

NAD **SERVICE**
MANUAL

MONITOR SERIES

2100

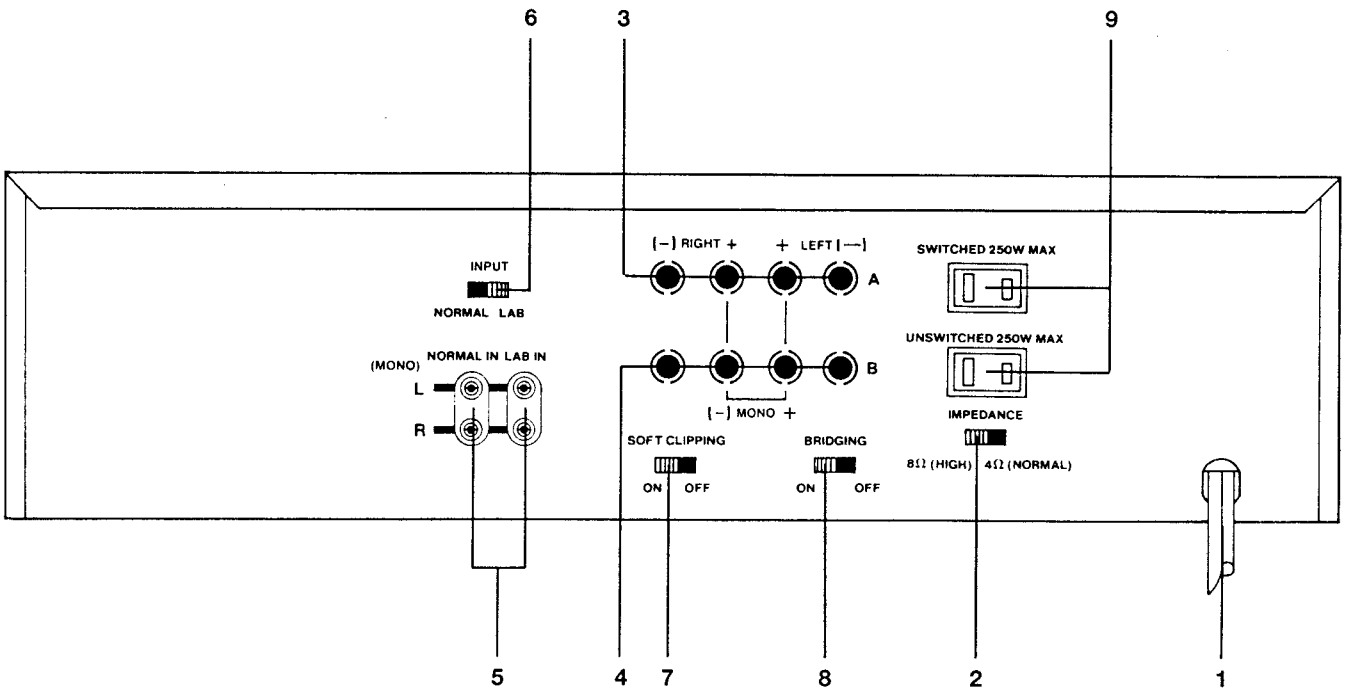
POWER AMPLIFIER

89

PAGE	CONTENTS
3	REAR / FRONT VIEW
4	SPECIFICATIONS
5	WIRING DIAGRAM
6	AMPLIFIER ADJUSTMENT
7-8	PCB LAYOUT
9-10	SCHEMATIC DIAGRAM
11	DIFFERENT PARTS
12-13	ELECTRICAL PARTS
14	EXPLODED VIEW
15	EXPLODED PARTS
16	PACKING DIAGRAM

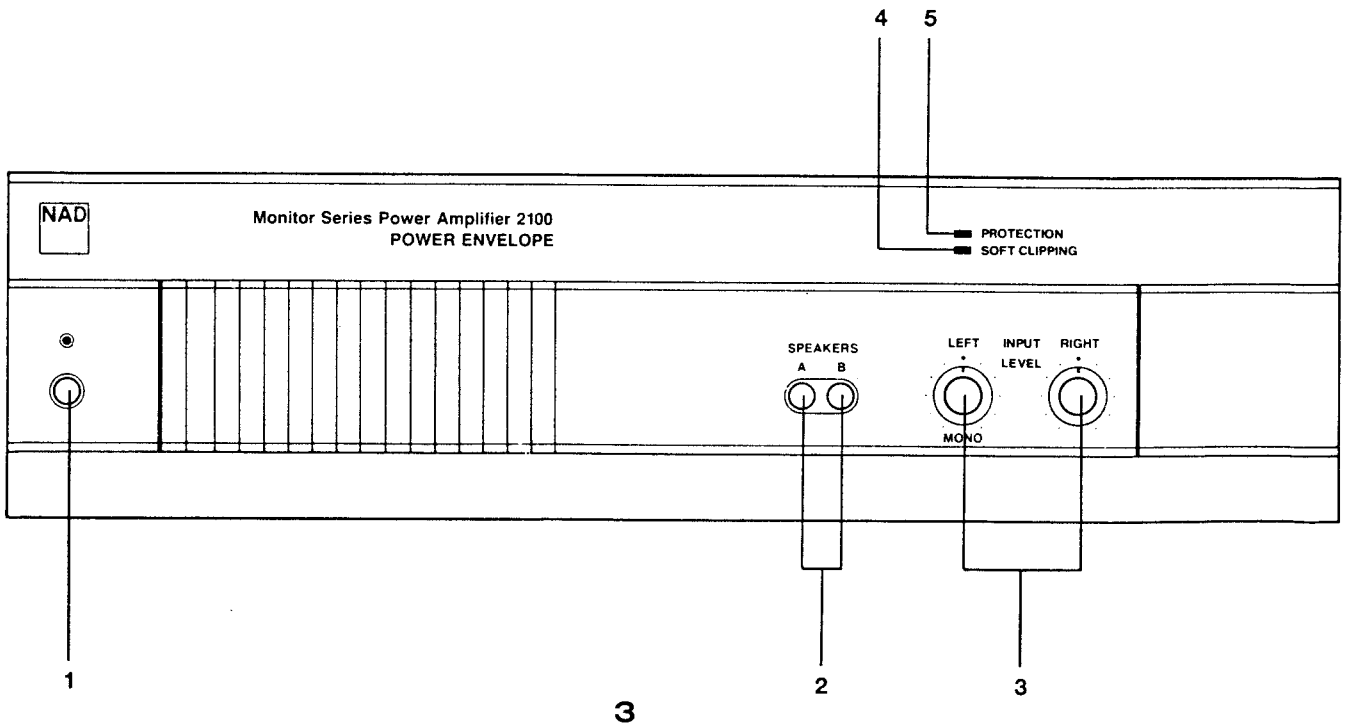
REAR PANEL

- 1. AC Line Cord.
- 2. Impedance Selector.
- 3. Speakers A.
- 4. Speakers B.
- 5. Inputs (Normal and Lab).
- 6. Lab/Normal Selector.
- 7. Soft Clipping.
- 8. Bridging.
- 9. AC Outlets.



FRONT PANEL

- 1. Power.
- 2. Speaker Selector.
- 3. Input Level.
- 4. Soft Clipping Indicator.
- 5. Protection Indicator.



SPECIFICATIONS

Measured in accordance with EIA Standard RS-490(IHF A-202). Measurements referred to 8 ohm are taken with the Speaker Impedance selector set at 8 ohms (High). Measurements for 4 and 2 ohms are taken with impedance selector at 4 ohm (Normal).

NAD 2100 POWER AMPLIFIERS

STEREO MODE :

CONTINUOUS AVERAGE POWER OUTPUT INTO 8 OHMS (Min. RMS power per channel, 20Hz- 20kHz, both channels driven, with no more than the rated distortion)		50 W(17 dBW)
Rated distortion (THD, 20 Hz-20 kHz)		0.03%
Clipping power, (maximum continuous power per channel)		70 W
IHF Dynamic Headroom at 8 ohms		+6 dB
IHF Dynamic Power (maximum short-term power per channel)	8 ohms 4 ohms 2 ohms	200 W(23 dBW) 250 W(24 dBW) 330 W(25 dBW)
Slew factor		>50
Slew rate		35V/usec
Damping factor(ref. 8 ohms. 50 Hz)		100
Input impedance		R=20 kohm C=600pf
Input sensitivity	for 1 Watt for rated power	120 mV 0.85V
Voltage Gain		23x(27 dB)
Frequency Response, LAB Input		3 Hz to 100kHz +0, -3 dB
Infrasonic Filter, NORMAL Input		-3 dB at 10Hz, 12 dB/octave
Ultrasonic Filter, NORMAL Input		-3 dB at 60kHz, 12 dB/octave
Signal/Noise Ratio. A-weighted		100 dB ref. 1W 117 dB ref. rated power
THD(Total Harmonic Distortion, 20Hz-20kHz, from 250mW to rated output)		<0.03%
SMPTE I.M.(Intermodulation Distortion, 60Hz + 7kHz, 4:1, from 250mW to rated output)		<0.03%
IHF I.M. (CCIF IM Distortion, 19 + 20 kHz at rated output)		<0.03%

BRIDGED (MONOPHONIC) MODE :

CONTINUOUS AVERAGE POWER OUTPUT INTO 8 OHMS (Min. RMS power per channel, 20Hz- 20kHz, channels driven, with no more than the rated distortion)		150W(21.7 dBW)*
IHF Dynamic Headroom at 8 ohms		+6 dB
IHF Dynamic Power (maximum short-term power per channel)	8 ohms 4 ohms	500 W(27 dBW) 660 W(28 dBW)

*In some countries local regulations require that bridged 8 ohm power be measured with the speaker impedance switch in the 4 ohm position resulting in bridged RMS outputs of 100 W(20 dBW).

PHYSICAL SPECIFICATIONS

Width x Height x Depth	43.5 x 10.8 x 38.1 cm. 17.1 x 4.25 x 15 in.
Net Weight	9.52 kg(21 lbs).
Shipping Weight	10.88 kg(25 lbs).
Power Consumption	50/60 Hz at 110,120, 220, or 240 VAC/220 VA.

Specifications are those in effect at the time of printing. NAD reserves the right to change specifications or designs at any time without notice.

MAIN AMPLIFIER ADJUSTMENT

IMPORTANT NOTES:

- 1) Before adjusting, remove input signal and load, and set Speaker impedance switch to 8 ohms (reset to 4 ohms when finished).
- 2) These adjustments are always necessary after repair to main amplifier.
- 3) After repair, it is recommended to use current limiter (70-100W lightbulb) in mains line, for initial turn-on.

A. CENTER VOLTAGE CHECK

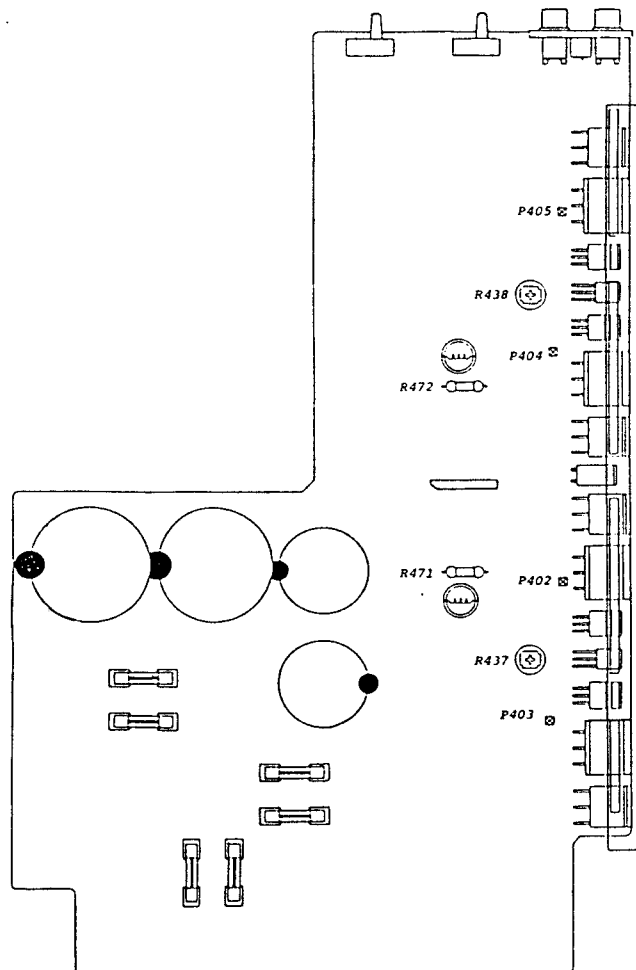
1. Connect DMM between Ground and R-471 (L channel)(R-472, R channel)(amplifier output).
2. Turn on, and read voltage. Specification $0V \pm 100mVDC$.

B. IDLE CURRENT ADJUSTMENT

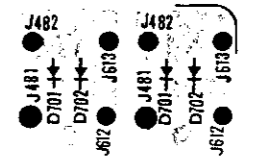
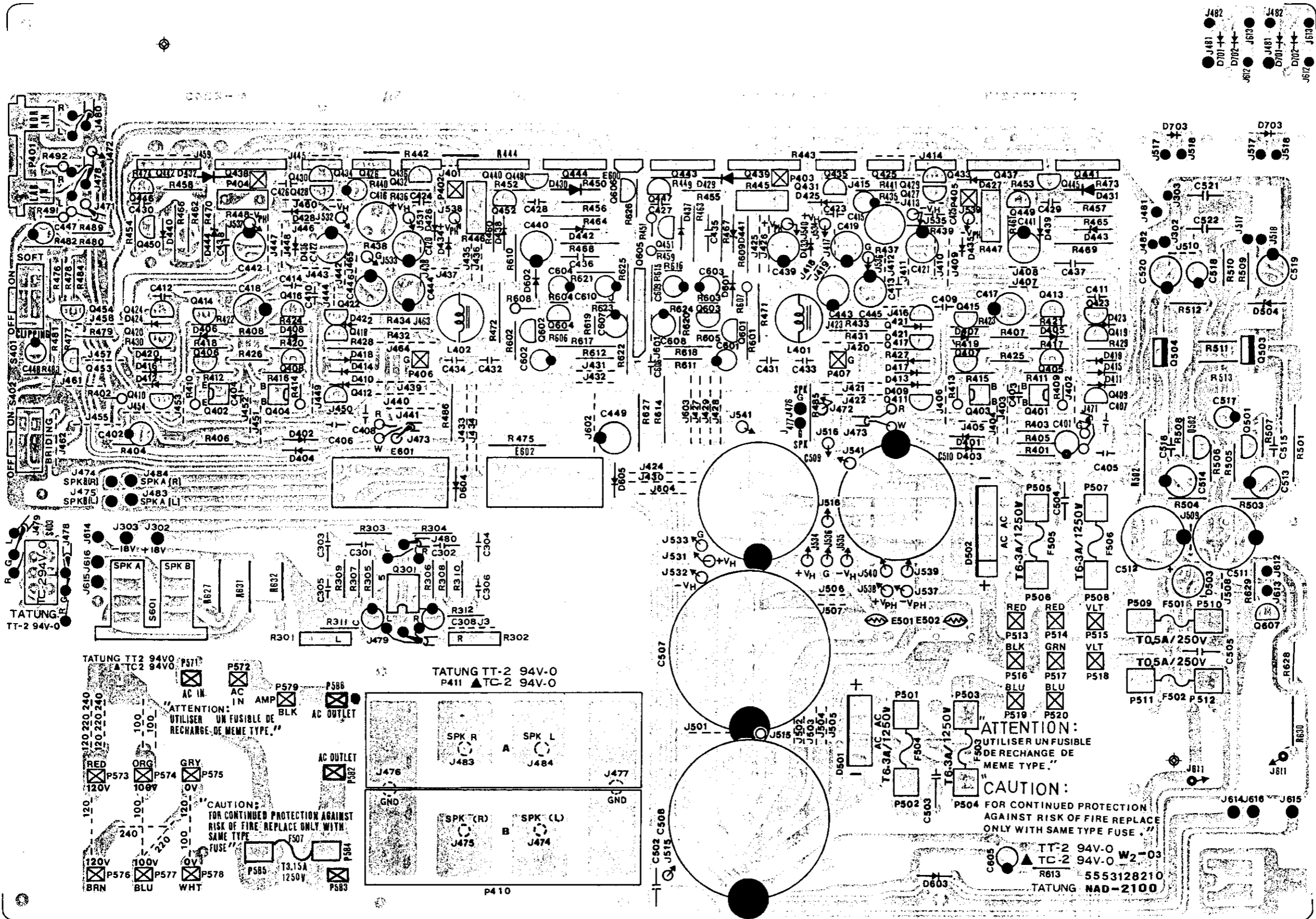
1. Connect DMM across P-402(+) and P-403(-), and adjust R-437 for reading of $15mV \pm 2.5mVDC$.
2. Repeat, using P-404(+) and P-405(-), adjust R-438.

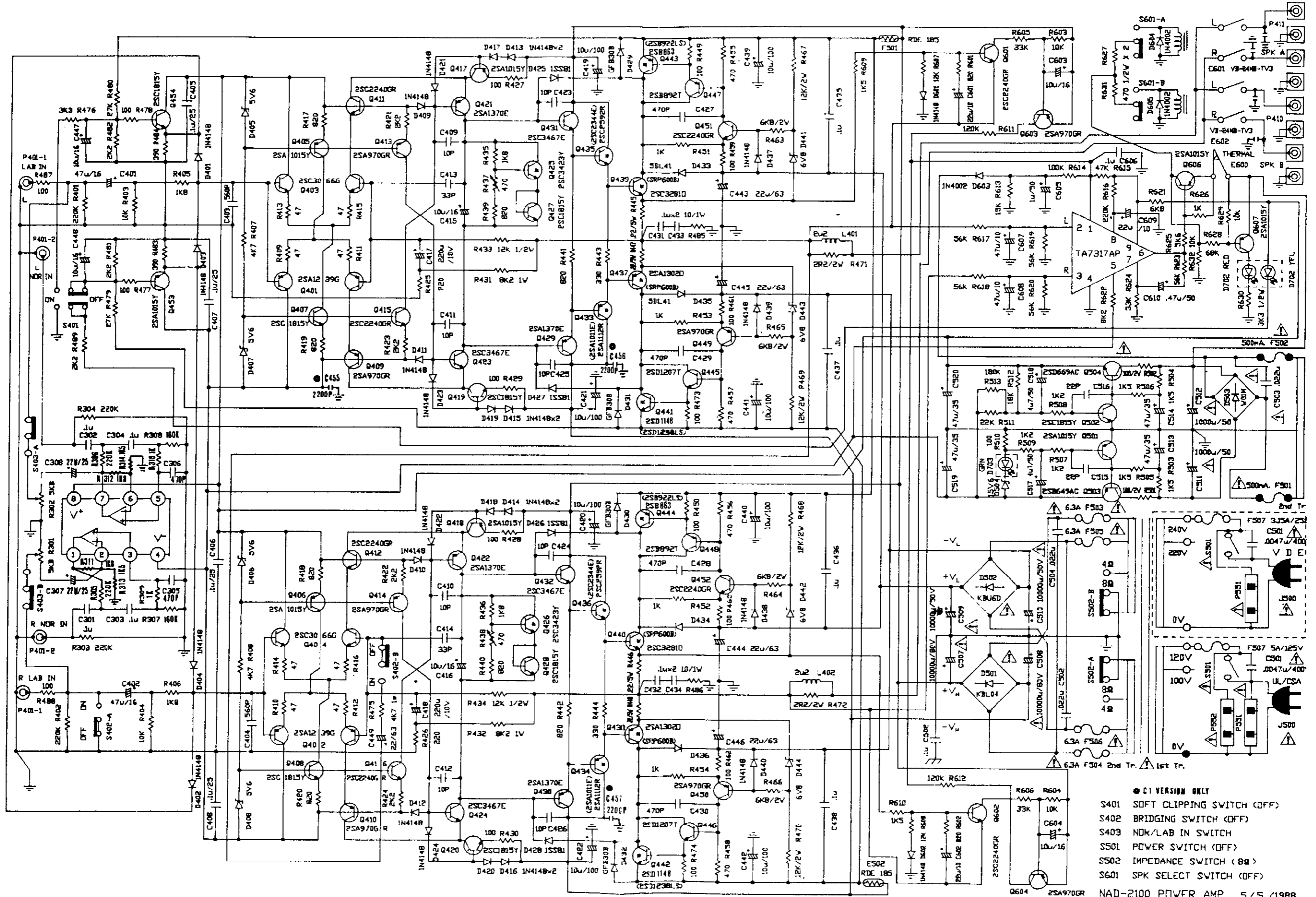
C. FINAL ADJUSTMENT

1. Leave power on minimum 5 minutes.
2. Repeat center voltage check and idle current adjustments.



PCB LAYOUT





- C1 VERSION ONLY
- S401 SOFT CLIPPING SWITCH (OFF)
- S402 BRIDGING SWITCH (OFF)
- S403 NDK/LAB IN SWITCH
- S501 POWER SWITCH (OFF)
- S502 IMPEDANCE SWITCH (8Ω)
- S601 SPK SELECT SWITCH (OFF)

NAD-2100 DIFFERENT PARTS LIST (A1 REF.)

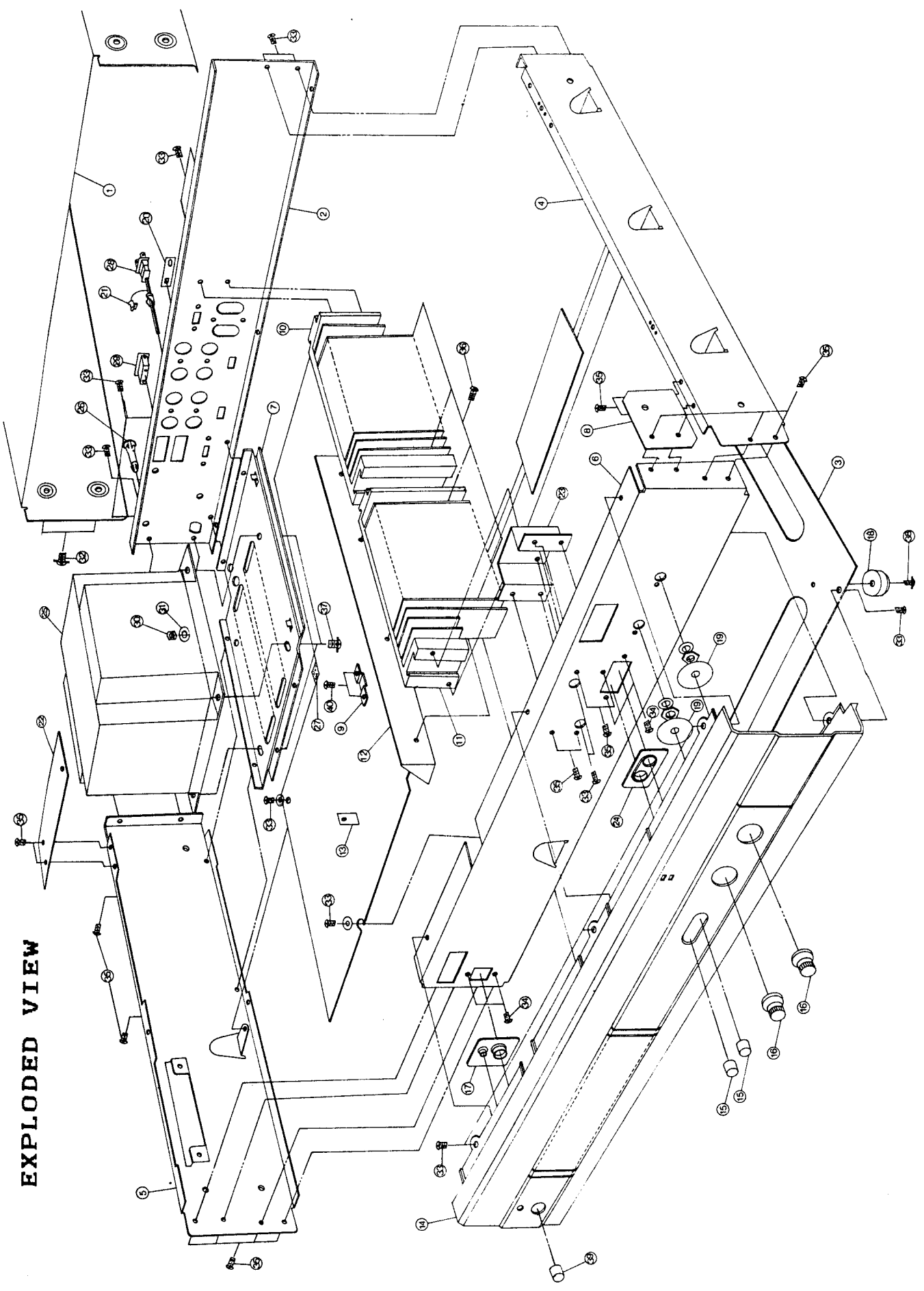
PARTS NO.	DESCRIPTION	SPECIFICATION	A1	A	B	B1	C	C1	UM
5090106023	PACKING ASS'Y	NAD-2100-46	1						PC
5090106034	PACKING ASS'Y	NAD-2100-A		1					PC
5090106035	PACKING ASS'Y	NAD-2100-B			1				PC
5090106036	PACKING ASS'Y	NAD-2100-B1				1			PC
5090106037	PACKING ASS'Y	NAD-2100-C					1		PC
5090106038	PACKING ASS'Y	NAD-2100-C1						1	PC
5090306023	CHASSIS ASS'Y	NAD-2100-46	1						PC
5090306034	CHASSIS ASS'Y	NAD-2100-A		1					PC
5090306035	CHASSIS ASS'Y	NAD-2100-B			1				PC
5090306036	CHASSIS ASS'Y	NAD-2100-B1				1			PC
5090306037	CHASSIS ASS'Y	NAD-2100-C					1		PC
5090306038	CHASSIS ASS'Y	NAD-2100-C1						1	PC
5090406029	PCB ASS'Y	NAD-2100-46	1	1					PC
5090406043	PCB ASS'Y	NAD-2100-B			1	1			PC
5090406044	PCB ASS'Y	NAD-2100-C					1		PC
5090406045	PCB ASS'Y	NAD-2100-C1						1	PC
5090906076	MAIN PCB BLOCK	NAD-2100-46	1	1					PC
5090906078	SPEAKER JACK PCB BLOCK	NAD-2100-46	1	1	1	1			1 PC
5090906092	POWER TERMINAL	NAD-2100-46	1	1					PC
5090906111	MAIN PCB BLOCK	NAD-2100-B			1	1	1		1 PC
5090906112	POWER TERMINAL PCB BLOCK	NAD-2100-B			1	1			PC
5090906113	SPEAKER JACK PCB BLOCK	NAD-2100-C					1		PC
5090906114	POWER TERMINAL PCB BLOCK	NAD-2100-C					1		1 PC
5231510201	CAPACITOR,CERAMIC	TS-PV-C032C DC 50V 1000PF							4 PC
5231522201	CAPACITOR,CERAMIC	TS-PV-C032C DC 50V 2200PF			2	2	2		3 PC
5535203600	MARRANTY CARD	NAD-3220/7220			1				PC
5535203700	MARRANTY CARD(A1)	NAD-3220/7220	1						PC
5535444900	SPEC. LABEL	120V UL-1 A		3					PC
5535444910	SPEC. LABEL	120V UL-1 A1	3						PC
5535444920	SPE. LABLE	240V BS B			3				PC
5535444930	SPEC. LABEL	240V SA-2 B1				3			PC
5535444940	SPEC. LABEL	220V CEE-2 C					3		PC
5535444950	SPEC. LABEL	220V CEE-2 C1						3	3 PC
5535447800	SAFETY INSTRUCTION	NAD-USA	1						PC
5535448400	LABEL , CAUTION	UL	2						PC
5547034400	FLAT PIN 1.7 x 1.7 x 9.4	NAD-7100/2100, K-4683	10	10	12	12	12	12	12 PC
5554303401	FUSE 5.2*20 UL/CSA	125V, 6.3A	4	4					PC
5554306500	FUSE 5.2*20	T51 250V 500MA SEMKO			2	2	2		2 PC
5554306501	FUSE UL & CSA 5.2*20	250V 500MA	2	2					PC
5554307300	FUSE SEMKO 5.2*20p 5ST	250V 3.15A TIME LAG			1	1	1		1 PC
5554307501	FUSE UL/CSA 5.2*20 5MT5	125V 5A MEDIUM BLOW	1	1					PC
5554307600	FUSE 5.2*20 (TINE LAG)	250V 6.3A SEMKO			4	4	4		4 PC
5556205420	SPEAKER TERMINAL	SO-6249	2	2	2	2			2 PC
5556205430	SPEAKER TERMINAL	SO-6250 (UL)					2		PC
5556308320	AC OUTLET (PLOARIZED)	S-I6519-02#01/MJC-030	2	2					PC
5556311400	AC SOCKET	S-I6536#01			1	1	1		1 PC
5556700131	AC POWER CORD W/PLUG BLK (VDE)	PL-21 42/0.15*2C*1.8M					1		1 PC
5556701310	POWER CORD BLK GTBS-2F 0.75MM2	24/0.2*2C*2M (BS)			1				PC
5556702011	AC POWER CORD W/PLUG BLK (SAA)	SAA 42/0.15*2C*1.8M					1		PC
5556702130	AC POWER W/PLUG PL. BLK UL/CSA	SPT-2 41/0.16*2C*1.8M	1	1					PC
6101006000	WIRE,TIN COATED SOFT COPPER	0.6 mm	5.1	5.1	5.04	5.04	5.04	5.04	M
6140071900	WIRE,PVC DOUBLE-LAYER,BLACK	22AWG 17/0.16 UL1617			0.59	0.59	0.59	0.59	M
6140071922	WIRE,PVC DOUBLE-LAYER,RED	22AWG 17/0.16 UL1617			0.58	0.58	0.58	0.58	M
6140071933	WIRE,PVC DOUBLE-LAYER,ORN	22AWG 17/0.16 UL1617			0.46	0.46	0.46	0.46	M
6176560600	WIRE,PVC (COATING)UL,CSA BLK	600V 5A 7/0.26 T=105	0.71	0.71					M
6176560602	WIRE,PVC (COATING)UL,CSA RED	600V 5A 7/0.26 T=105	0.58	0.58					M
6176560603	WIRE,PVC (COATING)UL,CSA ORN	600V 5A 7/0.26 T=105	0.46	0.46					M
6615005734	DI ZEN UZ-5.6B-M UNI	5.4-5.8V 0.5W TAPING 26MM	4	4					PC
6615009757	DI ZEN HZ6-A-3 HIT	0.5W 5.4-5.7V TAPING 52M			4	4	4		4 PC
6707020100	PVC TUBE (BLACK)							.042	M

NAD-2100 PARTS LIST : A1

PARTS NO.	DESCRIPTION	SPECIFICATION	SYMBOL NO.	QTY	UN	PARTS NO.	DESCRIPTION	SPECIFICATION	SYMBOL NO.	QTY	UN	
5090106023	PACKING ASS'Y (PARENT BLOCK)	NAD-2100-46		1	pcs	5213647891	CAP., ELECTROLYTIC	CE04W 50V 0.47MFU T	CS10,	1	pcs	
5535444850	SERIAL LABEL	NAD-7100	1P01, 1P02	2	pcs	6613003030	DIODE, SWITCHING TAPING 52	1N4148	D401-404, 409-424, 601,	25	pcs	
9520680155	EPS PAD-L NAD-7100	445* 178* 106 SGO.018	1P03	1	pcs	6615005734	DI ZEN UZ-5.6B-M UNI	5.4-5.8V 0.5W TAPING 26MM	D405-408,	4	pcs	
9520680255	EPS PAD-R NAD-7100	445* 178* 106 SGO.018	1P04	1	pcs	6615009757	DI ZEN HZ6-A-3 HIT	0.5W 5.4-5.7V TAPING 52M	D405-408,	4	pcs	
9510680155	RS CARTON NAD-2100, M-030935	E 198* 536* 455WDS18.0	1P07	1	pcs	6613007131	DI SMI ISS81 HIT	200V 1A TAPING 52M	D425-428	4	pcs	
9510686155	RS CARTON NAD-2100	E 454* 556* 475 WDS18.0	1P08	1	pcs	6611031040	DI REC GFS308 SYO	100V 3A SWITCHING T=52MM	D429-432	4	pcs	
9554100400	PE BAG	0.04* 250* 100	1P07	1	pcs	6611031200	DI REC SRP608 GIT	100V 6A	D433-436	4	pcs	
9554130900	PE BAG	0.04* 325* 225	1P08	1	pcs	6615007264	DI ZEN HZ-7B-1 HIT	6.7V-7.0V 0.5W TAPING 52	D441-444	4	pcs	
9530520155	PRINT PE BAG, NAD-3020E	0.04* 600* 525	1P09	1	pcs	6611007004	DI REC KBL04 GIT	400V 4A BRIDGE	D501	1	pcs	
9530680155	EPE BAG NAD-7100	1* 45* 440* 105	1P10	1	pcs	6611029701	DI REC W01M GIT	200V 1.5A BRIDGE	D503	1	pcs	
5535444910	SPEC. LABEL	120V UL-1 A1	1P12-1P14	3	pcs	6615005246	DIODE ZENER HIT	HZ16-1 15.3-15.9V 0.5W T	D504	1	pcs	
5535203700	WARRANTY CARD(A1)	NAD-3220/7220	1P15	1	pcs	6611007230	DIODE, RECTIFIER TAPING	1N4002 100V 1A	D603-605	3	pcs	
5535121940	OWNERS MANUAL	NAD-2100	Y500	1	pcs	5554432500	PTC SWITCH (50V/40A)	RDE185A	E501, 502	2	pcs	
5090306023	CHASSIS ASS'Y (PARENT BLOCK)	NAD-2100-46		1	pcs	5554435100	THERMAL PROTECT SWITCH	VB-248B-TV3	E501, 502	1	pcs	
5535444850	SERIAL LABEL	NAD-7100	2B01	1	pcs	5554501900	RELAY	250V 60mA	F501, 502	2	pcs	
5535447600	R.O.C. LABEL	NAD-SERIES	2B02	1	pcs	5554306501	FUSE UL & CSA 5.2*20	250V 5.0A	F503-506	4	pcs	
5541539000	RUSH KNOB	NAD-2100	3F01	1	pcs	6101006000	WIRE, TIN COATED SOFT COPPER	0.6MM	J401-465, 501-510,	4.74	M	
5541537500	CONTROL KNOB	NAD-7100	3F02, 3F03	2	pcs	6173312806	WIRE, SHIELD UL-1533	SRPVC 2# 7/0.12	J471	0.34	M	
5541537400	KNOB HOLDER	NAD-7100	3F04, 3F05	2	pcs	6130003533	WIRE, PVC ORANGE	24AWG 7/0.2 ATC UL1007	J472	0.26	M	
5541537700	FUSH BUTTON	NAD-7100	3F07, 3F08	2	pcs	6179302808	WIRE, TWIN SHIELD UL-2547	GRY SRPVC 300V 2# 7/0.12	J473, 478	0.335	M	
5547132300	BACK PLATE	NAD-2100	5B01	1	pcs	6179302806	WIRE, TWIN SHIELD UL-2547	BLU SRPVC 300V 2# 7/0.12	J479	0.685	M	
5556200800	LIG	3.1MM	5B02	1	pcs	6130003599	WIRE, PVC WHITE	24AWG 7/0.2 ATC UL1007	J481	0.66	M	
5547131100	TRIS. PLATE	NAD-7100	5C01	1	pcs	5130003522	WIRE, PVC RED	24AWG 7/0.2 ATC UL1007	J482	0.39	M	
5545307800	HEAT SINK (A)	NAD-7100	5C03	1	pcs	6130003500	WIRE, PVC BLACK	24AWG 7/0.2 ATC UL1007	J515	0.09	M	
5545307810	HEAT SINK (B)	NAD-7100	5C04	1	pcs	6130005400	WIRE, PVC BLACK	20AWG 7/0.32 UL1007	J516	0.05	M	
5547024210	HEAT SINK	NAD-7220/3220	5C06, 5C07	2	pcs	6130003577	WIRE, PVC PURPLE	24AWG 7/0.2 ATC UL1007	J517	0.37	M	
5547034100	HEAT SINK BRACKET	NAD-2100	5C08	1	pcs	6130003555	WIRE, PVC GREEN	24AWG 7/0.2 ATC UL1007	J518	0.37	M	
5546323400	TRANSISTOR RING	NAD-7100	5C11	1	pcs	6177341702	WIRE, STRANDED 1007 TR-64	RED PVC 300V 22# 17/0.16	J531	0.185	M	
5541002400	TOP COVER	NAD-2100	5F01	1	pcs	6177341703	WIRE, STRANDED 1007 TR-64	GRN PVC 300V 22# 17/0.16	J532	0.19	M	
5547033800	BRACKET PLATE (R)	NAD-7100	5F04	1	pcs	6177341700	WIRE, STRANDED 1007 TR-64	BLK PVC 300V 22# 17/0.16	J533	0.18	M	
5547131600	PLATE (L)	NAD-7100	5F02	1	pcs	6177341702	WIRE, STRANDED 1007 TR-64	RED PVC 300V 22# 17/0.16	J534	0.18	M	
5547131700	PLATE (R)	NAD-7100	5F05	1	pcs	6177341703	WIRE, STRANDED 1007 TR-64	GRN PVC 300V 22# 17/0.16	J535	0.155	M	
5547131800	CHASSIS	NAD-7100	5S01	1	pcs	6177341700	WIRE, STRANDED 1007 TR-64	BLK PVC 300V 22# 17/0.16	J536	0.16	M	
5547132000	FRONT BRACKET	NAD-7100	5F03	1	pcs	6177341701	WIRE, STRANDED 1007 TR-64	BRN PVC 300V 22# 17/0.16	J538	0.235	M	
5535445000	INSPECTION LABEL	NAD-SERIES	5S02	1	pcs	6177341708	WIRE, STRANDED 1007 TR-64	GRY PVC 300V 22# 17/0.16	J537	0.25	M	
5547501200	BUSHING, POWER COORD	SR-4P-4	6B01	1	pcs	6177341703	WIRE, STRANDED 1007 TR-64	GRN PVC 300V 22# 17/0.16	J536	0.16	M	
5547528400	PLATE, SWITCH LOCK (PVC)	NAD-310/710	6B02	1	pcs	6177341708	WIRE, STRANDED 1007 TR-64	GRY PVC 300V 22# 17/0.16	J537	0.25	M	
5542223300	HOLDER-PCB	NAD-3220	6B03-6B05	3	pcs	6177341701	WIRE, STRANDED 1007 TR-64	BRN PVC 300V 22# 17/0.16	J538	0.235	M	
5547802120	FOOT	NAD-7100	6C01-6C04	4	pcs	6177341708	WIRE, STRANDED 1007 TR-64	GRY PVC 300V 22# 17/0.16	J537	0.25	M	
5545403700	SHIELD COVER	NAD-7100	6C07	1	pcs	6177341701	WIRE, STRANDED 1007 TR-64	BRN PVC 300V 22# 17/0.16	J538	0.235	M	
5541213400	FRONT PANEL	NAD-2100	6F01	1	pcs	6177341701	WIRE, STRANDED 1007 TR-64	BRN PVC 300V 22# 17/0.16	J538	0.235	M	
5542006100	HEMELON (S)	28 * 6.5MM	6F02, 6F03	2	pcs	6177341704	WIRE, STRANDED 1007 TR-64	YEL PVC 300V 22# 17/0.16	J541	0.07	M	
5547528600	PVC TUBE (BLACK)	D=30 x L=65mm	6F04	1	pcs	5130003511	WIRE, PVC BROWN	24AWG 7/0.2 ATC UL1007	J611	0.08	M	
5542226100	POWER BEZEL	NAD-7100	6F05	1	pcs	6130003544	WIRE, PVC YELLOW	24AWG 7/0.2 ATC UL1007	J612	0.47	M	
5542226700	BEZEL	NAD-2100	6F06	1	pcs	6130003588	WIRE, PVC GRAY	24AWG 7/0.2 ATC UL1007	J613	0.47	M	
7033161156	SCREW BFB M3*8 S-PC	C RUD 300B TS KC	7B01-7B17, 7B38-7B41	27	pcs	6130003599	WIRE, PVC WHITE	24AWG 7/0.2 ATC UL1007	J614	0.34	M	
7001120216	SCREW	C PAN M2.5*4 MS PC	7B18, 7B19	2	pcs	6130003544	WIRE, PVC YELLOW	24AWG 7/0.2 ATC UL1007	J615	0.36	M	
7001171116	SCREW ISO PP M3*8 S-PC	C PAN M3*8 MS PC	7B30, 7B31	2	pcs	6130003577	WIRE, PVC PURPLE	24AWG 7/0.2 ATC UL1007	J616	0.36	M	
7000305022	SCREW BTWB M3*10 S-AN-CC	M3*10 S-AN-CC	7B32-7B35	4	pcs	5562000800	SPRING COIL	J87SP14	L401, 402	2	pcs	
7033180652	SCREW BFB M3*6 S-ZN-CC	C RUD 300B TS ZN-CC	7C01-7C32	32	pcs	5562004600	4P SIGNAL JACK	NAD-7100	R400	1	pcs	
7001170612	SCREW ISO PP M3*6 S-ZN-CC	C PAN M3*6 MS ZN-CC	7F05, 7F06, 7T13, 7T14	4	pcs	5558209000	SQUARE PIN	1.1*1.1*16	P402-407, 513-520	14	pcs	
7190550003	SCREW ISO PPW M4*6 ZN-PC(BLK)	M4*6 (10*3.6*1 t)	7F07-7F12	6	pcs	5547032210	FUSE CLIP (5.2)	QC-203S	P601-512	12	pcs	
7001361452	SCREW BFB M3*10 S-ZN-CC	C PAN 3010 TS ZN-CC	7S20-7S23	4	pcs	6623011300	TR PNP 2SA1239G	SYO	VECD=120V PC=0.2W	Q401, 402	2	pcs
7003311122	SCREW ISO PPW M4*10 S-ZN-CC	M4*10 S-ZN-CC	7T01-7T04	4	pcs	6621034500	TR PNP 2SC3066G	SYO	VECD=120V PC=0.2W	Q403, 404	2	pcs
7076260012	NUT 4			4	pcs	6623002050	TR. PNP HF 2SA1015-VTPEZ TSB	TAPING 26MM	Q405, 406, 417, 418, 453	8	pcs	
7098250002	WASHER			1	pcs	6621015332	TR. NPN 2SC1815-VTPEZ TSB	TAPING 26MM	Q501, 606, 607	8	pcs	
5230102701	CAP., CERAMIC CK45 (KC)	400V 4700PFK	C501	1	pcs	6623005000	TRANSISTOR, PNP HF	2SA970-GR	Q409, 410, 413, 414, 449	8	pcs	
5532410700	SPACER			0.18	M	6621018701	TR. NPN HF 2SC2240-GR TSB	TOSHIBA, LOW NOISE	Q450, 603, 604	8	pcs	
6130005454	WIRE, PVC GREEN/YELLOW	20AWG 7/0.32 UL1007	J474	0.16	M	6623011530	TR PNP HF SYO	2SA1370E HFE=100-200T	Q421, 422, 429, 430	4	pcs	
6130005466	WIRE, PVC BLUE	20AWG 7/0.32 UL1007	J475	0.16	M	6621034400	TR PNP HF SYO	2SC3467E HFE=100-200 T	Q423, 424, 431, 432	4	pcs	
6130005400	WIRE, PVC BLACK	20AWG 7/0.32 UL1007	J476, J477	0.72	M	6621034600	TR PNP 2SC3423V TSB	VECD=150V PC=1.2W HFE=12	Q425, 426	2	pcs	
6130005444	WIRE, PVC YELLOW	20AWG 7/0.32 UL1007	J483	0.13	M	6623011800	TR PNP 2SA1011E SYO	-160V -1.5A M:15-313A B:MG433, 434	Q431, 432	2	pcs	
6130005422	WIRE, PVC RED	20AWG 7/0.32 UL1007	J484	0.15	M	6621035000	TR PNP HF 2SC2344E SYO	160V 1.5A M:15-313A B:M	Q435, 436	2	pcs	
5556702130	AC POWER W/PLUG PL. BLK UL/CSA	SPT-2 41/0.16*2C*1.8M	J500	1	pcs	6621031200	TR PNP 2SA1302-0 W/ACC TSB	VECD=200V IC=15AA 150M	Q437, 438	2	pcs	
6176560602	WIRE, PVC (COATING)UL, CSA RED	600V 5A 7/0.26 T=105	J551	0.12	M	6621034200	TR NPN 2SC3281-0W/ACC TSB	VECD=200V IC=15A PC=150M	Q439, 440	2	pcs	
6176560600	WIRE, PVC (COATING)UL, CSA BLK	600V 5A 7/0.26 T=105	J552	0.46	M	6621034900	TR PNP HF 2SC1238LS SYO	80V 12A M:15-20MA B:IC	Q441, 442	2	pcs	
6176560603	WIRE, PVC (COATING)UL, CSA GRN	600V 5A 7/0.26 T=105	J553	0.46	M	6624010800	TR PNP 2SB892LS SYO	-80V 12A M:IS-20MA B:IC	Q443, 444	2	pcs	
6176560600	WIRE, PVC (COATING)UL, CSA BLK	600V 5A 7/0.26 T=105	J554	0.46	M	6622019030	TR NPN 2SD1207T TAPING SYO	VECD=50V IC=2A PC=1W	Q445, 446	2	pcs	
6176560602	WIRE, PVC (COATING)UL, CSA RED	600V 5A 7/0.26 T=105	J555	0.46	M	6624010630	TR PNP 2SB892T TAPING SYO	VECD=50V IC=2A PC=1W	Q447, 448	2	pcs	
6176560600	WIRE, PVC (COATING)UL, CSA BLK	600V 5A 7/0.26 T=105	J556	0.45	M	6624009401	TR PNP 2SB649A-C HIT	VECD=160V PC=1W T0126	Q503	1	pcs	
5540100701	BINDER		J621-J628	8	pcs	6622012802	TR NPN FL 2SD669AC W/ACC HIT	VECD=160V PC=1W T0126	Q604	1	pcs	
5556308320	AC OUTLET (POLARIZED)	S-16519-02401	P551, 552	2	pcs	6644020800	IC TA-7317P TSB	PROTECTION CKT	Q605	1	pcs	
5540100200	WIRE CLAMP, WITH TUBE	K-1127	P621-623	3	pcs	5142822490	RES., CARBON FILM	1/4 W 22Kohm J B	R401, 402	2	pcs	
5554436300	POWER SWITCH, UL/CSA, VDE, TV-5	SP1P-B/D, SK-1221	S501	1	pcs	5142818290	RES., CARBON FILM	1/4 W 10kohm J B	R403, 404, 629	3	pcs	
5554432400	SLIDE SWITCH	SR22-09	S502	1	pcs	5142818290	RES., CARBON FILM	1/4 W 1.8Kohm J B	R405, 406, 435, 436	4	pcs	
5561317000	POWER TRANSFORMER (EI-96)	100/120/240V 50/60HZ	T501	1	pcs	5145847006	RES., CARBON FILM	1/4 W 47 ohm J2U	R409, 410, 413, 414	4	pcs	
5090406029	PCB ASS'Y	NAD-2100-46		1	pcs	5145847090	RES., CARBON FILM	1/4 W 47 ohm J B	R4			

PARTS NO.	DESCRIPTION	SPECIFICATION	SYMBOL NO.	QTY	UM
5142818490	RES., CARBON FILM	1/4 W 180Kohm J B	R513	1	pcs
5142110300	RES., CARBON FILM	1/6 W 10 Kohm J B	R603,604,	2	pcs
5142133300	RES., CARBON FILM	1/6 W 33Kohm J	R605,606,624	3	pcs
5142812390	RES., CARBON FILM	1/4 W 12Kohm J B	R507,608	2	pcs
5142812490	RES., CARBON FILM	1/4 W 120Kohm J B	R511,612	2	pcs
5142815390	RES., CARBON FILM	1/4 W 15Kohm J B	R613,	1	pcs
5142810490	RES., CARBON FILM	1/4 W 100Kohm J B	R614,	1	pcs
5142847390	RES., CARBON FILM	1/4 W 47Kohm J B	R615,	1	pcs
5142122400	RES., CARBON FILM	1/6 W 220Kohm J	R616,	1	pcs
5142856390	RES., CARBON FILM	1/4 W 56Kohm J B	R617,618	2	pcs
5142156300	RES., CARBON FILM	1/6 W 56Kohm J	R619,620,623	3	pcs
5142868290	RES., CARBON FILM	1/4 W 6.8Kohm J B	R621	1	pcs
5142882290	RES., CARBON FILM	1/4 W 8.2Kohm J B	R622	1	pcs
5142856290	RES., CARBON FILM	1/4 W 5.6Kohm J B	R625	1	pcs
5142868390	RES., CARBON FILM	1/4 W 68 Kohm J B	R628	1	pcs
5142433201	RES., CARBON FILM	1/2 W 3.3 Kohm J C	R630	1	pcs
5554431800	SLIDE SWITCH	FZUB22-10	S401,402	2	pcs
5090906077	LED PCB BLOCK	NAD-2100-46		1	pcs
7033161156	SCREW BRB M3x8 S-PC	C RUD 300B TS RC	7S15-7S17	3	pcs
6618009400	LED,LAMP	2*5MM YELLOW DIFFUSED	D701,	1	pcs
6618009100	LED,LAMP	2*5MM RED DIFFUSED	D702	1	pcs
5090906078	SPEAKER JACK PCB BLOCK	NAD-2100-46		2	pcs
5556205420	SPEAKER TERMINAL	SO-6249	F411,410	1	pcs
5090906079	NOR/LAB SWITCH PCB BLOCK	NAD-2100-46		1	pcs
5554431610	SLIDE SWITCH	SSSB022NB1-NB1-TT	S403	1	pcs
5090906090	LEVEL PCB BLOCK	NAD-2100-46		1	pcs
5222110491	CAP., PLOYESTER (MINI)	CG92M 50V 0.1MFJ T	C301-304	4	pcs
5247112191	CAP., CERAMIC CC45	50V 120PFK T	C305,306	2	pcs
5213347091	CAP., ELBCTHOLYNTIC	CE04W 16V 47MFT	C307,308	2	pcs
6130003566	WIRE,PVC BLUE	24AWG 7/0.2 ATC UL1107	J301	0.11	M
6130003544	WIRE,PVC YELLOW	24AWG 7/0.2 ATC UL1107	J302	0.11	M
6644066600	IC LIN NUM2043D JRC	LIN PRE AMP #2 DIP 8	Q301	1	pcs
5169010473	RES.,VR.,SK-1216	RK16311R668-5WB	R301,302	2	pcs
5142822490	RES., CARBON FILM	1/4 W 220Kohm J B	R303,304,307,308	4	pcs
5142882390	RES., CARBON FILM	1/4 W 82Kohm J B	R305,306	2	pcs
5142847190	RES., CARBON FILM	1/4 W 470ohm J B	R309,310	2	pcs
5142810190	RES., CARBON FILM	1/4 W 100ohm J B	R311,312	2	pcs
5142447101	RES., CARBON FILM	1/2 W 470 ohm J C	R627,631	2	pcs
5554432100	2P PUSH SWITCH	SPUB21AE08-TT	S601	1	pcs
5090906091	POWER DISPLAY PCB BLOCK	NAD-2100-46		1	pcs
6618017300	DI LED EL103GD ELT	TOWER 2mm DIA GRN	D703	1	pcs
5090906092	POWER TERMINAL	NAD-2100-46		1	pcs
5554306501	FUSE UL & CSA 5.2*20	250V 5A, M1234	F507	1	pcs
6101006000	WIRE,TIN COATED SOFT COPPER	0.6MM	J571-574	0.24	M
5547034400	FLAT PIN 1.7 x 1.7 x 9.4	NAD-7100/2100, K-4683	P572-583	10	pcs

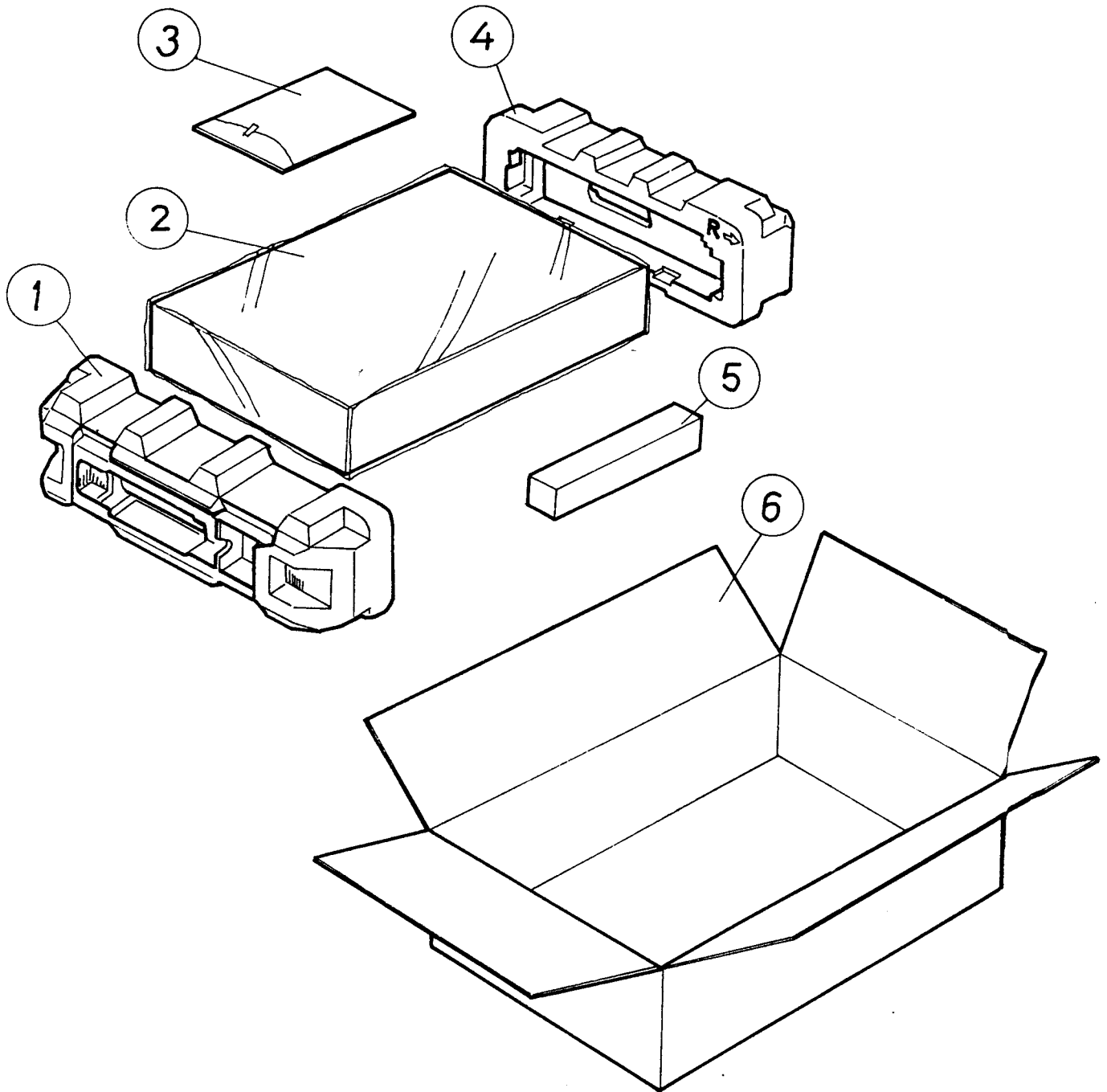
VERSION	VOLTAGE	COUNTRY
A	120 V	Canada.
A1	120 V	U.S.A.,Taiwen, Saudi Arabia.
A2	120 V/220 V Wire/With Adaptor	Germany Police.
B	240 V	U.K., South Africa.
B1	240 V	Australia.
C	220 V	Denmark, France, Finland, Greece, Hongkong, Israel, Thailand, Singapore, Iceland, Italy, New Zealand, Norway, Netherlands, Sweden, Switzerland, Spain.
C1	220 V	West Germany



EXPLODED VIEW

NAD-2100 EXPLODED PARTS LIST:			
ITEM	PARTS NO.	PARTS NAME	Q'TY
1	5541002400	TOP COVER	1
2	5547132300	BACK PLATE	1
3	5547131800	CHASSIS	1
4	5547131700	RIGHT PLATE	1
5	5547131600	LEFT PLATE	1
6	5547132000	FRONT BRACKET	1
7	5547131100	TRS. PLATE	1
8	5547033800	RIGHT BRACKET PLATE	1
9	5547034000	THERMAL PROTECTOR HOLDER	1
10	5545307800	HEAT SINK (A)	1
11	5545307810	HEAT SINK (B)	1
12	5545307700	TRATSISTOR HOLDER	1
13	5547024210	HEAT SINK	2
14	5541213400	FRONT PANEL	1
15	5541539000	PUSH KNOB	2
16	5541537510	CONTROL KNOB	2
17	5542226100	POWER BEZEL	1
18	5547802120	FOOT	4
19	5542006100	HEMELON (S)	2
20	5547528400	PLATE, SWITCH LOCK (PVC)	1
21	5547501200	BUSHING POWER CORD	1
22	5545403700	SHIELD COVER	1
23	5547034100	HEAT SINK BRACKET	1
24	5542226700	BEZEL	1
25	5561317000	POWER TRANSFORMER (EI-96)	1
26	5547530400	HOLDER-PCB	4
27	5532410700	SPACER	1
28	5556702130	AC OUTLET (POLARIZED)	1
29	5556308320	AC POWER W/PLUG PL.BLK UL/CS	2
30	7076260012	NUT 4	4
31	7098250002	WASHER	4
32	7190550003	SCREW M4*6 MS	6
33	7033161156	SCREW RUD M3*8 TS	26
34	7001171116	SCREW PAN M3*8 MS	6
35	7033160652	SCREW RUD M3*6 TS	24
36	7031161452	SCREW PAN M3*10 TS	4
37	7000311122	RUD M4*10	4
38	7000305022	SCREW RUD M3*10 TS	4
39	5541539000	POWER PUSH KNOB	1
40	7033161452	SCREW RUD M3*10 TS	14

PACKING DIAGRAM



PACKING LIST FOR NAD-3100/NAD-2100

ITEM	PARTS NO.	NAME	QTY
1	9520680155	POLYLON L.	1
2	9530680155	EPE BAG	1
3	5535122011	OWNERS MANUAL	1
4	9520680255	POLYLON R.	1
5	9520685155	POLYLON BAR	1
6	9510680155	CARTON	1