

NAD **SERVICE**
MANUAL

MONITOR SERIES

1300

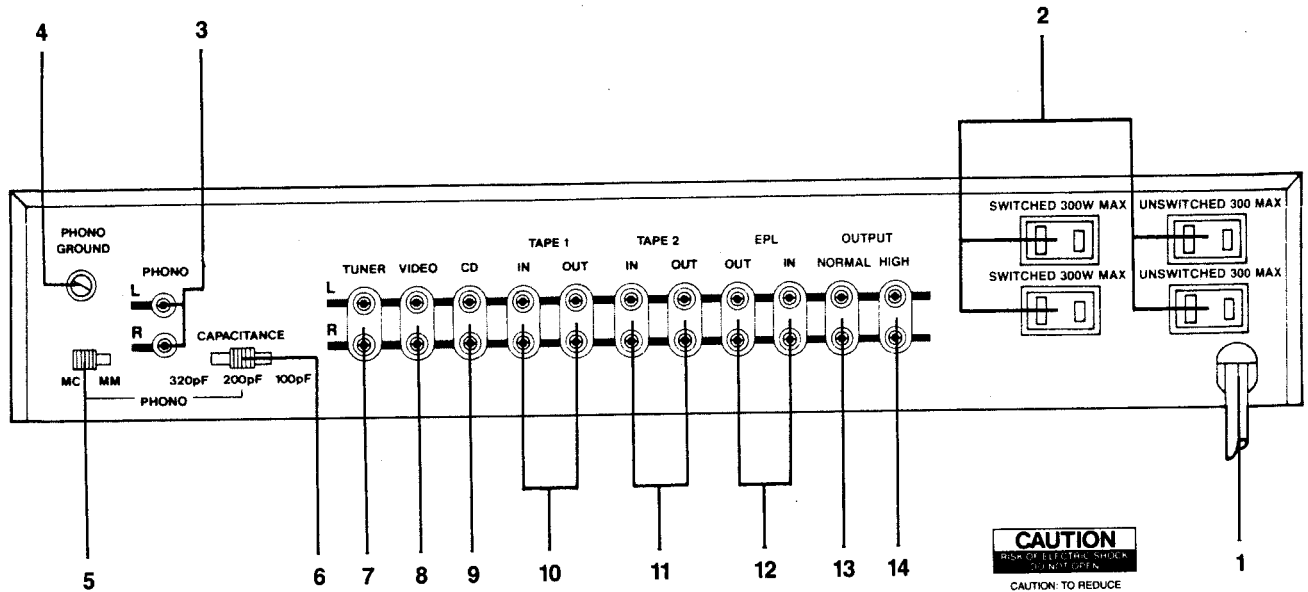
STEREO PREAMPLIFIER

CONTENTS
-1300-

REAR / FRONT PANEL CONNECTIONS	PAGE 3
SPECIFICATIONS	PAGE 4
EXPLODED VIEW, EXPLODED LIST	PAGE 5 - 6
SCHEMATIC DIAGRAM	PAGE 7 - 8
PCB LAYOUT AND COMPONENT LOCATION	PAGE 9 - 10
PARTS LIST	PAGE 11 - 13
PACKING DIAGRAM	PAGE 14

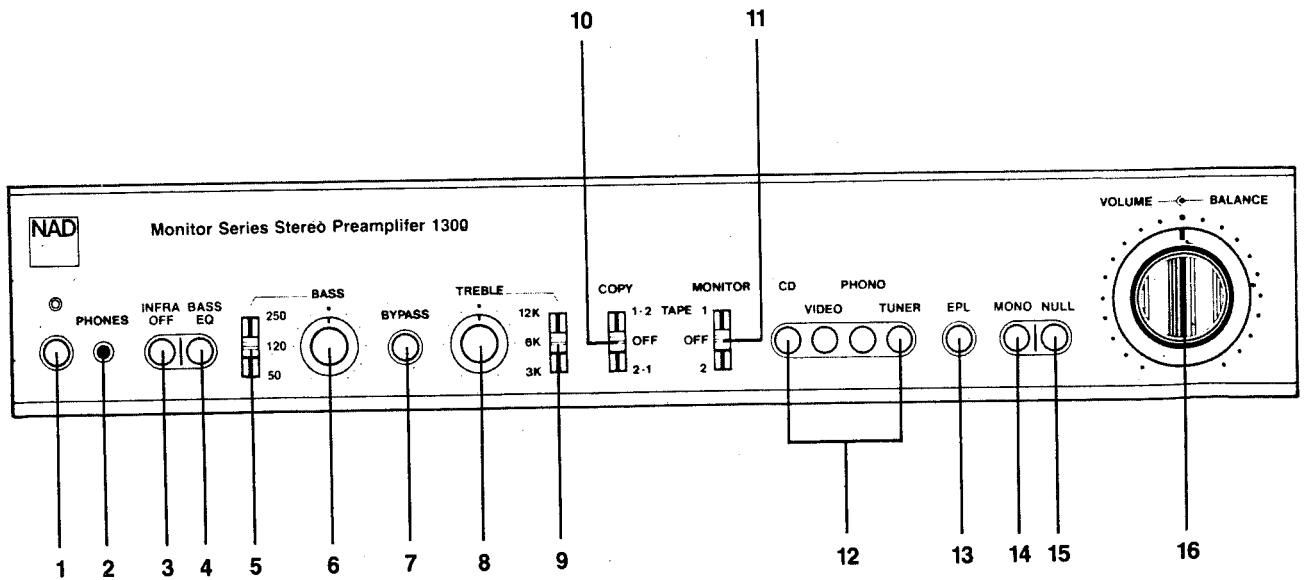
REAR PANEL

- | | | |
|------------------------------------|---------------------------------|--------------------------------------|
| 1. AC Line Cord. | 6. Phono Capacitance (MM only). | 11. Tape 2 Input/Output. |
| 2. AC Outlets (not in U.K. model). | 7. Tuner Input. | 12. External Processor Input/Output. |
| 3. Phono Input. | 8. Video Sound Input. | 13. Output (Normal). |
| 4. Phono Ground. | 9. CD Input. | 14. Output (High). |
| 5. MM/MC Selector. | 10. Tape 1 Input/Output. | |



FRONT PANEL

- | | | |
|---------------------------|-------------------------|-------------------------|
| 1. Power. | 7. Tone Control Bypass. | 13. External Processor. |
| 2. Phones. | 8. Treble. | 14. Mono. |
| 3. Infrasonic Filter Off. | 9. Treble Range. | 15. Null. |
| 4. Bass EQ. | 10. Tape Copy. | 16. Volume/Balance. |
| 5. Bass Range. | 11. Tape Monitor. | |
| 6. Bass. | 12. Input Selector. | |



Specifications

NAD 1300 Stereo PreAmplifier

Specifications are measured in accordance with EIA Standard RS-490 (IHF A-202). Measurements referred to the Normal output. Output level are 14 dB higher at the High output; for this output, divide the normal input sensitivity values by 4.5.

Phono Input

Input Impedance	MM	R=47Kohm, C=100/200/320 pF
	MC	R=100 ohm, C=1000 pF
Input Sensitivity	MM	1.3 mV
(1 KHz, 0.5V out)	MC	60uV
Input Overload at	MM	20/200/2000 mV
20Hz/1KHz/20KHz	MC	1.0/10/100 mV
Signal/Noise ratio,		
IHF A-weighted, with	MM	80 dB re 5 mV
cartridge connected	MC	78 dB re 0.5 mV
THD (20Hz-20KHz) and	MM	<0.02 % at +30 dB level
IM Distortion	MC	<0.02 % at +26 dB level
RIAA response accuracy		±0.3 dB

Line Level Inputs (Tuner, Type, CD, Video)

Input Impedance	R=100 Kohm, C=220 pF
Input Sensitivity(0.5V out)	80 mV
Maximum Input Signal	12 V
THD	0.01 %
Signal/Noise ratio, A-weighted	>100 dB re 0.5V out
	>110 dB re 2V
Frequency Response	20Hz-20KHz ±0.3 dB

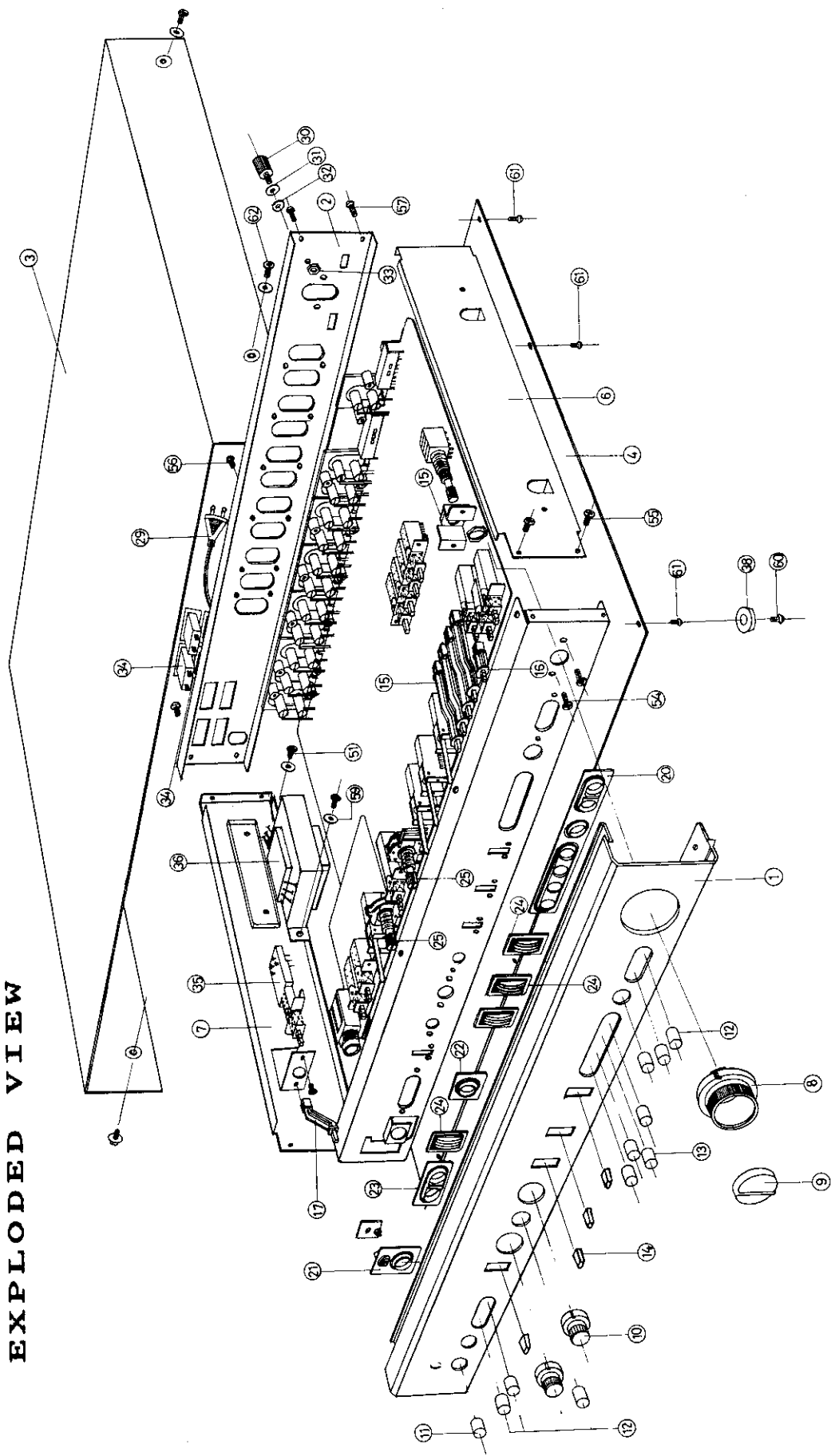
Outputs

Output Impedance	Tape or EPL	1000 ohms
	Normal	150 ohm
	High	150 ohm
	Phones	68 ohm (will drive all headphone impedances)
Maximum Output Level	Tape or EPL	12V
	Normal	12V
	High	12V into 600 ohm load
	Phones	12V into 600 ohm
		1V into 8 ohm
Tape Output Infrasonic Filter		-3 dB at 14Hz, 18 dB/octave
Controls		
Treble		±12 dB at 3, 6, or 12 kHz
Bass		±12 dB at 50, 120, or 250 Hz
Bass Equalization		±3 dB at 55 Hz
		+6 dB at 36 Hz
Infrasonic Filter (switchable)		-3 dB at 14 Hz
		18 dB/octave

Physical Specifications

Width x Height x Depth	43.5cm.x 7.5cm.x 25cm.
	17in.x 3in.x 10in.
Net Weight	4.3 kg (9lb. 8oz.)
Shipping Weight	5 kg (11 lb.)
Power Consumption	50/60 Hz at 110, 120, 220, or 240 VAC
	20W

EXPLODED VIEW

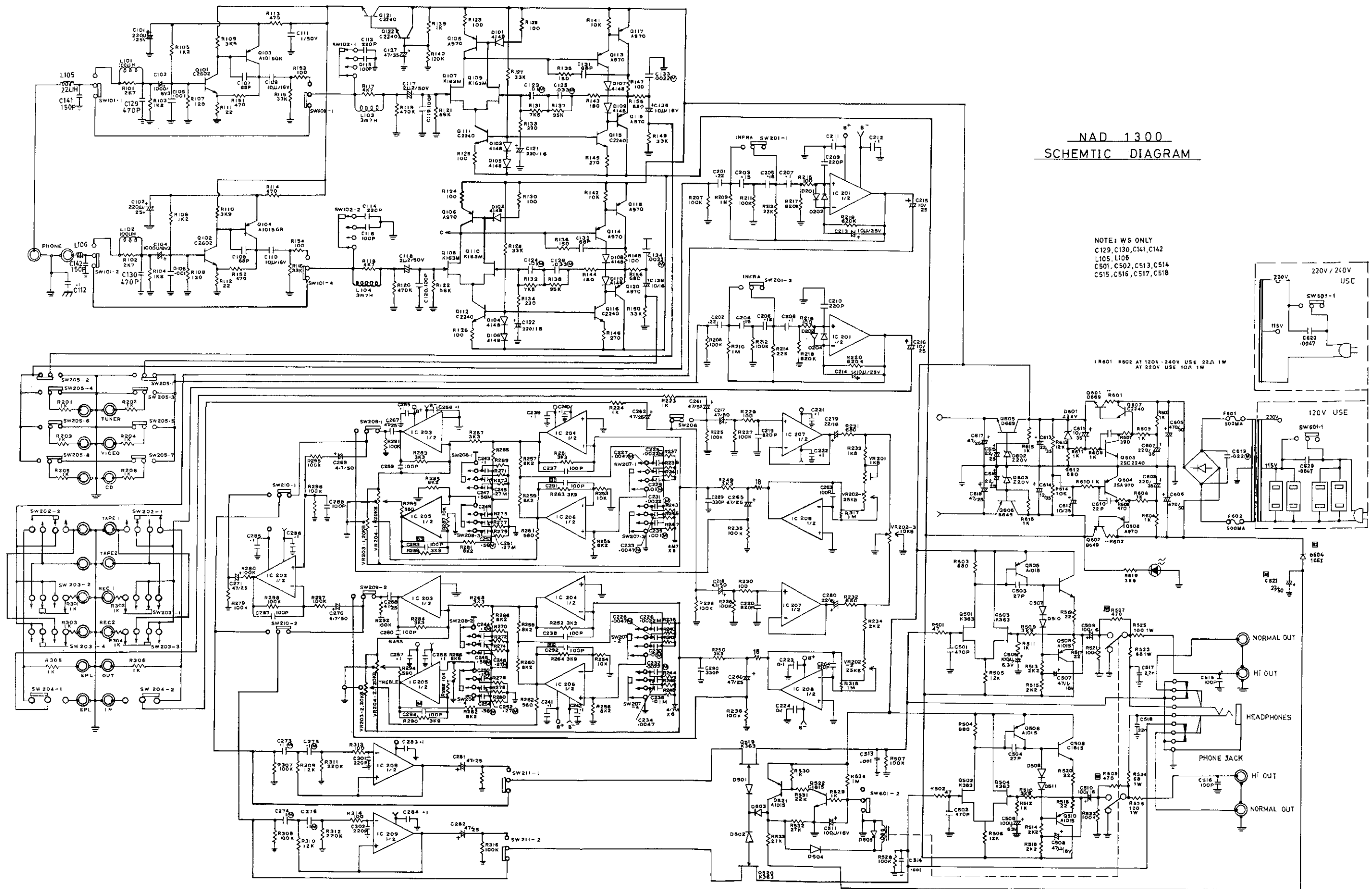


5

EXPLODED LIST

ITEM	PARTS NUMBER	DESCRIPTION	Q'TY
1	L702A038H01	PANEL-FRONT	1
2	L703B039H01	COVER-BACK	1
3	L703A004H01	COVER-TOP	1
4	L580B007H01	COVER-BOTTOM	1
5	L560B012H01	CHASSIS-MAIN	1
6	L547B031H01	FRAME-R	1
7	L547B030H01	FRAME-L	1
8	L704C030H01	KNOB-VOLUME	1
9	L704D108H01	KNOB-BALANCE	1
10	L704C031H11	KNOB-VR	2
11	L704D105H01	KNOB-POWER	1
12	L704D106H01	KNOB-PUSH	6
13	L704D106H11	KNOB-PUSH	4
14	L704D107H01	KNOB-LEVER	4
15	L547D043H01	HOLDER	1
16	L526D503H02	LINK-PUSH	1
17	L526D503H12	LINK-PUSH	1
18	L526D504H01	LINK	4
19	L576D014H01	SUPPORT-KNOB	1
20	L704C033H01	GUIDE-KNOB	1
21	L704C032H01	GUIDE-POWER, KNOB	1
22	L704C032H11	GUIDE-BY PASS, KNOB	1
23	L704C032H21	GUIDE-INFRA, KNOB	1
24	L704D109H01	GUIDE-KNOB	4
25	L550D037H01	FELT RING	2
26	L550D051H01	FELT RING	1
27	L449Y002H01	AC SOCKET	4
28	L540D501H01	CLAMPER	1
29	L242Y501H01	POWER-CORD	1
30	L531D018H01	SHAFT-GND	1
31	L683D011H01	WASHER-PLANE	1
32	U680S322H04	WASHER-TOOTHED, 4	1
33	L670D004H01	NUT, M3.5	1
34	L840D009H01	COVER-AC SOCKET	1
35	L432Y035H01	SW-POWER	1
36	L250Y163H01	TRANS-POWER	1
38	L771D011H01	RUBBER-FOOT	4
51	U680S322H03	WASHER-TOOTHED, TRANS FIX USE 3	2
52	U650S063H19	SCREW-B, SW FIX, M3*6	2
53	U656S263H23	FRONT PANEL FIX, T-SCREW, 2-3*6	8
54	U650S063H20	HOLDER FIX, SCREW, 3*8	2
55	U656S263H23	FRAME & CHASSIS FIX, 2-3*6	4
56	U656S164H24	RCA JACK FIX, 1-3*8	14
57	U650S063H19	PUSH SW FIX, SCREW-B, M3*6	14
58	L851D071H01	LABEL-WARNING	1
60	U650S025H31	RUBBER-FOOT FIX, SCREW, M4*10	4
61	U656S263H23	COVER BOTTOM FIX, T-SCREW, 2-3*6	8
62	L650D005H01	COVER-TOP FIX, SCREW-B, M4*6	4

SCHEMATIC DIAGRAM



NAD 1300
SCHEMATIC DIAGRAM

NOTE: W6 ONLY
C129, C130, C141, C142
L105, L106
C501, C502, C513, C514
C515, C516, C517, C518

1 R601 R602 AT 120V-240V USE 22A 1W
AT 220V USE 10A 1W

120V USE

NORMAL OUT

HI OUT

HEADPHONES

PHONE JACK

HI OUT

NORMAL OUT

NAD 1300 PARTS LIST

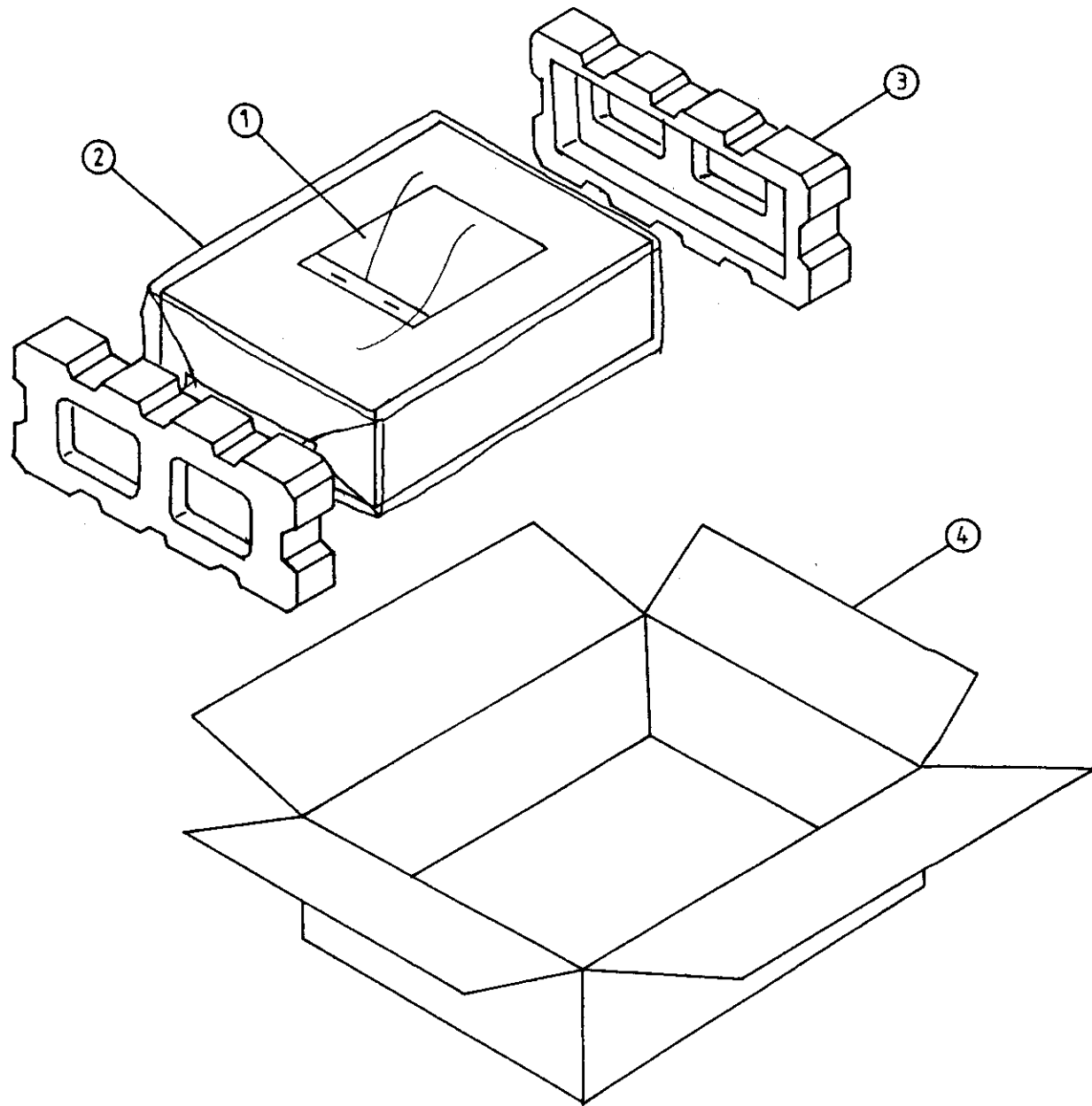
PARTS NUMBER	DESCRIPTION	SPECIFICATION	Q'TY
L702A038H01	PANEL-FRONT		1
L704C033H01	GUIDE-KNOB		1
L704C032H01	GUIDE-POWER	KNOB	1
L704C032H11	GUIDE-BY PASS	KNOB	1
L704C032H21	GUIDE-INFRA	KNOB	1
L704D109H01	GUIDE-KNOB		4
L241A051H12	POB-LED		1
U656S263H23	LED PCB FIX	T-SCREW, 2-3*6	10
U085S091H13	CEMEDINE	NO. 575	2
U656S263H23	PCB		2
L683D011H02	POWER TRANS	WASHER, 3.2*10*0.5	2
L703B039H01	COVER-BACK	US, GP, CN, UT	1
L703B039H03		WG, EU	1
L703B039H04		UK, AS	1
L242Y013H01	POWER-CORD	SA	1
L242C872H06		US, GP, CN	1
U242C809H19		UK	1
U242Y013H01		WG, EU, SA	1
L242C310H01		AS	1
L449Y002H01	SOCKET	UT	1
L851D069H01	AC CORD TAG		4
L851D070H01	COLOR CODE TAG		1
L540D501H01	CLAMPER		1
L851B004H03	LABEL-BDP		1
L531D018H01	SHAFT-GND		1
L670D004H01	NUT	M3.5	1
L683D011H01	WASHER-PLANE		1
U680S322H04	WASHER-TOOTHED	4	1
L840D009H01	COVER-AC SOCKET		1
L243C421H10	LEAD		5
L670D002H01	NUT-GND	BRN	1
L547B030H01	FRAME-L		1
L432Y035H01	SW-POWER		1
U656S263H24	TRANS FIX	T-SCREW, 2-3*8	2
U680S322H03	TRANS FIX USE	WASHER-TOOTHED, 3	2
U650S063H19	SW FIX	SCREW-B, M3*6	2
U140Y007H07	C620	CERAMIC 400V 472M	1
L230Y003H01	CONNECTOR		1
U073S722H65	TUBE-VINYL	35 DIA BLK	0.65M
U838S101H05	BAND		1
U243C423H24	POWER SW	LEAD, ORG	1
U243C426H26	POWER SW	BLU	1
L243C092H25		2P	1
U838S101H01	BAND		4
L540Y001H01	CLAMPER		1
L350Y123H01	TRANS-POWER		1

PARTS NUMBER	DESCRIPTION	SPECIFICATION	Q'TY
L103Y214H25	R267 R268 R283 R284	1/4W 3.3K-J	4
L103Y214H26	R109 R110 R264	1/4W 3.9K-J	3
L103Y214H27	R289 R290 R509 R510	1/4W 3.9K-J	4
L103Y214H30	R255 R256 R257 R258	1/4W 8.2K-J	4
L103Y214H33	R259 R260 R265 R266	1/4W 8.2K-J	4
L103Y214H30	R281 R282 R285 R286	1/4W 8.2K-J	4
L103Y214H31	R253 R254 R287 R288	1/4W 10K-J	4
L103Y214H10	R143	1/4W 180-J	1
L103Y214H32	R505, 506, 614, 613, R309, 310	1/4W 12K-J	6
L103Y214H35	R213 R214 R513		3
L103Y214H36	R532 R533	1/4W 22K-J	3
L103Y214H37	R127 R149 R150	1/4W 27K-J	2
L103Y214H40	R122	1/4W 33K-J	3
L103Y214H43	R207, R208, R211, R212, R221, 222, 225, 226, 227, R228, 235, 236, 291, 292	1/4W 56K-J	1
L103Y214H47	R295 R296 R297 R298	1/4W 100K-J	26
L103Y214H91	R299, 315, 316, 521, 522		
L103Y214H91	R527 R528 R617		
L103Y214H91	R311 R312	1/4W 100K-J	2
L103Y214H91	R217 R218 R219 R220	1/4W 220K-J	2
L103Y214H55	R209 R210 R534	1/4W 620K-J	4
L264Y220H01	R263	1/4W 1M-J	3
L264Y220H01	D201, 202, 203, 204, D501, 502, 503, 504	1/4W 3.9K-J	1
L103Y317H03	D505, 507, 508, 509, 510	DIODE 1N4148	13
L103Y317H07	R123 R124 R125 R126	1N4148	1
L103Y317H08	R108	CARBON, 1/4W 22-J	1
L103Y317H12	R146	1/4W 100-J	4
L103Y317H09	R135 R136	1/4W 100-J	3
L103Y317H19	R139 R616	1/4W 120-J	1
L103Y317H24	R101 R102	1/4W 270-J	1
L103Y317H27	R117	1/4W 1K-J	2
L103Y317H31	R141 R142	1/4W 2.7K-J	2
L103Y317H37	R115 R116	1/4W 4.7K-J	1
L103Y317H44	R140	1/4W 10K-J	2
L140Y206H48	C289 C290	1/4W 33K-J	2
L140Y206H20	C509 C610	CARBON 1/4W 120K-J	1
L140Y206H22	C503 C504	CERAMIC-C 50V 331J	2
L140Y206H32	C107 C108 C132	50V 22J	2
L140Y206H36	C115 C116 C119 C120	50V 27J	3
L140Y206H36	C163 C164	50V 68J	6
L140Y206H36	C237, 238, 259, 260, 287	50V 101J	5
L140Y206H44	C113 C114 C209 C210	50V 221J	4
L140Y206H52	C501 C502	50V 471J	2
L140Y206H11	C219 C220	50V 821K	2
L140Y206H12	C105 C106	50V 102K	2

PARTS NUMBER	DESCRIPTION	SPECIFICATION	Q'TY
L140Y206H25	C1111, 211, 212, 221, 222	25V 104K	5
L140Y206H25	C223 C224 C239 C240	25V 104K	6
L140Y206H25	C241 C242		
L140Y206H25	C255 C256 C257 C258	25V 104K	6
L140Y206H25	C283 C284		
L172Y306H05	C285 C286	25V 104K	2
L172Y306H05	C225 C226 C231 C232	C-POLY, 50V 222J	4
L172Y306H09	C133	50V 222J	1
L172Y306H13	C227 C228 C233 C234	50V 472J	4
L172Y306H19	C123 C124 C229 C230	50V 103J	6
L172Y306H25	C235 C236		
L172Y306H19	C125 C126	50V 333J	2
L172Y306H25	C207 C208 C273 C274	50V 104J	6
L172Y306H17	C275 C276		
L172Y306H02	C619	50V 223J	1
L172Y306H34	C505 C506 C511	ELECT-C 6.3V 100	3
L172Y306H34	C109 C110 C135 C136	25V 10	6
L172Y306H34	C213 C214		
L182Y306H34	C215 C216	25V 10	2
L182Y322H37	C261 C262 C265 C266	ELECT-C, 25V 47	4
L182Y322H37	C267, 268, 271, 281, 282	25V 47	5
L182Y322H37	C617 C618	25V 47	2
L182Y322H38	C509 C510	25V 100	2
L182Y322H45	C611 C612	35V 10	2
L182Y322H46	C613 C614	35V 22	2
L182Y322H61	C117 C118	50V 2.2	2
L182Y322H63	C217 C218	50V 4.7	2
L262C020H04	IC201, 202, 203, 204, 205	IC, NJM2043D(D)	5
L262C020H04	IC206, 207, 208, 209	NJM2043D(D)	4
L260D020H03	Q101 Q102	TR, 2SC2602(G)	2
L260D020H03	Q103 Q104	2SA1015(GR)	2
L260D066H03	Q107 Q108 Q109 Q110	2SA1015(GR)	4
L260D057H01	Q105 Q106 Q113 Q114	2SK163(M)	4
L260D057H01	Q117 Q118	2SA970(GR)	6
L260D057H01	Q119 Q120	2SA970(GR)	2
L260D058H01	Q111 Q112 Q115 Q116	2SC2240(GR)	6
L260D036H01	Q519 Q520		
L260D020H03	Q521	2SK363(GR)	2
L260S061H03	Q522	2SA1015(GR)	1
L260D036H01	Q501 Q502 Q503 Q504	2SC1815(GR)	1
L260D020H03	Q505 Q506 Q509 Q510	2SK363(GR)	4
U260S061H03	Q507 Q508	2SA1015(GR)	4
L260D024H05	Q601 Q605	2SG1815(GR)	2
L260D021H05	Q602 Q606	2SD669A(C)	2
L260D058H01	Q603 Q607	2SB649A(C)	2
L260D057H01	Q604 Q608	2SC2240(GR)	2
U264S003H01	D604	2SA970(GR)	2
U264D037H01	D101 D102 D103 D104	DIODE, 10E1	1
	D105 D106	1N4148	6

PARTS NUMBER	DESCRIPTION	SPECIFICATION	Q'TY	PARTS NUMBER	DESCRIPTION	SPECIFICATION	Q'TY
U264D037H01	D107 D108 D109 D110	1N4148	4	U140S005H03	C513 C514	50V 102K	2
L264C003H69	D601	UZ-24B(M)	1	U150S008H44	C3301 C302	50V 221J	2
L264C003H63	D602 D603	UZ-20B(M)	2	U140S020H51	C112	25V 104K	1
L264D017H01	BD601	PB1533M	1	U443DS09H14	LUG-TERMINAL		1
L351Y018H01	L101 L102	COIL-TORIC, 100 uH	2	L243C507H22	JW101	LEAD, 7P	1
L351Y004H01	L103 L104	COIL-TORIC, 3.7 MH	2	L243C507H32	JW102	7P	1
L286Y001H01	RELAY	MS2 DC24V	1	L243C509H15	JW103	9P	1
L127Y003H02	VR201	VR, 1K B	1	L243C092H18	JW104	2P	1
L457D501H01	FUSE-HOLDER		4	L243C092H10	JW105	20	1
U685S223H01	PIN	500MA-UL	2	U243C745H28	JW202	5P	1
U283S017H07	FUSE	500MA-SEMKO	2	U243C745H36	JW203	5P	1
U283S022H15		CARBON, 1/4W 120-J	3	U243C743H28	JW201	3P	1
U103S017H08	R107	1/4W 470-J	1	U243C745H05	JW204	5P	1
U103S017H15	R114 R151	1/4W 4.7K-J	2	U243C590H28		BLK	1
U103S017H27	R118	1/4W 4.7K-J	2	U243C591H34		BRN	1
U103S017H37	R128	1/4W 33K-J	1	U243C592H34		RED	1
U103S017H40	R121	1/4W 56K-J	1	U243C593H43		ORG	1
U103S017H51	R119 R120	1/4W 470K-J	2	U243C594H28		YEL	1
U103S017H10	R144	1/4W 180-J	1	U243C595H38		GRN	1
U103S017H26	R619	1/4W 3.9K-J	1	U243C596H43		BLU	1
U103S017H22	R103 R104	1/4W 1.8K-J	2	U243C597H43		PPL	1
U103S017H62	R237 R238 R239 R240	1/4W 4.7M-J	6	L241A051H12	PCB-MAIN	(LED)	1
	R241 R242		6	L268Y058H01	LE-DIODE	SE2021	1
	R243 R244 R245 R246		6	L243C092H36	LEAD-TAPE		1
	R247 R248		2	U243C590H07	LEAD	2P	1
U103S037H29	R131 R132	1/4W 7.5K-J	2	U243C590H10	A - A	BLK	1
U103S037H58	R137 R138	1/4W 95K-J	2	L565D018H01	Q601 Q602	BLK	1
U105S007H11	R523 R524	R-METER 1W 68-J	2	U656S263H23	T-SCREW	RADIATORE	2
U105S007H13	R525 R526	1W 100-J	2	L241B102H01	PCB-SUB	2-3*6	2
U105S007H01	R601 R602	1W 10-J	2	L451Y017H03	JACK-HEADPHONE	(HEADPHONE)	1
U105S007H05	R601 R602	1W 22-J	2	L437Y002H01	BASS	SW-LEVER	1
U150S008H32	C131	C-CERAMIC, 50V 68J	1	L437Y028H01	BASS EQ/INFRA	SW-PUSH	1
U150S008H36	C288, 291, 292, 293, 294	C-CERAMIC, 50V 101J	5	L243C162H08	LEAD	RED	1
U172S006H29	C201 C202	C-POLY 50V 224J	2	U053S271H05	SOLDER-RESIN		3G
U172S006H28	C205 C206	50V 184J	2	U053S271H04	SOLDER-RESIN		4G
U172S006H05	C134	50V 222J	1	L103Y214H61	R269 R270 R271 R272	CARBON 1/4W 4.7M-J	6
U172S006H27	C2303 C204	50V 154J	2	L103Y214H61	R273 R274	1/4W 4.7M-J	6
U182S022H63	C269 C270	C-ELECT 50V 4.7	2	U172S006H25	R275 R276 R277 R278	1/4W 4.7M-J	6
U182S022H65	C621	50V 22	1	C243 C244 C249 C250		C-POLY 50V 104J	4
U182S022H35	C615 C616	25V 22	2	C245 C246 C251 C252		50V 274J	4
U182S022H25	C507 C508	16V 47	2	C247 C248 C253 C254		50V 564J	4
U182S022H23	C279 C280	16V 22	2	L580R007H01	COVER-BOTTOM		4
U182S022H06	C103 C104	6.3V 1000	2	L771D011H01	RUBBER-FOOT		4
U182S022H28	C121 C122	16V 330	2	L851D056H01	LABEL-QA		4
U182S022H39	C101 C102	25V 220	2	L552D015H01	CUSHION-PCB		1
U182S022H50	C607 C608	35V 220	2	L552D015H02	CUSHION-PCB		2
U182S022H71	C605 C606	50V 470	2	L840D010H01	COVER-PVC		1
U182S022H37	C127	25V 47	1	U650S025H31	RUBBER-FOOT FIX		1
U150S008H36	C515 C516	C-CERAMIC 50V 101J	2				4
U150S008H52	C129 C130	50V 471J	2				4

PACKING DIAGRAM



PACKING LIST FOR NAD-1300

ITEM	PARTS NO.	NAME	Q'TY
1	L871B003H01	OWNER'S MANUAL	1
2	L831D003H01	PE BAG	1
3	L813A013H01	POLYLON	2
4	L800B020H01	GIFT BOX	1