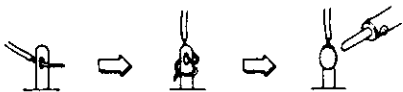




## ★ SAFETY INSTRUCTIONS

### PRECAUTIONS DURING SERVICING

- Parts identified by the  $\star$  symbol are critical for safety. Replace them only with the parts number specified.
- In addition to safety, other parts and assemblies are specified for conformance with such regulations as those applying to spurious radiation. These must also be replaced only with the specified replacements.  
Examples: RF converters, tuner units, antenna selector switches, RF cables, noise blocking capacitors, noise blocking filters, etc.
- Use specified internal wiring. Note especially:
  - Wires covered with PVC tubing
  - Double insulated wires
  - High voltage leads
- Use specified insulating materials for hazardous live parts. Note especially:
  - Insulation Tape
  - PVC tubing
  - Spacers (Insulating barriers)
  - Insulation sheets for transistors
  - Plastic screws for fixing microswitch (especially in turntable)
- When replacing AC primary side components (transformers, power cords, noise blocking capacitors, etc.), wrap the ends of the wires securely about the terminals before soldering.



- Make sure that wires do not contact heat producing parts (heatsinks, oxide metal film resistors, fusible resistors, etc.).
- Check that replaced wires do not contact sharp edged or pointed parts.
- Also check areas surrounding repaired locations.
- Make sure that foreign objects (screws, solder droplets, etc.) do not remain inside the set.

### SAFETY CHECK AFTER SERVICING

After servicing, make measurements of leakage-current or resistance in order to determine that exposed parts are acceptably insulated from the supply circuit. The leakage-current measurement should be done between accessible metal parts (such as chassis, ground terminal, microphone jacks, signal input / output connectors, etc.) and the earth ground through a resistor of 1500 ohms paralleled with a 0.15  $\mu$ F capacitor, under the unit's normal working conditions. The leakage-current should be less than 0.5 mA rms AC. The resistance measurement should be done between accessible exposed metalparts and power cord plug prongs with the power switch (if included) "ON". The resistance should be more than 2.2 Mohms.

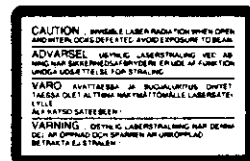
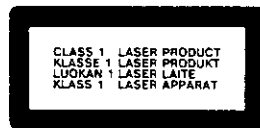
### MAKE YOUR CONTRIBUTION TO PROTECT THE ENVIRONMENT

Used batteries with the ISO symbol for recycling as well as small accumulators (rechargeable batteries), mini-batteries (cells) and starter batteries should not be thrown into the garbage can. Please leave them at an appropriate depot. All other household batteries can be thrown out with the household waste.



### CLASS 1 LASER PRODUCT

This product contains a low power laser device. To ensure continued safety, do not remove any covers or attempt to gain access to the inside of the product. Refer any servicing to qualified personnel. Use actual size stickers



## ★ INFORMATION

### SYMBOLS FOR PRIMARY DESTINATION

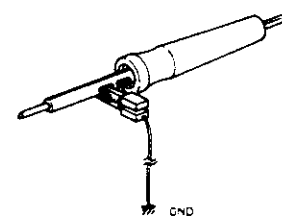
Primary destination of units are indicated with the following alphabet.

Symbols	Principal Destinations
B	UK
E	Europe (except UK)
S	Australia
V	Germany
U	Universal Area
Y	Custom version

### PRECAUTIONS IN REPAIRING

When repairing or adjusting the unit, please note the following points.

- Do not put excessive pressure on the mechanical part (operation part), including the pick-up block, as extremely high mechanical precision is required in these parts.
- When the base is removed for repair or adjustment, make sure that there are no metal objects in the narrow gap between the P.C.board or the mecha parts and the base.
- The Micro-Computer and the CD signal processing ICs can be damaged by static electricity or leakage from a soldering iron during repairing. While soldering, please take the precautions against leakage as in the illustration.



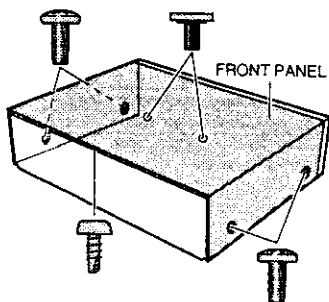
- Do not loosen any screws in the pick-up block. When handing the pick-up block, please refer to the points to NOTE when replacing the pick-up block.
- Keep safety for hazardous invisible Laser Radiation, DO NOT watch the Laser Beam (Objective lens) directly.
- Models for the some countries, laser warning labels are affixed on the unit and inside of the unit, as shown below. Read it carefully for your safety, when repairing or adjusting the unit.

## I. DISASSEMBLY

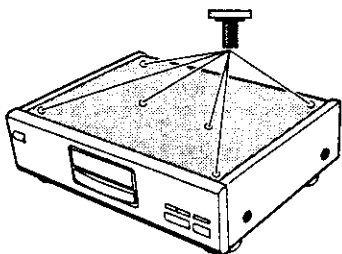
In case of trouble, etc, necessitating dismantling, please dismantle in the order shown in the illustrations. Reassemble in the reverse order.

### 1. Removal of the UPPER COVER

For model CD-69

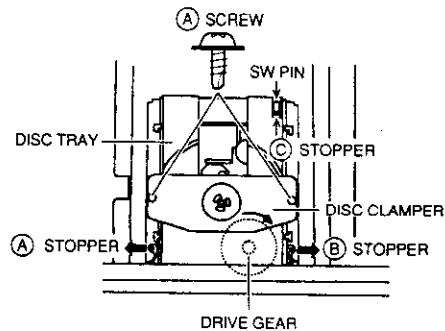


For model CD-79

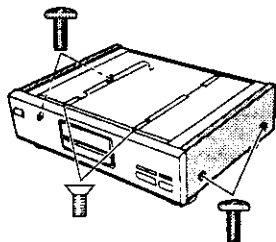


### 2. Removal of the DISC TRAY

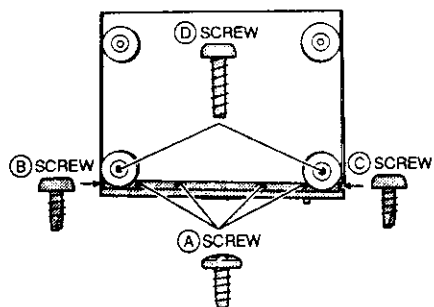
- Remove the two **A** screws on the DISC CLAMPER.
  - Release the **C** stopper, then remove the SW PIN.
- (This part is not available as a service part. Remove it from the old tray and replace it in the new one when changing the tray.)
- Turn the DRIVE GEAR in the direction of the arrow until the tray reaches fully open position.
  - While pulling both the **A** and **B** stoppers in the direction of the arrows individually, remove the DISC TRAY by pulling it forward.



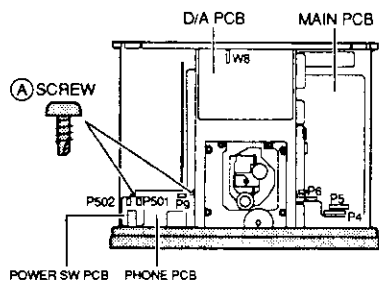
### 3. Removal of the FRONT PANEL BLOCK



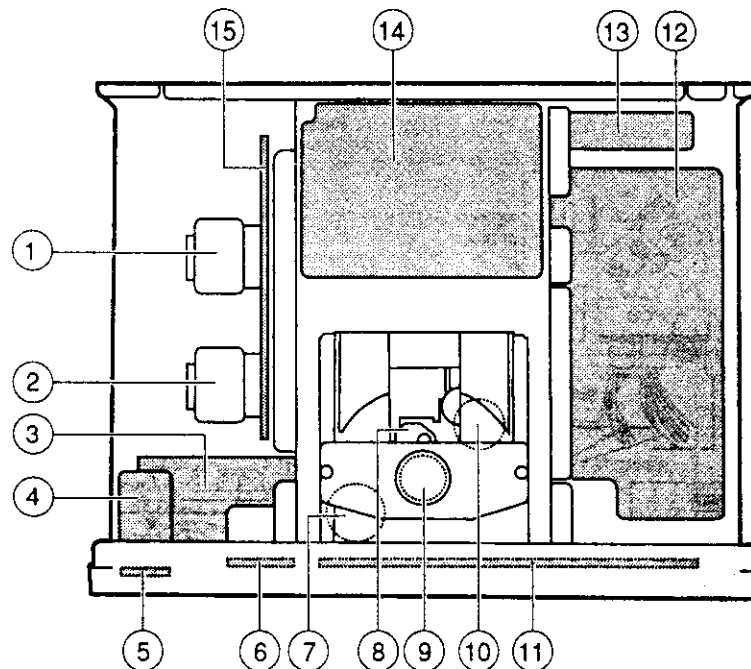
- Remove the four **A** screws and loosen the **B** screws on the bottom.
- Remove the **B**, **C** screws on the both side.



- Remove the two **A** screws on the PHONE PCB.
- Disconnect the connector P4, P5 and P6 on the MAIN PCB, and W8 on the D/A PCB.
- Disconnect the connector P9 on the PHONE PCB and P501, P502 on the POWER SW PCB.



## II. PRINCIPAL PARTS LOCATION



- POWER TRANSFORMER (CD-79 only)
- POWER TRANSFORMER
- PHONE PCB
- POWER SW PCB
- LED PCB
- DAC SW PCB
- LOADING MOTOR
- PICK UP BLOCK

- SPINDLE MOTOR
- SLED MOTOR
- OPERATION PCB
- MAIN PCB
- DIGITAL OUT PCB
- D/A PCB
- POWER SUPPLY PCB

### III. REPLACEMENT OF THE PRINCIPAL COMPONENTS

#### 3-1. PRECAUTION, WHEN REPLACING THE PICK UP BLOCK

When connecting or disconnecting the connectors P101 and P102, make sure that the P.C. Board (on the PICK UP Block) has to be shorted circuit as shown in Fig. 3-1. Do not turn the electricity "ON" while it remain shorted circuit.

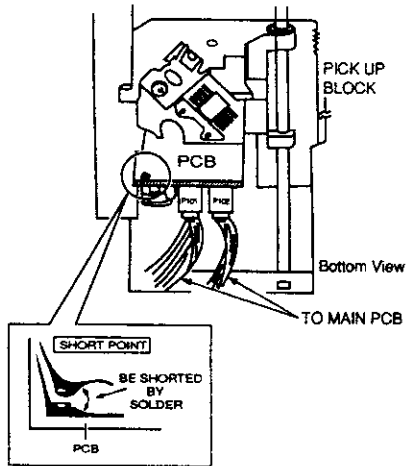


Fig. 3-1

#### 3-2. REMOVAL OF THE MECHANISM BLOCK

- 1) Remove the DISC TRAY and DISC CLAMPER. (Refer to 1-2, Removal of the DISC TRAY)
- 2) Disconnect the P101, P102, P103 and P104 connectors on the MAIN PCB.
- 3) Remove the four (B) screws on the MECHANISM BLOCK.
- 4) Remove the MECHANISM BLOCK from the main chassis.

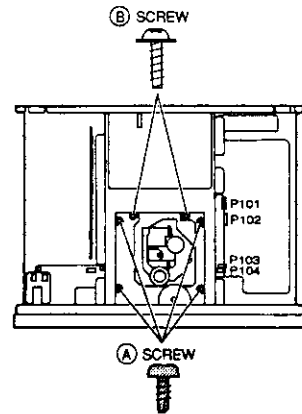


Fig. 3-2

#### 3-3. REPLACEMENT OF TRAVERSE MECHA

- 1) Remove the two (B) screws on the MECHANISM BLOCK. (Refer to Fig. 3-2)
- 2) Remove the four (A) screws on the TRAVERSE MECHA as shown in Fig. 3-3.

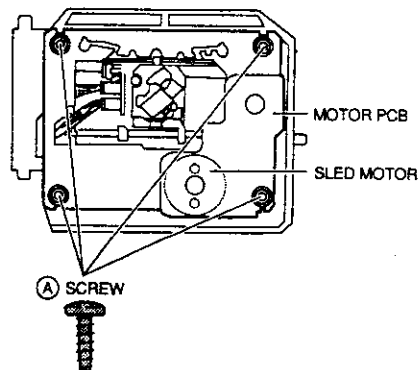


Fig. 3-3

#### 3-4. REPLACEMENT OF THE PICK UP BLOCK

- 1) Release the stoppers of (A) gear as shown in Fig. 3-4, then remove it.
- 2) Push the (A) stopper in the right direction and pull the SLIDE SHAFT in the forward direction to remove the PICK UP BLOCK, then replace the PICK UP BLOCK.
- 3) Reassemble in the reverse order.

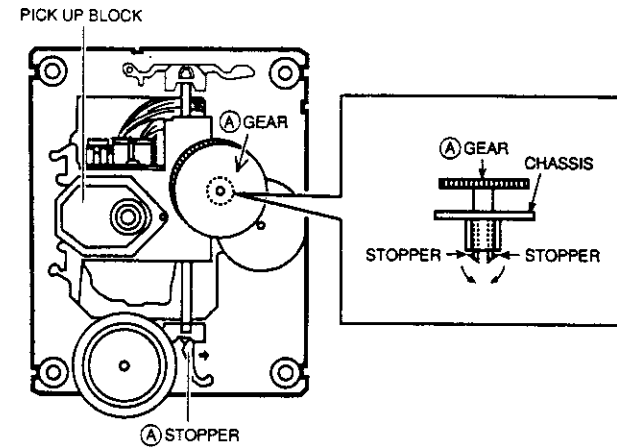


Fig. 3-4

### 3-5. REPLACEMENT OF THE SPINDLE MOTOR

Replacement of the SPINDLE MOTOR itself is not recommended, because the adjustment of the TURN TABLE height is quite critical and necessitating the use of a special jig.

### 3-6. REPLACEMENT OF THE SLED MOTOR

- 1) Remove the TRAVERSE MECHA.
- 2) Remove the MOTOR PCB.
- 3) Remove the SLED MOTOR retaining Ⓢ screws, then replace the SLED MOTOR.
- 4) Reassemble in the reverse order.

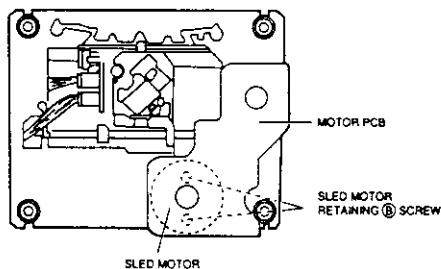


Fig. 3-5

### 3-7. REPLACEMENT OF THE LOADING MOTOR

- 1) Remove the LOADING BELT and LOADING MOTOR retaining screws.
- 2) Release the Ⓐ and Ⓑ stoppers as shown in Fig. 3-6. Then remove the LOADING MOTOR PCB.
- 3) Reassemble in the reverse order.

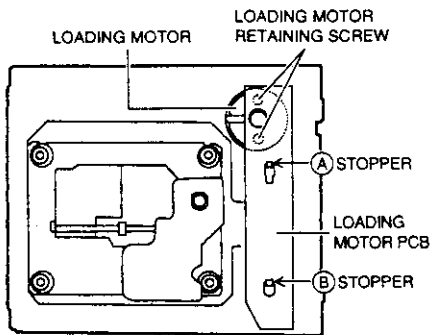


Fig. 3-6

## IV. ELECTRICAL ADJUSTMENT

### [ABOUT THE TEST MODE]


- This TEST mode is used for the adjustment or check.
- How to set into the TEST mode.  
Turn the power on, while pressing the DIMMER and ◀◀ buttons on the front panel.
- How to change the TEST mode number.  
The TEST mode number will be advanced one by one, each time pressing the ▶ button and returned to initial number by pressing the ■ button.

STEP	ADJUSTMENT
1.	TEST DISC
2.	MODE or TEST mode
3.	TEST POINT and ADJUSTMENT parts.
4.	(*) REMARK, (*) RESULT

Test point      ADJ. part

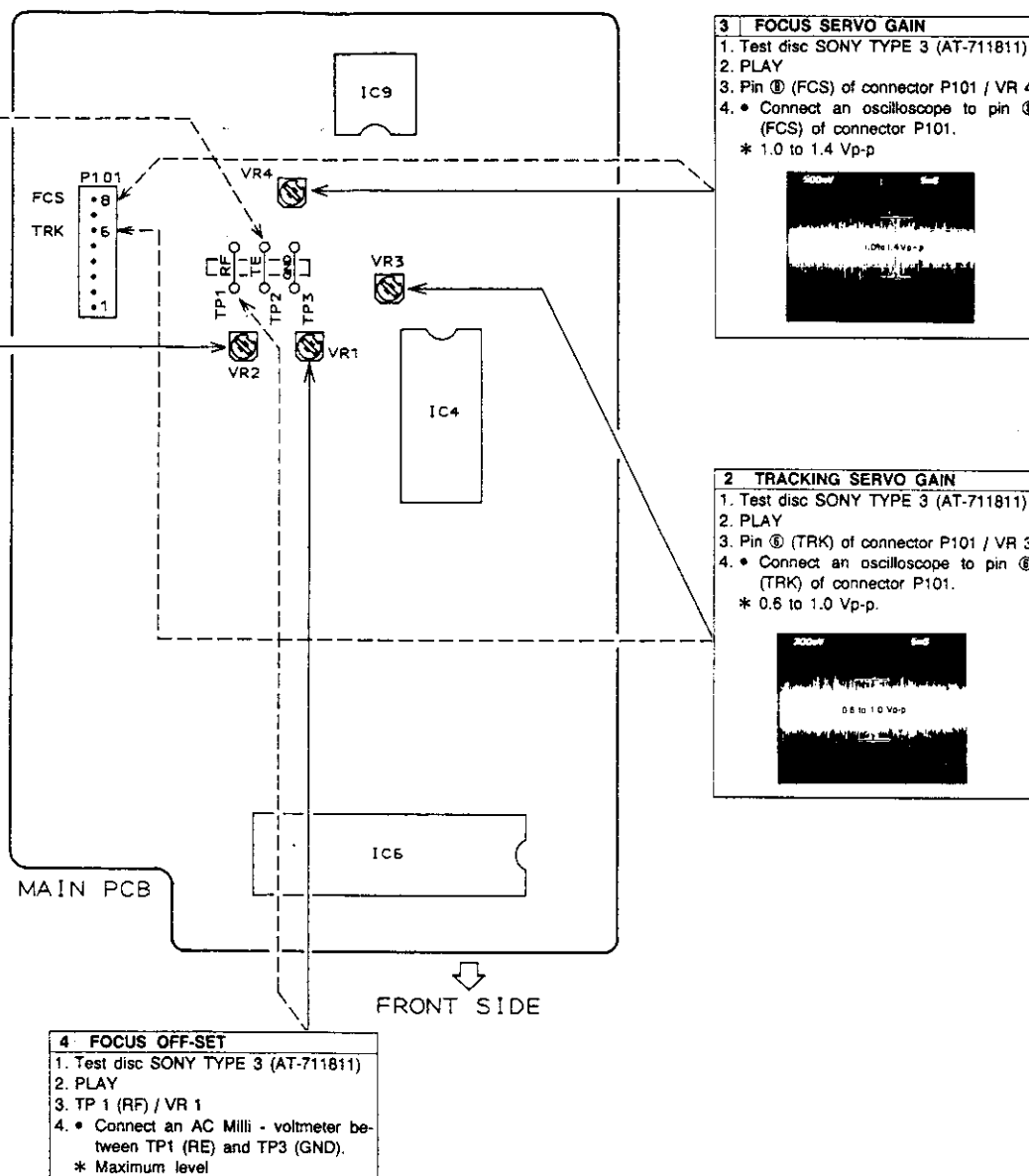
**1. E-F BALANCE**

1. Test disc SONY TYPE 3 (AT-711811)
2. Test mode 3
3. TP 2 (TE) / VR 2
4. • Connect an oscilloscope to TP 2 (TE)  
\* A=B




### \*TEST mode condition and DISPLAY

TEST mode	DISPLAY	
1	00 00 00 00	• Indicates the TEST mode after initialization of the memory for back up.
2	00 00 00 00	• Indicates the end of FOCUS SEARCH.
3	00 00 00 00	• Test mode goes to CLV-S mode and the disc is revolved. If you do not hold the SPINDLE, the disc may go out of control.
4	00 00 00 00	• Indicates that TRACKING SERVO is on.
5	00 00 00 00	• Test mode goes to CLV-A, and SLED SERVO is turned on. In this mode there will be sound, and TRACK NO. and TOTAL TIME will be indicated. The PICK-UP can be moved by using the F.S. Key and B.S.Key.
6	00 00 00 00	• Indicates regular movement.
7	00 00 00 00	• When the OPEN key was pressed to start loading during the 6th stage, the tray will be open during this 7th stage.
8	00 00 00 00	• When the OPEN key was pressed to open the tray during the 7th stage, it will close during this 8th stage.



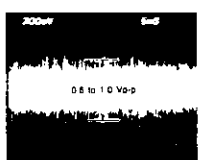
**3. FOCUS SERVO GAIN**

1. Test disc SONY TYPE 3 (AT-711811)
2. PLAY
3. Pin ① (FCS) of connector P101 / VR 4
4. • Connect an oscilloscope to pin ① (FCS) of connector P101.  
\* 1.0 to 1.4 Vp-p



**2. TRACKING SERVO GAIN**

1. Test disc SONY TYPE 3 (AT-711811)
2. PLAY
3. Pin ② (TRK) of connector P101 / VR 3
4. • Connect an oscilloscope to pin ② (TRK) of connector P101.  
\* 0.6 to 1.0 Vp-p.



# V. PARTS LIST

## ATTENTION

- When placing an order for parts, be sure to list Part No., Model No. and the description of each part. Otherwise, the non-delivery of the part or the delivery of a wrong part may result.
- Please make sure that Part No. is correct when ordering. If not, a part different from the one you ordered may be delivered.
- Since the parts shown in Parts List of Preliminary Service Manual may have been the subject of changes, please use this Parts List for all future reference.

## HOW TO USE THIS PARTS LIST

- This Parts List lists those parts which are considered necessary for repairs. Other common parts, such as resistors and capacitors, are listed in the "Common List for Service Parts" from which these parts should be selected and stocked.
- The Recommended Spare Parts List shows those parts in the Parts List which are considered particularly important for service.
- Parts not shown in the Parts List and "Common List for Service Parts" will not in principle be supplied.
- How to read the Parts List.

a) Mechanism Block

### 2. HEAD BASE BLOCK

Ref. No.	Part No.	Description
1	BH-2023A325A	HEAD BASE BLOCK
2	HP-2205A010A	HEAD R P PR4-8FU C
3	Z5-477876	PAN20*03STL CMT
4	Z5-536488	BID20*08STL CMT
5	Z5-4C2895	SP CS ANG. LE ADJUST

SP (Service Parts) Classification

This number corresponds with the individual parts index number in that figure.

The available PC Board Blocks are listed separately.

- When Part No. is known, Parts Index at end of Parts List can be used to locate where that part is shown in Parts List by its Reference No. listed at right of Part No.

b) PC Board

### 6. MAIN PC BOARD

Ref. No.	Part No.	Description
1C1	E-324536	IC HD140498P
1C2	E-336801	IC MB8841-564M
C1A	EC-338399	C MMY V 223M 250AC [U.E.B.S.]
C1B	EC-350949	C MMY V 223M 250DC [J]
C1C	EC-338397	C MMY V 223M 125AC [C.A.]
X1	E-378384	OSC XTAL NC-18C

Symbols for primary destination —

[A]: AAL (U.S.A.) [S]: SAA (Australia)  
 [B]: BEAB (England) [U]: U.T (Universal Area)  
 [C]: CSA (Canada)  
 [E]: CEE (Europe) [V]: VDE (Germany)  
 [J]: JPN (Japan) [Y]: Custom Version

SP (Service Parts) Classification

These reference symbols correspond with component symbols in the Schematic Diagrams.

## WARNING

⚠ (\*) INDICATES SAFETY CRITICAL COMPONENTS. FOR CONTINUED SAFETY, REPLACE SAFETY CRITICAL COMPONENTS ONLY WITH MANUFACTURE'S RECOMMENDED PARTS.

## AVERTISSEMENT

⚠ (\*) IL INDIQUE LES COMPOSANTS CRITIQUES DE SÉCURITÉ. POUR MAINTENIR LE DEGRÉ DE SÉCURITÉ DE L'APPAREIL, NE REMPLACER QUE DES PIÈCES RECOMMANDÉES PAR LE FABRICANT.

## 1. RECOMMENDED SPARE PARTS

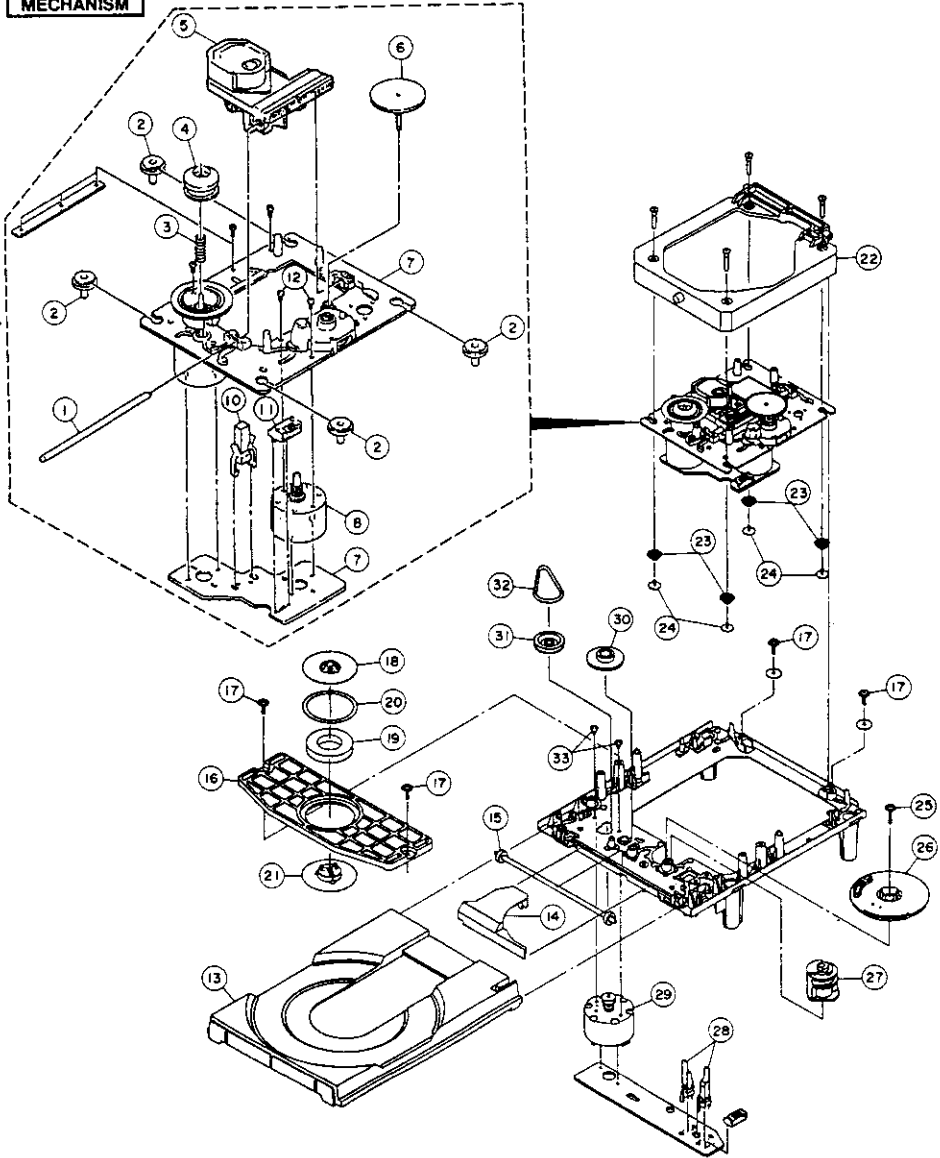
We suggest you to stock the following Recommended Spare Part items listed below since they can cover most of the routine service.

Ref. No.	Part No.	Description
1	AX-410550M	REMOCON RC-C69 [CD-69]
2	AX-410549M	REMOCON RC-C79 [CD-79]
3	BB-408481M4	MACHA LOADING KSL-2101ABM
4	*BT-410544M	TRANS POW P2067 BS AUDIO [CD-79]
5	*BT-410546M	TRANS POW P2067 BS DIGITAL [CD-79]
6	*BT-410543M	TRANS POW P2067 EV AUDIO [CD-79]
7	*BT-410545M	TRANS POW P2067 EV DIGITAL [CD-79]
8	*BT-410548M	TRANS POW P2068 BS [CD-69]
9	*BT-410547M	TRANS POW P2068 EV [CD-69]
10	BT-368261	TRANS PULSE TC-1027-04
11	*EC-403337J	C CE V DE1700 F472M 400AC [CD-69]
12	*EC-371127	C EC V CUT AS1 222M 16.0DC
13	*EC-316231	C EC V CUT AS1 222M 35.0DC
14	*EC-201645	C EC V CUT AS1 222M 6.3DC
15	*EC-412782J	C EC V CUT AVF 102M 80.0DC
16	EC-397410J	C EC V CUT AVF 222M 35.0DC
17	*EC-414556J	C EC V CUT FA 222M 16.0DC
18	*EC-410594J	C MMY V CFK22E 103M 250AC
19	ED-410590J	D LED SEL2415E C.D GREEN
20	ED-410557J	D LED SEL2415ETP2CD GREEN T05
21	ED-405359J	D LED SEL2915A C.D ORANGE
22	ED-403987J	D LED SLR33MCF GREEN
23	ED-307572	D SILICON H 1SS131
24	ED-624903	D SILICON H 1S2473
25	*ED-511907	D SILICON 1N4002 100V1.0A
26	*ED-392651J	D SILICON 1N5401 F15 100V3.0A
27	ED-396626J	D SILICON 30DF F20 100V3.0A
28	ED-392759J	D ZENER H HZ56B1L
29	ED-396059J	D ZENER H HZ56B2
30	ED-346547	D ZENER H HZ11A1L
31	ED-346593	D ZENER H HZ3 B1
32	ED-343854	D ZENER H HZ30-2L
33	ED-305655	D ZENER H HZ4 B3
34	ED-346528	D ZENER H HZ6C1L
35	ED-346529	D ZENER H HZ6C2L
36	ED-346530	D ZENER H HZ6C3L
37	ED-346538	D ZENER H HZ9A2L
38	ED-346540	D ZENER H HZ9B1L
39	*EF-344108	FUSE ICP-N10 50V 0.4A
40	EH-408654J	COMP R RGL10T 223J
41	EH-412085J	COMP R RGL3X 223J
42	EH-410573J	COMP R RGL5T 223J
43	EI-37883J	IC AN79M05F
44	EI-410563J	IC CD00C2AD [CD-69]
45	EI-413083J	IC CXA1372AS
46	EI-410569J	IC CXA1571S
47	EI-410565J	IC CXD2505B0
48	EI-410562J	IC LA6520
49	EI-413674J	IC LA6523
50	EI-413214J	IC M38112M4-150SP CD79SY1
51	EI-377860J	IC MSF7805L
52	EI-393323J	IC MS216AL-771
53	EI-393325J	IC MS218AP
54	EI-360225	IC NJM5532D
55	EI-410561J	IC OP-37GP
56	EI-410559J	IC PCM63P-J
57	EI-410560J	IC PCM63P-K
58	EI-410564J	IC SM5813AP [CD-79]
59	EI-408393J	IC ST24C01R1
60	EI-360040J1	IC TC74HCU04AP [CD-79]
61	EI-374176	OSC XTAL AT-51 16.9344MHZ [CD-79]
62	EI-381139N	OSC XTAL HC-49/U 16934.400KHZ [CD-69]
63	EJ-410554J	PHONE J 3P LGR1210-0102 63
64	EJ-403485J	PIN J YKC21-3049 4P
65	EJ-403486J	PIN J YKC21-3067 1P [B] [CD-69]
66	EJ-414550J	PIN J YKC21-3108 GP 4P
67	EJ-403487J	PIN J YKC21-3117 1P [E] [CD-69]
68	EJ-414553J	PIN J YKC21-3146 GP 1P [B] [CD-79]
69	EJ-414552J	PIN J YKC21-3250 GP 1P [E] [CD-79]
70	EJ-394490J	SOCKET OPTICAL GP1F32T
71	EM-408468J	IND FL FIP9CAM8 CHARACTER
72	EQ-338409	COIL LF FKOB160MH02 250UH
73	EQ-410558J	RELAY SIG RY9W-OH-K 2TR 9V
74	*ER-414554J	R CB V T05 FLR 25FJ 1/4W 1R0J
75	*ER-328278	R FUSE H ERD2FC 1/4W 10R0G
76	*ER-344161	R FUSE H S10 ERD2FC 1/4W 82R0G
77	*ER-400605J	R FUSE V T05 ERD2FCV 1/4W15R0G
78	*ER-412063J	R FUSE V T05 ERD2FCV 1/4W1500G
79	*ER-410572J	R FUSE V T05 ERD2FCV 1/4W27R0G
80	*ES-410570J	SW PUSH SDDL01 B03.2 D1-1
81	ES-410552J	SW TACT SKHVBE T05
82	ET-403432J	DETECTOR SPS-420-1
83	ET-356336	TR DTA114ES
84	ET-363963	TR DTA114TS
85	ET-363867	TR DTC114ES
86	ET-375485	TR DTC123LS
87	ET-375986	TR DTC124TS
88	ET-354364	TR DTC143TS
89	ET-371688	TR FET 2SK391 D F05
90	ET-345460	TR 2SA1208 R.S.T
91	ET-353899	TR 2SA1317 S.T.U [CD-69]
92	ET-352726	TR 2SA1392 T.U
93	ET-318237	TR 2SB764 E.F [CD-79]
94	ET-336997	TR 2S8608-V G.H
95	ET-370038	TR 2SC2916 S.T
96	ET-397160J	TR 2SC3330 R.S.T.U.V
97	ET-378524J	TR 2SC3383 S.T.U
98	EV-412201J	VR SPL RK16Y12MC A203X2 L*20

## 2. MECHANISM

Ref.No.	Part No.	Description
1	MS-733198M	SLIDE SHAFT
2	MB-733396M	INSULATOR
3	ZG-733199M	SP COMPRESSION
4	MZ-733200M	CENTER RING (L0)
5	BO-394728J1	PICK UP KSS-210A
6	MZ-733201M	GEAR (A)
7	MA-733202M	TURNABLE CHASSIS ASSY (MB)
8	BM-733203M	MOTOR GEAR ASSY (MB)
9	EA-733204M	MOTOR P C BOARD (6P)
10	ES-733205M	SW LEAF
11	EJ-733206M	CONNECTOR 6P
12	Z5-477876	PAN20X03STL CMT
13	SC-733379M	TRAY
14	SC-733380M	COVER GEAR
15	MZ-733381M	GEAR TRAY
16	MZ-733382M	CHUCKING PLATE
17	ZS-733383M	SCREW PTPWH 2.6X8
18	MZ-733384M	CHUCKING YOKE
19	MZ-733385M	MAGNET
20	MZ-733386M	DAMPER
21	MZ-733387M	CHUCKING PULLEY
22	NA-733388M	CHASSIS SUB ASSY
23	ZG-733389M	SPRING
24	ZS-733390M	WASHER BASED SCREW
25	ZS-733391M	SCREW PTPWH 2.6X16
26	MZ-733392M	GEARDRIVE
27	MZ-733393M	CAM CONTROL
28	ES-733394M	SW LEAF
29	BM-733395M	MOTOR LOADING ASSY
30	MZ-733401M	GEAR MIDWAY
31	MR-733402M	PULLEY LOADING
32	MB-733396M	BELT LM
33	ZS-733400M	SCREW B2 6X2.5

**MECHANISM**



**NOTE:**  
 Parts will not be supplied if they are not listed in the parts list, even if they appear on the assembling illustrations with reference No.



3. P.C BOARD BLK

Ref.No.	Part No.	Description
1A	BA-P2067T030C	ML PC (#) DIGITAL BLK CD-69 (E) /ML
1B	BA-P2067T030D	ML PC (#) DIGITAL BLK CD-69 (B) /ML
1C	BA-P2067T030A	ML PC (#) DIGITAL BLK CD-79 (E) /ML
1D	BA-P2067T030B	ML PC (#) DIGITAL BLK CD-79 (B) /ML
2A	BA-P2067T040C	ML PC (#) DAC BLK CD-69 (E) /ML
2B	BA-P2067T040D	ML PC (#) DAC BLK CD-69 (B) /ML
2C	BA-P2067T040A	ML PC (#) DAC BLK CD-79 (E) /ML
2D	BA-P2067T040B	ML PC (#) DAC BLK CD-79 (B) /ML

PC (#) DIGITAL BLK CONSISTS OF FOLLOWING P.C BOARDS.

- MAIN P.C BOARD
- OPERATION P.C BOARD
- DIGITAL OUT P.C BOARD

PC (#) DAC BLK CONSISTS OF FOLLOWING P.C BOARDS.

- DAC P.C BOARD
- POWER SUPPLY P.C BOARD
- PHONE P.C BOARD
- POWER SW P.C BOARD
- DAC SW P.C BOARD
- LED P.C BOARD

4. MAIN P.C BOARD

Ref.No.	Part No.	Description
D1	ED-396059J	D ZENER H HZS682
D2	ED-624903	D SILICON H 1S2473
D3	ED-346530	D ZENER H HZ6C3L
D4	ED-346530	D ZENER H HZ6C3L
D5	ED-396059J	D ZENER H HZS682
D6	ED-624903	D SILICON H 1S2473
D7	ED-307572	D SILICON H 1SS131
D8	ED-307572	D SILICON H 1SS131
D9	ED-307572	D SILICON H 1SS131
D10	ED-307572	D SILICON H 1SS131
D11	ED-307572	D SILICON H 1SS131
D12	ED-346528	D ZENER H HZ6C1L
D13	ED-307572	D SILICON H 1SS131
F1	*EF-344106	FUSE ICP-N10 50V 0.4A
F3	*EF-344106	FUSE ICP-N10 50V 0.4A
F4	*EF-344106	FUSE ICP-N10 50V 0.4A
FR1	*ER-328278	R FUSE H ERD2FCV 1/4W 10R0G
IB1	EH-410573J	COMP R RGLST 223J
IB2	EH-408654J	COMP R RGLLE10T 223J
IB3	EH-412085J	COMP R RGLLE3X 223J
IC1	EI-377860	IC M5F7805L
IC2	EI-378893J	IC AN79M05F
IC3	EI-410569J	IC CXA1571S
IC4	EI-413083J	IC CXA1372AS
IC5	EI-410565J	IC CXD2500BQ
IC6	EI-413214J	IC M38112M4-150SP CD79SY1
IC7	EI-413074J	IC LA6523
IC8	EI-410562J	IC LA6520
IC9A	EI-410563J	IC CD0002AD
IC9B	EI-410564J	IC SM5613AP
IC10	EI-408933J	IC ST24C01B1
IC11	EI-360040J1	IC TC74HC04AP
L1	EO-345913	COIL FIX 1 LAL03KH 100K
TR1	ET-370038	TR 25C2910 S.T.U
TR2	ET-345460	TR 2SA1208 R.S.T
TR3A	ET-353899	TR 2SA1317 S.T.U
TR3B	ET-318237	TR 2SB764 EF
TR4	ET-373485	TR DTC123JS
TR5	ET-373485	TR DTC123JS
TR6	ET-354364	TR DTC143TS
TR7	ET-336997	TR 2SB808-V G.H
TR8	ET-336997	TR 2SB808-V G.H
TR9	ET-373485	TR DTC123JS
TR10	ET-373485	TR DTC123JS
TR11	ET-375986	TR DTC124TS

Ref.No.	Part No.	Description
VR1	EV-389489J	R S-FIX H T05EVNDXAA03 0.1W472
VR2	EV-389479J	R S-FIX H T05EVNDXAA03 0.1W223
VR3	EV-389479J	R S-FIX H T05EVNDXAA03 0.1W223
VR4	EV-389479J	R S-FIX H T05EVNDXAA03 0.1W223
X1	EI-374176	OSC XTAL AT-51 16.934AMHZ
X2	EI-381139N	OSC XTAL HC-49/U 16934.400KHZ

5. OPERATION P.C BOARD

Ref.No.	Part No.	Description
D100	ED-410590J	D LED SEL2415E C.D GREEN
D101	ED-405356J	D LED SEL2915A C.D ORANGE
IN100	EM-408468J	IND FL FIPRCAME CHARACTER
RM100	ET-403432J	DETECTOR SPS-420-1
SW100	ES-410552J	SW TACT SKHVBE T05
SW101	ES-410552J	SW TACT SKHVBE T05
SW102	ES-410552J	SW TACT SKHVBE T05
SW104	ES-410552J	SW TACT SKHVBE T05
SW105	ES-410552J	SW TACT SKHVBE T05
SW106	ES-410552J	SW TACT SKHVBE T05
SW107	ES-410552J	SW TACT SKHVBE T05
SW108	ES-410552J	SW TACT SKHVBE T05
TR100	ET-373485	TR DTC123JS
TR101	ET-373485	TR DTC123JS

6. DIGITAL OUT P.C BOARD

Ref.No.	Part No.	Description
IC200	EI-360040J1	IC TC74HC04AP
CJ201	EJ-394490J	SOCKET OPTICAL GP1 F32T
CJ202A	EJ-403487J	PIN J YK21-3117 1P
CJ202B	EJ-403488J	PIN J YK21-3067 1P
CJ202C	EJ-414552J	PIN J YK21-3250 GP 1P
CJ202D	EJ-414553J	PIN J YK21-3146 GP 1P
T200	BT-368261	TRANS PULSE TC-1027-04

7. DAC P.C BOARD (CD-69)

Ref.No.	Part No.	Description
D303	ED-346547	D ZENER H HZ11A1L
D304	ED-346547	D ZENER H HZ11A1L
D305	ED-305655	D ZENER H HZ4 B3
D307	ED-346593	D ZENER H HZ3 B1
IC101	EI-410569J	IC PCM63P-J
IC102	EI-410561J	IC OP-37GP
IC130	EI-393325J	IC M5218AP
IC201	EI-410559J	IC PCM63P-J
IC202	EI-410561J	IC OP-37GP
IC301	EI-377860	IC M5F7805L
IC302	EI-378893J	IC AN79M05F
J301	EJ-403485J	PIN J YK21-3049 4P
TR130	ET-378524J	TR 25C3383 S.T.U
TR230	ET-378524J	TR 25C3383 S.T.U
TR303	ET-370038	TR 25C2910 S.T
TR304	ET-345460	TR 2SA1208 R.S.T
TR321	ET-378524J	TR 25C3383 S.T.U

8. DAC P.C BOARD (CD-79)

Ref.No.	Part No.	Description
D301	ED-410557J	D LED SEL2415ETP2CD GREEN T05
D302	ED-410557J	D LED SEL2415ETP2CD GREEN T05
D303	ED-346529	D ZENER H HZ6C2L
D304	ED-346529	D ZENER H HZ6C2L
D305	ED-305655	D ZENER H HZ4 B3
D306	ED-346538	D ZENER H HZ9A2L
D310	ED-624903	D SILICON H 1S2473
D311	ED-624903	D SILICON H 1S2473
D312	ED-624903	D SILICON H 1S2473
D313	ED-624903	D SILICON H 1S2473
D314	ED-346530	D ZENER H HZ951L
D315	ED-624903	D SILICON H 1S2473
D316	ED-624903	D SILICON H 1S2473
D317	ED-346540	D ZENER H HZ9B1L
D321	ED-346529	D ZENER H HZ6C2L
D322	ED-346529	D ZENER H HZ6C2L
D323	ED-346529	D ZENER H HZ6C2L
D324	ED-346529	D ZENER H HZ6C2L
FR303	*ER-344161	R FUSE H S10 ERD2FCV 1/4W 82R0G
IC101	EI-410560J	IC PCM63P-K
IC102	EI-410561J	IC OP-37GP
IC130	EI-360225	IC NJM5532D
IC201	EI-410560J	IC PCM63P-K
IC202	EI-410561J	IC OP-37GP
IC301	EI-377860	IC M5F7805L
IC302	EI-378893J	IC AN79M05F
J301	EJ-414550J	PIN J YK21-3108 GP 4P
RL310	EQ-410558J	RELAY SIG RY9W-OH-K 2TR 9V
RL311	EQ-410558J	RELAY SIG RY9W-OH-K 2TR 9V
TR130	ET-378524J	TR 25C3383 S.T.U
TR230	ET-378524J	TR 25C3383 S.T.U
TR301	ET-352726	TR 2SA1392 T.U
TR302	ET-378524J	TR 25C3383 S.T.U
TR303	ET-370038	TR 25C2910 S.T
TR304	ET-345460	TR 2SA1208 R.S.T
TR305	ET-353899	TR 2SA1317 S.T.U
TR310	ET-373485	TR DTC123JS
TR311	ET-353899	TR 2SA1317 S.T.U
TR312	ET-353897	TR DTC114ES
TR313	ET-356336	TR DTA114ES
TR314	ET-373485	TR DTC123JS
TR321	ET-378524J	TR 25C3383 S.T.U
TR322	ET-378524J	TR 25C3383 S.T.U

9. POWER SUPPLY P.C BOARD (CD-69)

Ref.No.	Part No.	Description
C502	*EC-410594J	C MMY V CFKC22E 103M 250AC
C503	*EC-410594J	C MMY V CFKC22E 103M 250AC
C506	*EC-316231	C EC V CUT AS1 222M 35.00C
C508	*EC-371127	C EC V CUT AS1 222M 16.00C
C509	*EC-371127	C EC V CUT AS1 222M 16.00C
C512	*EC-201645	C EC V CUT AS1 222M 6.30C
C513	*EC-371127	C EC V CUT AS1 222M 16.00C
D505	*ED-392651J	D SILICON 1N5401 F15 100/3.0A
D509	*ED-511907	D SILICON 1N4002 100/1.0A
D510	*ED-511907	D SILICON 1N4002 100/1.0A
D511	*ED-511907	D SILICON 1N4002 100/1.0A
D512	*ED-511907	D SILICON 1N4002 100/1.0A
D513	*ED-511907	D SILICON 1N4002 100/1.0A
D514	*ED-511907	D SILICON 1N4002 100/1.0A
D515	ED-393759J	D ZENER H HZS6B1L
D516	ED-624903	D SILICON H 1S2473
D517	ED-624903	D SILICON H 1S2473
D518	ED-624903	D SILICON H 1S2473
D519	ED-624903	D SILICON H 1S2473
D520	ED-511907	D SILICON 1N4002 100/1.0A
D521	ED-511907	D SILICON 1N4002 100/1.0A
D522	ED-511907	D SILICON 1N4002 100/1.0A
D523	ED-511907	D SILICON 1N4002 100/1.0A
D524	ED-511907	D SILICON 1N4002 100/1.0A
D525	ED-511907	D SILICON 1N4002 100/1.0A
D526	ED-511907	D SILICON 1N4002 100/1.0A
D527	ED-511907	D SILICON 1N4002 100/1.0A
D528	ED-511907	D SILICON 1N4002 100/1.0A
D529	ED-343854	D ZENER H HZ30-2L
FL501	EQ-358409	COIL LF FKOB160MH02 250UH

Ref.No.	Part No.	Description
FR301	*ER-410572J	R FUSE V T05 ERD2FCV 1/4W27R0G
FR302	*ER-410572J	R FUSE V T05 ERD2FCV 1/4W27R0G
FR304	*ER-328278	R FUSE H ERD2FCV 1/4W 10R0G
FR305	*ER-328278	R FUSE H ERD2FCV 1/4W 10R0G
R522	*ER-414554J	R CB V T05 FLR 25FJ 1/4W 1R0J
R523	*ER-414554J	R CB V T05 FLR 25FJ 1/4W 1R0J
R524	*ER-414554J	R CB V T05 FLR 25FJ 1/4W 1R0J
R525	*ER-414554J	R CB V T05 FLR 25FJ 1/4W 1R0J
TR501	ET-397180J	TR 25C3330 R.S.T.U.V
TR502	ET-363953	TR DTA114TS
TR503	ET-363953	TR DTA114TS
TR504	ET-353899	TR 2SA1317 S.T.U
TR505	ET-371688	TR FET 2SK381 D F05

10. POWER SUPPLY P.C BOARD (CD-79)

Ref.No.	Part No.	Description
C502	*EC-410594J	C MMY V CFKC22E 103M 250AC
C503	*EC-410594J	C MMY V CFKC22E 103M 250AC
C504	*EC-397410J	C EC V CUT AVF 222M 35.00C
C506	*EC-412182J	C EC V CUT AVF 222M 80.00C
C508	*EC-371127	C EC V CUT AS1 222M 16.00C
C509	*EC-371127	C EC V CUT AS1 222M 16.00C
C512	*EC-201645	C EC V CUT AS1 222M 6.30C
C513	*EC-414556J	C EC V CUT FA 222M 16.00C
D601	ED-396266J	D SILICON 300F1 F20 100/3.0A
D505	*ED-396266J	D SILICON 1N5401 F20 100/3.0A
D509	*ED-511907	D SILICON 1N4002 100/1.0A
D510	*ED-511907	D SILICON 1N4002 100/1.0A
D511	*ED-511907	D SILICON 1N4002 100/1.0A
D512	*ED-511907	D SILICON 1N4002 100/1.0A
D513	*ED-511907	D SILICON 1N4002 100/1.0A
D514	*ED-511907	D SILICON 1N4002 100/1.0A
D515	ED-393759J	D ZENER H HZS6B1L
D516	ED-624903	D SILICON H 1S2473
D517	ED-624903	D SILICON H 1S2473
D518	ED-624903	D SILICON H 1S2473
D519	ED-624903	D SILICON H 1S2473
D520	ED-511907	D SILICON 1N4002 100/1.0A
D521	ED-511907	D SILICON 1N4002 100/1.0A
D522	ED-511907	D SILICON 1N4002 100/1.0A
D523	ED-511907	D SILICON 1N4002 100/1.0A
D524	ED-511907	D SILICON 1N4002 100/1.0A
D525	ED-511907	D SILICON 1N4002 100/1.0A
D526	ED-511907	D SILICON 1N4002 100/1.0A
D527	ED-511907	D SILICON 1N4002 100/1.0A
D528	ED-511907	D SILICON 1N4002 100/1.0A
D529	ED-343854	D ZENER H HZ30-2L
FL501	EQ-358409	COIL LF FKOB160MH02 250UH

### 11. PHONE P.C BOARD

Ref.No.	Part No.	Description
D401	ED-346547	D ZENER H HZ11A1L
D402	ED-346547	D ZENER H HZ11A1L
FR401	*ER-400605J	R FUSE V T05 ERD2FCV 1/4W15R0G
FR402	*ER-400605J	R FUSE V T05 ERD2FCV 1/4W15R0G
IC401	EI-393323J	IC M5218AL-771
IC402	EI-393323J	IC M5218AL-771
J401	EJ-410554J	PHONE J 3P LGR1212-0102 6.3
TR401	ET-378524J	TR 2SC3383 S.T.U
TR402	ET-352726	TR 2SA1392 T.U
VR401	EV-412201J	VR SPL RK18Y12MC A203X2 L*20

### 12. POWER SW P.C BOARD

Ref.No.	Part No.	Description
C501A	*EC-403337J	C CE V DE7100 F472M 400AC [CD-69]
C501B	*EC-410594J	C RMY V CPK22E 103M 250AC [CD-79]
SW501	*ES-410570J	SW PUSH SDDL1 BD3.2 01-1

### 13. DAC SW P.C BOARD

Ref.No.	Part No.	Description
D430	ED-405359J	D LED SEL2915A C.D ORANGE
D431	ED-405359J	D LED SEL2915A C.D ORANGE [CD-79]
SW430	ES-410552J	SW TACT SKHYBE T05
SW431	ES-410552J	SW TACT SKHYBE T05 [CD-79]

### 14. LED P.C BOARD

Ref.No.	Part No.	Description
D432	ED-403987J	D LED SLR33MC3F GREEN
D433	ED-403987J	D LED SLR33MC3F GREEN

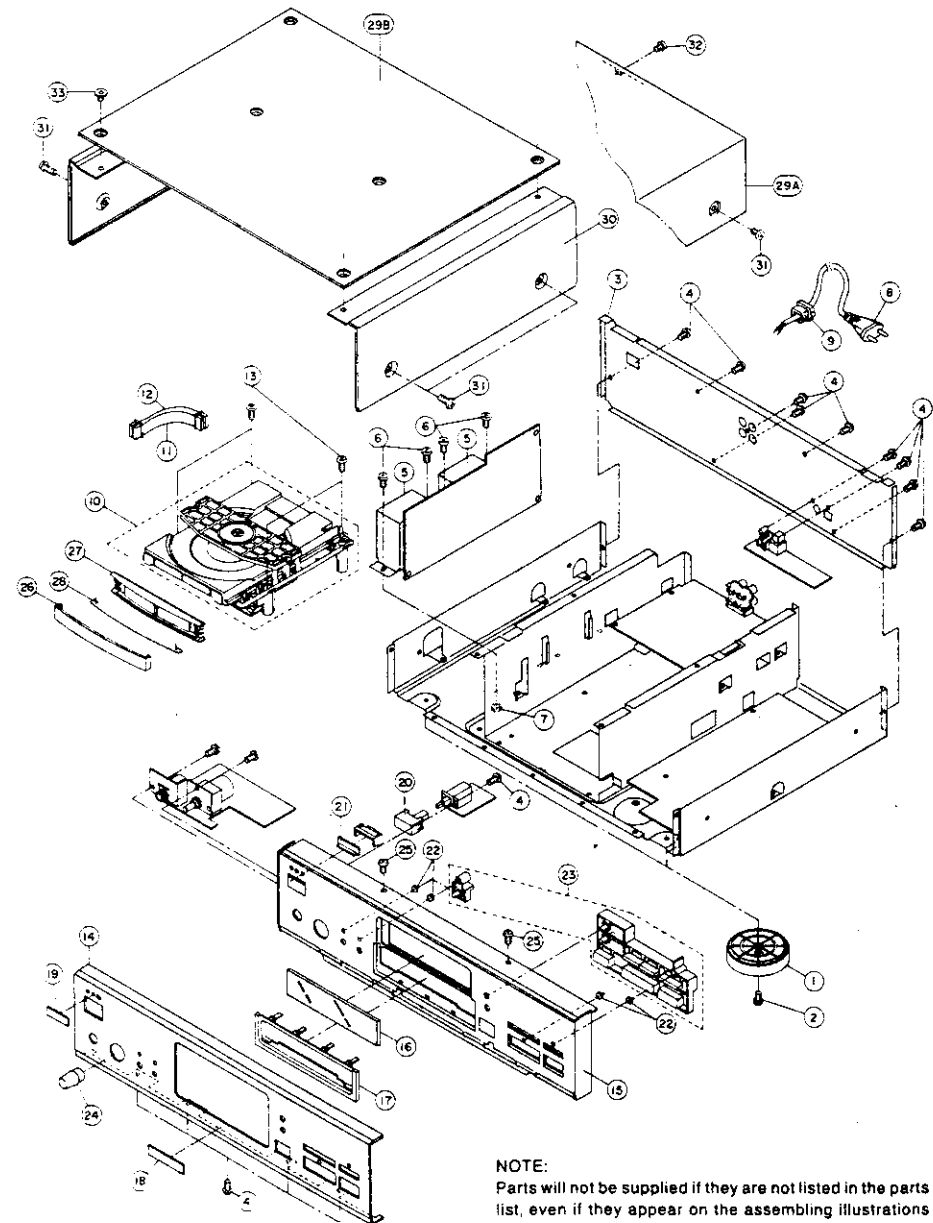
### 15. FINAL ASSEMBLY

Ref.No.	Part No.	Description
1A	SA-379375	FOOT (N) [CD-69]
1B	SA-384105J	FOOT ROUND SHAPED (N) [CD-79]
2A	ZS-393515M	BT BID30X10STL BZN (SG) [CD-69]
2B	ZS-411115M	BT BID30X14STL BZN (SG) [CD-79]
3A	SP-411040M	PANEL REAR CD-69 (E) (SG)
3B	SP-411042M	PANEL REAR CD-69 (B) (SG)
3C	SP-410966M	PANEL REAR CD-79 (E) (SG)
3D	SP-410967M	PANEL REAR CD-79 (B) (SG)
4	ZS-394414J	BT BID30X08STL BZN
5A	*BT-410547M	TRANS POW P2068 EV [CD-69]
5B	*BT-410548M	TRANS POW P2068 BS [CD-69]
5C	*BT-410543M	TRANS POW P2067 EV AUDIO [CD-79]
5D	*BT-410544M	TRANS POW P2067 BS AUDIO [CD-79]
5E	*BT-410545M	TRANS POW P2067 EV DIGITAL [CD-79]
5F	*BT-410546M	TRANS POW P2067 BS DIGITAL [CD-79]
6	ZS-301398	ST BID40X08STL CMT
7	ZW-311744	N40STL CMT 3
8A	*EW-404002M	AC CORD 200 SE-1 WITH TUBE E
8B	*EW-404001M	AC CORD 200 VCTFK WITH TUBE B
9	*EZ-371605	BUSH CORD 2271
10	BB-408481M4	MACHA LOADING KSL-2101ABM
11	EW-408749M	WIRE ASSY YMC-02 PU1 8P
12	EW-408750M	WIRE ASSY YMC-02 PU2 8P
13	ZS-411116M	BT BID30X05STL BZN (SG)
14A	SP-410977J	PANEL FRONT CD-69-B
14B	SP-410976J	PANEL FRONT CD-79-B
15	SE-410979M	ESCUTCHEON FRONT (SG)
16	SE-410960J	WINDOW FLD
17	SZ-410975M	ACOUSTIC SEAL (SG)
18	SM-411035J	NAME PLATE DAC DIRECT OUT [CD-79]
19	SM-365756C	NAME PLATE AKA1 (2)
20	SK-404789J	BUTTON POWER-B
21	SE-373237J1	LENS POW
22	SE-410963M	LENS LED (SG)
23	SK-410901J	BUTTON PLAY
24	SK-411126J	KNOB VR (2)-GR
25	ZS-341989	ST CTS30X06STL CMT
26	SP-410961J	PANEL TRAY
27	SE-411422M	HOLDER PANEL TRAY (SG)
28	SZ-411106J	RING PANEL TRAY
28A	SP-411397M	COVER UPPER-B (1) (SG) [CD-69]
29B	SP-410970M	UPPER BOARD (SG) [CD-79]
30	SP-410971M	SIDE BOARD (SG) [CD-79]
31	ZS-322580	ST BID40X08STL BNI
32	ZS-394412M	BT BID30X08STL BZN PROJECTION [CD-69]
33A	ZS-381482J	SCREW TOP COVER (3) B OM [CD-69]
33B	ZS-377746	SCREW TOP COVER PROJECTION B [CD-79]

### 16. ACCESSARY

Ref.No.	Part No.	Description
1	EW-389765J	CORD 6276 P-P 2P
2A	AX-410550M	REMOCON RC-C69 [CD-69]
2B	AX-410549M	REMOCON RC-C79 [CD-79]

### FINAL ASSEMBLY



NOTE:  
Parts will not be supplied if they are not listed in the parts list, even if they appear on the assembling illustrations with reference No.

# INDEX

Part No.	Ref. No.	Part No.	Ref. No.	Part No.	Ref. No.	Part No.	Ref. No.
AX410549M	16-2B	ED396059J	4-D5	E1378893J	4-IC2	ES733205M	2-10
AX410550M	16-2A	ED396626J	10-D501	E1378893J	7-IC302	ES733394M	2-28
BAP2067T030A	3-1C	ED396626J	10-D505	E1378893J	8-IC302	ET318237	4-TR3B
BAP2067T030B	3-1D	ED403987J	14-D432	E1381139N	4-X2	ET336997	4-TR7
BAP2067T030C	3-1A	ED403987J	14-D433	E1393323J	11-IC401	ET336997	4-TR8
BAP2067T030D	3-1B	ED405359J	5-D101	E1393323J	11-IC402	ET345460	4-TR2
BAP2067T040A	3-2C	ED405359J	13-D430	E1393325J	7-IC130	ET345460	7-TR304
BAP2067T040B	3-2D	ED405359J	13-D431	E1408393J	4-IC10	ET345460	8-TR304
BAP2067T040C	3-2A	ED410557J	8-D301	E1410559J	7-IC101	ET352726	8-TR301
BAP2067T040D	3-2B	ED410557J	8-D302	E1410559J	7-IC201	ET352726	11-TR402
BB408481M4	15-10	ED410590J	5-D100	E1410560J	8-IC101	ET353897	8-TR312
BM733203M	2-8	ED511907	9-D509	E1410560J	8-IC201	ET353899	4-TR3A
BM733395M	2-29	ED511907	9-D510	E1410561J	7-IC102	ET353899	8-TR305
BO394728J1	2-5	ED511907	9-D511	E1410561J	7-IC202	ET353899	8-TR311
BT368261	8-T200	ED511907	9-D512	E1410561J	8-IC102	ET353899	9-TR504
BT410543M	15-5C	ED511907	9-D513	E1410561J	8-IC202	ET353899	10-TR504
BT410544M	15-5D	ED511907	9-D514	E1410562J	4-IC8	ET354364	4-TR6
BT410545M	15-5E	ED511907	9-D520	E1410563J	4-IC9A	ET356336	8-TR313
BT410546M	15-5F	ED511907	9-D521	E1410564J	4-IC9B	ET363953	9-TR502
BT410547M	15-5A	ED511907	9-D522	E1410565J	4-IC5	ET363953	9-TR503
BT410548M	15-5B	ED511907	9-D523	E1410569J	4-IC3	ET363953	10-TR502
EA733204M	2-9	ED511907	9-D524	E1413074J	4-IC7	ET363953	10-TR503
EC201645	9-C512	ED511907	9-D525	E1413083J	4-IC4	ET370038	4-TR1
EC201645	10-C512	ED511907	9-D526	E1413214J	4-IC6	ET370038	7-TR303
EC316231	9-C506	ED511907	9-D527	EJ394490J	6-CJ201	ET370038	8-TR303
EC371127	9-C508	ED511907	9-D528	EJ403485J	7-J301	ET371688	9-TR505
EC371127	9-C509	ED511907	10-D509	EJ403485J	6-CJ202B	ET371688	10-TR505
EC371127	9-C513	ED511907	10-D510	EJ403487J	6-CJ202A	ET373485	4-TR4
EC371127	10-C508	ED511907	10-D511	EJ410554J	11-JA01	ET373485	4-TR5
EC371127	10-C509	ED511907	10-D512	EJ414550J	8-J301	ET373485	4-TR9
EC397410J	10-C504	ED511907	10-D513	EJ414552J	6-CJ202C	ET373485	4-TR10
EC403337J	12-C501A	ED511907	10-D514	EJ414553J	6-CJ202D	ET373485	5-TR100
EC410594J	9-C502	ED511907	10-D520	EJ733206M	2-11	ET373485	5-TR101
EC410594J	9-C503	ED511907	10-D521	EMA08468J	5-IN100	ET373485	8-TR310
EC410594J	10-C502	ED511907	10-D522	EC338409	9-FL501	ET373485	8-TR314
EC410594J	10-C503	ED511907	10-D523	EC338409	10-FL501	ET375906	4-TR11
EC410594J	12-C501B	ED511907	10-D524	EC345913	4-L1	ET378524J	7-TR130
EC412182J	10-C506	ED511907	10-D525	EQ410558J	8-RL310	ET378524J	7-TR230
EC414556J	10-C513	ED511907	10-D526	EQ410558J	8-RL311	ET378524J	7-TR321
ED305655	7-D305	ED511907	10-D527	ER328278	4-FR1	ET378524J	8-TR130
ED305655	8-D305	ED511907	10-D528	ER328278	9-FR304	ET378524J	8-TR230
ED307572	4-D7	ED624903	4-D2	ER328278	9-FR305	ET378524J	8-TR302
ED307572	4-D8	ED624903	4-D6	ER328278	10-FR304	ET378524J	8-TR321
ED307572	4-D9	ED624903	8-D310	ER328278	10-FR305	ET378524J	8-TR322
ED307572	4-D10	ED624903	8-D311	ER344161	8-FR303	ET378524J	11-TR401
ED307572	4-D11	ED624903	8-D312	ER400605J	11-FR401	ET397160J	9-TR501
ED307572	4-D13	ED624903	8-D313	ER400605J	11-FR402	ET397160J	10-TR501
ED343854	9-D529	ED624903	8-D315	ER410572J	9-FR301	ET403432J	5-RM100
ED343854	10-D529	ED624903	8-D316	ER410572J	9-FR302	EV389479J	4-VR2
ED346528	4-D12	ED624903	9-D516	ER412063J	10-FR301	EV389479J	4-VR3
ED346529	8-D303	ED624903	9-D517	ER412063J	10-FR302	EV389479J	4-VR4
ED346529	8-D304	ED624903	9-D518	ER414554J	9-R522	EV389489J	4-VR1
ED346529	8-D321	ED624903	9-D519	ER414554J	9-R523	EV412201J	11-VR401
ED346529	8-D322	ED624903	10-D516	ER414554J	9-R524	EW389765J	16-1
ED346529	8-D323	ED624903	10-D517	ER414554J	9-R525	EW404001M	15-8B
ED346529	8-D324	ED624903	10-D518	ER414554J	10-R520	EW404002M	15-8A
ED346530	4-D3	ED624903	10-D519	ER414554J	10-R521	EW408749M	15-11
ED346530	4-D4	EF344106	4-F1	ER414554J	10-R522	EW408750M	15-12
ED346538	8-D306	EF344106	4-F3	ER414554J	10-R523	EZ071605	15-9
ED346540	8-D314	EF344106	4-F4	ES410552J	5-SW100	MA733202M	2-7
ED346540	8-D317	EF344106	4-F5	ES410552J	5-SW101	MA733388M	2-22
ED346547	7-D303	EH408654J	4-IB2	ES410552J	5-SW102	MB733396M	2-2
ED346547	7-D304	EH410573J	4-IB1	ES410552J	5-SW104	MB733399M	2-32
ED346547	11-D401	EH412085J	4-IB3	ES410552J	5-SW105	MR733402M	2-31
ED346547	11-D402	EI360040J1	4-IC11	ES410552J	5-SW106	MS733198M	2-1
ED346593	7-D307	EI360040J1	6-IC200	ES410552J	5-SW107	MZ733200M	2-4
ED392651J	9-D505	EI374176	4-X1	ES410552J	5-SW108	MZ733201M	2-6
ED393759J	9-D515	EI377860	4-IC1	ES410552J	13-SW430	MZ733381M	2-15
ED393759J	10-D515	EI377860	7-IC301	ES410552J	13-SW431	MZ733382M	2-16
ED396059J	4-D1	EI377860	8-IC301	ES410570J	12-SW501	MZ733384M	2-18

PARTS LIST

Part No.	Ref. No.	Part No.	Ref. No.	Part No.	Ref. No.	Part No.	Ref. No.
MZ733385M	2-19						
MZ733386M	2-20						
MZ733387M	2-21						
MZ733392M	2-26						
MZ733393M	2-27						
MZ733401M	2-30						
SA379375	15-1A						
SA384105J	15-1B						
SC733379M	2-13						
SC733380M	2-14						
SE373237J1	15-21						
SE410960J	15-16						
SE410963M	15-22						
SE410979M	15-15						
SE411422M	15-27						
SK404769J	15-20						
SK410901J	15-23						
SK411126J	15-24						
SM365756C	15-19						
SM411035J	15-18						
SP410961J	15-26						
SP410966M	15-3C						
SP410967M	15-3D						
SP410970M	15-29B						
SP410971M	15-30						
SP410976J	15-14B						
SP410977J	15-14A						
SP411040M	15-3A						
SP411042M	15-3B						
SP411397M	15-29A						
SZ410975M	15-17						
SZ411109J	15-28						
ZG733199M6	2-3						
ZG733389M	2-23						
ZS301398	15-6						
ZS322580	15-31						
ZS341989	15-25						
ZS377746	15-38B						
ZS381482J	15-33A						
ZS393515M	15-2A						
ZS394412M	15-32						
ZS394414J	15-4						
ZS411115M	15-2B						
ZS411116M	15-13						
ZS477876	2-12						
ZS733383M	2-17						
ZS733390M	2-24						
ZS733391M	2-25						
ZS733400M	2-33						
ZW311744	15-7						

PARTS LIST

**NOTE**

**ABBREVIATIONS (COMPACT DISC)**

ABBREVIATION	EXPLANATION	ABBREVIATION	EXPLANATION
A-D	Analog to Digital (Converter)	Mb	Mega Bits
ADC	Analog to Digital (Converter)	MDA	Motor Drive Amplifier
BCD	Binary Code Decimal	MFM	Modified Frequency Modulation
BPI	Bits per Inch	MM	Mono-stable Multivibrator
CD	Compact Disc	M <sup>2</sup> FM	Modified Modified Frequency Modulation
CIRC	Cross Interleaving & Reed Solomon Coding	MOD2	Modulo 2 (Addition)
CLV	Constant Linear Velocity	MP	Microprocessor
CP	Clock Pulses	MSB	Most Significant Bit
CRCC	Cyclic Redundancy Check Codes	NA	Numerical Aperture
D Level	Decision Level	NRZ	Non Return to Zero
D-A	Digital to Analog (Converter)	NRZ-1	Non Return to Zero Inverted
DAC	Digital to Analog (Converter)	P	Parity Data
DAD	Digital Audio Disc	PAM	Pulse Amplitude Modulation
DEM	Dynamic Element Matching	PCM	Pulse Code Modulation
DPD	Differential Phase Detection	PD	Phase Detector
DSV	Digital Sum Value	PE	Phase Encode
EFM	Eight to fourteen Modulation	PLL	Phase Locked Loop
EX-OR	EXclusive OR	PNM	Pulse Number Modulation
FCI	Flux Changes per Inch	PPM	Pulse Phase Modulation
FIR	Finite Impulse Response	PWM	Pulse Width Modulation
FP	Front Pulse	Q	Parity Data
FPG	Front Pulse Gate	R, R <sub>1</sub> , R <sub>2</sub> , etc.	Data for Right Channel
f	Frequency of Sampling	RAM	Random Access Memory
GF	Galois Field	RPG	Rear Pulse Gate
H & V (Parity)	Horizontal & Vertical	SCOOP	Self Coupled Optical Pick-up
IIR	Infinite Impulse Response	S & H	Sample & Hold
kb	Kilo Bits	S/N	Signal to Noise Ratio
L, L <sub>1</sub> , L <sub>2</sub> , etc.	Data for Left Channel	SSG	Standard Signal Generator
LPF	Low Pass Filter	SYSCON	SYSTEM CONTROL
LSB	Least Significant Bit		

# AKAI

MODEL **CD-69**

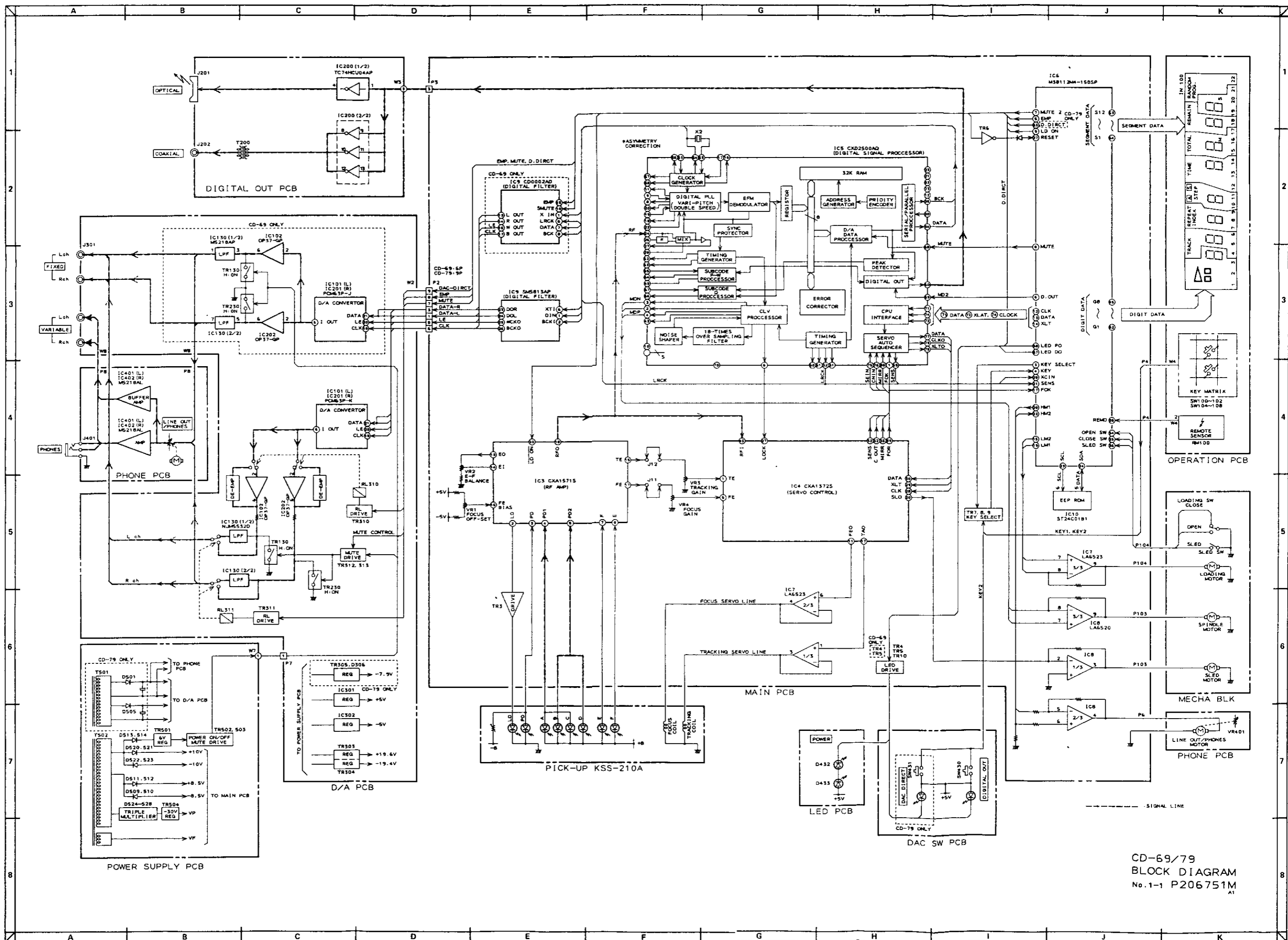
MODEL **CD-79**

## SCHEMATIC DIAGRAMS AND PC BOARDS

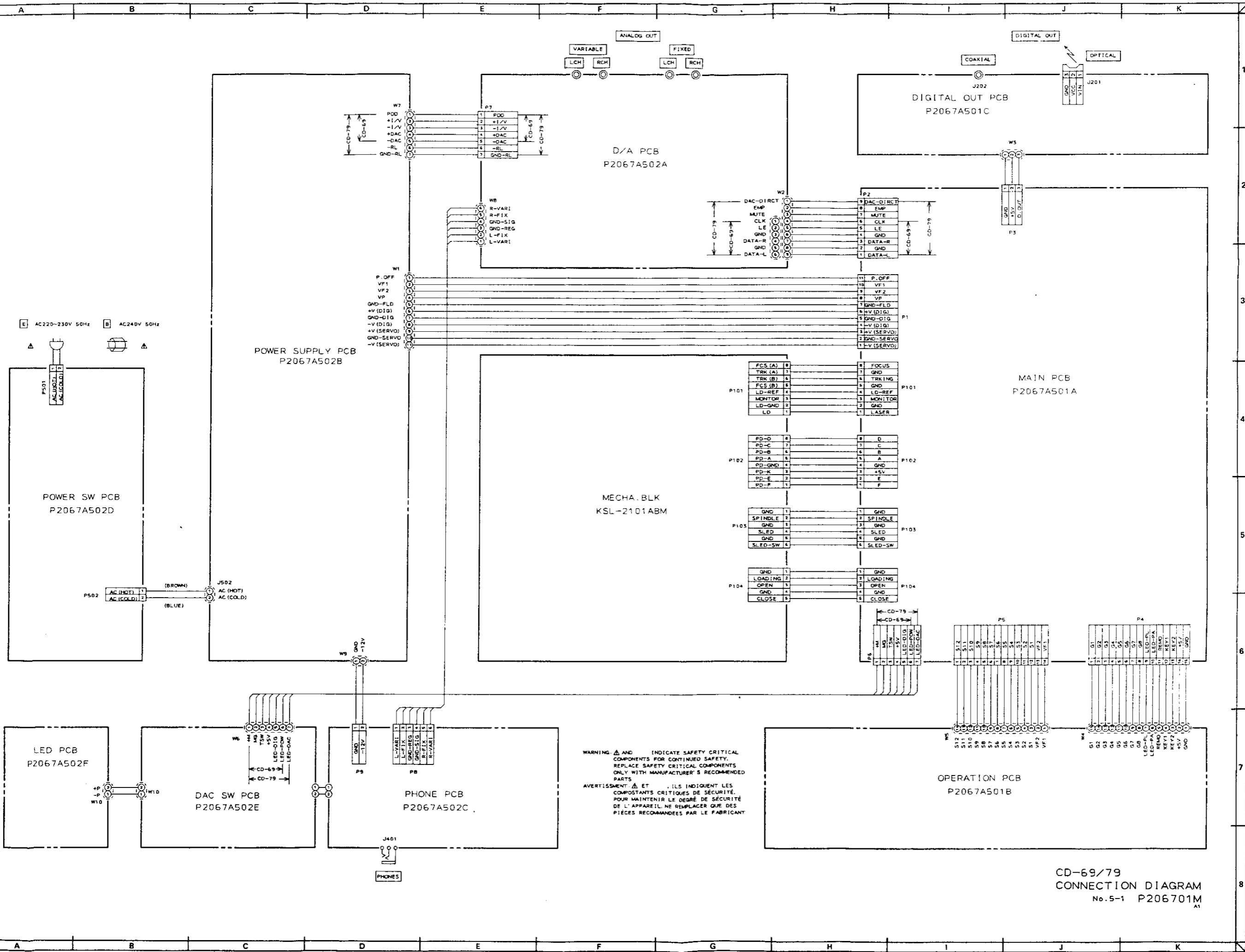
### TABLE OF CONTENTS

1. BLOCK DIAGRAM .....	3
2. CD-69, 79 CONNECTION DIAGRAM .....	4
3. POWER SW AND POWER SUPPLY PC BOARDS .....	5
4. D/A AND OTHER PC BOARDS .....	6
5. CD-69 POWER SUPPLY & D/A SCHEMATIC DIAGRAM .....	7
6. CD-79 POWER SUPPLY & D/A SCHEMATIC DIAGRAM .....	8
7. POWER SUPPLY AND OTHER PC BOARDS .....	9
8. CD-69 MAIN & OPERATION SCHEMATIC DIAGRAM .....	10
9. OPERATION AND OTHER PC BOARDS .....	11
10. CD-79 MAIN & OPERATION SCHEMATIC DIAGRAM .....	12
11. DIGITAL OUT AND OPERATION PC BOARDS .....	14
12. INFORMATION OF ICs .....	15

Use these schematic diagrams and PC boards together with the provided service manual.



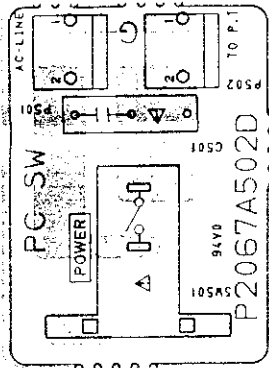
CD-69/79  
BLOCK DIAGRAM  
No.1-1 P206751M  
A1



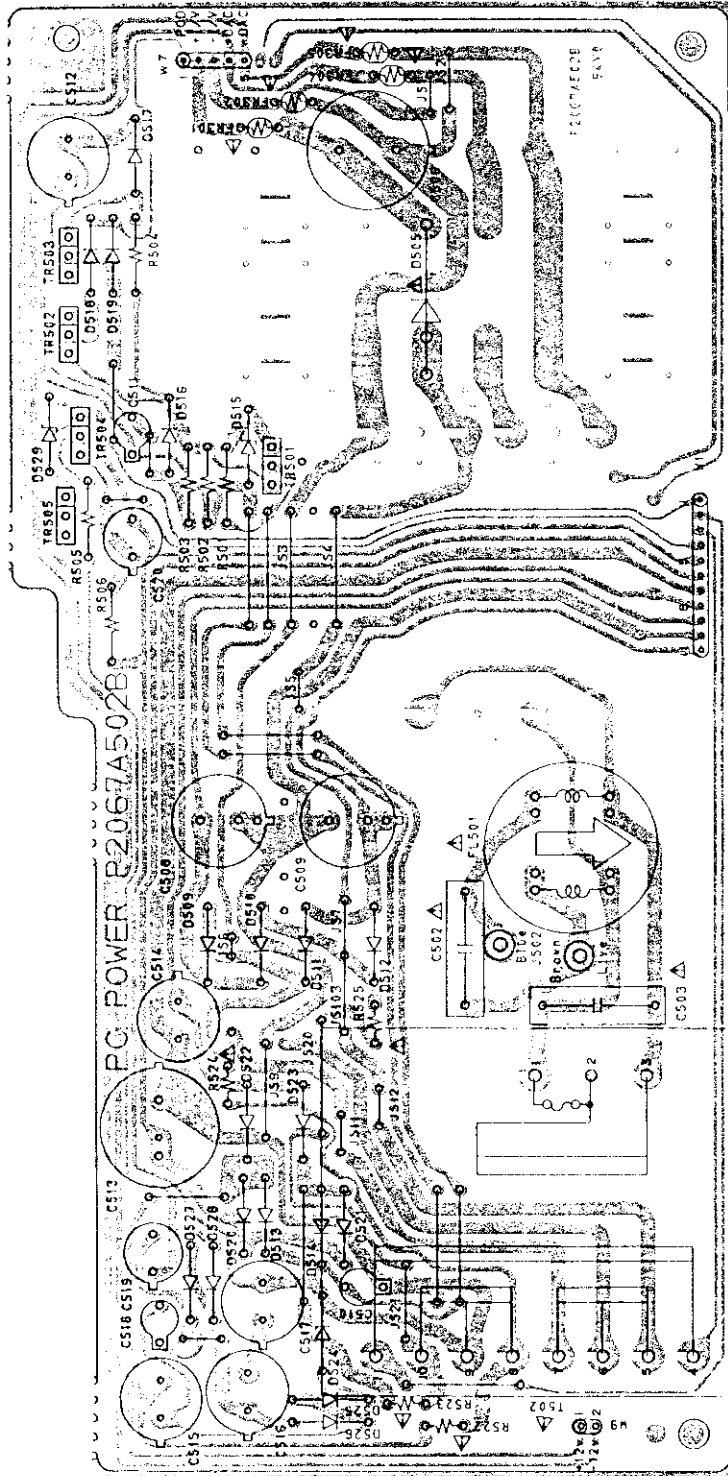
WARNING ⚠ AND INDICATE SAFETY CRITICAL COMPONENTS FOR CONTINUED SAFETY. REPLACE SAFETY CRITICAL COMPONENTS ONLY WITH MANUFACTURER'S RECOMMENDED PARTS.

AVERTISSEMENT ⚠ ET . ILS INDICENT LES COMPOSTANTS CRITIQUES DE SÉCURITÉ. POUR MAINTENIR LE DEGRÉ DE SÉCURITÉ DE L'APPAREIL, NE REMPLACER QUE DES PIÈCES RECOMMANDÉES PAR LE FABRICANT.

CD-69/79  
 CONNECTION DIAGRAM  
 No. 5-1 P206701M  
 A1



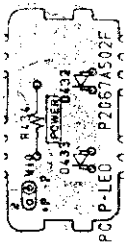
POWER SW PCB P2067A502D



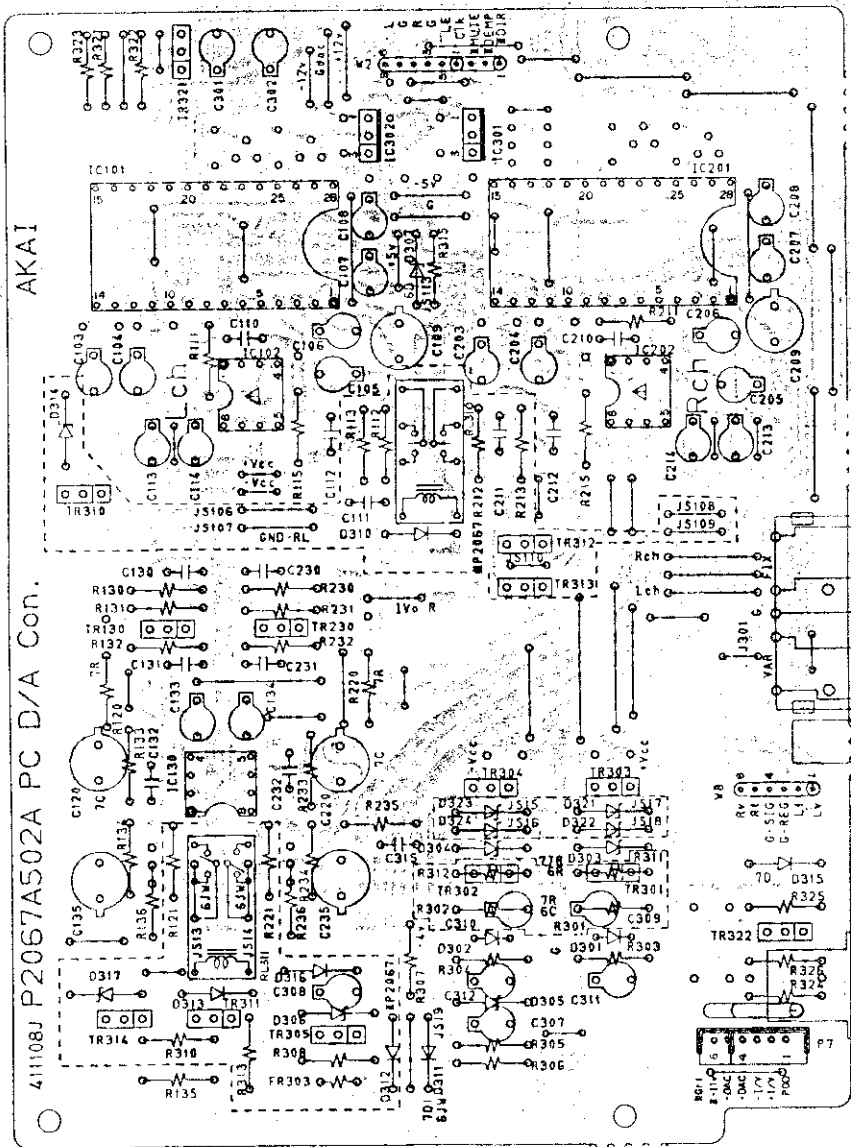
POWER SUPPLY PCB P2067A502B

WARNING: INDICATES SAFETY CRITICAL COMPONENTS FOR CONTINUED SAFETY.  
 REPLACE ONLY WITH IDENTICAL COMPONENTS ONLY WITH MANUFACTURER'S  
 RECOMMENDED PARTS.  
 ATTENTION: IL INDIQUE LES COMPOSANTS CRITIQUES DE SECURITE.  
 POUR MAINTENIR LE DEGRE DE SECURITE DE L'APPAREIL,  
 NE REMPLACEZ QUE DES PIÉCES RECOMMANDÉES PAR LE FABRICANT.





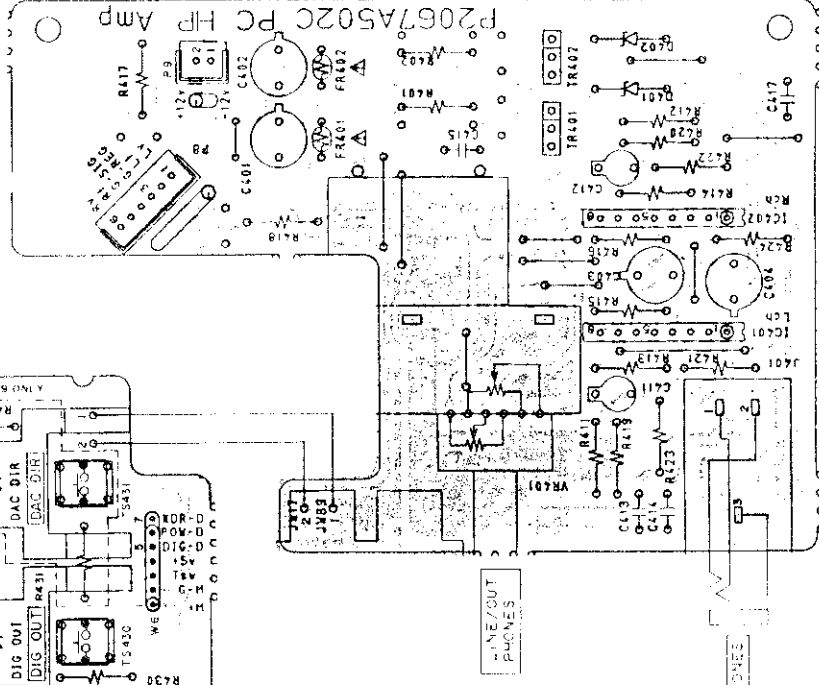
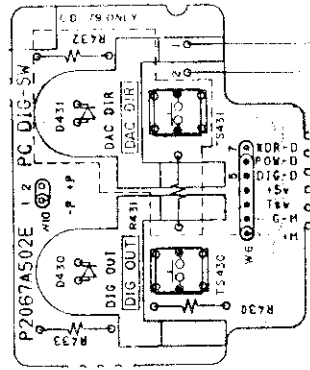
LED PCB  
P2067A502F



D/A PCB P2067A502A

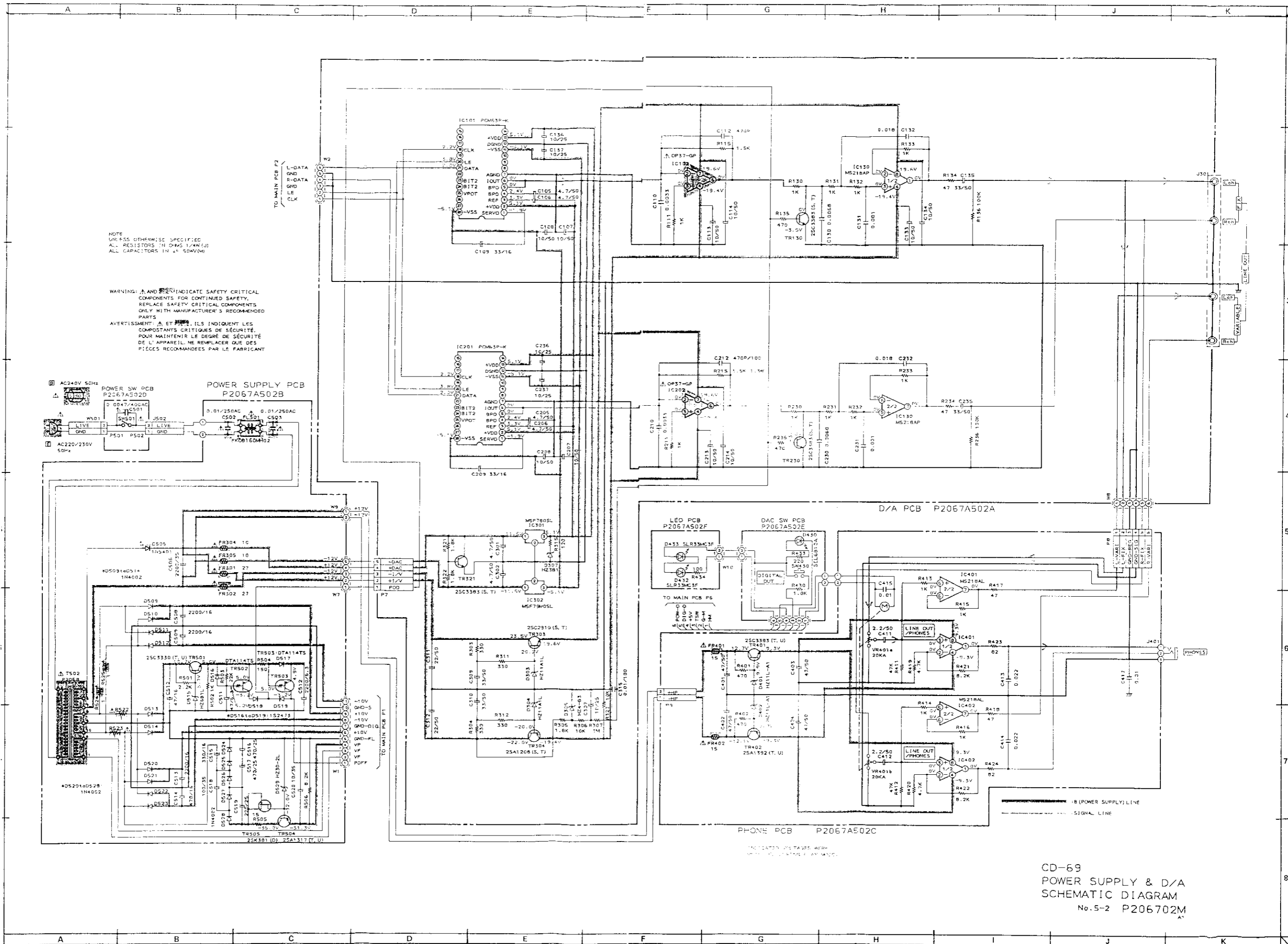
NOTE: PARTS DIFFER DEPENDING ON MODEL NUMBER.  
REFER TO SCHEMATIC DIAGRAMS FOR PERTINENT  
PARTS INFORMATION

DAC SW PCB P2067A502E



PHONE PCB P2067A502C

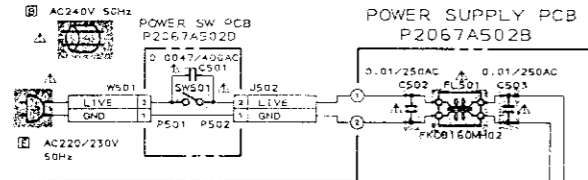
WARNING: ALWAYS VERIFY ORIGINAL COMPONENTS FOR IDENTICAL QUALITY.  
REPLACE ALL CAPACITORS WITH QUALITY COMPONENTS.  
RECHÉCHER LES PARTS D'ORIGINALITÉ.  
REPLACER TOUJOURS LES CONDENSATEURS PAR DES ÉLÉMENTS DE QUALITÉ ÉGIVALE.  
POUR VÉRIFIER LE NIVEAU DE SÉCURITÉ DE VOS PARTS, S'IL Y A UN  
REEMPLACEMENT, IL DOIT ÊTRE RECOMMANDÉ PAR LE FABRICANT.



NOTE  
 UNLESS OTHERWISE SPECIFIED  
 ALL RESISTORS IN OHMS (K=1K) (M=1M)  
 ALL CAPACITORS IN μF (50WV=50VDC)

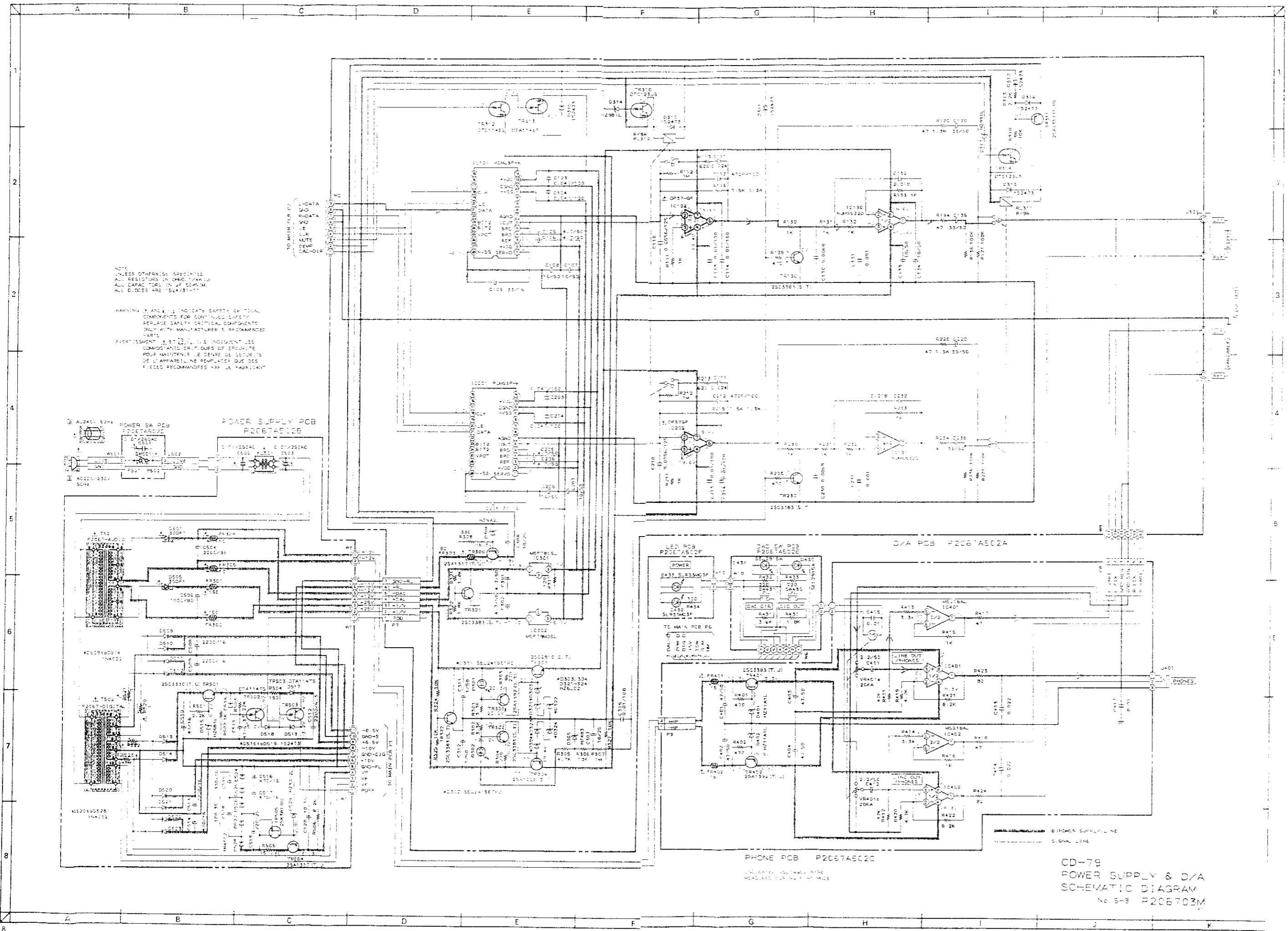
WARNING: ⚠ AND ⚡ INDICATE SAFETY CRITICAL COMPONENTS FOR CONTINUED SAFETY. REPLACE SAFETY CRITICAL COMPONENTS ONLY WITH MANUFACTURER'S RECOMMENDED PARTS.

AVERTISSEMENT: ⚠ ET ⚡ ILS INDIQUENT LES COMPOSANTS CRITIQUES DE SÉCURITÉ. POUR MAINTENIR LE DEGRÉ DE SÉCURITÉ DE L'APPAREIL, NE REMPLACER QUE DES PIÈCES RECOMMANDÉES PAR LE FABRICANT.



— (POWER SUPPLY) LINE  
 - - - - - SIGNAL LINE

CD-69  
 POWER SUPPLY & D/A  
 SCHEMATIC DIAGRAM  
 No. 5-2 P206702M

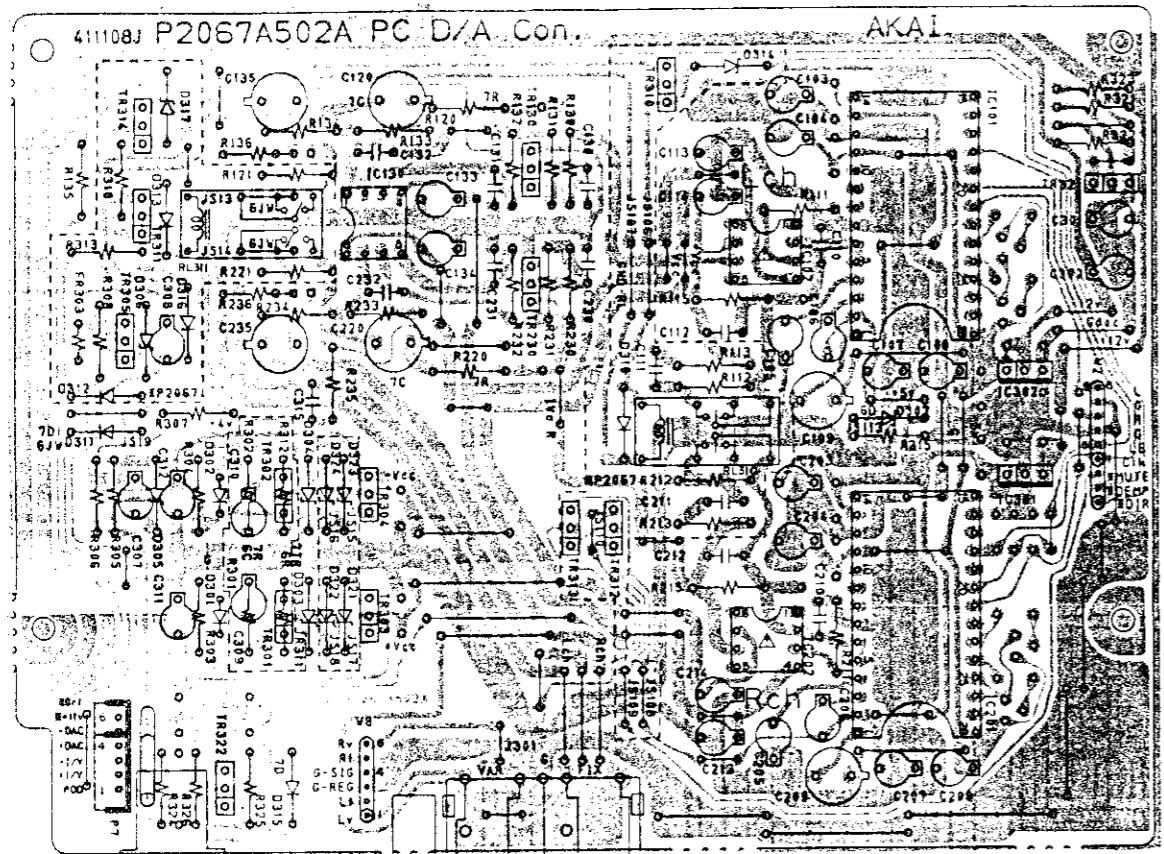


NOTE  
UNLESS OTHERWISE SPECIFIED  
A. RESISTORS IN OHMS (VARIES)  
ALL CAPACITORS IN  $\mu$ F (50V)  
ALL DIMENSIONS IN INCHES

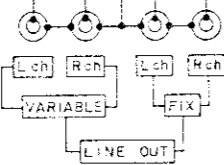
WARNING: SAFETY CRITICAL COMPONENTS FOR CONTINUED SAFETY  
REPLACE SAFETY CRITICAL COMPONENTS  
ONLY WITH MANUFACTURER'S RECOMMENDED  
PARTS

AVERTISSEMENT: SÉCURITÉ CRITIQUE  
COMPOSANTS CRITIQUE DE SÉCURITÉ  
POUR MAINTENIR LE DEGRÉ DE SÉCURITÉ  
DE L'APPAREIL, NE REMPLACEZ QUE DES  
PIÈCES RECOMMANDÉES PAR LE FABRICANT

CD-79  
POWER SUPPLY & D/A  
SCHEMATIC DIAGRAM  
No. 5-3 P206703M

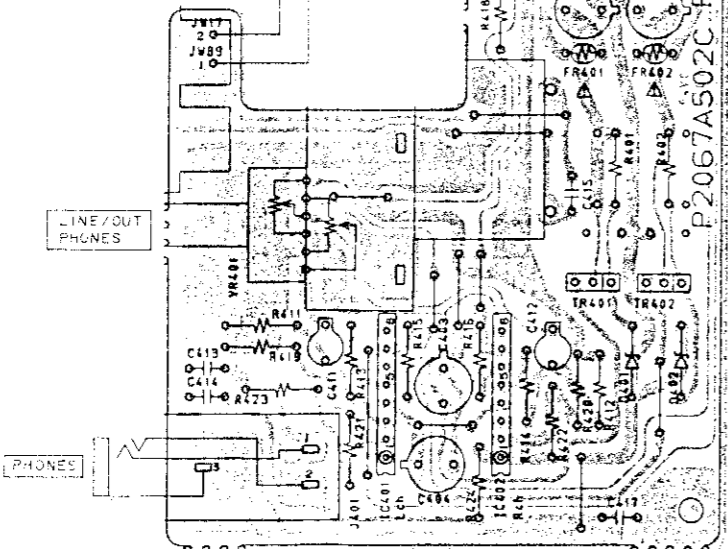
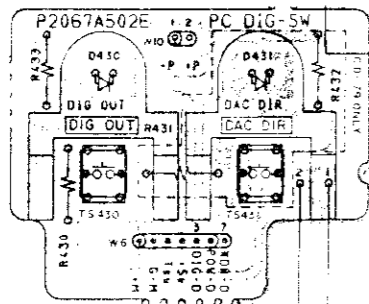


D/A PCB P2067A502A



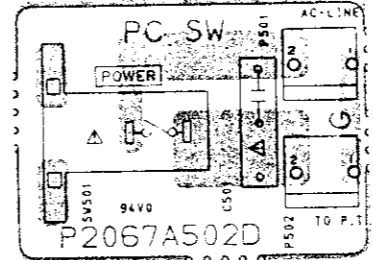
NOTE: PARTS DIFFER DEPENDING ON MODEL NUMBER.  
REFER TO SCHEMATIC DIAGRAMS FOR PERTINENT  
PARTS INFORMATION.

DAC SW PCB P2067A502E

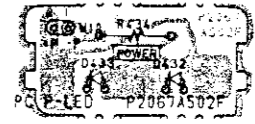


PHONE PCB P2067A502C

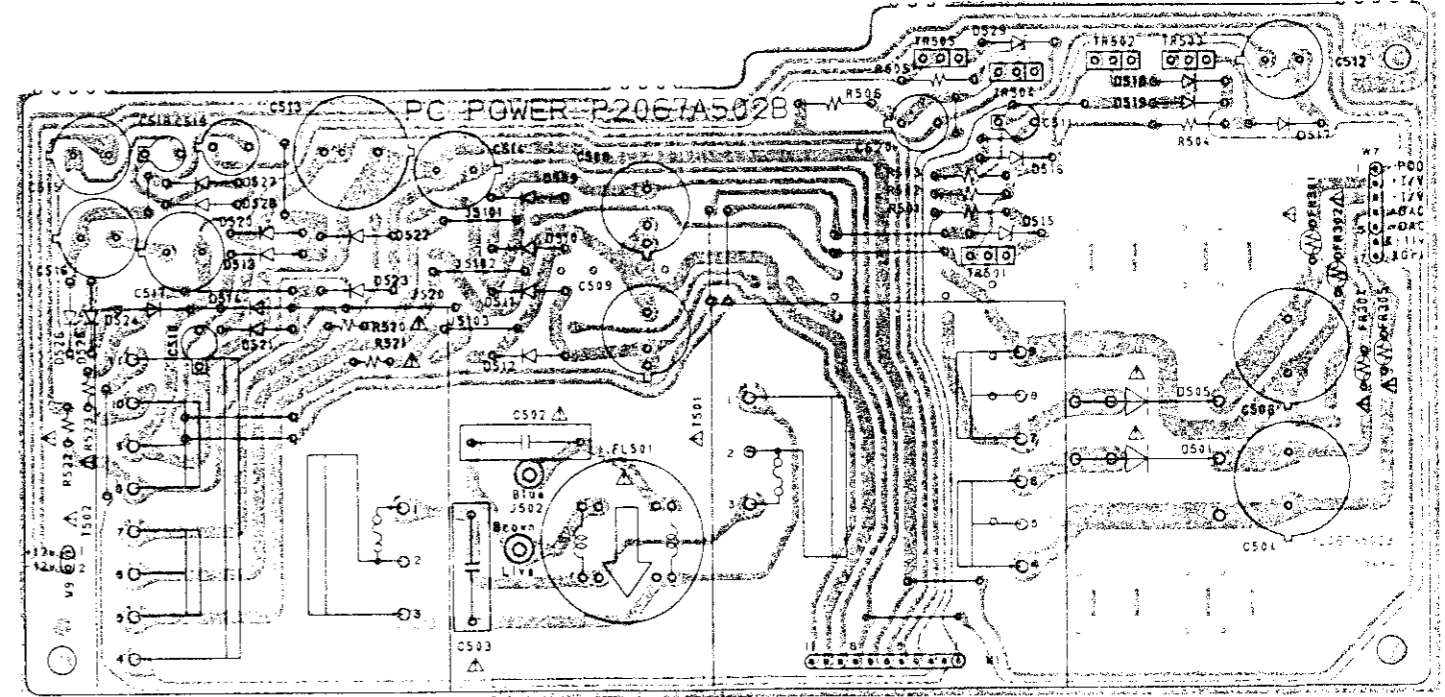
WARNING: Δ INDICATES SAFETY CRITICAL COMPONENTS. FOR CONTINUED SAFETY  
REPLACE SAFETY CRITICAL COMPONENTS ONLY WITH MANUFACTURER'S  
RECOMMENDED PARTS.  
AVERTISSEMENT: Δ IL INDIQUE LES COMPOSANTS CRITIQUES DE SÉCURITÉ.  
POUR MAINTENIR LE DEGRÉ DE SÉCURITÉ DE L'APPAREIL,  
NE REMPLACEZ QUE DES PIÈCES RECOMMANDÉES PAR LE FABRICANT.



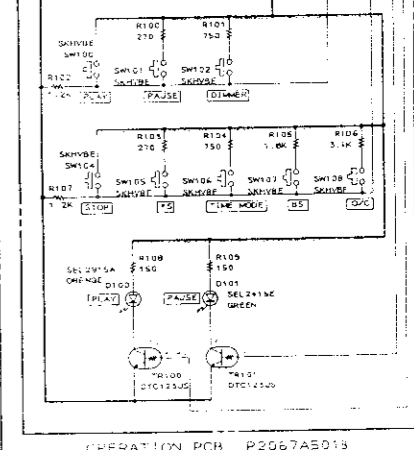
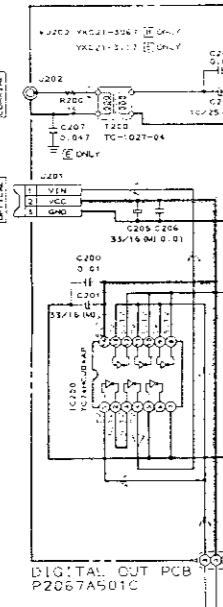
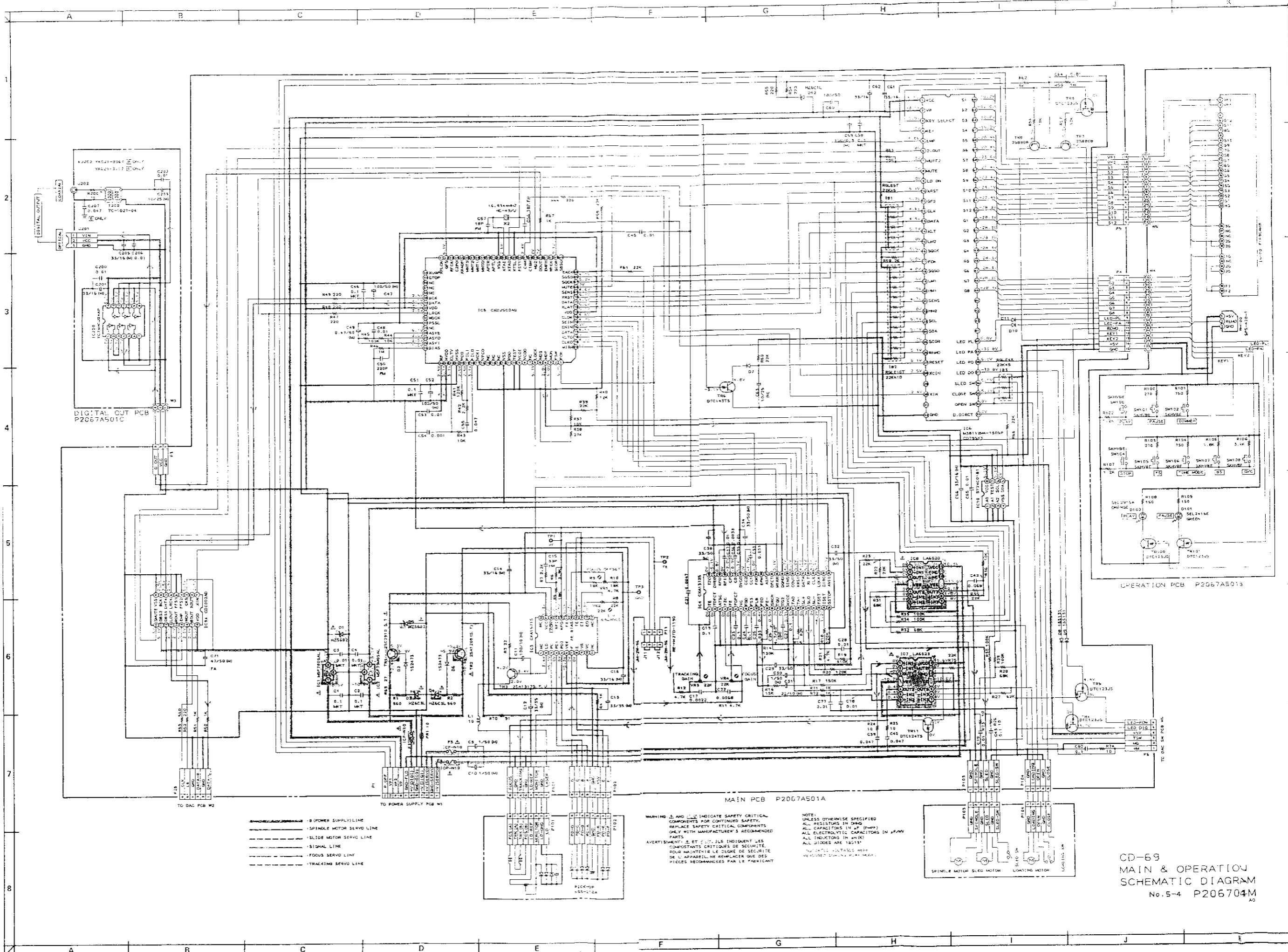
POWER SW PCB P2067A502D



LED PCB  
P2067A502F



POWER SUPPLY PCB P2067A502B



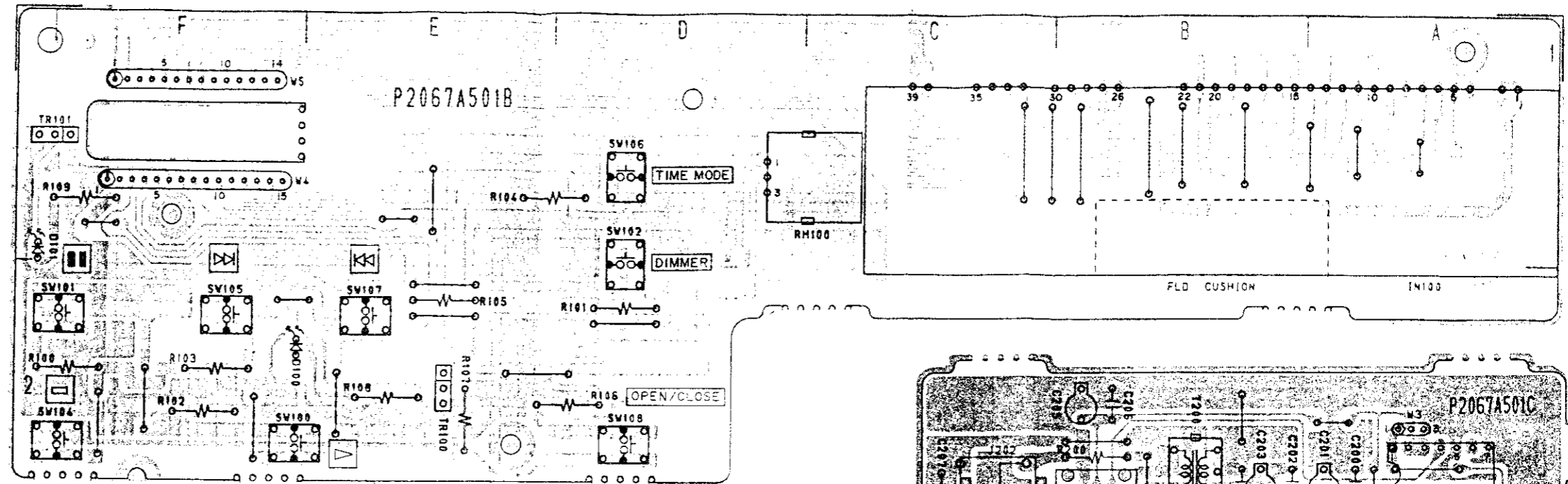
- POWER SUPPLY LINE
- SPINDLE MOTOR SERVO LINE
- SLIDE MOTOR SERVO LINE
- SIGNAL LINE
- FOCUS SERVO LINE
- TRACKING SERVO LINE

**WARNING** ⚠ and ⚡ INDICATE SAFETY CRITICAL COMPONENTS FOR CONTINUED SAFETY. REPLACE SAFETY CRITICAL COMPONENTS ONLY WITH MANUFACTURER'S RECOMMENDED PARTS.

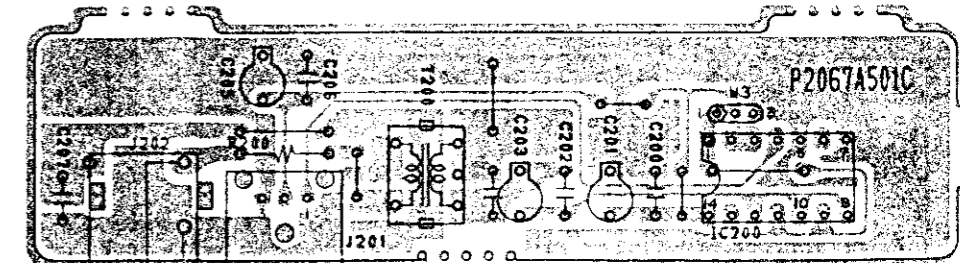
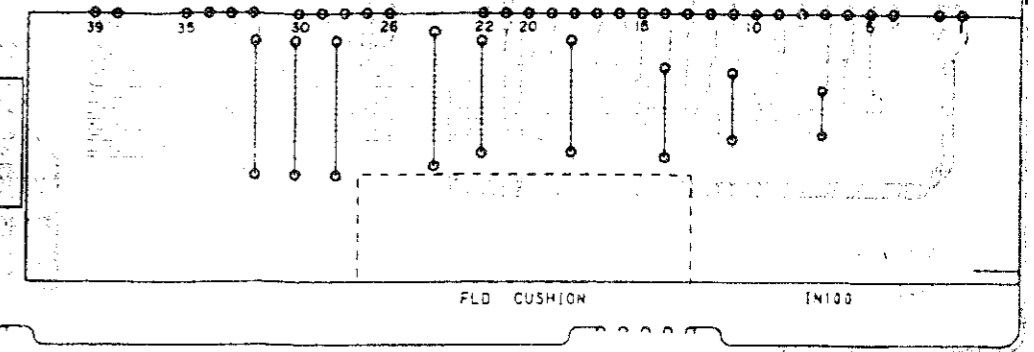
**AVERTISSEMENT** ⚠ et ⚡ ILS INDIQUENT LES COMPOSANTS CRITIQUES DE SECURITE. POUR MAINTENIR LE DEGRE DE SECURITE DE L'APPAREIL, NE REMPLACEZ QUE DES PIECES RECOMMANDEES PAR LE FABRICANT.

**NOTE:** UNLESS OTHERWISE SPECIFIED ALL RESISTORS IN OHMS ALL CAPACITORS IN μF (μF) ALL ELECTROLYTIC CAPACITORS IN μF/WV ALL INDUCTORS IN mH ALL DIMENSIONS ARE IN INCHES

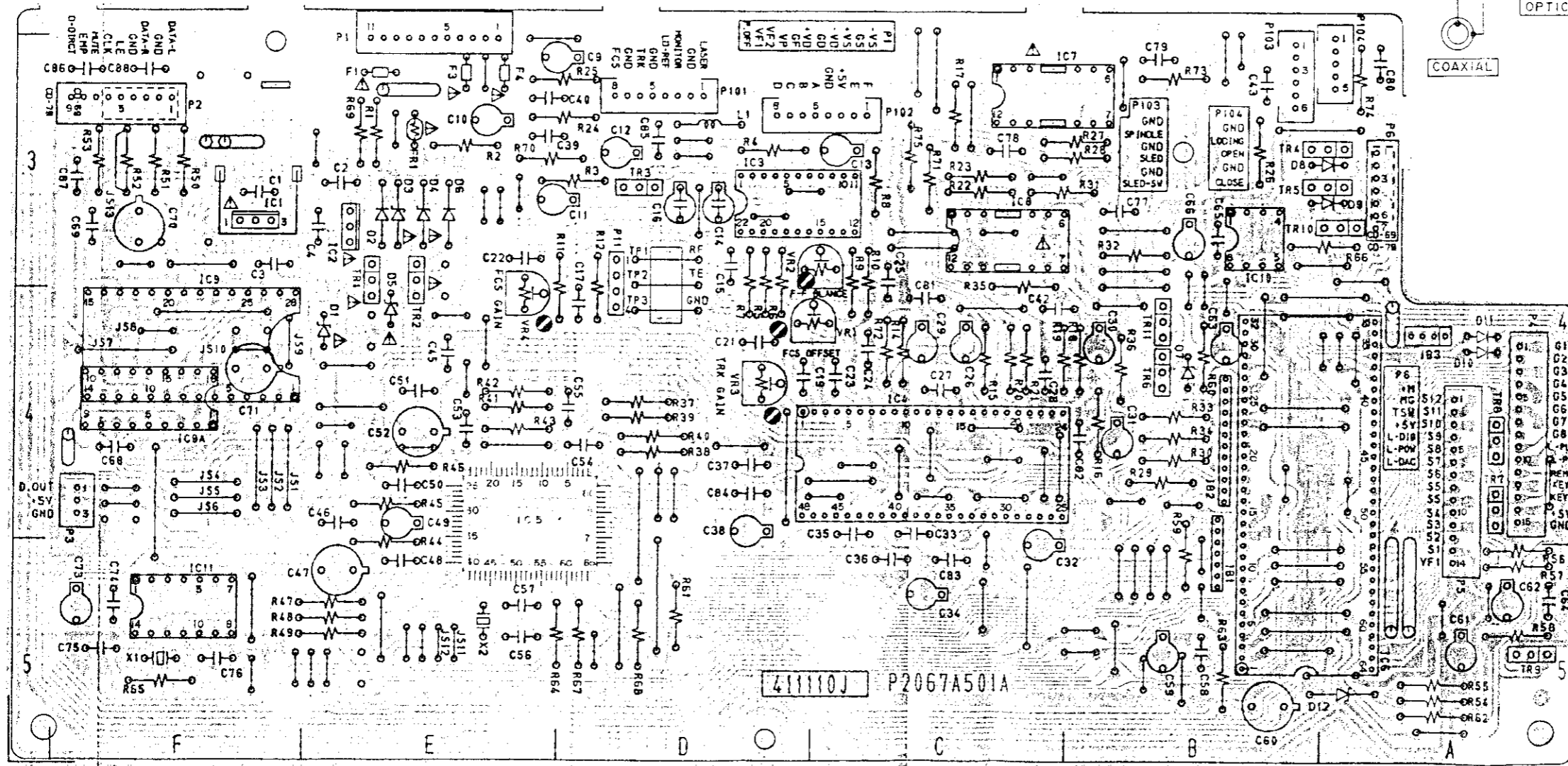
CD-69  
MAIN & OPERATION  
SCHEMATIC DIAGRAM  
No. 5-4 P206704M  
A0



OPERATION PCB P2067A501B



DIGITAL OUT PCB P2067A501C



MAIN PCB P2067A501A

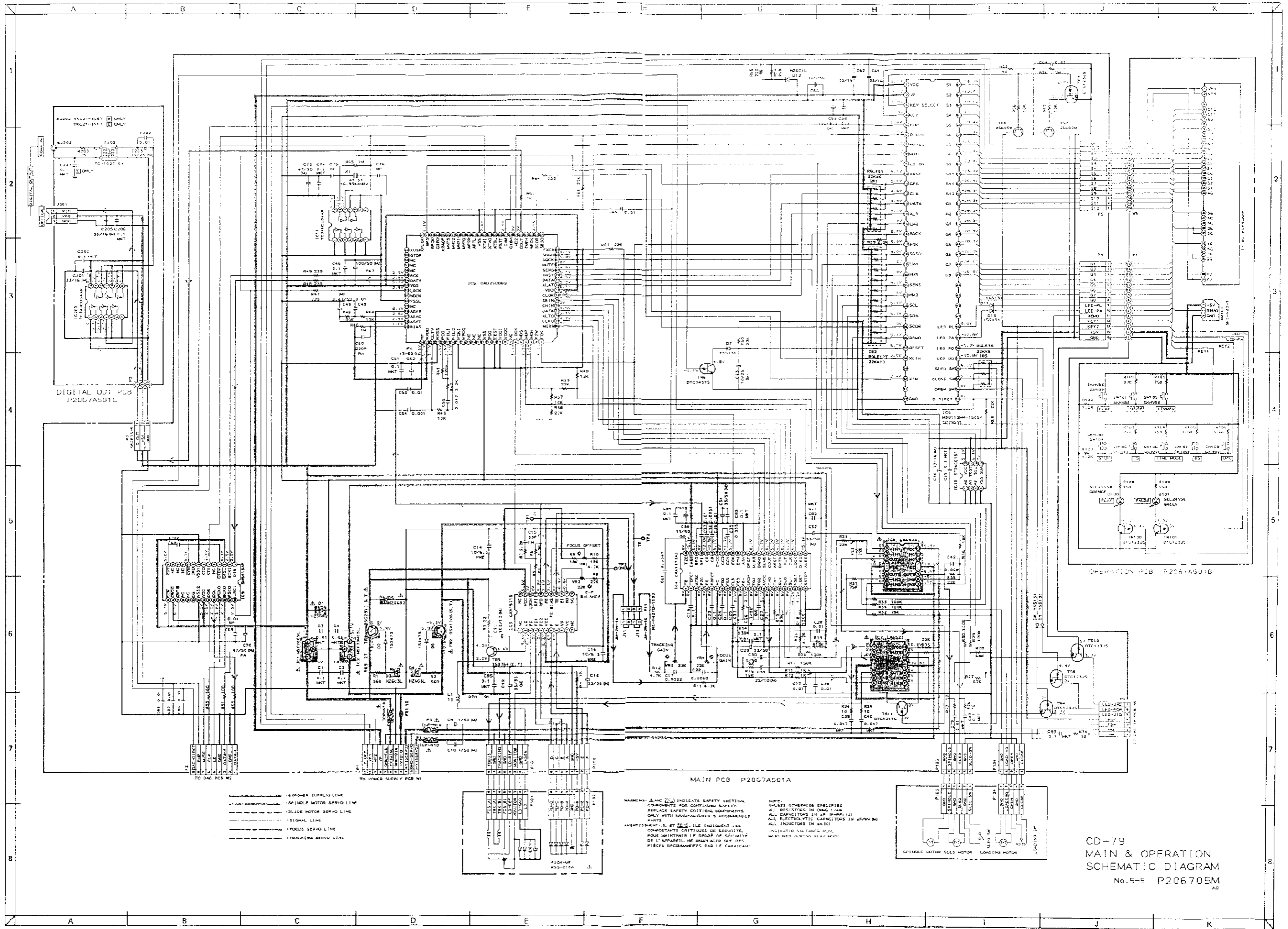
PRINCIPAL PARTS LOCATION

ICs	
IC1	F3
IC2	E3
IC3	C,D3
IC4	C4
IC5	E4,5
IC6	A,B4
IC7	B,C4
IC8	C3
IC9	F4
IC9A	B2
IC10	B3
IC11	F5
TRANSISTORS	
TR1	E3,4
TR2	E3,4
TR3	D3
TR4	A,B3
TR5	A,B3
TR6	B4
TR7	A4
TR8	A4
TR9	A5
TR10	A,B3
TR11	B4
CONNECTORS	
P1	E3
P2	F3
P3	F4
P4	A4
P5	A4
P6	A3
P101	D3
P102	C,D3
P103	B3
P104	A3

WARNING  $\Delta$  INDICATES SAFETY CRITICAL COMPONENTS FOR CONTINUED SAFETY. REPLACE SAFETY CRITICAL COMPONENTS ONLY WITH MANUFACTURER'S RECOMMENDED PARTS.  
 AVERTISSEMENT  $\Delta$  IL INDIQUE LES COMPOSANTS CRITIQUES DE SÉCURITÉ. POUR MAINTENIR LE DEGRÉ DE SÉCURITÉ DE L'APPAREIL, NE REMPLACER QUÉ DES PIÈCES RECOMMANDÉES PAR LE FABRICANT.

NOTE: PARTS DIFFER DEPENDING ON MODEL NUMBER. REFER TO SCHEMATIC DIAGRAMS FOR PERTINENT PARTS INFORMATION.





DIGITAL OUT PCB  
P2067A501C

OPERATION PCB P2067A501B

MAIN PCB P2067A501A

- POWER SUPPLY LINE
- - - SPINDLE MOTOR SERVO LINE
- · · SLIDE MOTOR SERVO LINE
- - - - SIGNAL LINE
- · - · FOCUS SERVO LINE
- · - · TRACKING SERVO LINE

WARNING: Δ and □ INDICATE SAFETY CRITICAL COMPONENTS FOR CONTINUED SAFETY. REPLACE SAFETY CRITICAL COMPONENTS ONLY WITH MANUFACTURER'S RECOMMENDED PARTS.  
AVERTISSEMENT: Δ ET □ INDICENT LES COMPOSANTS CRITIQUES DE SÉCURITÉ. POUR MAINTENIR LE DEGRÉ DE SÉCURITÉ DE L'APPAREIL, NE REMPLACEZ QUE DES PIÈCES RECOMMANDÉES PAR LE FABRICANT.

NOTE: UNLESS OTHERWISE SPECIFIED ALL RESISTORS IN OHMS (1/4W) ALL CAPACITORS IN μF (100V) ALL ELECTROLYTIC CAPACITORS IN μF/50V TO 250V ALL INDUCTORS IN mH

INDICATE VOLTAGE MEAS. MEASURED DURING PLAY MODE.

CD-79  
MAIN & OPERATION  
SCHEMATIC DIAGRAM  
No. 5-5 P206705M  
A0

PRINCIPAL PARTS LOCATION

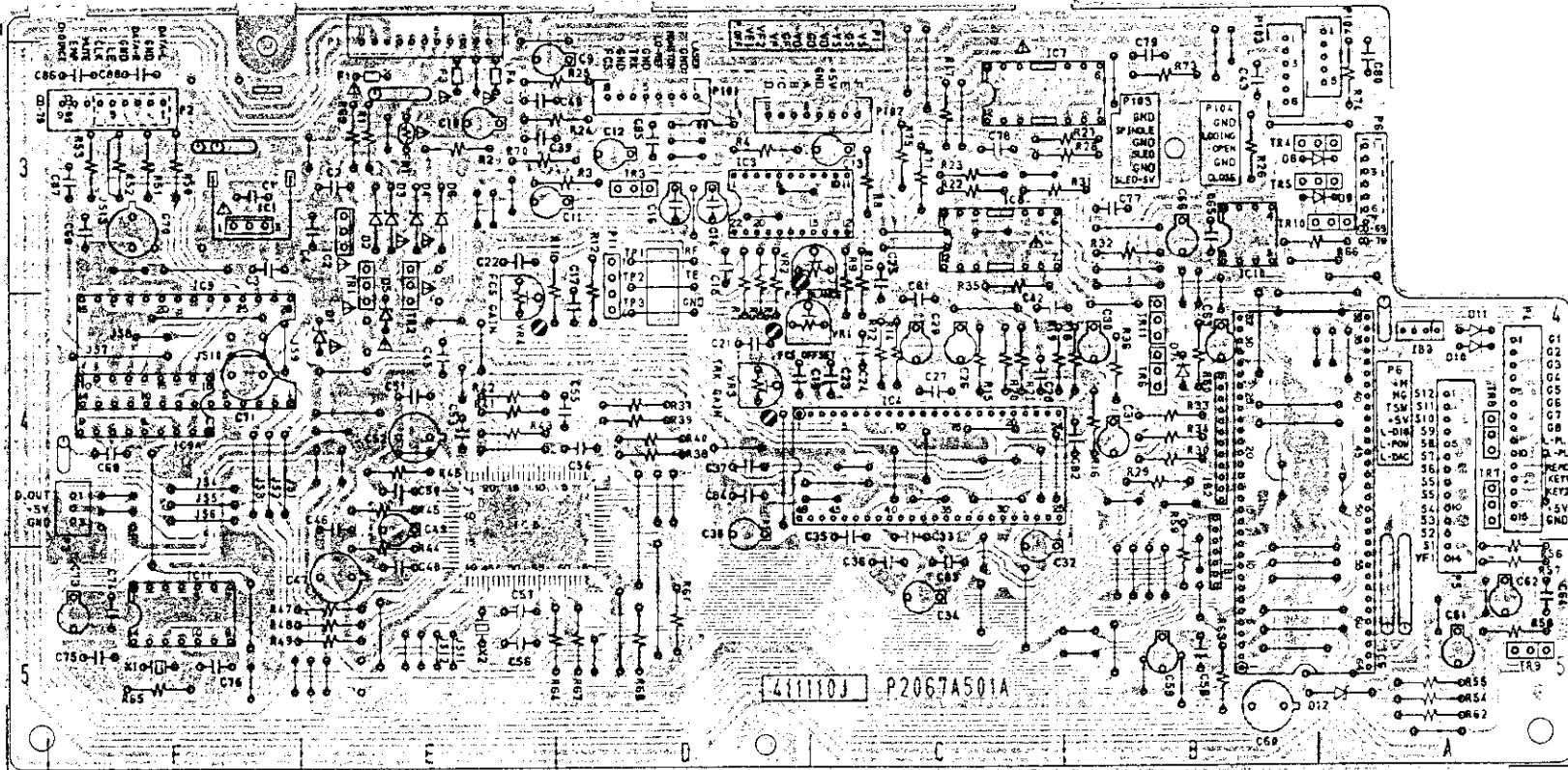
- ICs  
 IC1 ..... F3  
 IC2 ..... E3  
 IC3 ..... C,D3  
 IC4 ..... C4  
 IC5 ..... E4,5  
 IC6 ..... A,B4  
 IC7 ..... B,C4  
 IC8 ..... C3  
 IC9 ..... F4  
 IC9A ..... B3  
 IC10 ..... B3  
 IC11 ..... F5

TRANSISTORS

- TR1 ..... E3,4  
 TR2 ..... E3,4  
 TR3 ..... D3  
 TR4 ..... A,B3  
 TR5 ..... A,B3  
 TR6 ..... B4  
 TR7 ..... A4  
 TR8 ..... A4  
 TR9 ..... A5  
 TR10 ..... A,B3  
 TR11 ..... B4

CONNECTORS

- P1 ..... C3  
 P2 ..... F3  
 P3 ..... F4  
 P4 ..... A4  
 P5 ..... A4  
 P6 ..... A3  
 P101 ..... D3  
 P102 ..... C,D3  
 P103 ..... B3  
 P104 ..... A3



MAIN PCB P2067A501A

WARNING: Δ INDICATES SAFETY-CRITICAL COMPONENTS. FOR CONTINUED SAFETY, REPLACE SAFETY-CRITICAL COMPONENTS ONLY WITH MANUFACTURER'S RECOMMENDED PARTS.

AVERTISSEMENT: Δ IL INDIQUE LES COMPOSANTS CRITIQUES DE SÉCURITÉ. POUR MAINTENIR LE Degré DE SÉCURITÉ DE L'APPAREIL, NE REMPLACEZ QUÉ DES PIÈCES RECOMMANDÉES PAR LE FABRICANT.

NOTE: PARTS DIFFER DEPENDING ON MODEL NUMBER. REFER TO SCHEMATIC DIAGRAMS FOR PERTINENT PARTS INFORMATION.





**CXA1372AS (SERVO CONTROL)**

Pin No.	Symbol	I/O	Description
1	TE	I	Tracking error input terminal.
2	TDFCT	I	Time constant capacitor connecting terminal at time of defect.
3	ATSC	I	Window comparator input terminal for ATSC detection.
4	FZC	I	Terminal for focus zero comparator input.
5	FE	I	Focus error input terminal.
6	FDFCT	I	Time constant capacitor connecting terminal at time of defect.
7	VC	I	Center voltage input terminal
8	FGD	I	In case, reducing high range gain of focus servo amp, connect a capacitor between the FS3 terminal and this terminal.
9	FS3	I	Switches high range gain of focus servo amp according to whether FS3 is on or off.
10	FLB	I	External terminal for controlling time constant for boosting focus servo low range gain.
11	FEO	O	Focus drive output.
12	FE -	I	Inverted input terminal of focus amp.
13	SRCH	I	External terminal for controlling time constant for producing focus search wave form.
14	TGU	I	External terminal for controlling time constant for switching of tracking amp high range gain.
15	TG 2	I	External terminal for controlling time constant for switching of tracking amp high range gain.
16	AVCC		+5 V
17	TAO	O	Tracking drive output.
18	TA -	I	Inverted input terminal of tracking amp.
19	SL +	I	Input terminal for sled amp.
20	SLO	O	Sled drive output.
21	SL -	I	Inverted input terminal for sled amp.
22	FSET	I	Terminal for peak setting for focus tracking phase compensation.
23	ISET	I	Terminal of source current which decides level of focus search, track jump and sled kick.
24	SSTOP	I	Terminal of limit switch ON/OFF detection for disk innermost track detection.
25	AVEE	-	-5 V
26	DIRC	I	Used at time of 1 track jump. (47 k ohms pull up resistor is inserted.)
27	LOCK	I	Sled run prevention circuit operates at "L". (47k ohms pull up resistor is inserted.)
28	CLK	I	Serial data transmission clock input from CPU. (No pull up resistor)
29	XLT	I	Latch input from CPU. (No pull up resistor)
30	DATA	I	Serial data input from CPU. (No pull up resistor)
31	XRST	I	Reset input terminal. (Reset at "L".)
32	SENS	O	Outputs FZC, AS, TZC, SSTOP etc., according to command from CPU.
33	C OUT	O	Output for track number count signal.
34	D GND	-	GND
35	MIRR	O	MIRR comparator output terminal.
36	DFCT	O	DEFECT comparator output terminal.
37	ASY	I	Auto asymmetry control input terminal.
38	EFM	O	EFM comparator output terminal.
39	FOK	O	Focus OK comparator output terminal.
40	CC1	I	DEFECT bottom hold output terminal.
41	CC2	O	Input terminal of DEFECT bottom hold output which is supplied through a capacitor.
42	DVCC	-	+5 V

**CXA1372AS (SERVO CONTROL)**

Pin No.	Symbol	I/O	Description
43	CB	I	DEFECT bottom hold capacitor connecting terminal.
44	CP	I	Terminal for connection of MIRR hold capacitor. (Non inverted input terminal of MIRR comparator.)
45	RFI	I	Input terminal of RF summing amp output which is supplied through a capacitor.
46	RFO	O	RF summing amp output terminal. (Check point for eye pattern.)
47	DVEE	-	-5 V
48	TZC	I	Input terminal of tracking zero cross comparator.

**CXA1571S (RF AMP)**

Pin No.	Symbol	I/O	Description
1	NC	-	No connection
2	LD	O	APC amp output terminal.
3	PD	I	APC amp input terminal.
4	PD1	I	RF I-V amp inverted input terminal (for photo diode A+C of pick up)
5	PD2	I	RF I-V amp inverted input terminal (for photo diode B+D of pick up)
6	VEE	-	-5 V
7	F-IN	I	RF I-V amp inverted input terminal (for photo diode F of pick up)
8	E-IN	I	RF I-V amp inverted input terminal (for photo diode E of pick up)
9	VR	O	(VCC + VEE)/2 DC voltage output terminal.
10	VC	I	Center voltage input terminal of VC. (Connect to GND when ±5V power supply is used, connect to VR when +5V power supply is used.)
11	NC	-	No connection
12	NC	-	No connection
13	EO	O	Output terminal for I-V amp E monitor.
14	EI	-	Terminal for gain control of I-V amp E.
15	TE	O	Tracking error amp output terminal. (E-F signal is output.)
16	FE-BLAS	I	Terminal for bias adjustment of focus error amp inverted side.
17	FE	O	Focus error amp output terminal.
18	RFO	O	RF amp output terminal.
19	RFI	I	Inverted side input terminal of RF amp. (The gain of RF amp is decided by the value of the resistor connected between this terminal and the RFO terminal.)
20	LD-ON	I	Terminal for ON/OFF switching of APC amp. (GND : ON, Vcc : OFF)
21	VCC	-	+5 V
22	NC	-	No connection

CXD2500BQ (DIGITAL SIGNAL PROCESSOR)

Pin No.	Symbol	I/O	Description
1	FOK	I	Focus OK input terminal. For SENS output and servo automatic sequencer.
2	FSW	O	Switching output for spindle motor output filter.
3	MON	O	ON-OFF control output for spindle motor.
4	MDP	O	Servo control for spindle motor.
5	MDS	O	Servo control for spindle motor.
6	LOCK	O	GFS is sampled at 460 Hz and H is output when GFS reaches H. L is output when L is repeated 8 times.
7	NC	-	No connection
8	VCOO	O	Oscillation circuit output for analog EFM PLL.
9	VCOI	I	Oscillation circuit input for analog EFM PLL. f LOCK = 8.6436 MHz.
10	TEST	I	Regular GND for TEST terminal.
11	PDO	O	Charge pump output for analog EFM PLL.
12	Vss	-	GND
13	NC	-	No connection
14	NC	-	No connection
15	NC	-	No connection
16	VPCO	O	PLL charge pump output for vari pitch.
17	VCKI	I	Clock input (f center = 16.9344 MHz) from external VCO for vari pitch.
18	FILO	O	Filter output for master PLL (slave = digital PLL.)
19	FILI	I	Filter input for master PLL.
20	PCO	O	Charge pump output for master PLL.
21	A Vss	-	Analog GND
22	CLTV	I	VCO control voltage input for master.
23	AVdd	-	Analog voltage (+5 V)
24	RF	I	EFM signal input
25	BIAS	I	Asymmetry circuit constant current input.
26	ASYI	I	Asymmetry compilation voltage input.
27	ASYO	O	EFM full swing output (L = Vss, H = VDD)
28	ASYE	I	L: Asymmetry circuit OFF H: Asymmetry circuit ON
29	NC	-	No connection
30	PSSL	I	Audio data output mode switching input. Serial output at L, Parallel output at H.
31	WDCK	O	D/A interface for 48 bit slot. Word clock f = 2Fs
32	LRCK	O	D/A interface for 48 bit slot. LR clock f = Fs
33	Vdd	-	Voltage (+5V)
34	DA16	O	DA16 (MSB) output when PSSL = 1. 48 bit slot serial data when PSSL = 0. (2s'COMP, MSB first)
35	DA15	O	DA15 output when PSSL = 1. (48 bit slot bit clock when PSSL = 0.)
36	DA14	O	DA14 output when PSSL = 1. (64 bit slot serial data when PSSL = 0.) (2s'COMP, LSB first)
37	DA13	O	DA13 output when PSSL = 1. (64 bit slot bit clock when PSSL = 0.)
38	DA12	O	DA12 output when PSSL = 1. (64 bit slot LR clock when PSSL = 0.)
39	DA11	O	DA11 output when PSSL = 1. (GTOP output when PSSL = 0.)
40	DA10	O	DA10 output when PSSL = 1. (XUGF output when PSSL = 0.)
41	DA09	O	DA09 output when PSSL = 1. (XPLOCK output when PSSL = 0.)
42	DA08	O	DA08 output when PSSL = 1. (GFS output when PSSL = 0.)
43	DA07	O	DA07 output when PSSL = 1. (RFCK output when PSSL = 0.)
44	DA06	O	DA06 output when PSSL = 1. (C2P0 output when PSSL = 0.)
45	DA05	O	DA05 output when PSSL = 1. (XRAOF output when PSSL = 0.)
46	DA04	O	DA04 output when PSSL = 1. (MNT3 output when PSSL = 0.)
47	DA03	O	DA03 output when PSSL = 1. (MNT2 output when PSSL = 0.)
48	DA02	O	DA02 output when PSSL = 1. (MNT1 output when PSSL = 0.)
49	DA01	O	DA01 output when PSSL = 1. (MNT0 output when PSSL = 0.)

CXD2500BQ (DIGITAL SIGNAL PROCESSOR)

Pin No.	Symbol	I/O	Description
50	APTR	O	Control output for aperture compensation. H at Rch.
51	APTL	O	Control output for aperture compensation. H at Lch.
52	Vss	-	GND
53	XTAI	I	16.9344 MHz X'tal oscillation circuit input. Also 33.8688 MHz input.
54	XTAO	O	16.9344 MHz X'tal oscillation circuit output.
55	XTSL	I	X'tal selection input terminal. L when X'tal is 16.9344 MHz. H when 33.8688 MHz.
56	FSTT	O	2/3 countdown output of 53, 54 terminals. No change by vari pitch.
57	C4M	O	4.2336MHz output. Changed simultaneously during vari pitching.
58	C16M	O	16.9344MHz output. Changed simultaneously during vari pitching.
59	MD2	I	Digital-Out ON/OFF control, ON at H, OFF at L.
60	DO2	O	Digital Out output terminal.
61	EMPH	O	H output when playback disc is emphasised. L output when no emphasis.
62	WFCK	O	WFCK (Write Frame Clock) output.
63	SCOR	O	H output when either sub code S0 or S1 is detected.
64	SBSO	O	Serial output of Sub P to W.
65	EXCK	I	Clock input for SBSO read out.
66	SQSO	O	Sub Q 80 bit and PCM peak, level data 16 bit output.
67	SQCK	I	Clock input for SQSO read out.
68	MUTE	I	Muting control (H: MUTE, L: CANCEL)
69	SENS	-	SENS output. Output to CPU.
70	XRST	I	System reset. Reset at L.
71	DATA	I	Serial data input from CPU.
72	XLAT	I	Latch input from CPU. (Latching of serial data at falling edge of the pulse.)
73	Vdd	-	Voltage (+5 V)
74	CLOCK	I	Serial data transmission clock input from CPU.
75	SEIN	I	Sense input from SSP.
76	CNIN	I	Track jump number count signal input.
77	DATO	O	Serial data output to SSP.
78	XLTO	O	Serial data latch output to SSP. (Latching at falling edge of the pulse.)
79	CLKO	O	Serial data transmission clock output to SSP.
80	MIRR	I	Mirror signal input. Used for jump of over 16 tracks with auto sequencer.

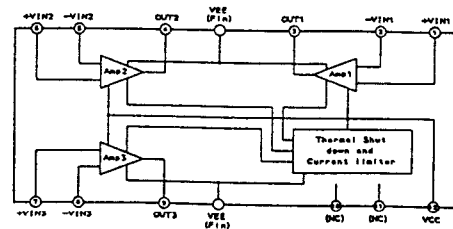
CXD2500BQ (DIGITAL SIGNAL PROCESSOR)

Pin No.	Symbol	I/O	Description
50	APTR	O	Control output for aperture compensation. H at Rch.
51	APTL	O	Control output for aperture compensation. H at Lch.
52	Ves	-	GND
53	XTAI	I	16.9344 MHz X'tal oscillation circuit input. Also 33.8688 MHz input.
54	XTAO	O	16.9344 MHz X'tal oscillation circuit output.
55	XTSL	I	X'tal selection input terminal. L when X'tal is 16.9344 MHz. H when 33.8688 MHz.
56	FSTT	O	2/3 countdown output of 53, 54 terminals. No change by vari pitch.
57	C4M	O	4.2336MHz output. Changed simultaneously during vari pitching.
58	C16M	O	16.9344MHz output. Changed simultaneously during vari pitching.
59	MD2	I	Digital-Out ON/OFF control, ON at H, OFF at L.
60	DOUT	O	Digital Out output terminal.
61	EMPH	O	H output when playback disc is emphasised. L output when no emphasis.
62	WFCK	O	WFCK (Write Frame Clock) output.
63	SCOR	O	H output when either sub code S0 or S1 is detected.
64	SBSO	O	Serial output of Sub P to W.
65	EXCK	I	Clock input for SBSO read out.
66	SQSO	O	Sub Q 80 bit and PCM peak, level data 16 bit output.
67	SQCK	I	Clock input for SQSO read out.
68	MUTE	I	Muting control (H: MUTE, L: CANCEL)
69	SENS	-	SENS output. Output to CPU.
70	XRST	I	System reset. Reset at L.
71	DATA	I	Serial data input from CPU.
72	XLAT	I	Latch input from CPU. (Latching of serial data at falling edge of the pulse.)
73	Vdd	-	Voltage (+5 V)
74	CLOCK	I	Serial data transmission clock input from CPU.
75	SEIN	I	Sense input from SSP.
76	CNIN	I	Track jump number count signal input.
77	DATO	O	Serial data output to SSP.
78	XLTO	O	Serial data latch output to SSP. (Latching at falling edge of the pulse.)
79	CLKO	O	Serial data transmission clock output to SSP.
80	MIRR	I	Mirror signal input. Used for jump of over 16 tracks with auto sequencer.

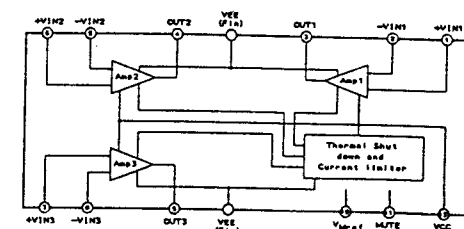
CD0002AD (DIGITAL FILTER)

Pin No.	Symbol	I/O	Description															
1	XIN	I	Crystal OSC input or external clock input															
2	XOUT	O	Crystal OSC output															
3	CKS	I	Clock in H = 384 fs, L = 256 fs															
4	FSS2	I	Selected sampling frequency <table border="1"> <thead> <tr> <th>FSS2</th> <th>FSS1</th> <th>fs</th> </tr> </thead> <tbody> <tr> <td>L</td> <td>L</td> <td>44.1 kHz</td> </tr> <tr> <td>H</td> <td>L</td> <td>48 kHz</td> </tr> <tr> <td>H</td> <td>H</td> <td>32 kHz</td> </tr> <tr> <td>L</td> <td>H</td> <td>OSC STOP</td> </tr> </tbody> </table>	FSS2	FSS1	fs	L	L	44.1 kHz	H	L	48 kHz	H	H	32 kHz	L	H	OSC STOP
FSS2	FSS1	fs																
L	L	44.1 kHz																
H	L	48 kHz																
H	H	32 kHz																
L	H	OSC STOP																
5	FSS1	I																
6	LRCK	I	L/R clock input															
7	DATA	I	Serial data input															
8	BCK	I	Bit clock for input data															
9	VSS	-	GND															
10	SMUTE	I	Soft mute control H = ON, L = OFF															
11	OBS2	I	Output data word length select <table border="1"> <thead> <tr> <th>OBS2</th> <th>OBS1</th> <th>WORD LENGTH</th> </tr> </thead> <tbody> <tr> <td>L</td> <td>H</td> <td>16</td> </tr> <tr> <td>H</td> <td>H</td> <td>18</td> </tr> <tr> <td>H</td> <td>L</td> <td>20</td> </tr> <tr> <td>L</td> <td>L</td> <td>-</td> </tr> </tbody> </table>	OBS2	OBS1	WORD LENGTH	L	H	16	H	H	18	H	L	20	L	L	-
OBS2	OBS1	WORD LENGTH																
L	H	16																
H	H	18																
H	L	20																
L	L	-																
12	OBS1	I																
13	LDOUT	O	L ch serial data output															
14	RDOUT	O	R ch serial data output															
15	DEMPH	I	De-emphasis control															
16	WOUT	O	Word clock output															
17	BOUT	O	Bit clock output for LDOUT and RDOUT															
18	VDD	-	+5 V															

LA6520 (3CH POWER OPERATIONAL AMP)



LA6523 (3CH POWER OPERATIONAL AMP)



Pin No.	Symbol	I/O	Description												
1	Vcc	I	+5 V power supply												
2	VP	I	-32 V												
3	KEY SEL	O	Key select output												
4	KEY	I	Key return input												
5	EMP	O	De-emphasis control output (H: ON)												
6	D. OUT	O	Digital out control (H: ON)												
7	MUTE 2	O	Mute control output during peak level search (H: MUTE)												
8	MUTE	O	Muting control output												
9	LD ON	O	Laser diode ON/OFF control output												
10	XRST	O	System reset output												
11	GFS	I	PLL (Frame sync) condition detect signal input												
12	CLK	O	Clock signal output												
13	DATA	O	Command data output												
14	XLT	O	Latch signal output												
15	LM 2	O	Loading motor control output <table border="1"> <thead> <tr> <th></th> <th>STOP</th> <th>OPEN</th> <th>CLOSE</th> </tr> </thead> <tbody> <tr> <td>LM 1</td> <td>L</td> <td>H</td> <td>L</td> </tr> <tr> <td>LM 2</td> <td>L</td> <td>L</td> <td>H</td> </tr> </tbody> </table>		STOP	OPEN	CLOSE	LM 1	L	H	L	LM 2	L	L	H
	STOP	OPEN		CLOSE											
LM 1	L	H		L											
LM 2	L	L	H												
19	LM 1	O													
16	SQCK	O	Reading clock output of subcode Q data												
17	FOK	I	Focus lock detection input												
18	SQSO	I	Subcode Q and PCM peak level data input												
20	HM 1	O	HEAD PHONE/VARIABLE OUT VR motor control terminal <table border="1"> <thead> <tr> <th></th> <th>STOP</th> <th>UP</th> <th>DOWN</th> </tr> </thead> <tbody> <tr> <td>HM 1</td> <td>L</td> <td>L</td> <td>H</td> </tr> <tr> <td>HM 2</td> <td>L</td> <td>H</td> <td>L</td> </tr> </tbody> </table>		STOP	UP	DOWN	HM 1	L	L	H	HM 2	L	H	L
	STOP	UP		DOWN											
HM 1	L	L		H											
HM 2	L	H	L												
22	HM 2	I													
21	SENS	I	Auto sequence end detection input												
23	SCL	O	EEP ROM serial clock												
24	SDA	I/O	EEP ROM serial data IN/OUT												
25	SCOR	I	Subcode Q sync signal input												
26	REMO	I	Remote control receive serial data input												
27	RESET	I	Reset signal input												
28	XC IN	I	Clock input (44.1 kHz)												
29	XC OUT	O	Not used												
30	X IN	I	Clock input (4.32 MHz)												
31	X OUT	O	Not used												
32	Vss		GND												
33	D. DIRCT	O	Control for DAC direct indicator (H: LED, relay ON)												
34	OPEN SW	I	Input of disc tray open detect signal												
35	CLOSE SW	I	Input of disc tray close detect signal												
36	SLED SW	I	Innermost position ON/OFF detection input of SLED MOTOR												
37	LED DO	O	Control for DIGITAL OUT indicator (H: LED ON)												
38	LED PA	O	Control for PAUSE indicator (H: LED ON)												
39	LED PL	O	Control for PLAY indicator (H: LED ON)												
40			Not used												
41															
42															
43															
44															

Pin No.	Symbol	I/O	Description
45	G8	O	Digit output for FL display
46	G7	O	
47	G6	O	
48	G5	O	
49	G4	O	
50	G3	O	
51	G2	O	
52	G1	O	
53	S12	O	Segment data output for FL display
54	S11	O	
55	S10	O	
56	S9	O	
57	S8	O	
58	S7	O	
59	S6	O	
60	S5	O	
61	S4	O	
62	S3	O	
63	S2	O	
64	S1	O	

## PCM63P (D/A CONVERTOR)

Pin No.	Symbol	Description
1	SERVO DC	Servo filter
2	+Vcc	+B for analog (+5 V)
3	REF DC	Reference filter
4	BPO DC	BPO filter
5	BPO	Bi polar off-set
6	I-OUT	Current output
7	A.GND	Analog GND
8	N.C	No connection
9	RF	Feedback resistor
10	RF	Feedback resistor
11	-Vdd	-B for logic (-5 V)
12	D.GND	Digital GND
13	+Vdd	+B for logic (+5 V)
14	N.C	No connection
15	N.C	No connection
16	N.C	No connection
17	N.C	No connection
18	CLOCK	Clock in
19	N.C	No connection
20	L.E.C	LEC input
21	DATA	Data input
22	N.C	No connection
23	Bit 2B ADJ	ADJ terminal
24	Bit 2A ADJ	ADJ terminal
25	Vpot	Potential meter
26	N.C	No connection
27	N.C	No connection
28	-Vcc	-B for analog (-5 V)

SM5813AP (DIGITAL FILTER)

Pin No.	Symbol	I/O	Description												
1	DIN	I	Data input												
2	BCKI	I	Bit clock for input data												
3	CKSL	I	Master clock XTI select *												
4	CKDV	I	Master clock XTI select *												
5	N.C	-	No connection												
6	XTI	I	Crystal OSC input *												
7	XTO	O	Crystal OSC output												
8	VSS1	-	GND												
9	CKO	O	Clock out *												
10	SYN	I	Jitter free mode or forced synchronization mode select H = Jitter free, L = Forced synchronization												
11	N.C	-	No connection												
12	N.C	-	No connection												
13	N.C	-	No connection												
14	RST	I	System reset H = normal, L = System reset												
15	COB	I	Selection of replenishing number 2 or COB H = Replenishing number 2, L = COB												
16	OW20	I	Bit select <table border="1" style="display: inline-table; vertical-align: middle;"> <thead> <tr> <th>BIT</th> <th>16</th> <th>18</th> <th>20</th> </tr> </thead> <tbody> <tr> <td>OW18</td> <td>H</td> <td>L</td> <td>H</td> </tr> <tr> <td>OW20</td> <td>H</td> <td>H</td> <td>L</td> </tr> </tbody> </table>	BIT	16	18	20	OW18	H	L	H	OW20	H	H	L
BIT	16	18		20											
OW18	H	L	H												
OW20	H	H	L												
17	OW18	I													
18	N.C	-	No connection												
19	N.C	-	No connection												
20	DG	O	Degitch control clock												
21	VSS2	-	GND												
22	VDD	-	+5 V												
23	DOR	O	Over sampling for output data (Rch)												
24	DOL	O	Over sampling for output data (Lch)												
25	WCKO	O	Word clock for output data												
26	BCKO	O	Bit clock for output data												
27	FSCO	O	fs timing clock												
28	LRCI	I	Sample rate (fs) clock for input data H = Lch, L = R ch												

\* Master clock frequency can be selected by CKSL, CKDV and CKO condition as shown below.

192 fs: CKSL = H, CKDV = H
384 fs: CKSL = H, CKDV = L
256 fs: CKSL = L, CKDV = L
512 fs: CKSL = L, CKDV = L