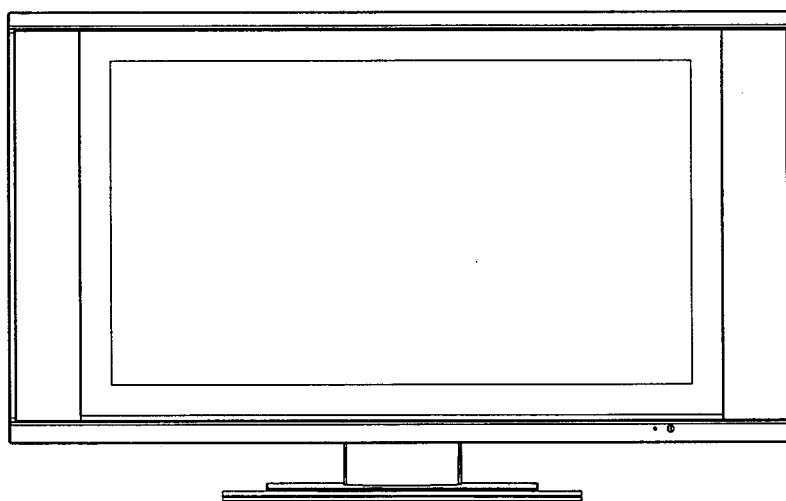


# **SERVICE MANUAL**

## **ORION**

### **TV-27300 / TV-27300SI**

**27" LCD COLOR TELEVISION**



**Best. Nr. SM27300**

---

Design and specifications are subject to change without notice.

# CONTENTS

SAFETY INSTRUCTIONS.....	1
INSTRUCTIONS ON ADJUSTING AND TESTING.....	3
TROUBLE SHOOTING.....	8
METHOD OF SOFTWARE UPGRADING.....	10
BASIC WORKING PRINCIPLE.....	10
BLOCK DIAGRAM.....	12
MAIN IC BLOCK DIAGRAM.....	13
WIRING DIAGRAM.....	17
SERIAL NO. OF PARTS.....	18
TROUBLESHOOTING GUIDE.....	19
SCHEMATIC DIAGRAM.....	29

**Attention:** This service manual is only for service personnel to take reference with. Before servicing please read the following points carefully.

## Safety instructions

### 1 Instructions

- 1.1 Be sure to switch off the power supply before replacing or welding any components or inserting/plugging in connection wire
- 1.2 Anti static measures to be taken (throughout the entire production process!):
  - 1.2.1 Do not touch here and there by hand at will;
  - 1.2.2 Be sure to use anti static electric iron;
  - 1.2.3 It's a must for the welder to wear anti static gloves.
- 1.3 Please refer to the detailed list before replacing components that have special safety requirements. Do not change the specs and type at will.

### 2 Points for attention in servicing of LCD

- 2.1 Screens are different from one model to another and therefore not interchangeable. Be sure to use the screen of the original model for replacement.
- 2.2 The operation voltage of LCD screen is 700-825V. Be sure to take proper measures in protecting yourself and the machine when testing the system in the course of normal operation or right after the power is switched off. Please do not touch the circuit or the metal part of the module that is in operation mode.  
Relevant operation is possible only one minute after the power is switched off.
- 2.3 Do not use any adapter that is not identical with the TV set. Otherwise it will cause fire or damage to the set.
- 2.4 Never operate the set or do any installation work in bad environment such as wet bathroom, laundry, kitchen, or nearby fire source, heating equipment and devices or exposure to sunlight etc. Otherwise bad effect will result.
- 2.5 If any foreign substance such as water, liquid, metal slices or other matters happens to fall into the module, be sure to cut the power off immediately and do not move anything on the module lest it should cause fire or electric shock due to contact with the high voltage or short circuit.
- 2.6 Should there be smoke, abnormal smell or sound from the module, please shut the power off at once.  
Likewise, if the screen is not working after the power is on or in the course of operation, the power must be cut off immediately and no more operation is allowed under the same condition.
- 2.7 Do not pull out or plug in the connection wire when the module is in operation or just after the power is off because in this case relatively high voltage still remains in the capacitor of the driving circuit. Please wait at least one minute before the pulling out or plugging in the connection wire.
- 2.8 When operating or installing LCD please don't subject the LCD components to bending, twisting or extrusion, collision lest mishap should result.
- 2.9 As most of the circuitry in LCD TV set is composed of CMOS integrated circuits, it's necessary to pay attention to anti statics. Before servicing LCD TV make sure to take anti static measure and ensure full grounding for all the parts that have to be grounded.

2.10 There are lots of connection wires between parts behind the LCD screen. When servicing or moving the set please take care not to touch or scratch them. Once they are damaged the screen would be unable to work and no way to get it repaired.

2.11 Special care must be taken in transporting or handling it. Exquisite shock vibration may lead to breakage of screen glass or damage to driving circuit.

Therefore it must be packed in a strong case before the transportation or handling.

2.12 For the storage make sure to put it in a place where the environment can be controlled so as to prevent the temperature and humidity from exceeding the limits as specified in the manual. For prolonged storage, it is necessary to house it in an anti-moisture bag and put them altogether in one place. The ambient conditions are tabulated as follows:

Temperature	Scope for operation	0—+50 °C
	Scope for storage	-20—+60 °C
humidity	Scope for operation	20%—85%
	Scope for storage	10%—90%

2.13 Display of a fixed picture for a long time may result in appearance of picture residue on the screen, as commonly called "ghost shadow". The extent of the residual picture varies with the maker of LCD screen. This phenomenon doesn't represent failure. This "ghost shadow" may remain in the picture for a period of time (several minutes). But when operating it please avoid displaying still picture in high brightness for a long time.

### **3. Points for attention during installation**

3.1 The front panel of LCD screen is of glass. Wheng installing it please make sure to put it in place.

3.2 For service or instatallation it's necessary to use specified screw lest it should damage the screen.

3.3 Be sure to take anti dust measures. Any foreign substance that happens to fall down between the screen and the glass will affect the receiving and viewing effect

3.4 When dismantling or mounting the protective partition plate that is used for anti vibration and insulation please take care to keep it in intactness so as to avoid hidden trouble.

3.5 Be sure to protect the cabinet from damage or scratch during service, dismantling or mounting.

## Instructions on adjusting and testing

### 1. Debugging equipment

PM5515(Video signal generator), PM54200(SCART signal generator), VG-848(signal generator of YUV,VGA,DVI), and CA210(White balancer)

### 2. Process of debugging

See Fig.1.

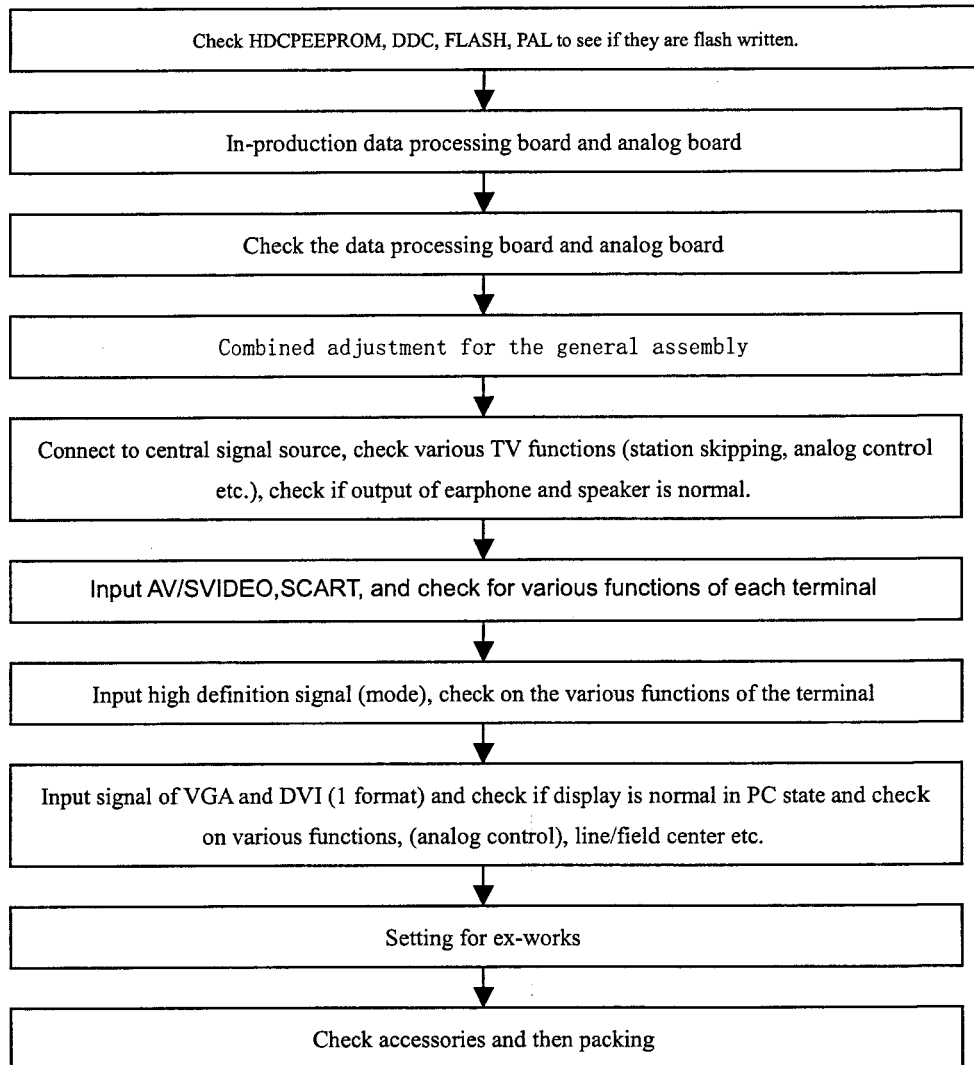


Fig.1 Debugging process

### 3. Debugging for complete set

Connect the data processing board, sound processing board, TV processing board, keyboard, remote control receiving board and upgrading processing board according to wiring diagram 203-L27M60-02JL. Switch it on and then observe if the display is normal.

**How to use the factory menu:** First press "POWER" and press "video" immediately after to enter the factory menu. Press "S.M" and it is possible to change an adjustment page of factory menu. Press keys "CH+" and "CH-" it is possible to move the cursor up and down on a certain adjustment page. When the cursor is moved to a certain adjustment item, press "VOL-" and "VOL+" keys and then it is possible to carry out the adjustment for the item. Press "MENU" and exit from the factory menu. Before switching off the TV set, press "S.M" and it is possible to reenter the factory menu (This state is called factory state).

When the machine is switched off it is possible to exit from the factory state.

### 3.1. EEPROM Initialization

Enter the first page of the factory menu, select EEPROM Erase and then press "ENTER" key. Switch the TV set off and restart the set. Then it's ready for initialization.

**Note: For the restart it takes relatively longer time to show blue screen!**

### 3.2. Check on white balance

#### 3.2.1. White balance for YpbPr channel

Connect the signal of 480I(968 mode) in VG-848 to YpbPr port. Input the signal of gray degree 16 (921 graph spectrum). Fix the R Gain, G Gain and B Gain of the White Balance Adjust as 80H, 80H, and 80H. Set the R Offset, G offset and B offset of the 9883 Adjust items so that the color coordinates of the 4<sup>th</sup> step from the left are 254 and 250 and the brightness is 3.5nit. Check if the color coordinates of the 13<sup>th</sup> step (4<sup>th</sup> step from the right) are 267 and 267 and if the brightness is 400 nit. If not, recheck the brightness and color coordinates of the 4<sup>th</sup> step and repeatedly adjust R Offset, G offset, B offset until the two gray degrees are both adjusted to the specified values.

Separately input the signals of other formats in Table 1. Repeat the operations above so that the white balance is up to the requirement as above.

## 4. Performance check

### 4.1. TV function

Connect RF port to the central signal source. First enter the menu for selected items. Set the category of country. Then enter edit menu → auto station searching and check if there is skipped stations. Check for manual station searching to see if fine adjustment is normal. Check if the output of earphone and loudspeaker is normal and if the image is normal. Switch on PIP and POP (multi pictures), connect earphone wire and check if the display and sound are normal.

### 4.2. AV/S-Video port

Separately input the signals from the terminals of AV/S and check if the display and sound are normal. Switch on PIP and POP (multi pictures), connect earphone wire and check if the display and sound are normal.

4.3. SCART port (Note: When checking SCART port, the mode displayed on the menu for selection items should be Auto)

#### 4.3.1. Check of the special function of SCART INPUT

##### 4.3.1.1. Function of SCART1

a). When the TV set is switched on, connect SCART1 to the signal generator (PM54200). Then the TV set should be automatically switched over to the state of Scart1.

b). SCART signal generator sends out CVBS signal (color stripe + multi-wave group). Observe if the image and sound of the set are normal. Change the display format (16:9 and 4:3) of the image output from the signal source. Check if the TV set can automatically identify it. When SCART signal is changed into that of RGB, observe if the image and sound of the set are normal. Change the display format (16:9 and 4:3) of the image output from the signal source. Check if the TV set can automatically identify it. Switch on PIP, connect the earphone and check if the display and sound are normal.

##### 4.3.1.2. Function of SCART2

a). When the TV set is switched on, connect SCART2 to the signal generator (PM54200). Then the TV set should be automatically switched over to the state of Scart2.

b). SCART signal generator sends out CVBS signal (color stripe + multi-wave group). Observe if the image and sound of the set are normal. Change the display format (16:9 and 4:3) of the image output from the signal source. Check if the TV set can automatically identify it. Now the normal screen display

should be Scart2 AV and SCART signal is changed into that of Y/C. Switch the channel over to SCART 2 Y/C and observe if the picture and sound are normal. Change the display format (16:9 and 4:3) of the image output from the signal source. Check if the TV set can automatically identify it. Switch PIP on, connect the earphone and check if the display and sound are normal.

#### 4.3.2. Check of special function of SCART OUTPUT

##### 4.3.2.1. Function of SCART1

In the state of TV input the signal. Connect SCART1 port to the TV set for monitor purpose. Change the TV channel and see if the output signal from SCART1 is that of TV and see if the picture and sound of the TV for monitor purpose are normal. Change the TV channel and now the output signal from SCART1 should be that of TV and should not vary with the change of channel.

##### 4.3.2.2. Function of SCART2

Separately input the signal in the state of TV/AV/S. Connect the SCART2 port to the TV set for monitor purpose. Change the TV channel in the state of TV/AV/S and see if the output signal from SCART2 is that of the present and see if the picture and sound of the TV for monitor purpose are normal.

#### 4.4. Port of YPbPr/YCbCr

Input the signal of YUV(VG-848 signal generator). Separately input the various formats of YUV signals as in Table 1. Check if the display and sound are normal. If there are deviations for the line and field values on the picture, press Auto Sync on the Screen menu and make calibration. If the picture shows slight interference, adjust the Fine Tune of the Screen menu for calibration. Switch PIP on, connect the earphone and check if the display and sound are normal.

Table 1 Signal Formats YUV Receives

symbol	H-frequency(kHz)	V-frequency(Hz)	signal
1	15.734	59.94	SDTV 480i
2	31.469	59.94	HDTV 480p
4	44.955	59.94	HDTV 720p
6	33.716	59.94	HDTV 1080i
7	15.625	50	SDTV 576i
8	31.25	50	SDTV 576p
9	33.75	50	HDTV 1080i
10	37.50	50	HDTV 720p

#### 4.5. VGA Port

Input the VGA signal(VG-848 signal generator). Separately input the various formats of YUV signals as in Table 2. Check if the display and sound are normal. If there are deviations for the line and field values on the picture, press Auto Sync on the Screen menu and make calibration. If the picture shows slight interference, adjust the Fine Tune of the Screen menu for calibration. Switch PIP on, connect the earphone and check if the display and sound are normal.

Table 2 Signal Formats VGA Receives

symbol	resolution	H-frequency(Hz)	V-frequency(Hz)	Dot frequency(MHz)	remarks
1	720x400	31.469	70.086	28.322	IBM
2	640x480	31.469	59.94	25.175	IBM
3	640x480	37.861	72.809	31.5	VESA
4	640x480	37.5	75.0	31.5	VESA
5	640x480	43.269	85.008	36	VESA
6	800x600	35.156	56.25	36	VESA

7	800x600	37.879	60.317	40	VESA
8	800x600	48.077	72.188	50	VESA
9	800x600	46.875	75.0	49.5	VESA
10	800x600	53.674	85.061	56.25	VESA
11	1024x768	48.363	60.004	65	VESA
12	1024x768	56.476	70.069	75	VESA
13	1024x768	60.023	75.029	78.75	VESA

#### 4.6. DVI Port

In addition to the signal formats as listed in Table 2, DVI can receive the following three high definition signal formats -- 576P, 720P/60 Hz and 1080I/60 Hz. Input the DVI signal(VG-848 signal generator). Separately input the signals of the various DVI formats as listed above. Check if the display and sound are normal.

If there are deviations for the line and field values on the picture, press Auto Sync on the Screen menu and make calibration. Switch PIP on, connect the earphone and check if the display and sound are normal.

4.7. For the ex-works settings please see Tables 3-8. (Ex-works setting values have been normally initialized by the software. The only thing for the factory to do is to proof read the values.

Table 3 Setting of Factory Option Menu Page

symbol	item	ex-works settings
	EEPROM Erase	Off
1	Backlight Adjustable	Off
2	Back Light	99
3	Menu Timeout	15
4	Blank switch enable	Off
5	ShowLogo	On
6	Auto Channel Lable	On
	Disable SRS active	Stereo

Note: The last 5 items of Table 3 should be designed according to the customer's request.

Table 4 Setting of Video Min/Max Page

item	ex-works settings
Bright Min	C0H
Bright Middle	00H
Bright Max	10H
Contrast Min	10H
Contrast Middle	20H
Contrast Max	28H
Sharpness Min	00H
Sharpness Middle	10H
Sharpness Max	1FH



Color Min	00H
Color Middle	32H
Color Max	63H
Hue Min	CEH
Hue Middle	00H
Hue Max	32H

Table 5 Setting of Factory Audio Setting Page

item	ex-works settings
Volume Min	37H
Volume 30	63H
Volume 50	70H
Volume Max	76H
Prescale Scart	3FH
Prescale FM/AM	1FH
Prescale Nicam	40H
Scart1 Volume	20H
Scart2 Volume	20H
D/K select HDEV3	Off
Equalizer Bands Max	60H
Spatial Mode	Off
AVC	Off

Table 6 White Balance Adjust Setting Page

item	ex-works settings
R Offset	1CH
G Offset	00H
B Offset	25H
R Gain	F0H
G Gain	F0H
B Gain	F0H
Brightness	50
Contrast	50

Note:9883 Adjust is only for adjustment of YPBPR white balance, so different models and units may have different values.

Set 9883 Registers are used for design and adjustment, so they can't be used to memory things while changing the values.

In the state of factory, it is possible to change setting values for picture and sound in various factory modes. Otherwise any equilibrium values of picture and sound different in the other states are considered the setting of Custom.

Table 7 Setting of Picture Analog Value

	Vivid	Standard	Mild	Custom
Contrast	80	70	50	50
Brightness	50	45	40	50
Color	50	45	40	50
Hue	00	00	00	00
Sharpness	50	50	50	50

Table 8 Setting of Sound Equilibrium Value

	Live	Pop	Rock	Custom
120 Hz	50	50	65	50
500 Hz	50	50	55	50
1.5 kHz	50	60	55	50
5 kHz	80	70	55	50
10 kHz	85	70	55	50

**Ex-works settings for User Menu are as follows:**

- 1) The channel is selected as that of the present TV;
- 2) Under video menu, Mode: Standard, NR: Auto;
- 3) Under audio menu, Volume: 20, Balance: 00, Equalizer: Custom, SRS Mode: Auto, HP Volume: 20;
- 4) Under edit menu, Color System: Auto, Sound System: I;
- 5) Under the menu of selection items: Default Zoom: Auto, Child Lock: Off, Menu Language: English, Country: UK, WSS: OFF, Blue Screen: On.

Note: The forth item and the fifth item should be designed according to the customer's request.

**Trouble shooting**

Before servicing please check to find the possible causes of the troubles according to the table below.

**1. Antenna:**

Picture is out of focus or jumping	<ul style="list-style-type: none"> <li>● Bad status in signal receiving</li> <li>● Maybe broadcast signal itself is not good</li> <li>● Check if the outdoor antenna is disconnected.</li> <li>● Check if the antenna is correctly oriented.</li> </ul>
Fringe in picture	<ul style="list-style-type: none"> <li>● Check if the antenna is correctly oriented.</li> <li>● Maybe there is electric wave reflected from hilltop or building.</li> </ul>
Picture is interfered by stripe shaped bright spots	<ul style="list-style-type: none"> <li>● Possibly due to interference from automobile, train, high voltage transmission line, neon lamp etc.</li> <li>● Maybe there is interference between antenna and power supply line. Please try to separate them in a longer distance.</li> </ul>
There appear streaks or light color on the screen	<ul style="list-style-type: none"> <li>● Check if interfered by other equipment and if interfered possibly by the equipment like transmitting antenna, professional radio station and cellular phone.</li> </ul>

## 2.TV set:

Symptoms	Possible cause
Unable to switch the power on	<ul style="list-style-type: none"> <li>● Check to see if the power plug has been inserted properly into the socket.</li> </ul>
No picture and sound	<ul style="list-style-type: none"> <li>● Check to see if the power supply of liquid crystal TV has been switched on. (as can be indicated by the red LED at the front of the TV set)</li> <li>● See if it's receiving the signal that is transmitted from other source than the station</li> <li>● Check if it's connected to the wrong terminal or if the input mode is correct.</li> <li>● Check if the signal cable connection between video frequency source and the liquid crystal TV set is correct.</li> </ul>
Deterioration of color phase or color tone	<ul style="list-style-type: none"> <li>● Check if all the picture setups have been corrected.</li> </ul>
Screen position or size is not proper	<ul style="list-style-type: none"> <li>● Check is the screen position and size is correctly set up.</li> </ul>
Picture is twisted and deformed	<ul style="list-style-type: none"> <li>● Check to see if the picture-frame ratio is properly set up.</li> </ul>
Picture color changed or colorless	<ul style="list-style-type: none"> <li>● Check the "Component" or"RGB"settings of the liquid crystal TV set and make proper adjustment according to the signal types.</li> </ul>
Picture too bright and there is distortion in the brightest area	<ul style="list-style-type: none"> <li>● Check if the contrast setting is too high.</li> <li>● Possibly the output quality of DVD broadcaster is set too high.</li> <li>● It maybe also due to improper terminal connection of the video frequency signal in a certain position of the system.</li> </ul>
Picture is whitish or too bright in the darkest area of the picture	<ul style="list-style-type: none"> <li>● Check if the setting for the brightness is too high</li> <li>● Possibly the brightness grade of DVD player(broadcaster)is set too high.</li> </ul>
No picture or signal produced from the displayer if "XXX in search"appears.	<ul style="list-style-type: none"> <li>● Check if the cable is disconnected.</li> <li>● Check if it's connected to the proper terminal or if the input mode is correct.</li> </ul>
There appears an indication - "outside the receivable scope)	<ul style="list-style-type: none"> <li>● Check if the TV set can receive input signal. The signal is not correctly identified and VGA format is beyond the specified scope.</li> </ul>
Remote control cannot work properly	<ul style="list-style-type: none"> <li>● Check if the batteries are installed in the reverse order.</li> <li>● Check if the battery is effective.</li> <li>● Check the distance or angle from the monitor.</li> <li>● Check if there is any obstruct between the remote control and the TV set.</li> <li>● Check if the remote control signal- receiving window is exposed to strong fluorescence.</li> </ul>
No picture and sound, but only hash.	<ul style="list-style-type: none"> <li>● Check if the antenna cable is correctly connected, or if it has received the video signal correctly.</li> </ul>

Blur picture	<ul style="list-style-type: none"> <li>● Check if the antenna cable is correctly connected.</li> <li>● Of if it has received the right video signal.</li> </ul>
No sound	<ul style="list-style-type: none"> <li>● Check if the “mute” audio frequency setting is selected.</li> <li>● Check if the sound volume is set to minimum.</li> <li>● Make sure the earphone is not connected.</li> <li>● Check if the cable connection is loose.</li> </ul>
When playing VHS picture search tape, there are lines at the top or bottom of the picture.	<ul style="list-style-type: none"> <li>● When being played or in pause VHS picture search tape sometimes can't provide stable picture, which may lead to incorrect display of the liquid crystal TV. In this case please press “auto” key on the remote control so as to enable the liquid crystal TV set to recheck the signal and then to display correct picture signal</li> </ul>

## Method of software upgrading

### 1.guidance for software installation

open the compressed files to obtain the “LoadDriver”, running the “IAPWriter.exe” and soon it will enter into IAP program.

### 2.TV enter into IAP state(automatic software upgrading)

one method: press constantly the “vol –” button, turn on

another method: enter into the factory menu to select the “IAP” item, press the “enter” button

### 3.connect the “IICtools” of computer with the upgrading interface of TV.

4.running “ IAPWriter ” to enter into the upgrading state(if there are failure between the computer and TV's IIC communication, the indication that can't enter into the next step will appear. you need to check the wiring at this moment.

5.after selecting “files” menu and obtaining the software which requires upgraded, selecting the “Device” menu: “write”→ “device”, until the indication of “success” appears at the down-left corner, turn off the power, unplug the tool and turn on the TV again.

**Note:** the upgrading process maybe appears unstable because of the upgrading software, but the software can download and write again automatic. if download and write repeated many times, please turn off the TV and enter into IAP again, upgrade again.

## Basic Working Principle

### 1. Analog signal flow process:

The signal received by antenna is fed into an integrated tuner (including high frequency and medium amplification circuit). The tuner is controlled by the instructions (SDA, SCL) of MCU N501(SDA5550), selects proper channels and conducts the right switching over of modes and outputs video signal 2Vpp and audio signal 1Vpp after high and medium amplification and decoding.

Audio signal including SCART1,2 sound, AV sound as well as the YPbPr,DVI,D-SUB sound signal switched over through N704 HEF4052BT (sound change-over switch), and Scart audio input signal is fed into N201 (MPS3410 sound processing and volume control)for the switch-over of audio signal. The selected audio signal is fed, separately from left and right sound channels, into SRS IC(M62494 virtual surrounding sound processing) N203, where it is subject to virtual surrounding sound processing. The processed audio signal is fed, separately from left and right sound channels, into the digital sound power amplifier N213/N214(MPS7720) for amplification and then further fed into loudspeaker (in the future it may be changed into sound box for the improvement of sound quality) for

sound reproduction. M62494 is a virtual surrounding sound processing IC, which is subject to the control of I/O port (77/78Pin) of N201 MPS3410.

The video signal output from the tuner, AV signal and Svideo signal, after matching with resistor, directly enter, respectively from its own channel, into the main decoder IC N101(PanelTv-Svp), where they are subject to video switch-over, A/D conversion, digital decoding, image zooming and OSD superposition. Then they are output in electric level TTL to N601 DS90C383 (LVDS transmitting IC) for driving the crystal display screen.

The Scart1 video signal and RGB signal, after matching with resistor, enter into the decoder IC N401 (VPC3230 digital decoder), where they are subject to A/D conversion, and digital decoding. Then they are fed in digital format into PanelTv-Svp for image zooming and OSD superimposition. Afterwards they are further fed, in electric level TTL, into N601 DS90C383(LVDS IC) for driving the liquid crystal display screen.

The Scart2 video signal and Y/C signal, after matching with resistor, enter into the decoder IC N401 (VPC3230 digital decoder), where they are subject to A/D conversion, and digital decoding. Then they are fed in digital format (IUT656) into PanelTv-Svp for image zooming and OSD superimposition. Afterwards they are further fed, in electric level TTL, into N601 DS90C383 (LVDS IC) for driving the liquid crystal display screen.

For the specific circuit type and internal block diagram, please see the attached Fig.

## **2. Digital signal flow process:**

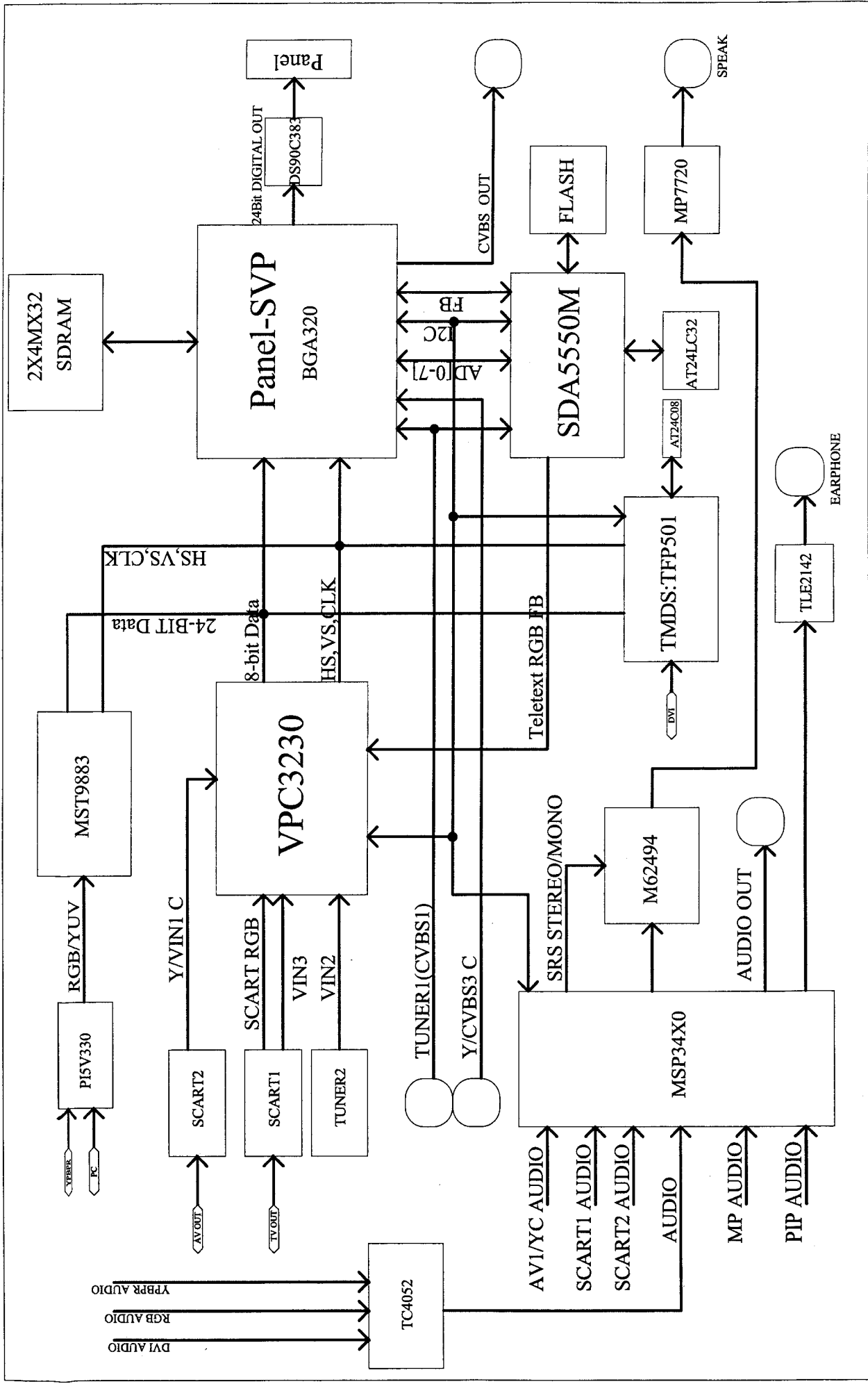
(For the time being we call D-SUB, YpbPr signal also as digital signal. But in fact the two signals are analog ones in terms of transmission and are only in digital format after conversion in ADC ) D-Sub signal and YpbPr signal are, after matching with resistor, fed into N703 video switch (SN74CBT3257CDR). After switching over, the selected signal is fed into ADC N201 MST9883 for A/D conversion. Then it is output in digital format of (24 digits RGB signal) to PanelTv-Svp PIP channel. Through image zooming and OSD superimposition, it is then output, in electric level TTL for driving LVDS liquid crystal display screen.

DVI signal is received through DVI receiving CMOS chip N761(TFP501DVI receiving chip Has HDCP function). Then the received signal is output through DVI chip in digital format into PanelTv-Svp PIP channel. After image zooming and OSD superimposition, it is output in electric level TTL for driving LVDS liquid crystal display screen.

## **3. Realization of TELETEXT function**

To realize the TELETEXT function of the main channel, this TV set adopts MCU N501(SDA5550),SDA5550 of MICRONAS, which is both MCU and TELETEXT decoder. This set can realize this function by two ways. One is that the radio frequency, after being decoded in SDA5550, through parallel interfaced bus line, realizes the TELETEXT function in the form of OSD. The advantage in this way is the result is relatively good and the characters/symbols are stable; the disadvantage is that it is relatively slow for the TELETEXT function to appear through OSD. The other way is that the radio frequency is decoded in SDA5550 into RGB signal, which is subject to A/D conversion in IC N401(VPC3230 digital decoder) and then it is fed in digital format into PanelTv-Svp for the realization of TELETEXT function. The advantage in this way is the speed the teletext comes out is faster and the disadvantage is due to the fact that it is fed, in analog RGB form, into VPC3230 and goes through it, the analog signal is easily subject to outside interference and thus the stability of characters/symbols is not so good as the previous way (through OSD). We have chosen the first way. which in turn it is relatively slow for the TELETEXT function to appear through OSD.

#### 4. BLOCK DIAGRAM

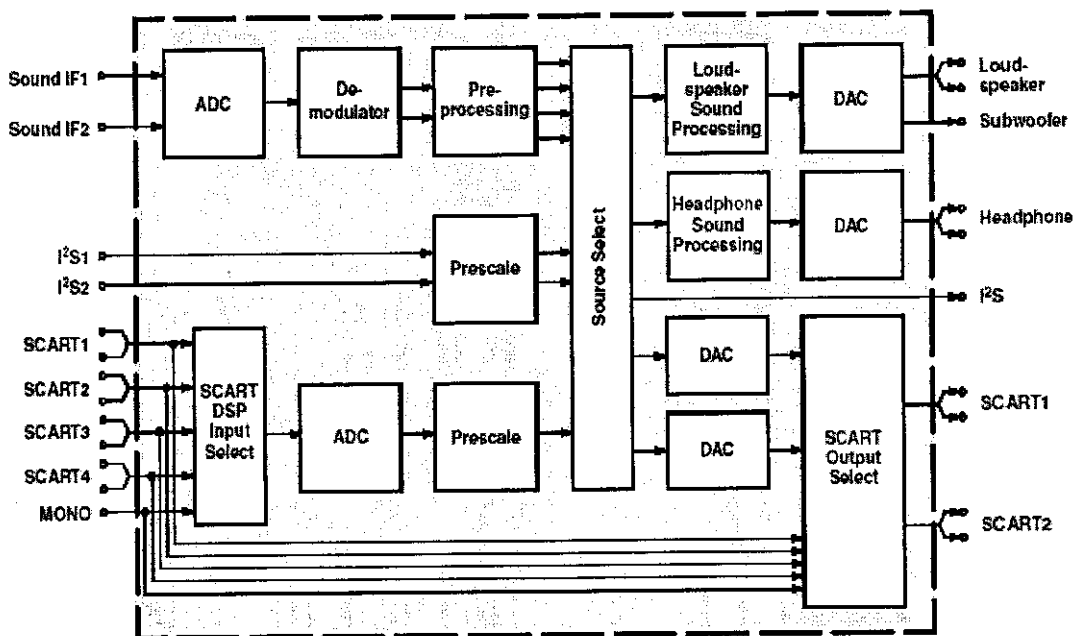


## 5. Introduction to main IC and principle block diagram

### a). Sound processing IC(MSP3410)

Audio signal is fed directly into audio processor N201 MSP3410 whereas two-way tuner sends intermediate frequency signal SIF of its second sound to N201 for processing (used for decoding of stereo or automatic sound volume control. N201 is equipped with audio channel changeover switch. The audio input VGA/DVI/YPrPb of the main board is subject to selection and switch over in N704(HEF4052BT) and then sent to N201 together with the audio signal of TV and AV. The selected audio signal is divided into several portions. One portion is sent separately through left and right channels, after being subject to the control of volume and pitch(alt/bourdon), into SRS IC(M62494 virtual surround sound processor) N203 for virtual surround sound processing. The processed audio signal is then fed separately through left and right sound channels into digital sound power amplifier N213/N214(MPS7720) for amplification, and then further fed into the loudspeaker (In the future it may be changed into sound box for improved sound quality) for the reproduction of sound. Another portion is fed separately through left and right sound channels into the earphone power amplifier N212(TLE2142). After amplification there it is output to earphone jack for listening to. The volume is controlled through I2C bus line by N201. The other two portions are output, separately used as accompanying sound of TV out and AV out, through the port SCART of the video board.

The block diagram of MSP3410 is shown in the Fig. below:



The main pins of MSP3410 in this TV model are described as follows:

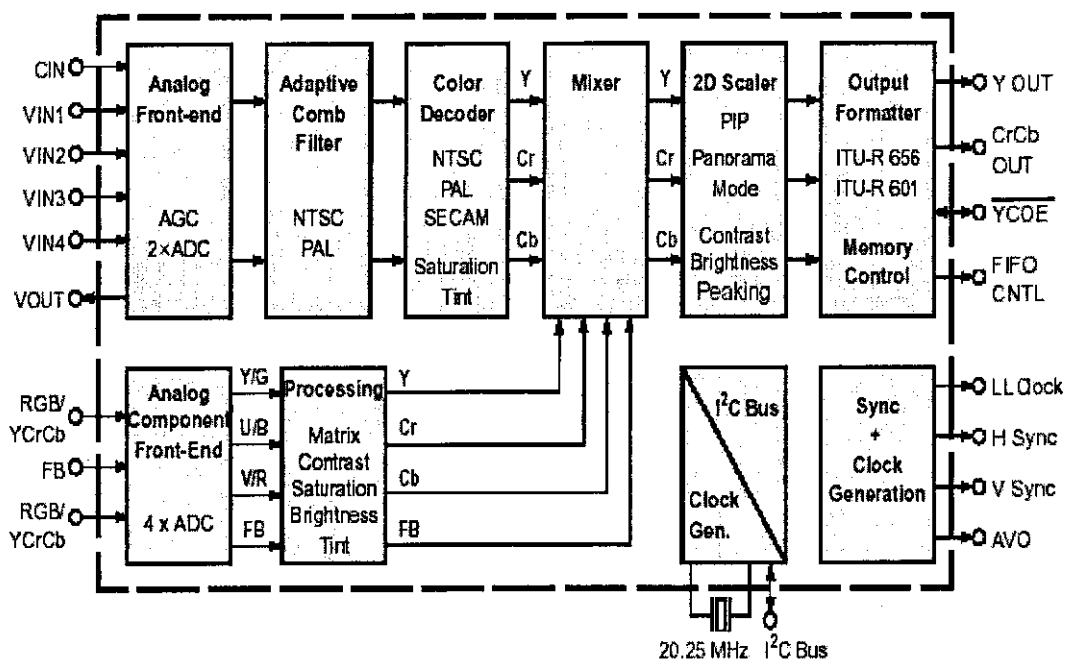
- 2, 3:SCL and SDA, for the control of the operations of IC;
- 27, 28:output to the left and right channels of sound power amplifier;
- 24, 25: for left and right channels of earphone sound;
- 36, 37:AV OUT left and right sound channels;
- 33, 34:TV OUT left and right sound channels;
- 47, 48:fed from the main board to left and right sound channels;
- 50, 51:left and right channels of SCART2 sound;
- 53, 54:left and right channels of SCART1 sound;

- 56, 57:left and right channels of AV IN sound;
- 67, 69:SIF input of TV for main and sub channels;
- 59:MONO input of TV for sub channel

Sound power amplifier MPS7720 is a highly efficient Type D power amplifier of mono channel input and output. The output power can be as high as 10W under the circumstance that there is no radiator. It has also the function of silencing abnormal sound.

**b). Sub channel and SCART audio signal decoding IC(VPC3230)**

The block diagram of VPC3230 is shown below:



The video signal demodulated by sub tuner TUNER202, Scart1 video signal and RGB signal as well as Scart2 audio signal and Y/C signal, after matching with resistor separately, are fed into decoder IC N401(VPC3230), where they are subject to D/A conversion, digital decoding. Then they are fed in digital format (IUT656) into main processor IC N101(PanelTv-Svp). At the same time the VPC3230 VOUT signal, after isolation, is divided into two portions. One portion is fed into video board as AV OUT for output; the other portion is fed to N501(SDA5550) as the decoding signal for teletext. Therefore this TV model is ready to support teletext function under TV, AV, SCART1 and SCART2.

The main pins of VPC3230 in this TV model are described as follows:

- 13, 14:SCL, SDA, for the control of IC operations;
- 4, 5, 6: RGB signal input for SCART1;
- 74: video signal of SCART1 or RGB compound synchronous input;
- 71, 72: Y/C signal input for SCART2;
- 73: video signal input for sub tuner;
- 75: AV video signal input;
- 70: VOUT signals of VPC3230.

**c). IC(MST9883) that receives YPbPr/YcbCr and RGB**

YPbPr/YcbCr and RGB signals are, after the selection and change over in N703(sn74cbit3257c), fed into N201(MST9883), where it is subject to D/A conversion. Then they are fed in digital format to the main processor IC N101(PanelTv-Svp).



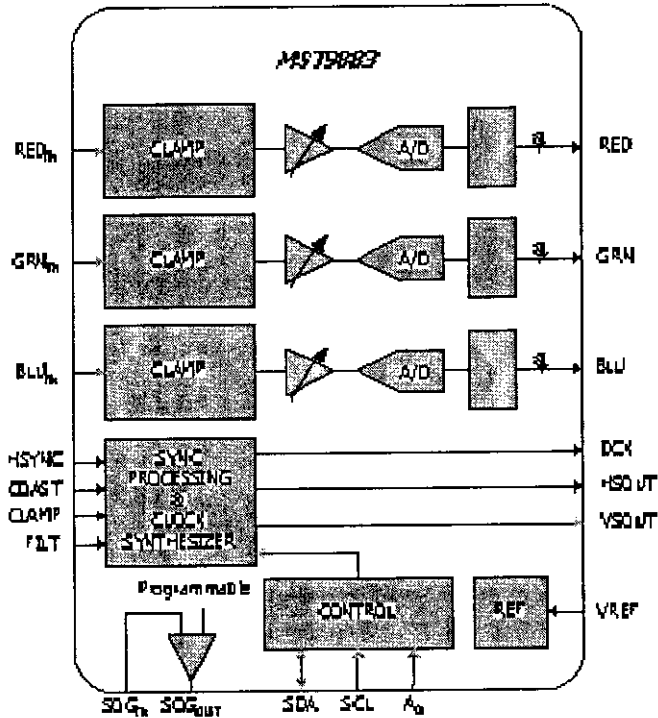
The main pins of MST9883 in this TV model are described as follows:

56,57:SCL,SDA, for the control of IC operations;

43, 48, 54:RGB/YUV signal input;

30, 31:Line and field synchronous RGB signal input RGB;

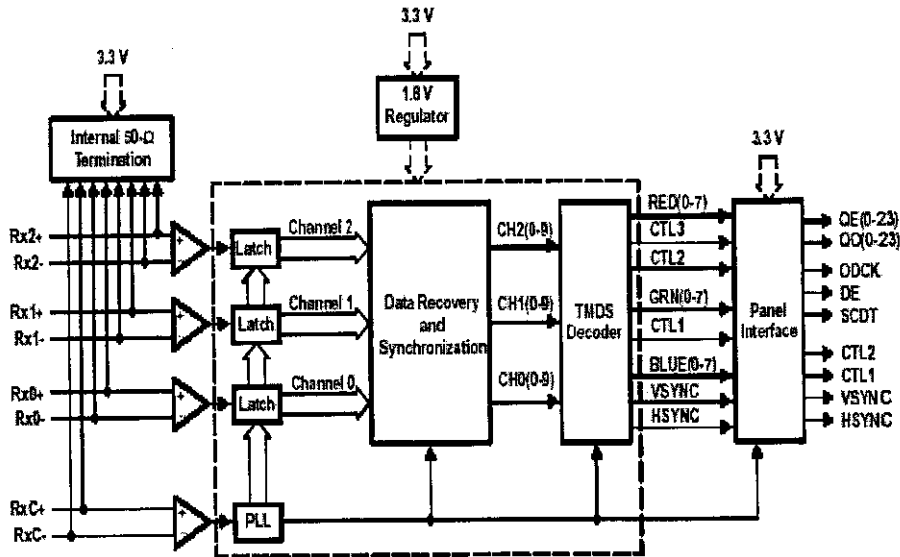
The block diagram of MST9883 is shown below:



d). IC(TFP501) that receives DVI signal

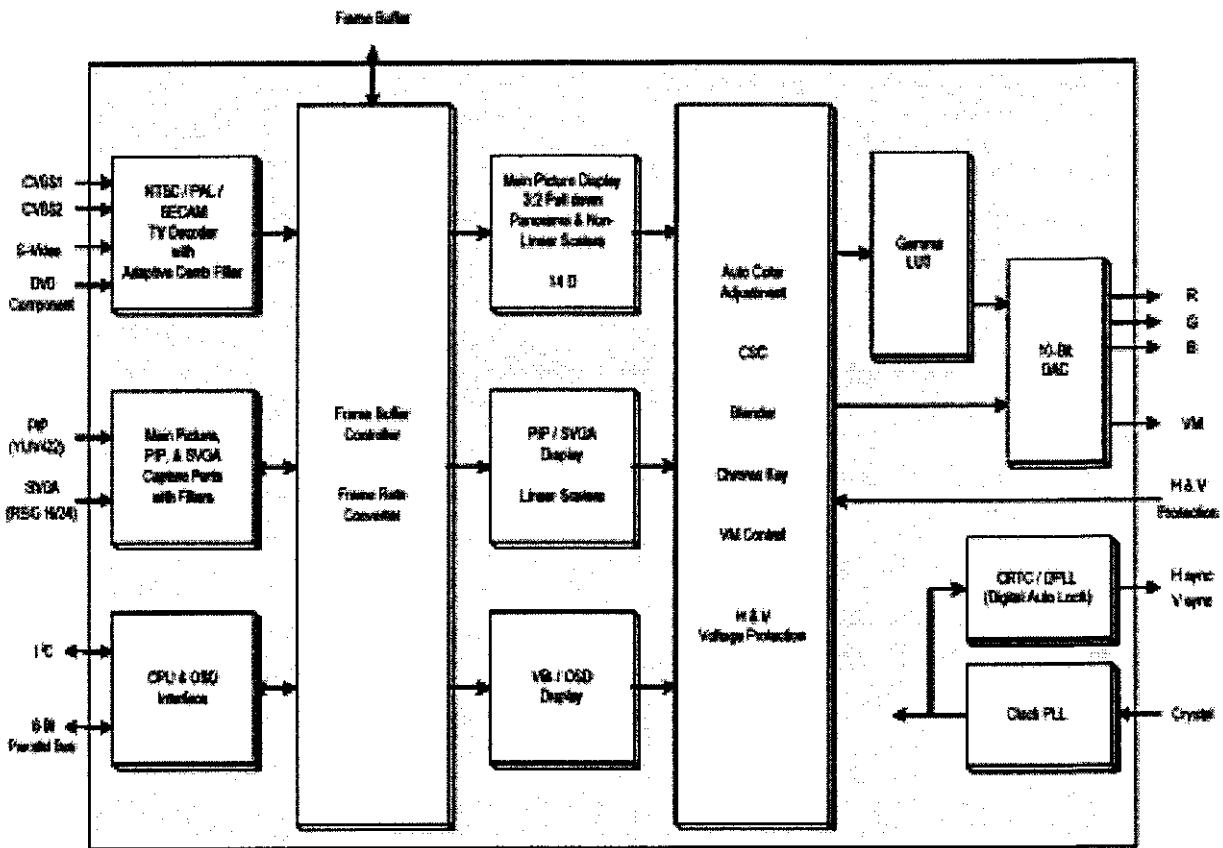
The differential signal of DVI is fed into N761(TFP501). Then it is converted into 24bit digital signal, which is in turn fed to the main processor IC N101(PanelTv-Svp). Furthermore, when TFP501 is matched with N760(M24C08), it is possible to realize the display of image signals with HDCP information.

The block diagram of TFP501 is shown as below:



**e). Main picture decoding and processing IC(PanelTv-Svp)**

The block diagram of PanelTv-Svp is shown below:



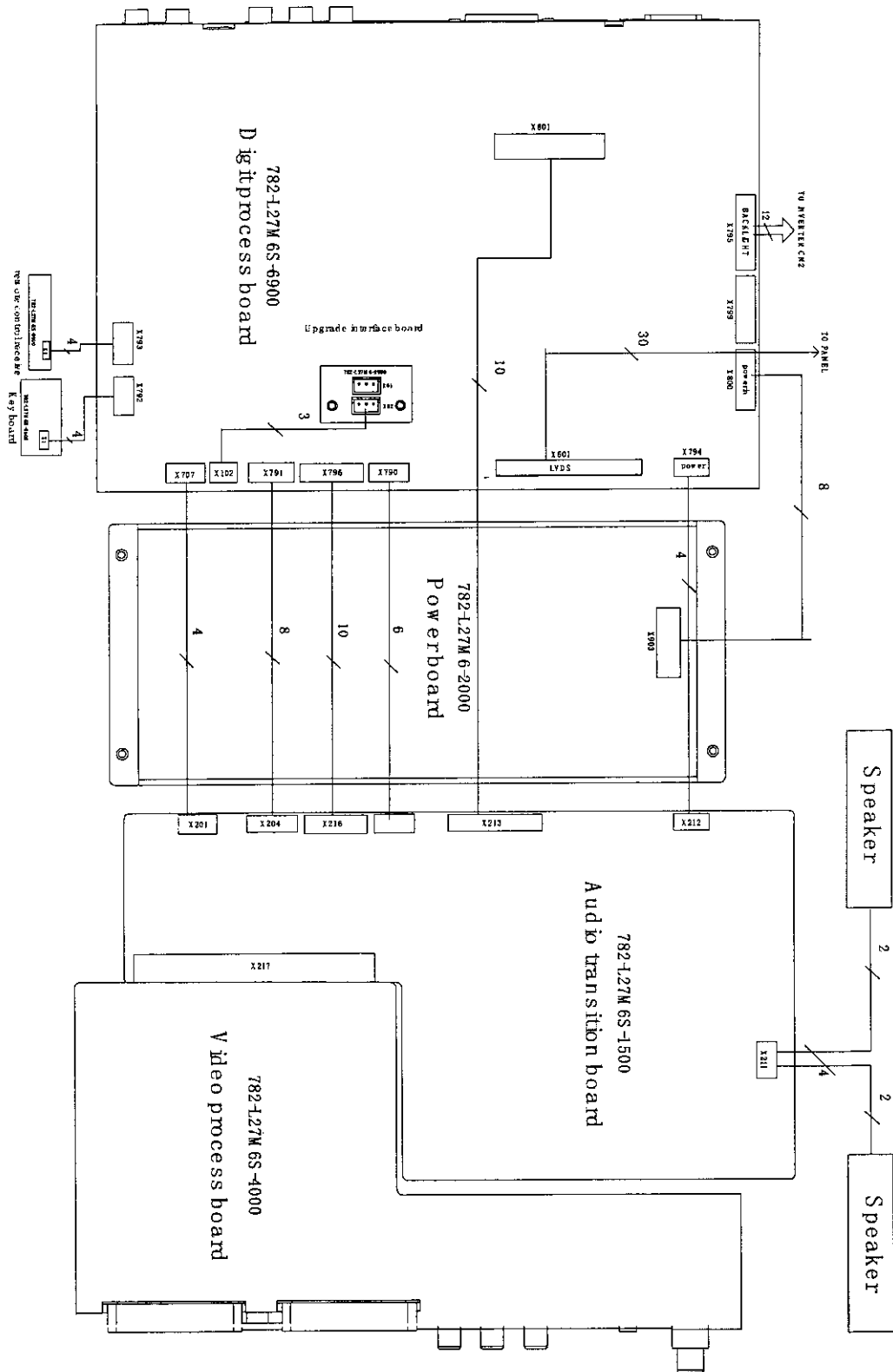
The video signal output from main tuner(TUNER201),AV and Svideo signal, after matching with resistor, fed directly through its respective channel into main decoder IC N101(PanelTv-Svp), where they are subject to the changeover of video, A/D conversion, digital decoding, image zooming and OSD superimposition. Then they are output in electric level TTL to N601 DS90C383 (LVDS transmitting IC) for driving liquid crystal display screen. Besides the digital signal fed from VPC3230, MST9883 and TFP501 are subject to image zooming and OSD superimposition in N101. Then they are output in electric level TTL to N601 DS90C383 (LVDS transmitting IC) for driving the liquid crystal display screen.

Furthermore it is also possible to realize multi-display functions in N101 such as PIP, POP, double pictures and 9 pictures.

The main pins of PanelTv-Svp in this TV model are described as follows:

- K4, J1:SCL,SDA, for the control of IC operations;
- L2, P4: Y/C signal input of Svideo;
- L4: video signal input of main tuner;
- L3: AV signal input;
- Y10, Y11, W11:IC analog RGB signal output(can be used during adjustment);
- U13, V13, Y2: line/field synchronous signal and PCLK signal output.

# WIRING DIAGRAM



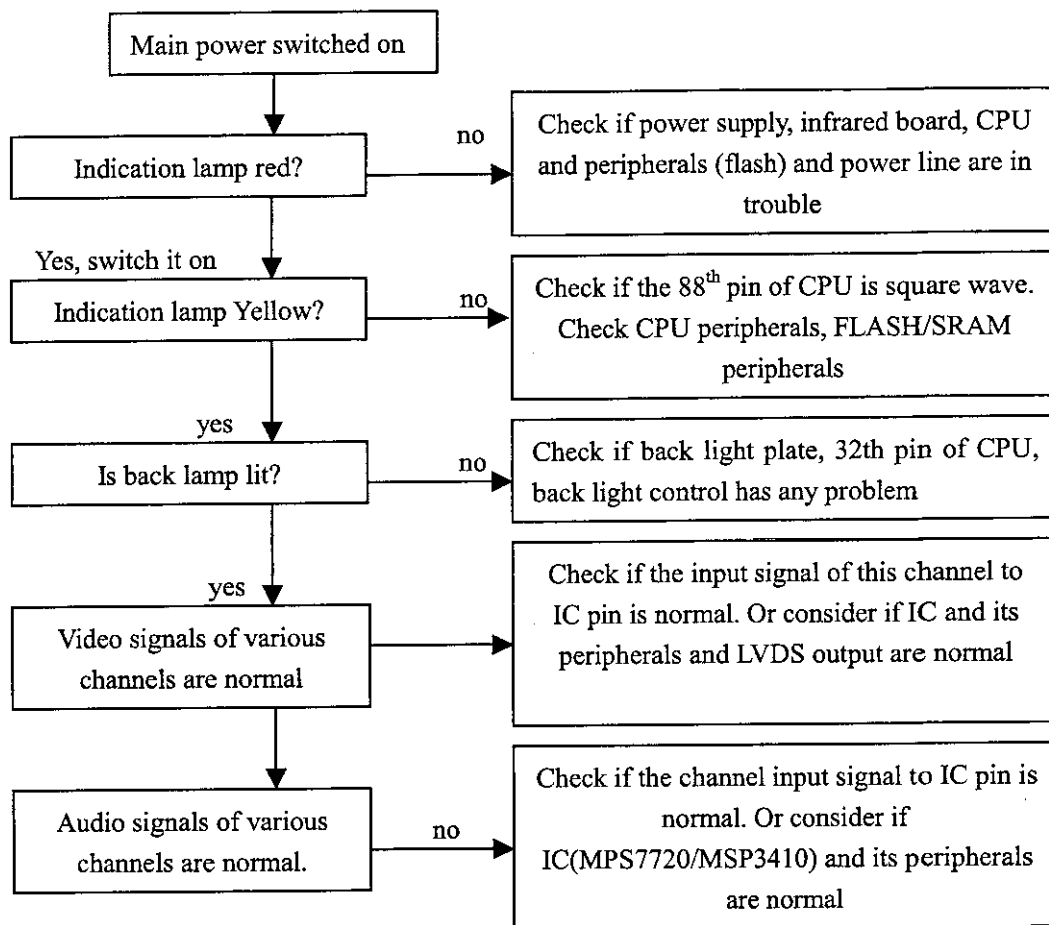
Note: The coded number of the printed circuit boards above and parts may be changed along with the performance improvement. For details please consult our service people.

**Serial No. of Parts**

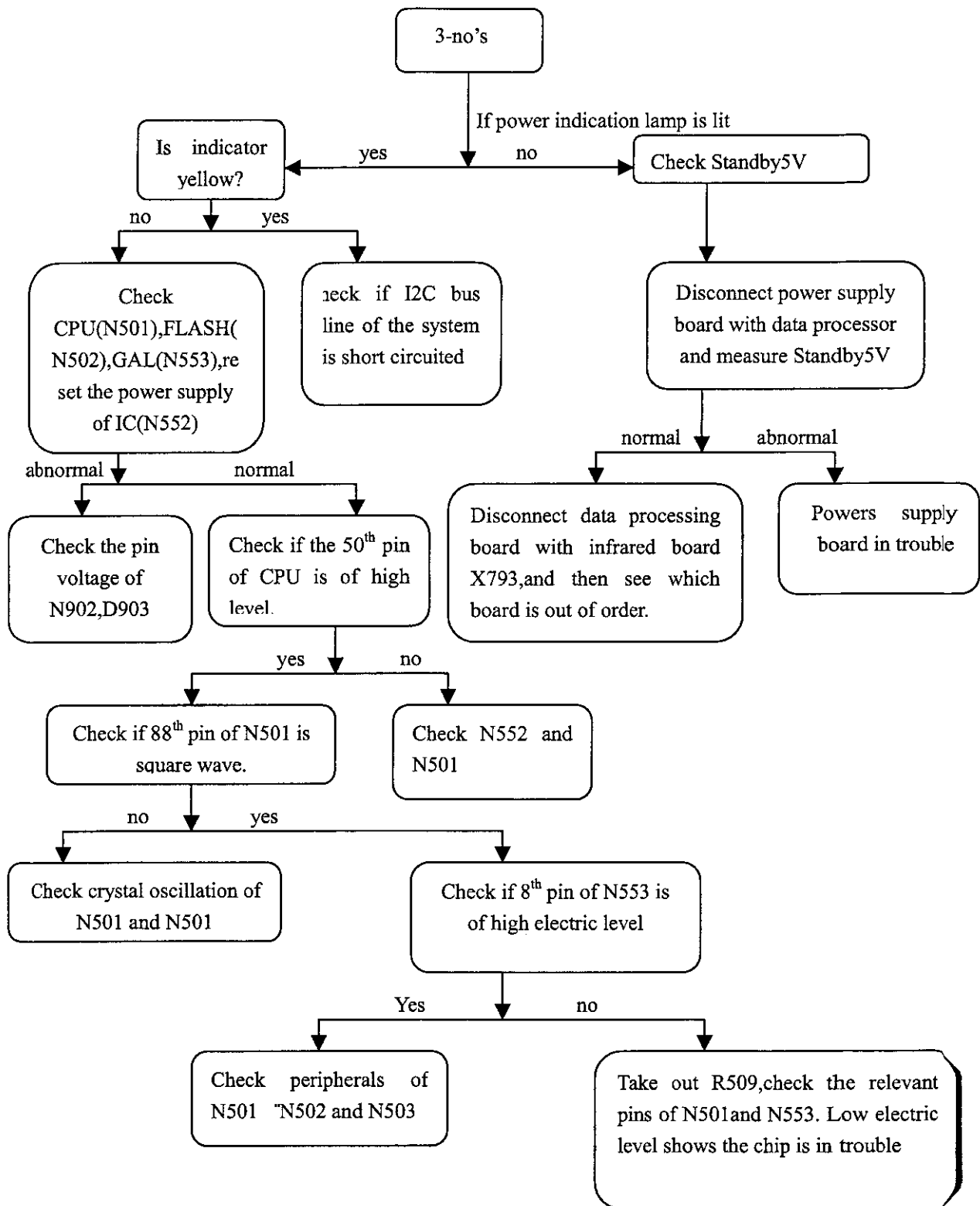
NAME	NO.	main component or NO.	
data processing board	667-L27M7S-69 (667-L27M6S-69)	N101	PanelTv-Svp (353-PANEL-20)
		N201	MST9883 (353-98830-10)
		N401	VPC3230 (353-32300-80)
		N501	SDA5550M (353-55500-00)
		N502	W29C040 (353-29040-00)
		N601	DS90C383 (353-03830-70)
		N761	TFP501 (353-05010-00)
Sound processing board	667-L27M7S-15 (667-L27M6S-15)	N201	MSP3410G (353-34100-80)
		N203	M62494FP (353-62494-20)
		N213 N214	MP7720 (353-77200-10)
Video processing board	667-L27M7S-40 (667-L27M6S-40)	TUNER201	JS-6B2/122A2-A2 (590-40512-00)
		TUNER202	JS-6B2/121A2 (590-40511-00)
		N212	TLE2142CP (352-21420-00)
IR-receiver board	667-L27M6S-09		
Button board	667-L27M6S-05		
Updata interface board	667-L27M6-29		
Power board	667-L27M6-20		

# TROUBLESHOOTING GUIDE

## 1. Process of diagnosing happening troubles



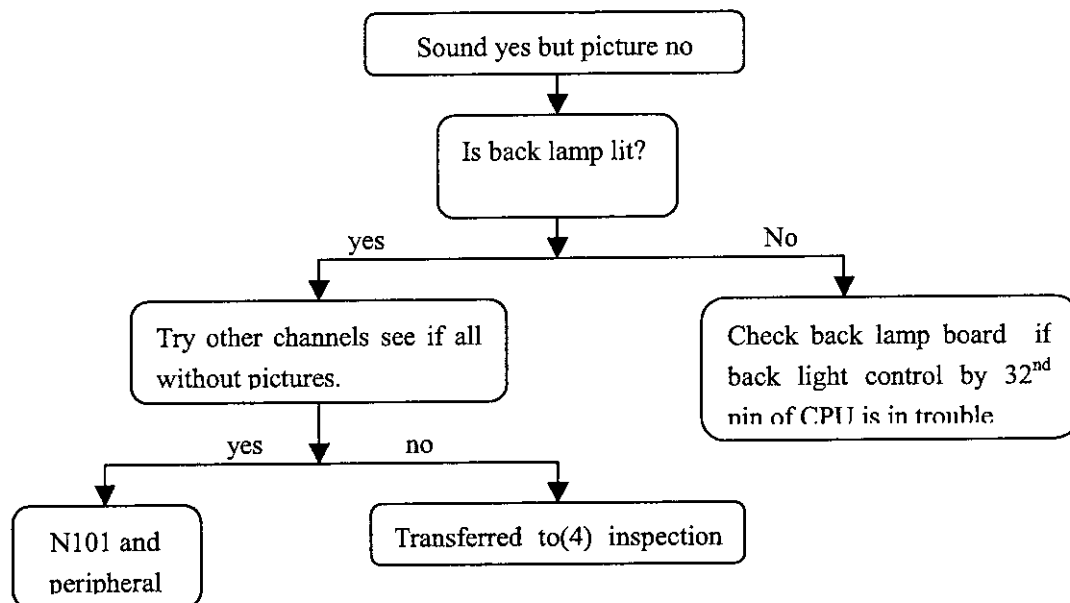
## 2.Trouble of 3-no's (no raster, no picture and no sound)



**Note:**When the electric level of the 50<sup>th</sup> pin of N501 is measured low, take R554 out. Then check if the relevant pins of N501 and N552 are of high electric level. Low electric level shows that the chip is in trouble. During the check of the peripherals of N501, N502 and N503, oscilloscope can be used to detect the pins of the resistor array connected

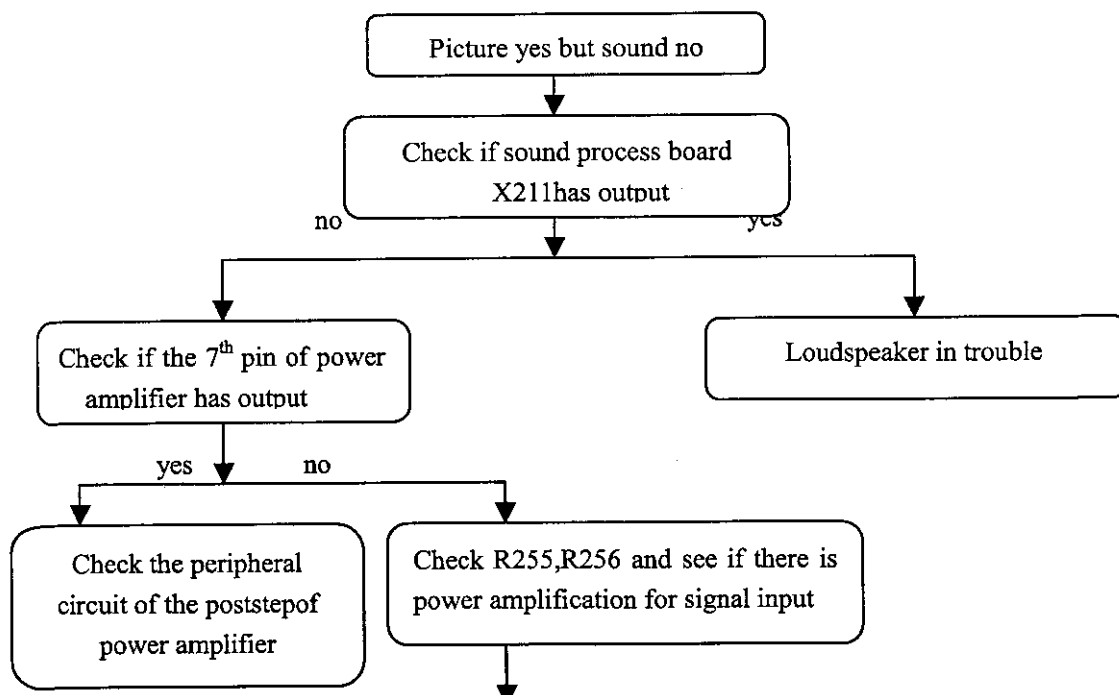
between N501,N502 and N503, in addition to inspect the welding condition of relevant parts and fittings. If the waveform detected is of regular square wave or no signal, it shows that N501 or N502 or N503 is abnormal so that the address link and data link between them become out of order. Now most probably N502 has error.

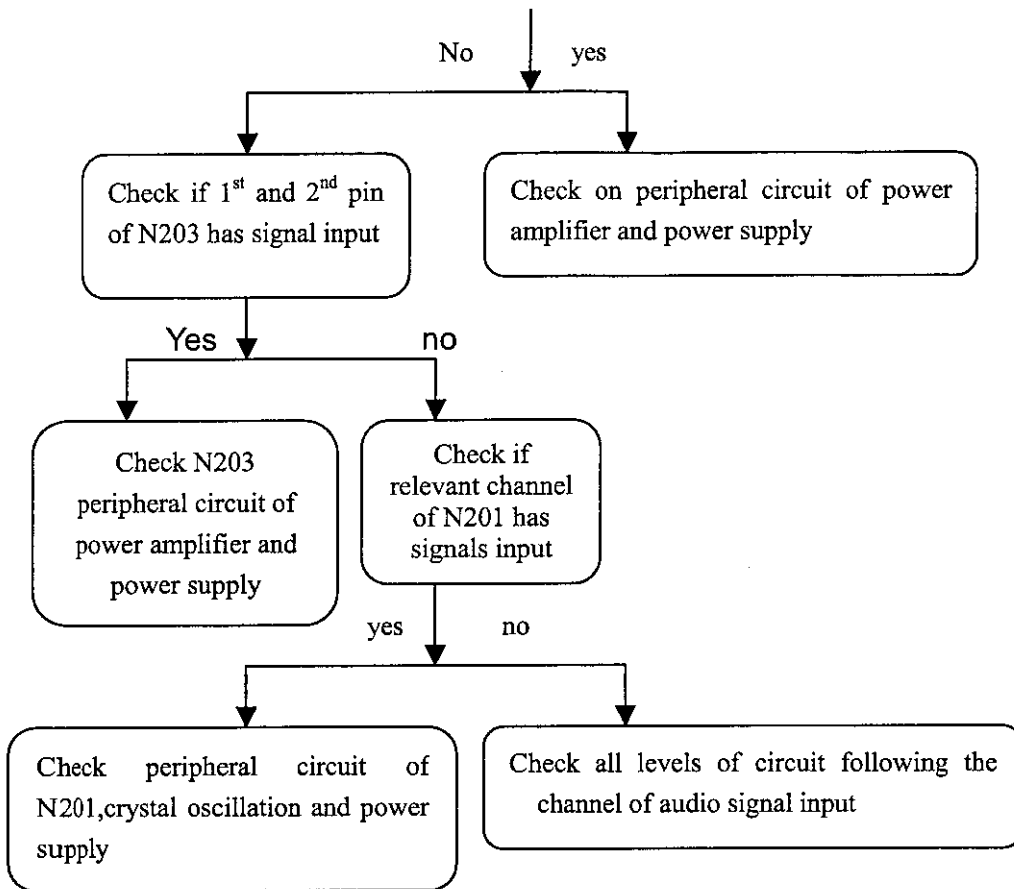
### 3. With sound but without picture



**Note:** The no picture phenomena in channel discussed here refers to that detected TV,AV and terminal S are detected to be with sound but without picture. As to inspection details of other channels, please refer to inspection program(4).

### 4. With picture but without sound

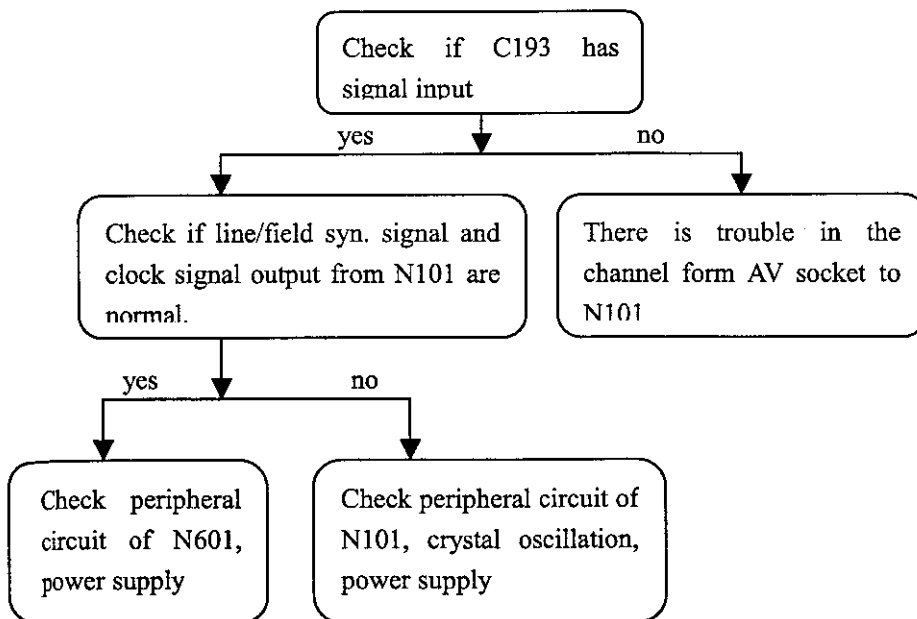




Note: It is after the changeover by external audio switch that the audio signal of high definition, DVI and VGA channels enters MSP3410 through. Therefore if the audio signal of the channels above is in trouble, it is necessary to check the peripheral circuit of N704 on the data processing board as well as the power supply.

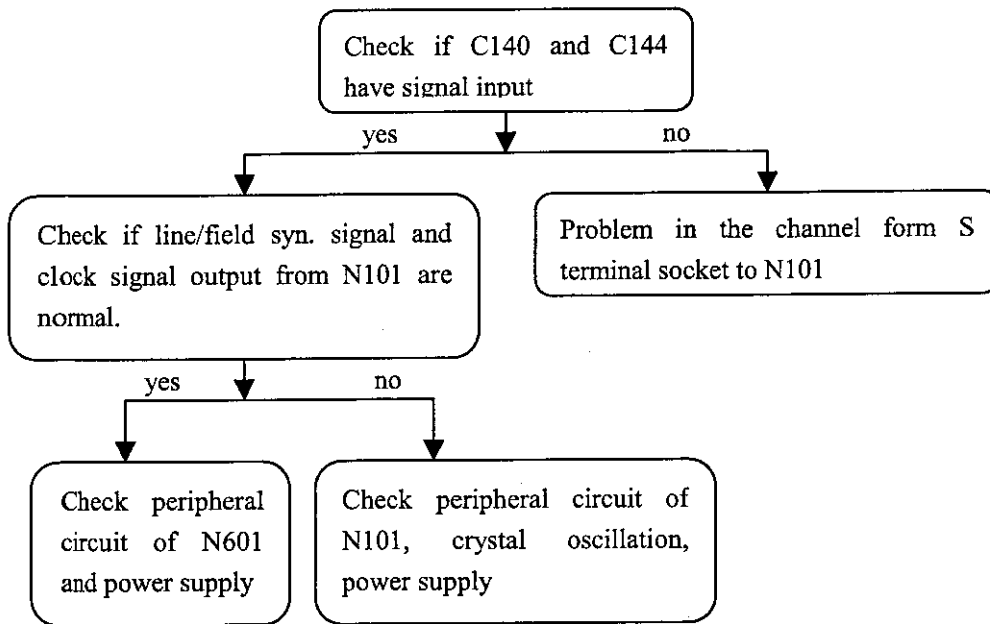
**5.A certain channel works abnormally**

**a). No picture in AV**





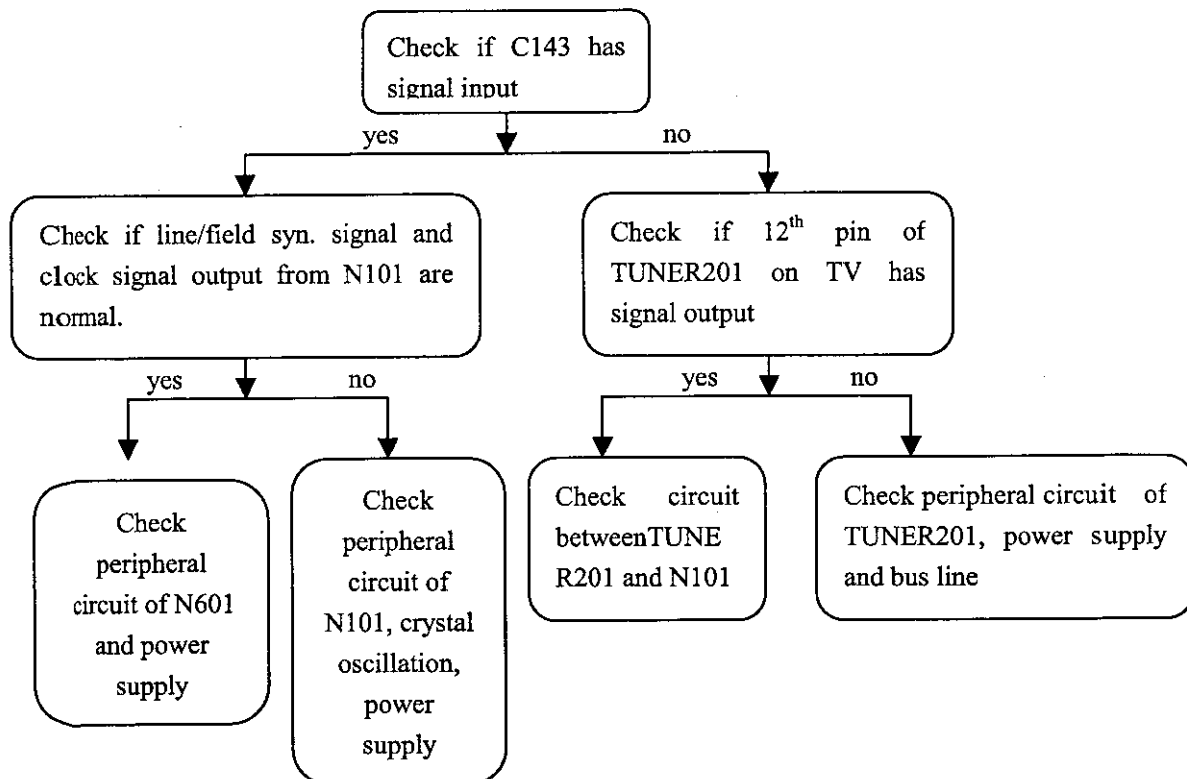
**b). No picture for S terminal**



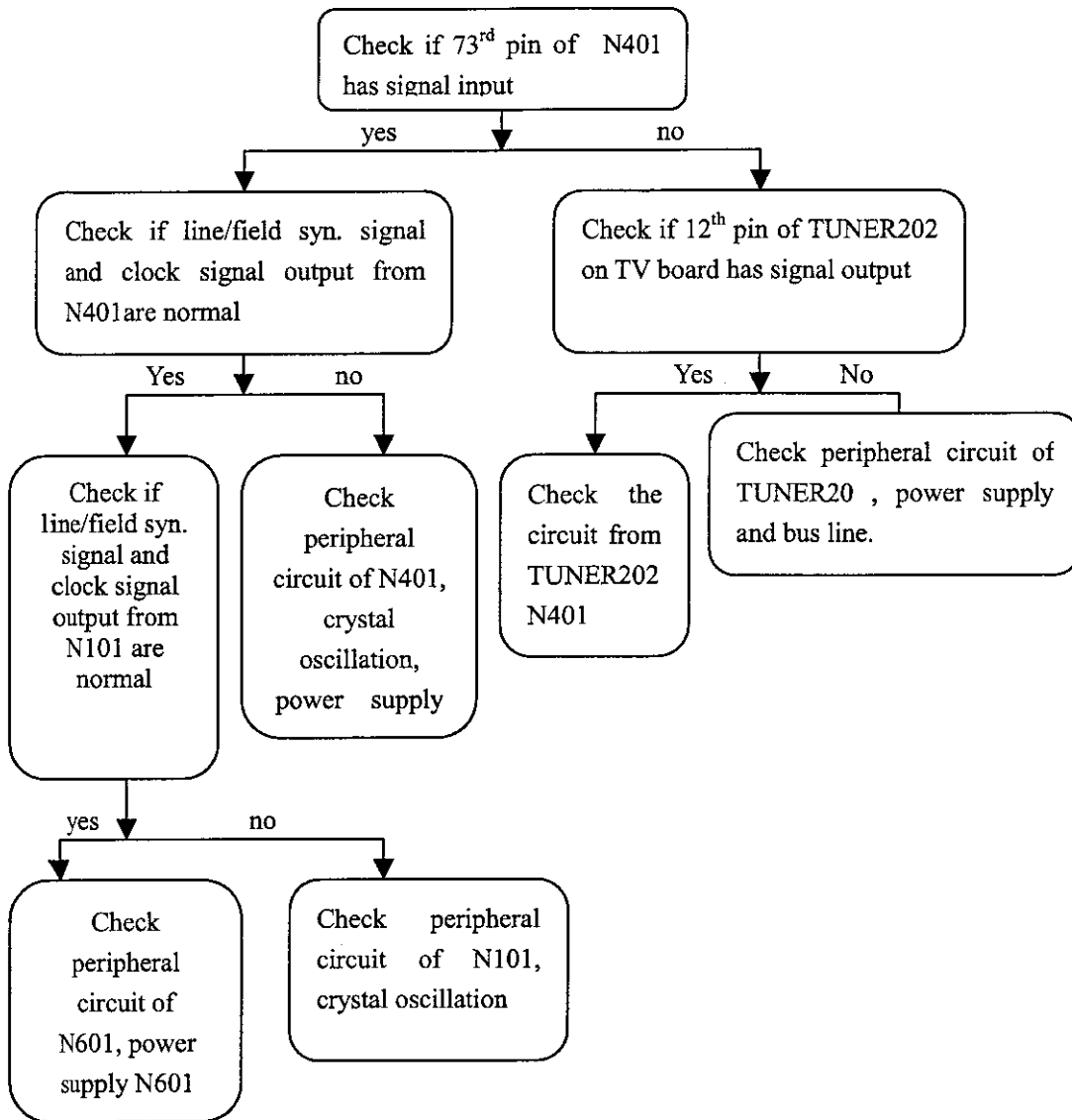
**c). No picture in TV channel**

First use the double picture function to judge whether the problem lies in the main screen or sub-screen.

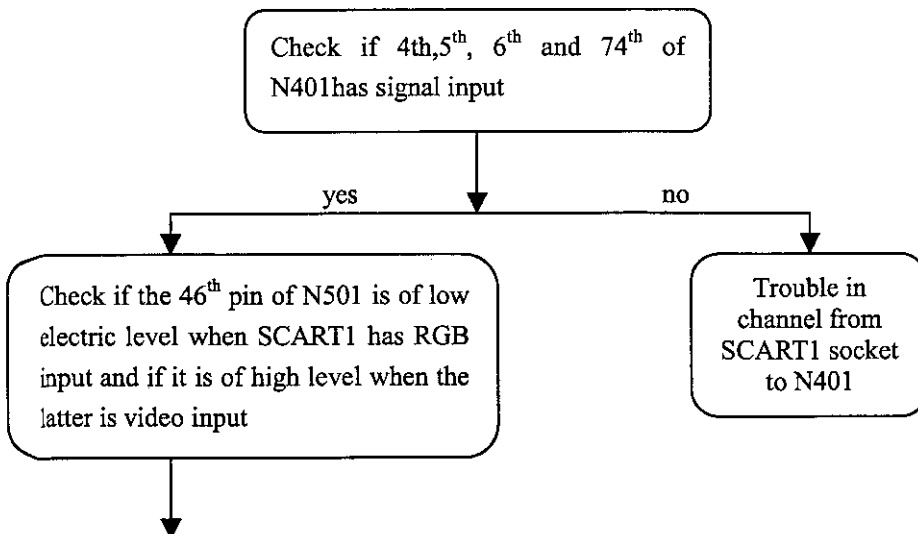
**No picture in the main screen:**

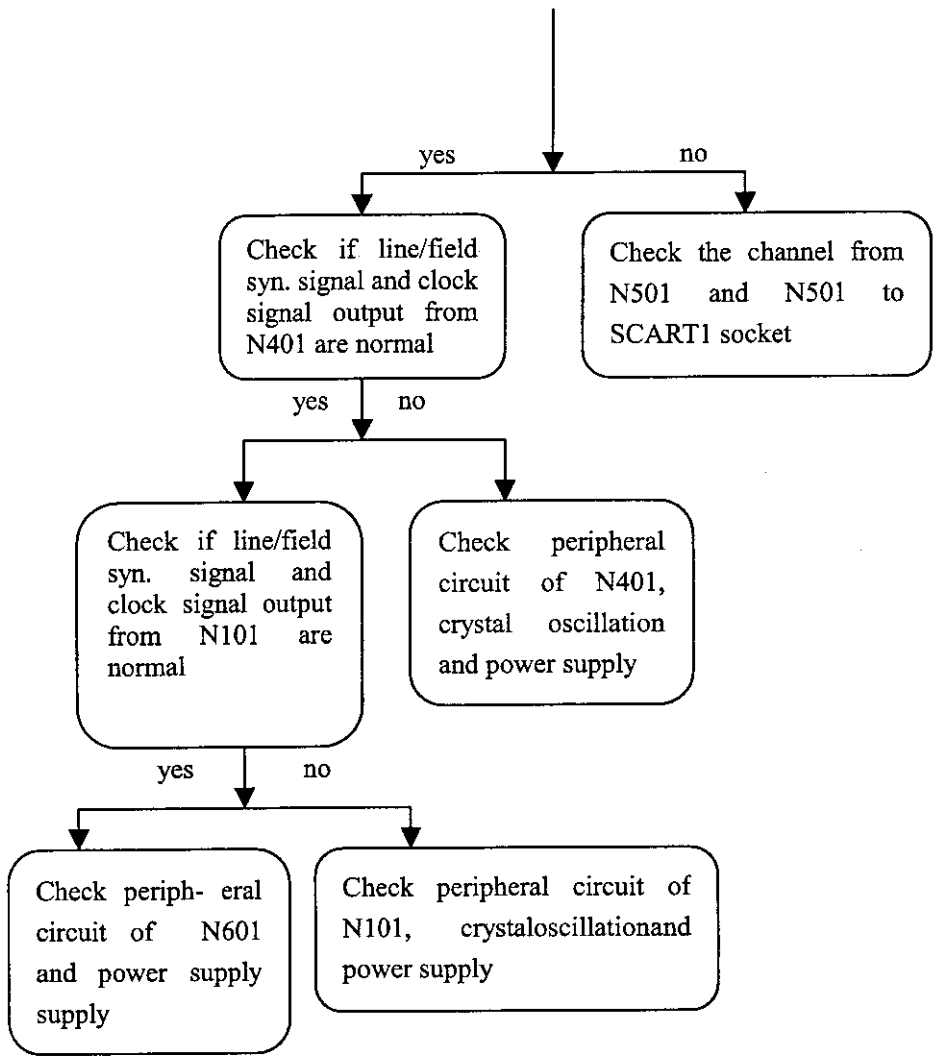


No picture in sub-screen:

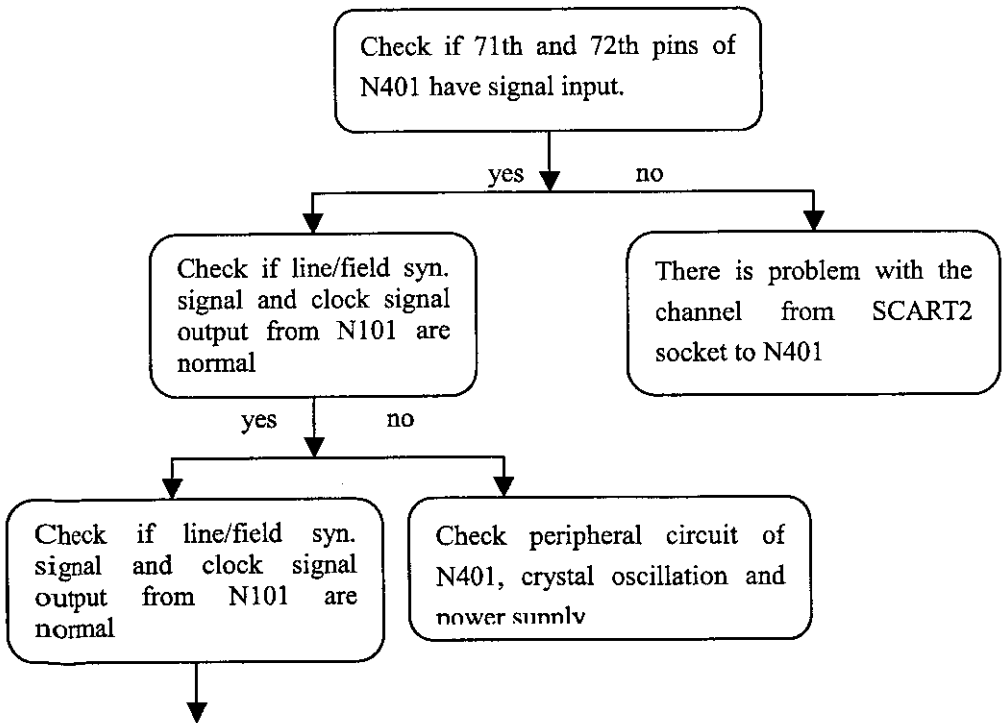


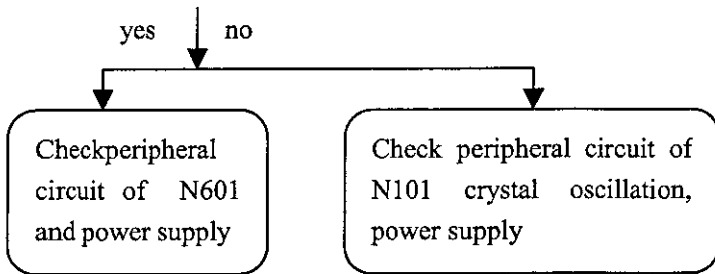
**d). No picture in SCART1 channel**



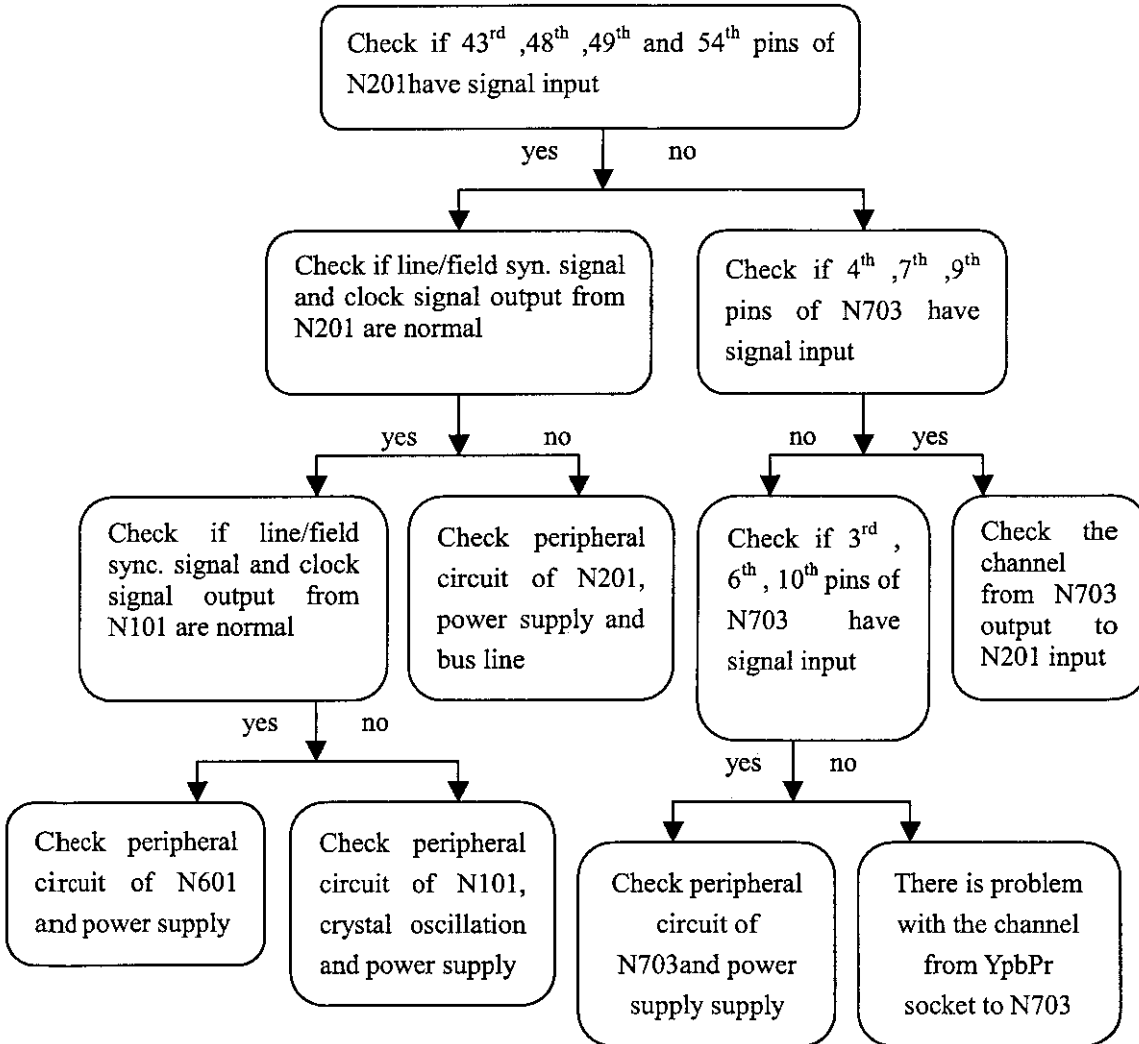


**e). No picture in SCART2 channel**

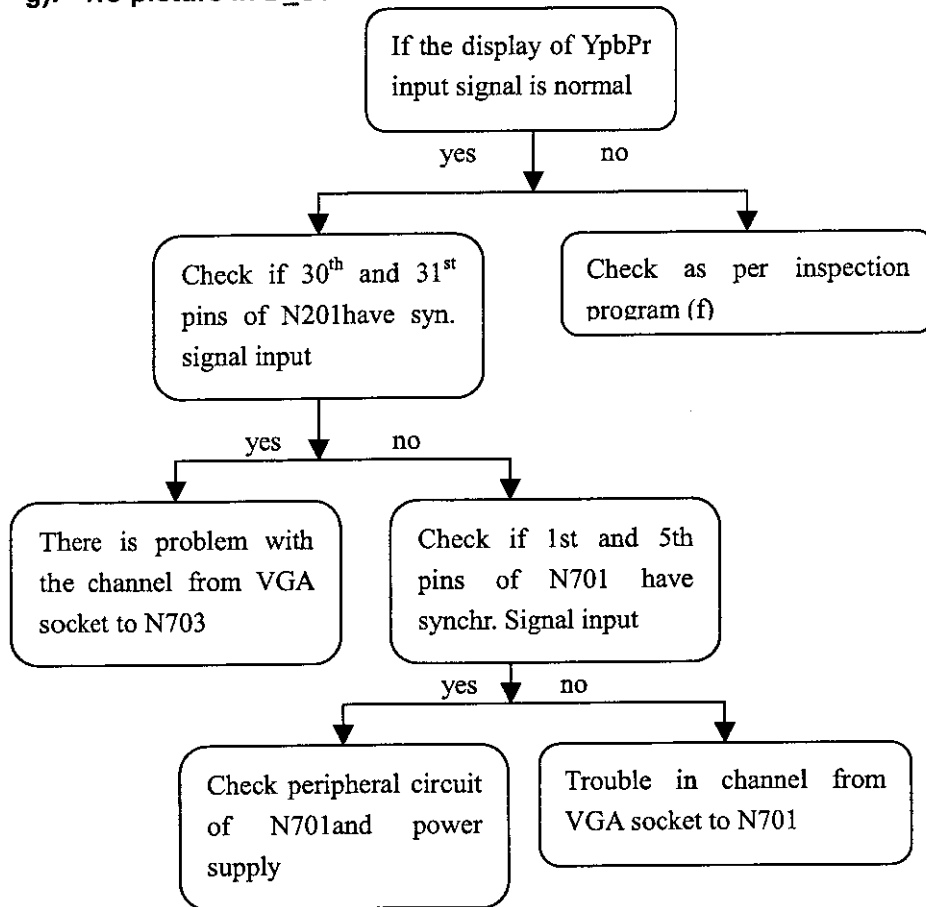




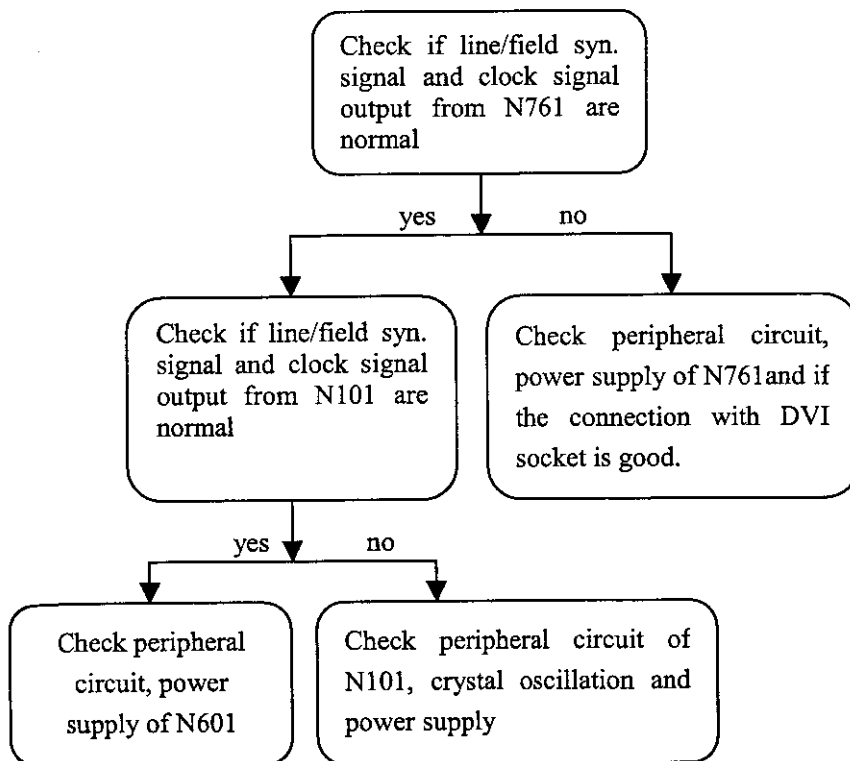
**f).No picture in YPbPr/YcbCr channel**



**g). No picture in D\_Sub channel**



**h). No picture in DVI channel**



**Note:** To enable DVI picture to be displayed normally, especially to be connectable with the computer display card, the top priority is to ensure that N762(DDC chip of DVI port) are well flash written. When picture signal is with HDCP,it is also necessary to ensure that the KEY in HDCP of N760 are well flash written.

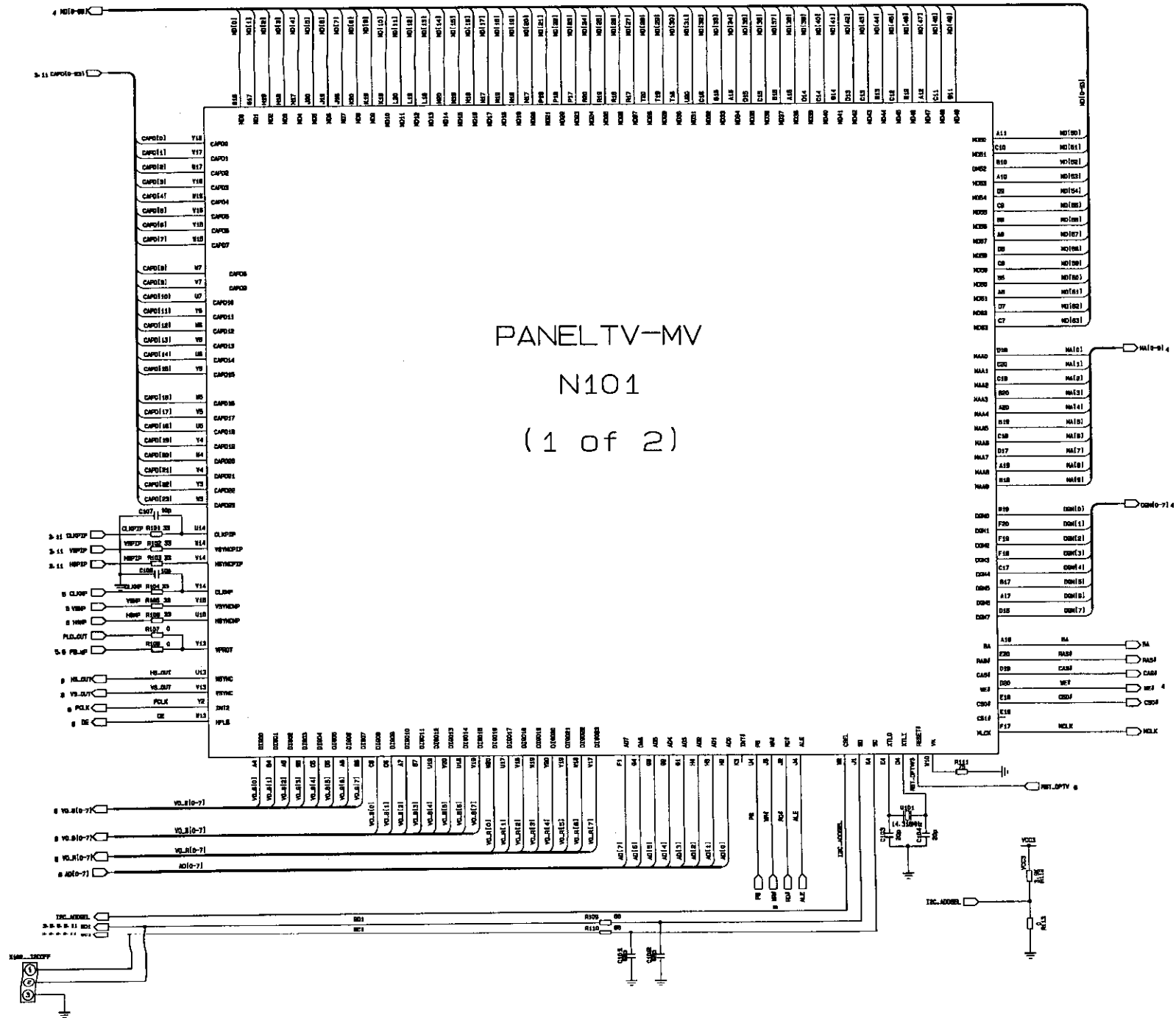
## **7. Abnormal picture on screen**

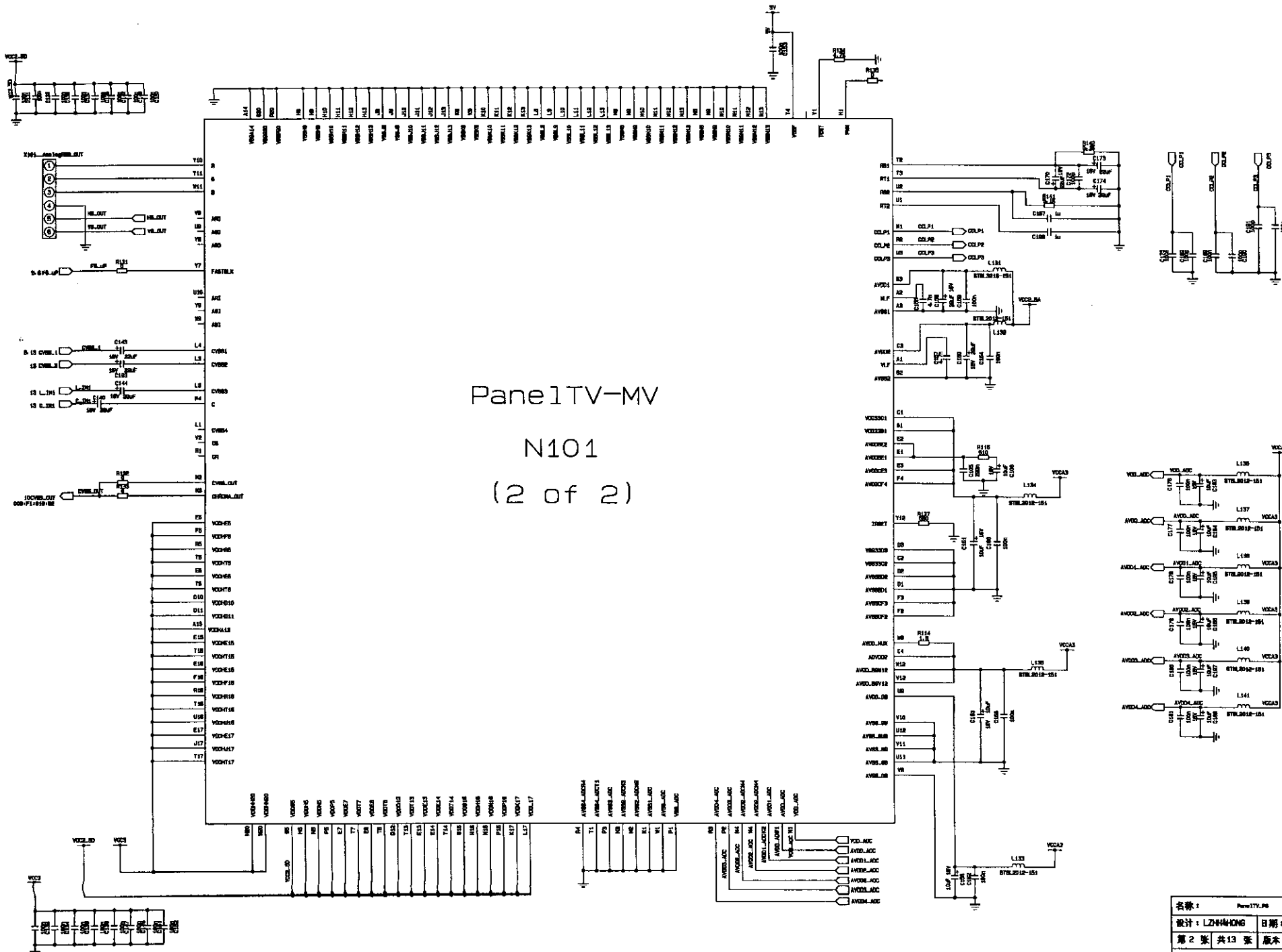
- 1). A certain LVDS differential line of X601 LVDS is abnormal against(RX0+/-,RX1+/-,RX2+/-,RX3+/-), which may result in under coloring or color speckle;
- 2). R602~R607 resistor array in trouble,which may result in the loss of corresponding color in corresponding gray degree for the picture of all channels;
- 3). R205~R210 resistor array in trouble,which may result in the loss of corresponding color in corresponding gray degree for the picture of YPbPr/VGA channel;
- 4). R777~R782 resistor array in trouble,which may result in the loss of corresponding color in corresponding gray degree for the picture of DVI channel;
- 5). R414 and R415 resistor array in trouble,which may result in abnormality in the picture of SCART and TV sub screen.

# PANELTV-MV

## N101

(1 of 2)

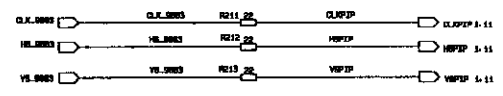
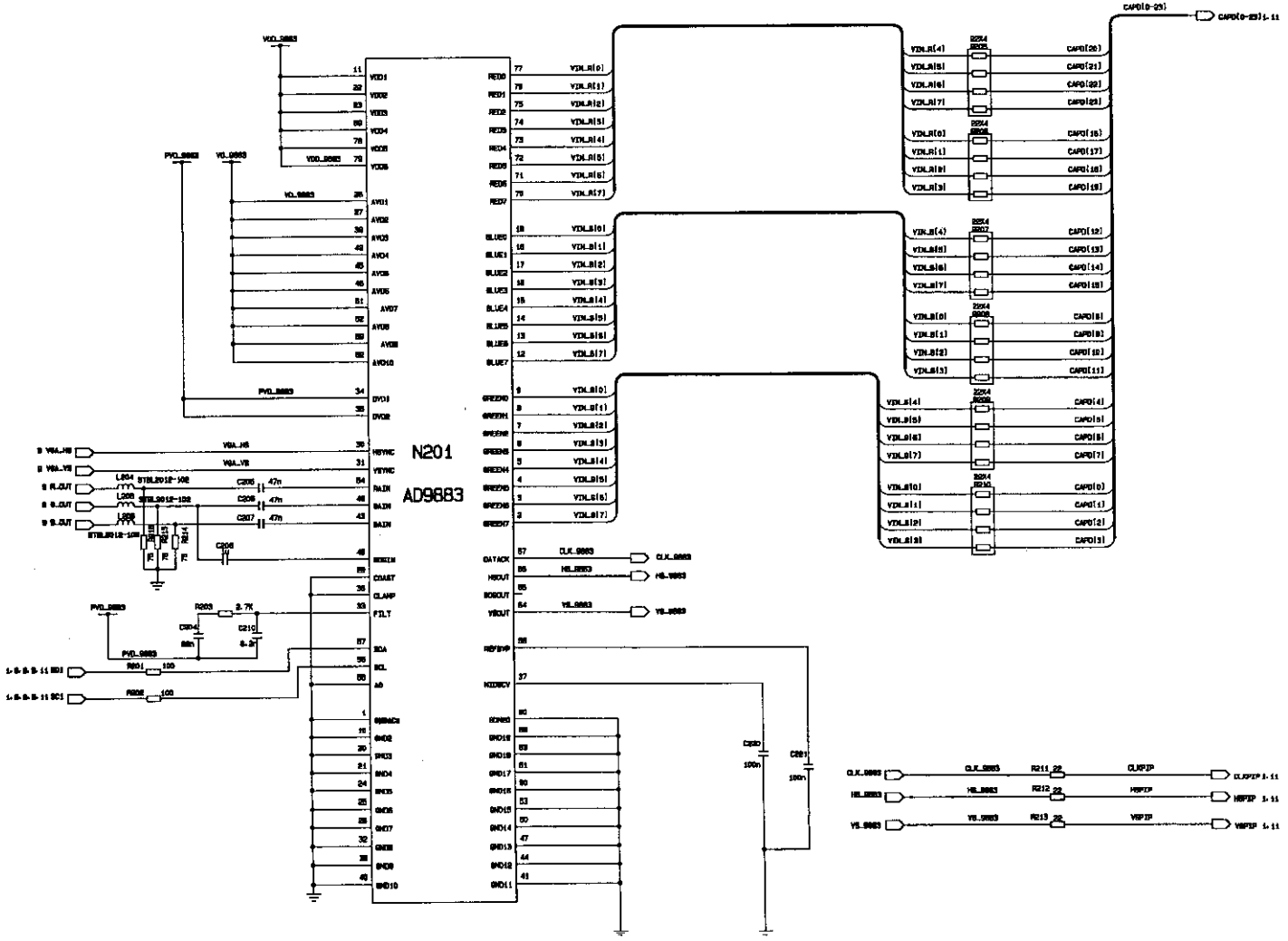
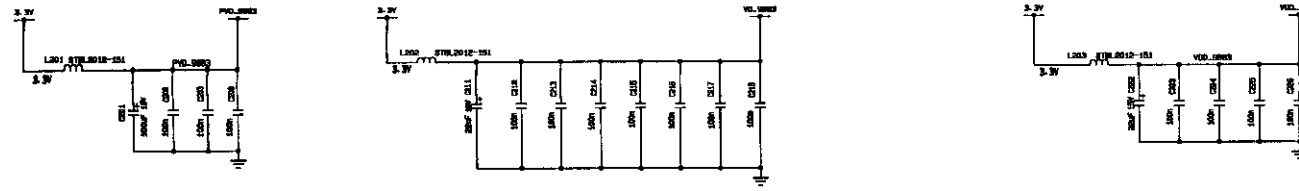


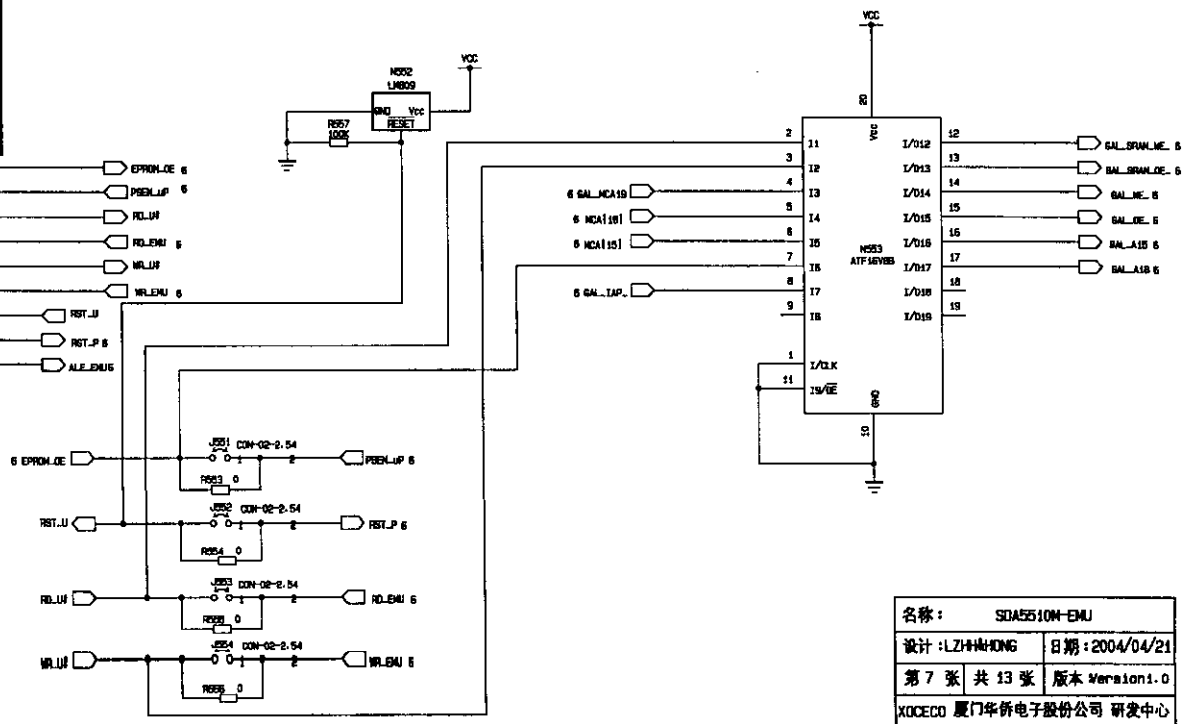
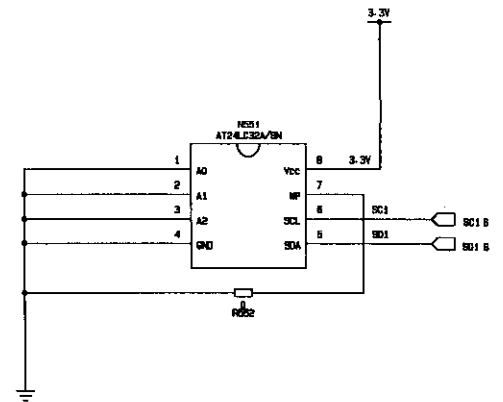
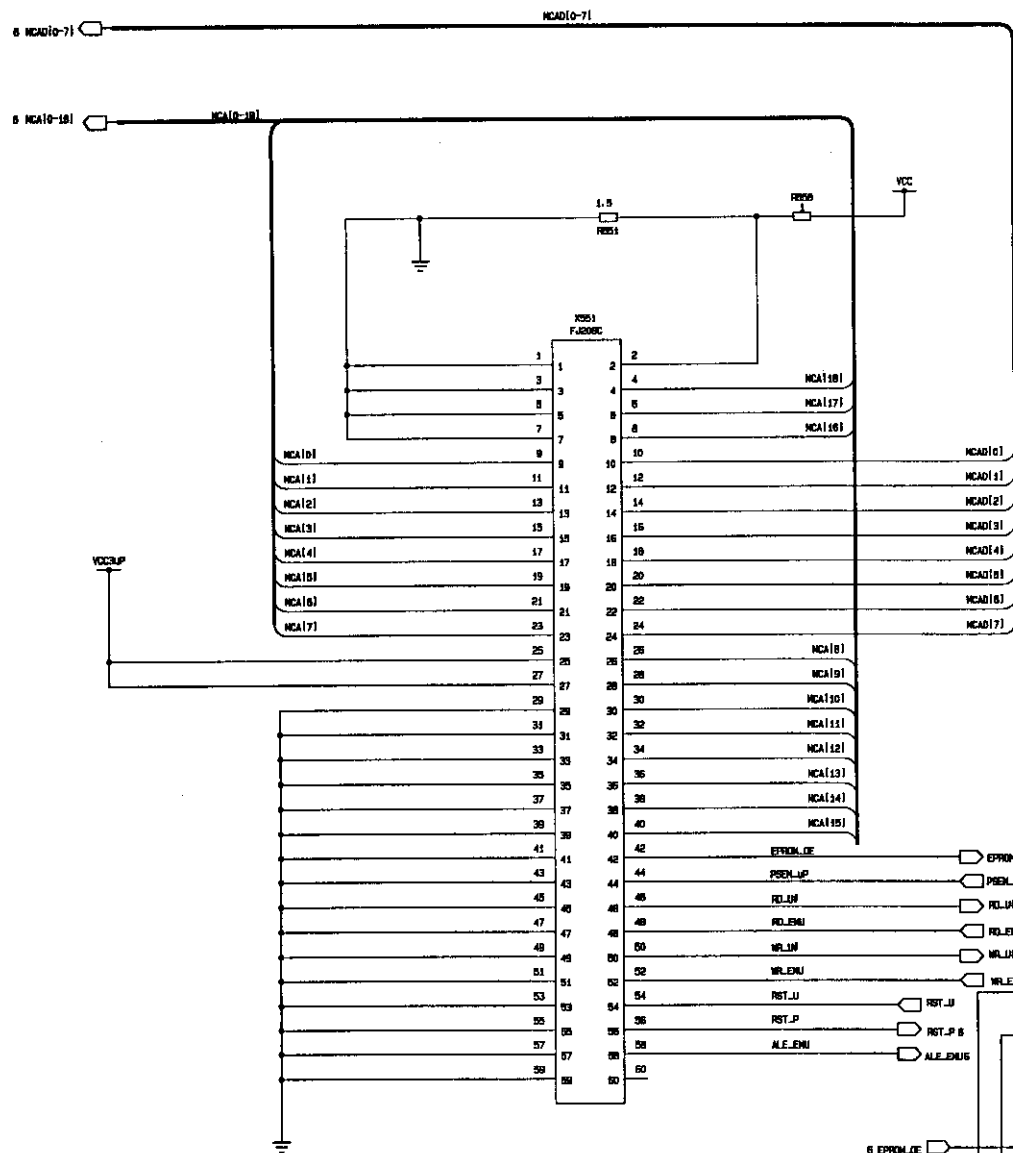


PanelTV-MV  
N101  
(2 of 2)

名称:	PanelTV-MV
设计:	LZHHKONG
日期:	2004/04/21
第 2 张 共 13 张	版本: Version 1.0
XDC000 厦门华纳电子股份有限公司 研发中心	

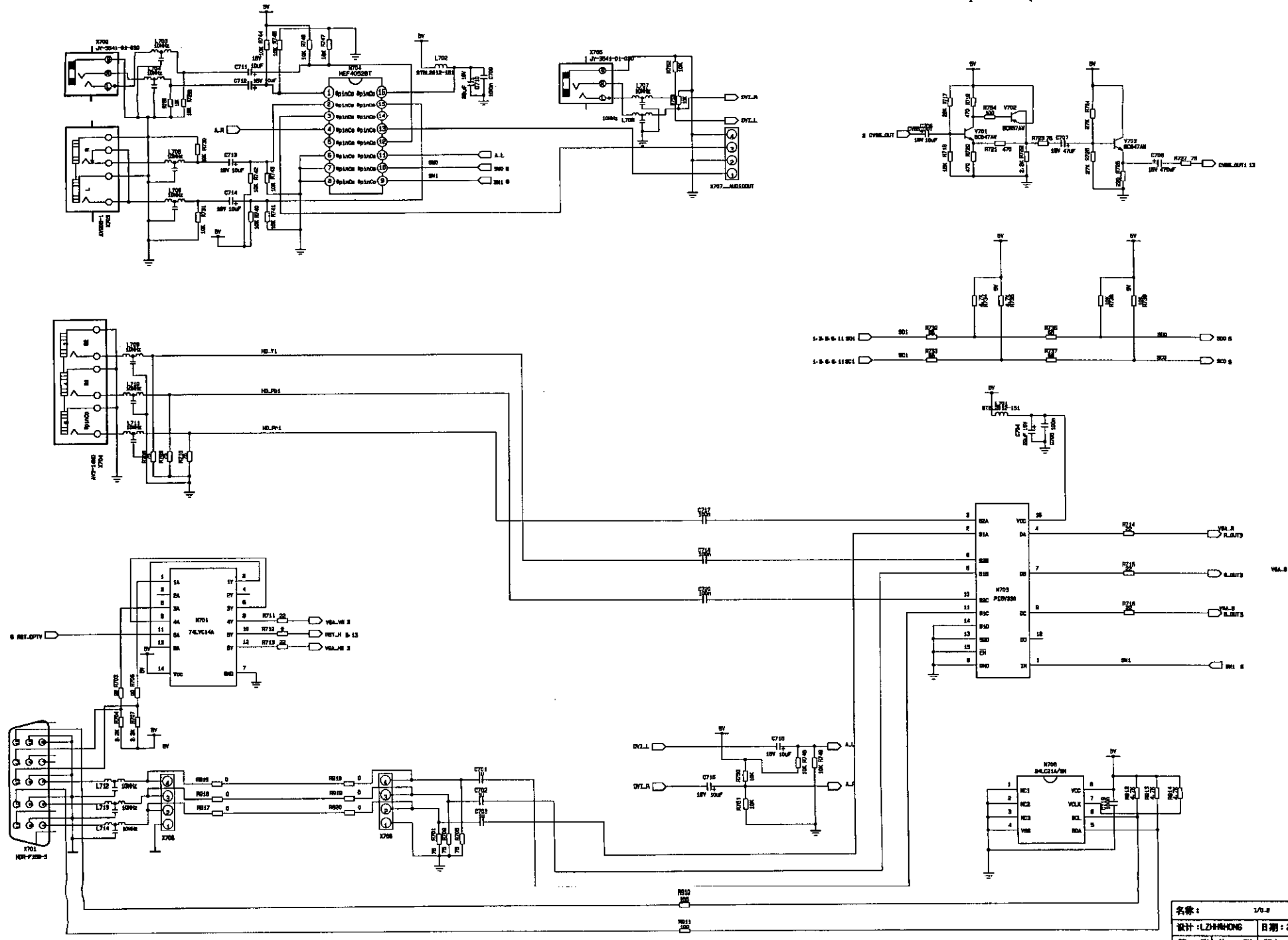




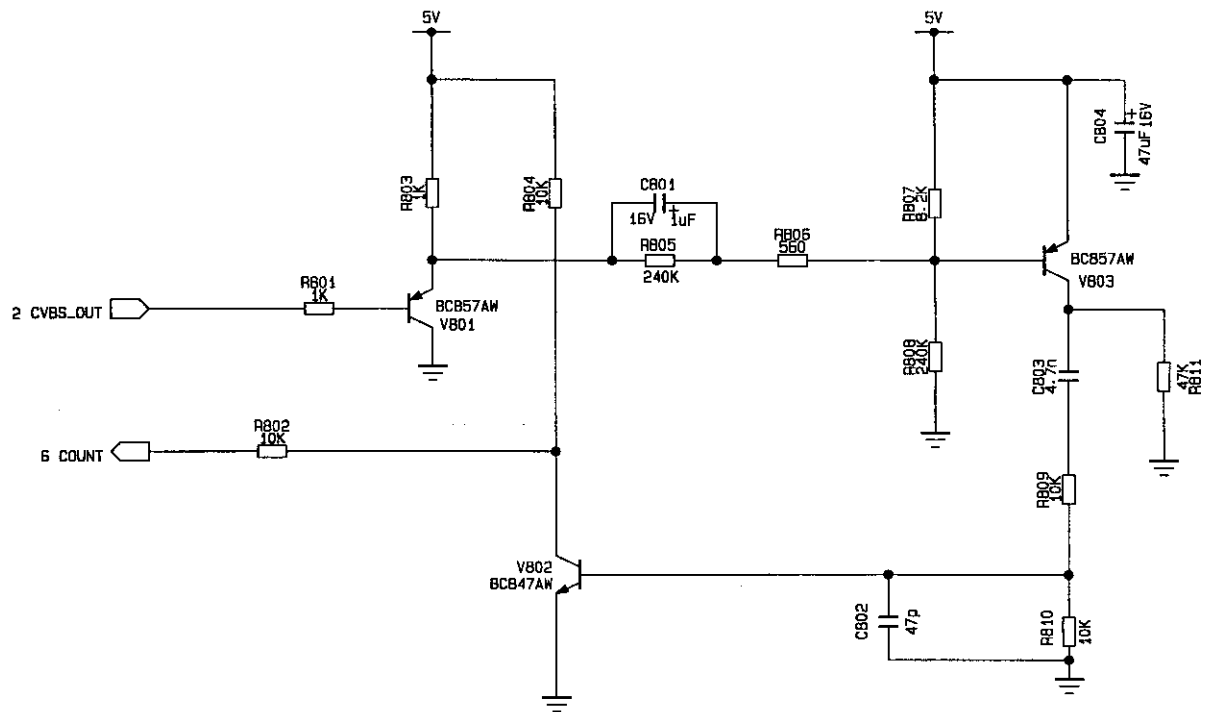


名称: SDA5510M-EMU	
设计: LZHMHONG	日期: 2004/04/21
第 7 张 共 13 张	版本: version1.0
XOCECO 厦门华侨电子股份有限公司 研发中心	

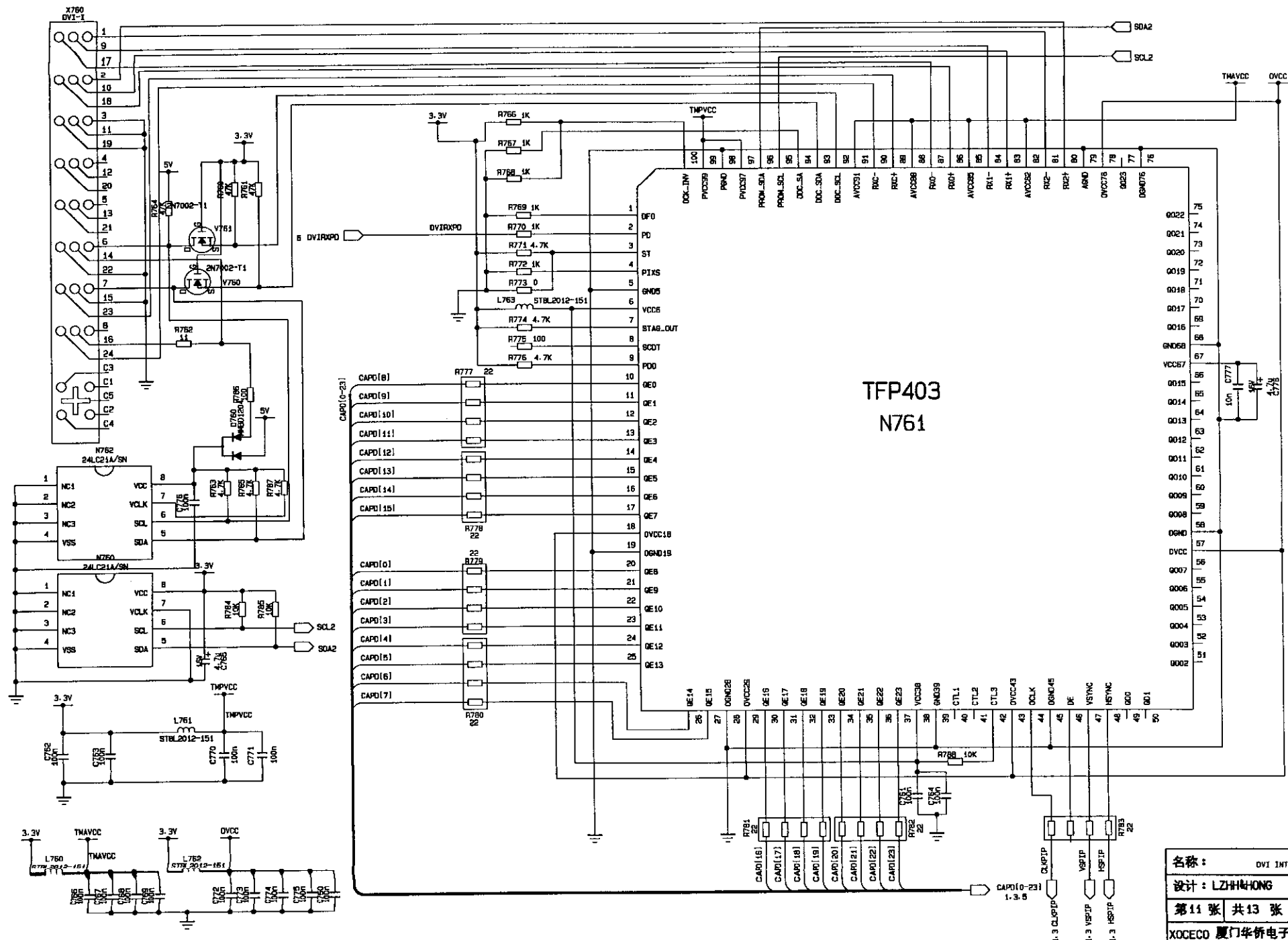




名称: 1/0-8  
 设计: LZH/KONG 日期: 2004/04/21  
 第 9 张 共 13 张 版本: Version 1.0  
 XDCED 厦门华新电子股份有限公司 研发中心

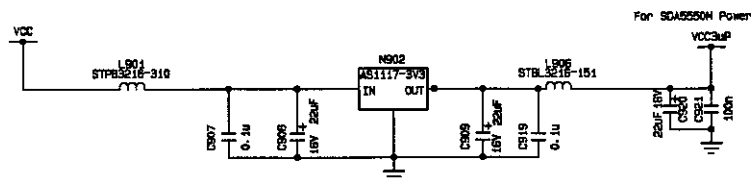
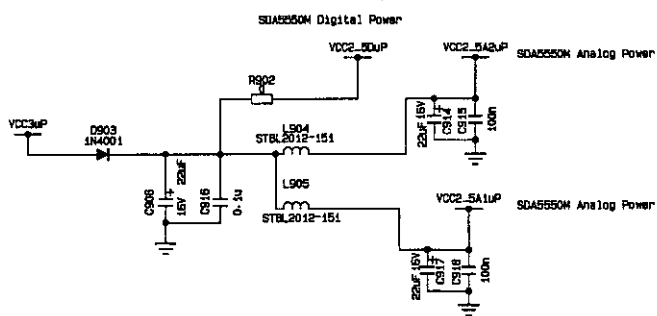
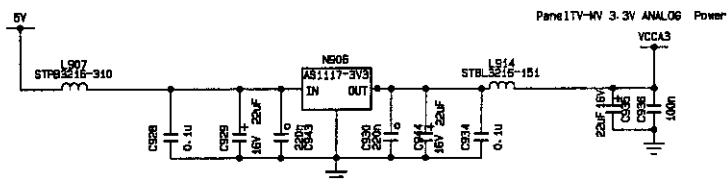
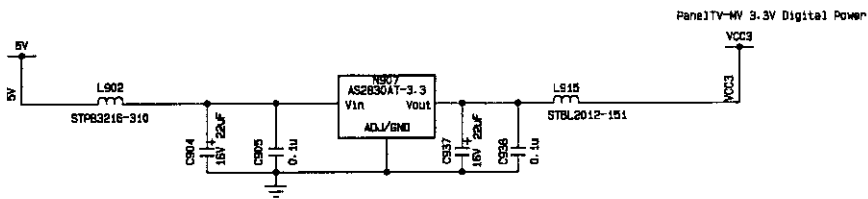
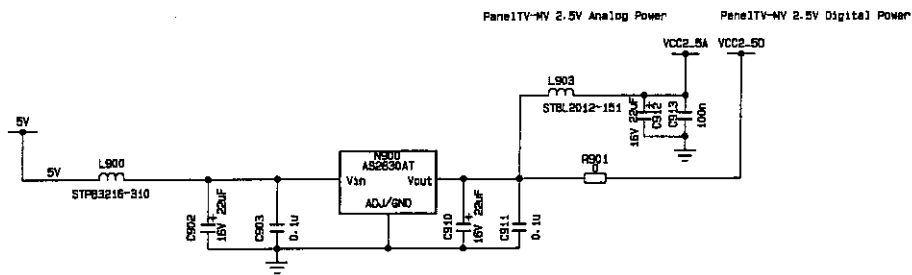


名称: SIGNAL_DETECT		
设计: LZHHHONG		日期: 2004/04/21
第10张	共13张	版本: Version1.0
XOCECO 厦门华侨电子股份公司 研发中心		

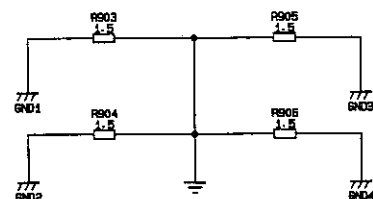
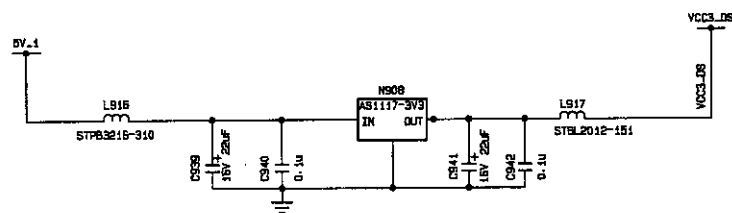
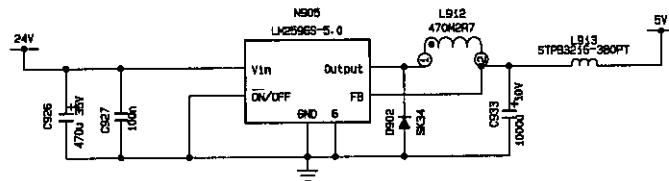
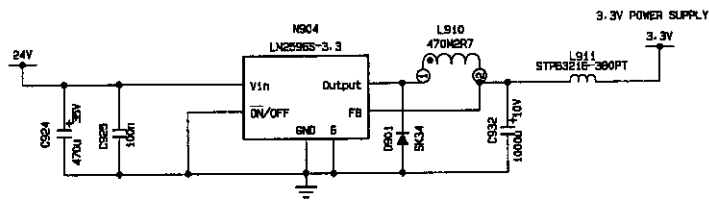
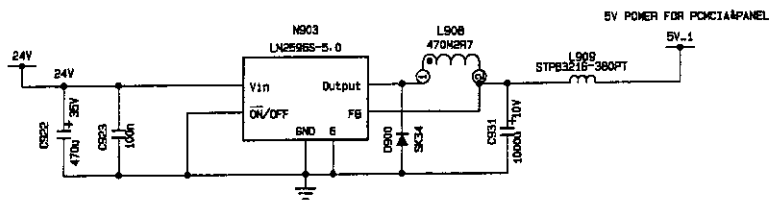


TFP403  
N761

名称: DVI INTERFACE	
设计: LZHHHONG	日期: 2004/04/21
第 11 张	共 13 张 版本: Version1.0
XOCECO 厦门华侨电子股份有限公司 研发中心	

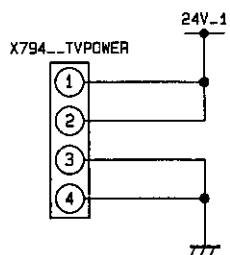
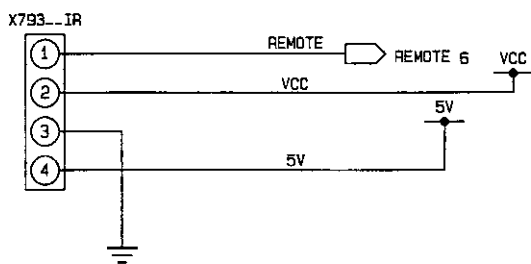
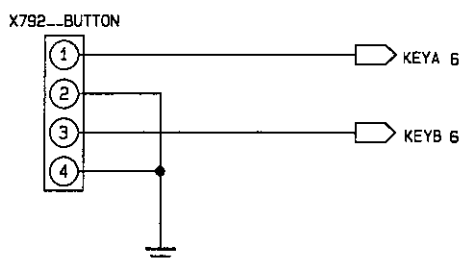
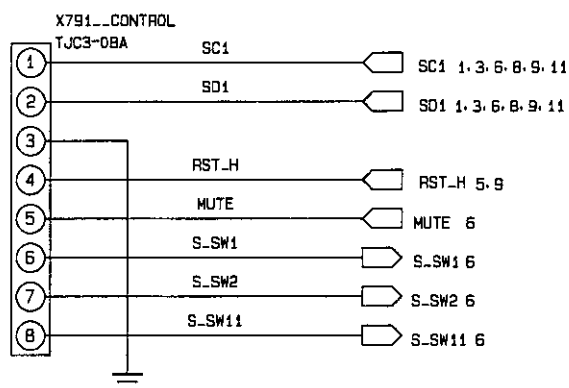
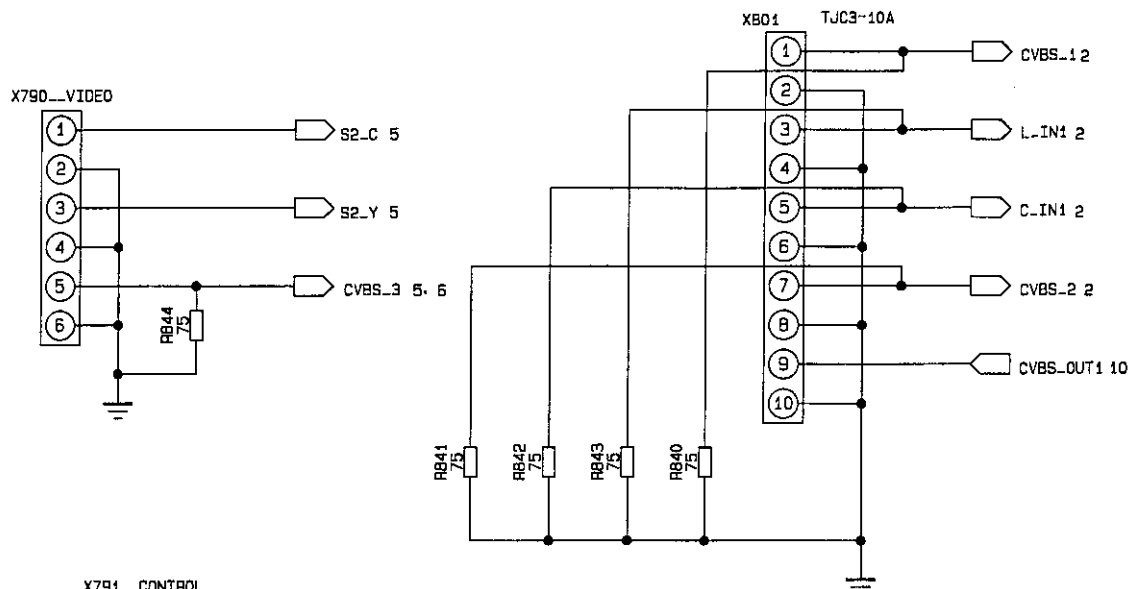


名称:	POWER		
设计:	LZHHHONG	日期:	2004/04/21
第12张	共13张	版本:	Version1.0
XOCECO 厦门华侨电子股份有限公司 研发中心			

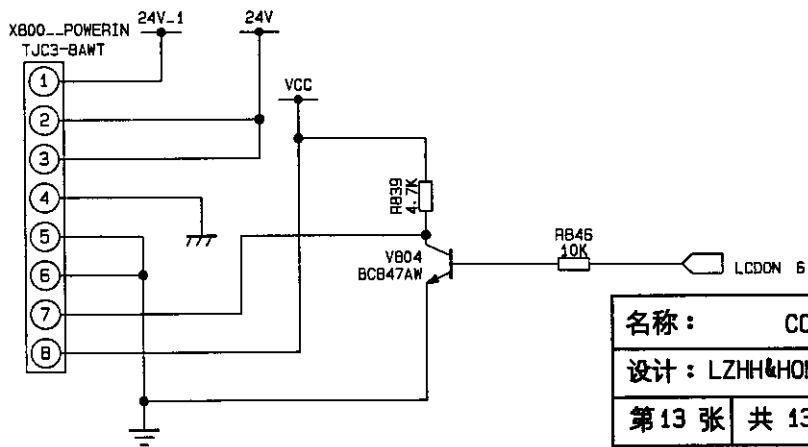
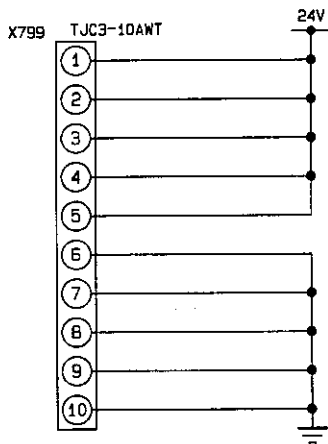
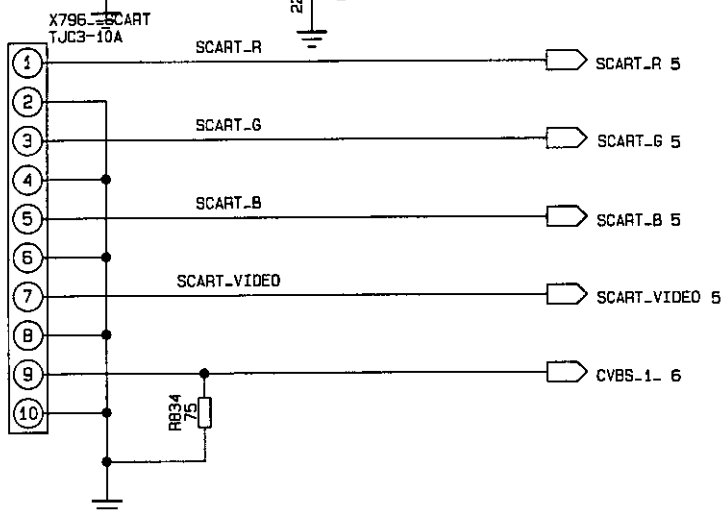
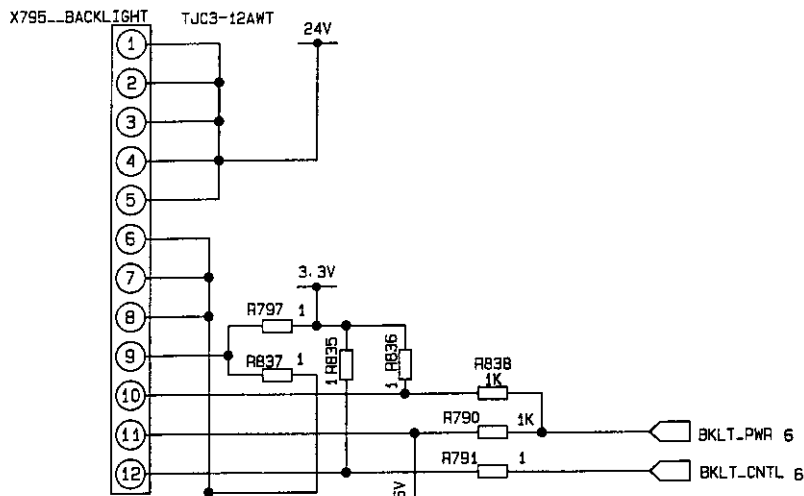


名称:	POWER
设计: LZH&HONG	日期: 2004/04/21
第12张   共13张	版本: Version1-0
XOCECO 厦门华侨电子股份有限公司 研发中心	





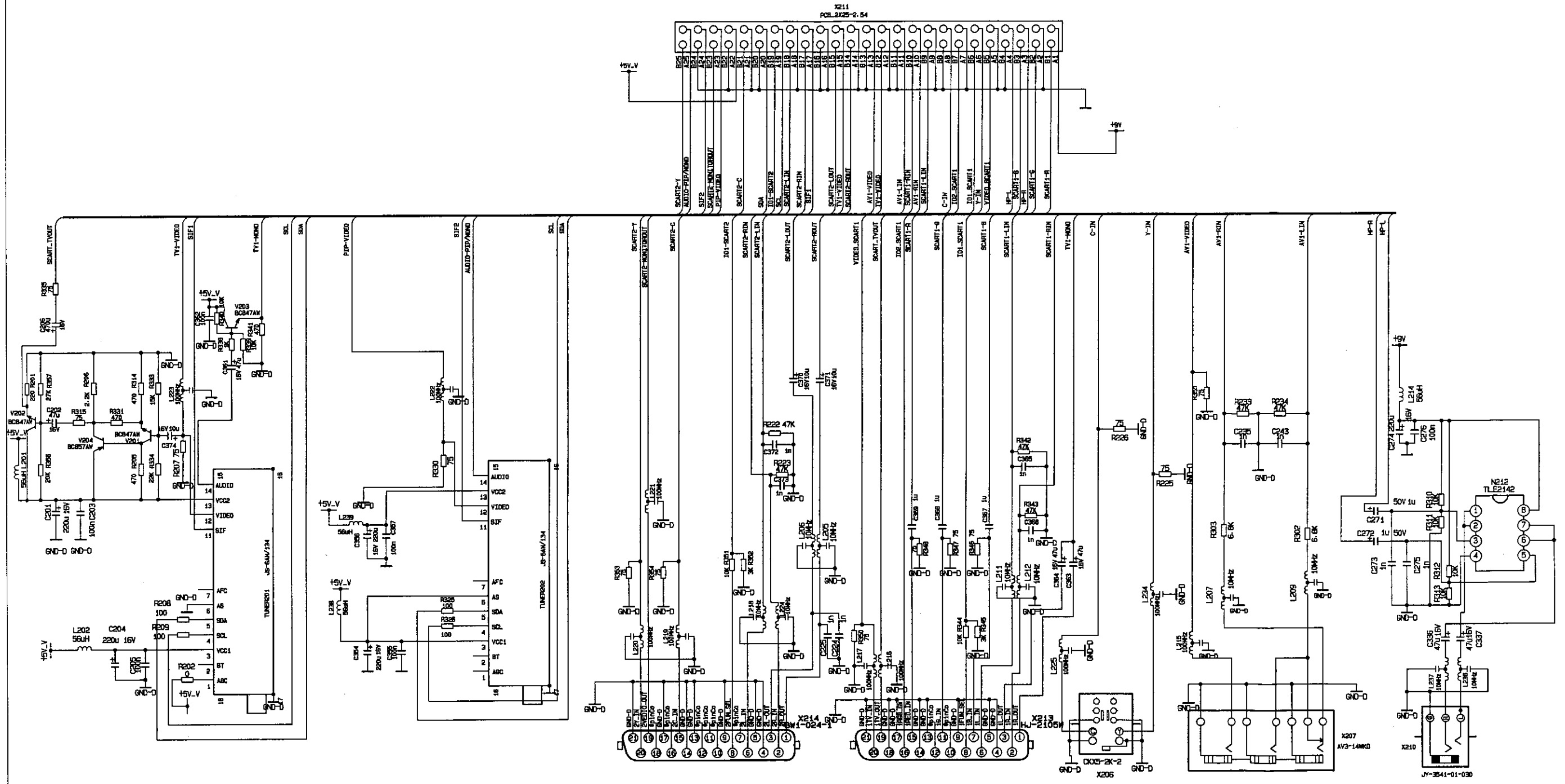
名称: CONNECTOR	
设计: LZHH&HONG	日期: 2004/04/21
第13张	共13张 版本: Version1.0
XOCECO 厦门华侨电子股份公司 研发中心	



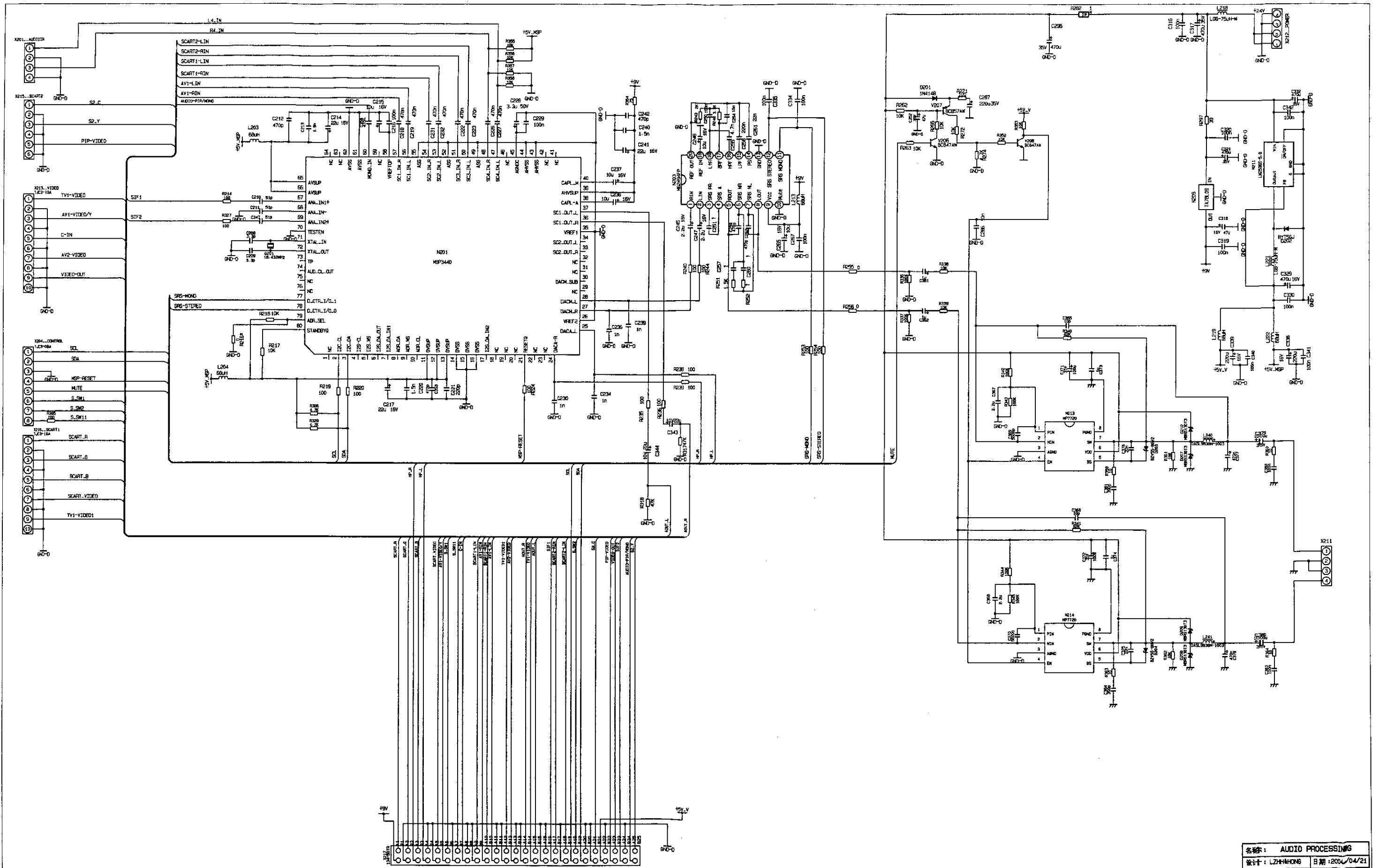
名称: CONNECTOR	
设计: LZHH&HONG	日期: 2004/04/21
第13张 共13张	版本: Version1.0
XOCECO 厦门华侨电子股份公司 研发中心	

## Spare Parts List

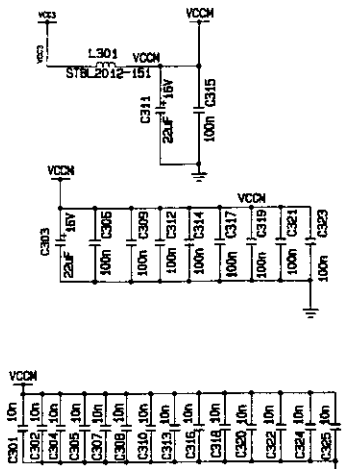
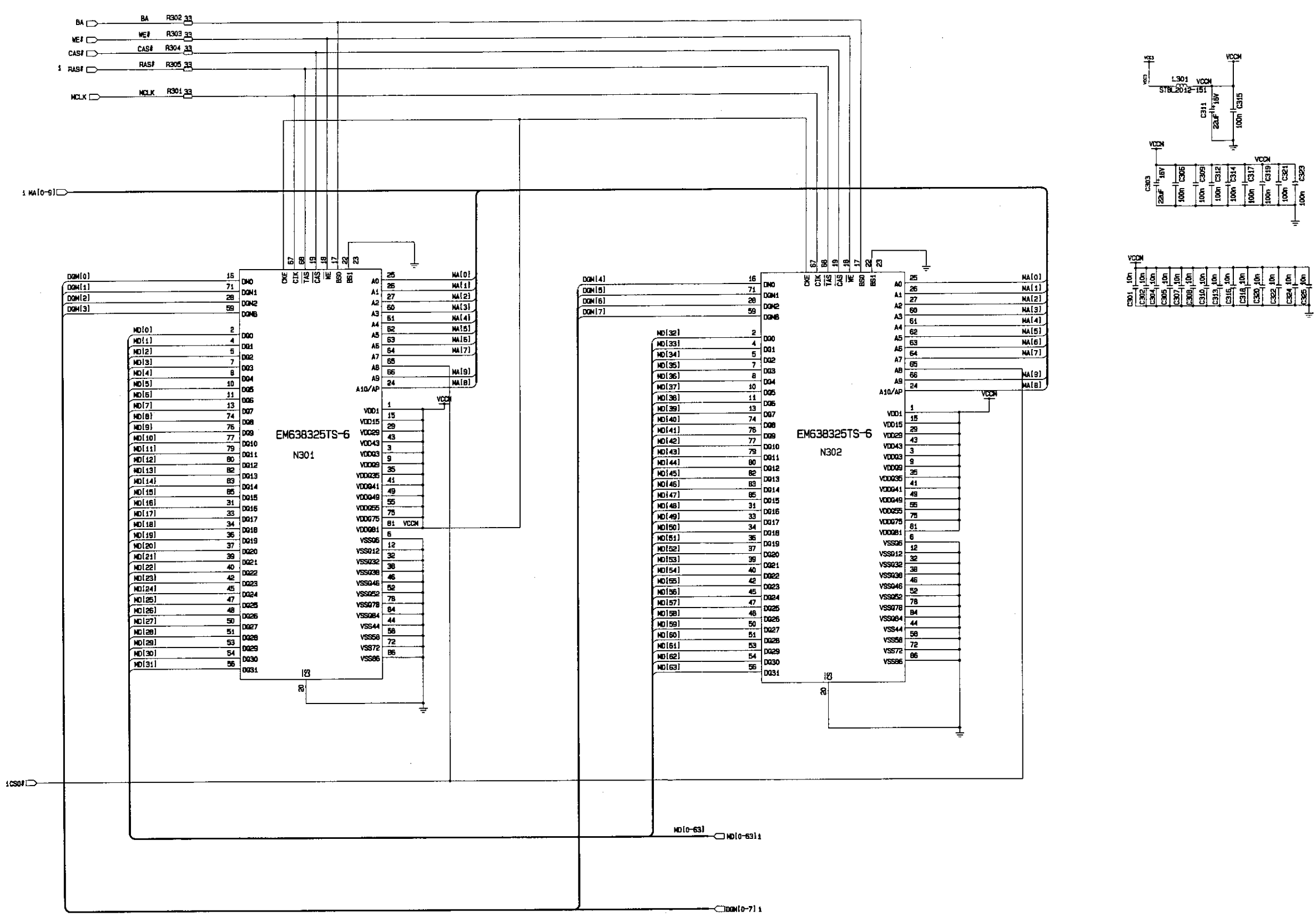
ID	Part number	Description
1	523-L27M6-02	FRONT CABINET ASS'Y
2	523-L27M6-03	BACK CABINET ASS'Y
3	667-L27M6-20A	POWER BOARD ASS'Y
4	667-L27M7S-40	PROCESSING BOARD
5	667-L27M7S-69/15	SOUND BOARD
6	535-L27M6-11	STAND
7	535-L27M6-13	CONNECT LINE ASS'Y
8	535-L27M6-14	SPEAKER ASS'Y
9	301-UL27M6-37R	REMOTE CONTROL
10	886-31492-19	PACKING BOX
13	880-10634-B1	FRONT NAMEPLATE
14	894-70030-11	WASHER
15	870-10207-00	BRACKET
29	863-81117-00	POLY FOAM
30	863-81118-00	POLY FOAM
31	863-81119-00	POLY FOAM
32	863-81120-00	POLY FOAM
33	535-L27M6-15	POWER SOCKET ASS'Y
34	604-L27M6S9-04	USERMANUAL
35	142-21311-00	RUBBER TAP
36	142-21260-00	RUBBER TAP
37	887-20047-01	ACCESSORY BAG
38	142-22318-00	RUBBER TAP
40	808-20324-202	ACRYL PANEL
41	808-10689-AF0A	COVER PLATE
42	808-10687-AF0A	COVER PLATE
43	808-10688-AF0	COVER PLATE

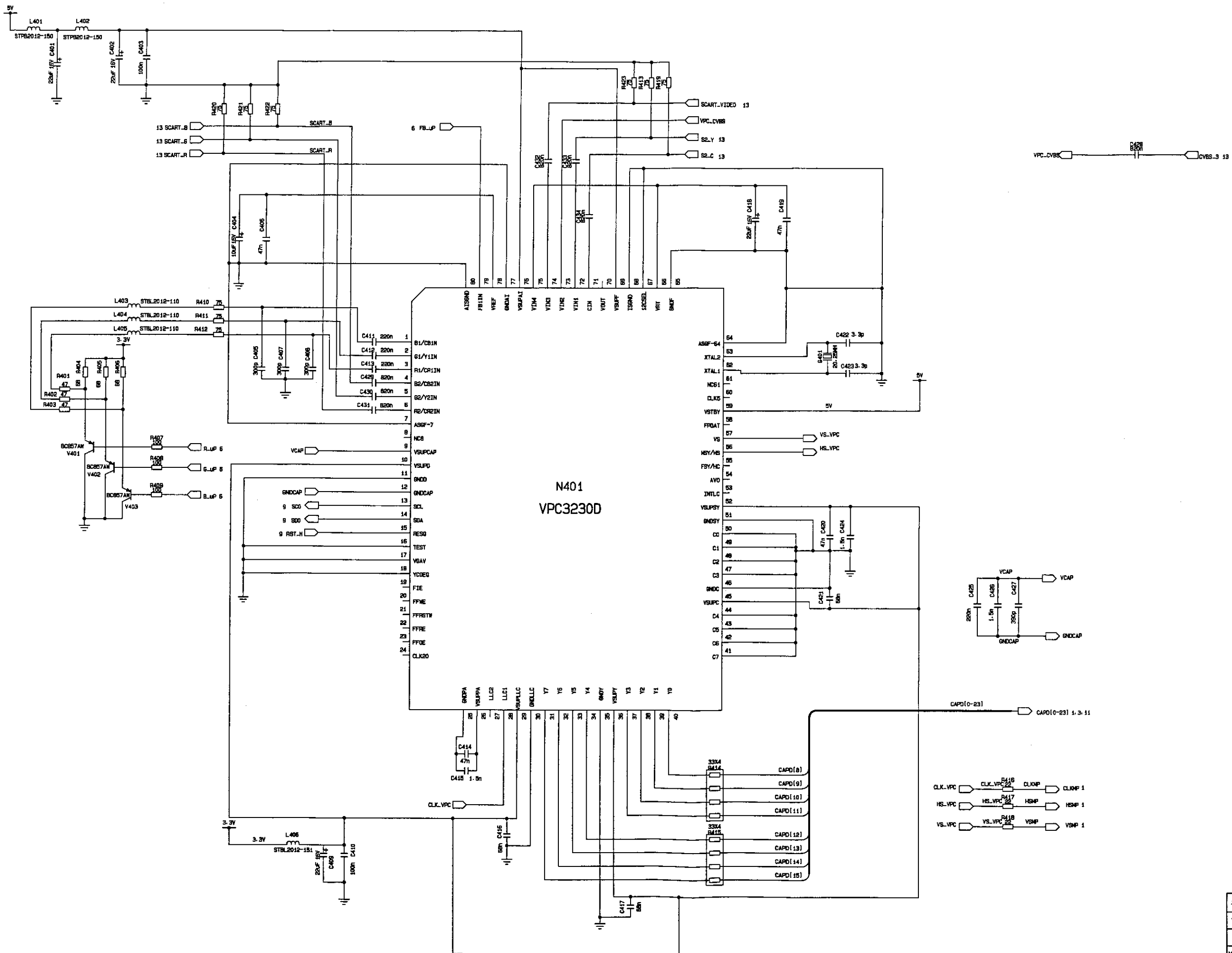


名称: TUNER&VEDIO PROCESSING  
 设计: LZHHHONG 日期: 2004/04/28  
 第 1 张 共 1 张 版本: Version: 1.0  
 XOCOCO 厦门华侨电子股份公司 研发中心

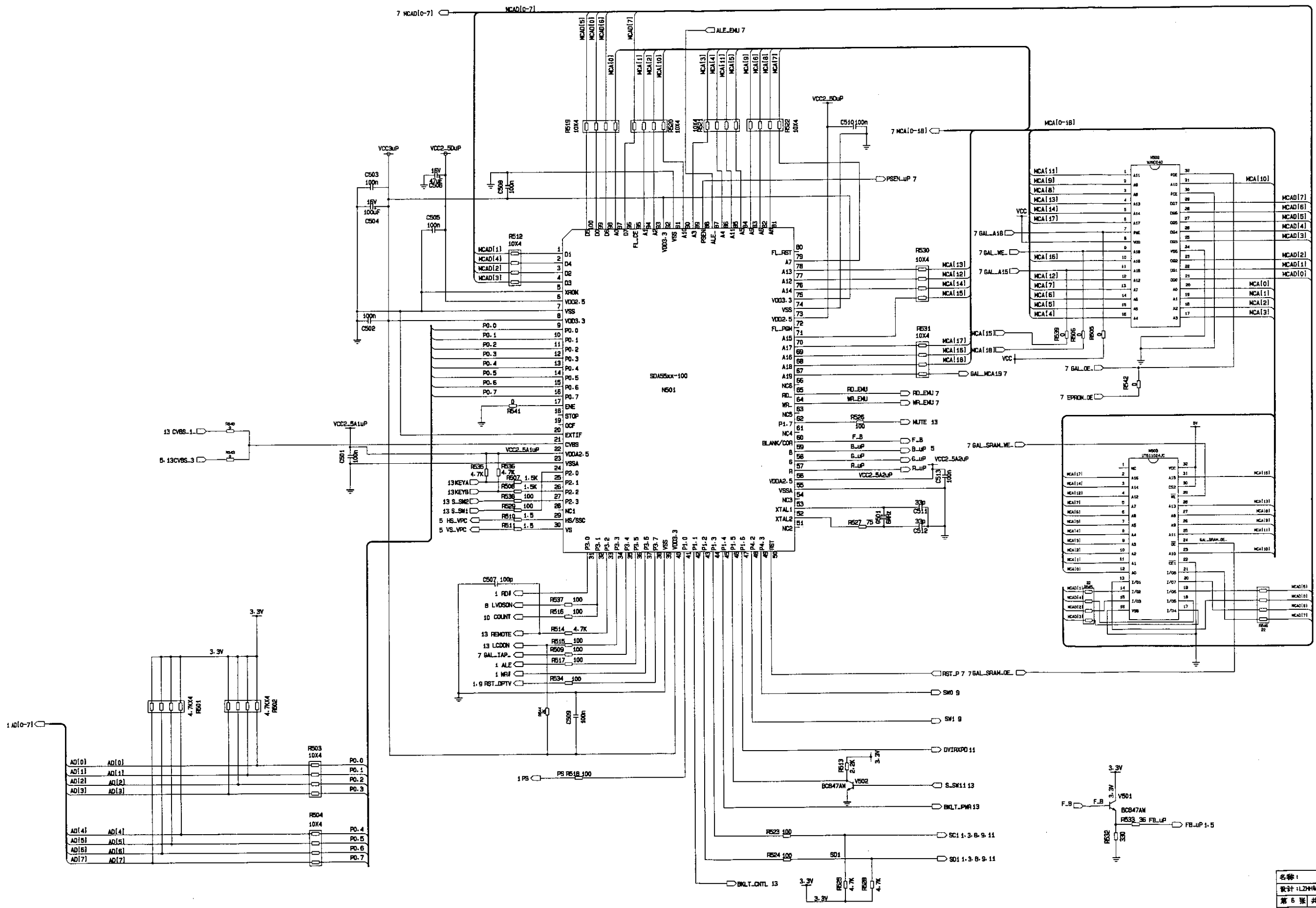


名称: AUDIO PROCESSING  
 设计: LZHHONG 日期: 2004/04/21  
 第 1 页 共 1 页 版本: Vers 1.0n1.0  
 XOCEDD 厦门华侨电子股份有限公司 研发中心





名称:	VPC3230
设计: LZHHHONG	日期: 2004/04/21
第 5 张 共 13 张	版本: Version 1.0
XOCECO 厦门华新电子股份有限公司 研发中心	



名称: SDA5550N  
 设计: LZHHHONG 日期: 2004/04/21  
 第 5 页 共 13 页 版本: Vers 1.0  
 XOCEDD 厦门华新电子股份有限公司 研发中心