

AKAI

MODEL **VS-75EOG**

MODEL **VS-A77EOG**

SCHEMATIC DIAGRAM AND PC BOARDS

TABLE OF CONTENTS

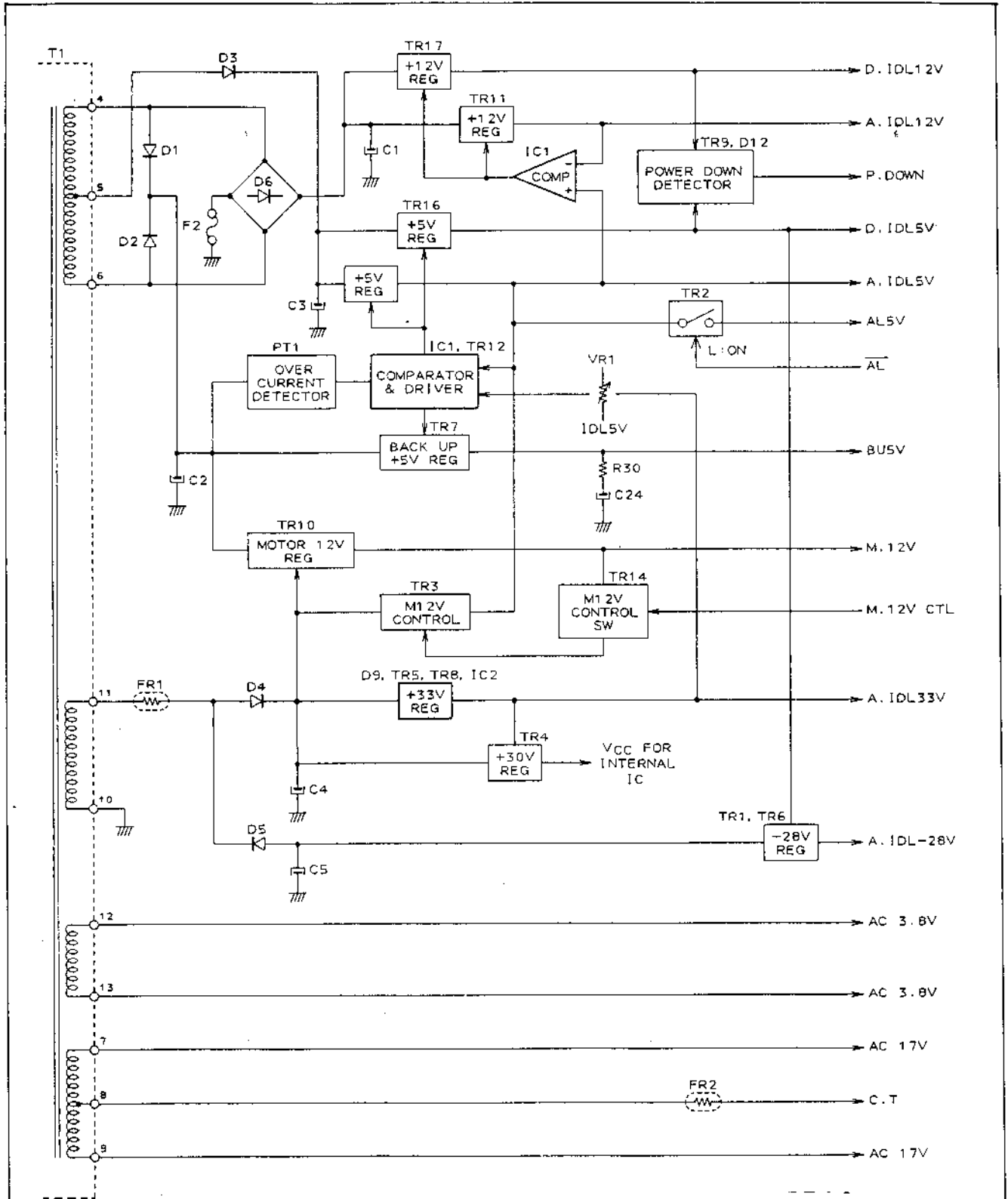
I. BLOCK DIAGRAM

1. POWER SUPPLY	1
2. OPERATION AND SYS-CON.....	2
3. SERVO.....	3
4. AUDIO.....	4
5. VIDEO.....	5

II. SCHEMATIC DIAGRAM AND PC BOARD

1. CONNECTION.....	6
2. MOTOR.....	7
3. AUDIO/VIDEO (VIDEO BLOCK).....	8
4. AUDIO/VIDEO (AUDIO BLOCK).....	10
5. SERVO/SYS-CON.....	12
6. RF.....	14
7. OPERATION (A),(B),(C) AND VOLUME.....	17
8. VS-A77EOG SURROUND.....	18
9. VS-A77EOG MAIN AMP.....	20
10. POWER SUPPLY	22
11. PRE AMP	24
12. CHROMA.....	26
13. VS-A77EOG VPS/T-CTL.....	29
14. VS-75EOG VPT	30
15. RC-V75/V78 REMOTE CONTROL UNIT.....	33

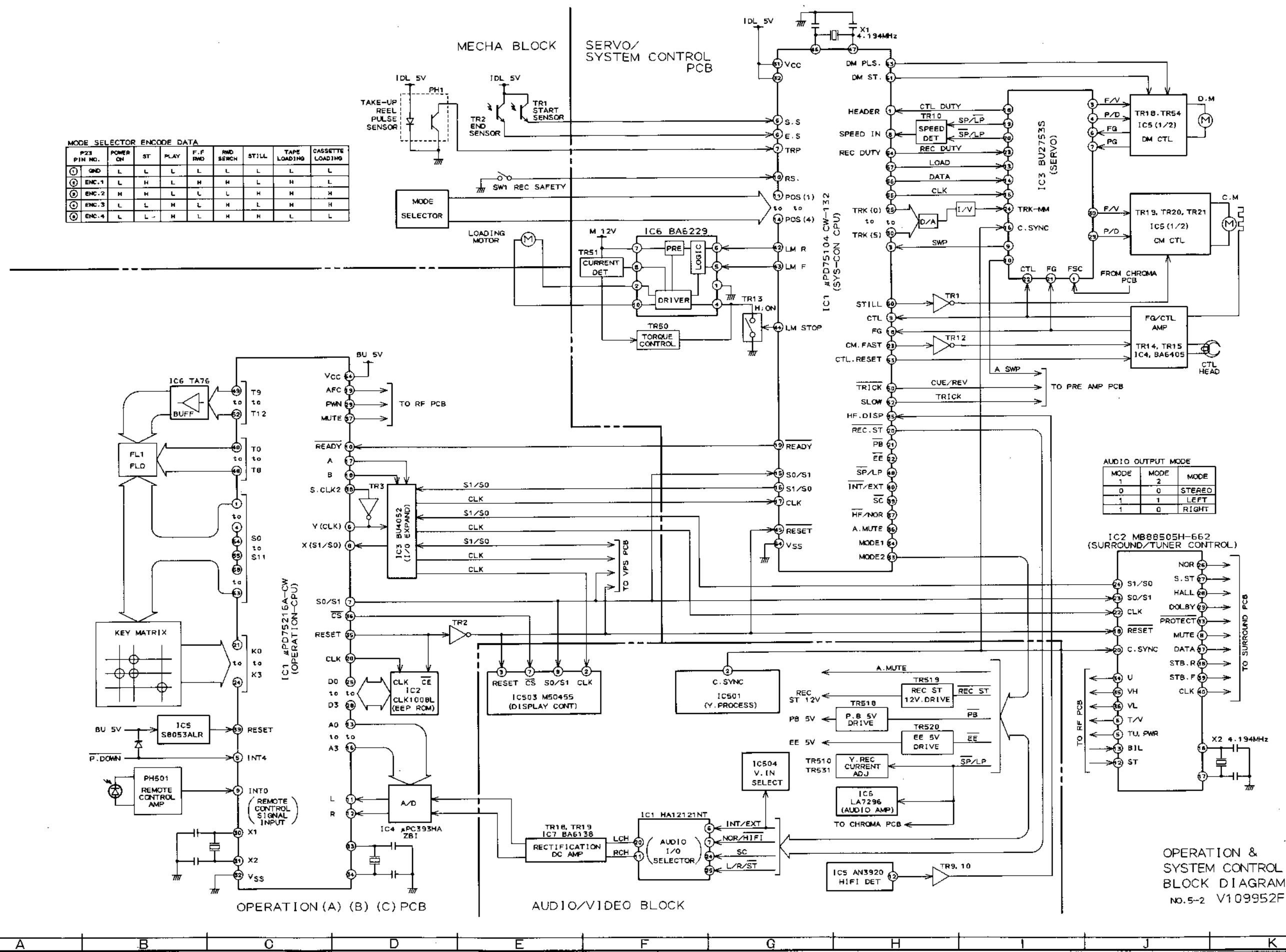
III. SCHEMATIC DIAGRAM OF ICs..... 34



POWER SUPPLY
 BLOCK DIAGRAM
 NO.5-1 V108614F

MODE SELECTOR ENCODE DATA

P23 PIN NO.	POWER ON	ST	PLAY	F.F RWD	RND SERCH	STILL	TAPE LOADING	CASSETTE LOADING
① GND	L	L	L	L	L	L	L	L
② ENC.1	L	H	L	L	H	L	H	L
③ ENC.2	H	H	L	L	L	H	H	H
④ ENC.3	L	L	H	L	H	L	H	H
⑤ ENC.4	L	L	H	L	H	H	L	L



AUDIO OUTPUT MODE

MODE 1	MODE 2	MODE
0	0	STEREO
1	1	LEFT
1	0	RIGHT

OPERATION & SYSTEM CONTROL BLOCK DIAGRAM NO.5-2 V109952F

A B C D E F

1

2

3

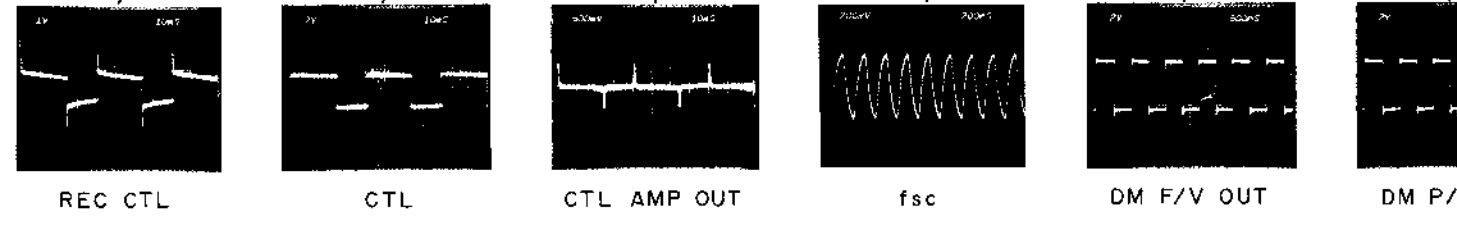
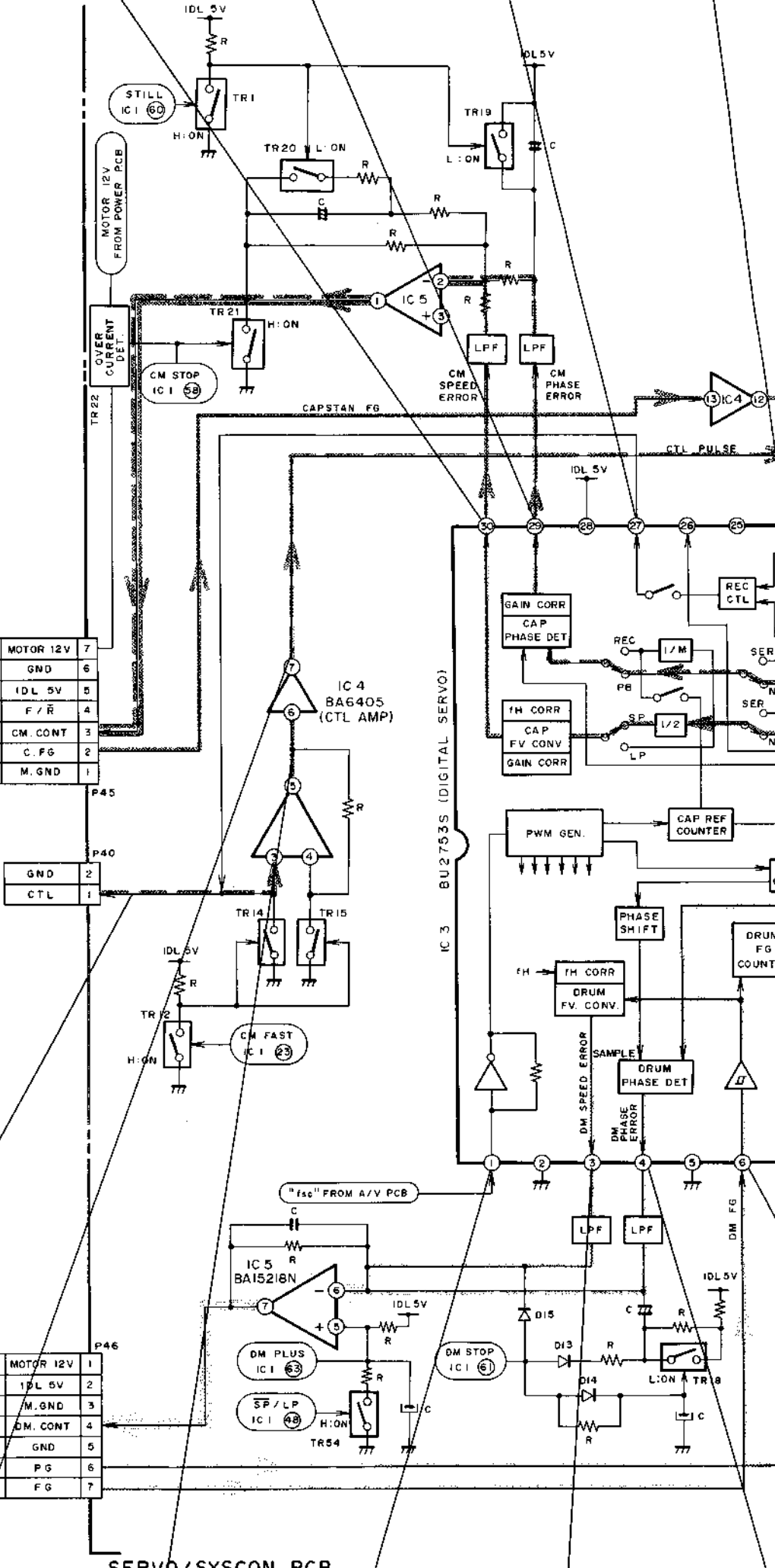
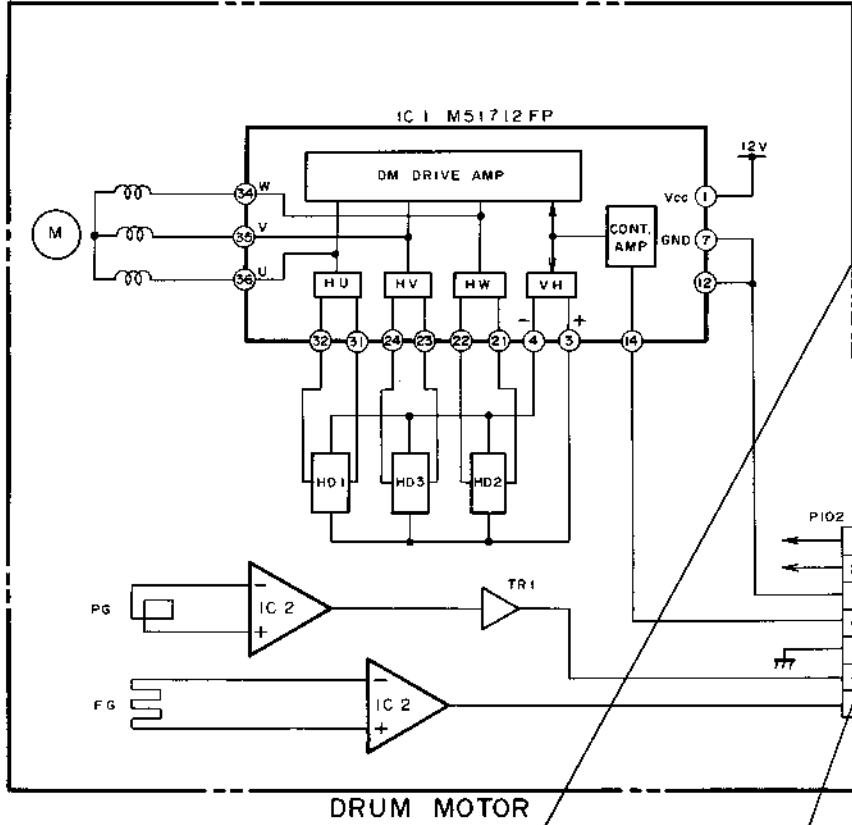
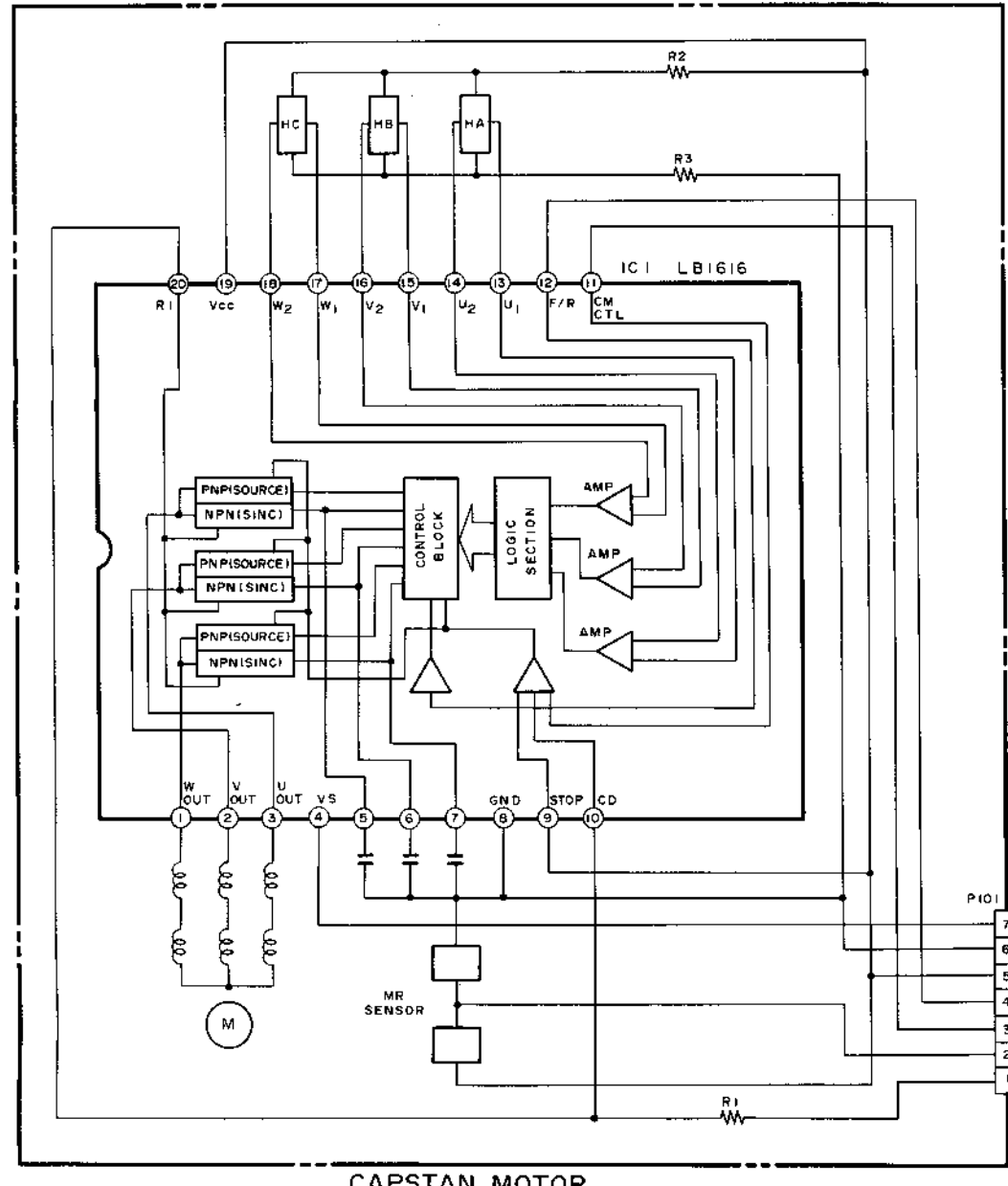
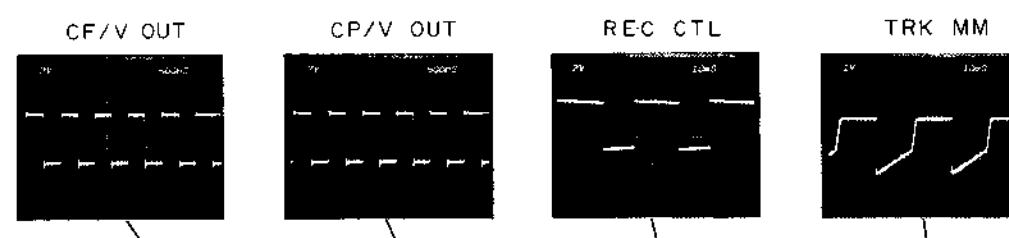
4

5

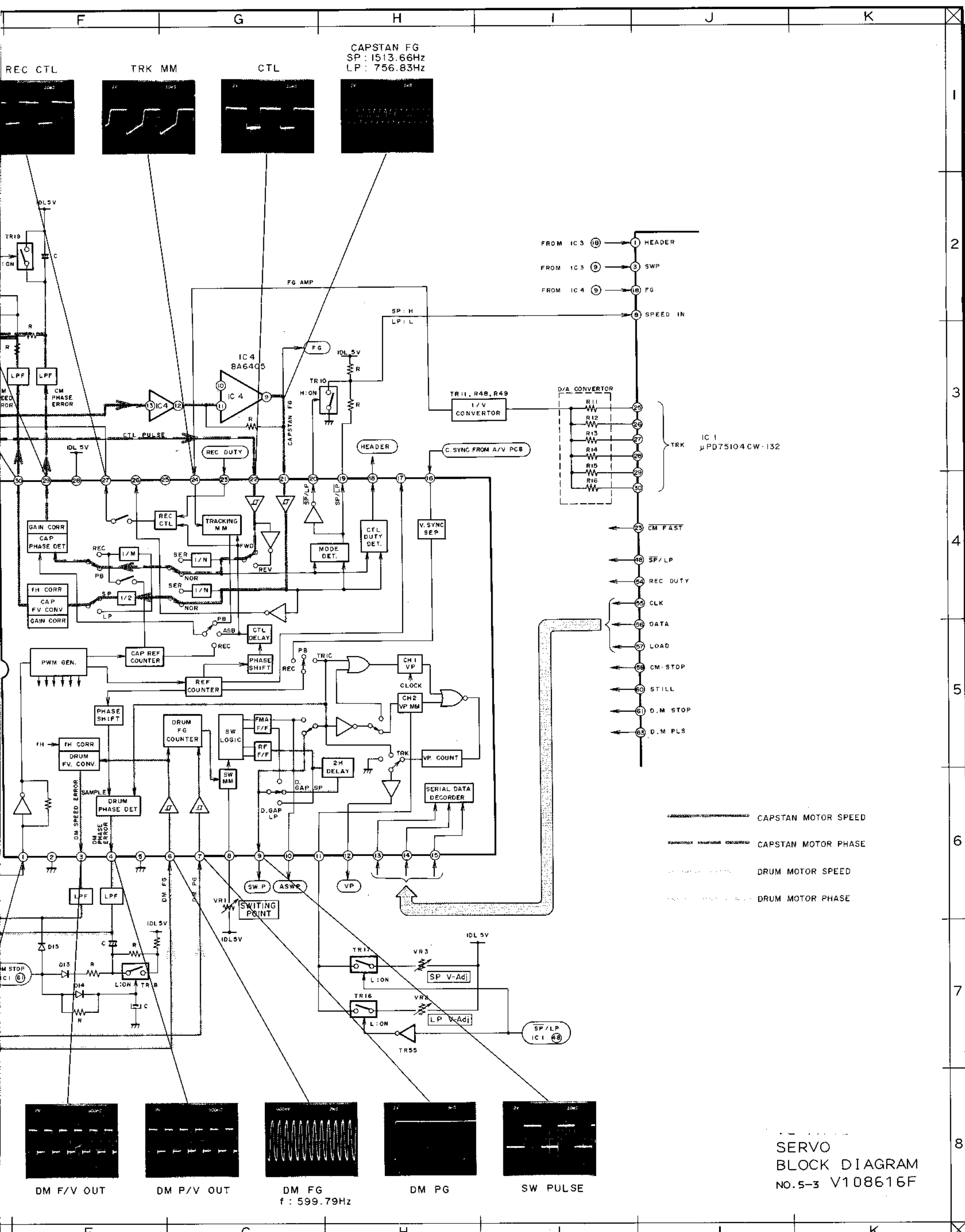
6

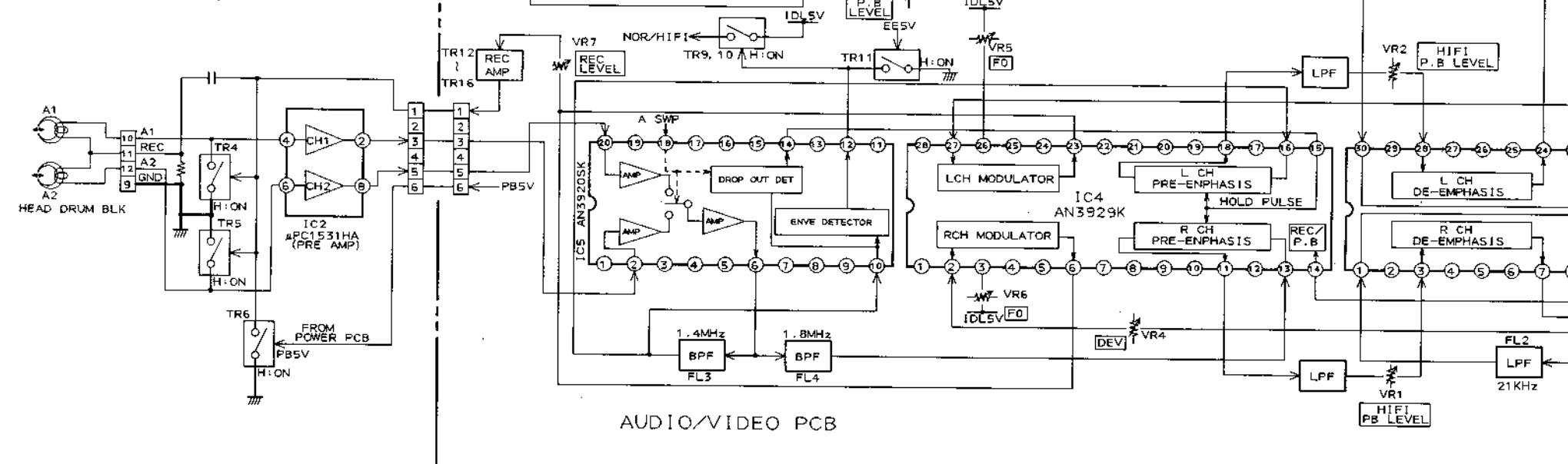
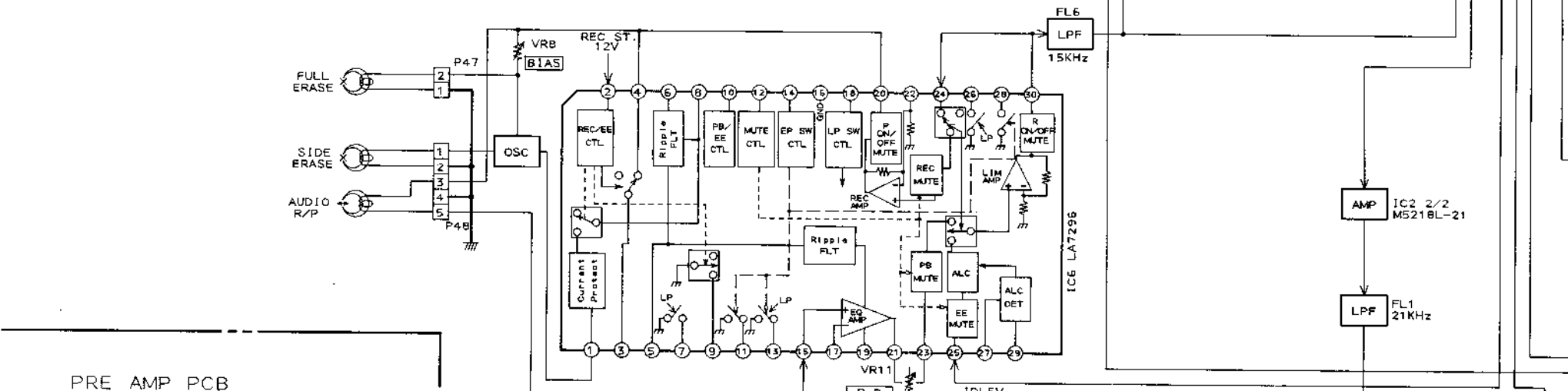
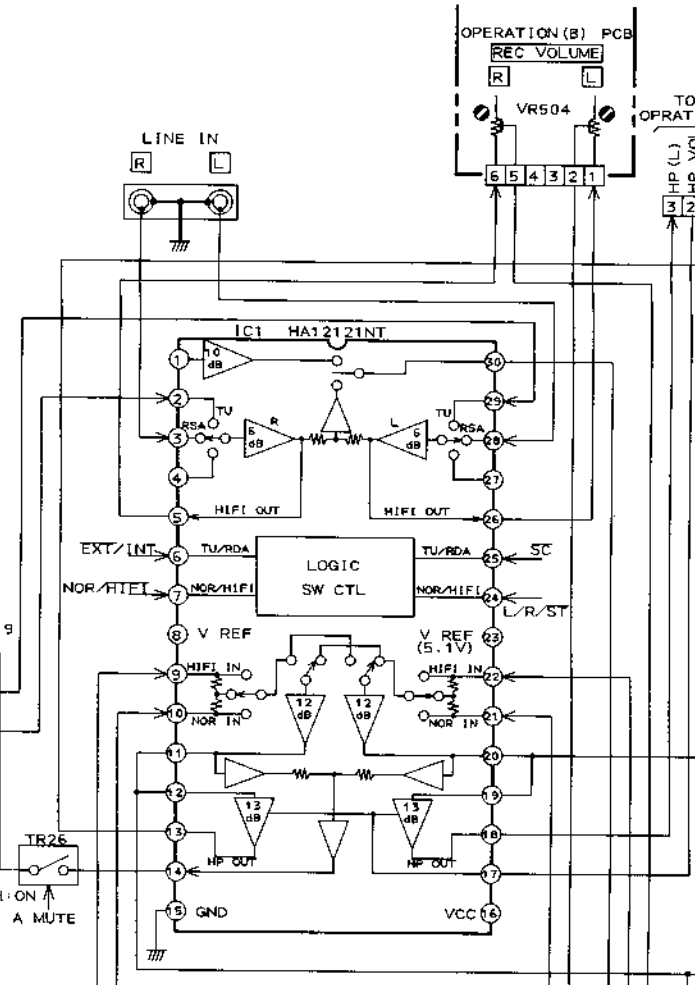
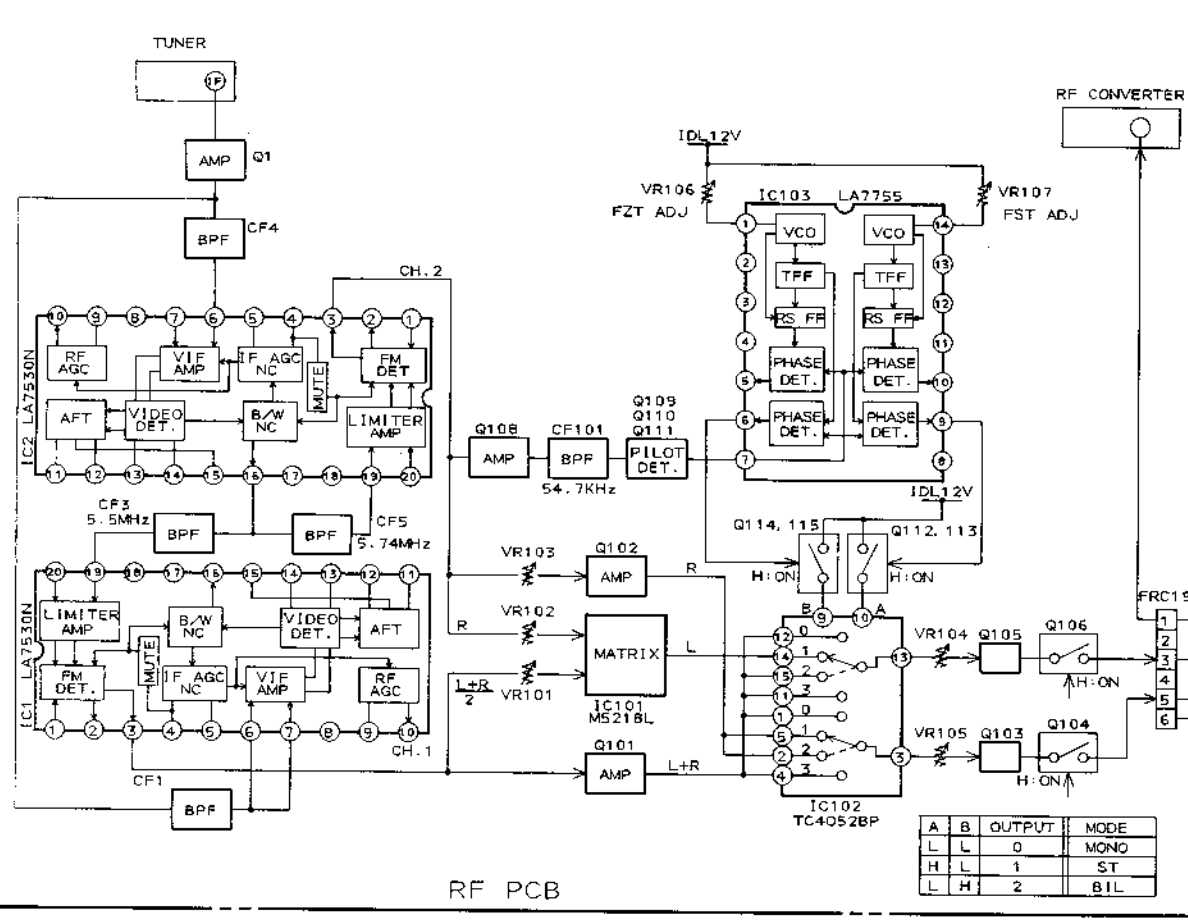
7

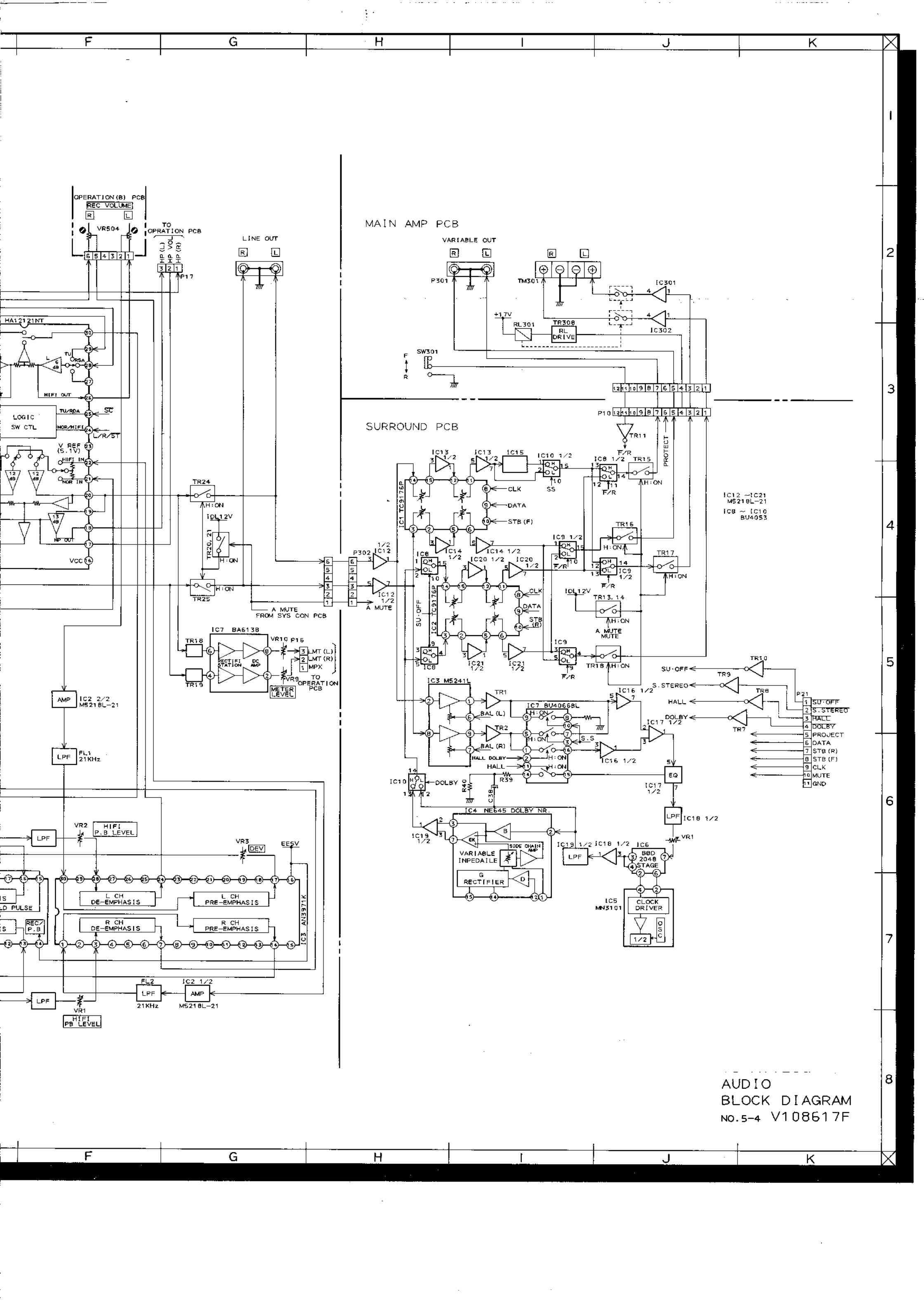
8

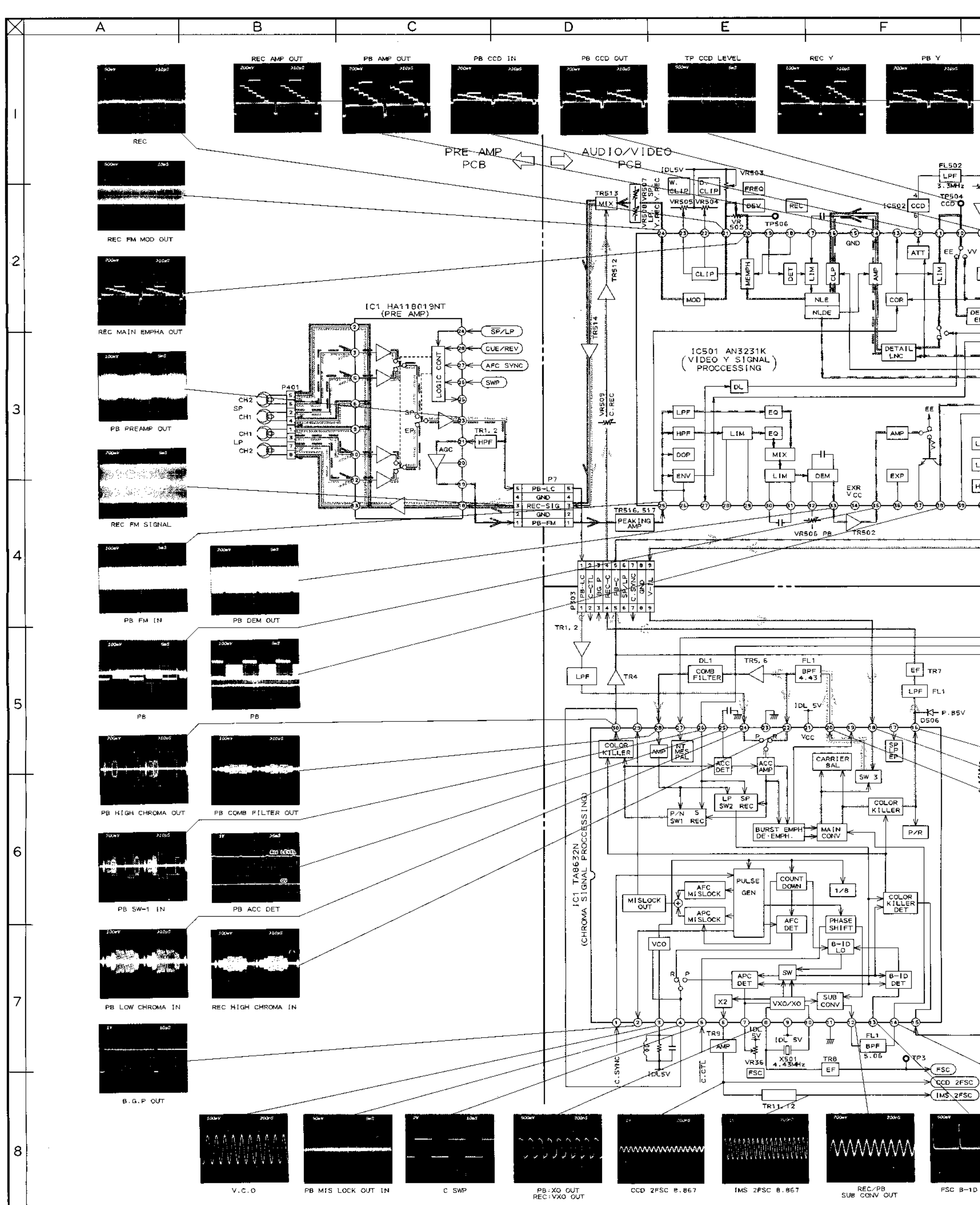


A B C D E F

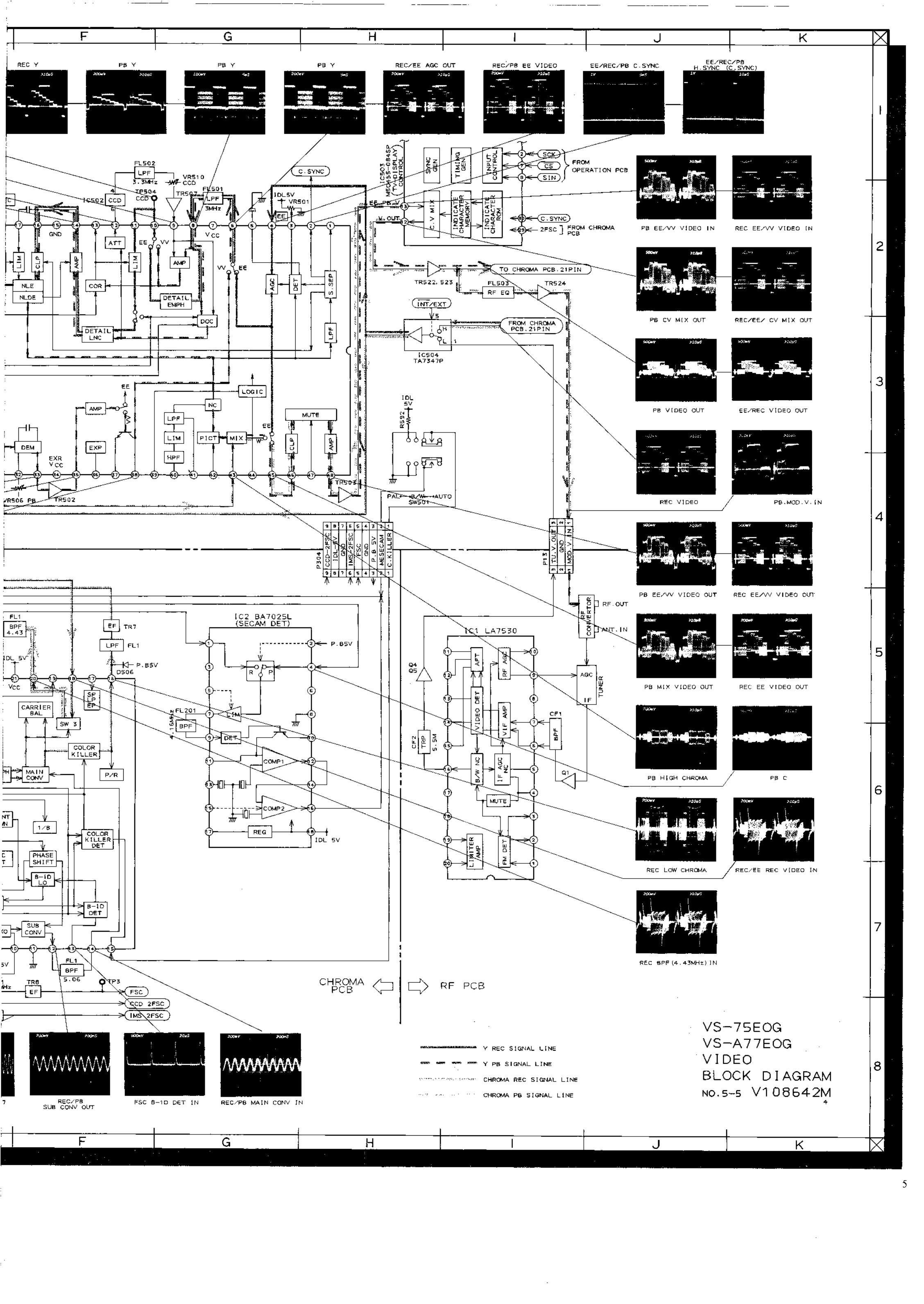


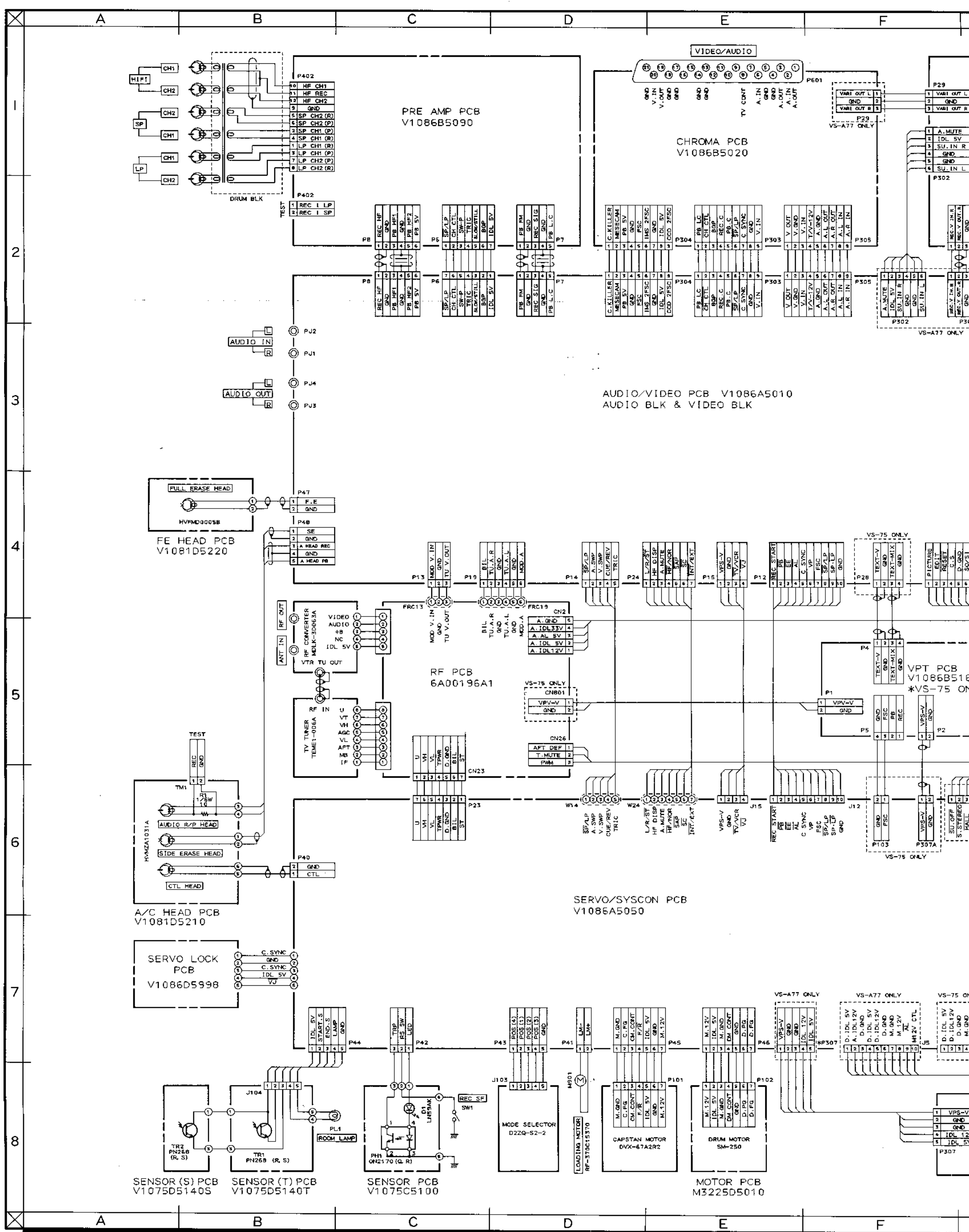


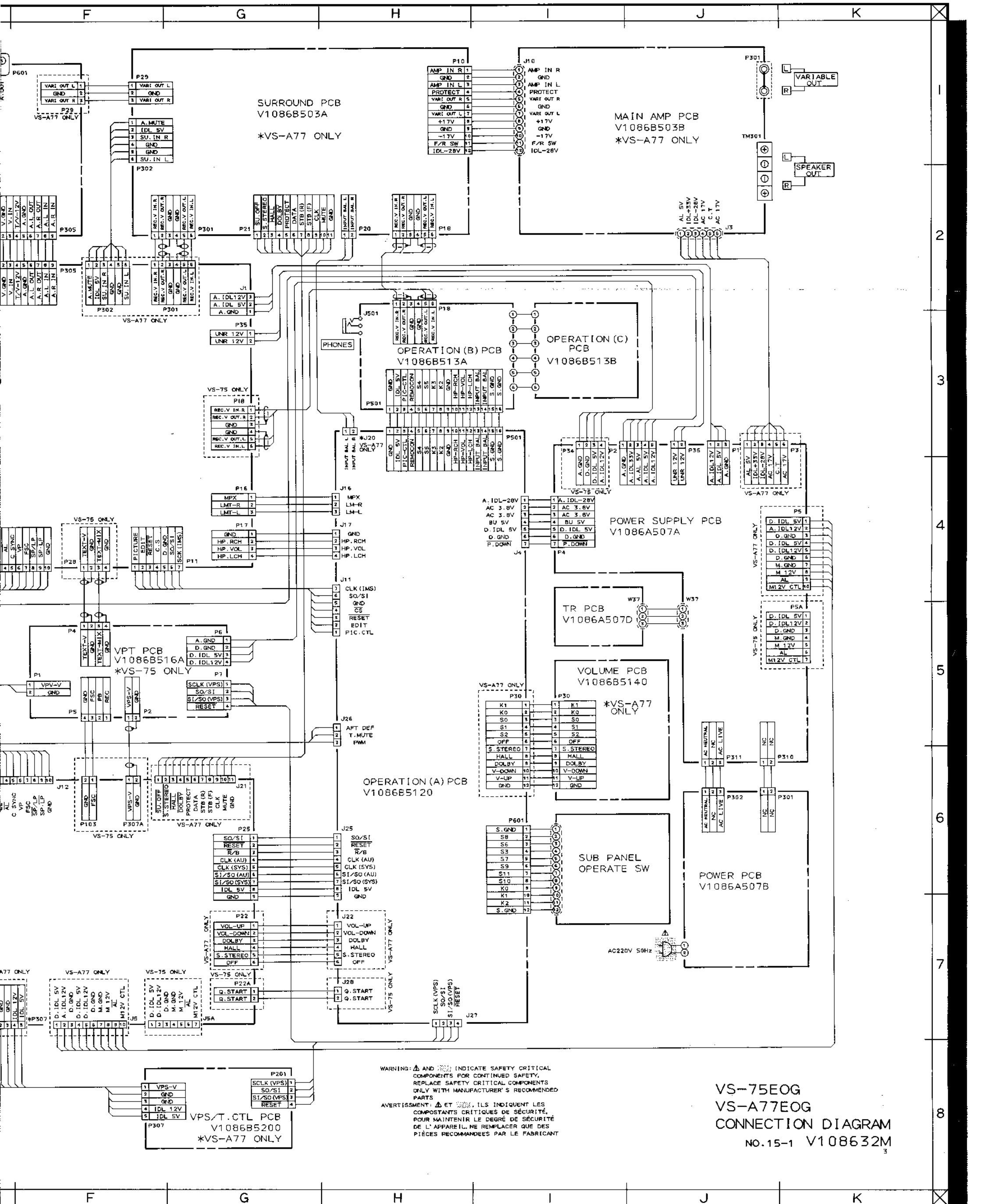




A REC
 B REC AMP OUT
 C PB AMP OUT
 D PB CCD IN
 E PB CCD OUT
 F TP CCD LEVEL
 REC Y
 PB Y
 REC FM MOD OUT
 REC MAIN EMPHA OUT
 PB PREAMP OUT
 REC FM SIGNAL
 PB FM IN
 PB DEM OUT
 PB
 PB HIGH CHROMA OUT
 PB COMB FILTER OUT
 PB SW-1 IN
 PB ACC DET
 PB LOW CHROMA IN
 REC HIGH CHROMA IN
 B.G.P OUT
 V.C.O
 PB MIS LOCK OUT IN
 C SWP
 PB-XO OUT
 REC-VXO OUT
 CCD 2FSC 8.867
 IMS 2FSC 8.867
 REC/PB SUB CONV OUT
 FSC B-1D DE

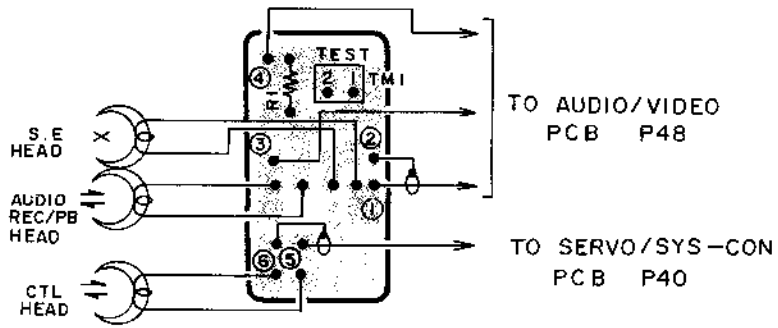




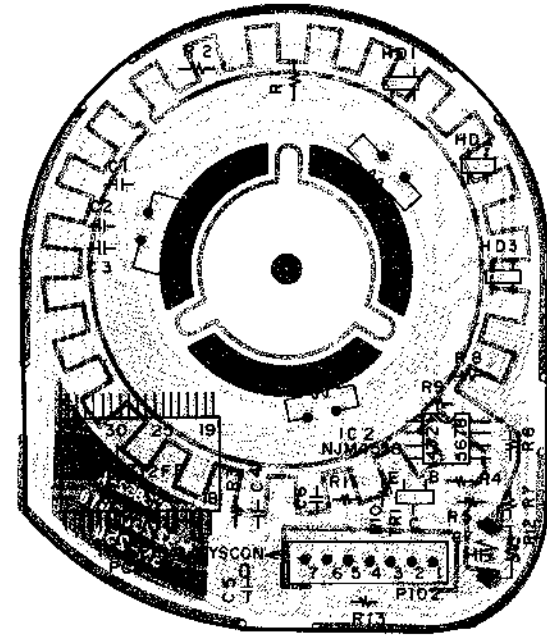
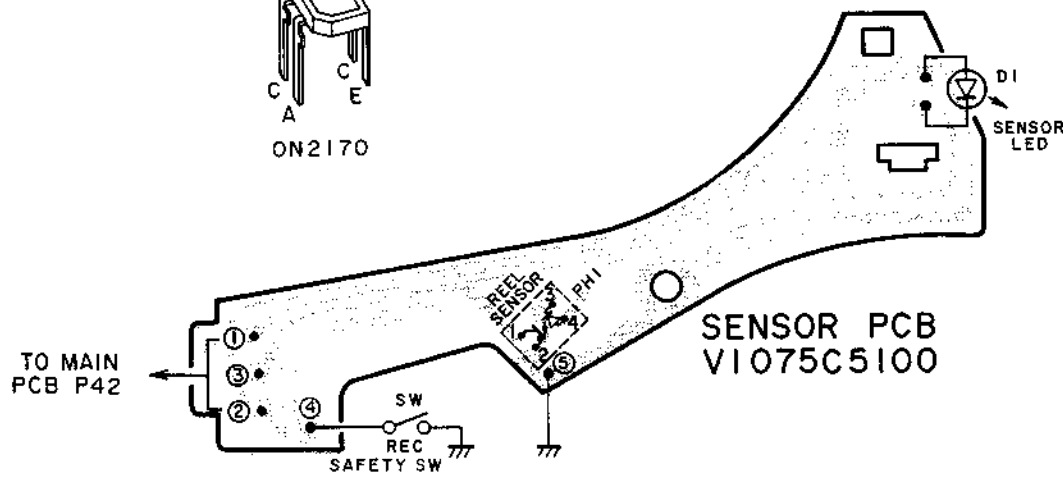
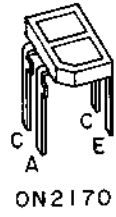
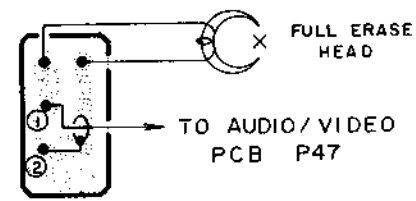


VS-75EOG
 VS-A77EOG
 CONNECTION DIAGRAM
 NO.15-1 V108632M

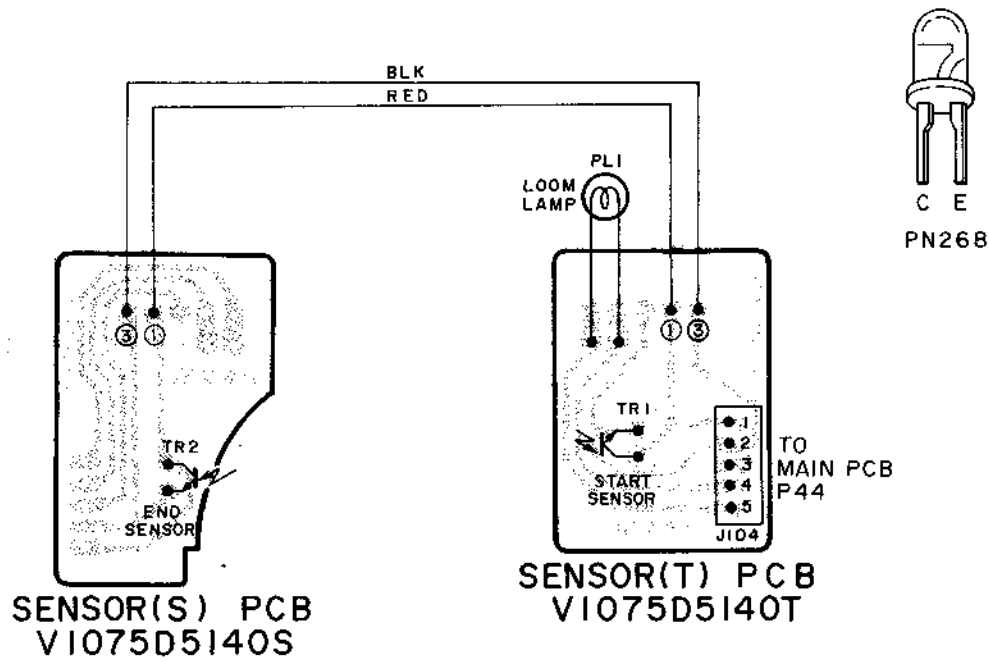
**A/C HEAD PCB
1081D5210**

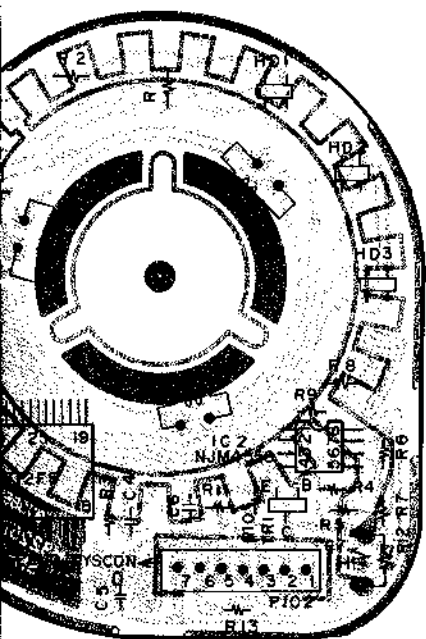


**FULL ERASE HEAD PCB
V1081D5220**

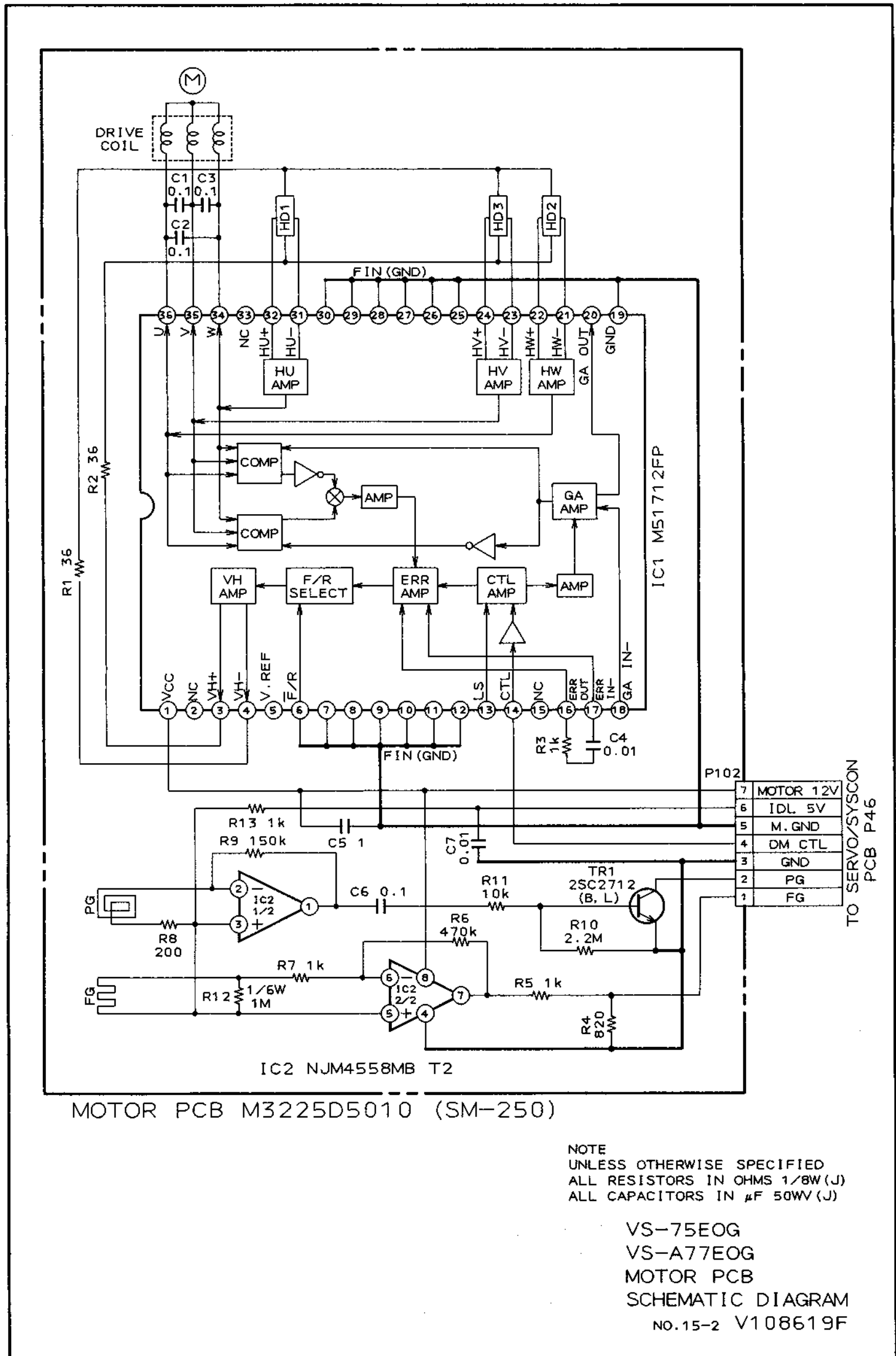


**DRUM MOTOR M3225D5010
(P02)**





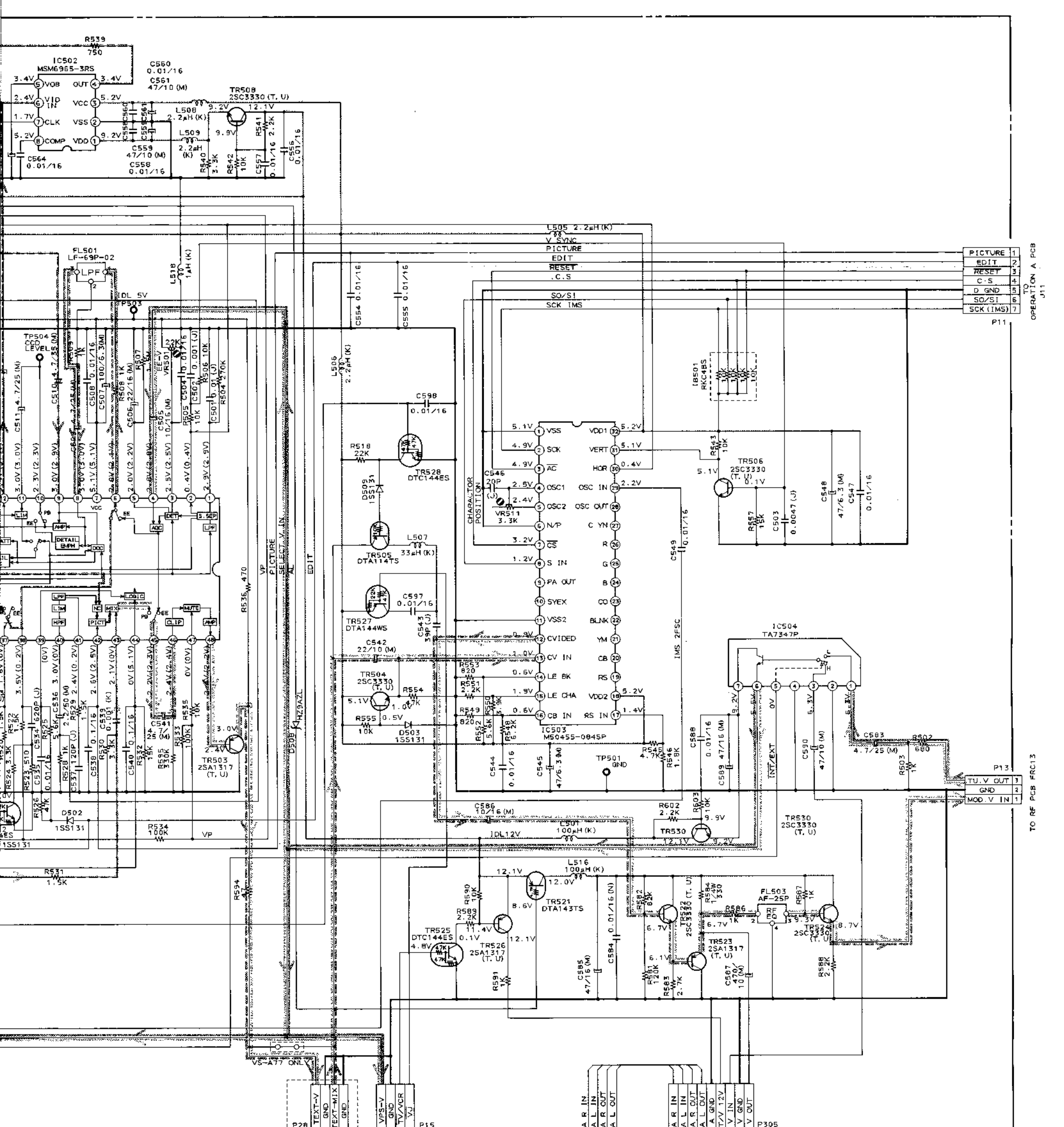
MOTOR M3225D5010 (P02)



MOTOR PCB M3225D5010 (SM-250)

NOTE
 UNLESS OTHERWISE SPECIFIED
 ALL RESISTORS IN OHMS 1/8W (J)
 ALL CAPACITORS IN μF 50WV (J)

VS-75EOG
 VS-A77EOG
 MOTOR PCB
 SCHEMATIC DIAGRAM
 NO.15-2 V108619F



PICTURE	1
EDIT	2
RESET	3
C-S	4
D GND	5
SO/S1	6
SCK (IMS)	7

TU.V OUT	3
GND	2
MOD.V IN	1

V1086A5010

INDICATED VOLTAGE MEASURD IN P.B. MODE.
() : REC MODE.

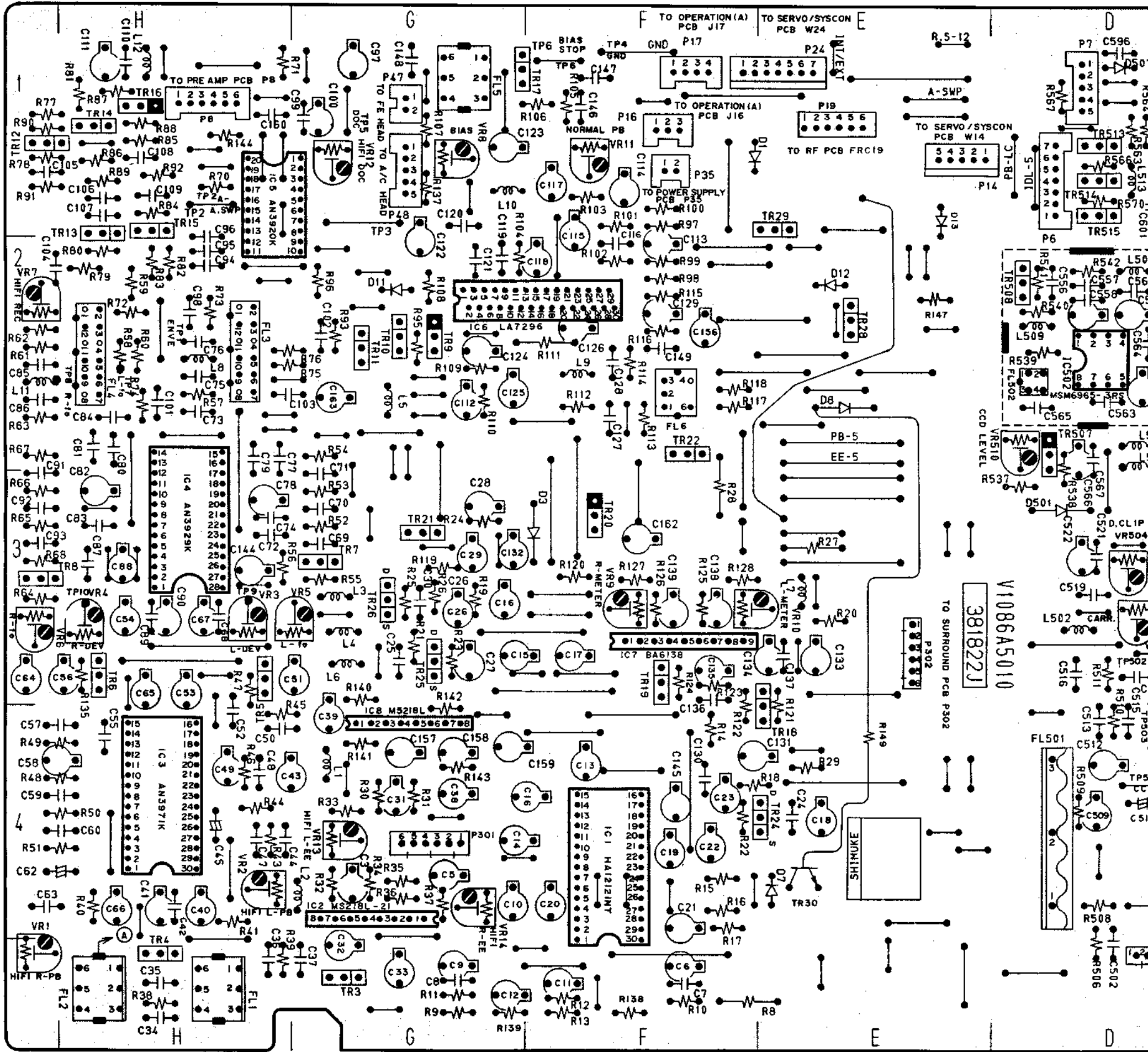
- B (POWER SUPPLY) LINE
- CHROMA REC SIGNAL LINE
- CHROMA PB SIGNAL LINE
- Y REC SIGNAL LINE
- Y PB SIGNAL LINE

NOTE
UNLESS OTHERWISE SPECIFIED
ALL RESISTORS IN OHMS 1/6W(J)
ALL CAPACITORS IN pF 50WV(N)

VS-75EOG
VS-A77EOG
AUDIO/VIDEO PCB
(VIDEO BLK)
SCHEMATIC DIAGRAM
NO.15-3 V108633M

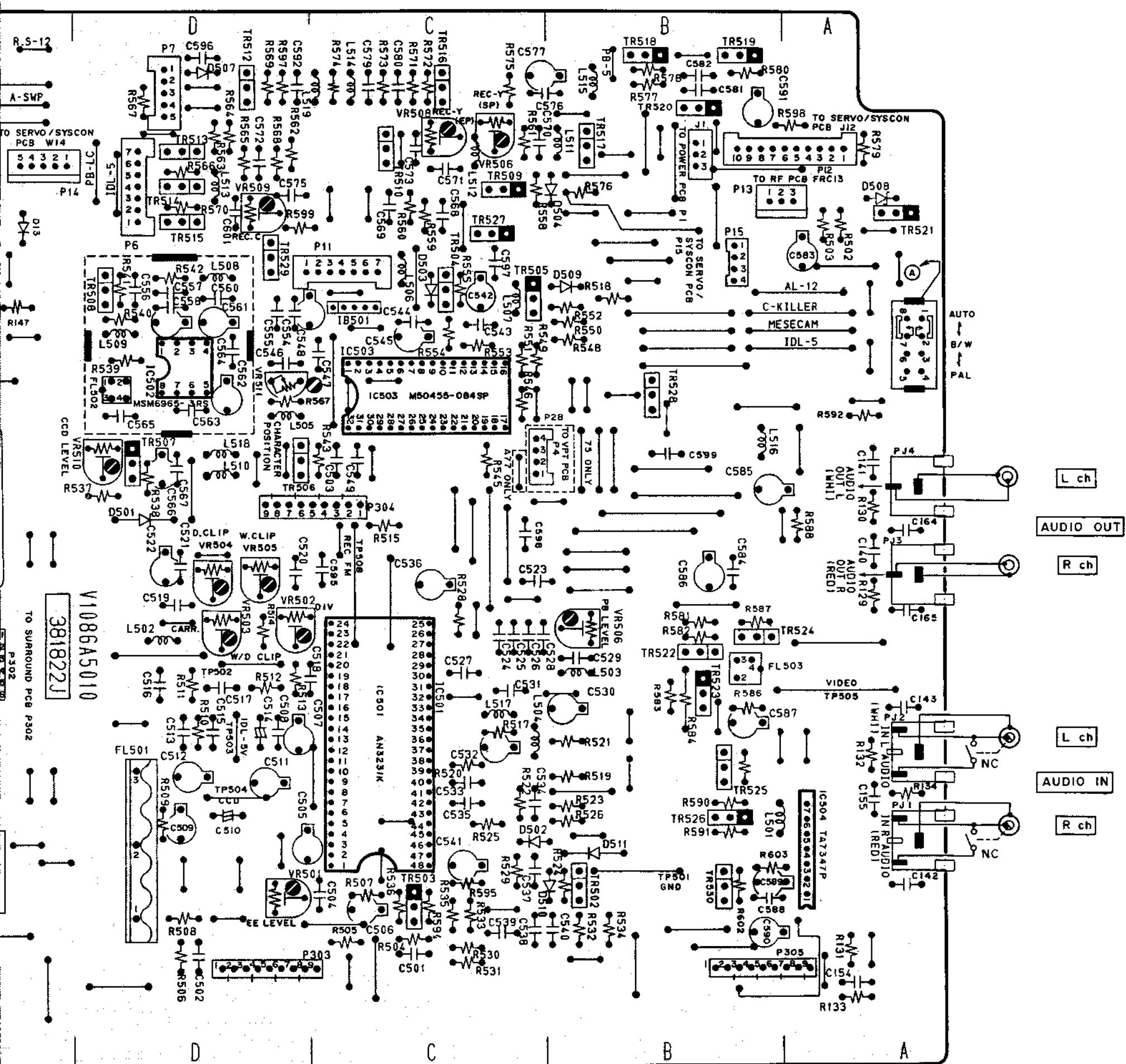
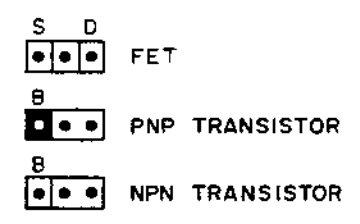
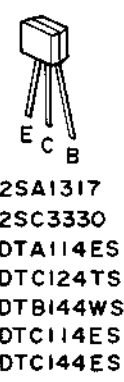
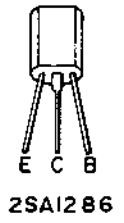
PRINCIPAL PARTS LOCATION

ICs	TRANSISTORS	CONNECTORS
IC1 F4	TR3 G5	P6 D1
IC2 G4	TR4 H5	P7 D1
IC3 H4	TR5 H3	P8 H1
IC4 H2,3	TR6 H3	P11 C2
IC5 H,C1	TR7 G3	P12 A,B1
IC6 G,F2	TR8 H3	P13 A,B1
IC7 F3	TR9 G2	P14 E1
IC8 G4	TR10 G2	P15 B2
IC501 C3,4	TR11 G2	P16 F1
IC502 D2	TR12 H1	P17 F1
IC503 C2	TR13 H1	P18 G4
IC504 A4	TR14 H1	P19 E1
	TR15 H1	P24 E,F1
	TR16 H1	P28 C2
	TR17 G1	P35 F1
	TR18 E3,4	
	TR19 F3	
	TR20 F3	
	TR21 G3	
	TR22 F3	
	TR24 E4	
	TR25 G3	
	TR26 G3	
	TR28 E2	
	TR29 E1	
	TR30 E4	
	TR502 B4	
	TR503 C4	
	TR504 C2	
	TR505 C2	
	TR506 D2,3	
	TR507 D2,3	
	TR508 D2	
	TR509 C1	
	TR510 C1	
	TR512 D1	
	TR513 D1	
	TR514 D1	
	TR515 D1	
	TR516 C1	
	TR517 B1	
	TR518 B1	
	TR519 B1	
	TR520 B1	
	TR521 A1	
	TR522 B3	
	TR523 B3	
	TR524 B3	
	TR525 B4	
	TR526 B4	
	TR527 C1	
	TR528 B2	
	TR529 D1,2	
	TR530 B4	

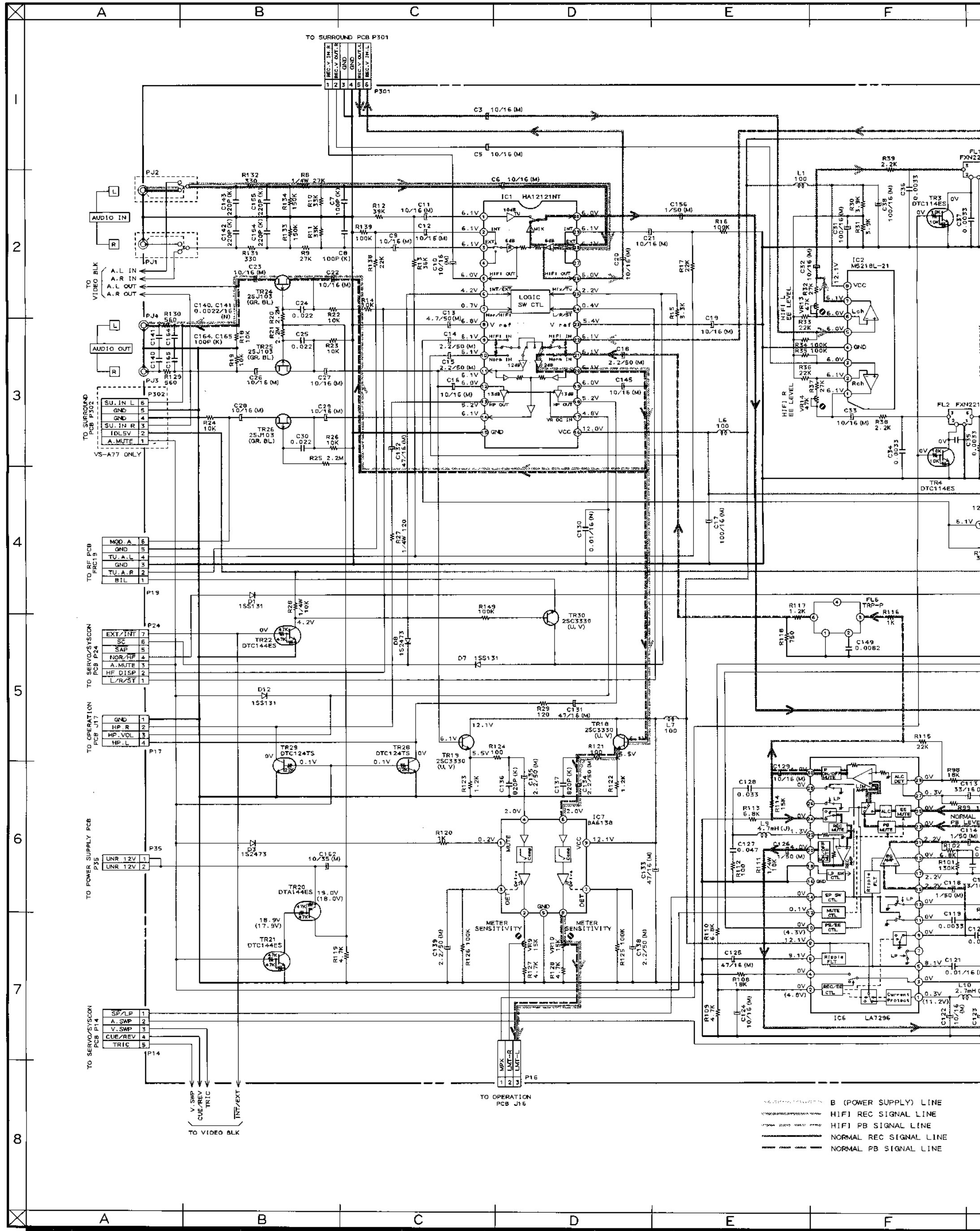


CONNECTORS

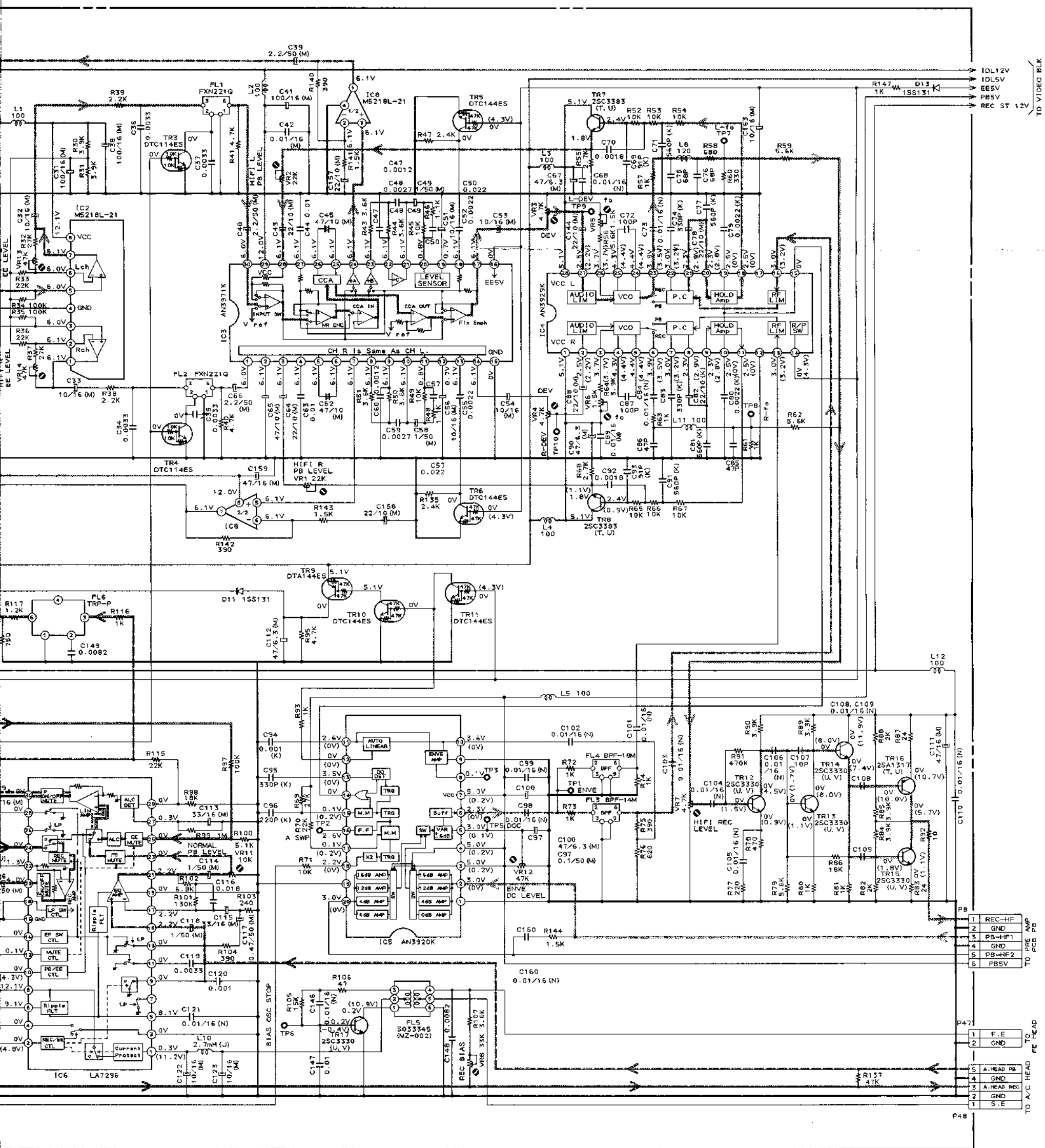
P 6 D1	P47 G1
P 7 D1	P48 G1
P 8 H1	P301 G4
P11 C2	P302 E3
P12 A,B1	P303 D5
P13 A,B1	P304 C,D3
P14 E1	P305 A,B5
P15 B2		
P16 F1	J1 B1
P17 F1	J19 E1
P18 G4		
P19 E1		
P24 E,F1		
P28 C2		
P35 F1		



AUDIO / VIDEO PCB V1086A5010



- B (POWER SUPPLY) LINE
- HIFI REC SIGNAL LINE
- HIFI PB SIGNAL LINE
- NORMAL REC SIGNAL LINE
- NORMAL PB SIGNAL LINE



IDL12V
IDL5V
EESV
PESV
REC ST 12V
TO VIDEO BLK

TO P47

TO P48

TO P49

TO P50

TO P51

TO P52

TO P53

TO P54

TO P55

TO P56

TO P57

TO P58

TO P59

TO P60

TO P61

TO P62

TO P63

TO P64

TO P65

TO P66

TO P67

TO P68

TO P69

TO P70

TO P71

TO P72

TO P73

TO P74

TO P75

TO P76

TO P77

TO P78

TO P79

TO P80

TO P81

TO P82

TO P83

TO P84

TO P85

TO P86

TO P87

TO P88

TO P89

TO P90

TO P91

TO P92

TO P93

TO P94

TO P95

TO P96

TO P97

TO P98

TO P99

TO P100

A/V PCB (AUDIO BLK) V1086A5010

B (POWER SUPPLY) LINE
 HI-FI REC SIGNAL LINE
 HI-FI PB SIGNAL LINE
 NORMAL REC SIGNAL LINE
 NORMAL PB SIGNAL LINE

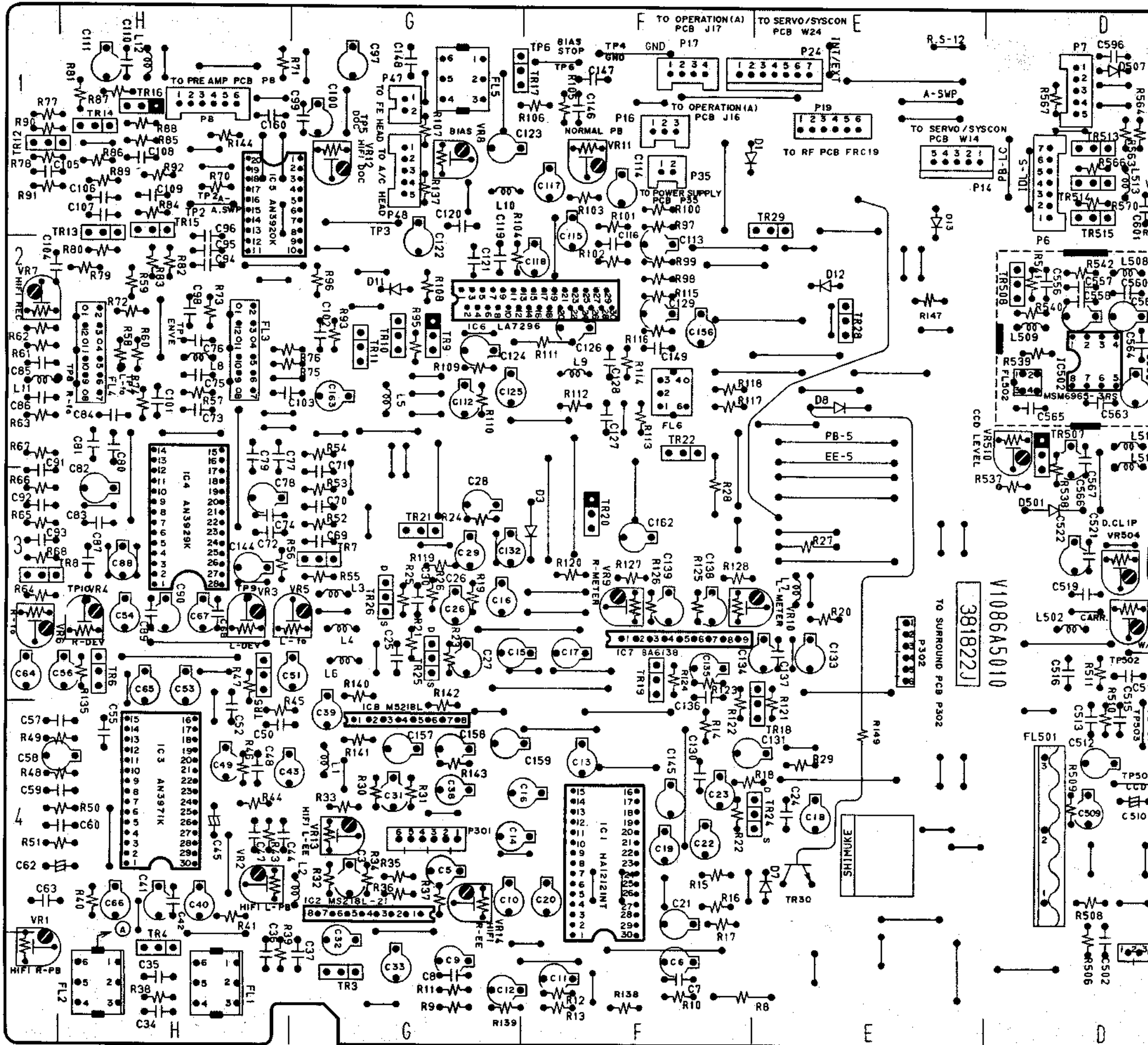
INDICATED VOLTAGE MEASURED IN P.B. MODE.
 () : REC MODE.

NOTE
 UNLESS OTHERWISE SPECIFIED
 ALL RESISTORS IN OHMS 1/8W (J)
 ALL CAPACITORS IN pF 50WV (J)
 ALL INDUCTORS IN μH (K)

AUDIO/VIDEO PCB
 (AUDIO BLK)
 SCHEMATIC DIAGRAM
 NO.15-4 V108634M

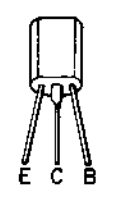
PRINCIPAL PARTS LOCATION

ICs	TRANSISTORS	CONNECTORS
IC1 F4	TR3 G5	P6 D1
IC2 G4	TR4 H5	P7 D1
IC3 H4	TR5 H3	P8 H1
IC4 H2,3	TR6 H3	P11 C2
IC5 H,C1	TR7 G3	P12 A,B1
IC6 G,F2	TR8 H3	P13 A,B1
IC7 F3	TR9 G2	P14 E1
IC8 G4	TR10 G2	P15 B2
IC501 C3,4	TR11 G2	P16 F1
IC502 D2	TR12 H1	P17 F1
IC503 C2	TR13 H1	P18 G4
IC504 A4	TR14 H1	P19 E1
	TR15 H1	P24 E,F1
	TR16 H1	P28 C2
	TR17 G1	P35 F1
	TR18 E3,4	
	TR19 F3	
	TR20 F3	
	TR21 G3	
	TR22 F3	
	TR24 E4	
	TR25 G3	
	TR26 G3	
	TR28 E2	
	TR29 E1	
	TR30 E4	
	TR502 B4	
	TR503 C4	
	TR504 C2	
	TR505 C2	
	TR506 D2,3	
	TR507 D2,3	
	TR508 D2	
	TR509 C1	
	TR510 C1	
	TR512 D1	
	TR513 D1	
	TR514 D1	
	TR515 D1	
	TR516 C1	
	TR517 B1	
	TR518 B1	
	TR519 B1	
	TR520 B1	
	TR521 A1	
	TR522 B3	
	TR523 B3	
	TR524 B3	
	TR525 B4	
	TR526 B4	
	TR527 C1	
	TR528 B2	
	TR529 D1,2	
	TR530 B4	

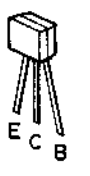


CONNECTORS

P 6 D1	P 47 G1
P 7 D1	P 48 G1
P 8 H1	P 301 G4
P 11 C2	P 302 E3
P 12 A,B1	P 303 D5
P 13 A,B1	P 304 C,D3
P 14 E1	P 305 A,B5
P 15 B2		
P 16 F1	J 1 B1
P 17 F1	J 19 E1
P 18 G4		
P 19 E1		
P 24 E,F1		
P 28 C2		
P 35 F1		



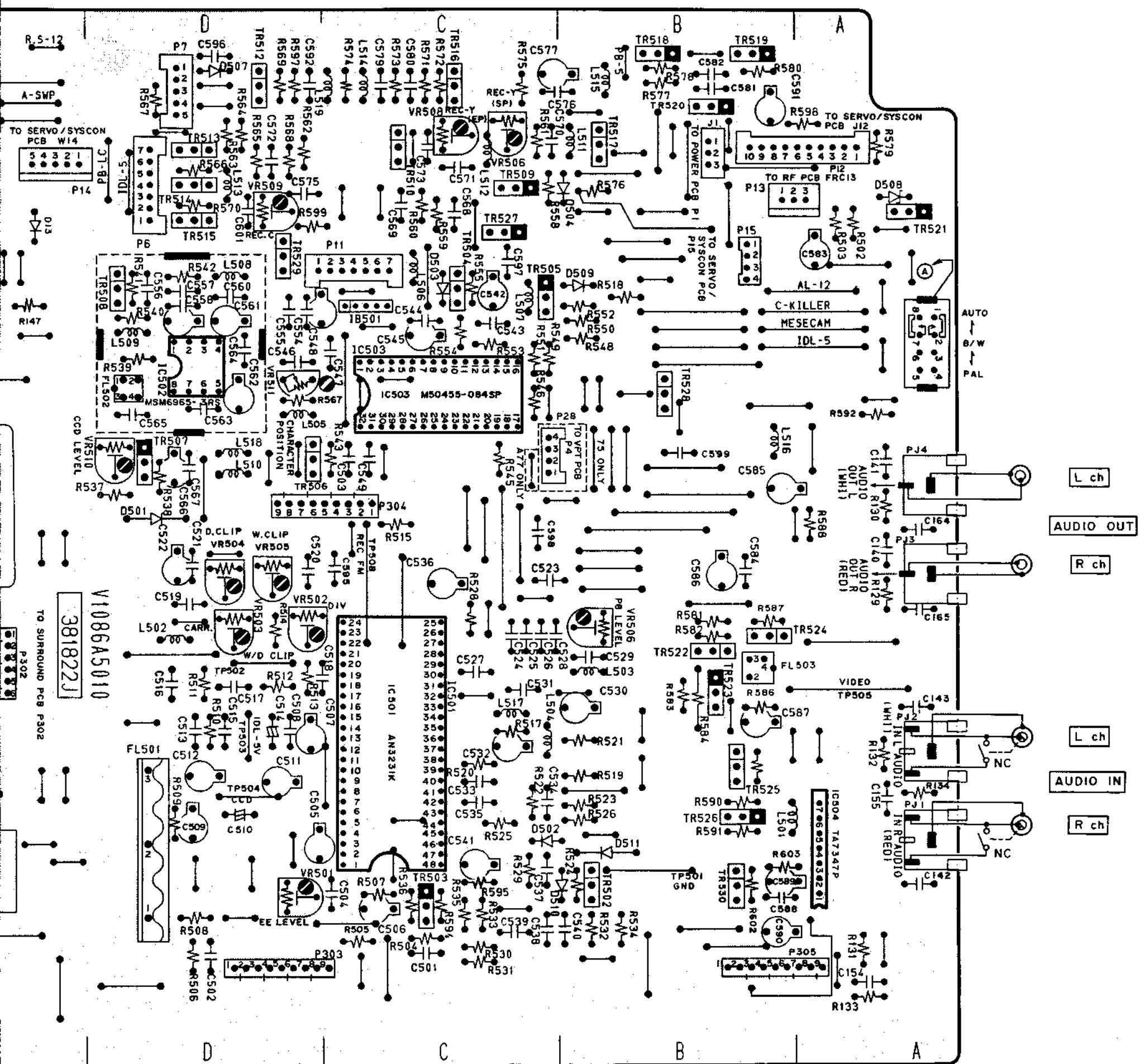
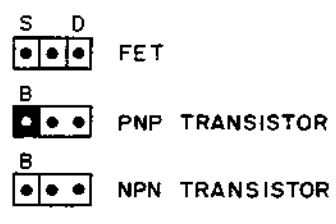
25AI286



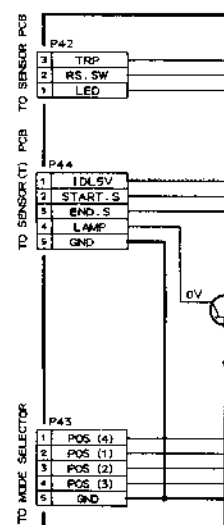
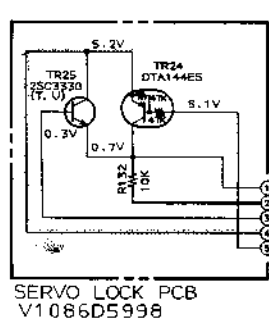
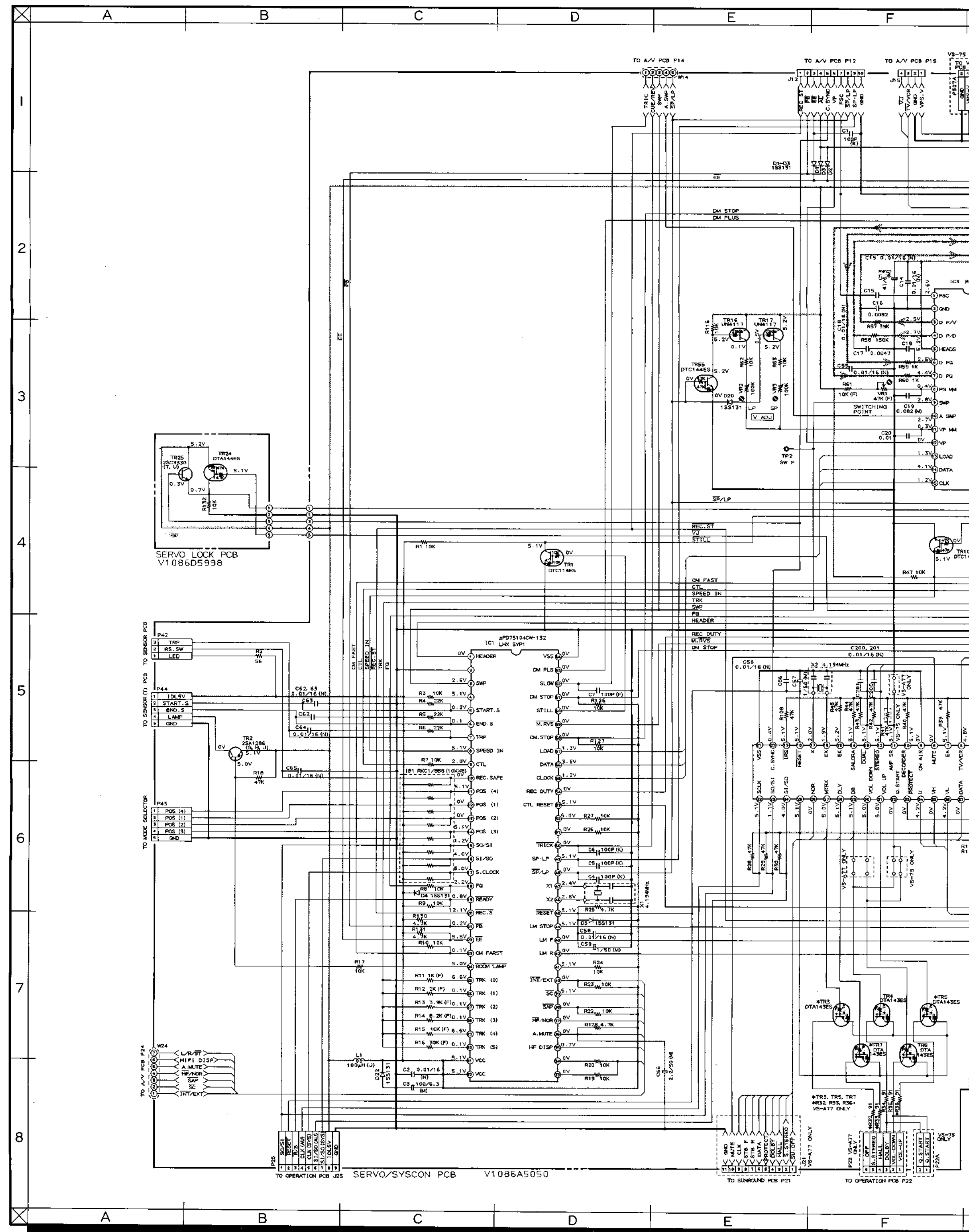
- 25AI317
25C3330
DTA114ES
DTC124TS
DTB144WS
DTC114ES
DTC144ES



25J103



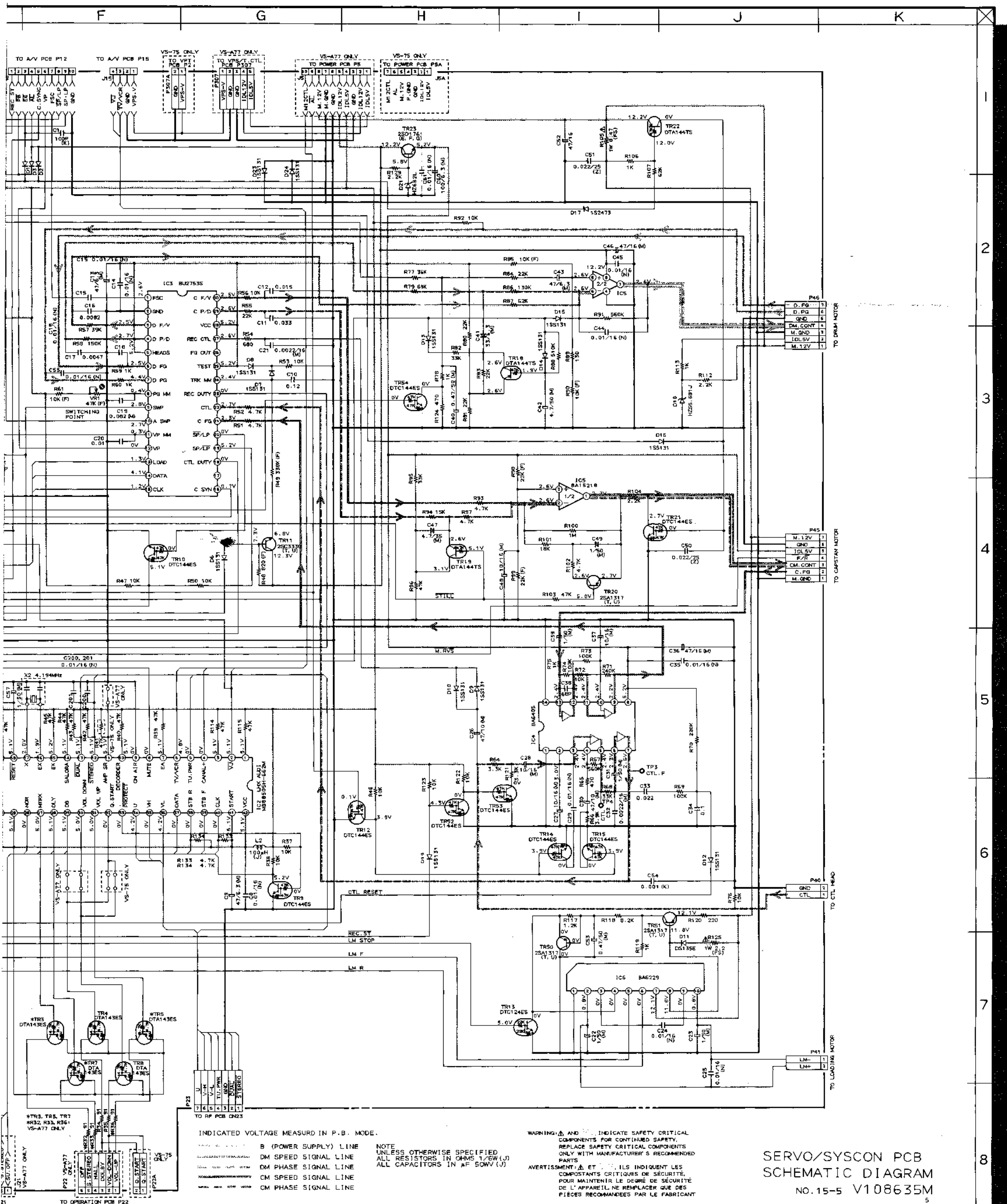
AUDIO / VIDEO PCB V1086A5010



SERVO/SYSON PCB V1086A5050

TO SURROUND PCB P21

TO OPERATION PCB P22



INDICATED VOLTAGE MEASURED IN P.B. MODE.

- B (POWER SUPPLY) LINE
- DM SPEED SIGNAL LINE
- DM PHASE SIGNAL LINE
- CM SPEED SIGNAL LINE
- CM PHASE SIGNAL LINE

NOTE
UNLESS OTHERWISE SPECIFIED
ALL RESISTORS IN OHMS 1/5W(J)
ALL CAPACITORS IN MF 50V(J)

WARNING: ⚠ AND ⚡ INDICATE SAFETY CRITICAL COMPONENTS FOR CONTINUED SAFETY. REPLACE SAFETY CRITICAL COMPONENTS ONLY WITH MANUFACTURER'S RECOMMENDED PARTS.
AVERTISSEMENT: ⚠ ET ⚡ ILS INDIQUENT LES COMPOSANTS CRITIQUES DE SÉCURITÉ. POUR MAINTENIR LE DEGRÉ DE SÉCURITÉ DE L'APPAREIL, NE REMPLACER QUE DES PIÈCES RECOMMANDÉES PAR LE FABRICANT

SERVO/SYSCON PCB
SCHEMATIC DIAGRAM
NO.15-5 V108635M

PRINCIPAL PARTS LOCATION

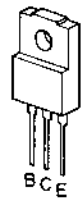
IC 1.....B 3,4	TRANSISTORS	TR 1.....B 3
IC 2.....B,C 2	TR 2.....A 4	TR 2.....A 4
IC 3.....D 1	TR 3.....B 2	TR 3.....B 2
IC 4.....D 2,3	TR 4.....B 2	TR 4.....B 2
IC 5.....D 3,4	TR 5.....C 2	TR 5.....C 2
IC 6.....A,B 1	TR 6.....B 2	TR 6.....B 2
	TR 7.....B 2	TR 7.....B 2
	TR 8.....C 2	TR 8.....C 2
	TR 9.....A 1	TR 9.....A 1
	TR 10.....D 1	TR 10.....D 1
	TR 11.....C 2	TR 11.....C 2
	TR 12.....D 3	TR 12.....D 3
	TR 13.....A 1	TR 13.....A 1
	TR 14.....D 3	TR 14.....D 3
	TR 15.....D 3	TR 15.....D 3
	TR 16.....E 2	TR 16.....E 2
	TR 17.....E 2,3	TR 17.....E 2,3
	TR 18.....C 4	TR 18.....C 4
	TR 19.....D 3	TR 19.....D 3
	TR 20.....D 4	TR 20.....D 4
	TR 21.....D 4	TR 21.....D 4
	TR 22.....C 3	TR 22.....C 3
	TR 23.....C 4	TR 23.....C 4
	TR 24.....A 1	TR 24.....A 1
	TR 25.....B 2	TR 25.....B 2
	TR 26.....C 3	TR 26.....C 3
	TR 27.....C 3	TR 27.....C 3
	TR 28.....C 3	TR 28.....C 3
	TR 29.....E 2	TR 29.....E 2

CONNECTORS

P22(P22A).....E 2	TO OPERATIONAL PCB VS-A77: P22-1,2,28 VS-75: P22A-1,2,28
P23.....A 3	
P25.....E 3	
P40.....C 3	
P41.....A 4	
P42.....A 3	
P43.....A 3	
P44.....A,B 3	
P45.....C 3	
P46.....C 4	
P307(P307A).....B 2	

WIRES

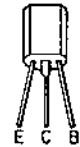
J5 (J5A).....B, C 3	
J12.....A 3, 4	
J15.....A 3	
J21.....A 2, 3	
W14.....A 4	
W24.....B 4	



2SD1761



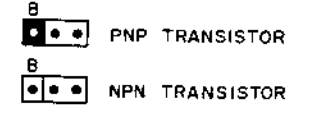
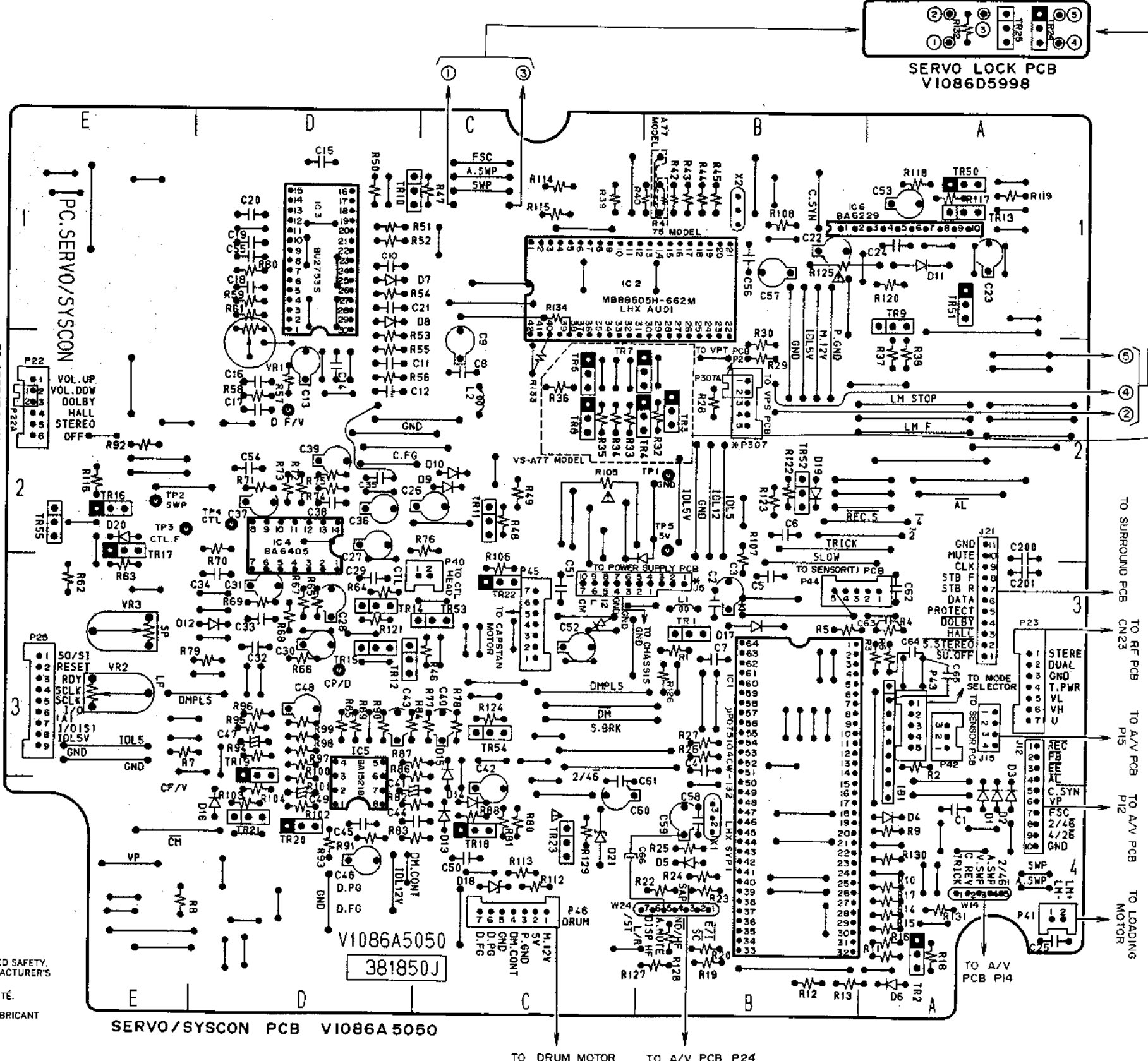
DTC124TS



2SA1286

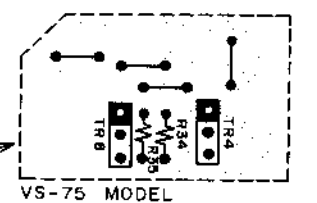
- DTC124TS
- 2SA1317
- 2SC3330
- DTA143ES
- DTA144ES
- DTA144TS
- DTC124ES
- DTC144ES
- DTC144TS

WARNING: Δ INDICATES SAFETY CRITICAL COMPONENTS FOR CONTINUED SAFETY. REPLACE SAFETY CRITICAL COMPONENTS ONLY WITH MANUFACTURER'S RECOMMENDED PARTS.
 AVERTISSEMENT: Δ IL INDIQUE LES COMPOSANTS CRITIQUES DE SÉCURITÉ. POUR MAINTENIR LE DEGRÉ DE SÉCURITÉ DE L'APPAREIL, NE REMPLACER QUE DES PIÈCES RECOMMANDÉES PAR LE FABRICANT



PNP TRANSISTOR

NPN TRANSISTOR

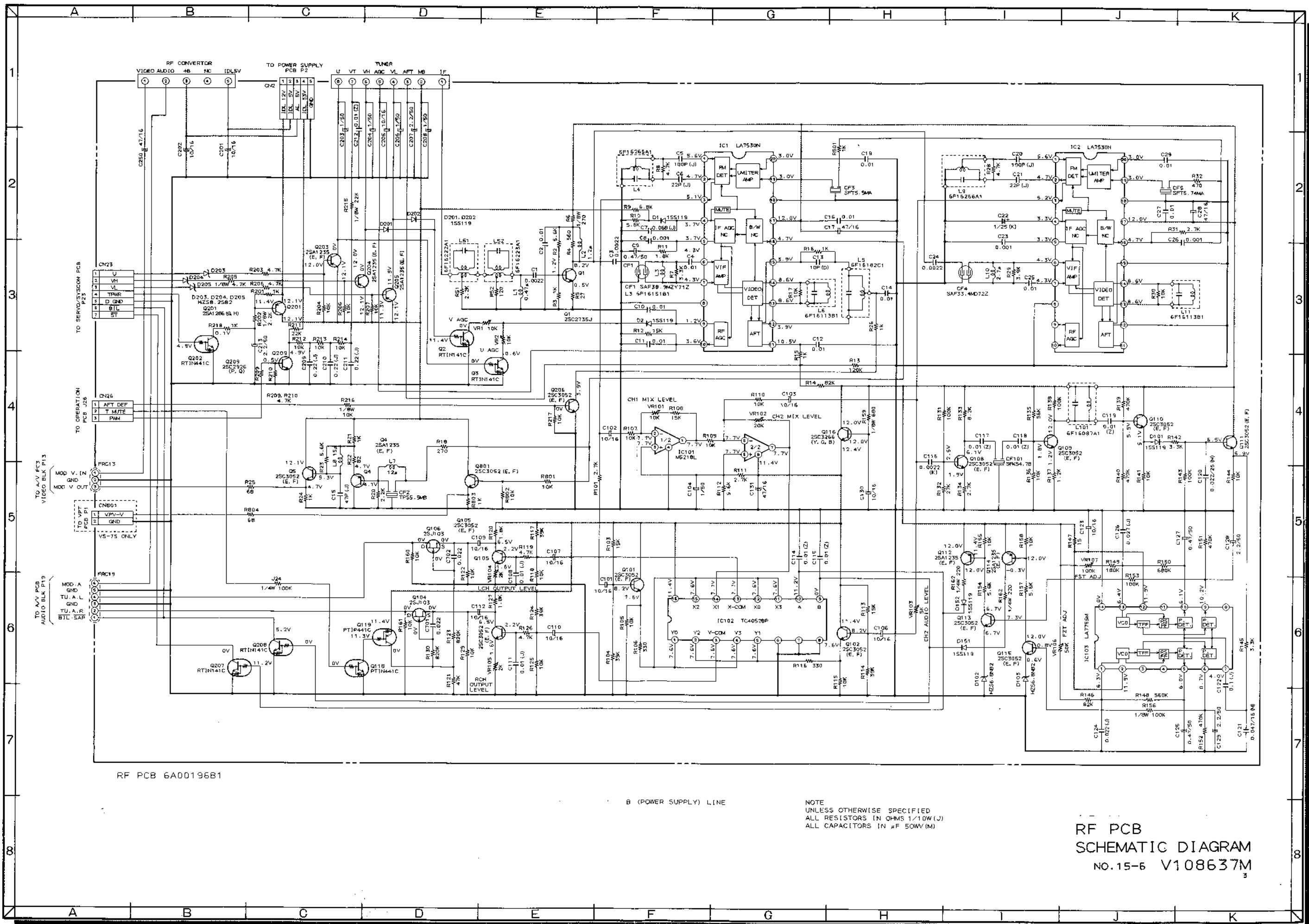


VS-75 MODEL

*P307: VS-A77: 5P
 VS-75: 2P
 *J5 VS-75: 7P
 VS-A77: 10P

SERVO/SYSCON PCB V1086A 5050

V1086A5050
 381850J

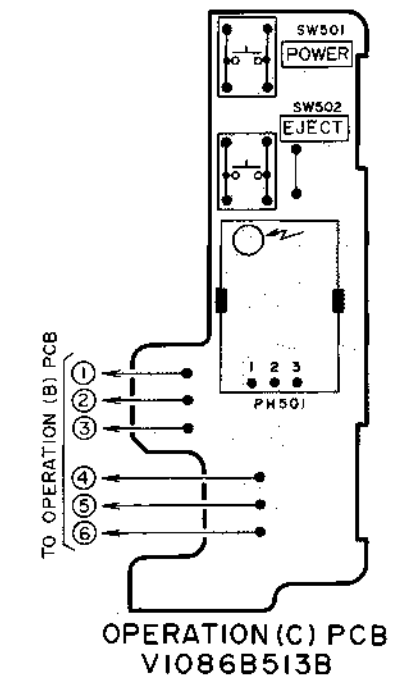
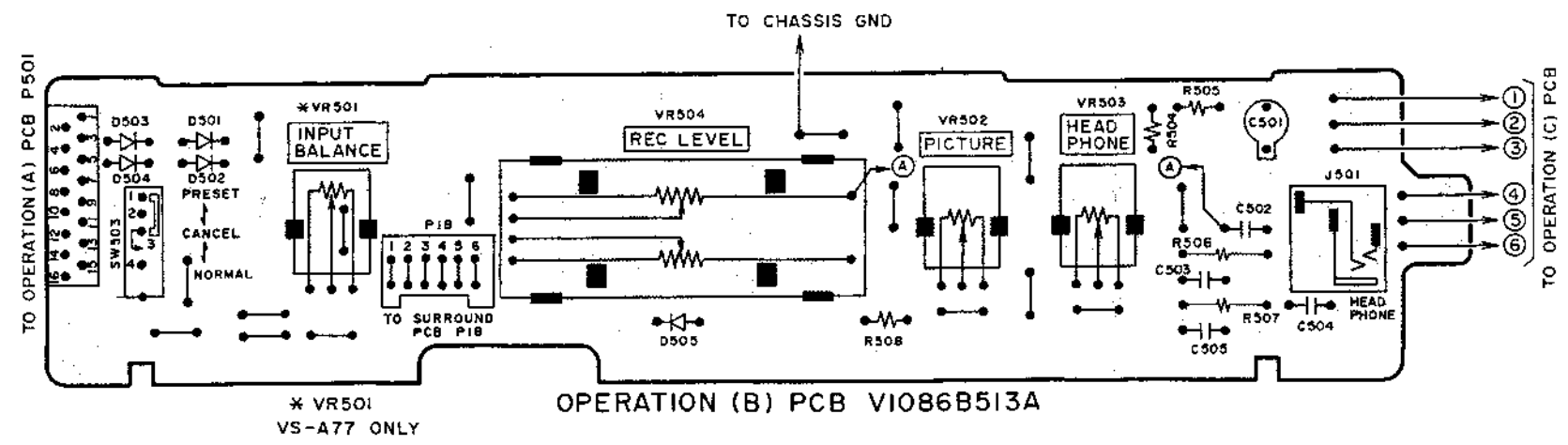
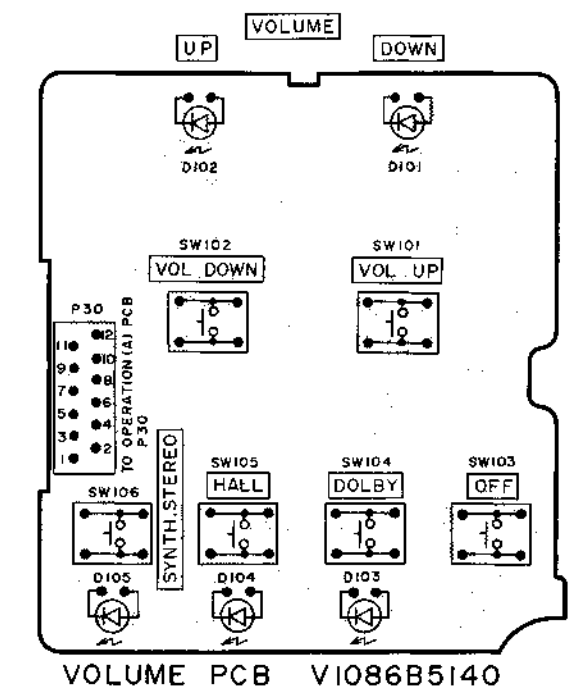
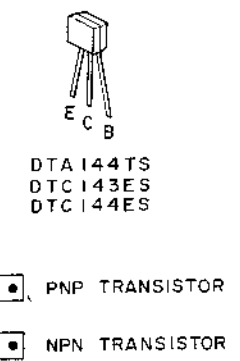
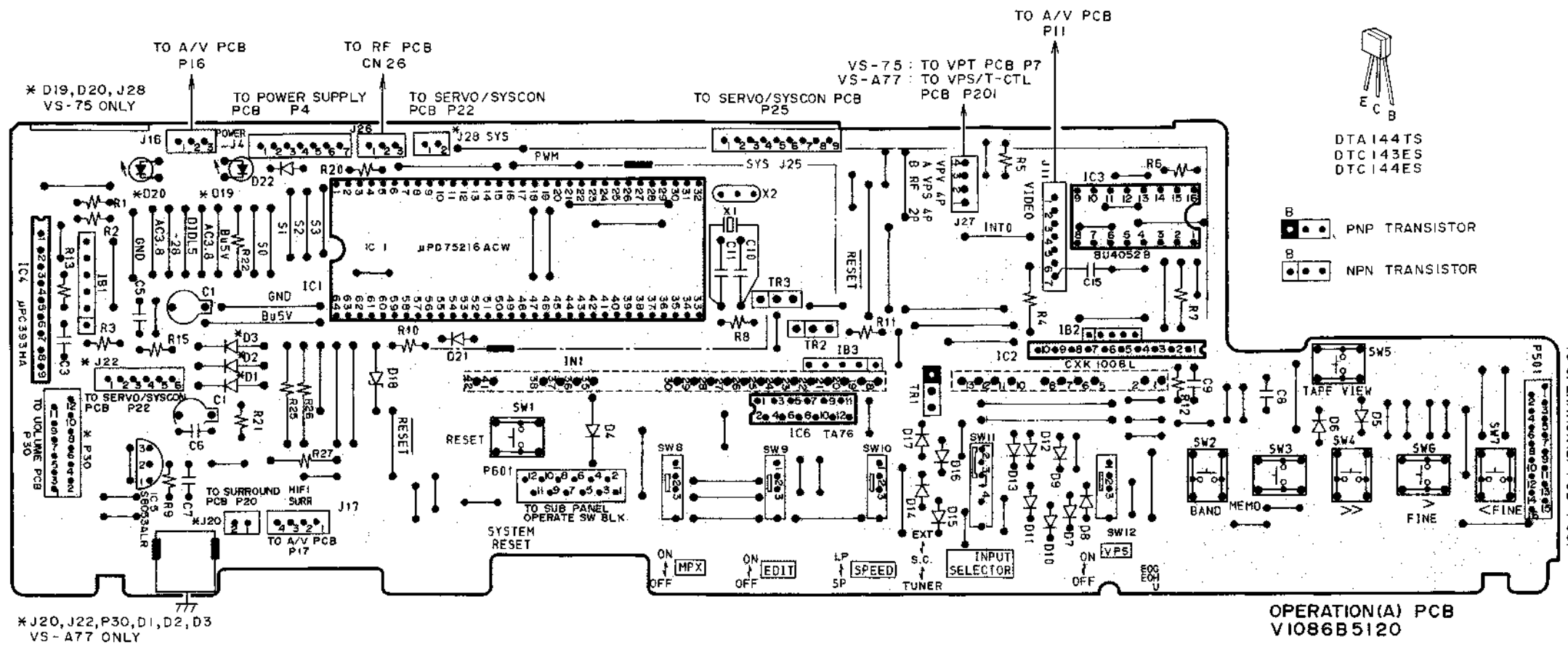


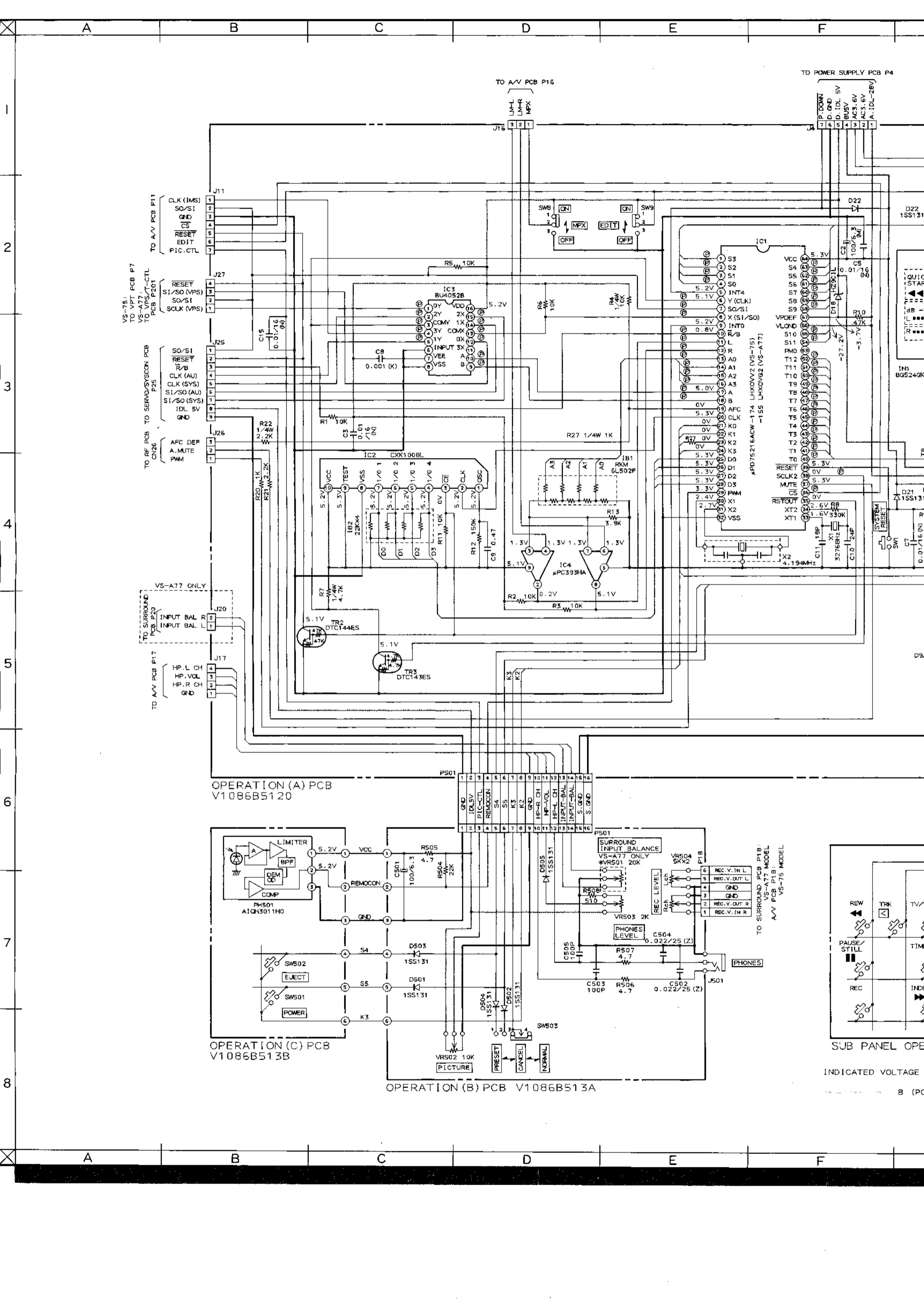
RF PCB 6A00196B1

B (POWER SUPPLY) LINE

NOTE
UNLESS OTHERWISE SPECIFIED
ALL RESISTORS IN OHMS 1/10W(J)
ALL CAPACITORS IN μ F 50WV(M)

RF PCB
SCHEMATIC DIAGRAM
NO.15-6 V108637M





VS-75:
TO VPT PCB P7
VS-A77:
TO VPS-T-CTL
PCB P201

TO A/V PCB P11
1 CLK (IMS)
2 SO/SI
3 GND
4 CS
5 RESET
6 EDIT
7 PIC. CTL

TO REF PCB TO SERVO/SYSCON PCB
P25
1 SO/SI
2 RESET
3 R/B
4 CLK (AU)
5 CLK (SYS)
6 SI/SO (AU)
7 SI/SO (SYS)
8 IDL 5V
9 GND

VS-A77 ONLY
TO SURROUND
PCB P20
1 INPUT BAL R
2 INPUT BAL L

TO A/V PCB P17
1 HP-L CH
2 HP-VOL
3 HP-R CH
4 GND

OPERATION (A) PCB
V1086B5120

OPERATION (C) PCB
V1086B513B

OPERATION (B) PCB V1086B513A

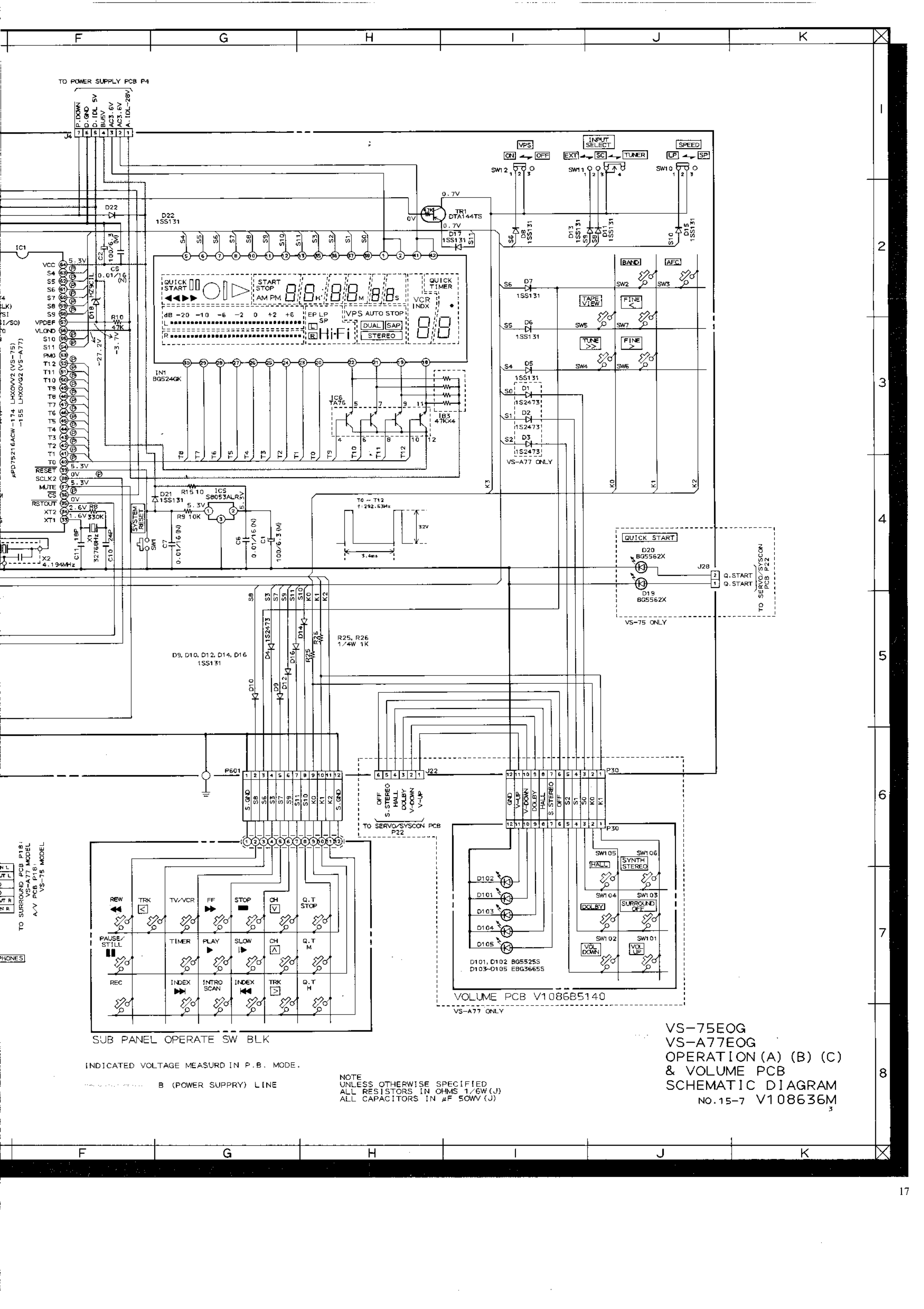
SUB PANEL OPER

INDICATED VOLTAGE M
B (POA

TO A/V PCB P16

TO POWER SUPPLY PCB P4

TO SURROUND PCB P18:
VS-A77 MODEL
A/V PCB P18:
VS-75 MODEL



TO POWER SUPPLY PCB P4

APD75216ACW-174 LHXOV2 (VS-75)
-155 LHXOV2 (VS-A77)

TO SURROUND PCB P18:
VS-A77 MODEL
A-V PCB P18 MODEL
VS-75 MODEL

PHONES

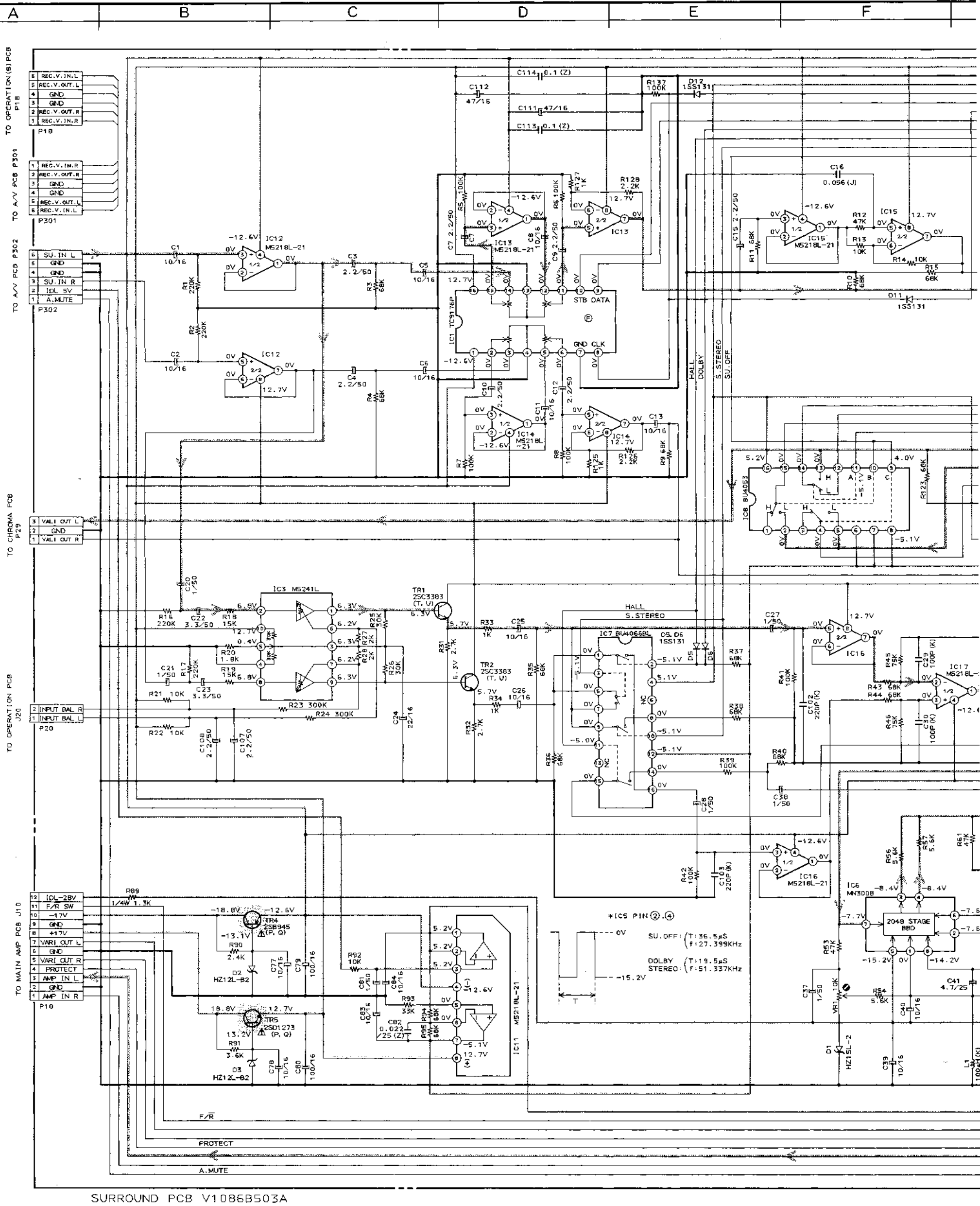
SUB PANEL OPERATE SW BLK

INDICATED VOLTAGE MEASURD IN P.B. MODE.

B (POWER SUPPLY) LINE

NOTE
UNLESS OTHERWISE SPECIFIED
ALL RESISTORS IN OHMS 1/6W (J)
ALL CAPACITORS IN μ F 50WV (J)

VS-75EOG
VS-A77EOG
OPERATION (A) (B) (C)
& VOLUME PCB
SCHEMATIC DIAGRAM
NO.15-7 V108636M
3

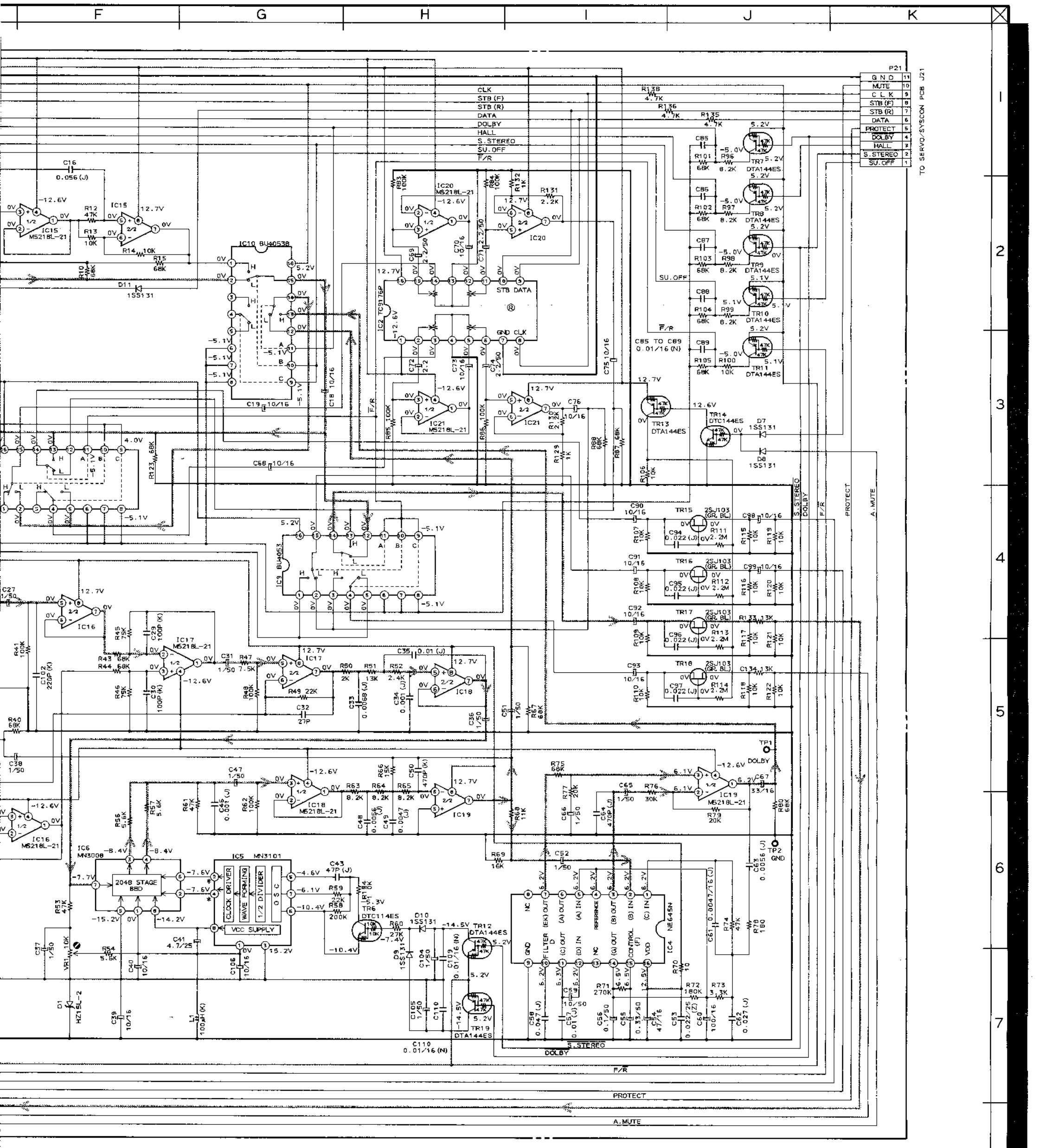


SURROUND PCB V1086B503A

INDICATED VOLTAGE MEASURED IN P.B & SURROUND OFF MODE.

- +B (POWER SUPPLY) LINE
- B (POWER SUPPLY) LINE
- Lch SIGNAL LINE

WARNING: ⚠ AND ⚡ COMPONENTS REPLACE ONLY WITH PARTS
 AVERTISSEMENT: ⚠ ET ⚡ COMPOSANTS POUR MAINTENIR DE L'APPAREIL SEULEMENT AVEC PIÈCES RECOMMANDÉES



P21	
GND	11
MUTE	10
CLK	9
STB (F)	8
STB (R)	7
DATA	6
PROTECT	5
DOLBY	4
HALL	3
S. STEREO	2
SU. OFF	1

WARNING: Δ AND \square INDICATE SAFETY CRITICAL COMPONENTS FOR CONTINUED SAFETY. REPLACE SAFETY CRITICAL COMPONENTS ONLY WITH MANUFACTURER'S RECOMMENDED PARTS

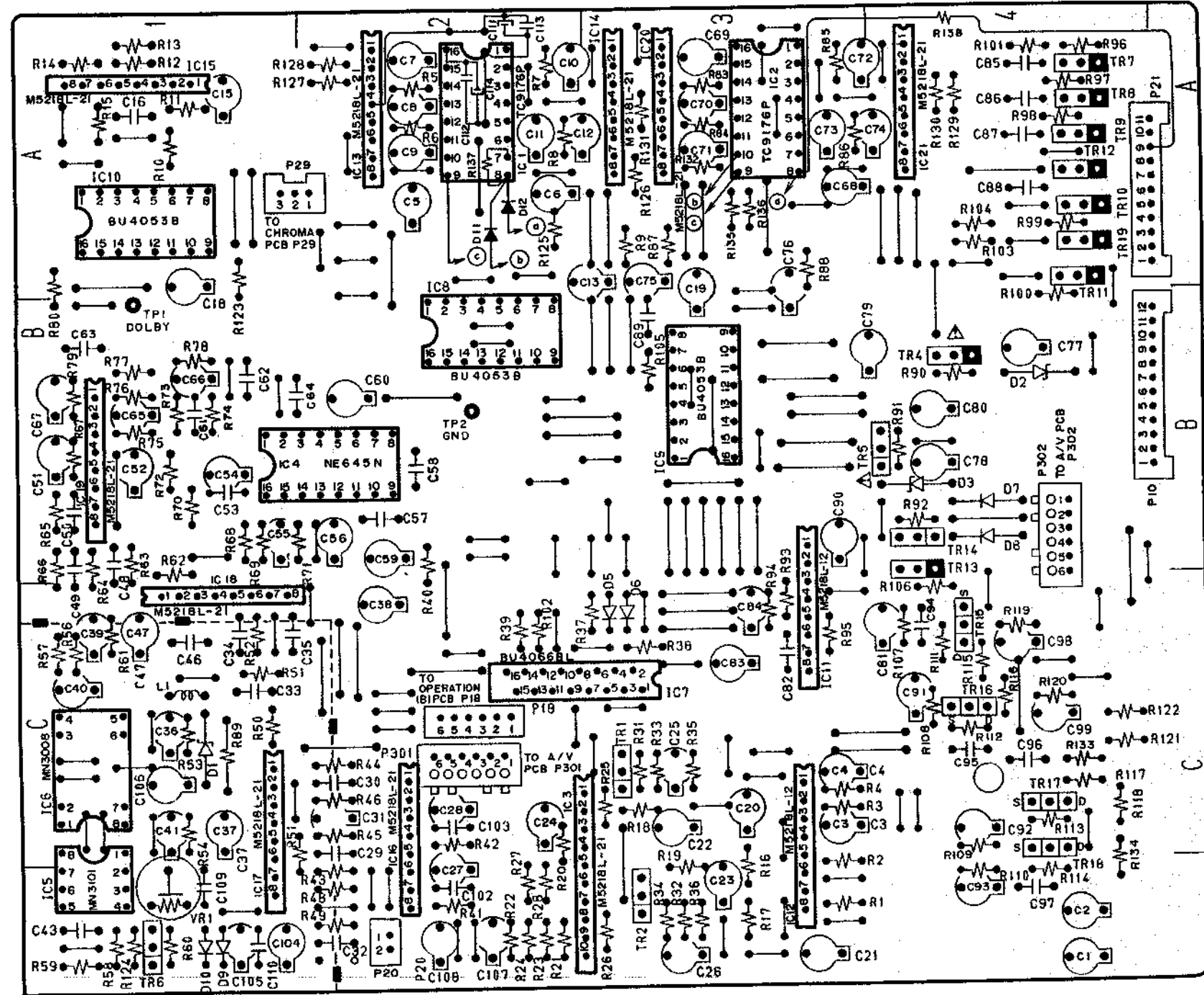
AVERTISSEMENT: Δ ET \square ILS INDIQUENT LES COMPOSANTS CRITIQUES DE SÉCURITÉ. POUR MAINTENIR LE DEGRÉ DE SÉCURITÉ DE L'APPAREIL, NE REMPLACER QUE DES PIÈCES RECOMMANDÉES PAR LE FABRICANT

NOTE
UNLESS OTHERWISE SPECIFIED
ALL RESISTORS IN OHMS 1/8W (J)
ALL CAPACITORS IN μ F 50V (M)

VS-A77EOG
SURROUND PCB
SCHEMATIC DIAGRAM
NO.15-8 V108607F

PRINCIPAL PARTS LOCATION

IC 5	TRANSISTORS
IC 1 A2	TR 1 C3
IC 2 A3	TR 2 D3
IC 3 C,D3	
IC 4 B1,2	TR 4 B4
IC 5 C,D1	TR 5 B4
IC 6 C1	TR 6 D1
IC 7 C2,3	TR 7 A4
IC 8 B2	TR 8 A4
IC 9 B3	TR 9 A4
IC 10 A1	TR 10 A4
IC 11 B,C3	TR 11 A4
IC 12 C,D3	TR 12 A4
IC 13 A2	TR 13 B4
IC 14 A3	TR 14 B4
IC 15 A1	TR 15 C4
IC 16 C,D2	TR 16 C4
IC 17 C,D1	TR 17 C4
IC 18 C1	TR 18 C4
IC 19 B1	TR 19 A4
IC 20 A3	
IC 21 A4	
CONNECTORS	
P10 B4	
P18 C2	
P20 D2	
P21 A4	
P29 A1,2	
P301 C2	
P302 B,C4	



SURROUND PCB VI0868503A

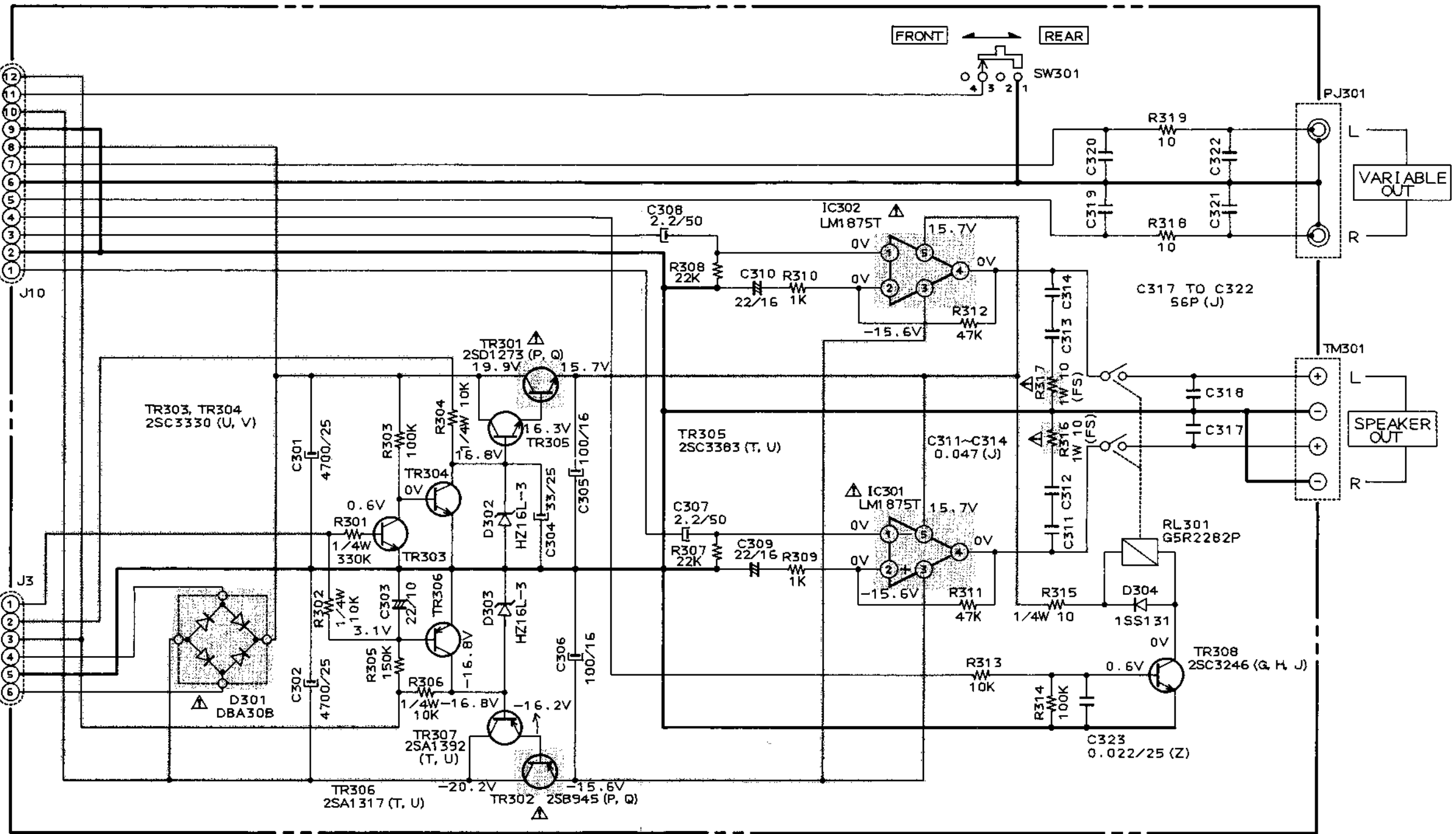
WARNING: Δ INDICATES SAFETY CRITICAL COMPONENTS FOR CONTINUED SAFETY. REPLACE SAFETY CRITICAL COMPONENTS ONLY WITH MANUFACTURER'S RECOMMENDED PARTS.

AVERTISSEMENT: Δ IL INDIQUE LES COMPOSANTS CRITIQUES DE SÉCURITÉ. POUR MAINTENIR LE DEGRÉ DE SÉCURITÉ DE L'APPAREIL, NE REMPLACER QUE DES PIÈCES RECOMMANDÉES PAR LE FABRICANT.

- | | | | |
|--------------------------------|----------|----------------|----------|
| | 2SJ103 | | 2SC3383 |
| | 2SB945 | | DTA144ES |
| | 2SD1273 | | DTC144ES |
| TR 1, 2 | 2SC3383 | | |
| TR 4 | 2SB945 | | |
| TR 5 | 2SD1273 | | |
| TR 6, 14 | DTC144ES | | |
| TR 7, 8, 9, 10, 11, 12, 13, 19 | DTA144ES | | |
| TR 15, 16, 17, 18 | 2SJ103 | | |
| S | D | FET | |
| B | | PNP TRANSISTOR | |
| B | | NPN TRANSISTOR | |

TO SURROUND PCB P10
 12 IDL -28V
 11 F/R SW
 10 -17V
 9 GND
 8 +17V
 7 VARI OUT L
 6 GND
 5 VARI OUT R
 4 PROTECT
 3 AMP IN L
 2 GND
 1 AMP IN R

TO POWER PCB P3
 1 ALSV
 2 IDL +33V
 3 IDL -28V
 4 AC 17V
 5 C.T
 6 AC 17V



MAIN AMP PCB V1086B503B

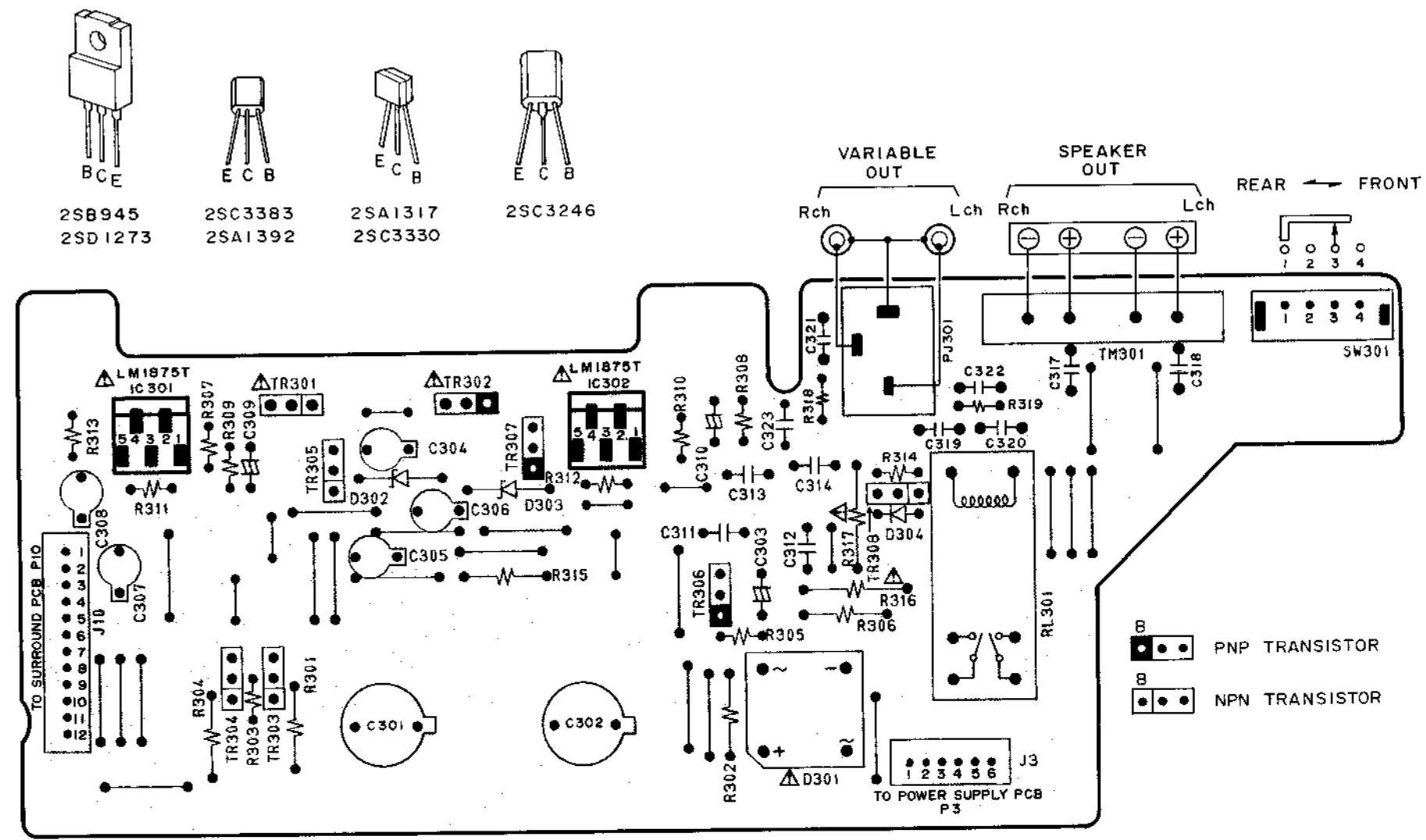
WARNING: Δ AND \square INDICATE SAFETY CRITICAL COMPONENTS FOR CONTINUED SAFETY, REPLACE SAFETY CRITICAL COMPONENTS ONLY WITH MANUFACTURER'S RECOMMENDED PARTS

AVERTISSEMENT: Δ ET \square , ILS INDIQUENT LES COMPOSTANTS CRITIQUES DE SÉCURITÉ, POUR MAINTENIR LE DEGRÉ DE SÉCURITÉ DE L'APPAREIL, NE REMPLACER QUE DES PIÈCES RECOMMANDÉES PAR LE FABRICANT

B (POWER SUPPLY) LINE

NOTE
 UNLESS OTHERWISE SPECIFIED
 ALL RESISTORS IN OHMS 1/5W(J)
 ALL CAPACITORS IN μ F 50WV(M)

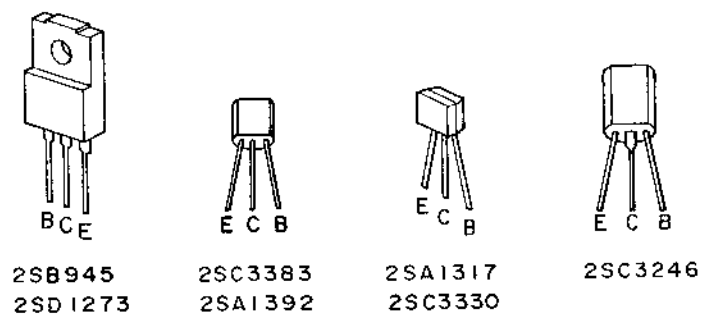
VS-A77EOG
 MAIN AMP PCB
 SCHEMATIC DIAGRAM
 NO.15-9 V108638M

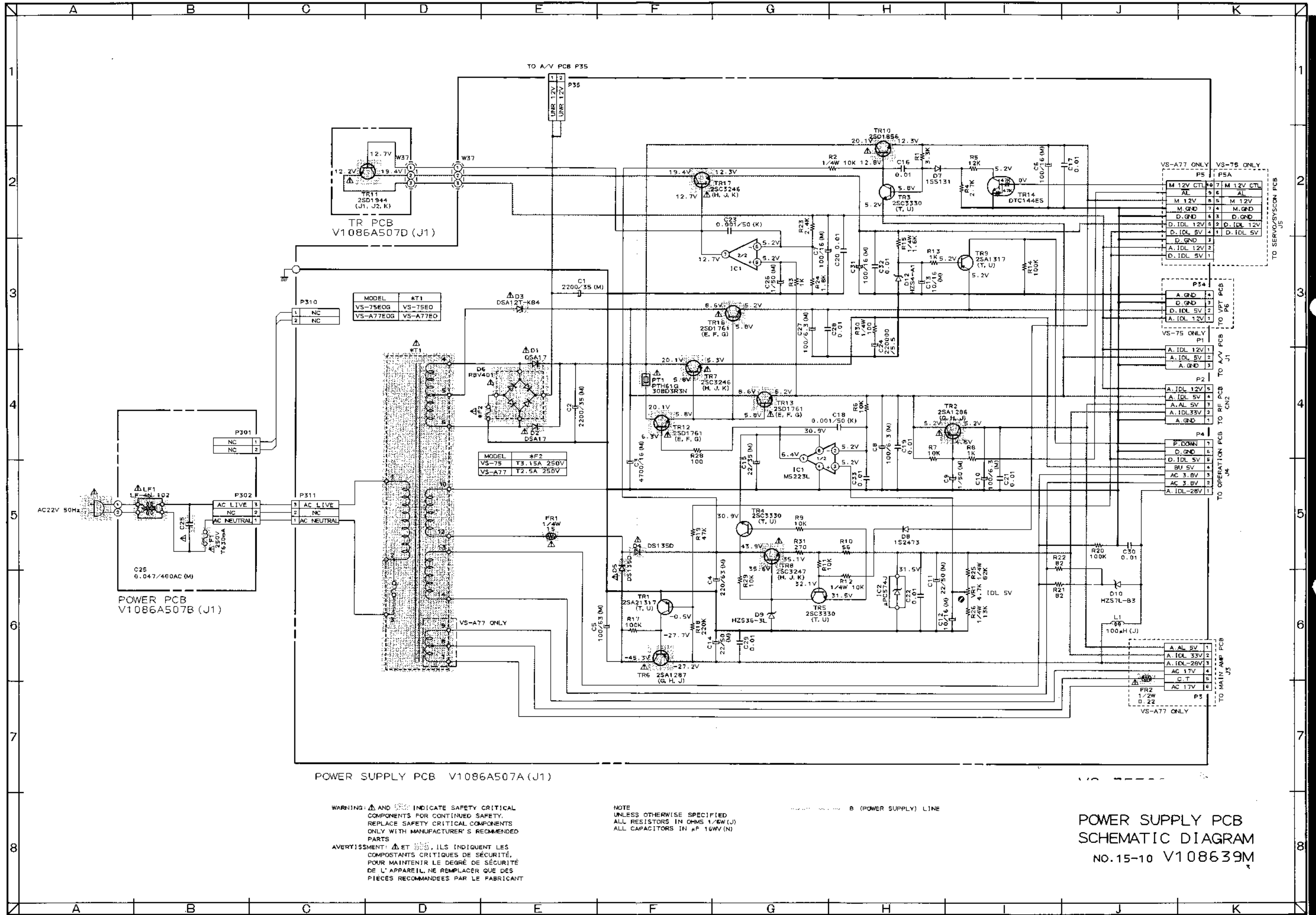


MAIN AMP PCB V1086B503B

WARNING: ▲ INDICATES SAFETY CRITICAL COMPONENTS. FOR CONTINUED SAFETY, REPLACE SAFETY CRITICAL COMPONENTS ONLY WITH MANUFACTURER'S RECOMMENDED PARTS.

AVERTISSEMENT: ▲ ILL INDIQUE LES COMPOSANTS CRITIQUES DE SÉCURITÉ. POUR MAINTENIR LE DEGRÉ DE SÉCURITÉ DE L'APPAREIL, NE REMPLACER QUE DES PIÈCES RECOMMANDÉES PAR LE FABRICANT.



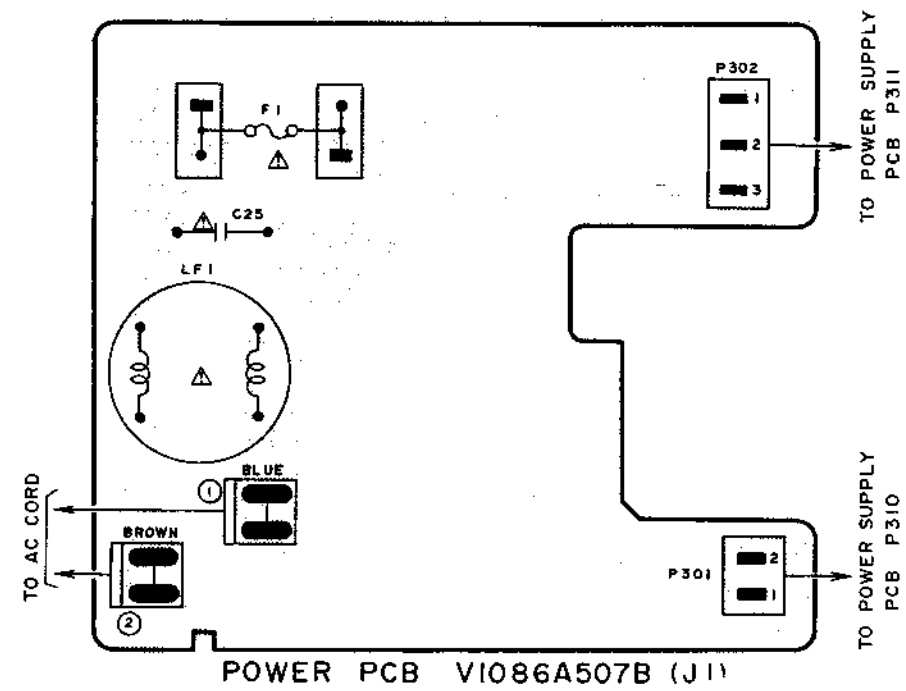


WARNING: Δ AND \square INDICATE SAFETY CRITICAL COMPONENTS FOR CONTINUED SAFETY. REPLACE SAFETY CRITICAL COMPONENTS ONLY WITH MANUFACTURER'S RECOMMENDED PARTS

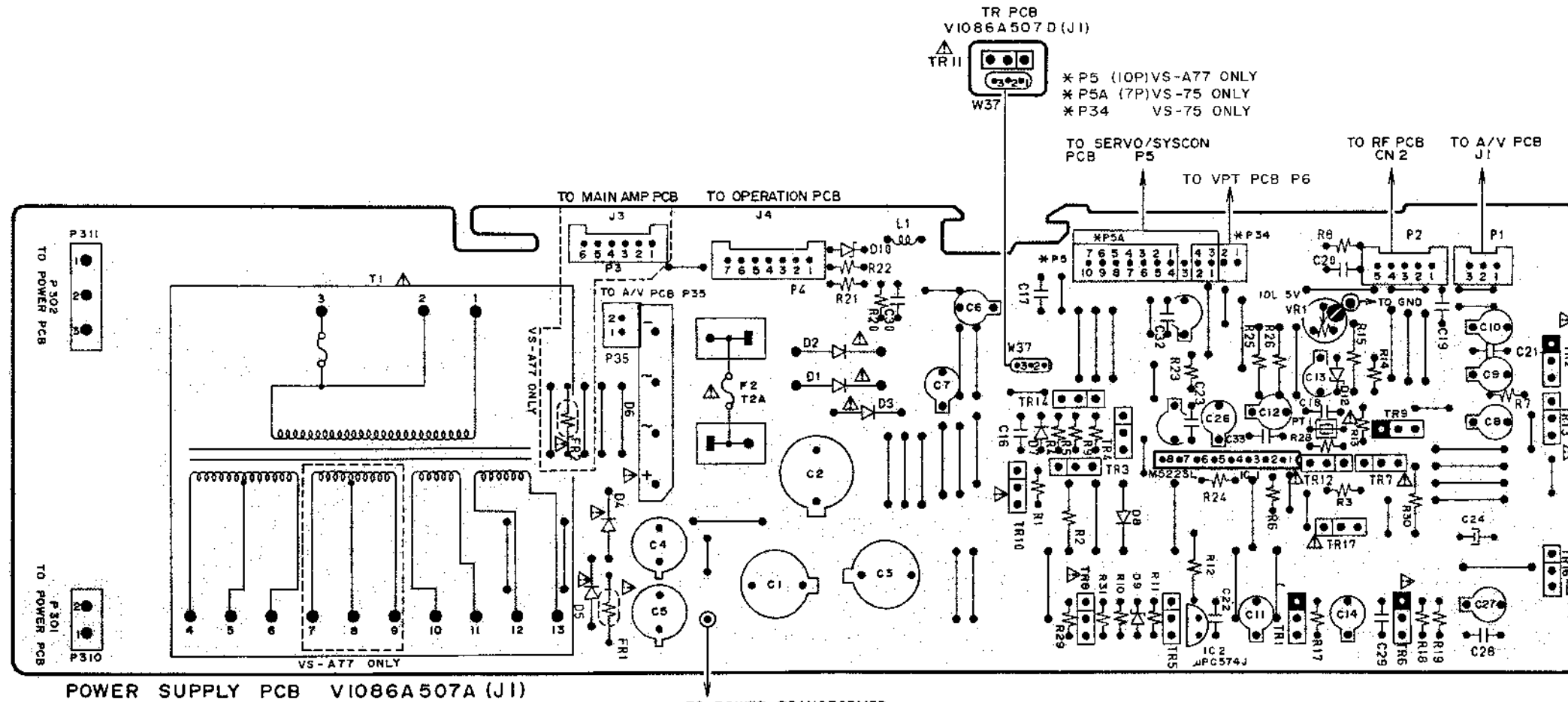
AVERTISSEMENT: Δ ET \square ILS INDICENT LES COMPOSTANTS CRITIQUES DE SÉCURITÉ. POUR MAINTENIR LE DEGRÉ DE SÉCURITÉ DE L'APPAREIL, NE REMPLACER QUE DES PIÈCES RECOMMANDÉES PAR LE FABRICANT

NOTE: UNLESS OTHERWISE SPECIFIED ALL RESISTORS IN OHMS 1/6W (J) ALL CAPACITORS IN μF 16WV (N)

POWER SUPPLY PCB SCHEMATIC DIAGRAM NO.15-10 V108639M



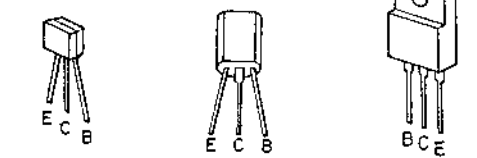
WARNING: Δ INDICATES SAFETY CRITICAL COMPONENTS. FOR CONTINUED SAFETY, REPLACE SAFETY CRITICAL COMPONENTS ONLY WITH MANUFACTURER'S RECOMMENDED PARTS.
 AVERTISSEMENT: Δ IL INDIQUE LES COMPOSANTS CRITIQUES DE SÉCURITÉ. POUR MAINTENIR LE DEGRÉ DE SÉCURITÉ DE L'APPAREIL, NE REMPLACER QUE DES PIÈCES RECOMMANDÉES PAR LE FABRICANT.



TR PCB V1086A507 D (J1)
 TR II
 W37
 * P5 (10P) VS-A77 ONLY
 * P5A (7P) VS-75 ONLY
 * P34 VS-75 ONLY

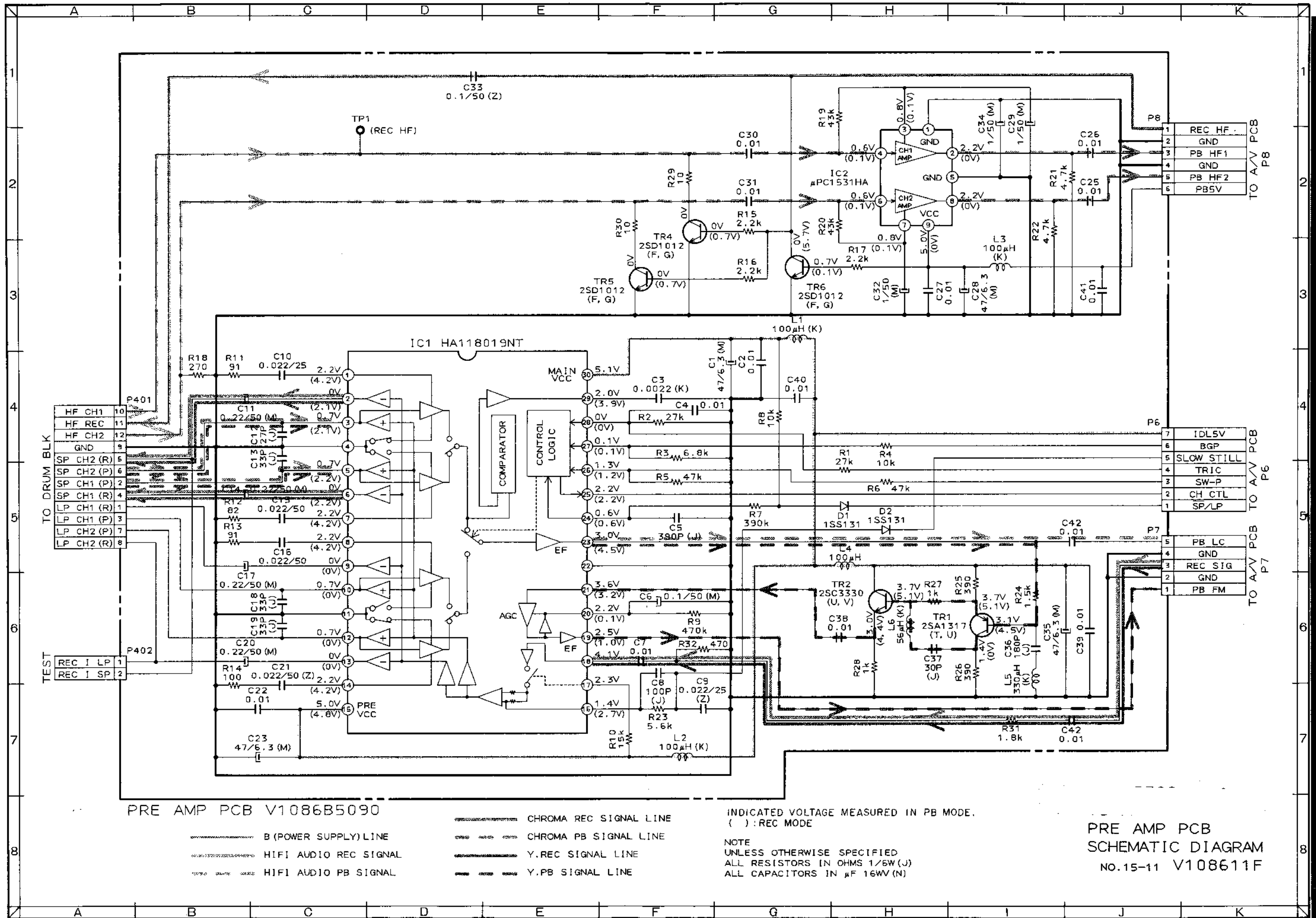
POWER SUPPLY PCB V1086A507A (J1)

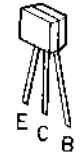
Δ PNP TRANSISTOR
 Δ NPN TRANSISTOR



- | | | |
|----------|---------|---------|
| 2SA1317 | 2SA1286 | 2SD1761 |
| 2SC3330 | 2SA1287 | 2SD1944 |
| DTC144ES | 2SC3246 | |
| | 2SC3247 | |

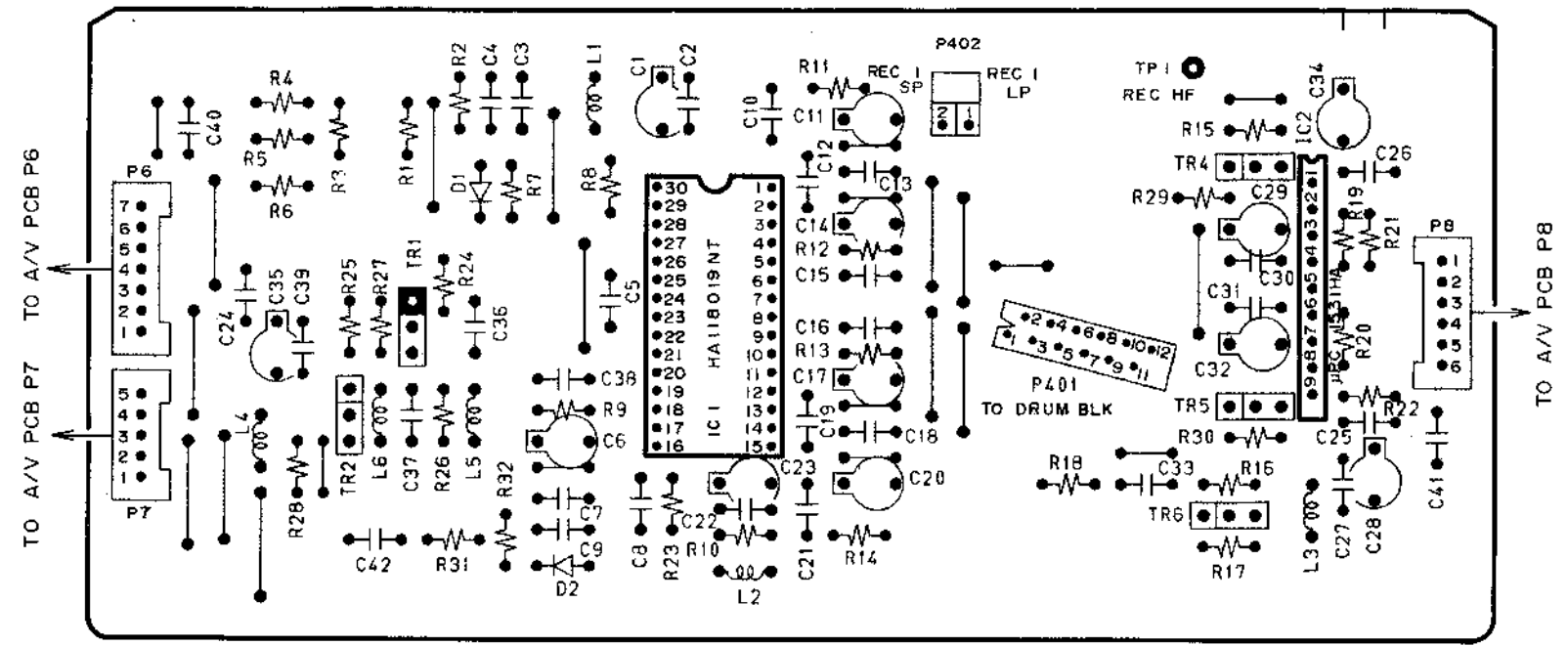
- | | |
|--------------|----------|
| TR1 | 2SA1317 |
| TR2 | 2SA1286 |
| TR3, 4, 5 | 2SC3330 |
| TR6 | 2SA1287 |
| TR7, 17 | 2SC3246 |
| TR8 | 2SC3247 |
| TR9 | 2SA1317 |
| TR10 | 2SD1944 |
| TR12, 13, 16 | 2SD1761 |
| TR14 | DTC144ES |



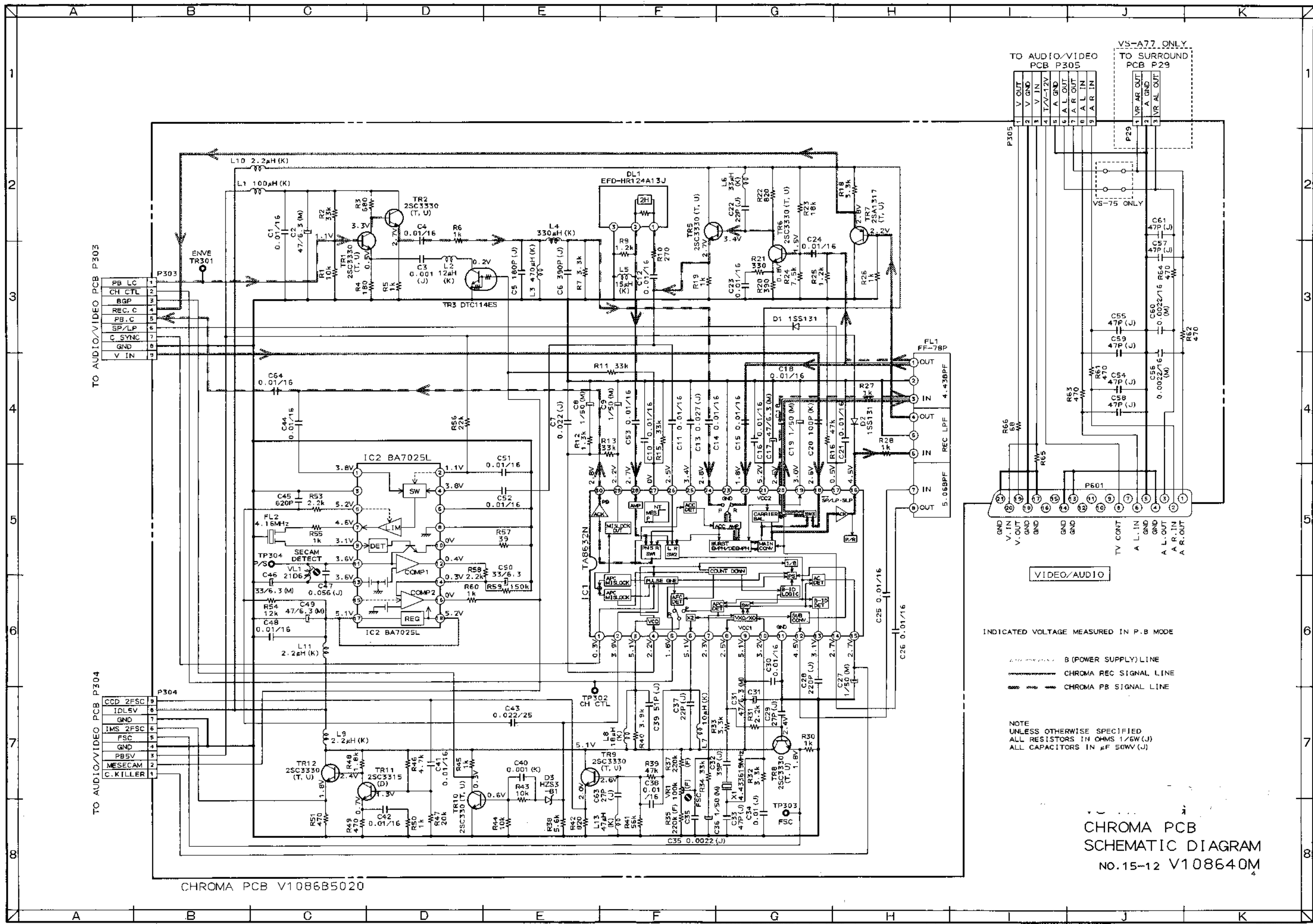


TR1---2SA1317
 TR2---2SC3330
 TR4~6--2SD1012

PNP TRANSISTOR
 NPN TRANSISTOR

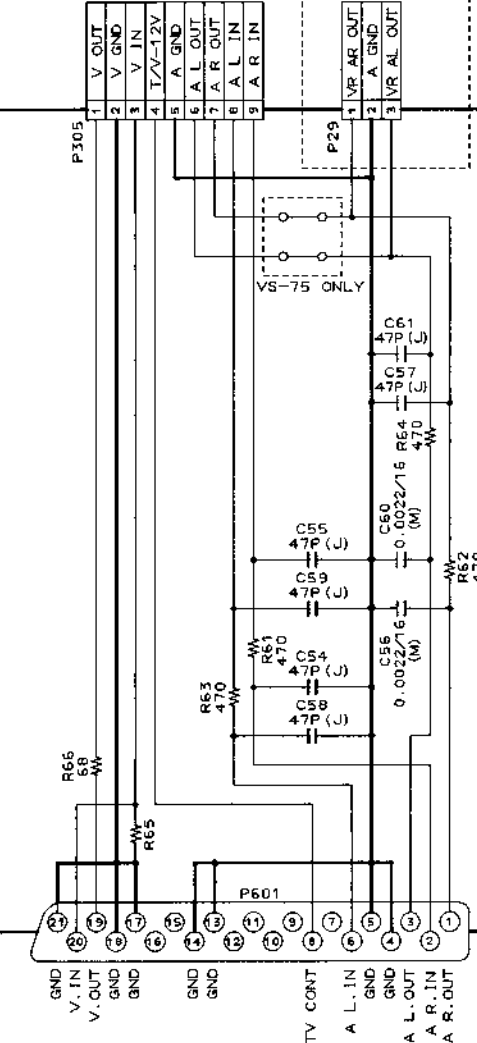


PRE AMP PCB V1086B5090



CHROMA PCB V1086B5020

TO AUDIO/VIDEO PCB P305
TO SURROUND PCB P29



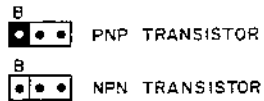
VIDEO/AUDIO

INDICATED VOLTAGE MEASURED IN P.B MODE

- B (POWER SUPPLY) LINE
- CHROMA REC SIGNAL LINE
- CHROMA PB SIGNAL LINE

NOTE
UNLESS OTHERWISE SPECIFIED
ALL RESISTORS IN OHMS 1/6W(J)
ALL CAPACITORS IN μF 50WV(J)

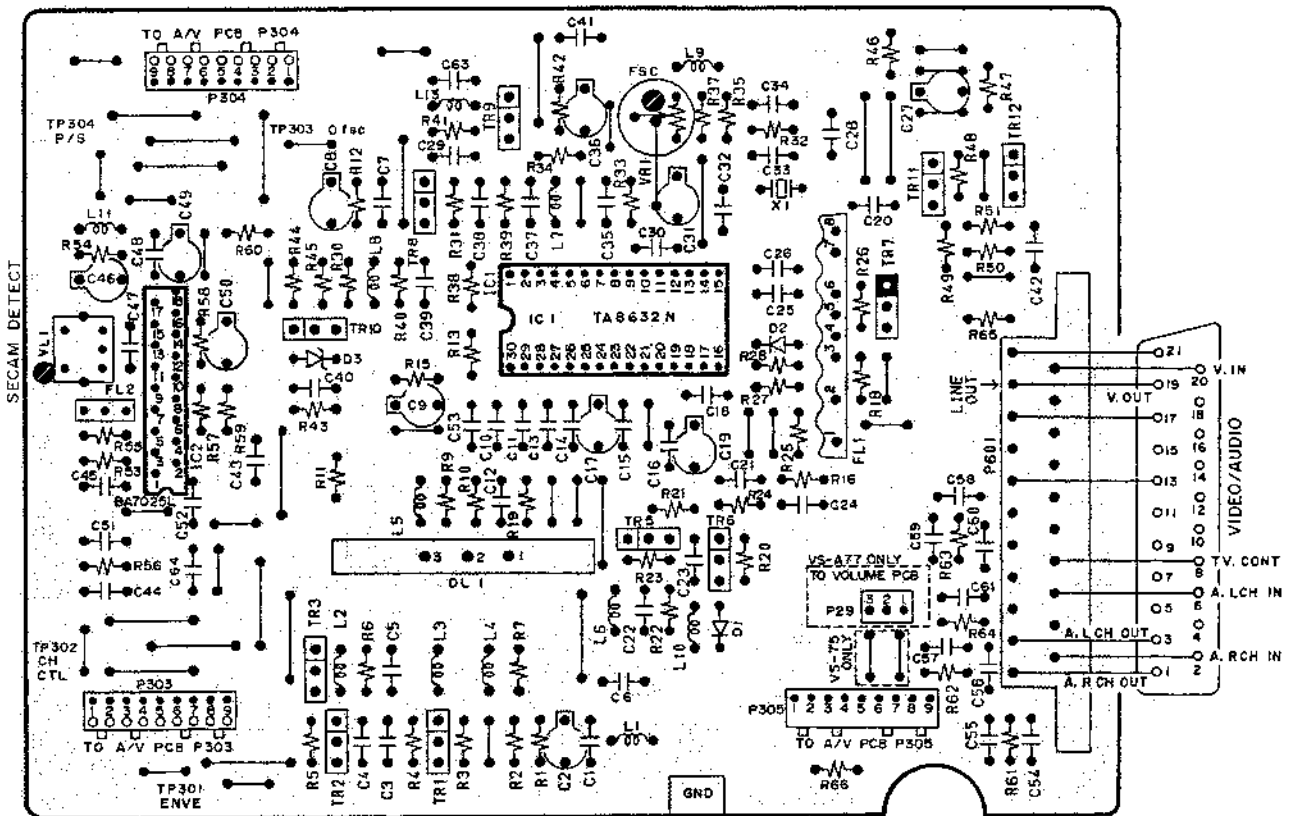
CHROMA PCB
SCHEMATIC DIAGRAM
NO.15-12 V108640M



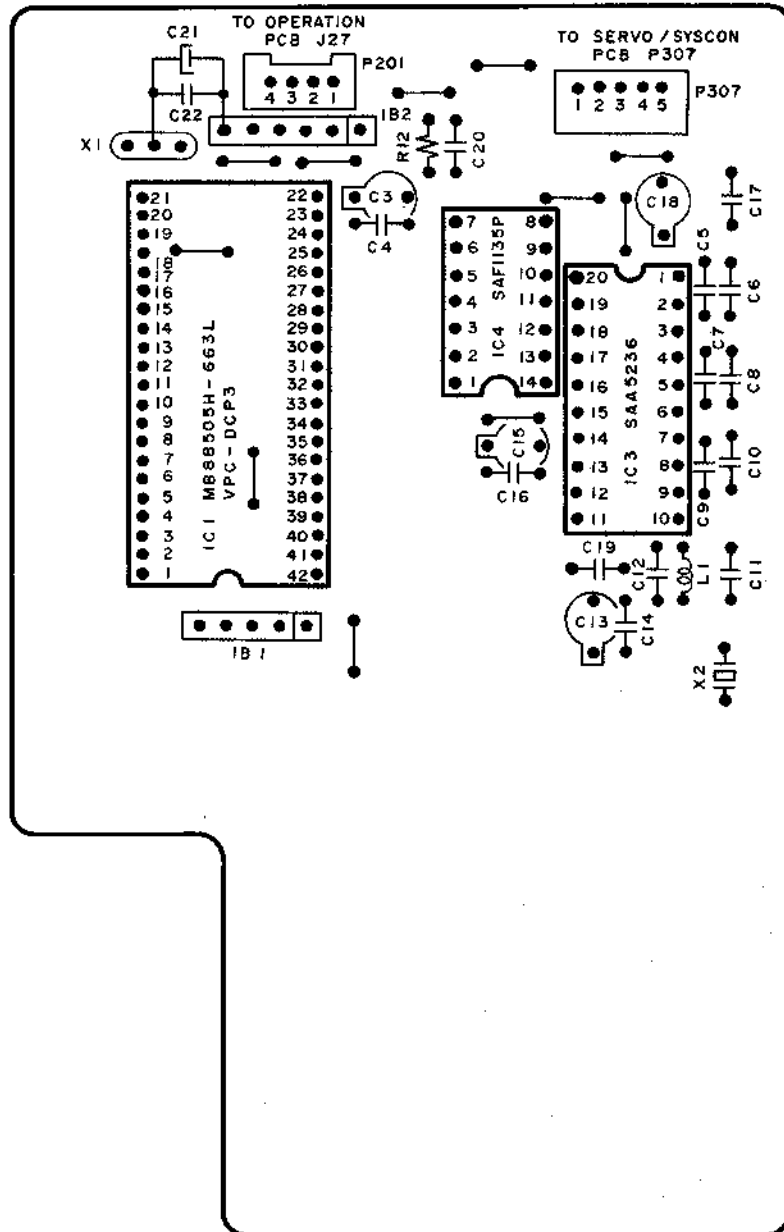
TR1,2,5,6
 8,9,10,12 --- 2SC3330
 TR3 --- DTC114ES
 TR7 --- 2SA1317
 TR11 --- 2SC3315

2SA1317
 2SC3330
 DTC114ES

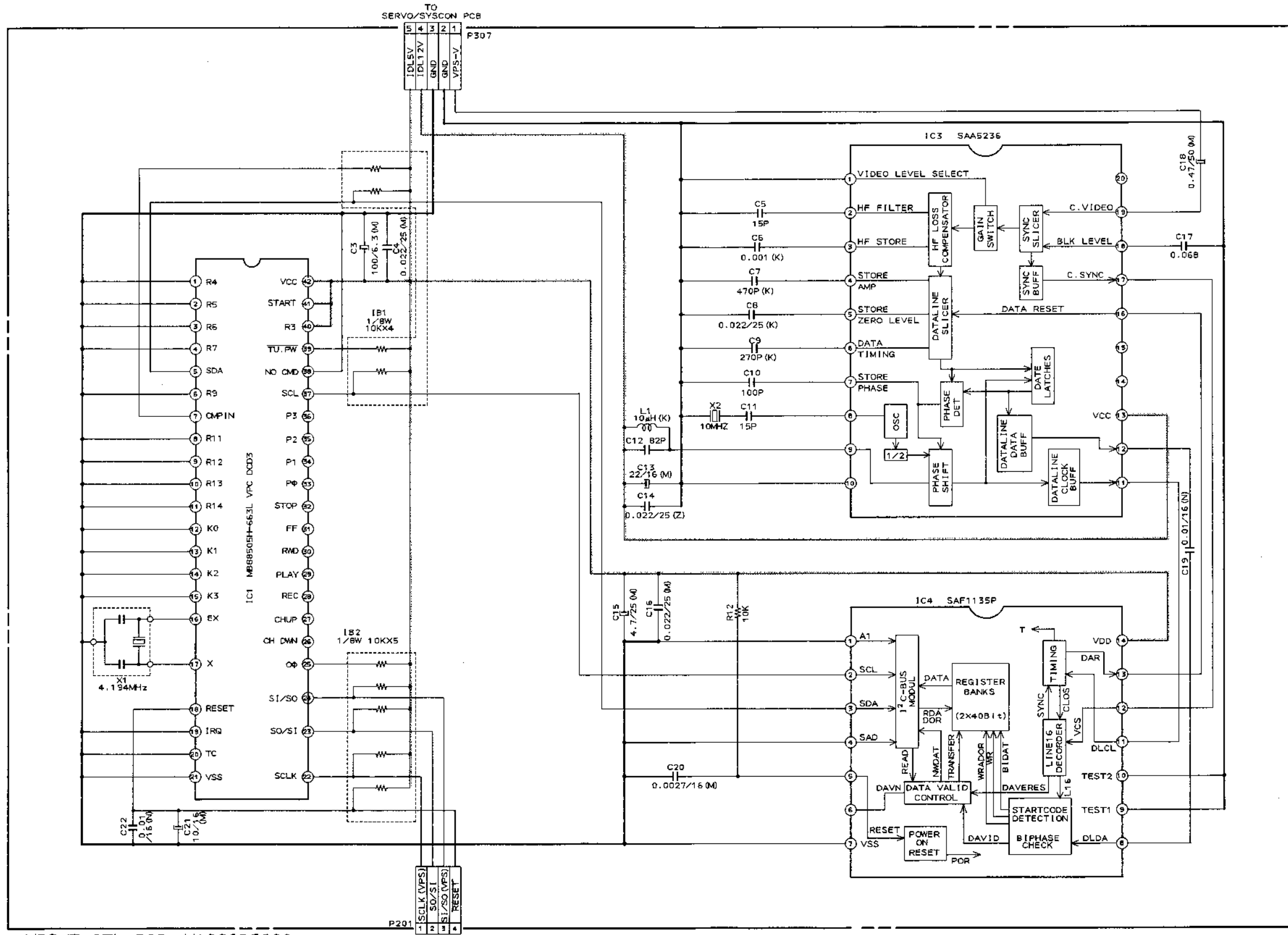
2SC3315



CHROMA PCB V1086B5020



VPS/T-CTL PCB
VI086B5200



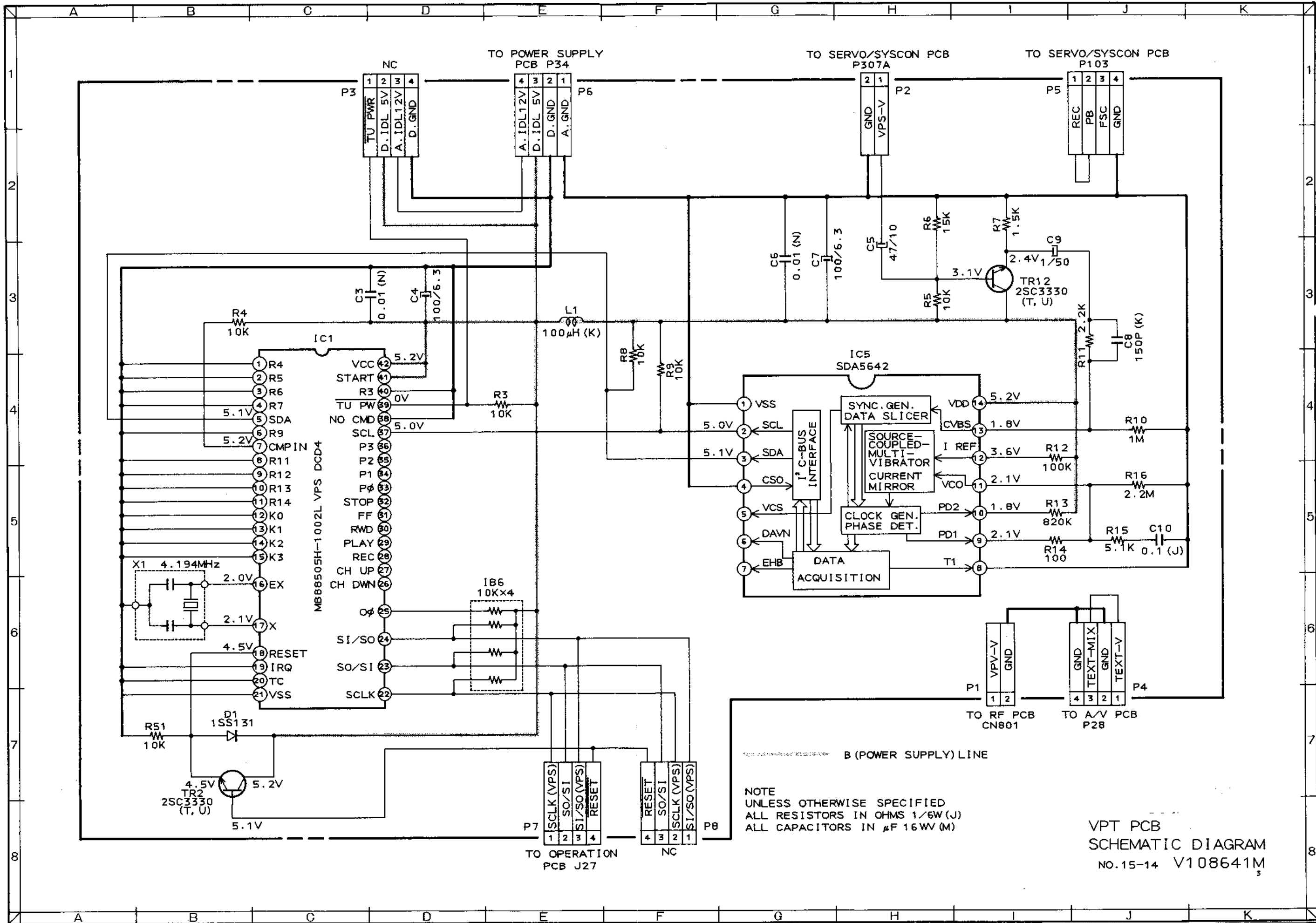
VPS/T.CTL PCB V1086B5200

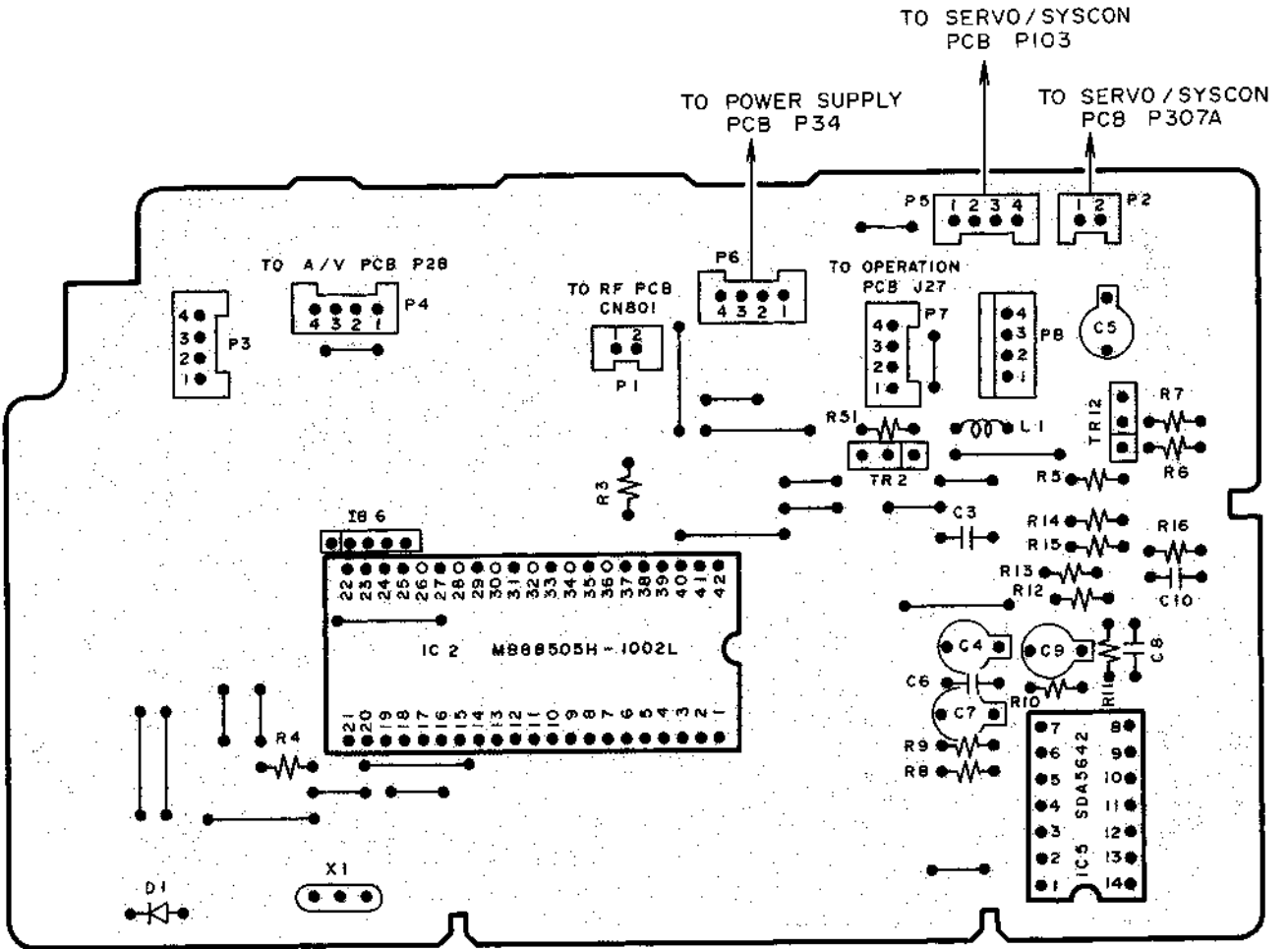
TO OPERATION PCB P201

B (POWER SUPPLY) LINE

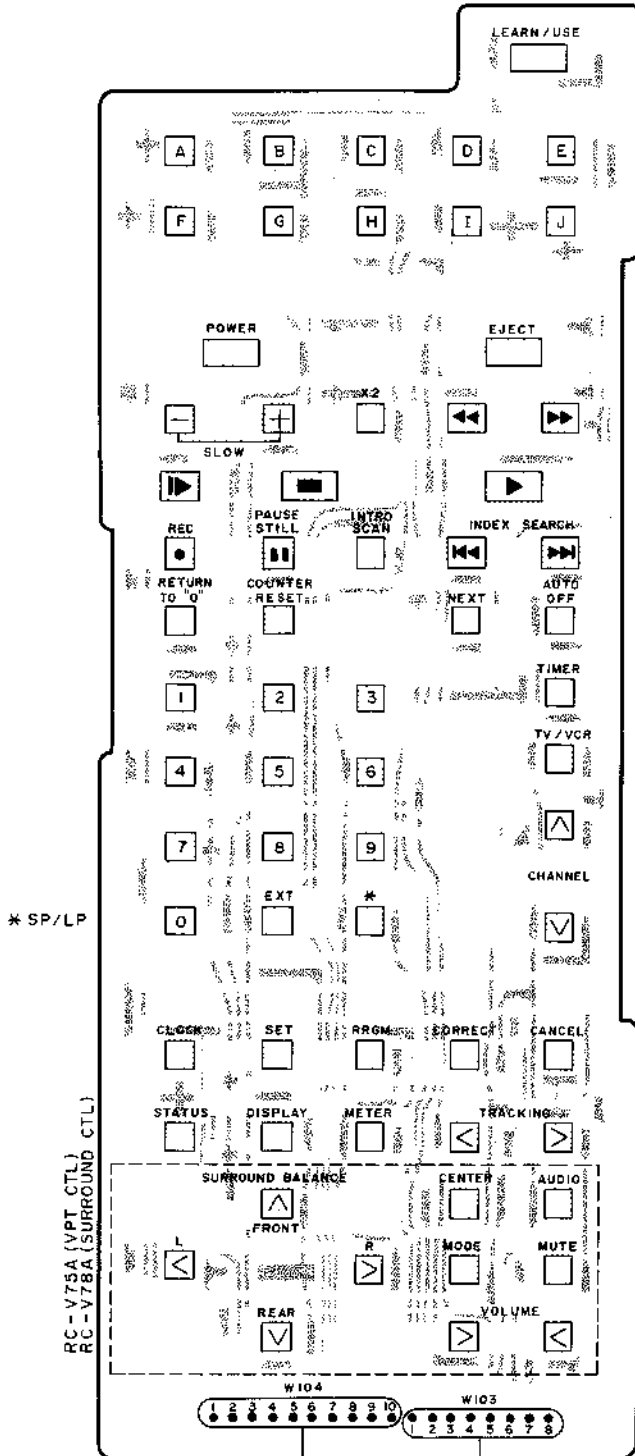
NOTE
 UNLESS OTHERWISE SPECIFIED
 ALL RESISTORS IN OHMS 1/6W (J)
 ALL CAPACITORS IN uF 50WV (J)

VPS/T-CTL PCB
 SCHEMATIC DIAGRAM
 NO.15-13 V108610F

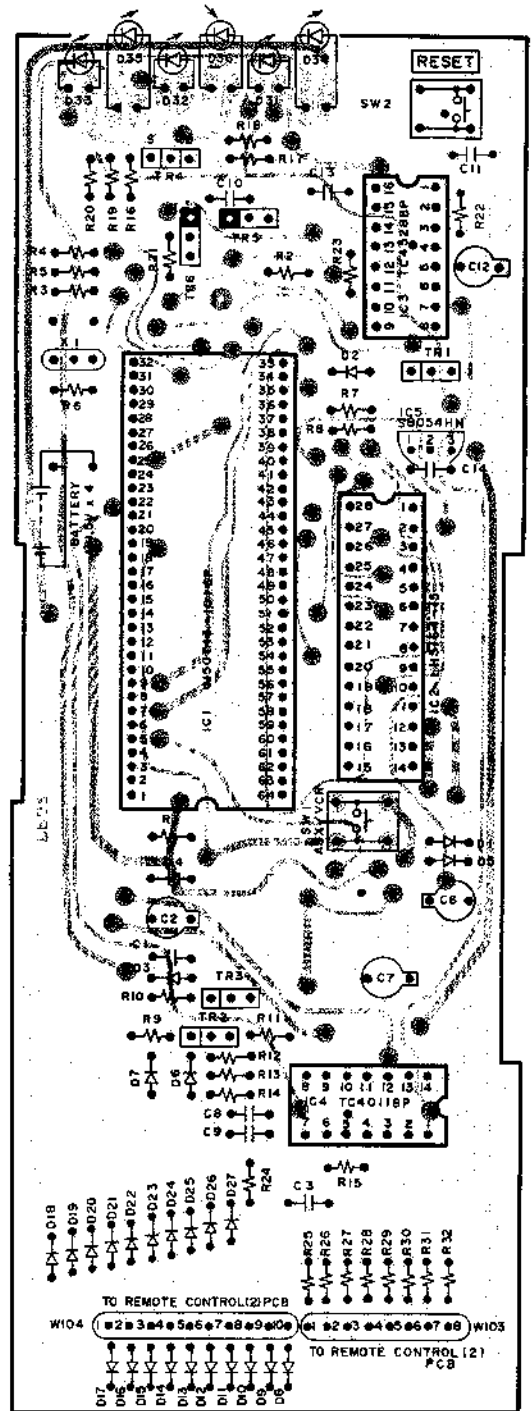




VPT PCB V1086B516A

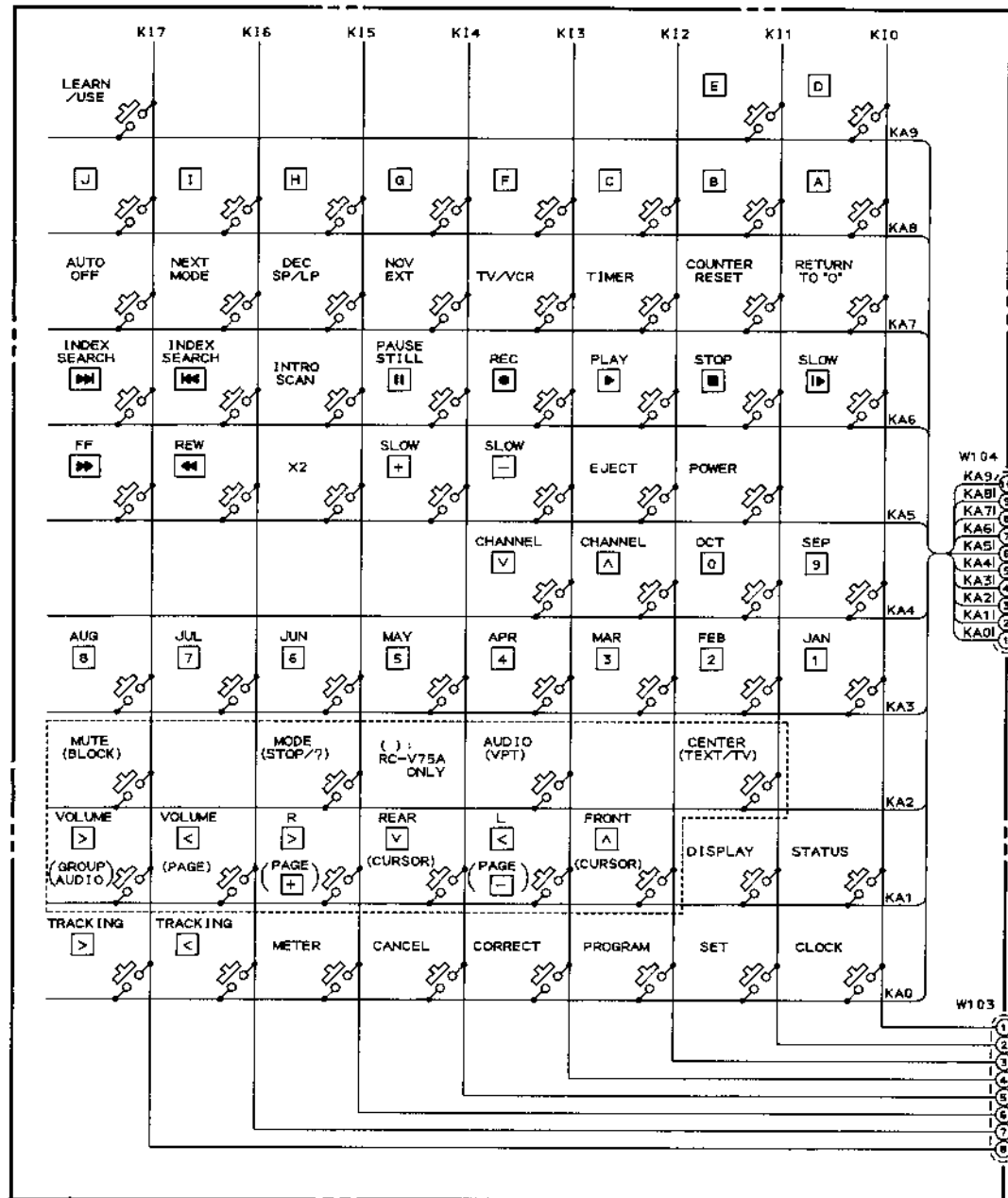


TO REMOTE CONTROL (1) PCB
 REMOTE CONTROL (2) PCB
 N4004B5020

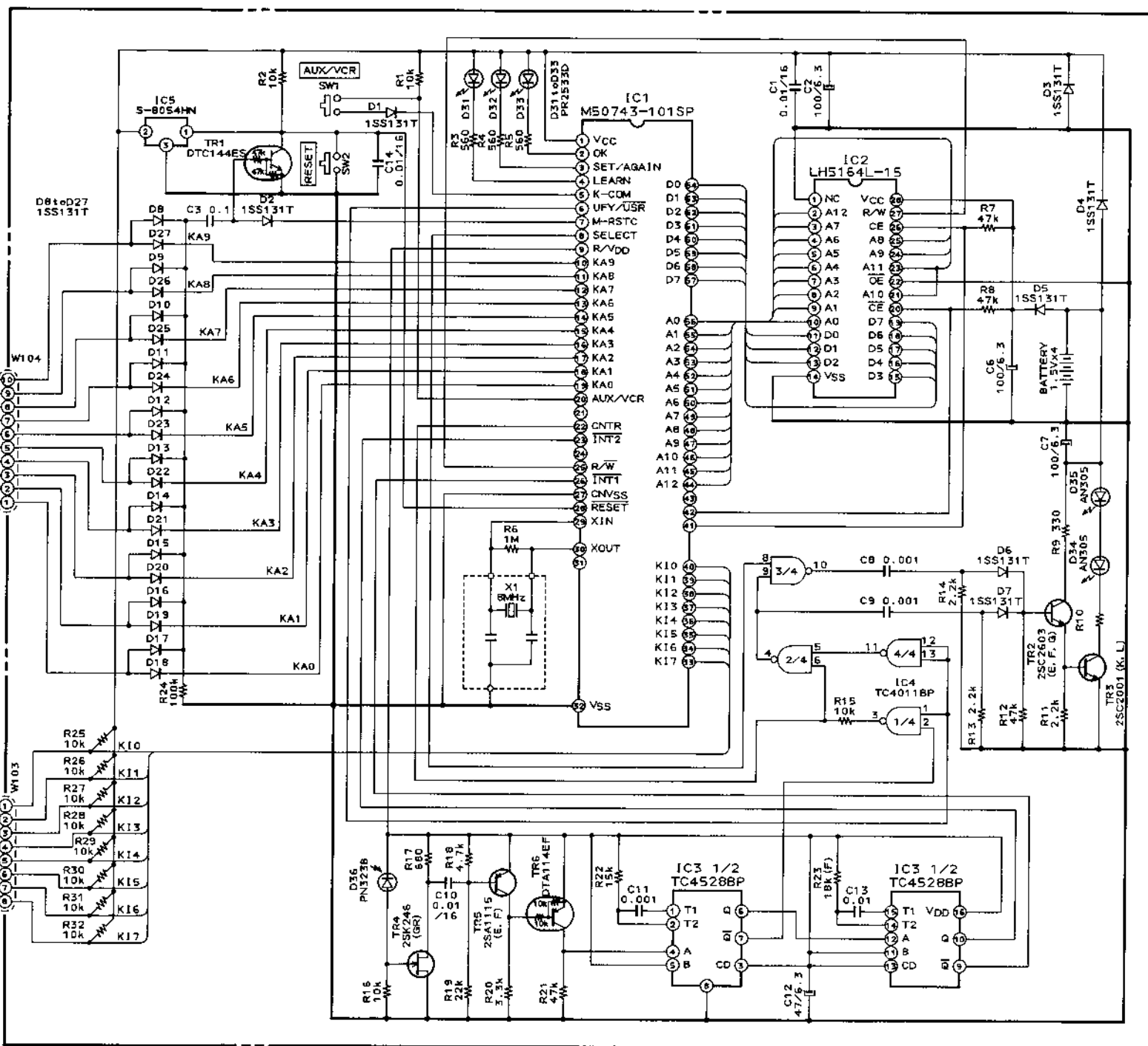


REMOTE CONTROL (1) PCB
 N4004B5010(J1)

- S D
 FET
- B
 PNP TRANSISTOR
- B
 NPN TRANSISTOR



REMOTE CONTROL (2) PCB N4004B5020

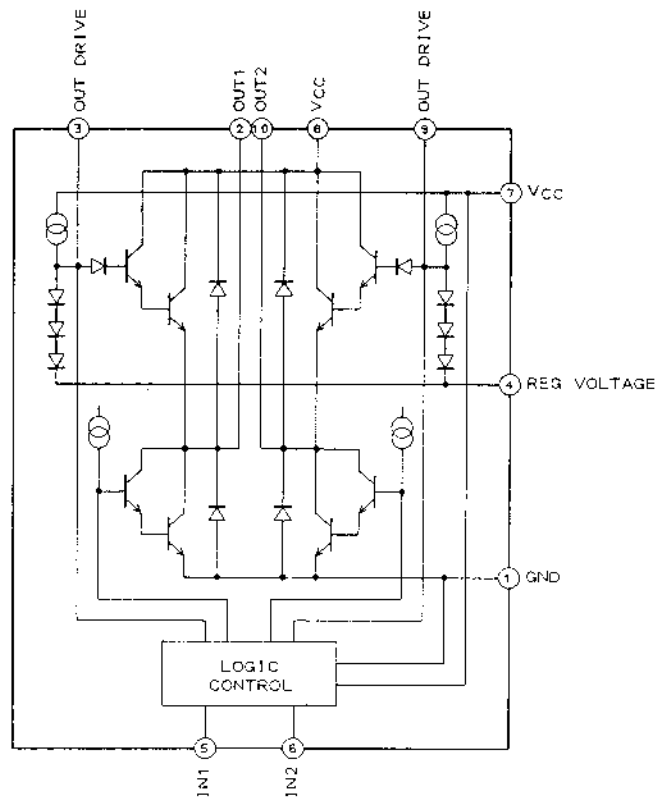


REMOTE CONTROL (1) PCB N4004B5010(J1)

NOTE
UNLESS OTHERWISE SPECIFIED
ALL RESISTORS IN OHMS 1/6W(J)
ALL CAPACITORS IN μ F 50V(J)

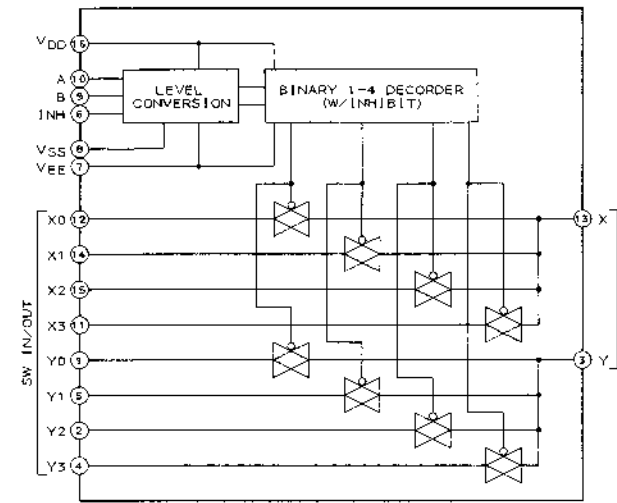
RC-V75
RC-V78
REMOTE CONTROL UNIT
SCHEMATIC DIAGRAM
NO.15-15 V108643M

BA6229 (BI-DIRECTIONAL MOTOR DRIVER)



INPUT		OUTPUT		MODE
(5)	(6)	(2)	(10)	
H	H	L	L	BRAKE
L	H	L	H	CASSETTE & TAPE LOADING
H	L	H	L	CASSETTE & TAPE UNLOADING
L	L	OPEN	OPEN	STOP

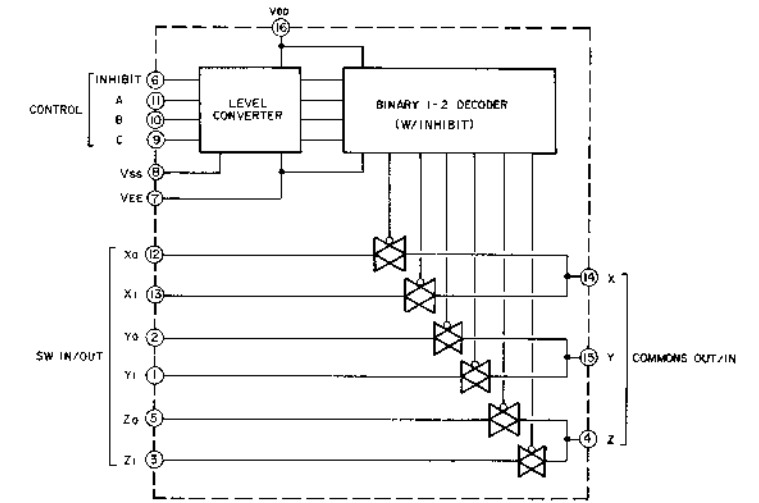
BU4052B (DUAL 4CH. MULTIPLEXER/DEMULTIPLEXER)



TRUTH TABLE

CONTROL DATE	'OM' CHANNEL	
INH A B	X	Y
L L L	X0	Y0
L L H	X1	Y1
L H L	X2	Y2
L H H	X3	Y3
H * *	NONE	NONE

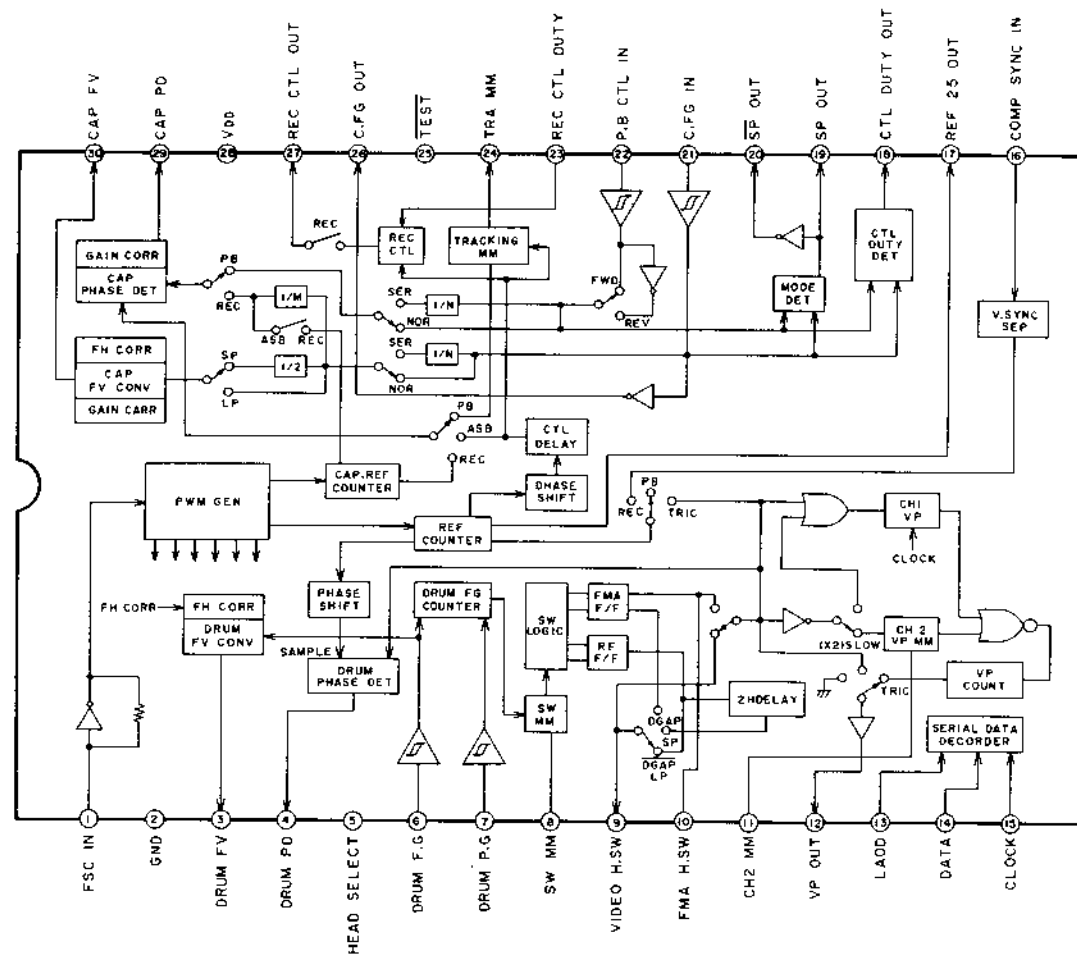
BU4053B (TRIPLE 2CH. MULTIPLEXER/DEMULTIPLEXER)



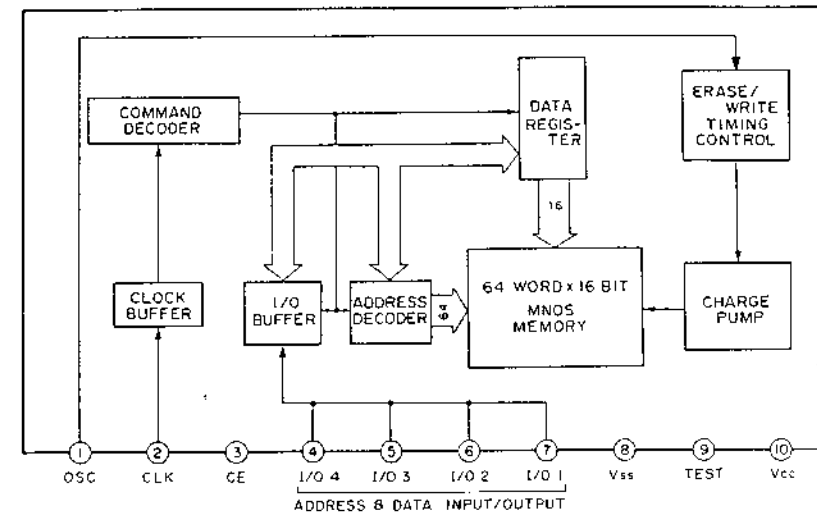
TRUTH TABLE

CONTROL DATE	'OM' CHANNEL		
INH A B C	X	Y	Z
L L L L	X0	Y0	Z0
L L L H	X0	Y0	Z1
L L H L	X0	Y1	Z0
L L H H	X0	Y1	Z1
L H L L	X1	Y0	Z0
L H L H	X1	Y0	Z1
L H H L	X1	Y1	Z0
L H H H	X1	Y1	Z1
H * * *	NONE	NONE	NONE

BU2753S (DIGITAL SERVO)



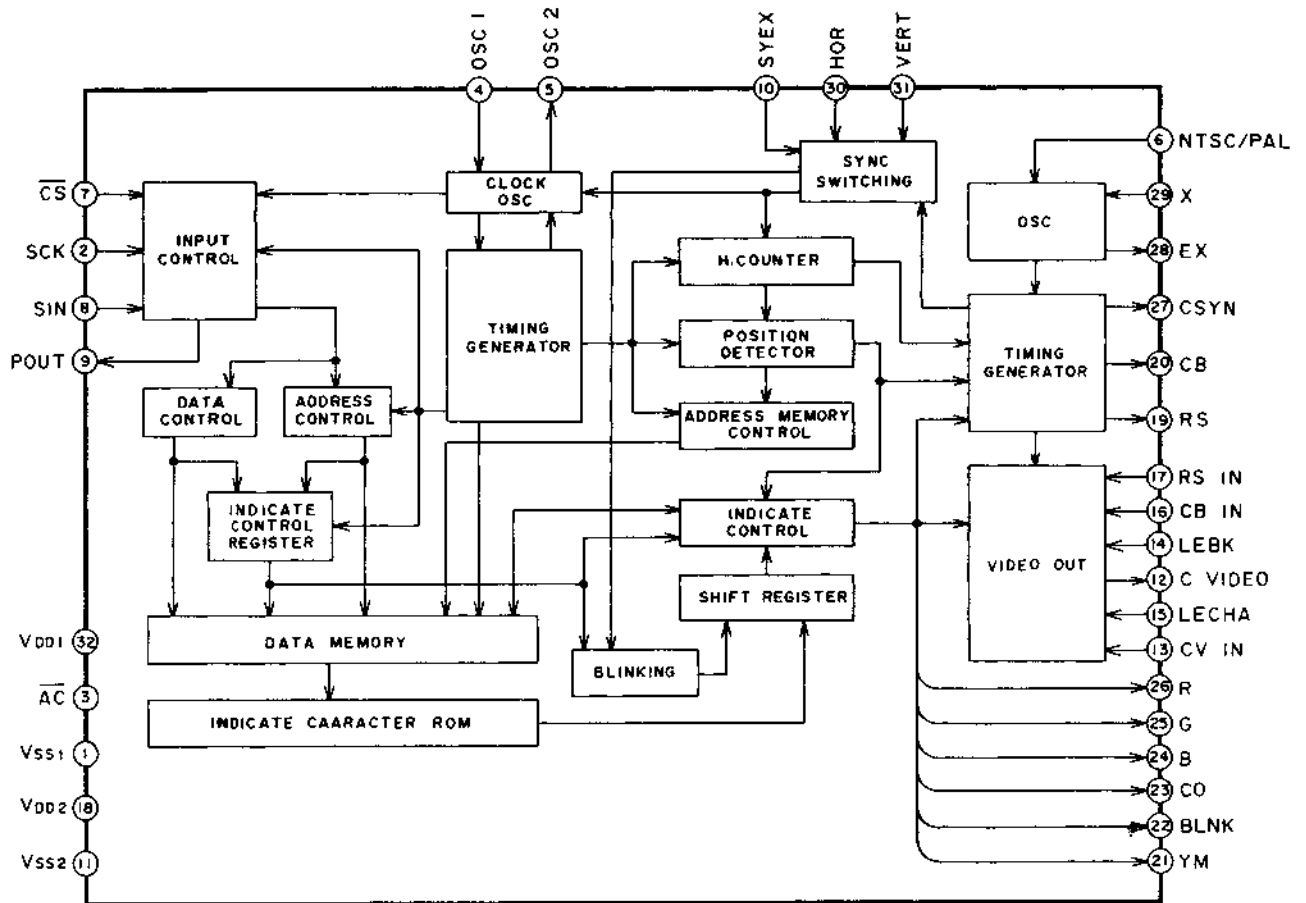
CXK1008L (NON VOLATILE RAM)



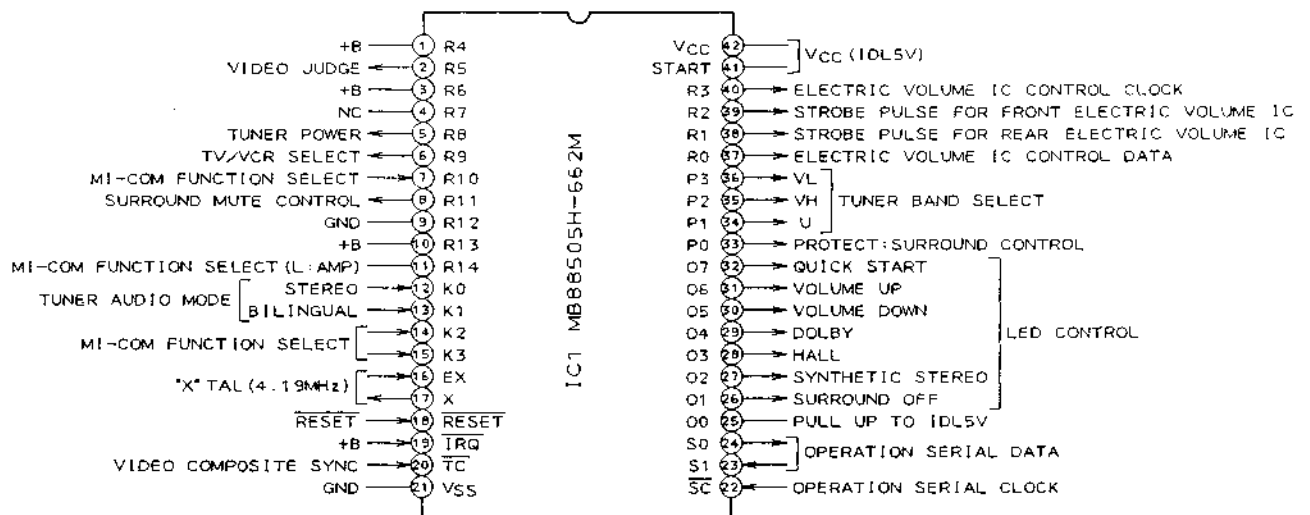
LH5164L-15 (8192WORD x 8 BIT CMOS STATIC RAM)

SYMBOL	PORT NAME
A0~A12	ADDRESS INPUTS
R/W	READ/WRITE INPUT
OE	OUTPUT ENABLE INPUT
CE	CHIP ENABLE INPUT
D0~D7	DATA IN/OUTPUT
VDD	+5
GND	GROUND

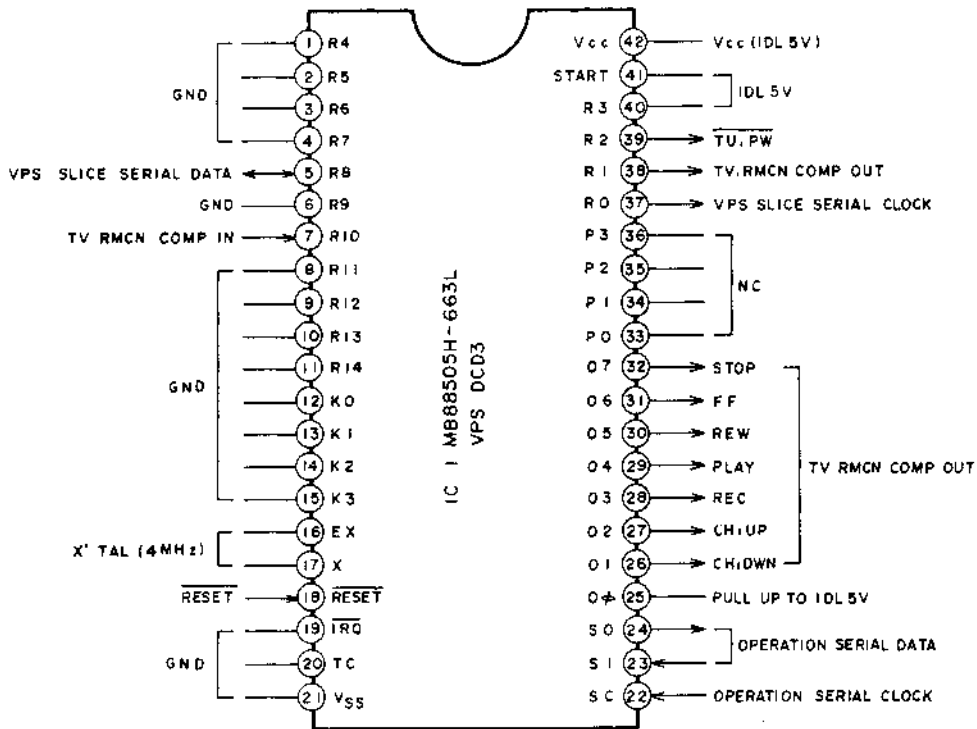
M50455-084SP (CHARACTOR GENERATOR)



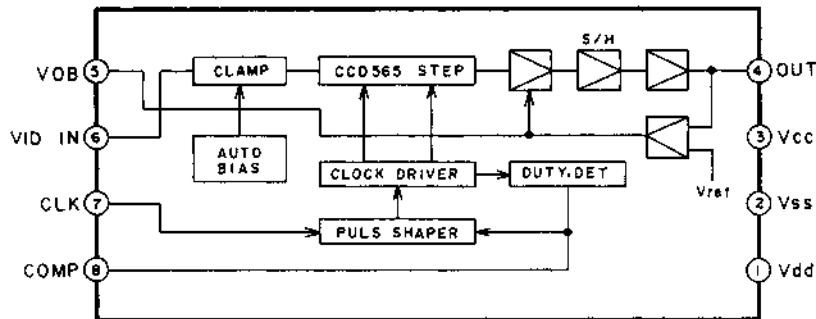
MB88505H-662H (AUDIO MI-COM)



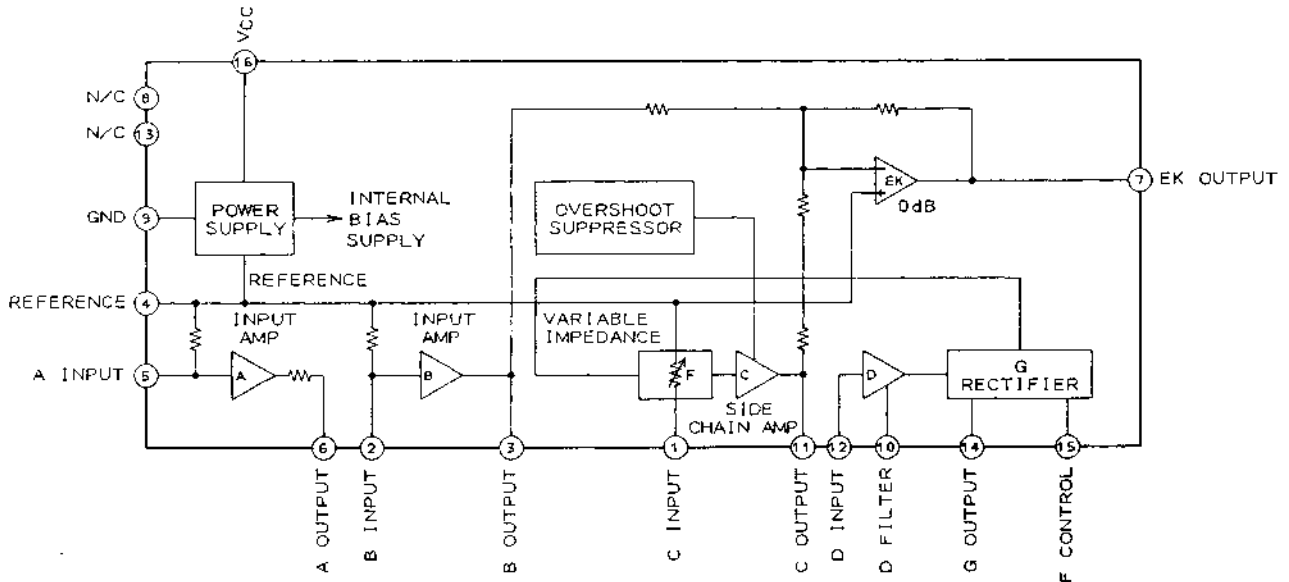
MB88505H-663L (VPS MI-COM)



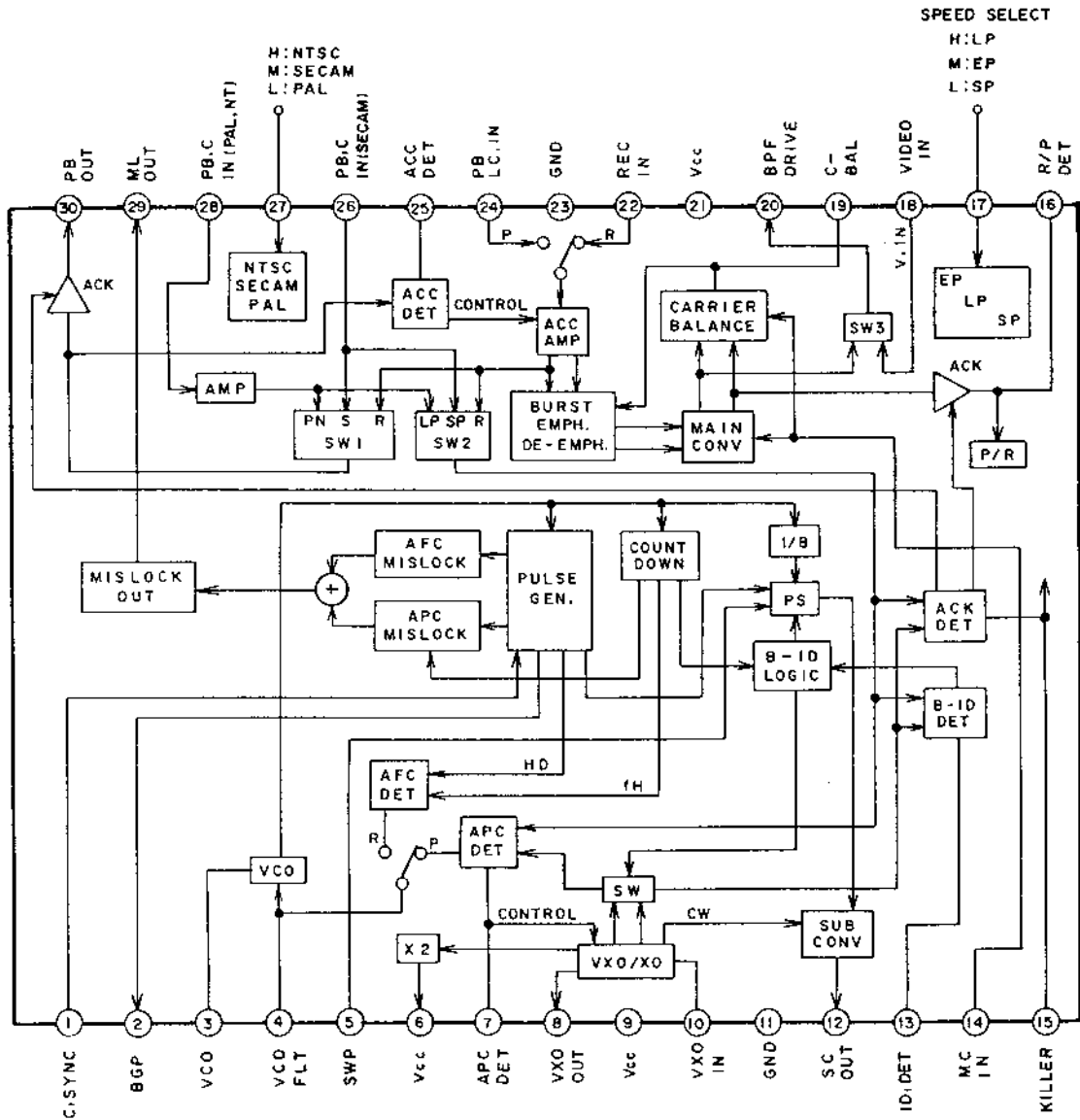
MSM6965-3RS (CCD)



NE645N (DOLBY NOISE REDUCTION)



TA8632 (VIDEO C-SIGNAL PROCESSING)

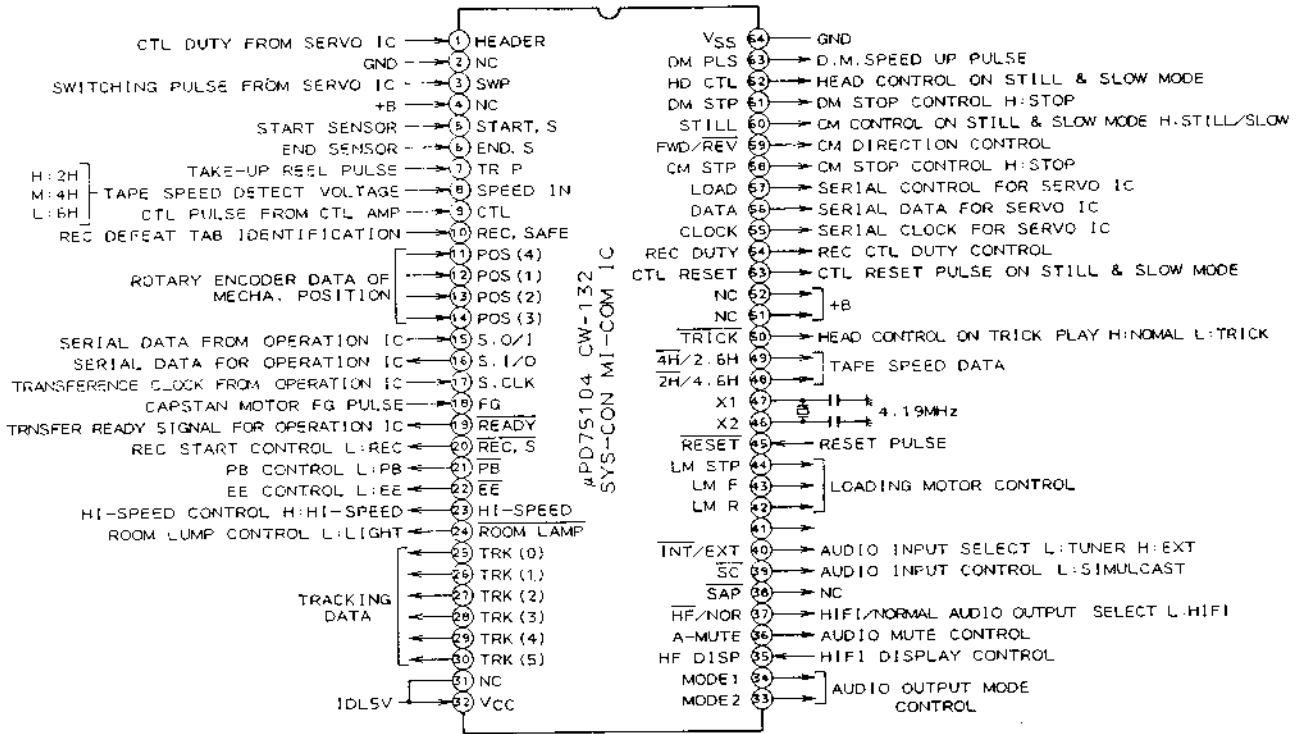


TC4528BF (DUAL MONO-MULTI)

TRUTH TABLE

INPUT			OUTPUT		NOTE
A	B	CD	Q	\bar{Q}	
	H	H			OUTPUT PULSE
	L	H	L	H	INHIBIT
H		H	L	H	INHIBIT
L		H			OUTPUT PULSE
*	*	L	L	H	INHIBIT

μPD75104CW-132 (SYSTEM CONTROL MI-COM)



MODE-1	MODE-2	MODE
0	0	STEREO
1	1	LEFT
1	0	RIGHT

μPD75216ACW (OPERATION MI-COM)

