

VIDEO HEAD PCB VS23A1A - EOG ONLY

VIDEO HEAD	VIDEO HEAD	VIDEO HEAD
1	2	3
4	5	6
7	8	9
10	11	12
13	14	15
16	17	18
19	20	21
22	23	24
25	26	27
28	29	30
31	32	33
34	35	36
37	38	39
40	41	42
43	44	45
46	47	48
49	50	51
52	53	54
55	56	57
58	59	60
61	62	63
64	65	66
67	68	69
70	71	72
73	74	75
76	77	78
79	80	81
82	83	84
85	86	87
88	89	90
91	92	93
94	95	96
97	98	99
100	101	102

OPERATION PCB VS23A1A - EOG ONLY

OPERATION PCB	OPERATION PCB	OPERATION PCB
1	2	3
4	5	6
7	8	9
10	11	12
13	14	15
16	17	18
19	20	21
22	23	24
25	26	27
28	29	30
31	32	33
34	35	36
37	38	39
40	41	42
43	44	45
46	47	48
49	50	51
52	53	54
55	56	57
58	59	60
61	62	63
64	65	66
67	68	69
70	71	72
73	74	75
76	77	78
79	80	81
82	83	84
85	86	87
88	89	90
91	92	93
94	95	96
97	98	99
100	101	102

POWER SUPPLY PCB VS23A1A - EOG ONLY

POWER SUPPLY PCB	POWER SUPPLY PCB	POWER SUPPLY PCB
1	2	3
4	5	6
7	8	9
10	11	12
13	14	15
16	17	18
19	20	21
22	23	24
25	26	27
28	29	30
31	32	33
34	35	36
37	38	39
40	41	42
43	44	45
46	47	48
49	50	51
52	53	54
55	56	57
58	59	60
61	62	63
64	65	66
67	68	69
70	71	72
73	74	75
76	77	78
79	80	81
82	83	84
85	86	87
88	89	90
91	92	93
94	95	96
97	98	99
100	101	102

MAIN PCB VS23A1A - EOG ONLY

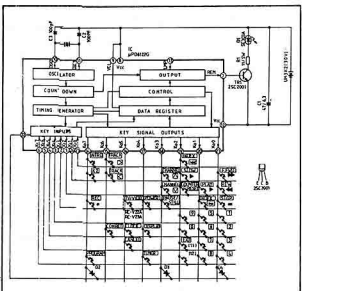
MAIN PCB	MAIN PCB	MAIN PCB
1	2	3
4	5	6
7	8	9
10	11	12
13	14	15
16	17	18
19	20	21
22	23	24
25	26	27
28	29	30
31	32	33
34	35	36
37	38	39
40	41	42
43	44	45
46	47	48
49	50	51
52	53	54
55	56	57
58	59	60
61	62	63
64	65	66
67	68	69
70	71	72
73	74	75
76	77	78
79	80	81
82	83	84
85	86	87
88	89	90
91	92	93
94	95	96
97	98	99
100	101	102

AUDIO & PRE-AMP PCB VS23A1A - EOG ONLY

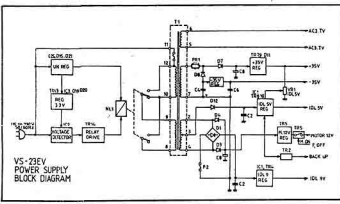
AUDIO & PRE-AMP PCB	AUDIO & PRE-AMP PCB	AUDIO & PRE-AMP PCB
1	2	3
4	5	6
7	8	9
10	11	12
13	14	15
16	17	18
19	20	21
22	23	24
25	26	27
28	29	30
31	32	33
34	35	36
37	38	39
40	41	42
43	44	45
46	47	48
49	50	51
52	53	54
55	56	57
58	59	60
61	62	63
64	65	66
67	68	69
70	71	72
73	74	75
76	77	78
79	80	81
82	83	84
85	86	87
88	89	90
91	92	93
94	95	96
97	98	99
100	101	102

VIDEO HEAD PCB VS23A1A - EOG ONLY

VIDEO HEAD PCB	VIDEO HEAD PCB	VIDEO HEAD PCB
1	2	3
4	5	6
7	8	9
10	11	12
13	14	15
16	17	18
19	20	21
22	23	24
25	26	27
28	29	30
31	32	33
34	35	36
37	38	39
40	41	42
43	44	45
46	47	48
49	50	51
52	53	54
55	56	57
58	59	60
61	62	63
64	65	66
67	68	69
70	71	72
73	74	75
76	77	78
79	80	81
82	83	84
85	86	87
88	89	90
91	92	93
94	95	96
97	98	99
100	101	102

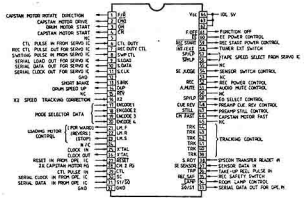


RC-Y22A/B, V23A  
REMOTE CONTROL UNIT  
SCHEMATIC DIAGRAM

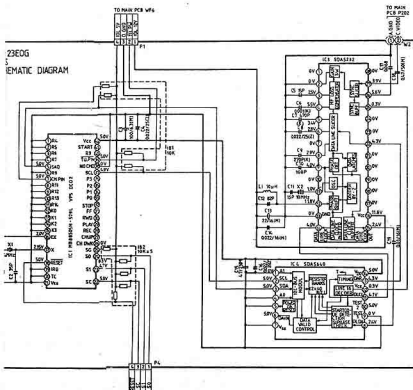
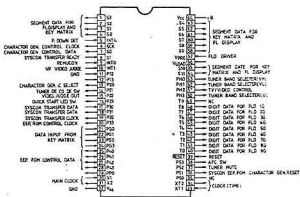


VS-23EV  
POWER SUPPLY  
BLOCK DIAGRAM

MB86525-192G (SYSTEM CONTROL)

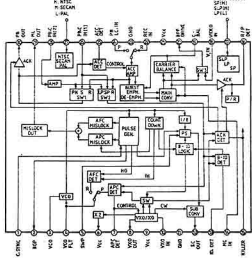


μP075208 CW-LX0PE (OPERATION)



Z3E0G  
SCHEMATIC DIAGRAM

TAB632 (VIDEO C SIGNAL PROCESSING)



AKAI VS-23EK/EV/EOG





