

THOMSON

---

TM-9400

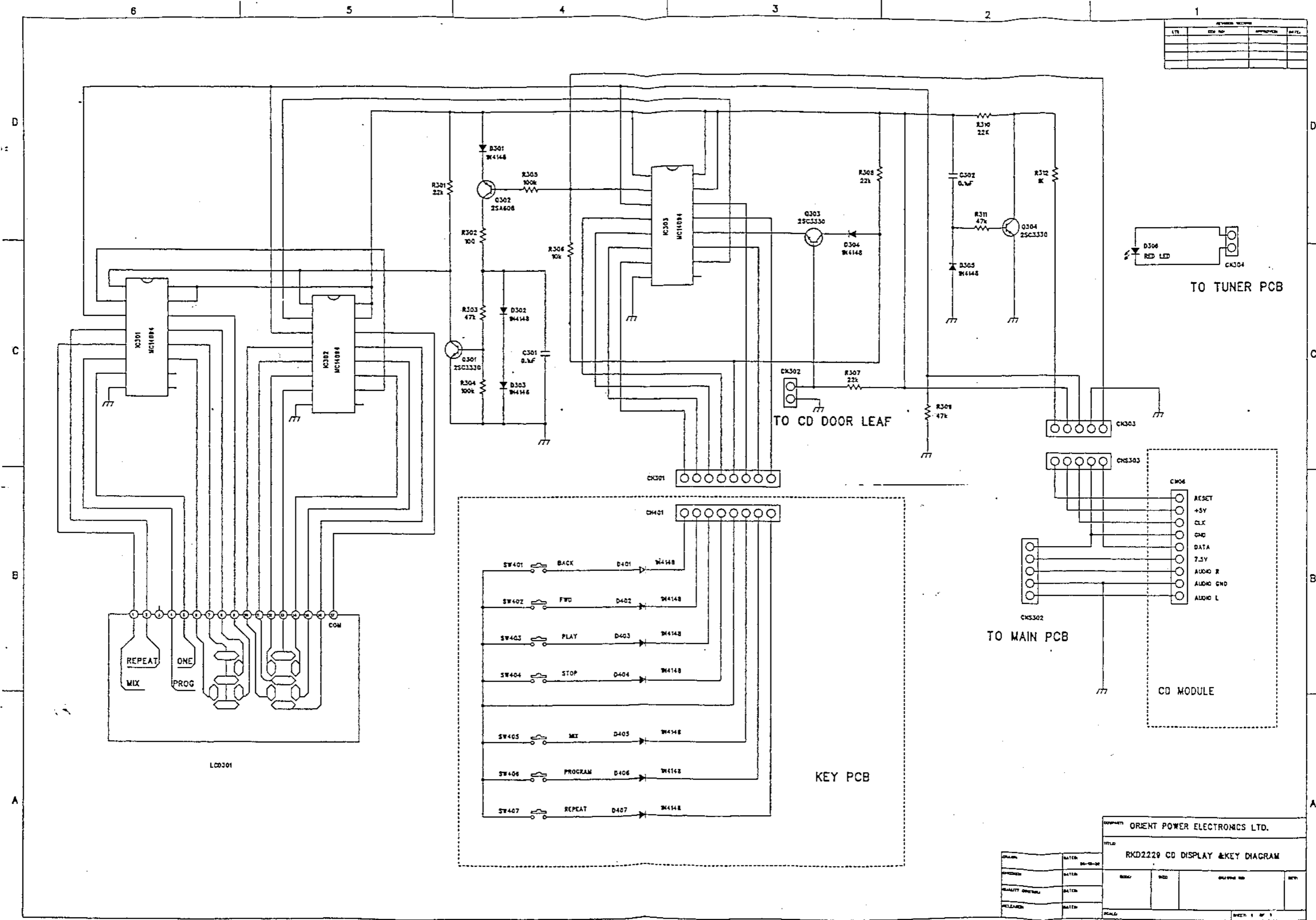
MODEL

---

SERVICE MANUAL

---

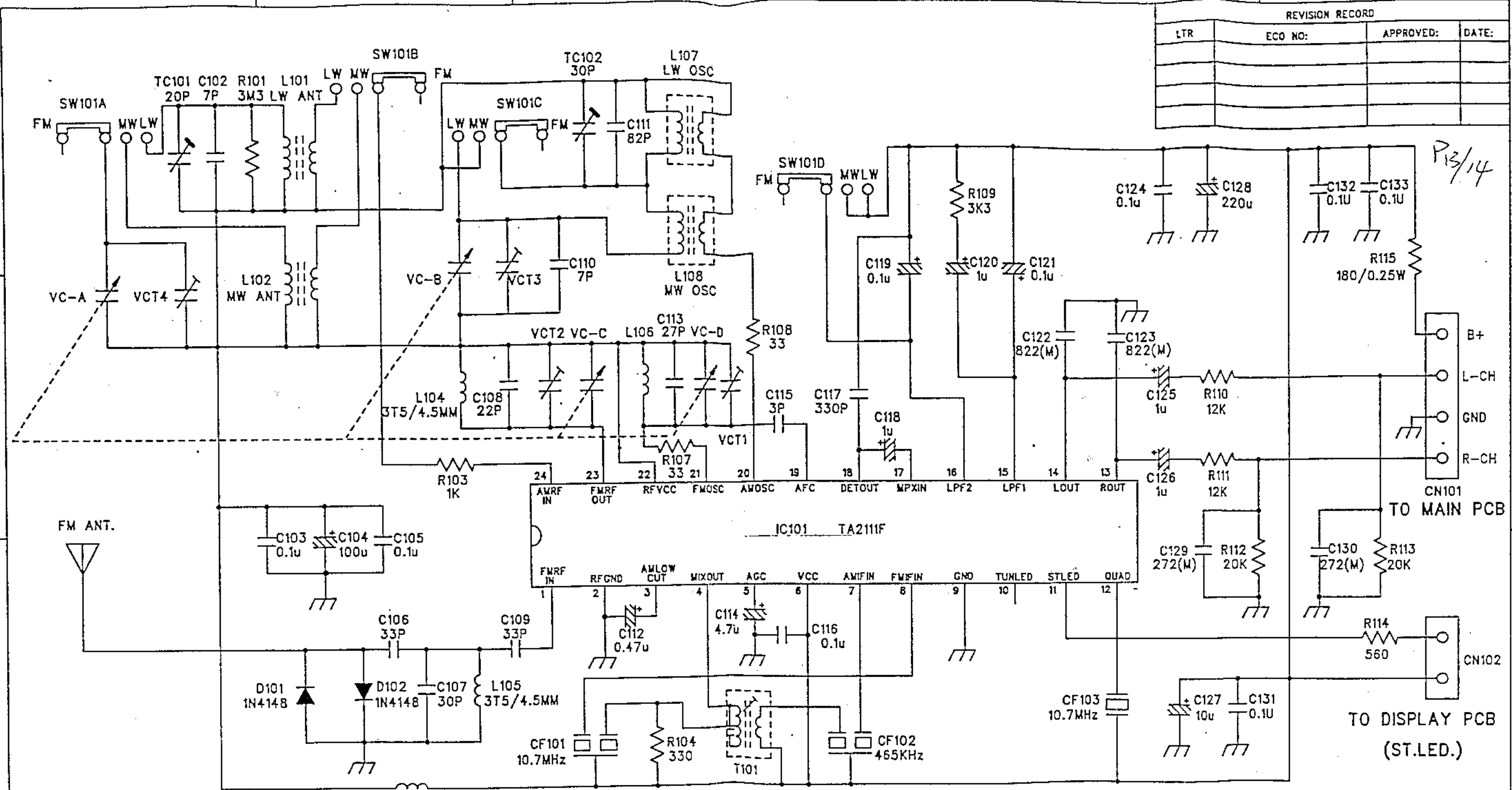
DATE	BY	APPROVED	REVISION



COMPANY: ORIENT POWER ELECTRONICS LTD.			
TITLE: RKD2229 CD DISPLAY & KEY DIAGRAM			
DESIGNER	DATE	REV	BY
CHECKED	DATE		
RELEASED	DATE		

6 5 4 3 2 1

REVISION RECORD			
LTR	ECO NO:	APPROVED:	DATE:



P13/14

COMPANY: ORIENT POWER ELECTRONICS LTD.

TITLE: RKD2229 LW/MW/FM TUNER DIAGRAM

DRAWN: LIANG FEI YUN	DATED: 99-01-05
CHECKED:	DATED:
QUALITY CONTROL:	DATED:
RELEASED:	DATED:

CODE:	SIZE:	DRAWING NO:	REV:
SCALE:			SHEET: OF

3

A

D

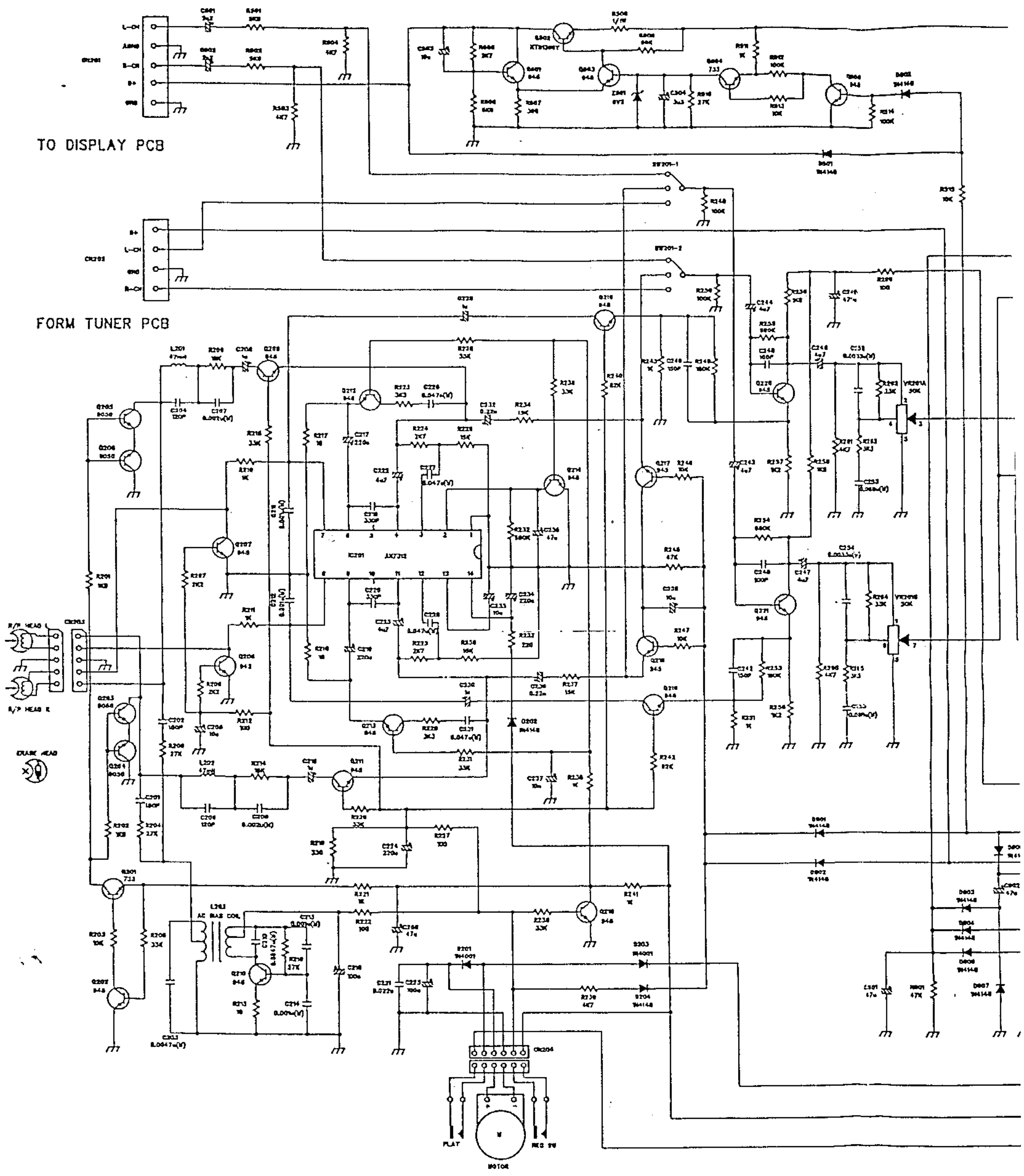
C

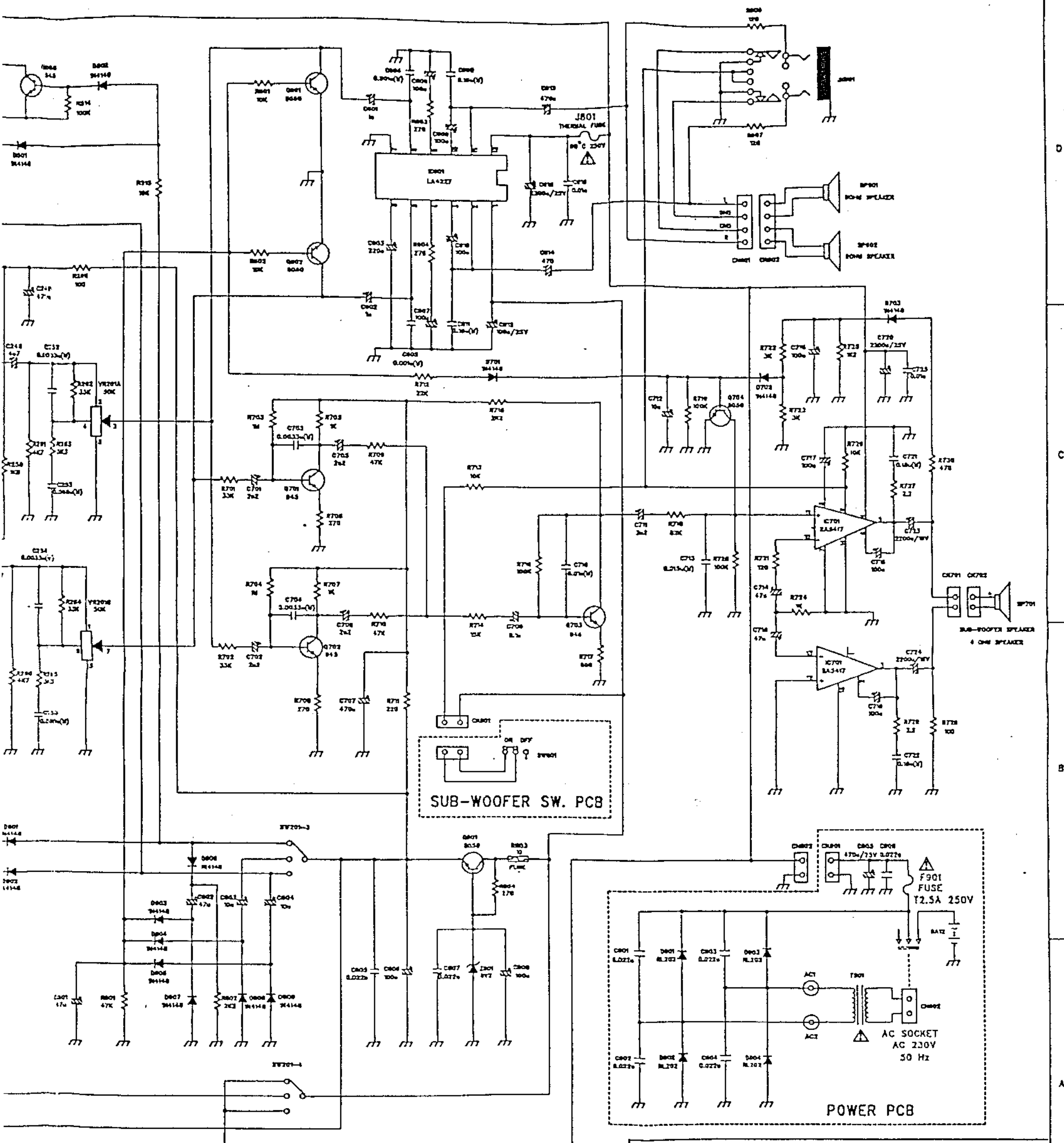
B

A

TO DISPLAY PCB

FORM TUNER PCB





COMPANY: ORIENT POWER ELECTRONICS LTD.	
TITLE: RKD2229 MAIN PCB DIAGRAM	
DRAWN: LIANG FEI YUN	DATED: 98-12-28
CHECKED:	DATED: