

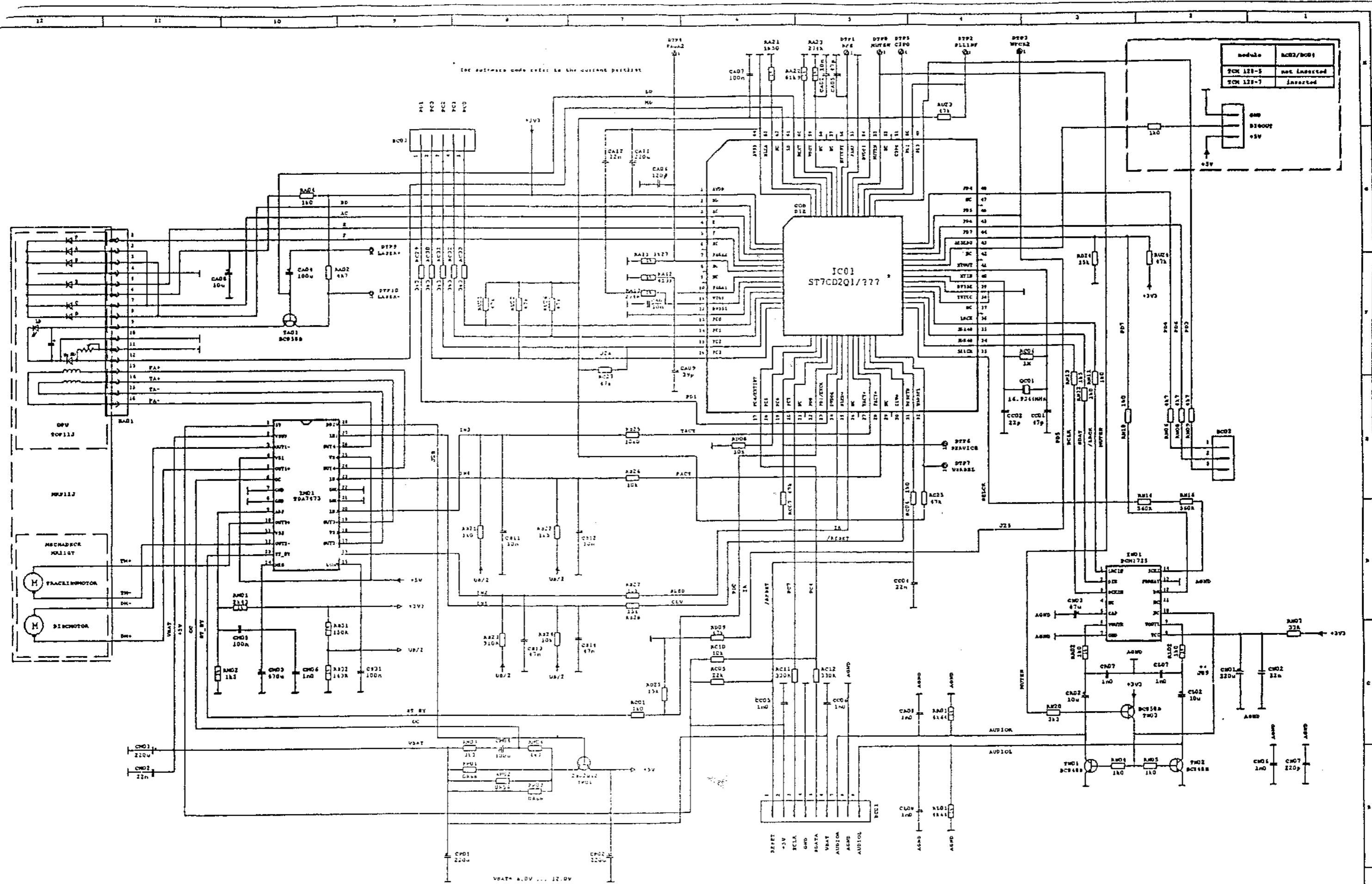
THOMSON

TM-9700

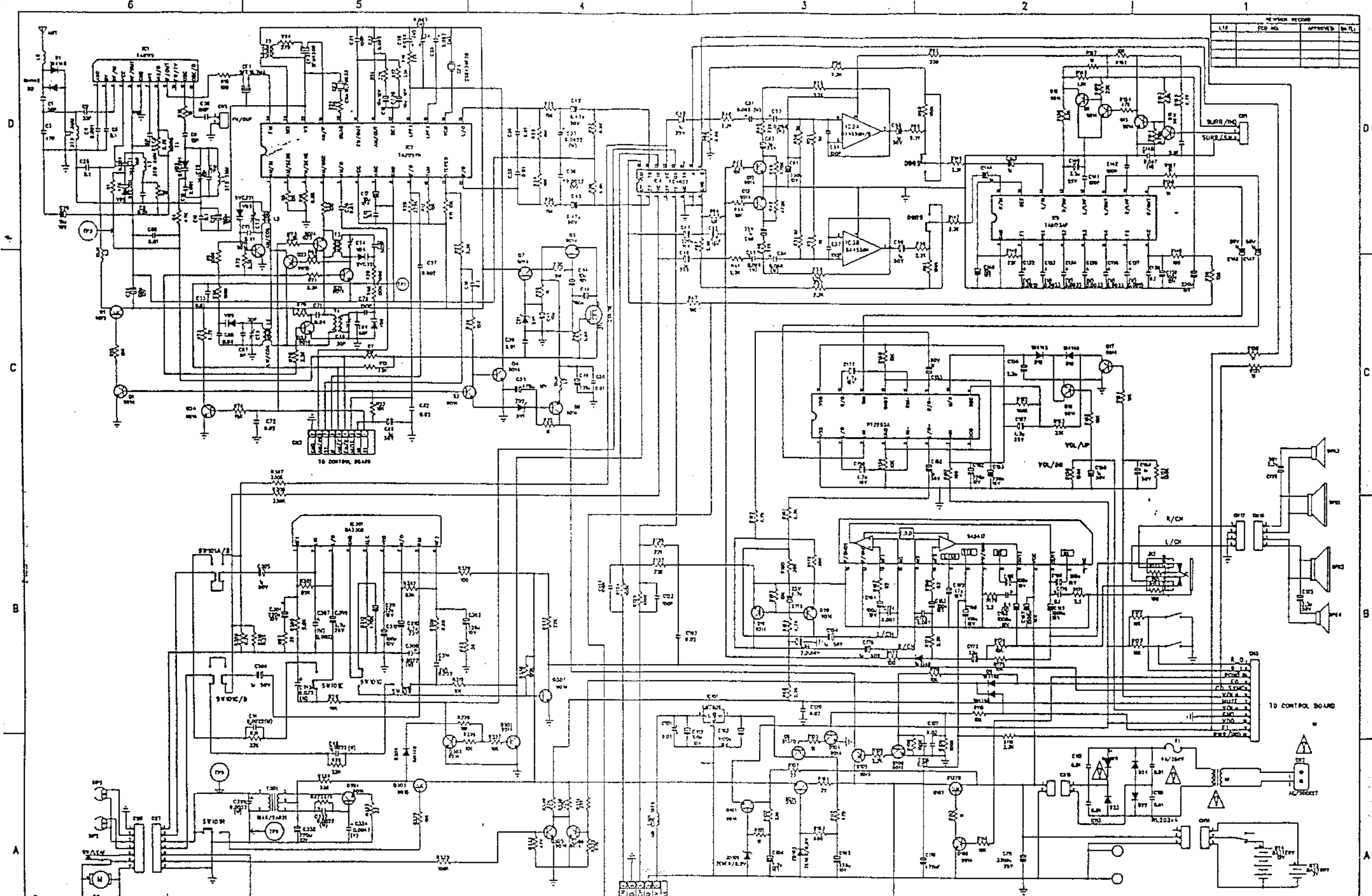
MODEL

SERVICE MANUAL

WARNING: THIS DOCUMENT IS UNCLASSIFIED EXCEPT WHERE SHOWN OTHERWISE

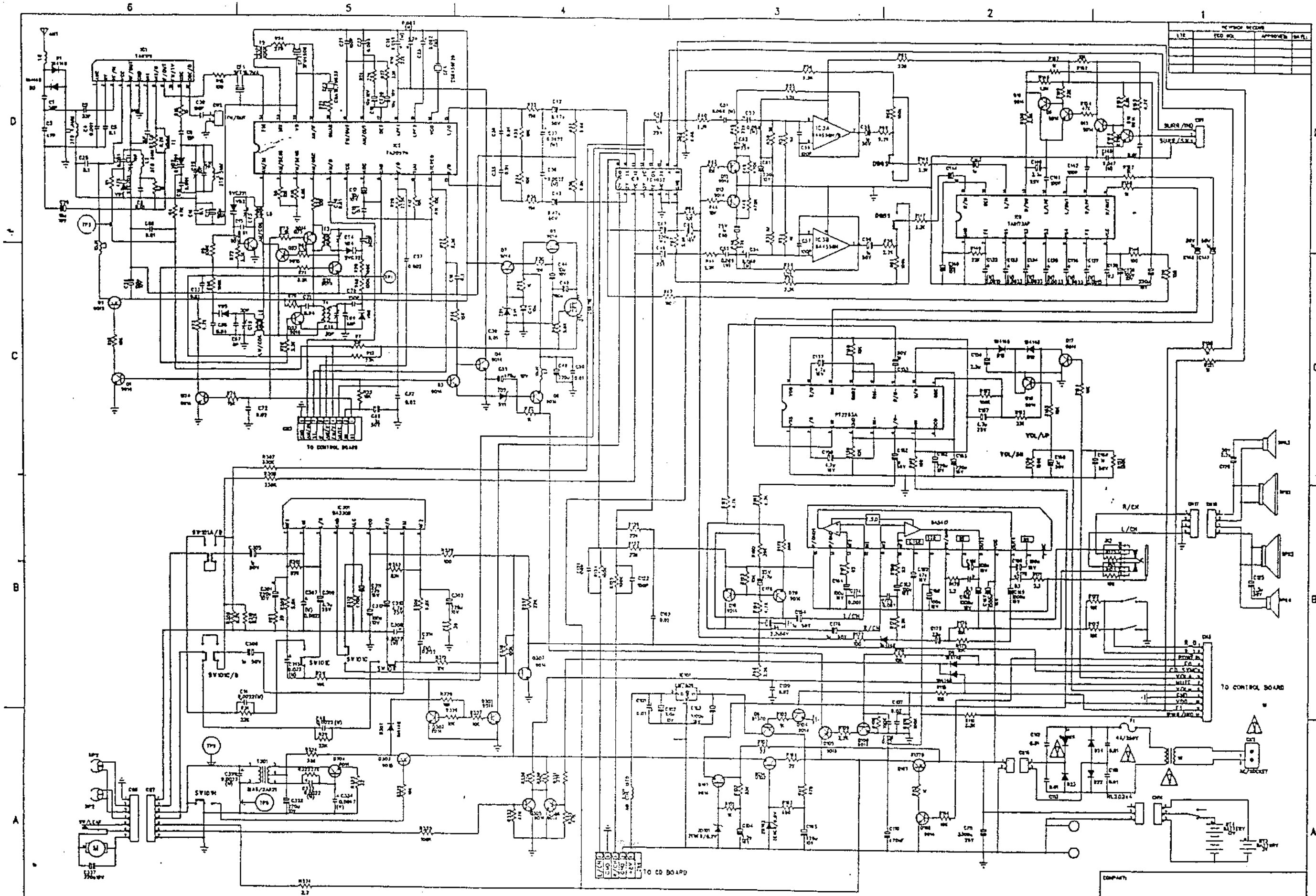


Module	IC02/IC01
ICM 121-5	not inserted
ICM 121-7	inserted



REVISION RECORD			
REV.	DESCRIPTION	DATE	BY

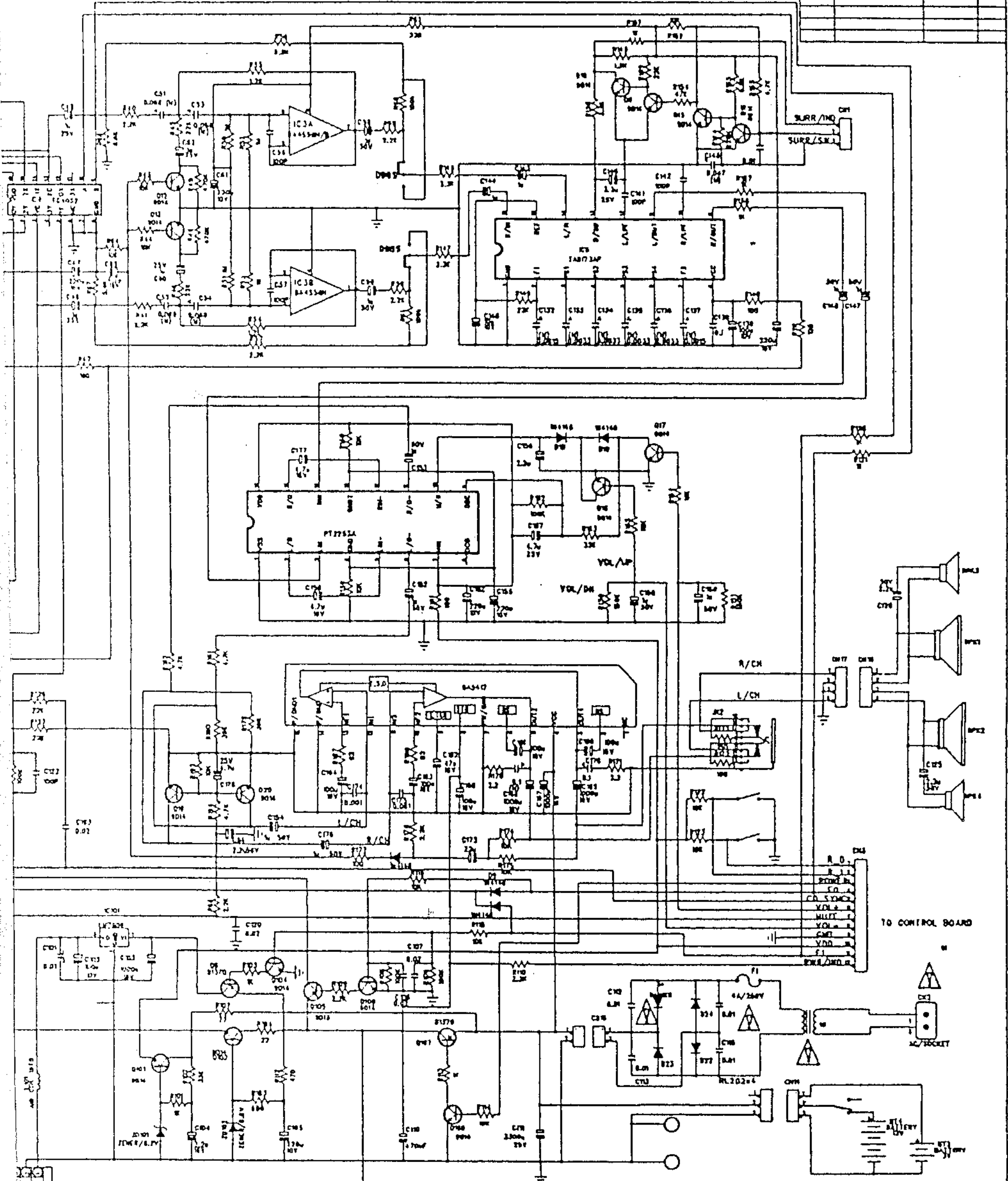
TITLE: SKC-V2 MAIN SECTION(38ANDXTM97001)
 MADE BY: JOHN HUI DATE: 3 AUG. 99



REV	DESCRIPTION	DATE
1.0	INITIAL ISSUE	

TITLE: SKC-V2 MAIN SECTION (38AND) X7M97001
 MADE BY: JOHN HUI
 DATE: 3 AUG. 99

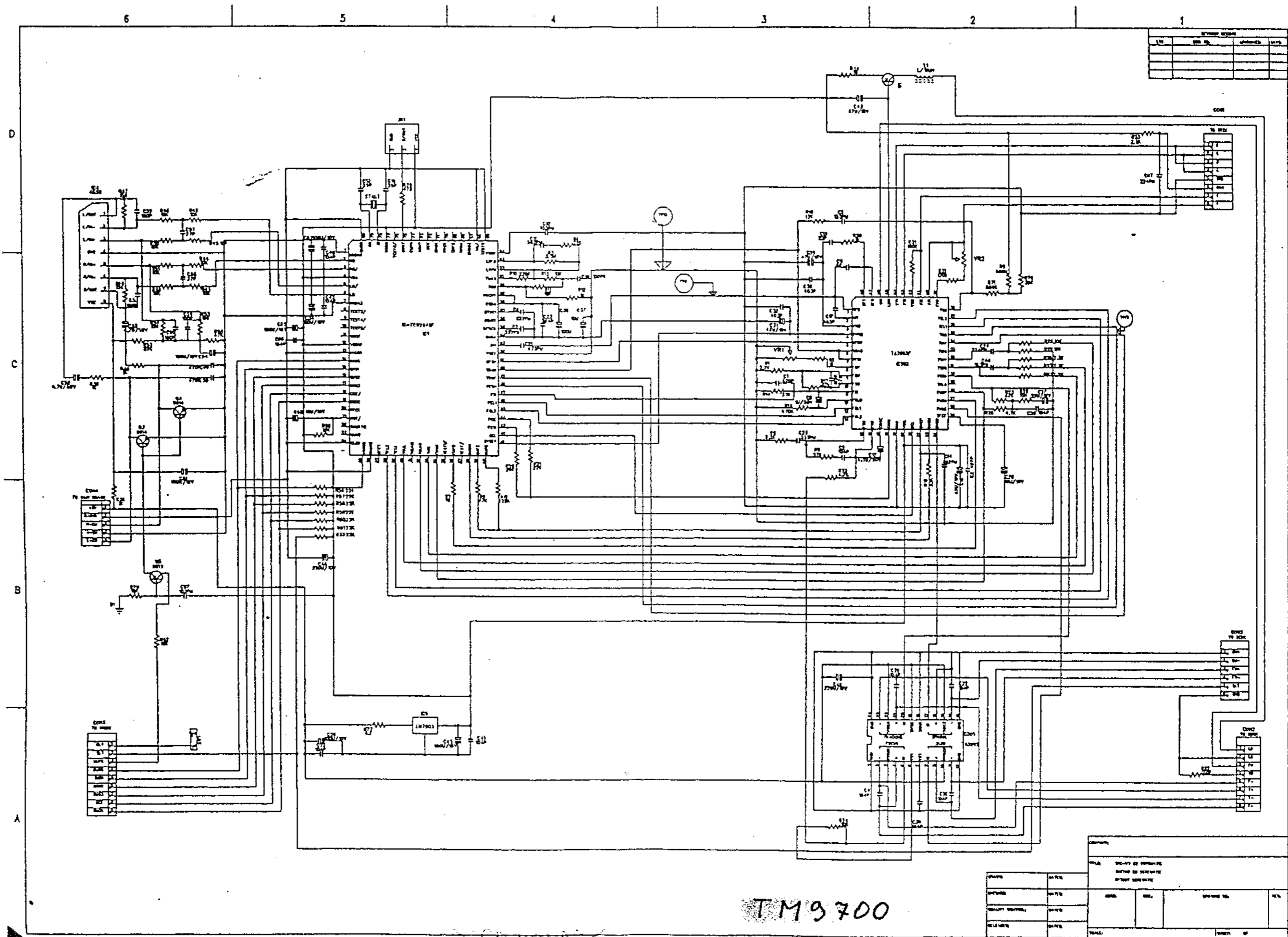
REVISION RECORD			
L18	ECO NO.	APPROVED	DATE



COMPANY:

TITLE: **SXC-Y2 MAIN SECTION(JBAND)XTM97001**

MADE BY : JOHN HUI DATE: **3 AUG. 99**



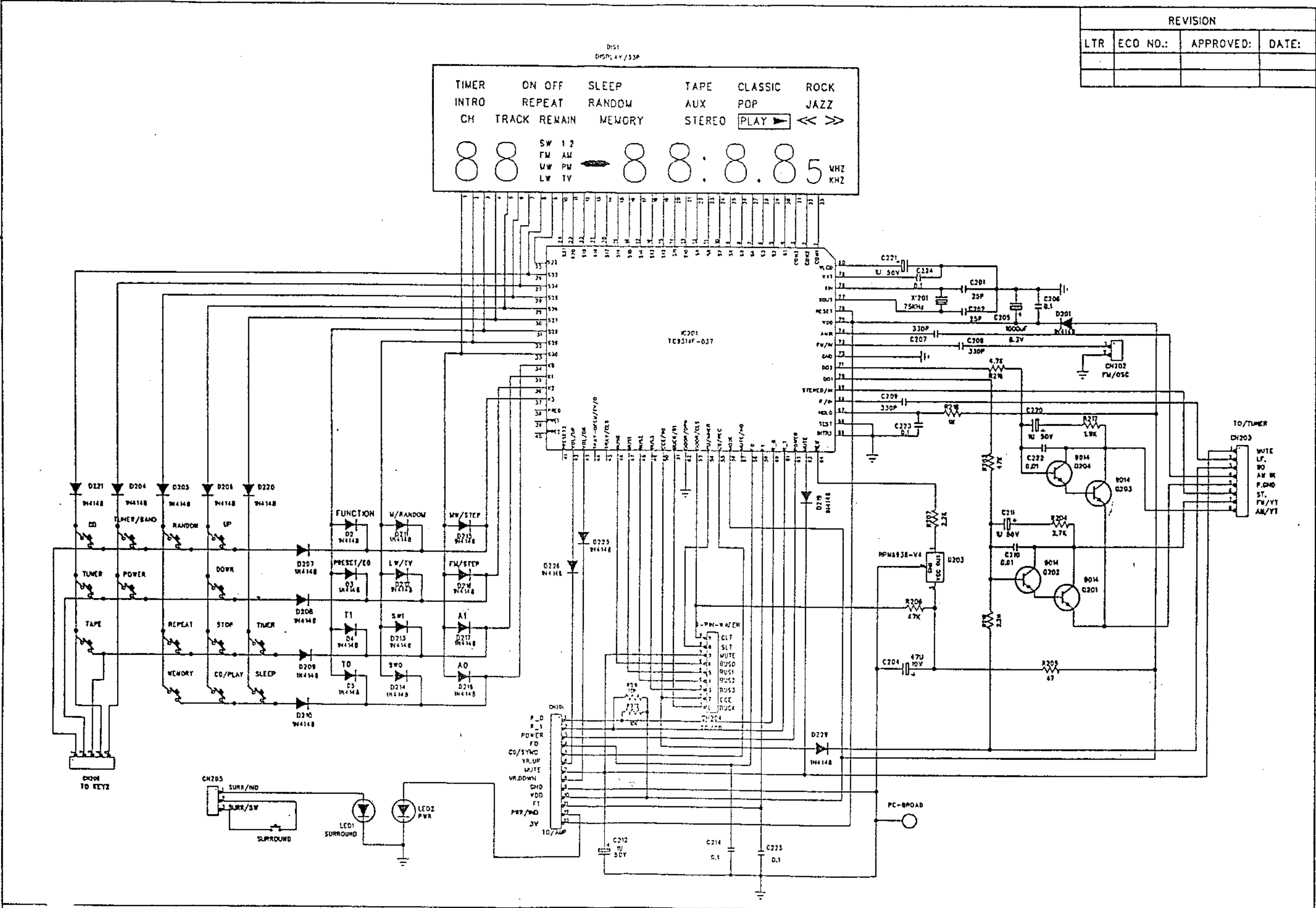
TM 9700

REVISIONS		DATE		BY	

REVISIONS		DATE		BY	

SKC-V2c.sch-1 - Fri Oct 15 10:35:23 1999

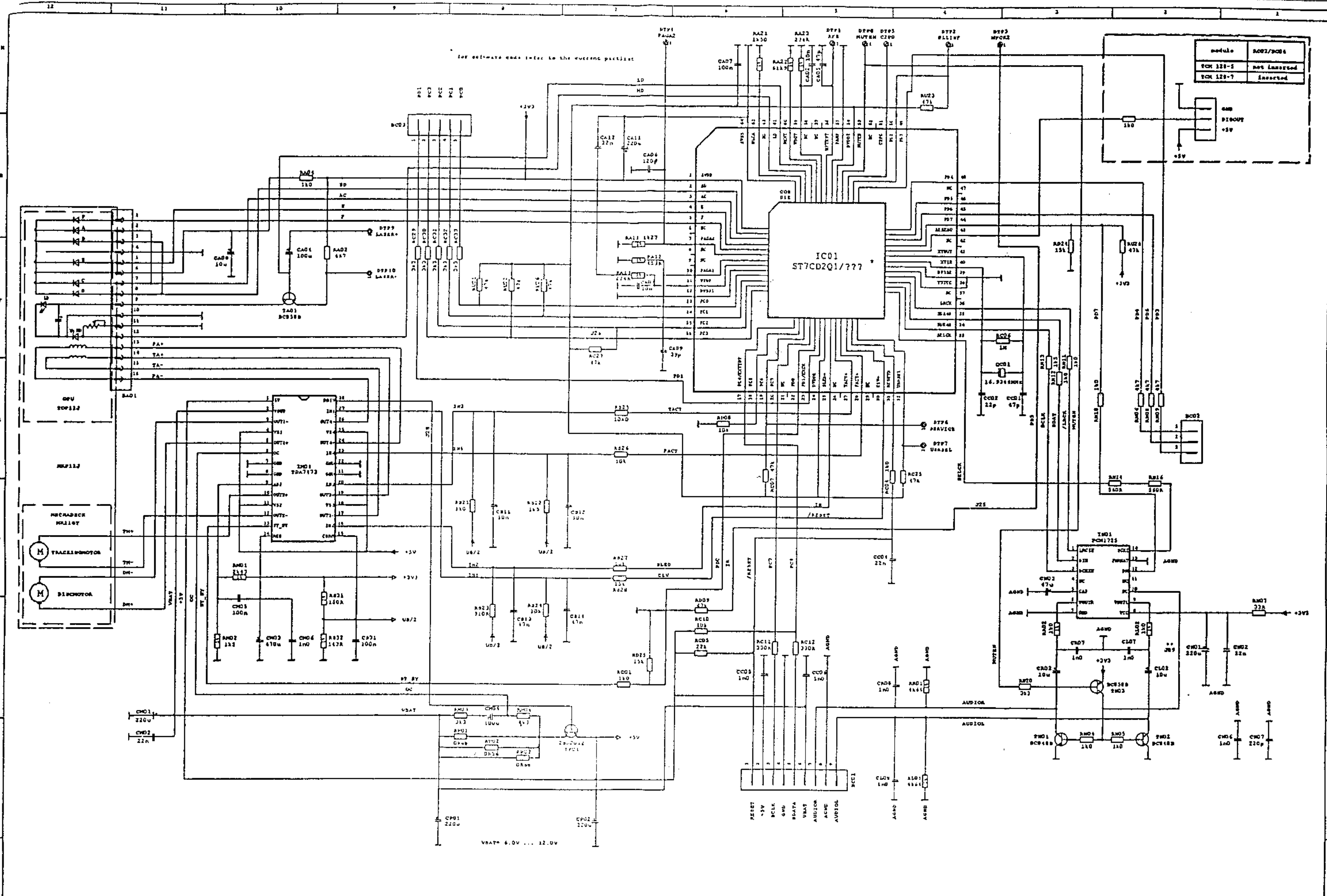
REVISION			
LTR	ECO NO.:	APPROVED:	DATE:



COMPANY:	DESCRIPTION:	MODEL: SKC-V2 CONTROL	REV.:

DATE: 5 JAN 1999

THIS DRAWING CANNOT BE REPRODUCED OR TRANSMITTED IN ANY FORM OR BY ANY MEANS, ELECTRONIC OR MECHANICAL, WITHOUT PERMISSION IN WRITING FROM THOMSON ELECTRONICS CORPORATION.



Module	SC01/SC04
FCM 128-5	not inserted
FCM 128-7	inserted

DESIGNATION	SCHEMATIC_CD8/11J_B5_87	
TOCOM-NUMBER	1053097A	
DATE	22.10.98	BY: M.S.B.
DESIGNED BY	DR. M.S.B.	CHECKED BY: M.S.B.
APPROVED BY	DR. M.S.B.	DATE: 22.10.98
THOMSON	<small> THOMSON ELECTRONICS CORPORATION 2000 N. 17th Street, Richardson, TX 75081 TEL: 972/514-2100 FAX: 972/514-2101 </small>	
DEVELOPMENT DEPT	NO. 1	PROJ. 1053097A