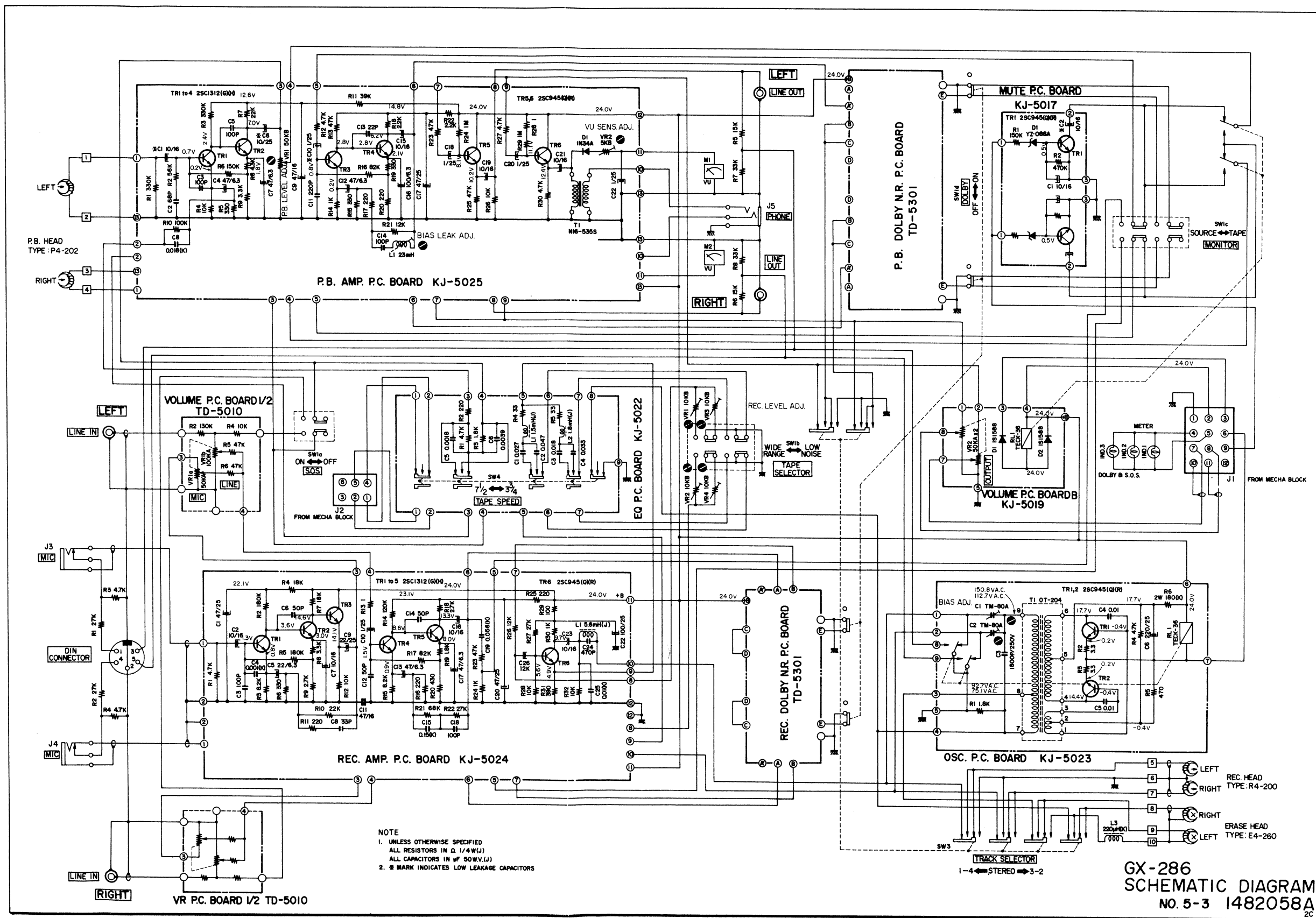


NOTE

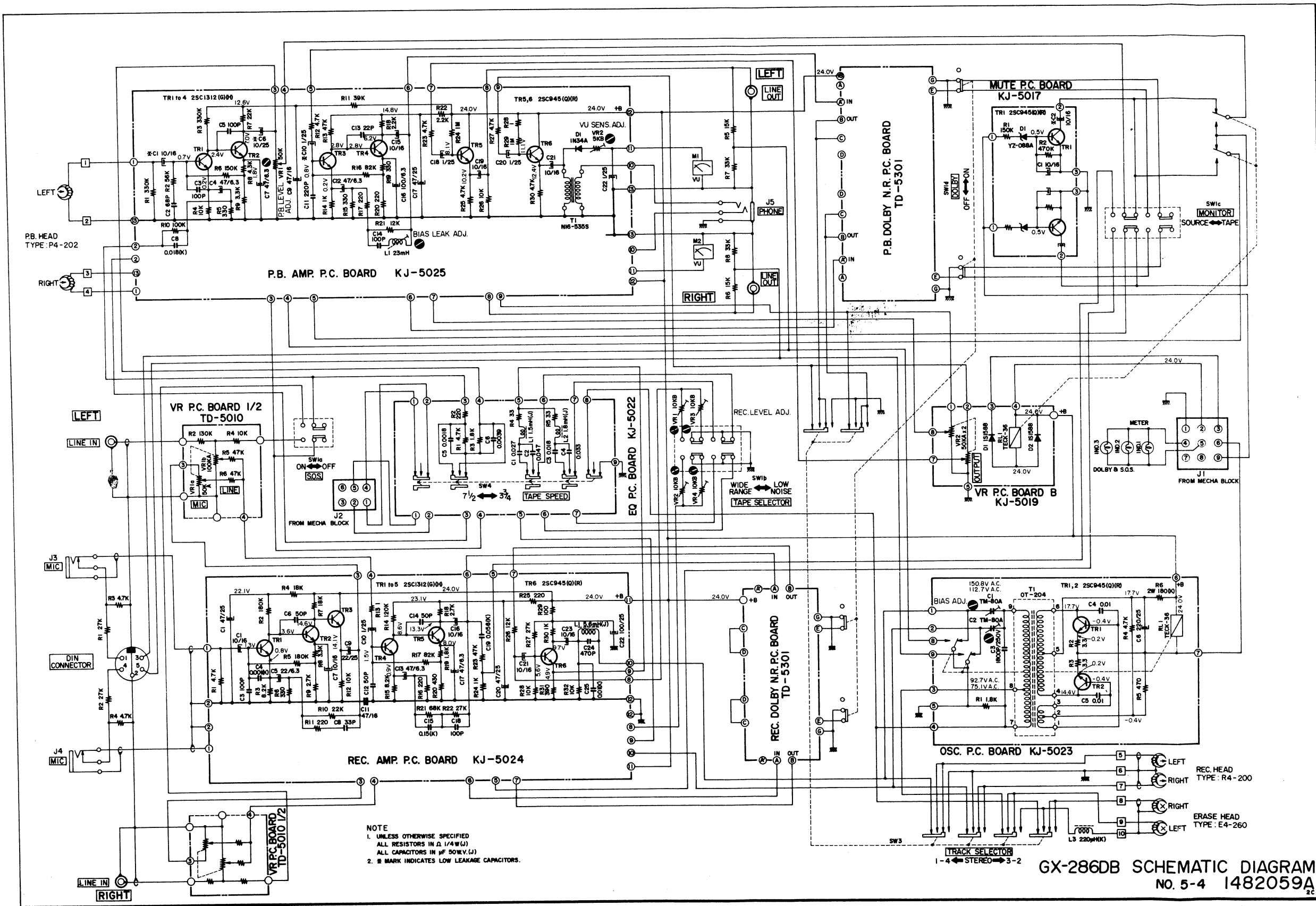
- UNLESS OTHERWISE SPECIFIED ALL RESISTORS IN Ω, 1/4W(1/4)
- ALL SPARK QUENCHERS ARE 0.1μ+120Ω/400V EXCEPT FOR X MARK
- ALL SPARK QUENCHERS ARE LOCATED ON RELAY P.C. BOARD KJ-1011 EXCEPT FOR X MARK
- DOLBY P.C. BOARD IS USED FOR REC. AND P.B. DOLBY SYSTEM HOWEVER IN CASE OF P.B. DOLBY TERMINAL (C) (C) ARE CONNECTED AND IN CASE OF REC. DOLBY TERMINAL (C) (C) ARE CONNECTED

GX-286, DB, D
SCHEMATIC DIAGRAM
NO. 5-2 1482057A



NOTE
 1. UNLESS OTHERWISE SPECIFIED
 ALL RESISTORS IN Ω, 1/4W(J)
 ALL CAPACITORS IN μF 50WV(J)
 2. * MARK INDICATES LOW LEAKAGE CAPACITORS

GX-286
 SCHEMATIC DIAGRAM
 NO. 5-3 1482058A
 2C



NOTE
 1. UNLESS OTHERWISE SPECIFIED
 ALL RESISTORS IN Δ 1/4 W (J)
 ALL CAPACITORS IN μ F 50WV (J)
 2. * MARK INDICATES LOW LEAKAGE CAPACITORS.

GX-286DB SCHEMATIC DIAGRAM
 NO. 5-4 1482059A

