

FLUKE

77/75/73/70/23/21

Series II Multimeter

Service Manual

PN 896204

July 1991 Rev. 1, 9/92

©1993 Fluke Corporation. All rights reserved. Printed in U.S.A.

All product names are trademarks of their respective companies

FLUKE®

OPERATOR SAFETY INFORMATION

This meter has been designed and tested according to IEC Publication 348. Follow all safety and operating instructions to ensure that the meter is used safely and is kept in good operating condition.

- Never use the meter if the meter or test leads look damaged.
- Always turn off power to the circuit before cutting, unsoldering, or breaking the circuit. Small amounts of current can be dangerous.
- Never measure resistance in a circuit when power is applied to the circuit.
- Never touch the probes to a voltage source when the test leads are plugged into the 10A or 300 mA input jack.
- To avoid damage or injury, never use the meter on unprotected circuits that exceed 4800 volt-amps.
- Never apply more than 1000V dc or 750V ac rms (sine) between any input jack and earth ground.
- Always be careful when working with voltages above 60V dc or 30V ac rms. Such voltages pose a shock hazard.
- Always keep your fingers behind the finger guards on the probe when making measurements.
- Always use a high voltage probe to measure voltage if the peak voltage might exceed 1000V.

SYMBOLS MARKED ON EQUIPMENT



DANGER - High voltage.



Attention - refer to the manual. This symbol indicates that information about usage of a feature is contained in the manual.



Fuse information.

USE THE PROPER FUSE

To avoid fire hazard, use only a fuse identical in type, voltage rating, and current rating as specified on the case bottom fuse rating label.

DO NOT OPERATE DISASSEMBLED METER

Always operate the meter with case top and bottom properly assembled.

Access procedures and the warnings for such procedures are contained in this Service Manual. Service procedures are for qualified service personnel only.

DO NOT ATTEMPT TO OPERATE IF PROTECTION MAY BE IMPAIRED

If the meter appears damaged or operates abnormally, protection may be impaired. Do not attempt to operate it. When in doubt, have the meter serviced.

Table of Contents

SECTION	TITLE	PAGE
1	Introduction and Specifications	1-1
1-1.	INTRODUCTION	1-3
1-2.	ORGANIZATION OF THE SERVICE MANUAL	1-3
1-3.	CONVENTIONS	1-4
1-4.	SPECIFICATIONS	1-4
2	Theory of Operation	2-1
2-1.	INTRODUCTION	2-3
2-2.	FUNCTIONAL BLOCK DESCRIPTION	2-3
2-3.	DETAILED DESCRIPTION	2-3
2-4.	Voltage Signal Conditioning	2-3
2-5.	Current Conditioning	2-4
2-6.	Ohms	2-4
2-7.	Additional Circuitry	2-4
2-8.	AC CONVERTER	2-4
2-9.	ACTIVE FILTER	2-4
2-10.	ROTARY SWITCH	2-5
2-11.	A/D CONVERSION	2-5
3	Maintenance	3-1
3-1.	INTRODUCTION	3-3
3-2.	PCA ACCESS AND GENERAL MAINTENANCE	3-3
3-3.	DISPLAY ACCESS	3-4
3-4.	CLEANING	3-4
3-5.	PERFORMANCE TESTS	3-6
3-6.	Initial Procedure	3-6
3-7.	Display Test	3-6
3-8.	DC Voltage Test	3-6
3-9.	AC Voltage Test	3-7
3-10.	Resistance Test	3-8
3-11.	Diode Test	3-8
3-12.	DC mA Test (75/21 & 77/23 Only)	3-9
3-13.	DC Amps Test (73, 75/21, and 77/23 Only)	3-9
3-14.	CALIBRATION	3-9
3-15.	TROUBLESHOOTING	3-9
3-16.	Supplemental Troubleshooting Procedures	3-11

Table of Contents

SECTION	TITLE	PAGE
3-17.	CHECKING THE CRYSTAL OSCILLATOR.....	3-11
3-18.	CHECKING THE REFERENCE VOLTAGE	3-11
3-19.	CHECKING DISPLAY DRIVE VOLTAGE	3-11
3-20.	CHECKING BEEPER DRIVE SIGNAL	3-11
3-21.	TRACING THE VDC SIGNAL PATH.....	3-11
4	List of Replaceable Parts.....	4-1
4-1.	INTRODUCTION.....	4-3
4-2.	HOW TO OBTAIN PARTS.....	4-3
4-3.	TECHNICAL SERVICE CENTERS.....	4-3
5	Schematic Diagrams.....	5-1

List of Tables

TABLE	TITLE	PAGE
1-1.	Specifications	1-5
2-1.	SI Function Codes	2-6
3-1.	Recommended Test Equipment	3-4
3-2.	DC Voltage Test	3-7
3-3.	AC Voltage Test	3-7
3-4.	Resistance Test	3-8
3-5.	DC mA Test	3-9
3-6.	DC Amps Test	3-9
5-1.	Abbreviations	5-2

List of Tables

List of Illustrations

FIGURE	TITLE	PAGE
2-1.	Overview	2-3
2-2.	Ohms Function	2-5
2-3.	AC and A/D Converter	2-7
3-1.	Assembly Details	3-5
3-2.	Display	3-6
3-3.	Troubleshooting Tree	3-10
5-1.	A1 Main PCA	5-3
5-2.	Signal Flow Diagram	5-5

List of Illustrations

Section 1 Introduction and Specifications

CONTENTS

	PAGE
1-1. INTRODUCTION.....	1-3
1-2. ORGANIZATION OF THE SERVICE MANUAL.....	1-3
1-3. CONVENTIONS.....	1-4
1-4. SPECIFICATIONS.....	1-4

Introduction and Specifications

INTRODUCTION

1-1.

This manual presents service information for the Fluke 70, 73, 75, 77, 21, and 23 Series II Multimeters. The manual includes a theory of operation, general maintenance procedures, performance tests, calibration procedures, troubleshooting information, a list of replaceable parts, and schematic diagrams.

A meter under warranty will be promptly repaired or replaced (at Fluke's option) and returned at no charge. See the registration card for warranty terms. If the warranty has lapsed, the meter will be repaired and returned for a fixed fee. Contact the nearest Service Center for information and prices. A list of U.S. and International Service Centers is included at the end of Section 4 of this manual.

ORGANIZATION OF THE SERVICE MANUAL

1-2.

The following descriptions briefly describe each section in the manual.

SECTION 1. INTRODUCTION AND SPECIFICATIONS

This section describes use of the Service Manual and application of special terminology (conventions) to describe the meter's circuitry. A complete set of specifications appears at the end of this section.

SECTION 2. THEORY OF OPERATION

This section first categorizes instrument circuitry into functional blocks, with a description of each block's role in overall operation. A detailed circuit description is then given for each block. These descriptions explore operation to the component level and fully support troubleshooting and repair procedures defined in Section 3.

SECTION 3. MAINTENANCE

Provides complete maintenance information, from general maintenance and cleaning instructions to detailed troubleshooting and repair procedures to the component level. Troubleshooting and repair procedures rely heavily on both the Theory of Operation presented in Section 2 and the Schematic Diagrams shown in Section 5.

SECTION 4. LIST OF REPLACEABLE PARTS

Includes parts lists for all standard assemblies. Information on how and where to order parts is also provided.

SECTION 5. SCHEMATIC DIAGRAMS

Includes schematic diagrams for all assemblies.

CONVENTIONS

1-3.

Throughout the manual, certain notational conventions are used. A summary of these conventions follows:

- Instrument Reference

When the discussion involves common features of the Fluke model 70, 73, 75, 77, 21, and 23 multimeters, the term "meter" is used. Where features differ among models, further identification is made by model number.

- Printed Circuit Assembly

The term "pca" is used to represent a printed wiring board and its attached parts.

- Circuit Nodes

Individual pins or connections on a component are specified by a dash (-) following the component reference designator. For example, pin 19 of U30 would be U30-19.

- User Notation

Generally, push buttons, function positions, input terminals, and display notation are presented in this manual as they are seen on the meter.

Special terms (mnemonics) used in text descriptions of meter circuitry correspond to terms used on the schematic diagrams in Section 5.

SPECIFICATIONS

1-4.

Specifications for the meters are presented in Table 1-1.

Table 1-1. Specifications

Maximum Voltage Between any Terminal and Earth Ground	1000V dc, 750V ac rms (sine)
Fuse Protection	300 mA: 630 mA, 250V Fast Fuse 10A: 15A, 600V FAST Fuse
Display	Digital: 3,200 counts, updates 2.5/sec Analog: 32 segments, updates 25/sec
Response Time of Digital Display to Rated Accuracy	V ac < 2 s V dc < 1 s Ω < 1 s to 320 k Ω , < 2 s to 3.2 M Ω , < 10 s to 32 M
Operating Temperature	0°C to 50°C
Storage Temperature	-40°C to 60°C
Temperature Coefficient	0.1 x (specified accuracy)/°C (<18°C or >28°C)
Relative Humidity	0% to 90% (0°C to 35°C)
Except 32 M Ω Range:	0% to 70% (35°C to 50°C)
32 M Ω Range Only:	0% to 80% (0°C to 35°C) 0% to 70% (35°C to 50°C)
Battery Type	9V, NEDA 1604 or 6F22 or 006P
Battery Life	2000 hrs typical with alkaline 1600 hrs typical with carbon zinc
Continuity Beeper	4096 Hz
Shock, Vibration	Per MIL-T-28800 for a Style B, Class 2 Instrument
Size (HxWxL)	2.8 cm x 7.5 cm x 16.6 cm (1.12 in x 2.95 in x 6.55 in)
Weight	340g (12 oz)
Safety	Designed to Protection Class II per IEC 348, ANSI/ISA-S82, UL1244, and CSA C22.2 No.231

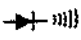
Introduction and Specifications
SPECIFICATIONS

Table 1-1. Specifications (cont)

FUNCTION	RANGE	RESOLUTION	ACCURACY	BURDEN VOLTAGE (TYPICAL)
VAC (45-500 Hz, 3.2V rng Other ranges 45-1kHz)	3.200V 32.00V 320.0V 750V	0.001V 0.01V 0.1V 1V	$\pm(2\%+2)$ $\pm(2\%+2)$ $\pm(2\%+2)$ $\pm(2\%+2)$	Not Applicable
Ω	320.0 Ω 3200 Ω 32.00 k Ω 320.0 k Ω 3.200 M Ω 32.00 M Ω	0.1 Ω 1 Ω 0.01 k Ω 0.1 k Ω 0.001 M Ω 0.01 M Ω	$\pm(0.5\%+2)$ $\pm(0.5\%+1)$ $\pm(0.5\%+1)$ $\pm(0.5\%+1)$ $\pm(0.5\%+1)$ $\pm(2\%+1)$	Not Applicable
$\rightarrow \nabla \parallel$	2.0V	0.001V	$\pm(1\%$ Typical)	Not Applicable
AAC* (45 Hz to 1 kHz)	32.00 mA** 320 mA** 10.00 A***	0.01 mA 0.1 mA 0.01A	$\pm(2.5\%+2)$ $\pm(2.5\%+2)$ $\pm(2.5\%+2)$	6 mV/mA 6 mV/mA 50 mV/A
ADC*	32.00 mA** 320 mA** 10.00 A***	0.01 mA 0.1 mA 0.01A	$\pm(1.5\%+2)$ $\pm(1.5\%+2)$ $\pm(1.5\%+2)$	6 mV/mA 6 mV/mA 50 mV/A
* Current function not available on Fluke 70 ** Ranges available on Fluke 75/21 and 77/23 only. *** 10A continuous, 20A for 30 seconds maximum				

FUNCTION	RANGE	RESOLUTION	ACCURACY		
			70	73/75/21	77/23
VDC	3.200V 32.00V 320.0V	0.001V 0.01V 0.1V	$\pm(0.5\%+1)$ $\pm(0.5\%+1)$ $\pm(0.5\%+1)$	$\pm(0.4\%+1)$ $\pm(0.4\%+1)$ $\pm(0.4\%+1)$	$\pm(0.3\%+1)$ $\pm(0.3\%+1)$ $\pm(0.3\%+1)$
mVDC	1000V 320mV	1V 0.1mV	$\pm(0.6\%+1)$ $\pm(0.5\%+1)$	$\pm(0.4\%+1)$ $\pm(0.4\%+1)$	$\pm(0.4\%+1)$ $\pm(0.3\%+1)$

Table 1-1. Specifications (cont)

FUNCTION	OVERLOAD PROTECTION	INPUT IMPEDANCE (NOMINAL)	COMMON MODE REJECTION RATIO (1-K Ω UNBALANCE)		NORMAL MODE REJECTION							
VDC	1000V dc 750V ac rms (sine)	>10 M Ω , <50 pF	>120 dB at dc, 50 Hz, or 60 Hz		>60 dB at 50 Hz or 60 Hz							
mVDC	500V dc 500V ac rms (sine)	>10 M Ω , <50 pF	>120 dB at dc, 50 Hz, or 60 Hz		>60 dB at 50 Hz or 60 Hz							
VAC	1000V dc 750V ac rms (sine)	>10 M Ω , <50 pF (ac-coupled)	>60 dB, dc to 60 Hz									
Ω	500V dc 500V ac rms (sine)	Open Circuit Test Voltage <3.1V dc <2.8V dc (typical)	Full Scale Voltage		Short Circuit Current 500 μ A (typical)							
			To 3.2 M Ω	32 M Ω								
	500V dc 500V ac rms (sine)	<3.1V dc	2.0V dc	-	700 μ A (typical)							
			<table border="1"> <thead> <tr> <th>Typical Test Current</th> <th>V_F</th> </tr> </thead> <tbody> <tr> <td>0.7 mA</td> <td>0.0V</td> </tr> <tr> <td>0.5mA</td> <td>0.6V</td> </tr> <tr> <td>0.3 mA</td> <td>1.2V</td> </tr> <tr> <td>0.1 mA</td> <td>2.0V</td> </tr> </tbody> </table>		Typical Test Current	V _F	0.7 mA	0.0V	0.5mA	0.6V	0.3 mA	1.2V
Typical Test Current	V _F											
0.7 mA	0.0V											
0.5mA	0.6V											
0.3 mA	1.2V											
0.1 mA	2.0V											

Introduction and Specifications
SPECIFICATIONS

Section 2 Theory of Operation

CONTENTS

	PAGE
2-1. INTRODUCTION	2-3
2-2. FUNCTIONAL BLOCK DESCRIPTION	2-3
2-3. DETAILED DESCRIPTION	2-3
2-4. Voltage Signal Conditioning	2-3
2-5. Current Conditioning	2-4
2-6. Ohms	2-4
2-7. Additional Circuitry	2-4
2-8. AC CONVERTER	2-4
2-9. ACTIVE FILTER	2-4
2-10. ROTARY SWITCH	2-5
2-11. A/D CONVERSION	2-5

Theory of Operation

INTRODUCTION

2-1.

This section contains a brief overview of the 70, 73, 75, 77, 21, and 23 Series II Multimeters, followed by a more detailed explanation of operation.

FUNCTIONAL BLOCK DESCRIPTION

2-2.

The heart of the instrument consists of a two-chip CMOS system: U1, a primarily analog IC, and U2, a calculator-style microcomputer (see Figure 2-1).

The analog chip, U1, contains the a/d converter, active filter, ac converter, analog signal routing, range switching, and power supply functions. Peripherals to U1 include function switching, voltage reference, and the crystal.

The microcomputer, U2, controls the a/d converter function and range switching, reads and formats the a/d samples, and drives the liquid crystal display (LCD).

DETAILED DESCRIPTION

2-3.

The following paragraphs describe the 70, 73, 75, 77, 21 and 23 Series II multimeters in more detail. While reading this description, refer to the schematic diagram in Section 5.

Voltage Signal Conditioning

2-4.

Input divider Z1 and dc blocking capacitor C1 make up an input voltage signal conditioning circuit.

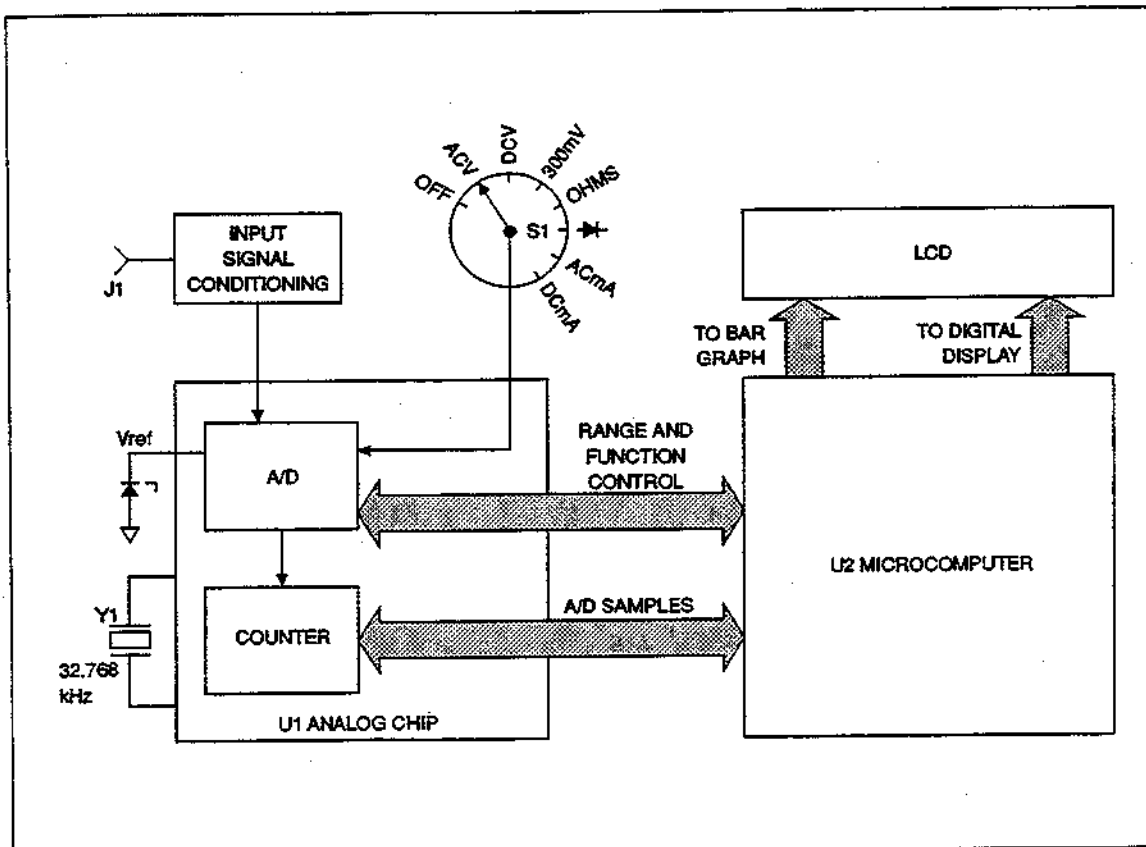


Figure 2-1. Overview

Theory of Operation

DETAILED DESCRIPTION

The pins of Z1 are used as follows:

Z1-PIN NUMBER	FUNCTION
1	input
3	3.2V range tap
4	32V range tap
5	320V range tap
6	1000V dc/750V ac range tap

Overvoltage protection is provided by E1, R1, R2, RV1, and RV2.

E1 is a spark gap that fires between 1200V and 1800V. R1 is a fusible resistor that opens with excessive inputs. RV1 and RV2 are metal-oxide varistors that clamp around 910V each.

Current Conditioning

2-5.

Current input conditioning is provided by R6, R7, R5, and R13. R6 and R7 develop input voltage from the applied current. R5 and R13 act as a voltage divider for the 300-mA range. F1 protects the mA circuitry; F3 protects the 10A circuitry. (Model 70 has no current-measuring capability; Model 73 measures current only on the 10A range.)

Ohms

2-6.

When the ohms function is selected, the meter compares the unknown resistance at J1 with the reference resistors in Z1. (See Figure 2-2, Ohms Function.)

Input protection for the ohms ranges consists of Q1, Q2, Q3, R2, R3, R4, and RT1. Q1 and Q2 serve as back-to-back zener diodes which limit the input to between 7 and 9V. RT1 is a thermistor that normally has about 1 k Ω of resistance but increases to very high impedance as it heats up with an overload voltage. Also, R2, R3, and R4 limit current, and Q3 clamps pin 29 of U1 to approximately 2.5V.

Additional Circuitry

2-7.

In addition to the above circuitry, the following circuitry is also used in the Series II meters: AC Converter, Active Filter, Rotary Switch, and A/D Conversion.

AC CONVERTER

2-8.

The ratio of R17 and R18 determines ac voltage and current accuracy (see Figure 2-3, AC and A/D Converter), and C11 is the averaging capacitor for the half-wave ac converter portion of U1.

ACTIVE FILTER

2-9.

An active filter that includes R9, R10, C5, and C6 is located in U1. Conditioned input signals are passed through the active filter in route to the a/d converter section of U1. (See Figure 2-3, AC and A/D Converter.)

The clock frequency for the digital portion of the circuit is a function of 32.768-kHz crystal Y1. Y1, C12, C15, and amplifiers in U1 make up the oscillator circuit.

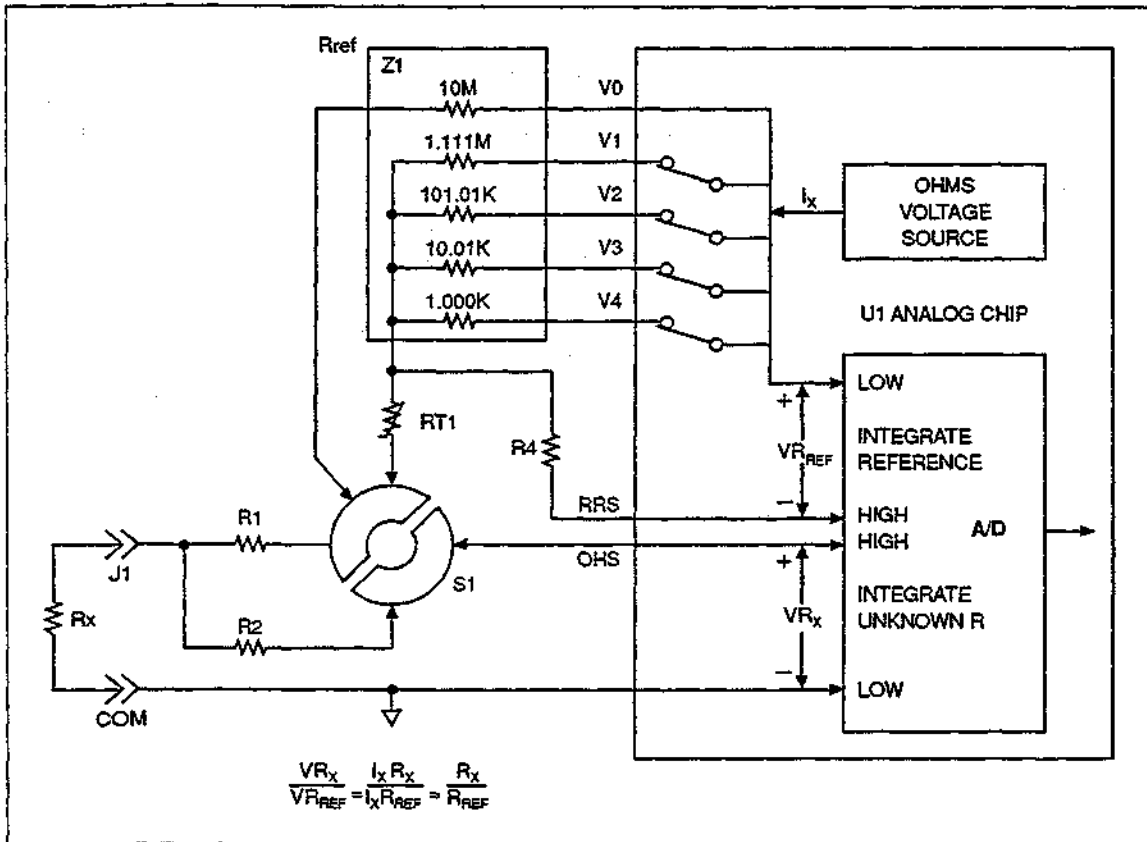


Figure 2-2. Ohms Function

ROTARY SWITCH

2-10.

Rotary switch S1 FRONT selects and routes the input signals. Function codes for switch S1 REAR are shown in Table 2-1. Range switch S2 signals the microcomputer U2 for the manual ranging and automatic Touch Hold® function.

CR1 acts as protection for U1 if the battery is installed backwards. C2 is part of the power-on reset for microcomputer U2.

A/D CONVERSION

2-11.

Analog-to-digital (a/d) conversion is accomplished within U1 using a modified dual-slope a/d converter circuit. (See Figure 2-3, AC and A/D Converter.)

Since the a/d conversion process is essentially a dual slope method, two voltages are required to complete a measurement cycle. One is the unknown input and the other is the reference voltage.

Conditioned input signals are routed to the a/d converter in U1, where they are integrated. The reference voltage developed by reference supply VR1, R15, R16, and R8 is routed to the a/d converter in U1, where it is used for the integrate reference (de-integrate) portions of the measurement cycle.

C7 stores offsets of the buffer, integrator, and comparator amplifiers of the a/d converter. The gain of the buffer is determined by the resistors of Z1 between pins 8, 9, and 10. C8 is the integrator capacitor.

® Touch Hold is a registered trademark of the John Fluke Mfg. Co., Inc.

Theory of Operation

DETAILED DESCRIPTION

A series of 10 minor cycle conversions occurs without taking time for an autozero phase between the conversions. These minor cycle conversions, or samples, occur at a rate of 25 per second, and are used to provide the fast response bar-graph display and fast autoranging.

New samples are taken every 40 ms. Ten samples are summed to produce a full-resolution digital display, with full scale greater than 3200 counts. A 50-ms autozero phase occurs following every 10 sample sequence.

Table 2-1. S1 Function Codes

FUNCTION	B0	B1	B2
ACV	1	1	1
DCV	0	1	1
300 mV	0	0	0
Ohms	0	0	1
	1	0	0
ACA	1	1	0
DCA	0	1	0

1 = VDD
0 = (common)

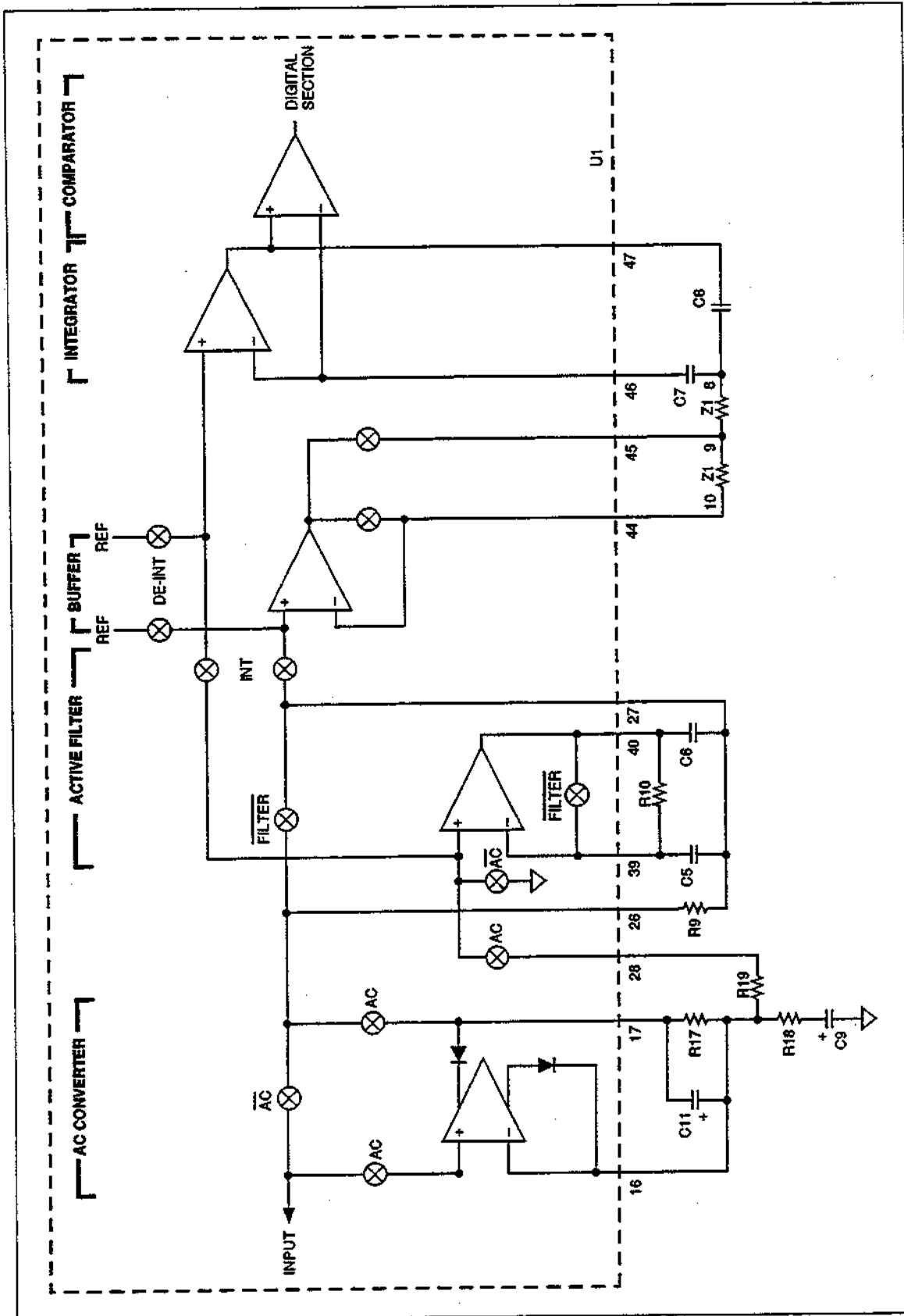


Figure 2-3. AC and A/D Converter

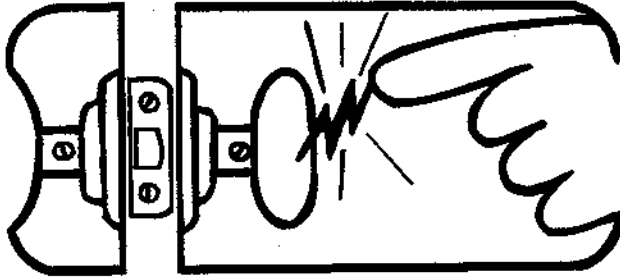
Theory of Operation
DETAILED DESCRIPTION



static awareness



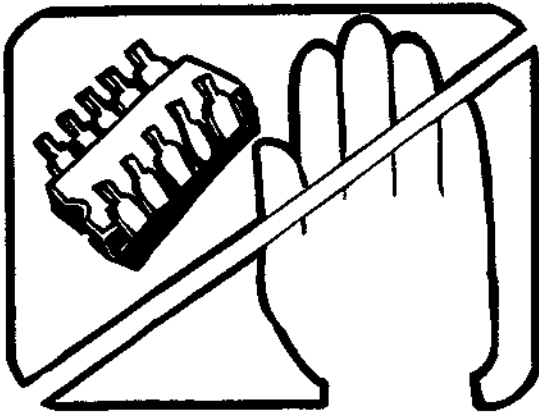
A Message From
Fluke Corporation



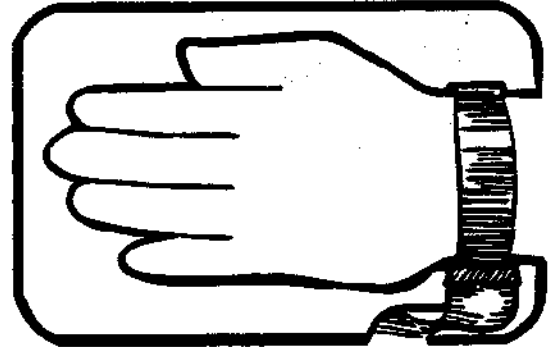
Some semiconductors and custom IC's can be damaged by electrostatic discharge during handling. This notice explains how you can minimize the chances of destroying such devices by:

1. Knowing that there is a problem.
2. Learning the guidelines for handling them.
3. Using the procedures, packaging, and bench techniques that are recommended.

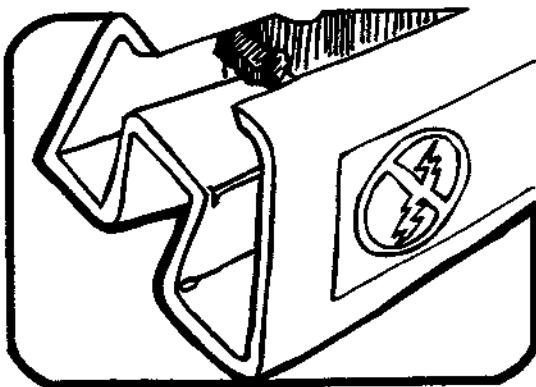
The following practices should be followed to minimize damage to S.S. (static sensitive) devices.



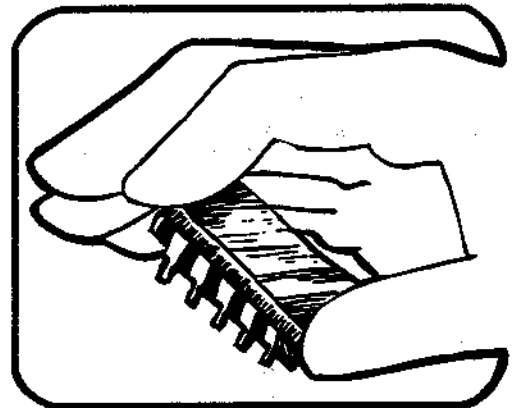
1. MINIMIZE HANDLING



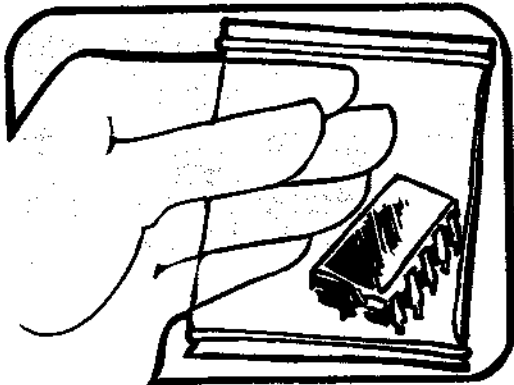
3. DISCHARGE PERSONAL STATIC BEFORE HANDLING DEVICES. USE A HIGH RESISTANCE GROUNDING WRIST STRAP.



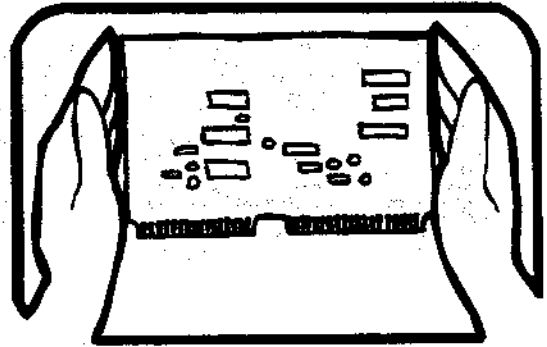
2. KEEP PARTS IN ORIGINAL CONTAINERS UNTIL READY FOR USE.



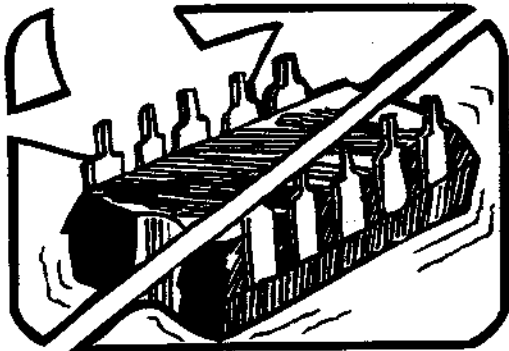
4. HANDLE S.S. DEVICES BY THE BODY.



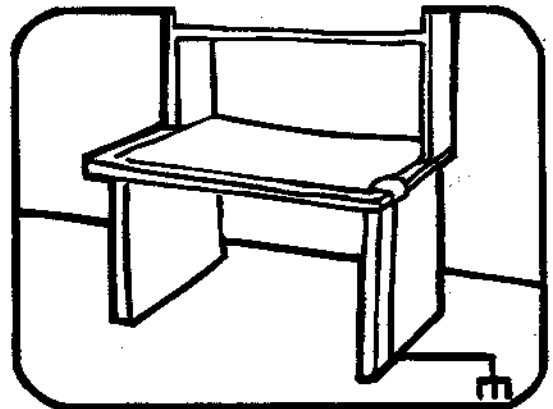
5. USE STATIC SHIELDING CONTAINERS FOR HANDLING AND TRANSPORT.



8. WHEN REMOVING PLUG-IN ASSEMBLIES HANDLE ONLY BY NON-CONDUCTIVE EDGES AND NEVER TOUCH OPEN EDGE CONNECTOR EXCEPT AT STATIC-FREE WORK STATION. PLACING SHORTING STRIPS ON EDGE CONNECTOR HELPS PROTECT INSTALLED S.S. DEVICES.



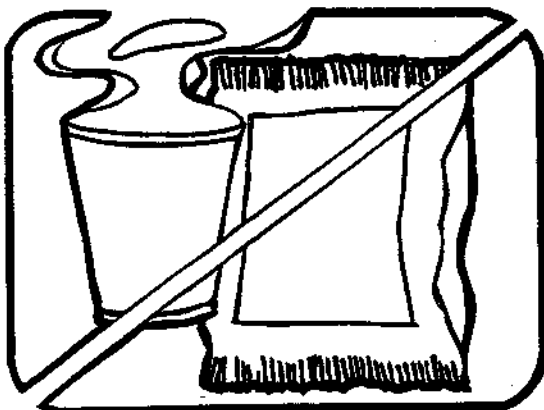
6. DO NOT SLIDE S.S. DEVICES OVER ANY SURFACE.



9. HANDLE S.S. DEVICES ONLY AT A STATIC-FREE WORK STATION.

10. ONLY ANTI-STATIC TYPE SOLDER-SUCKERS SHOULD BE USED.

11. ONLY GROUNDED-TIP SOLDERING IRONS SHOULD BE USED.



7. AVOID PLASTIC, VINYL AND STYROFOAM® IN WORK AREA.

PORTIONS REPRINTED
WITH PERMISSION FROM TEKTRONIX INC.
AND GENERAL DYNAMICS, POMONA DIV.

Section 3 Maintenance

CONTENTS

	PAGE
3-1. INTRODUCTION	3-2
3-2. PCA ACCESS AND GENERAL MAINTENANCE	3-2
3-3. DISPLAY ACCESS	3-4
3-4. CLEANING	3-4
3-5. PERFORMANCE TESTS	3-5
3-6. Initial Procedure	3-5
3-7. Display Test	3-5
3-8. DC Voltage Test	3-5
3-9. AC Voltage Test	3-6
3-10. Resistance Test	3-6
3-11. Diode Test	3-7
3-12. DC mA Test (75/21 & 77/23 Only)	3-8
3-13. DC Amps Test (73, 75/21, and 77/23 Only)	3-8
3-14. CALIBRATION	3-8
3-15. TROUBLESHOOTING	3-8
3-16. Supplemental Troubleshooting Procedures	3-11
3-17. CHECKING THE CRYSTAL OSCILLATOR	3-11
3-18. CHECKING THE REFERENCE VOLTAGE	3-11
3-19. CHECKING DISPLAY DRIVE VOLTAGE	3-11
3-20. CHECKING BEEPER DRIVE SIGNAL	3-11
3-21. TRACING THE VDC SIGNAL PATH	3-11

Maintenance

WARNING

THESE SERVICE INSTRUCTIONS ARE FOR USE BY QUALIFIED PERSONNEL ONLY. TO AVOID ELECTRIC SHOCK, DO NOT PERFORM ANY SERVICING OTHER THAN THAT CONTAINED IN THE OPERATOR'S MANUAL UNLESS YOU ARE QUALIFIED TO DO SO.

INTRODUCTION**3-1.**

This section contains maintenance information for the performance testing, calibration, general maintenance, and troubleshooting of the 70, 73, 75, 77, 21, and 23 Series II Multimeters (collectively called the Series II meters). For operator maintenance and instrument specifications, refer to the Users Manual.

The performance tests are recommended as a preventive maintenance tool to verify proper instrument operation. A one year calibration cycle is recommended to maintain the specifications given in the Users Manual. Test equipment required for the performance tests and calibration is listed in Table 3-1. If the recommended equipment is not available, instruments with equivalent specifications may be used.

PCA ACCESS AND GENERAL MAINTENANCE**3-2.****WARNING**

TO AVOID ELECTRICAL SHOCK, REMOVE THE TEST LEADS BEFORE OPENING THE CASE, AND CLOSE THE CASE BEFORE OPERATING THE METER. TO PREVENT FIRE, INSTALL FUSES WITH THE RATING SHOWN ON BACK OF THE METER.

CAUTION

To avoid contaminating the pca with oil from the fingers, handle it by the edges or wear gloves. PCA contamination may not cause immediate instrument failure in controlled environments. Failures typically show up when contaminated units are operated in humid areas.

Use the following procedure for removing the pca (printed circuit assembly) from its case:

1. Set the function switch to OFF, and disconnect test leads if they are installed.
2. Remove the four Phillips screws from the bottom cover.
3. Turn the meter face up, grasp the top cover, and pull the top cover from the meter.
4. Some Series II meters have a fuse on the lower portion of the pca. This fuse must be removed to access the screw that holds the pca to the case bottom.

NOTE

Be careful not to lose the spring located directly under the screw on the back side of the pca.

5. The pca may now be removed from the bottom cover.

Table 3-1. Recommended Test Equipment

INSTRUMENT TYPE	REQUIRED CHARACTERISTICS	RECOMMENDED MODEL
PREFERRED		
DMM Calibrator	John Fluke 5100B Family	John Fluke Models 5100B, 5101B, 5102B, 5700A
ALTERNATE		
DCV Calibrator	DC Voltage Range: 0 to 1000V Accuracy: $\pm .05\%$	
ACV Calibrator	AC Voltage Range: 0 to 750V Accuracy: $\pm 0.4\%$	
Current Calibrator	Frequency Range: 40 Hz to 1 kHz DC mA: 0 to 300 mA DCA: 0 to 2A Accuracy: 0.3%	
Decade Resistor	Resistance: 0 to 30 M Ω Accuracy: $\pm .1\%$ Resistance: 0 to 10 M Ω Accuracy: 0.1%	
		General Resistance RDS-77B ESI DB-62

DISPLAY ACCESS

3-3.

CAUTION

Do not handle the conductive edges of the LCD interconnects. If contaminated, clean with alcohol.

Refer to Figure 3-1.

1. Remove the four Phillips screws from the back side of the pca.
2. Remove the LCD mounting bracket.
3. Insert a small screwdriver under the edges of the display holding bracket, and gently pry the bracket loose from the snaps.
4. Turn the bracket upside down to remove the LCD.
5. Before installing a new LCD, make sure that all connector contact points are clean.

CLEANING

3-4.

CAUTION

To avoid damaging the meter, do not use aromatic hydrocarbons or chlorinated solvents for cleaning. These solutions will react with the plastics used in the instruments.

Do not allow the LCD to get wet. Remove the display assembly before washing the pca and do not install until the pca is completely dry.

Do not use detergent of any kind for cleaning the pca.

Do not remove lubricants from the switch when cleaning the pca.

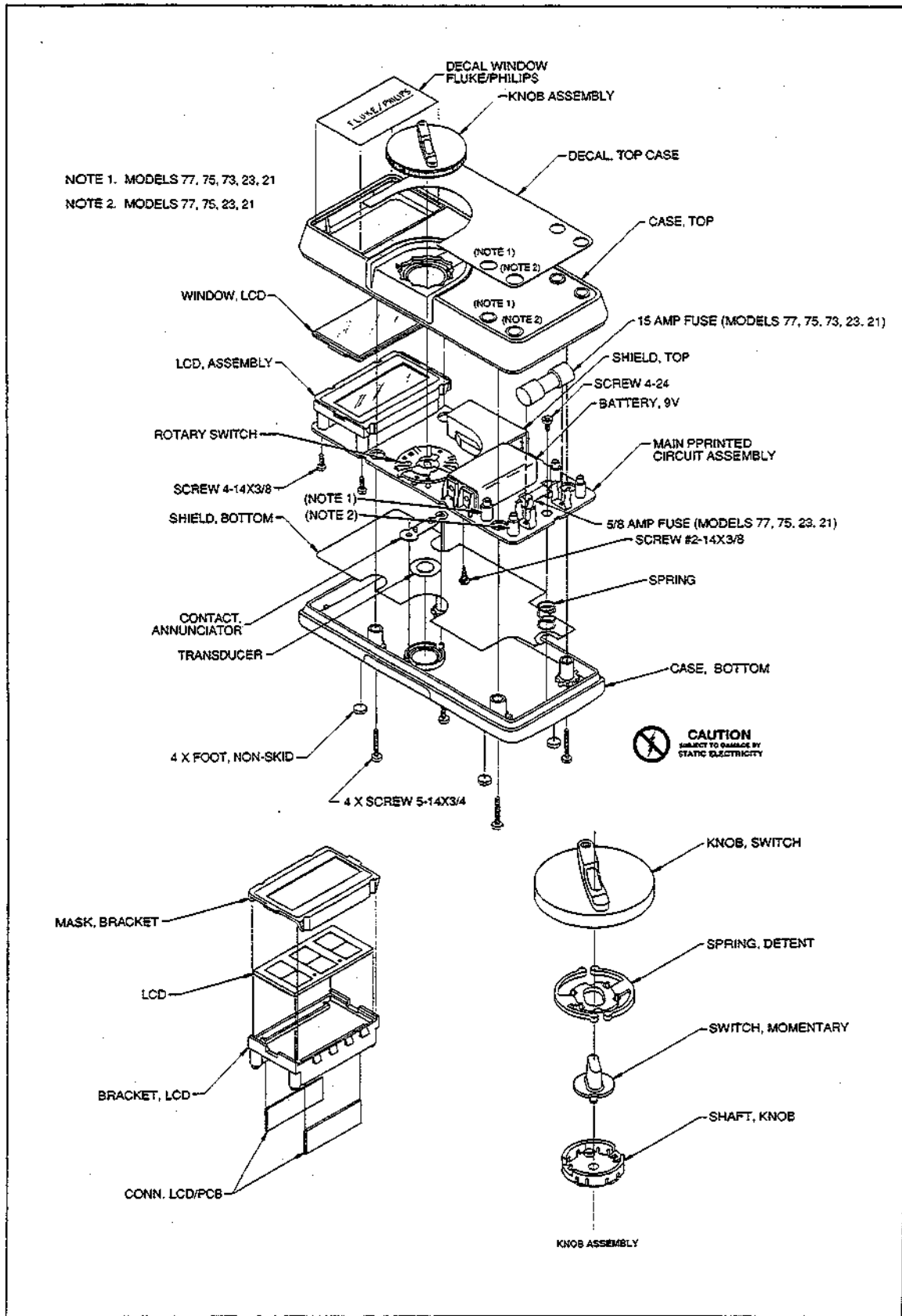


Figure 3-1. Assembly Details

Clean the instrument case with a mild detergent and water.

The pca may be washed with isopropyl alcohol or deionized water and a soft brush. Remove the display assembly and fuses before washing, and avoid washing the switch if possible. Dry the pca with clean dry air at low pressure, then bake it at 50°C for 24 hours.

PERFORMANCE TESTS

3-5.

Performance tests are recommended for incoming inspection, periodic maintenance, and for verifying the specifications in the Users Manual. If the instrument fails any part of the test, calibration and/or repair is indicated.

In the performance tests, the Fluke Series II meters are referred to as the unit under test (UUT).

Initial Procedure

3-6.

1. Allow the UUT to stabilize to room temperature $23^{\circ}\text{C} \pm 5^{\circ}\text{C}$ ($73^{\circ}\text{F} \pm 9^{\circ}\text{F}$).
2. Check the fuses and battery, and replace them if necessary.

WARNING

TO PREVENT FIRE, INSTALL FUSES IN ACCORDANCE WITH THE RATING SHOWN ON THE BACK OF THE METER.

Display Test

3-7.

To test the display, turn the UUT on and check whether all display segments come on as indicated in Figure 3-2.

DC Voltage Test

3-8.

WARNING

CONNECT THE GROUND/Common/LOW SIDE OF THE DC CALIBRATOR TO COM ON THE UUT.

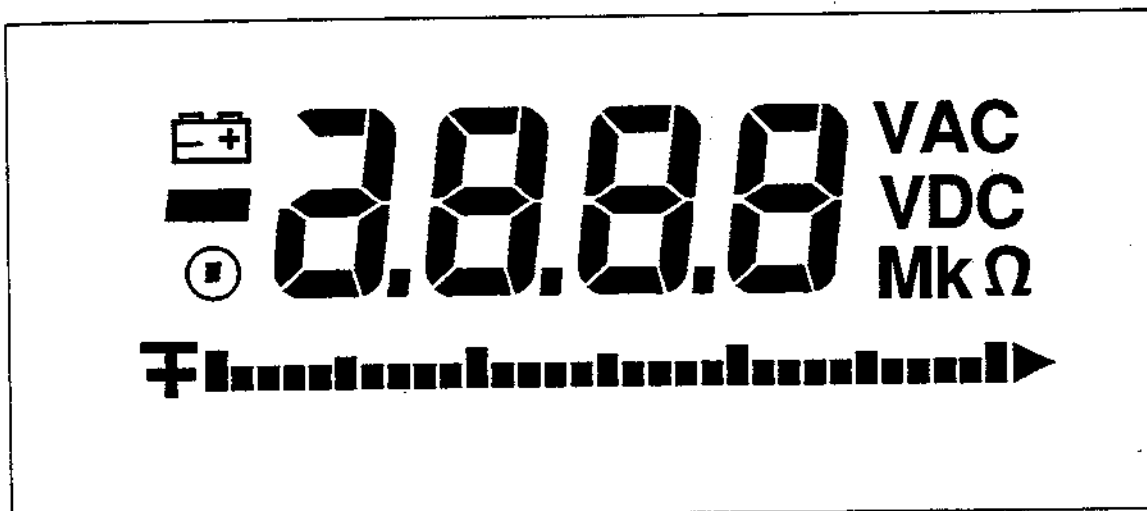


Figure 3-2. Display

1. Set the UUT function switch to VDC, and connect the DC Voltage Calibrator output to the $\nu\Omega\rightarrow$ and COM input terminals of the UUT.
2. Referring to Table 3-2, set the DC Voltage Calibrator for the output indicated in steps 1 through 4 only. Verify that the UUT display reading is within the limits shown.

Table 3-2. DC Voltage Test

STEP	DC INPUT VOLTAGE	DISPLAY READING		
		70	73/75/21	77/23
1	+2.7V	2.685 to 2.715	2.688 to 2.712	2.691 to 2.709 V DC
2	+27V	26.85 to 27.15	26.88 to 27.12	26.91 to 27.09 V DC
3	+270V	268.5 to 271.5	268.8 to 271.2	269.1 to 270.9 V DC
4	+1000V	993 to 1007	995 to 1005	995 to 1005 V DC
*5	+300 mV	298.4 to 301.6	298.7 to 301.3	299.0 to 301.0 V DC
*300 mV function only				

3. Set the DC Voltage Calibrator for an output of +300 mV, and switch the UUT to the 300 mV function. Verify that the UUT display reading is within the limits shown in Table 3-2 (step 5).

AC Voltage Test

3-9.

WARNING

CONNECT THE GROUND/COMMON/LOW SIDE OF THE AC CALIBRATOR TO COM ON THE UUT.

1. Set the UUT function switch to VAC, and connect the AC Voltage Calibrator to the $\nu\Omega\rightarrow$ and COM input terminals.
2. Set the AC Voltage Calibrator for the output given in Table 3-3, and verify that the UUT display reading is within the limits shown.

NOTE

When the input is open in the VAC function, it is normal for the 70 Series II meters to read some counts on the display. This is due to ac pickup in the ac amplifier when the ac amplifier is unterminated.

Table 3-3. AC Voltage Test

INPUT			DISPLAY READING 70, 73, 75/21 and 77/23
STEP	VOLTAGE	FREQ.	
1	2.7V	100 Hz	2.644 to 2.756 V AC
2	2.7V	500 Hz	2.644 to 2.756 V AC
3	750V	100 Hz	733 to 767 V AC
4	750V	1000 Hz	733 to 767 V AC

Resistance Test

3-10.

1. Select the ohms function on the UUT.
2. Connect the Ohms Calibrator or Decade Resistor to the $V\Omega$ and COM input terminals of the UUT.
3. Referring to Table 3-4, set the Ohms Calibrator or Decade Resistor to the resistance value indicated in steps 1 through 6. Verify that the display reading is within the limits shown.

Table 3-4. Resistance Test

STEP	INPUT RESISTANCE	DISPLAY READING
1	short	0.0 to 0.2 Ω
Decades of 1:		
2	100 Ω	99.3 to 100.7 Ω (plus 0 reading)
3	1 k Ω	994 to 1006 Ω
4	10 k Ω	9.994 to 10.06 k Ω
5	100 k Ω	99.94 to 100.6 k Ω
6	1 M Ω	.994 to 1.006 M Ω
7	10 M Ω	9.79 to 10.21 M Ω
Decades of 1.9:		
2	190 Ω	188.8 to 191.2 Ω (plus 0 reading)
3	1.9 k Ω	1889 to 1911 Ω
4	19 k Ω	18.89 to 19.11 k Ω
5	190 k Ω	188.9 to 191.1 k Ω
6	1.9 M Ω	1.889 to 1.911 M Ω
7	19 M Ω	18.61 to 19.39 M Ω
Decades of 2.7:		
2	270 Ω	268.4 to 271.6 Ω (plus 0 reading)
3	2.7 k Ω	2685 to 2715 Ω
4	27 k Ω	26.85 to 27.15 k Ω
5	270 k Ω	268.5 to 271.5 k Ω
6	2.7 M Ω	2.685 to 2.715 M Ω
7	27 M Ω	26.45 to 27.55 M Ω

Diode Test

3-11.

To test the Series II meters, perform the following steps:

1. Set the UUT to the Diode Test function.

NOTE

On Fluke 5100 series calibrators, activate the 50 Ω divider override.

2. Apply an input from the DC Voltage Calibrator of +.090V dc to the $V\Omega$ and COM input terminals of the UUT, and verify that the beeper is on.
3. Increase the DC Voltage Calibrator output to +.110V dc, and verify that the beeper is off.

DC mA Test (75/21 & 77/23 Only)

3-12.

1. Set the output of the DC Current Calibrator to zero, and connect it to the 300mA and COM input terminals of the UUT.
2. Set the DC Current Calibrator to the output shown in Table 3-5, and verify that the UUT display reading is within the limits shown.

Table 3-5. DC mA Test

STEP	INPUT CURRENT	DISPLAY READING 75/21 & 77/23
1	+27 mA	26.57 to 27.43 DC
2	+200 mA	196.8 to 203.2 DC

DC Amps Test (73, 75/21, and 77/23 Only)

3-13.

1. Set the DC Current Calibrator to standby and connect it to the 10A and COM input terminals of the UUT.
2. Apply currents as indicated in Table 3-6, and verify that the display reading is within the limits shown.

Table 3-6. DC Amps Test

STEP	INPUT CURRENT (5100B)	DISPLAY READING
1	+1.99999A dc	1.95 to 2.05 DC

CALIBRATION

3-14.

1. Set the DC Voltage Calibrator to zero, and set the UUT to the VDC function.
2. Remove the case top cover as previously described.
3. Connect the DC Voltage Calibrator to the v_{Ω} and COM input terminals of the UUT.
4. Set the DC Voltage Calibrator for an output of +3.000V dc, and adjust R8 for a display reading of +3.000V dc \pm .001V.

TROUBLESHOOTING

3-15.

A troubleshooting tree for the Series II meters is given in Figure 3-3. Faults are listed in the order of probability. This tree gives a systematic approach to isolation of problems to a component or component area. Complete the procedures in the order listed in this table; all measurements are made with respect to common.

Also, supplemental troubleshooting procedures are presented in the following paragraphs.

When troubleshooting the 70 Series II meters, use the precautions listed on the static awareness sheet to prevent damage from static discharge.

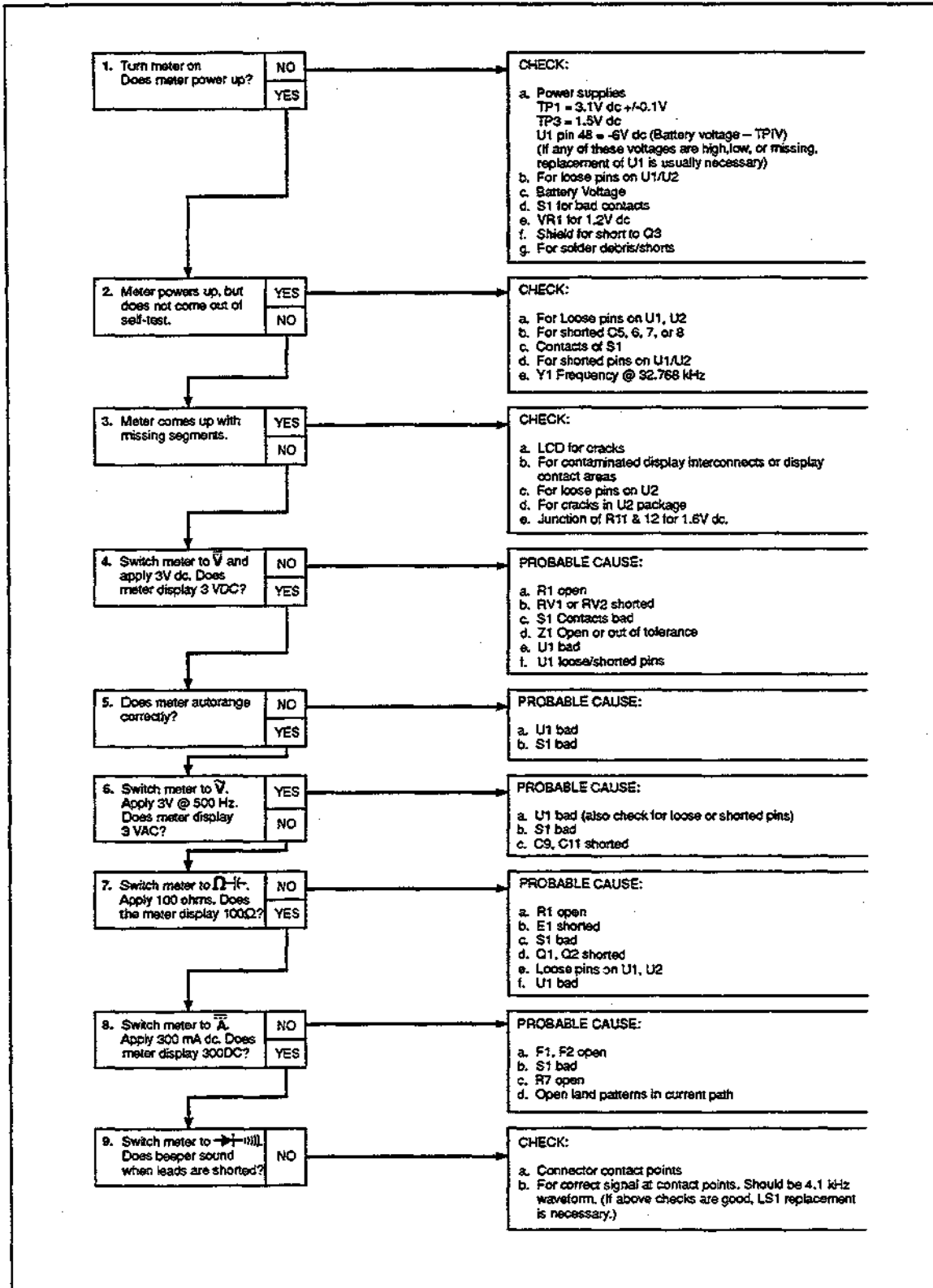


Figure 3-3. Troubleshooting Tree

Supplemental Troubleshooting Procedures 3-16.

CHECKING THE CRYSTAL OSCILLATOR 3-17.

Connect an oscilloscope or counter to pin 54 of U1 or to the junction of C12 and the Y1 crystal. Check for a 32.768-kHz sine wave approximately 600 mV p-p in amplitude. Note that U2 and the display will not work if the clock circuit is not working.

Probable related failures include: U1, Y1, or C12.

CHECKING THE REFERENCE VOLTAGE 3-18.

Check for a reference voltage of 1.00V dc (adjustable by R8) at pin 14 of U1 or at the junction of R15 and R16.

Probable related failures include: R8, R14, R15, R16, VR1, or CR2.

CHECKING DISPLAY DRIVE VOLTAGE 3-19.

Check that VM (V middle) is 1.6V dc \pm .1V at pin 28 of U2 or at the junction of R11 and R12.

Probable related failures include: R11 or R12.

CHECKING BEEPER DRIVE SIGNAL 3-20.

Put the unit in the Diode Test Mode and short the input leads. Using an oscilloscope, measure the signal at pin 3 of U1. The signal should be a 4V p-p symmetrical square wave at about 4.1 kHz.

A probable related failure is: U1.

TRACING THE VDC SIGNAL PATH 3-21.

Use the following procedure to trace the VDC signal path:

1. Set the UUT to the VDC function and apply 2V dc to the input.
2. Using a DVM, measure the input at J1 for 2V dc.
3. Measure pin 1 of Z1 input divider for 2V dc. Probable related failures include: R1, S1, RV1, or RV2.

NOTE

Measurements in steps 4, 5, and 6 may be affected by loading.

4. Measure Z1 pin 3 for 200 mV dc. Probable related failures are: Z1, U1.
5. Measure for 200 mV dc at the active filter input (AFI, pin 26 of U1 or R9). A probable failure is: U1.
6. Measure for 200 mV at the active filter output (AFO, pin 27 of U1 or R9). Probable related failures are: R9, C5, or C6.

WARNING

R1 IS A FUSIBLE RESISTOR. TO ENSURE SAFETY, USE EXACT REPLACEMENT ONLY.

Section 4

List of Replaceable Parts

CONTENTS

TITLE	DRAWING NUMBER	TABLE NO.	PAGE NO.	FIGURE NO.	PAGE NO.
Final Assembly (77,75,23,21)	FLUKE-77-2 T&B	4-1	4-5	4-1	4-6
A1 Main PCA (77,75,23,21)	FLUKE-77-2-4021	4-2	4-8	4-2	4-9
Final Assembly (73)	FLUKE-73-2-T&B	4-3	4-10	4-3	4-11
A1 Main PCA (73)	FLUKE-73-2-4021	4-4	4-13	4-4	4-14
Final Assembly (70)	FLUKE-70-2-T&B	4-5	4-15	4-5	4-16
A1 Main PCA (70)	FLUKE-70-2-4021	4-6	4-18	4-6	4-19

List of Replaceable Parts

INTRODUCTION

4-1.
Parts are listed alphanumerically by reference designator or item number. Each part is shown in an accompanying illustration unless otherwise noted.

Parts lists include the following information:

- Reference designation or item number
- Description of each part
- Fluke part number
- Manufacturer's supply code
- Manufacturer's part number
- Total quantity of components per assembly

HOW TO OBTAIN PARTS

4-2.
Use the Fluke Stock Number when ordering all components from the John Fluke Mfg. Co., Inc. or an authorized representative. In the U.S., order directly from the Fluke Parts Department by calling 1-800-526-4731.

Some components may be ordered directly from the manufacturer using the manufacturer's part number.

In the event the part your order has been replaced by a new or improved part, the replacement will be accompanied by an explanatory note and installation instructions, if necessary.

To ensure prompt and efficient handling of your order, include the following information:

1. Instrument model and serial number
2. Fluke stock number
3. Description of part
4. Printed circuit assembly (pca) part number and revision letter as printed in ink on the board.
5. The reference designation or item number of the part
6. Quantity

Price information for parts is available from the John Fluke Mfg. Co., Inc., and its authorized representatives. Prices are also available in a Fluke Replacement Parts Catalog, which is available on request.

CAUTION

An asterisk (*) indicates a device that may be damaged by static discharge.

TECHNICAL SERVICE CENTERS

4-3.
A list of technical service centers is included at the end of this section.

List of Replaceable Parts

List of Replaceable Parts

Table 4-1. Final Assembly (Models 77, 75, 23, 21)
(See Figure 4-1.)

REFERENCE DESIGNATOR	FLUKE STOCK NO	MFRS SPLY CODE	MANUFACTURERS PART NUMBER OR GENERIC TYPE	TOT QTY	N O T E
-A>-NUMERIC->	S-----DESCRIPTION-----	NO--	---	---	-E-
A 1	* MAIN PCA	NON-PROCURABLE		1	
BT 1	BATTERY, 9V, 0-15MA	696534	59717 216	1	
F 1	FUSE, 5X20MM, 0.63A, 250V, FAST	740670	71400 GDA-630MA	1	
F 3	FUSE, .406X1.5, 15A, 600V, FAST	820829	71400 KTK-15	1	
H 1	SCREW, THD FORM, PH, P, STL, 4-24, .250	519116	COMMERCIAL	2	
H 2	SCREW, THD FORM, PH, P, 2-14, .375	821140	COMMERCIAL	1	
H 3	SCREW, THD FORM, PH, P, STL, 4-14, .375	448456	COMMERCIAL	4	
H 7	SCREW, THD FORM, PH, P, STL, 5-14, .750	733410	COMMERCIAL	4	
LS 1	AF TRANSD, PIEZO, 20 MM	642991	51406 7BB-20-604	1	
MP 9	SHIELD, TOP	819300	89536 819300	1	
MP 10- 13	FOOT, NON-SKID	640565	2K262 640565	4	
MP 14	CASE, BOTTOM	896316	89536 896316	1	1
MP 15	SHIELD, BOTTOM	896225	89536 896225	1	
MP 16	SPRING, COIL, COMP, M WIRE, .500, .350	697227	27745 C0360-026-0500	1	
MP 17	CASE, TOP	896311	89536 896311	1	2
MP 18	WINDOW, LCD	885850	89536 885850	1	3
MP 19	BRACKET, LCD	646653	89536 646653	1	
MP 20	MASK, BRACKET	885848	89536 885848	1	
MP 21, 22	CONN, ELASTOMERIC, LCD TO PWB, 1.900 L	649632	0K392 SG	2	
MP 23	SWITCH, KNOB	885843	89536 885843	1	4
MP 24	SHAFT, KNOB	646661	89536 646661	1	
MP 25	SPRING, DETENT	646679	89536 646679	1	
MP 26	SHOCK ABSORBER	428441	25099 428441	1	
MP 27	DECAL, CASE TOP	896332	89536 896332	1	5
MP 28	LABEL, WINDOW FLUKE-PHILIPS	844340	89536 844340	1	
MP 31	HOLSTER & FLEXSTAND ASSY	890298	89536 890298	1	6
MP 32	TEST LEADS	855742	89536 855742	1	
MP 33	MANUAL, PAMPHLET, DMM ACCESSORY LIST	825851	89536 825851	1	
S 2	SWITCH, MOMENTARY	890280	89536 890280	1	7
S 4	CONTACT, ANNUNCIATOR	642983	89536 642983	1	
TM 1	OPERATOR MANUAL	896191	89536 896191	1	
TM 2	SERVICE MANUAL	896204	89536 896204	1	
U 3	LCD, 3.75 DIGIT, BAR GRAPH, MULTIPLED	640581	62786 LS-068-C	1	

An * in 'S' column indicates a static-sensitive part.

NOTES:

- NOTE 1 = For Fluke Model 21,23 Stock No. is 895792.
- NOTE 2 = For Fluke Model 21,23 Stock No. is 745661.
- NOTE 3 = For Fluke Model 21 Stock No. is 895797.
For Fluke Model 23 Stock No. is 895826.
For Fluke Model 75 Stock No. is 896324.
- NOTE 4 = For Fluke Model 21,23 Stock No. is 748129.
- NOTE 5 = For Fluke Model 21,23 Stock No. is 895813.
- NOTE 6 = Not used on Fluke Model 21.
- NOTE 7 = For Fluke Model 21,23 Stock No. is 895800.

List of Replaceable Parts

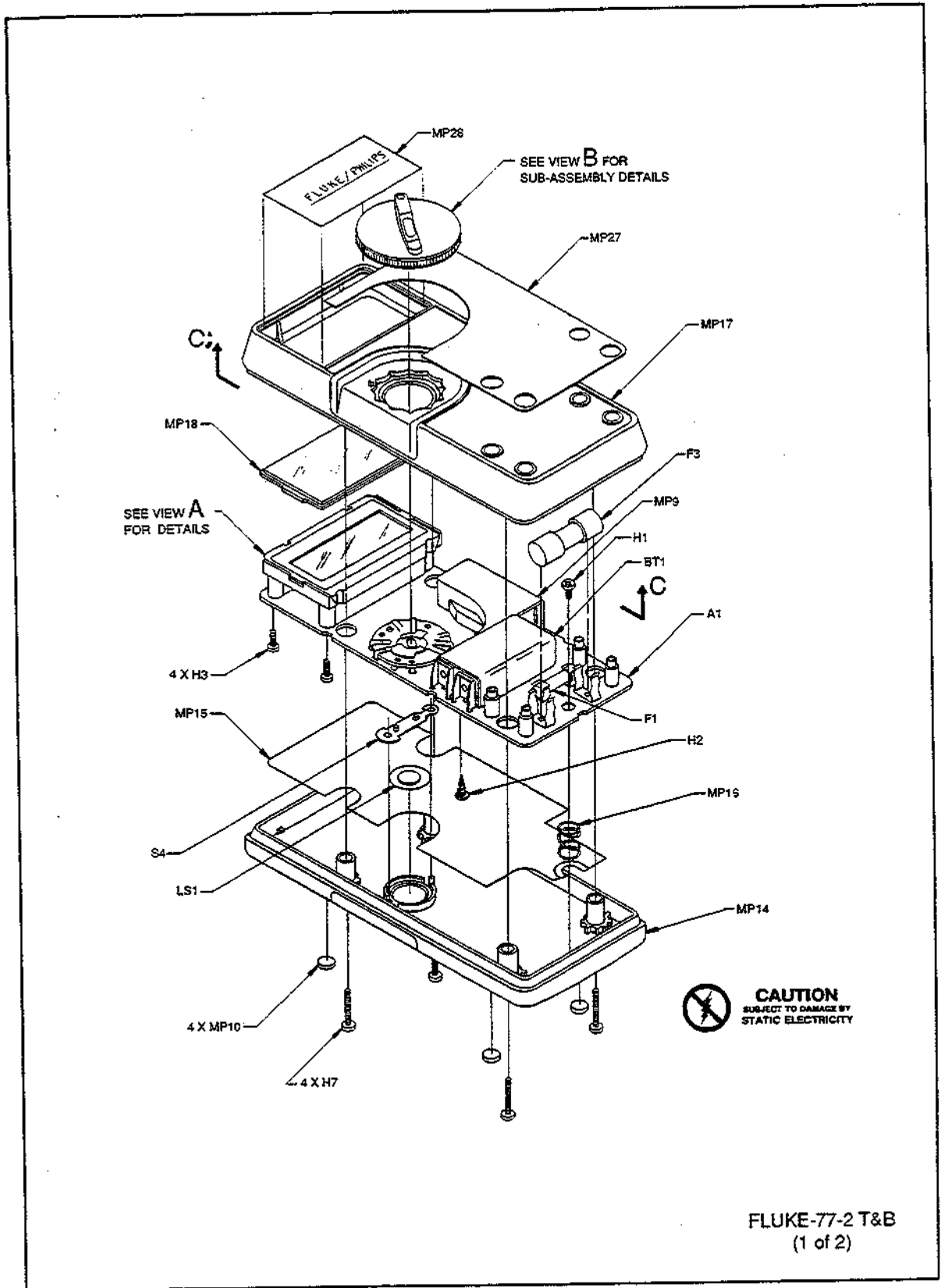
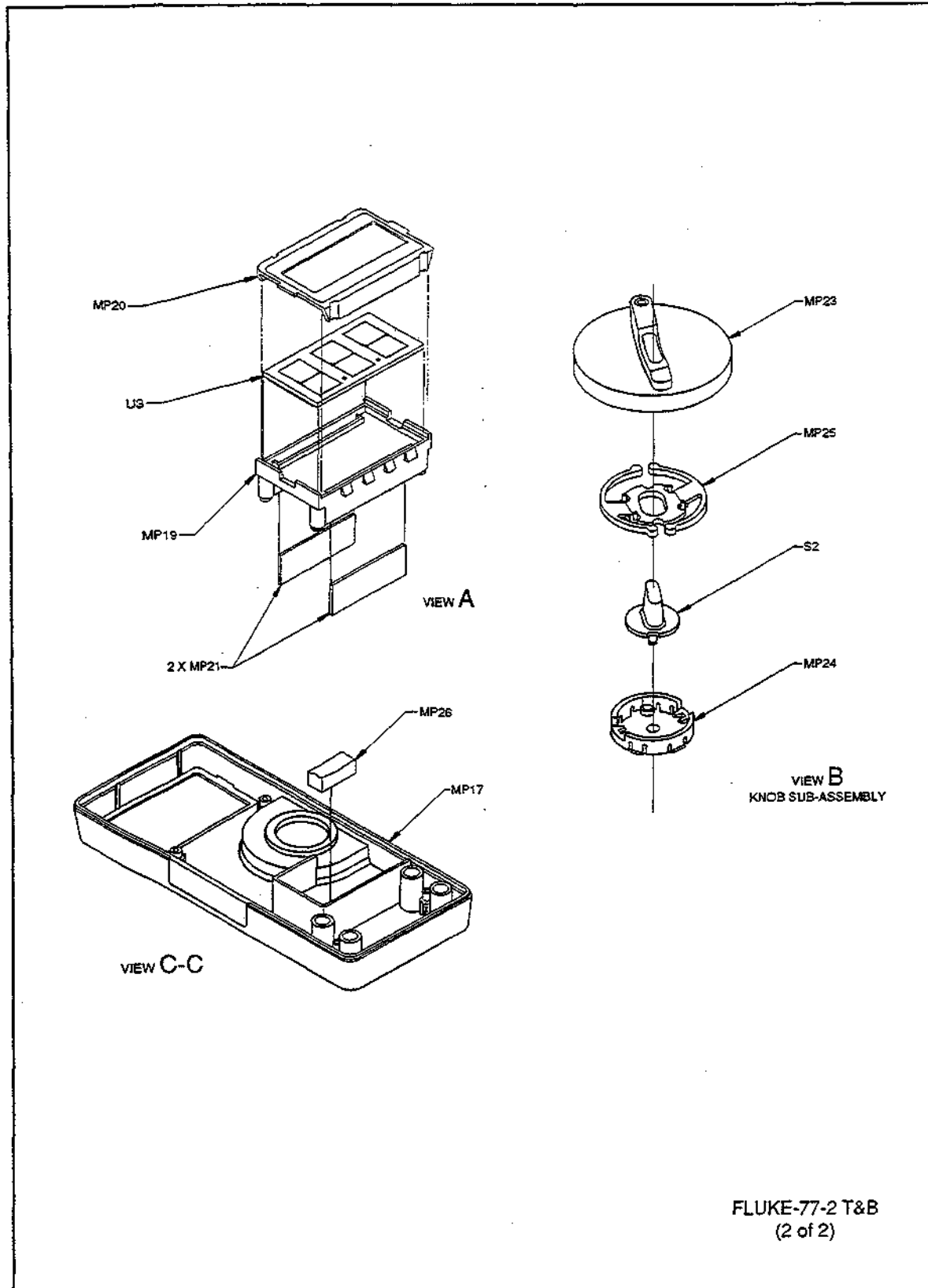


Figure 4-1. Final Assembly (Models 77, 75, 23, 21)



FLUKE-77-2 T&B
(2 of 2)

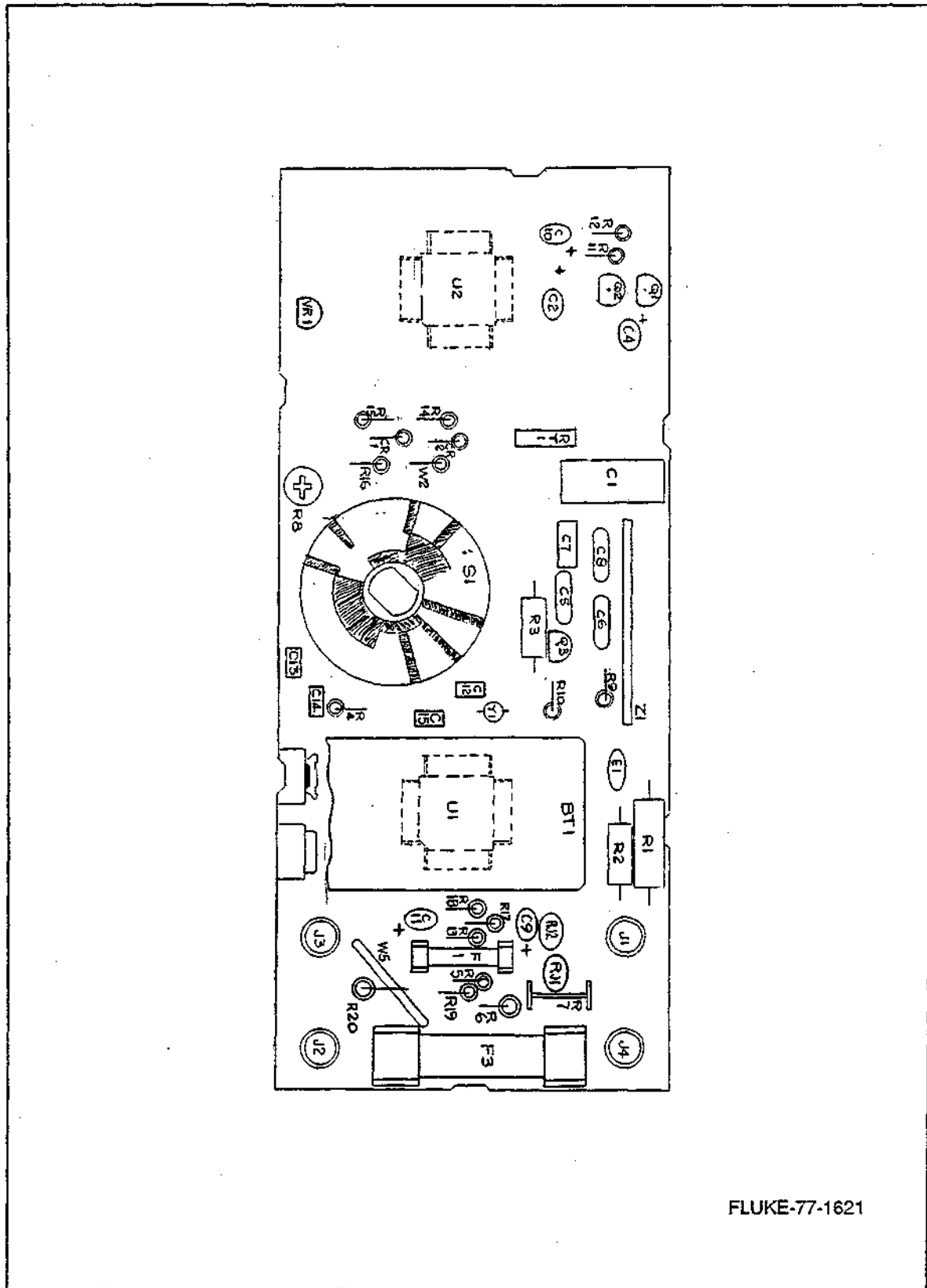
Figure 4-1. Final Assembly (Models 77, 75, 23, 21) (cont)

List of Replaceable Parts

Table 4-2. AI Main PCA (Models 77,75,23,21)
(See Figure 4-2.)

REFERENCE DESIGNATOR	FLUKE STOCK	MFRS SPLY	MANUFACTURERS PART NUMBER	TOT QTY	N O T -E
-A>-NUMERIC- -> S	NO	CODE	-OR GENERIC TYPE-		
			DESCRIPTION		
C 1	721019	60935	MKT-1.60	1	
C 2, 10	655035	56289	199D474X0035AG2	2	
C 4	650069	62643	SRAC50VB2R2M4X7C3	1	
C 5, 6	720979	68919	MKG2-272-K-63V	2	
C 7	697409	60935	185-2/0.47/K/0050/R/A/B	1	
C 8	721050	68919	MKP20-333-K-63V	1	
C 9	655043	56289	199D685X0010BG2	1	
C 11	706804	56289	199D225X0016AE2	1	
C 12	706705	04222	SR595A470MAATR1A	1	
C 13	733386	04222	SR595E224ZAATR1A	1	
C 14, 15	714543	04222	SR595A330JAATR1A	2	
CR 1, 2	659516	03508	1N4448	2	
DS 1	655134	91984	100T1	1	
J 1-4	642959	89536	642959	4	
MP 2, 3	697086	61857	H-0011-2	2	
MP 4, 5	707190	76970	707190	2	
MP 6	642967	89536	642967	1	
MP 7	654228	89536	654228	1	
Q 1, 3	685404	04713	SP88763RLRA	2	
Q 2	698225	04713	2N3904RLRA	1	
R 1	650085	91637	CMF65 1001 F T-1	1	
R 2, 3	655175	19647	MS214-105-5%-200PPM/C	2	
R 4	658963	59124	CF1-4 VT 104 J B	1	
R 5	706739	59124	MF55D4023C	1	
R 6	655019	91637	NS-2C4R99F	1	
R 7	740415	91637	SPR R005F	1	
R 8	649897	51406	RVG-0707-V-100-3-104M	1	
R 9, 19	649970	59124	CF1-4 VT 105 J B	2	
R 10	649962	59124	CF1-4 VT 155 J B	1	
R 11	655217	59124	MF50DVT3323F REEL	1	
R 12	655274	59124	MF50DVT3013F REEL	1	
R 13	706747	59124	MF50DVT4482C REEL	1	
R 14	713941	59124	CF1-4 VT 623 J B	1	
R 15	706242	59124	MF50DVT5622F REEL	1	
R 16	706234	59124	MF50DVT2053F REEL	1	
R 17	682716	59124	MF50DVT2052D REEL	1	
R 18	715219	59124	MF50DVT9201D REEL	1	
R 20	740662	23237	SPF360K	1	
RT 1	446849	54583	911P84E102YU13	1	
RV 1, 2	876193	09214	V910LSX1399	2	
S 1	642918	89536	642918	1	
U 1	683052	89536	683052	1	
U 2	659656	18520	LR3676	1	
VR 1	634451	12040	LM3852-1.2D26Z	1	
W 2	682575	91637	FRJ-55	1	
W 5	747394	60386	747394	1	
Y 1	643031	5W664	NDK-32.768	1	
Z 1	683797	89536	683797	1	

An * in 'S' column indicates a static-sensitive part.



FLUKE-77-1621

Figure 4-2. A1 Main PCA (Models 77, 75, 23, 21) (cont)

List of Replaceable Parts

Table 4-3. Final Assembly (Model 73)
(See Figure 4-3.)

REFERENCE DESIGNATOR	QUANTITY	DESCRIPTION	FLUKE STOCK NO	MFRS SPLY CODE	MANUFACTURERS PART NUMBER OR GENERIC TYPE	TOT QTY	N O T E
A	1	* MAIN PCA			NON-PROCURABLE	1	
BT	1	BATTERY, 9V, 0-15MA	696534	59717	216	1	
F	3	FUSE, .406X1.5, 15A, 600V, FAST	820829	71400	KTK-15	1	
H	1	SCREW, THD FORM, PH, P, STL, 4-24, .250	519116		COMMERCIAL	1	
H	2	SCREW, THD FORM, PH, P, 2-14, .375	821140		COMMERCIAL	1	
H	3	SCREW, THD FORM, PH, P, STL, 4-14, .375	448456		COMMERCIAL	4	
H	7	SCREW, THD FORM, PH, P, STL, 5-14, .750	733410		COMMERCIAL	4	
LS	1	AF TRANSD, PIEZO, 20 MM	642991	51406	7BB-20-604	1	
MP	9	SHIELD, TOP	819300	89536	819300	1	
MP	10-13	FOOT, NON-SKID	640565	2K262	640565	4	
MP	14	CASE, BOTTOM	896340	89536	896340	1	
MP	15	SHIELD, BOTTOM	896225	89536	896225	1	
MP	16	SPRING, COIL, COMP, M WIRE, .500, .360	697227	27745	C0360-026-0500	1	
MP	17	CASE, TOP	896337	89536	896337	1	
MP	18	WINDOW, LCD	896345	89536	896345	1	
MP	19	BRACKET, LCD	646653	89536	646653	1	
MP	20	MASK, BRACKET	885848	89536	885848	1	
MP	21, 22	CONN, ELASTOMERIC, LCD TO PWB, 1.900 L	649632	0K392	SG	2	
MP	23	SWITCH, KNOB	885843	89536	885843	1	
MP	24	SHAFT, KNOB	646661	89536	646661	1	
MP	25	SPRING, DETENT	646679	89536	646679	1	
MP	26	SHOCK ABSORBER	428441	25099	428441	1	
MP	27	DECAL, CASE TOP	896357	89536	896357	1	
MP	28	LABEL, WINDOW FLUKE-PHILIPS	844340	89536	844340	1	
MP	32	TEST LEADS	855742	89536	855742	1	
MP	33	MANUAL, PAMPHLET, DMM ACCESSORY LIST	825851	89536	825851	1	
S	2	SWITCH, MOMENTARY	890280	89536	890280	1	
S	4	CONTACT, ANNUNCIATOR	642983	89536	642983	1	
TM	1	OPERATOR MANUAL	896191	89536	896191	1	
TM	2	SERVICE MANUAL	896204	89536	896204	1	
U	3	LCD, 3.75 DIGIT, BAR GRAPH, MULTIPLIED	640581	62786	LS-068-C	1	

An * in 'S' column indicates a static-sensitive part.

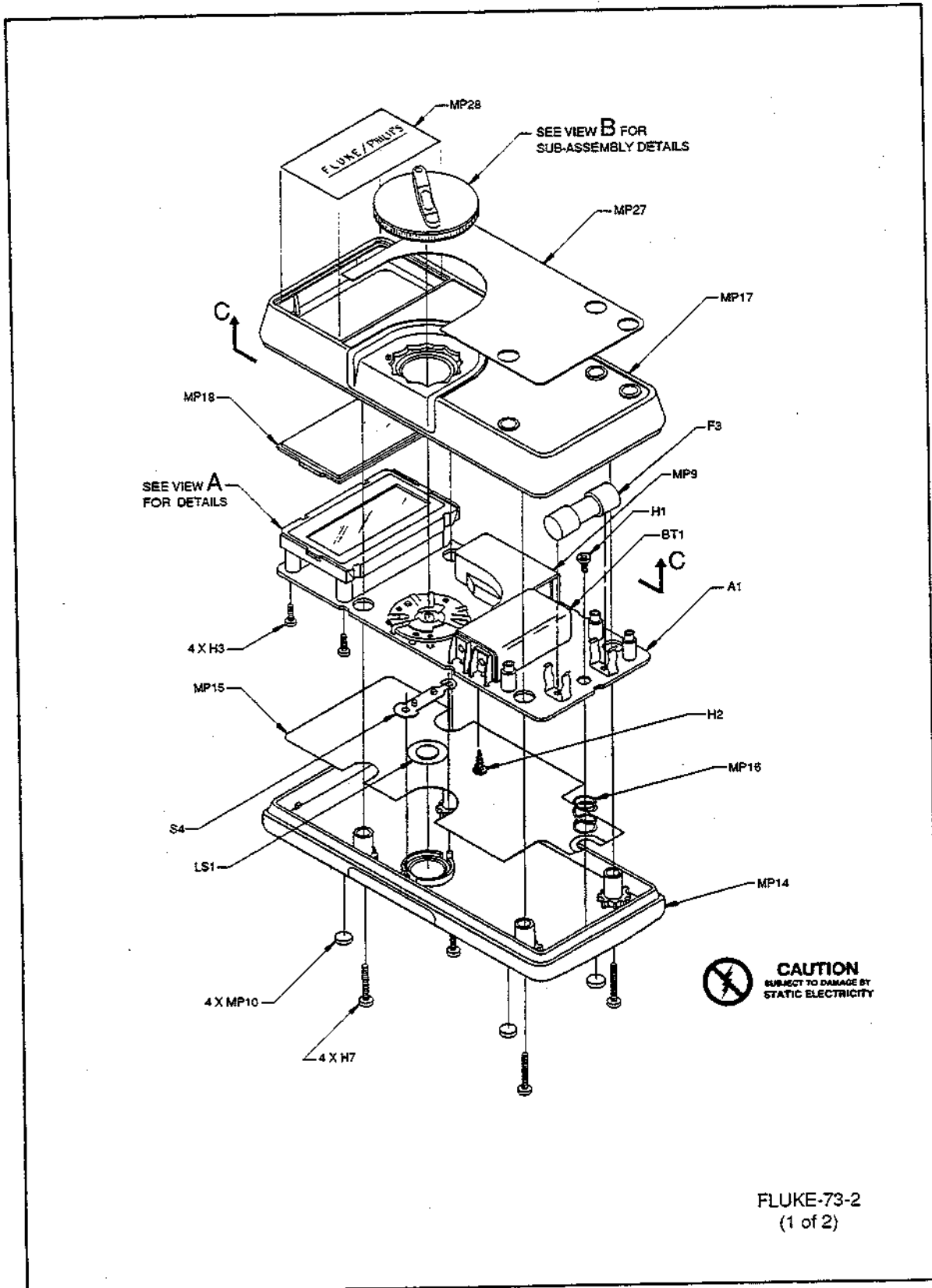


Figure 4-3. Final Assembly (Model 73)

List of Replaceable Parts

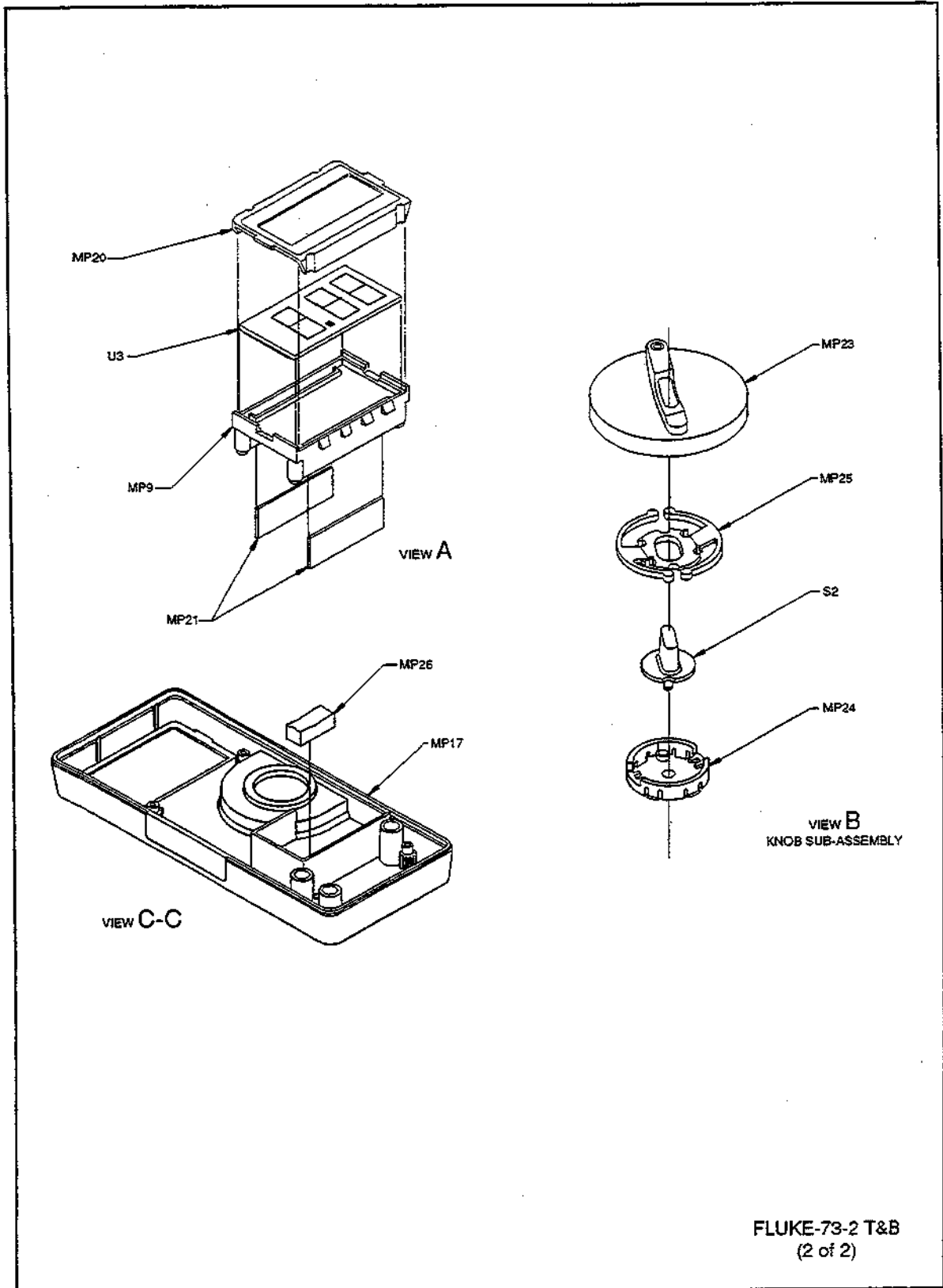


Figure 4-3. Final Assembly (Model 73) (cont)

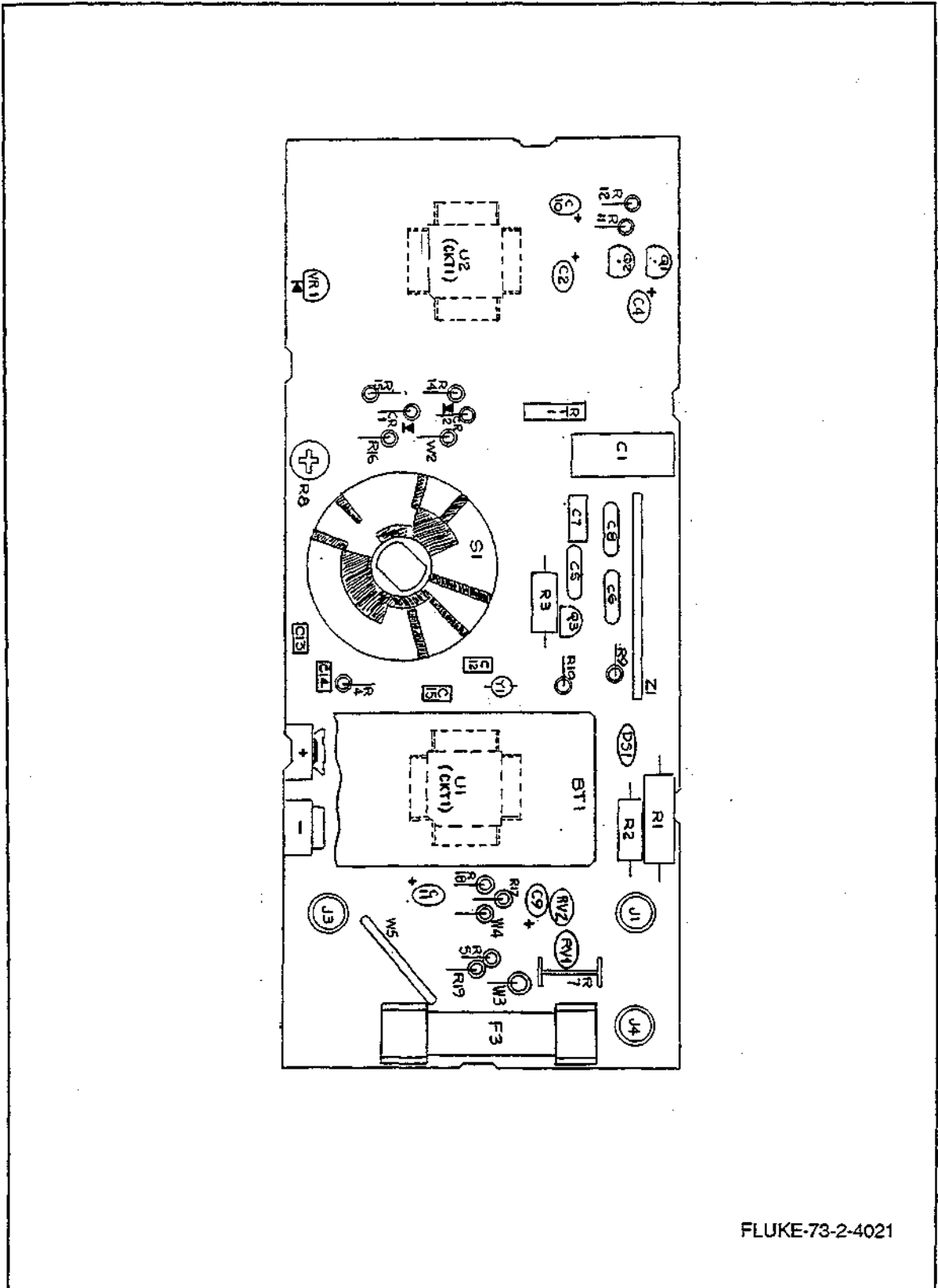
List of Replaceable Parts

Table 4-4. A1 Main PCA (Model 73)
(See Figure 4-4.)

REFERENCE DESIGNATOR	FLUXE STOCK	MFRS SPLY	MANUFACTURERS PART NUMBER	TOT QTY	N O T E
-A>-NUMERICS-->	S-----DESCRIPTION-----	--NO--	-CODE- -OR GENERIC TYPE-----	QTY-	-E-
C 1	CAP, POLYES, 0.022UF, +-10%, 1000V	721019	60935 MKT-1.60	1	
C 2, 10	CAP, TA, 0.47UF, +-20%, 35V	655035	56289 199D474X0035AG2	2	
C 4	CAP, AL, 2.2UF, +-20%, 50V	650069	62643 SRAC50VB2R2M4X7C3	1	
C 5, 6	CAP, POLYCA, 0.027UF, +-10%, 63V	720979	68919 MKC2-272-K-63V	2	
C 7	CAP, POLYES, 0.47UF, +-10%, 50V	697409	60935 185-2/0.47/K/0050/R/A/B	1	
C 8	CAP, POLYPR, 0.033UF, +-10%, 63V	721050	68919 MKP20-333-K-63V	1	
C 9	CAP, TA, 6.8UF, +-20%, 10V	655043	56289 199D685X0010BG2	1	
C 11	CAP, TA, 2.2UF, +-20%, 16V	706804	56289 199D225X0016AE2	1	
C 12	CAP, CER, 47PF, +-20%, 50V, COG	706705	04222 SR595A470MAA1RIA	1	
C 13	CAP, CER, 0.22UF, +-80-20%, 50V, 25U	733386	04222 SR595E2242AA1RIA	1	
C 14, 15	CAP, CER, 33PF, +-5%, 50V, COG	714543	04222 SR595A330JA1RIA	2	
CR 1, 2	* DIODE, SI, BV= 75.0V, RADIAL INSERTED	659516	03508 1N4448	2	
DS 1	SURGE PROTECTOR, 1500V, +-20%	655134	91984 100T1	1	
J 1, 3, 4	RECEPTACLE, INPUT	642959	89536 642959	3	
MP 4, 5	600 VOLT FUSE CONTACT	707190	7G970 707190	2	
MP 6	CONTACT, BATTERY	642967	89536 642967	1	
MP 7	CONTACT, BATTERY	654228	89536 654228	1	
Q 1, 3	* TRANSISTOR, SI, NPN, SELECTED IEBO, TO-92	685404	04713 SPS8763RLRA	2	
Q 2	* TRANSISTOR, SI, NPN, SMALL SIGNAL, TO-92	698225	04713 2N3904RLRA	1	
R 1	RES, MF, 1K, +-1%, 100PPM, FILMPRF, FUSIBLE	650085	91637 CMF65 1001 F T-1	1	
R 2, 3	RES, CERM, 1M, +-5%, 1W	655175	19647 MS214-105-5%-200PPM/C	2	
R 4	RES, CF, 100K, +-5%, 0.25W	658963	59124 CF1-4 VT 104 J B	1	
R 5	RES, CF, 390K, +-5%, 0.25W	706754	59124 CF1-4 VT 394 J B	1	
R 7	RES, WW, .005, +-1%, .5W	740415	91637 SFR R005F	1	
R 8	RES, CERM, VAR, 100K, +-20%, .3W	649897	51406 RVG-0707-V-100-3-104M	1	
R 9, 19	RES, CF, 1M, +-5%, 0.25W	649970	59124 CF1-4 VT 105 J B	2	
R 10	RES, CF, 1.5M, +-5%, 0.25W	649962	59124 CF1-4 VT 155 J B	1	
R 11	RES, MF, 332K, +-1%, 0.125W, 100PPM	655217	59124 MF50DVT3323F REEL	1	
R 12	RES, MF, 301K, +-1%, 0.125W, 100PPM	655274	59124 MF50DVT3013F REEL	1	
R 14	RES, CF, 62K, +-5%, 0.25W	713941	59124 CF1-4 VT 623 J B	1	
R 15	RES, MF, 56.2K, +-1%, 0.125W, 100PPM	706242	59124 MF50DVT5622F REEL	1	
R 16	RES, MF, 205K, +-1%, 0.125W, 100PPM	706234	59124 MF50DVT2053F REEL	1	
R 17	RES, MF, 20.5K, +-0.5%, 0.125W, 100PPM	682716	59124 MF50DVT2052D REEL	1	
R 18	RES, MF, 9.20K, +-0.5%, 0.125W, 100PPM	715219	59124 MF50DVT9201D REEL	1	
RT 1	THERMISTOR, RECT., POS., 1K, +-40%, 25C	446849	54583 911P84E102XU13	1	
RV 1, 2	VARISTOR, 910, +-10%, 1.0MA	876193	09214 V910LSX1399	2	
S 1	SWITCH, ROTARY	642918	89536 642918	1	
U 1	* 8075 A/D CHIP TESTED	683052	89536 683052	1	
U 2	* IC, CMOS, 4 BIT MICROCOMPUTER	659656	18520 LR3676	1	
VR 1	* IC, 1.23V, 150 PPM T.C., BANDGAP V. REF	634451	12040 LM3852-1.2D262	1	
W 2- 4	RES JUMPER, 0.02, 0.25W	682975	91637 FRJ-55	3	
W 5	COPPER, TINNED, PVC INSUL, 18AWG, .800"	747394	60386 747394	1	
Y 1	CRYSTAL, 32.768KHZ, +-1%, 3 X 8MM	643031	5W664 NDK-32.768	1	
Z 1	* INPUT DIVIDER ASSY TESTED TF - 8077	683797	89536 683797	1	

An * in 'S' column indicates a static-sensitive part.

List of Replaceable Parts



FLUKE-73-2-4021

Figure 4-4. A1 Main PCA (Model 73)

List of Replaceable Parts

Table 4-5. Final Assembly (Model 70)
(See Figure 4-5.)

REFERENCE DESIGNATOR		FLUKE STOCK	MFRS SPLY -CODE-	MANUFACTURERS PART NUMBER -OR GENERIC TYPE-	TOT QTY-	N O T E
-A>-NUMERICS----->	S-----	-----	DESCRIPTION-----	-----	-----	-----
A	1			NON-PROCURABLE	1	
BT	1	696534	59717	216	1	
H	1	519116		COMMERCIAL	1	
H	2	821140		COMMERCIAL	1	
H	3	448456		COMMERCIAL	4	
H	7	733410		COMMERCIAL	4	
LS	1	642991	51406	78B-20-604	1	
MP	9	819300	89536	819300	1	
MP	10- 13	640565	2K262	640565	4	
MP	14	896365	89536	896365	1	
MP	15	896225	89536	896225	1	
MP	16	697227	27745	C0360-026-0500	1	
MP	17	896360	89536	896360	1	
MP	18	896373	89536	896373	1	
MP	19	646653	89536	646653	1	
MP	20	885848	89536	885848	1	
MP	21, 22	649632	OK392	SG	2	
MP	23	885843	89536	885843	1	
MP	24	646661	89536	646661	1	
MP	25	646679	89536	646679	1	
MP	26	428441	25099	428441	1	
MP	27	895784	89536	895784	1	
MP	28	844340	89536	844340	1	
MP	32	855742	89536	855742	1	
MP	33	825851	89536	825851	1	
S	2	890280	89536	890280	1	
S	4	642983	89536	642983	1	
TM	1	896191	89536	896191	1	
TM	2	896204	89536	896204	1	
U	3	640581	62786	LS-068-C	1	

An * in 'S' column indicates a static-sensitive part.

List of Replaceable Parts

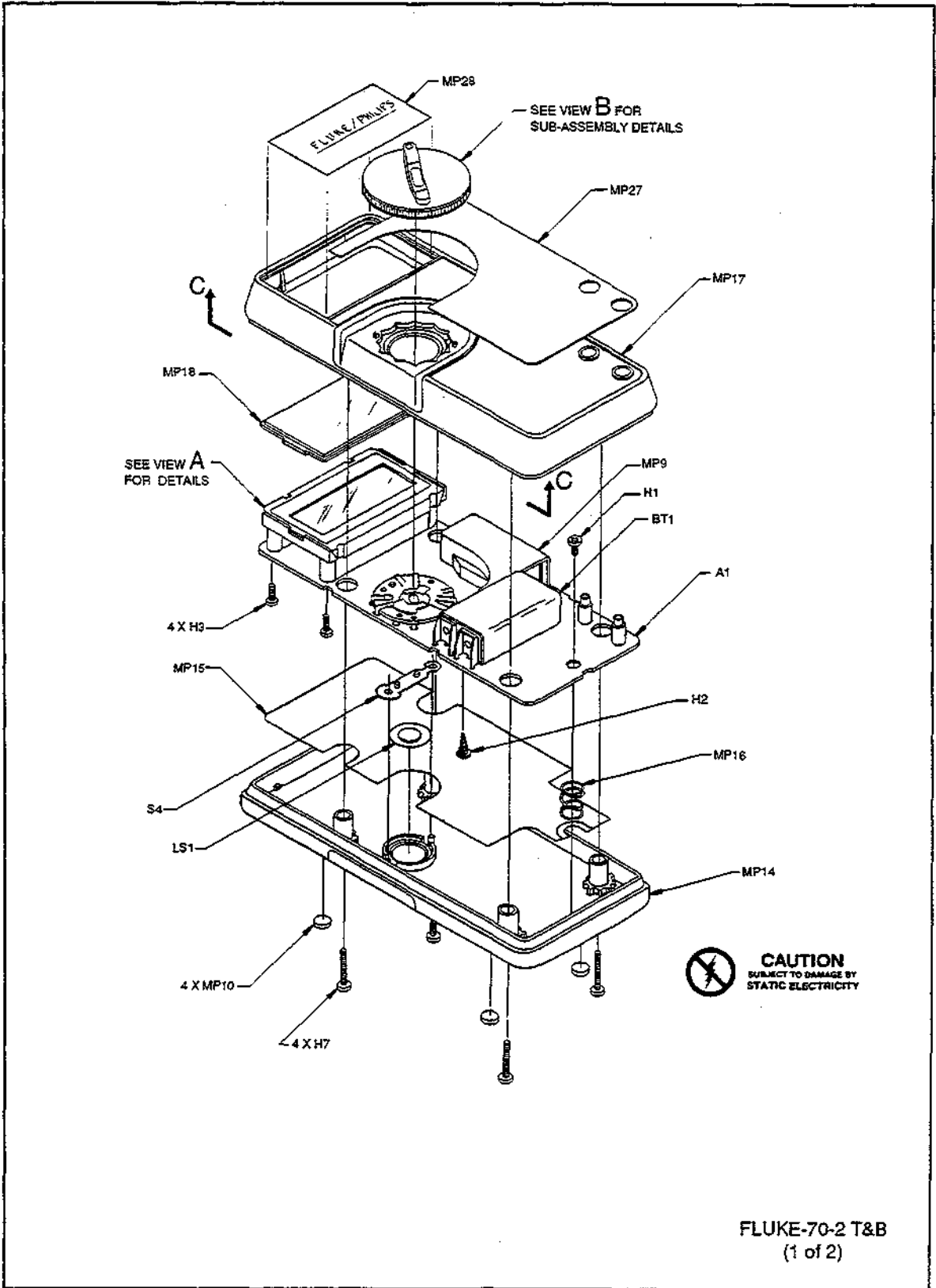


Figure 4-5. Final Assembly (Model 70)

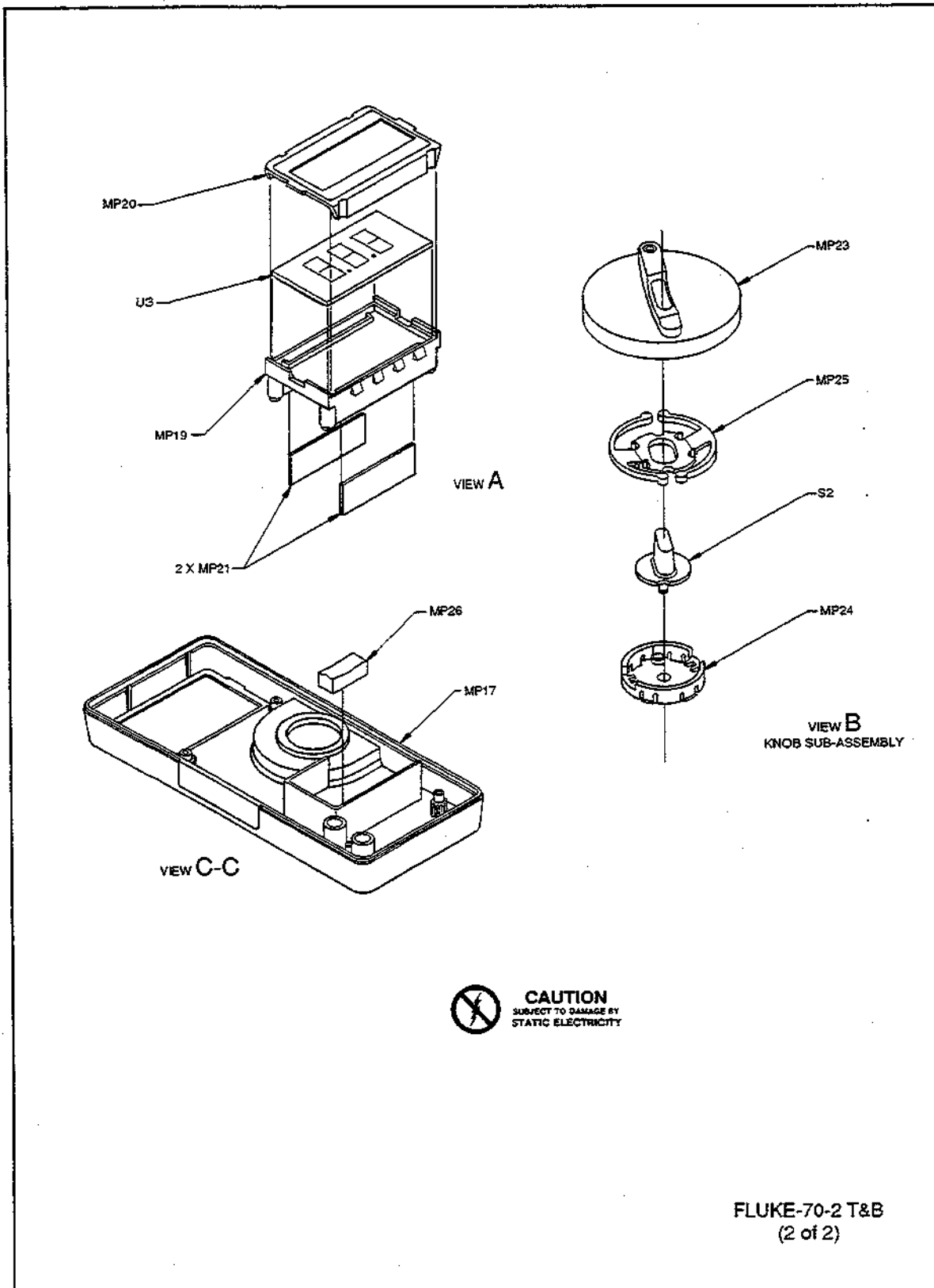


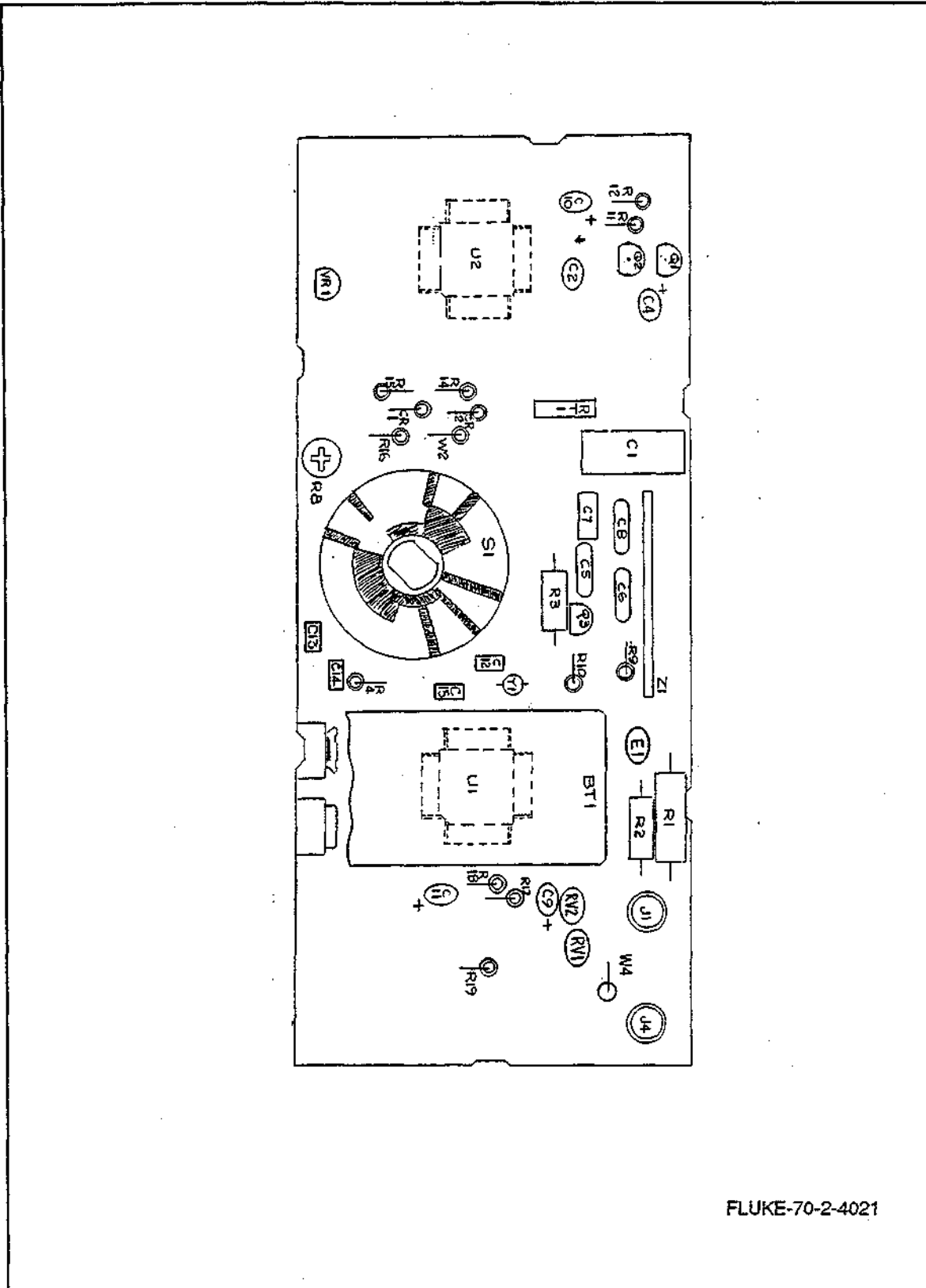
Figure 4-5. Final Assembly (Model 70) (Cont)

List of Replaceable Parts

Table 4-6. A1 Main PCA (Model 70)
(See Figure 4-6.)

REFERENCE DESIGNATOR	FLUKE STOCK	MFRS SPLY	MANUFACTURERS PART NUMBER	TOT QTY	N O T	
-A>-NUMERICS->	S	DESCRIPTION	-NO--	-CODE-	-OR GENERIC TYPE-----	-E-
C 1		CAP, POLYES, 0.022UF, +-10%, 1000V	721019	60935	MKT-1.60	1
C 2, 10		CAP, TA, 0.47UF, +-20%, 35V	655035	56289	199D474X0035AG2	2
C 4		CAP, AL, 2.2UF, +-20%, 50V	650069	62643	SRAC50VB2R2M4X7C3	1
C 5, 6		CAP, POLYCA, 0.027UF, +-10%, 63V	720979	68919	MKC2-272-K-63V	2
C 7		CAP, POLYES, 0.47UF, +-10%, 50V	697409	60935	185-2/0.47/K/0050/R/A/B	1
C 8		CAP, POLYPR, 0.033UF, +-10%, 63V	721050	68919	MKP20-333-K-63V	1
C 9		CAP, TA, 6.8UF, +-20%, 10V	655043	56289	199D685X0010BG2	1
C 11		CAP, TA, 2.2UF, +-20%, 16V	706804	56289	199D225X0016AE2	1
C 12		CAP, CER, 47PF, +-20%, 50V, COG	706705	04222	SR595A470MAATRIA	1
C 13		CAP, CER, 0.22UF, +-20%, 50V, 25U	733386	04222	SR595E2242AATRIA	1
C 14, 15		CAP, CER, 33PF, +-5%, 50V, COG	714543	04222	SR595A330JAATRIA	2
CR 1, 2		* DIODE, SI, BV= 75.0V, RADIAL INSERTED	659516	03508	1N4448	2
DS 1		SURGE PROTECTOR, 1500V, +-20%	655134	91984	100T1	1
J 1, 4		RECEPTACLE, INPUT	642959	89536	642959	2
MP 6		CONTACT, BATTERY	642967	89536	642967	1
MP 7		CONTACT, BATTERY	654228	89536	654228	1
Q 1, 3		* TRANSISTOR, SI, NPN, SELECTED IEBO, TO-92	685404	04713	SFS8763RLRA	2
Q 2		* TRANSISTOR, SI, NPN, SMALL SIGNAL, TO-92	698225	04713	2N3904RLRA	1
R 1		RES, MF, 1K, +-1%, 100PPM, FILMPRF, FUSIBLE	650085	91637	CMF65 1001 F T-1	1
R 2, 3		RES, CERM, 1M, +-5%, 1W	655175	19647	MS214-105-5%-200PPM/C	2
R 4		RES, CF, 100K, +-5%, 0.25W	658963	59124	CF1-4 VT 104 J B	1
R 8		RES, CERM, VAR, 100K, +-20%, .3W	649897	51406	RVG-0707-V-100-3-104M	1
R 9, 19		RES, CF, 1M, +-5%, 0.25W	649970	59124	CF1-4 VT 105 J B	2
R 10		RES, CF, 1.5M, +-5%, 0.25W	649962	59124	CF1-4 VT 155 J B	1
R 11		RES, MF, 332K, +-1%, 0.125W, 100PPM	655217	59124	MF50DVT3323F REEL	1
R 12		RES, MF, 301K, +-1%, 0.125W, 100PPM	655274	59124	MF50DVT3013F REEL	1
R 14		RES, CF, 62K, +-5%, 0.25W	713941	59124	CF1-4 VT 623 J B	1
R 15		RES, MF, 56.2K, +-1%, 0.125W, 100PPM	706242	59124	MF50DVT5622F REEL	1
R 16		RES, MF, 205K, +-1%, 0.125W, 100PPM	706234	59124	MF50DVT2053F REEL	1
R 17		RES, MF, 20.5K, +-0.5%, 0.125W, 100PPM	682716	59124	MF50DVT2052D REEL	1
R 18		RES, MF, 9.20K, +-0.5%, 0.125W, 100PPM	715219	59124	MF50DVT9201D REEL	1
RT 1		THERMISTOR, RECT., POS., 1K, +-40%, 25C	446849	54583	911P84E102YU13	1
RV 1, 2		VARISTOR, 910, +-10%, 1.0MA	876193	09214	V910LSX1399	2
S 1		SWITCH, ROTARY	642918	89536	642918	1
U 1		* 6075 A/D CHIP TESTED	683052	89536	683052	1
U 2		* IC, CMOS, 4 BIT MICROCOMPUTER	659656	18520	LR3676	1
VR 1		* IC, 1.23V, 150 PPM T.C., BANDGAP V. REF	634451	12040	LM385Z-1.2D262	1
W 2, 4		RES JUMPER, 0.02, 0.25W	682575	91637	FRJ-55	2
Y 1		CRYSTAL, 32.768KHZ, +-1%, 3 X 8MM	643031	5W664	NDK-32.768	1
Z 1		* RES NET THICK FILM ASSY TESTED - 8075	616870	89536	616870	1

An * in 'S' column indicates a static-sensitive part.



FLUKE-70-2-4021

Figure 4-6. A1 Main PCA (Model 70)

List of Replaceable Parts
Manufacturer's Federal Supply Codes

MANUFACTURER'S FEDERAL SUPPLY CODES

03508 General Electric Co. Semiconductor Products Dept. Auburn, NY	19647 Caddock Electronics Inc. Riverside, CA	59124 KOA-Speer Electronics Inc. Bradford, PA	68919 Inter-Technical Group Inc., The Irrington, NY
04222 AVX Corp. AVX Ceramics Div. Myrtle Beach, SC	23237 I R C, Inc. Microcircuits Div Philadelphia, PA	59717 Eveready Battery Co. Inc. St. Louis, MO	71400 Bussman Div. of Cooper Industries Inc. St. Louis, MO
04713 Motorola Inc. Semiconductor Products Sector Phoenix, AZ	25099 Cascade Gasket & Mfg. Co. Inc. Kent, WA	5W664 NDK America Inc. Div. of Nihon Dempa Kogyo LTD Lynchburg, VA	7G970 Connor Spring & Mfg. Co. San Jose, CA
09214 General Electric Co. Semiconductor Products Dept. Auburn, NY	27745 Associated Spring Barnes Group Inc. Syracuse, NY	60386 Squires Electronics Inc. Cornelius, OR	89536 John Fluke Mfg. Co., Inc. Everett, WA
0K392 Skin-Etsu Silicones of America Torrance, CA	2K262 Boyd Corp. Portland, OR	60935 Westlake Capacitor Inc. Tantalum Div. Greencastle, IN	91637 Dale Electronics Inc. Columbus, NE
12040 National Semiconductor Corp. Danbury, CT	51406 Murata Erie, No. America Inc. Symma, GA	61857 SAN-O Industrial Corp. Bohemia, NY	91984 Maida Development Co. Hampton, VA
18520 Sharp Electronics Corp. Professional Products Div. Mahwah, NJ	54583 TDK Electronics Corp. Port Washington, NY	62643 United Chemi-con Inc. Rosemont, IL	
	56289 Sprague Electric Co. Nashua, NH	62786 Hitachi America Ltd. Semiconductor & IC Div. San Jose, CA	

SERVICE CENTERS

USA

California

Fluke Service Center
46610 Landing Parkway
Fremont, CA 94538
TEL: (510) 651-5112
FAX: (510) 651-4962

Fluke Service Center
16715 Von Karman Avenue
Suite 110
Irvine, CA 92714
TEL: (714) 863-9031
FAX: (714) 757-7556

Florida

Fluke Service Center
550 S. North Lake Blvd.
Altamonte Springs, FL 32701-5227
TEL: (407) 331-2929
FAX: (407) 331-3366

Illinois

Fluke Service Center
1150 W. Euclid Avenue
Palatine, IL 60067
TEL: (708) 705-0500
FAX: (708) 705-9989

New Jersey

Fluke Service Center
W. 75 Century Rd
or P.O. Box 930
Paramus, N.J. 07652
TEL: (201) 599-9500 (599-0919)
FAX: (201) 599-2093

Texas

Fluke Service Center
2104 Hutton Drive
Suite 112
Carrollton, TX 75006
TEL: (214) 406-1000
FAX: (214) 406-1072

Washington

Fluke Service Center
Fluke Corporation
Building #4
1420 - 75TH St. S.W.
M/S 6-30
Everett WA 98203
TEL: (206) 356-5560
FAX: (206) 356-6390

INTERNATIONAL

Argentina

Coasin S.A.
Virrey del Pino 4071
1430 CAP FED
Buenos Aires
TEL: 54-1-552-5248
FAX: 54-1-11-1427

Australia

Phillips Customer Support
Scientific and Industrial
23 Lakeside Drive
Tally Ho Technology Park
East Bunwood
Victoria 3151
TEL: 61-3-881-3666
FAX: 61-3-881-3636

Phillips Customer Support
Scientific and Industrial
Block F, Centrecourt
34 Waterloo Road
North Ryde, N.S.W. 2113
TEL: 61-2-888-0416
FAX: 61-2-888-0440

Austria

Fluke Austria GmbH
Unternehmensbereich Prof. Systeme
Gutheil Schoder
Gasse 10
A-1102 Vienna
TEL: 43-1-60101-1568
FAX: 43-1-603-2165

Belgium

Fluke Belgium N.V./S.A.
T&M Customer Support
Langeveldpark - Unit 5 & 7
P. Basteleusstraat 2-4-6
1600 St. Pieters - Leeuw
TEL: 32-2-331-2777
FAX: 32-2-331-1489

Bolivia

Coasin Bolivia S.R.L.
Casilla 7295
La Pax, Bolivia
TEL: 591-2-340962
FAX: 591-2-359268

Canada

Fluke Electronics Canada Inc.
400 Britannia Road East, Unit #1
Mississauga, Ontario
L4Z 1X9
TEL: 905-890-7600
FAX: 905-890-6866

Chile

Intrinsa Inc.
Sociedad Comercial de
Instrumentacion Electronica, S.A.
Casilla 16150
Santiago
TEL: 56-2-232-1886, 232-4308
FAX: 56-2-232-2694

China

Fluke Service Center
Room 2111 Scite Tower
Jianguomenwai Dajie
Beijing 100004
TEL: 86-1-512-3435 or 6351
FAX: 86-1-512-3437

Colombia

Sistemas E Instrumentacion, Ltda.
Carrera 21, NO. 39A-21, OF. 101
Ap. Aereo 29583
Bogota
TEL: 57-1-287-5424
FAX: 57-1-287-2248

Costa Rica

Electronic Engineering, S.A.
Carretera de Circunvalacion
Sabanilla Av. Novena
P.O. Box 4300-1000
San Jose
TEL: 506-53-3759
FAX: 506-25-1286

Denmark

Fluke Denmark A/S
T&M Customer Support
Ejby Industrivej 40
DK 2600 Glostrup
TEL: 45-43-44-1900
FAX: 45-43-43-9192

Ecuador

Protoco Coasin Cia., Ltda.
Av. 12 de Octubre 2449 y Orellana
P.O. Box 17-03-226-A
Quito
TEL: 593-2-230283 or 520005
FAX: 593-2-561980

Egypt

Phillips Egypt
10, Abdel Rahman el Rafei St.
el. Mohandessin
P.O. Box 242
Dokki Cairo
TEL: 20-2-490922

Fiji

Communications Pacific, Ltd.
37 Freeston Road
Walu Bay
G.P.O. Box 858
Suva
TEL: 679 312744
FAX: 679 300379

Finland

Fluke Finland Oy
Sinikallontie 3
SF-02631 Espoo
TEL: 358-0-5026-600
FAX: 358-0-5026-414

France

Fluke France S.A.
37 Rue Voltaire
BP 112
93700 Drancy, Cedex
TEL: 33-1-48-966331
FAX: 33-1-48-966330

Germany

FlukeDeutschland GmbH
Service & Calibration Lab.
Oskar-Messter-Strasse 18
D-8045 Ismaning/Munich
TEL: 49-89-9605260
FAX: 49-89-9605270

Phillips Messgerate GmbH
Test & Measurement
Meiendorferstrasse 205
P.O. Box 730 370
D-2000 Hamburg 73
TEL: 49-40-6797-434
FAX: 49-40-6797-421

Greece

Phillips S.A. Hellenique
15,25th March Street
177 78 Tavros
10210 Athens
TEL: 30-1-489-4911
FAX: 30-1-481-5180

Hong Kong

Schmidt & Co (H.K.) Ltd.
1st Floor
323 Jaffe Road
TEL: 852-9223-5623
FAX: 852 834-1848

Ireland, Republic of

Fluke U.K. LTD.
Customer Support
Colonial Way
Watford
Hertfordshire WD2 4TT U.K.
TEL: 44-923-240511
FAX: 44-923-225067

India

Hinditron Services Pvt. Inc.
33/44 Rajmahal Vilas Extension
8th Main Road
Bangalore 560 080
TEL: 91-80-348266
FAX: 91-80-3345022

Hinditron Services Pvt. Ltd

1st Floor, 17-B,
Mahal Industrial Estate
Mahakali Road, Andheri East
Bombay 400 093
TEL: 91-22-630-0043
FAX: 91-22-836-4682

Hinditron Services Pvt. Ltd

Castle House, 5th Floor
5/1 A, Hungerford Street
Calcutta 700 017

Hinditron Services Pvt. Ltd

15 Harrington Road
Chetpet
Madras 600031

Hinditron Services Pvt. Ltd.

204-206 Hemkunt Tower
98 Nehru Place
New Delhi 110 019
TEL: 91-11-643-3675
FAX: 91-11-642-9118

Hinditron Services Pvt. Ltd.

Field Service Center
Emerald House
5th Floor
114 Sarojini Devi Road
Secunderabad 500 003
TEL: 91 842-844033

Service Centers

SERVICE CENTERS (cont)

Indonesia

P. T. Daeng Brothers
Phillips House
J/n H.R. Rasuna Said Kav. 3-4
Jakarta 12950
TEL: 62-21-520-1122
FAX: 62-21-520-5189

Israel

R.D.T Electronics Engineering, Ltd.
P.O. Box 58072
Tel Aviv 61580
TEL: 972-3-645-0745
FAX: 972-3-647-8908

Italy

Fluke Italia S.R.L.
T&M Customer Support
Viale Delle Industrie, II
20090 Vimodrone (MI)
TEL: 39-2-268434-435
FAX: 39-2-250-1645

Japan

Fluke Corporation
Sumitomo Higashi Shinbashi Bldg.
1-1-11 Hamamatsucho
Minato-ku
Tokyo 105
TEL: 81-3-3434-0188
FAX: 81-3-3434-0170

Korea

B&P International Co., Ltd.
Geopung Tocon A-1809
203-1 Nonhyun-Dong
Kangnam-Ku
Seoul 135-010
TEL: 82 02 546-1457
FAX: 82 02 546-1458

IL MYOUNG, INC.

780-46, Yeogsam-Dong
Youngdong P.O. Box 1486
Kangnam-Ku
Seoul
TEL: 82 2 552-8582-4
FAX: 82 2 553-0388

Malaysia

CNN. SDN. BHD.
17D, 2nd Floor
Lebuhraya Batu Lancang
Taman Seri Damai
11600 Jelutong Penang
TEL: 60-4-657-9584
FAX: 60-4-657-0835

Mexico

Mexel Mexicana De Electronica
Industrial, S.A. De C.V.
Diagonal No. 27
Entra Calle de Eugenia Y Ave.
Col. Del Valle
C.P. 03100, Mexico D.F.
TEL: 52-5-682-8040
FAX: 52-5-687-8695

Mexicana De Electronica Industrial, S.A.

F-14 Bassett Center #541
6001 Gateway West
El Paso, TX 79925
TEL: 52-16-23-02-35
FAX: 52-16-23-02-35

Netherlands

Fluke Europe B.V.
Test & Measurement
Science Park
Eindhoven 5110
P.O. Box 1337
5602 BH Eindhoven
TEL: 31-40-644-226
FAX: 31-40-644-280

Fluke Netherland B.V.
Technische Service Prof. Act.
Hurksestraat, 2C
Gebouw HBR
5652 AJ Eindhoven
TEL: 31-40-723-220
FAX: 31-40-723-337

New Zealand

Phillips Customer Support
Scientific & Industrial
Private Bag 41904
St. Lukes, 2 Wagener Place
Mt. Albert, Auckland 3
TEL: 64-9-894-4160
FAX: 64-9-849-7814

Norway

Fluke Norway A/S
Customer Support
P.O. Box 6054 Etterstad
N-0601 Oslo
TEL: 47-22-653400
FAX: 47-22-653407

Peru

Importaciones & Representaciones
Electronicas S.A.
J.R. Pumacahua 955
Lima 11
TEL: 51-14-23-5099
FAX: 51-14-31-0707

Philippines

Spark Electronics Corp.
P.O. Box 610, Greenhills
Metro Manila 1502
TEL: 63-2-700-621
FAX: 63-2-721-0491

Portugal

Phillips Portuguese S.A.
IE Division - T & M Department
Rua Dr. Antonio Loureiro Borges, 5
Arquiparque-Miraflores
Apartado 300
2795 LINDA-A-VELHA
TEL: 351-1-4163-316
FAX: 351-1-416-3185

Singapore

Fluke Corporation
Singapore Representative Office
#27-03 PSA Building
460 Alexandra Road
Singapore 0511
TEL: 65-276-5161
FAX: 65-276-5759

Spain

Fluke Iberica S.L.
Depto. Tecnico Instrumentacion
Martinez Villergas 2
28027 Madrid
TEL: 34-1-326-7512
FAX: 34-1-326-0668

Sweden

Fluke Sweden AB
T&M Customer Support
Kronborgsgrand 11
P.O. Box 61
S-164 94
TEL: 46-8-751-0230
FAX: 46-8-751-0480

Switzerland

Fluke Switzerland AG
T&M Customer Support
Riedstrasse 12
Postfach 360
CH-8953 Dietikon 1
TEL: 41-1-745-2244
FAX: 41-1-745-2240

Taiwan

Schmidt Electronics Corp.
5th Floor, Cathay Min Sheng
Commercial Building,
No. 180 Sec. 2
344 Min Sheng East Road
Taipei
TEL: 886-2-501-3468
FAX: 886-2-502-9692

Thailand

Measuretronix Ltd.
2102/31 Ramkamhang Road
Bangkok 10240
TEL: 66-2-375-2733, 375-2734
FAX: 66-2-374-9965

Turkey

Turk Phillips Ticaret A.S.
Inonu Caddesi 78/80
Posta Kutusu 504-Beyoglu
Istanbul
TEL: 90-1-143-5891

United Kingdom

Fluke U.K. LTD.
Customer Support
Colonial Way
Watford
Hertfordshire WD2 4TT
TEL: 44-923-240511
FAX: 44-923-225067

Uruguay

Coasin Uruguay S.A.
Casilla de Correo 1400
Libertad 2529
Montevideo
TEL: 598-2-789-015
FAX: 598-2-492-199

Venezuela

Coasin C.A.
Calle 9 Con Calle 4, Edif. Edinurbi
Apartado de Correos NR-70.136
Los Ruices
Caracas 1070-A
TEL: 58-2-241-0309, 241-1248
FAX: 58-2-241-1939

Section 5 Schematic Diagrams

TABLE OF CONTENTS

FIGURE	TITLE	PAGE
5-1	A1 Main PCA	5-3
5-2	Signal Flow Diagram	5-5

Table 5-1. Abbreviations

ABBREVIATION	DEFINITION
ACA	AC Converter Feedback
ACHI	AC Converter High
ACL	All Clear, Reset
ACLO	AC Converter Low
AFI	Active Filter Input
AFO	Active Filter Output
AM0	Amps Input
AM1	Amps Divide by 10
AZ	Auto Zero Point
BPR	Beeper Driver
BT	Battery
CLK	Clock Output
COM	Common
DCS	DC Sense
EC	Reference Voltage
FA0	Active Filter Amp Output
FA(-)	Active Filter Amp Feedback
INT	Integrator Output
K0	Buffer x 1 Output
K1	Buffer Divide by 3 Output
LS	Loud Speaker
LO	Low
OHS	Ohms Sense
RNG	Range
RRS	Reference Resistor Sense
RT	Thermistor
VSS	Negative Supply Voltage
VDD	Positive Supply Voltage
VM	Volts Middle
WW	Wirewound
XTL	Crystal Oscillator Inputs
Z	Impedance

CHANGE/ERRATA INFORMATION

ISSUE NO: 1, 1/93

This change/errata contains information necessary to ensure the accuracy of the following manual. Enter the corrections in the manual if either one of the following conditions exist:

1. The revision letter stamped on the indicated PCA is equal to or higher than that given with each change.
2. No revision letter is indicated at the beginning of the change or errata.

MANUAL

Title: 77/75/73/70/23/21 Service
Part Number: 896204
Print Date: July 1991
Rev. & Date: 1, 9/92

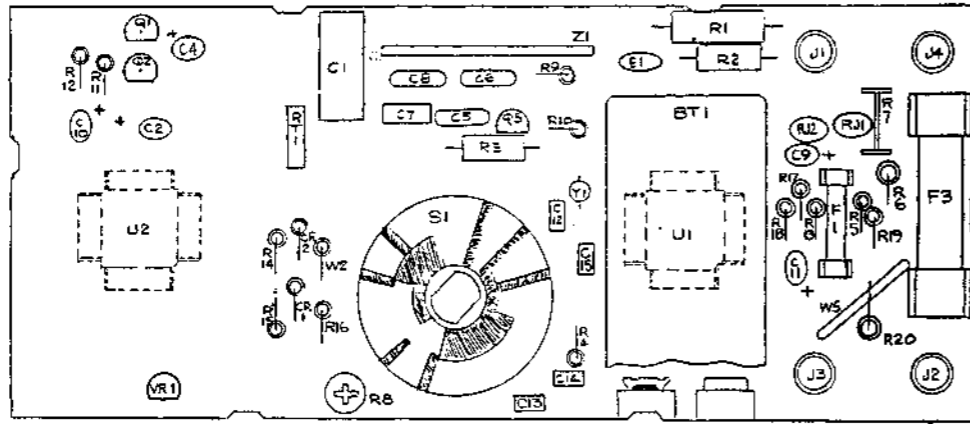
C/E PAGE EFFECTIVITY

Page No.	Print Date
1	1/93

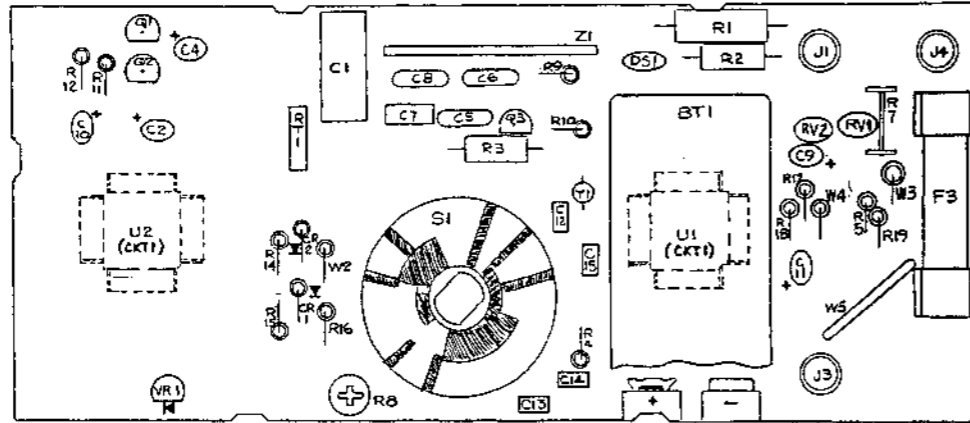
ERRATA #1

On pages 4-8, 4-13, 4-18, 5-3/5-4 and 5-5/5-6, add the following note to each page and a 1 to the NOTE column for R1 and R20.

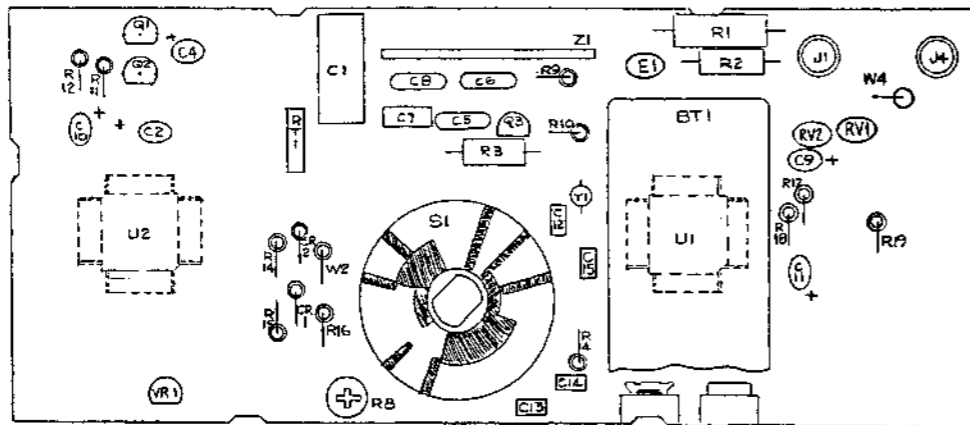
NOTE 1 = R1 and R20 are fusible resistors. To ensure safety, use exact replacement only.



MODELS 77, 75, 23, 21
(FLUKE 77-2-4021)

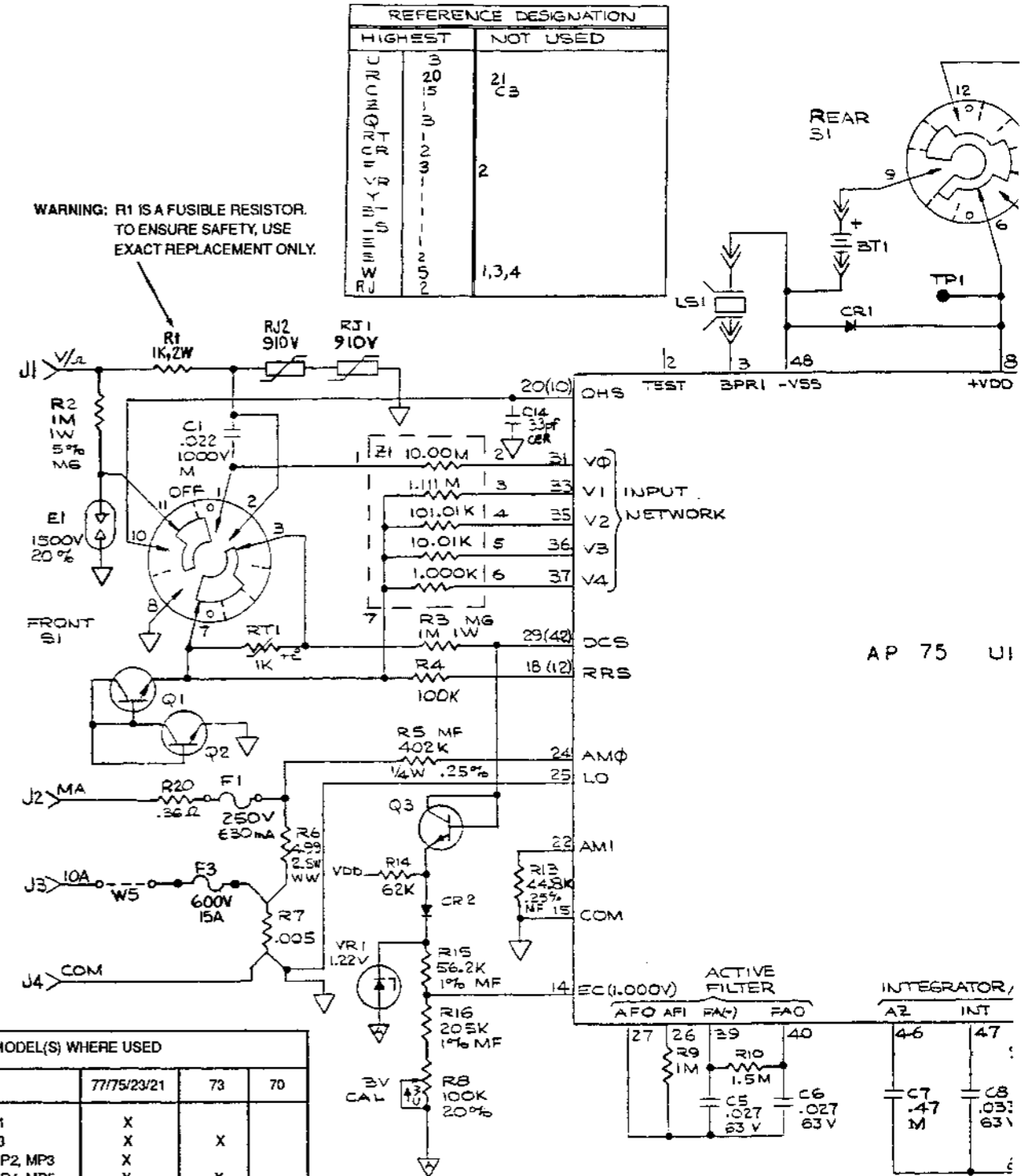


MODEL 73
(FLUKE 73-2-4021)



MODEL 70
(FLUKE 70-2-4021)

WARNING: R1 IS A FUSIBLE RESISTOR.
TO ENSURE SAFETY, USE
EXACT REPLACEMENT ONLY.



MODEL(S) WHERE USED			
	77/75/23/21	73	70
F1	X		
F3	X	X	
MP2, MP3	X		
MP4, MP5	X	X	
R5	X	X*	
R6	X		
R7	X	X	
R13	X		
R20	X		
W5	X	X	

* 390k

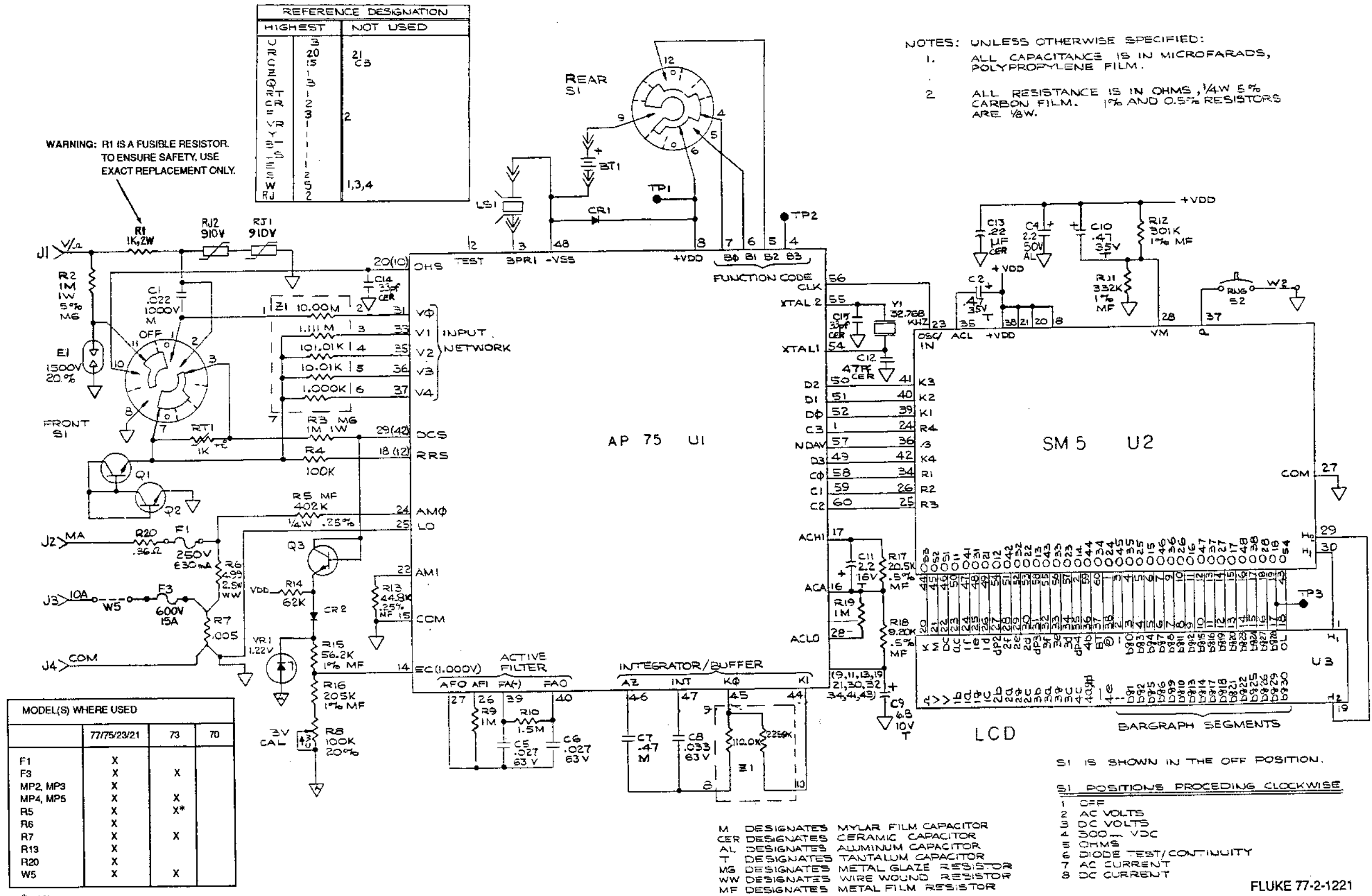
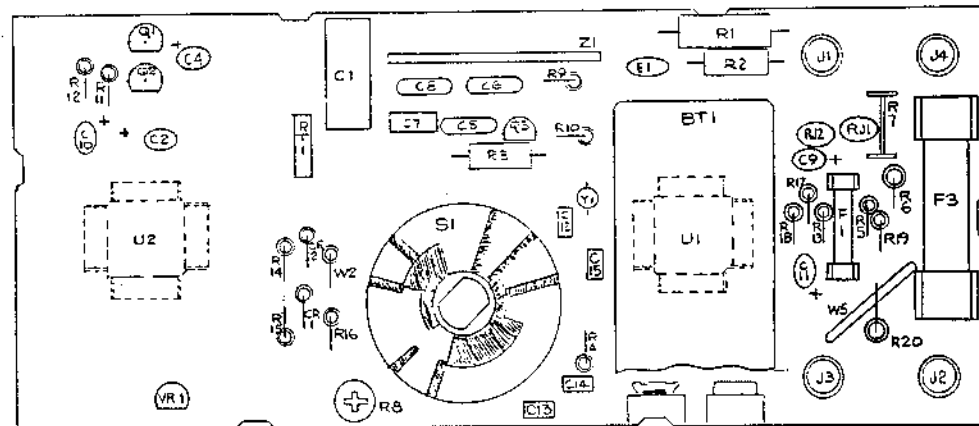
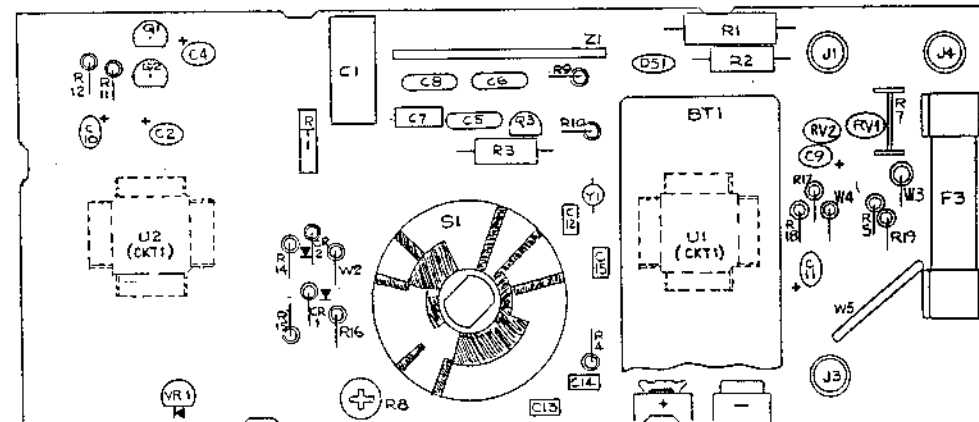


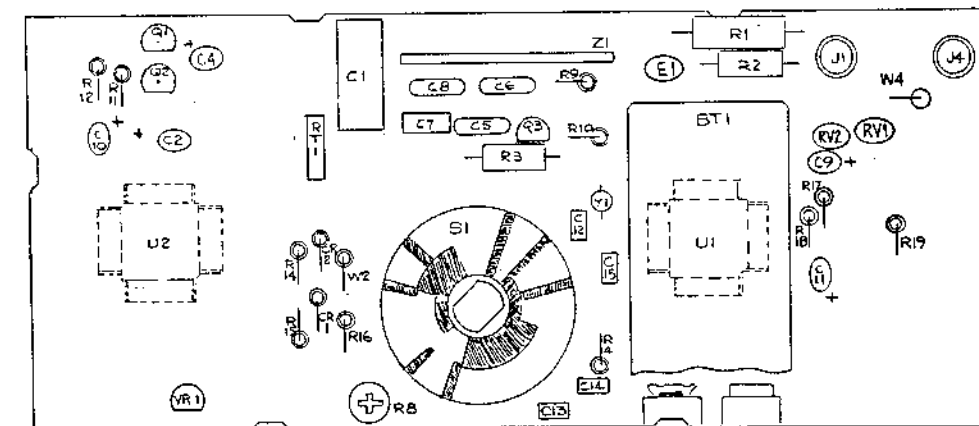
Figure 5-1. A1 Main PCA



MODELS 77, 75, 23, 21
(FLUKE 77-2-4021)



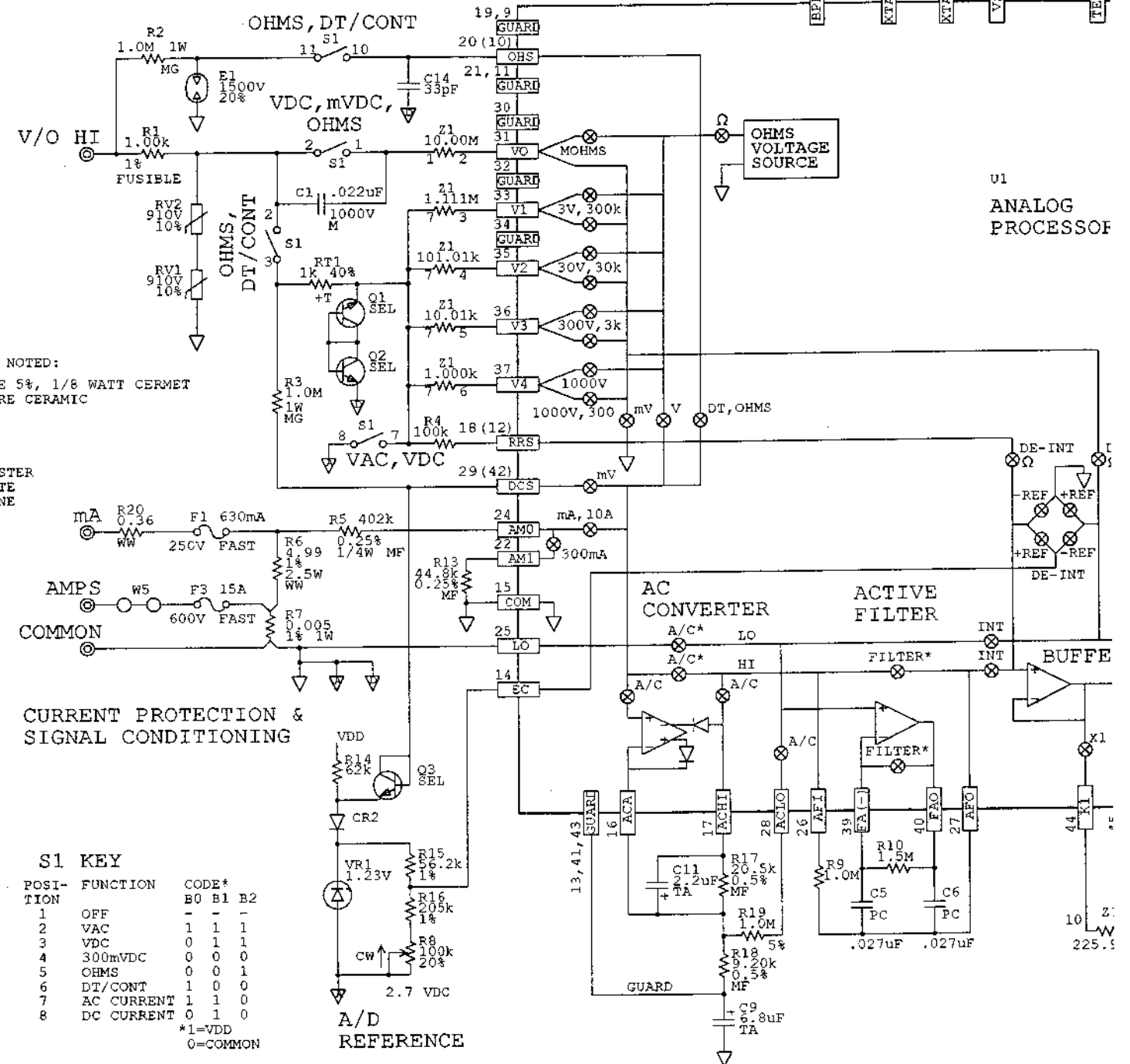
MODEL 73
(FLUKE 73-2-4021)



MODEL 70
(FLUKE 70-2-4021)

VOLTS & OHMS
INPUT PROTECTION

VOLTS & OHMS
SIGNAL CONDITIONING



UNLESS OTHERWISE NOTED:
ALL RESISTORS ARE 5%, 1/8 WATT CERMET
ALL CAPACITORS ARE CERAMIC

MF - METAL FILM
MG - METAL GLAZE
WW - WIRE WOUND
M - MYLAR/POLYESTER
PC - POLYCARBONATE
PP - POLYPROPYLENE
AL - ALUMINUM
TA - TANTALUM

CURRENT PROTECTION &
SIGNAL CONDITIONING

S1 KEY

POSITION	FUNCTION	CODE*
		B0 B1 B2
1	OFF	- - -
2	VAC	1 1 1
3	VDC	0 1 1
4	300mVDC	0 0 0
5	OHMS	0 0 1
6	DT/CONT	1 0 0
7	AC CURRENT	1 1 0
8	DC CURRENT	0 1 0

*1=VDD
0=COMMON

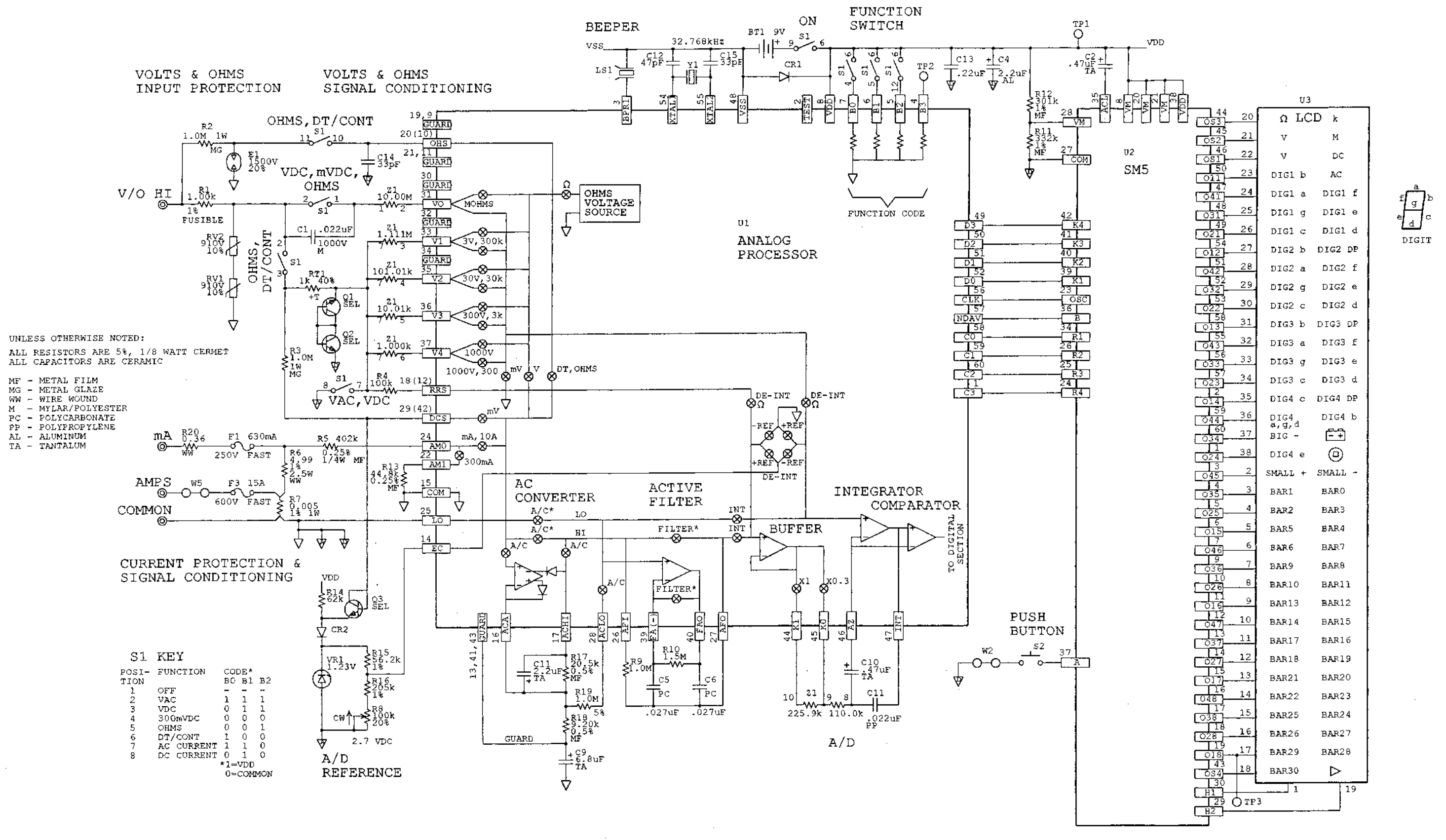


Figure 5-2. Signal Flow Diagram