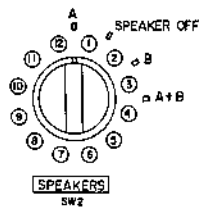
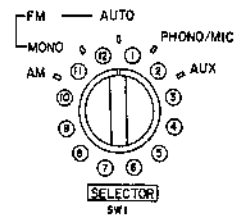
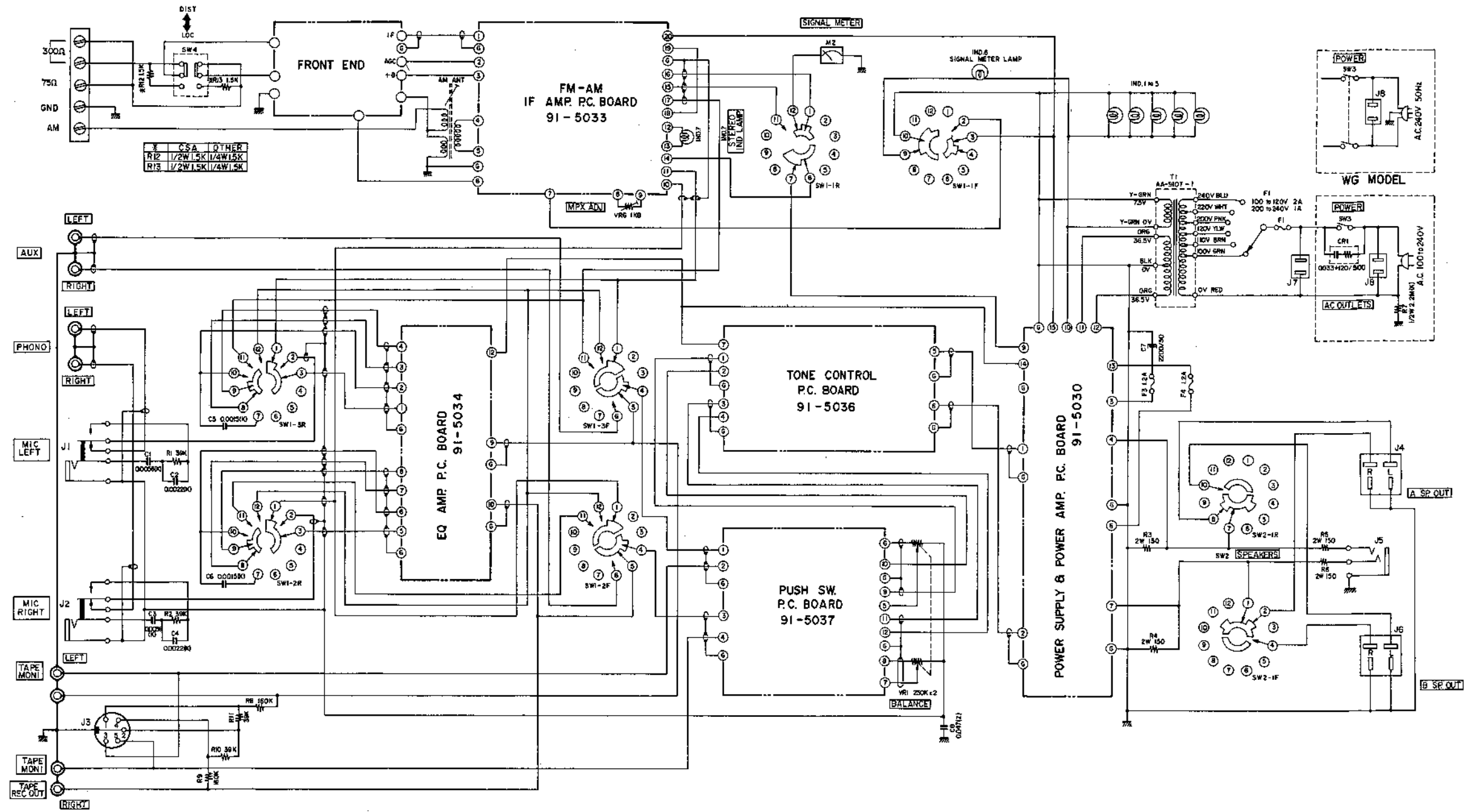


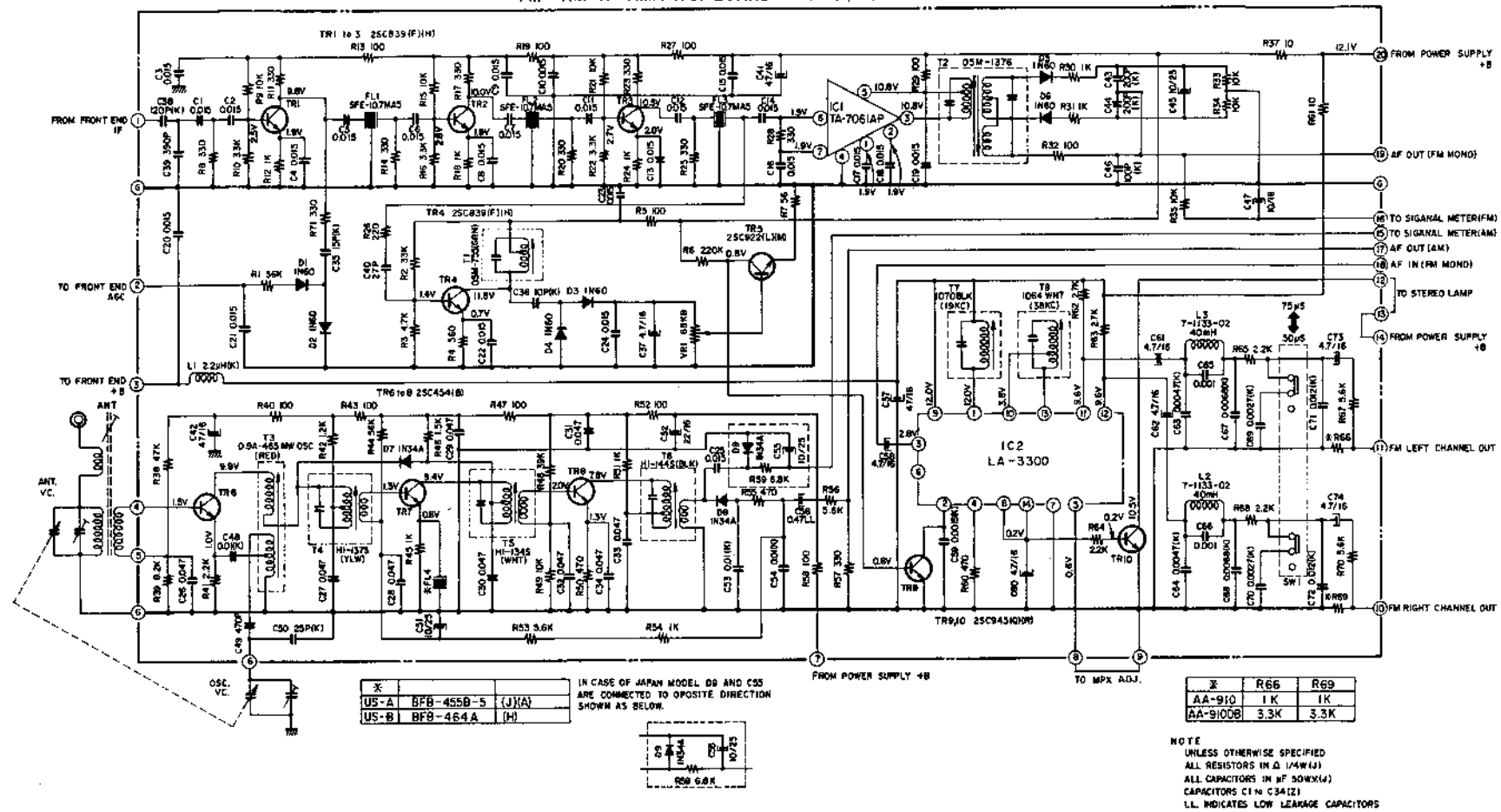
AA-910



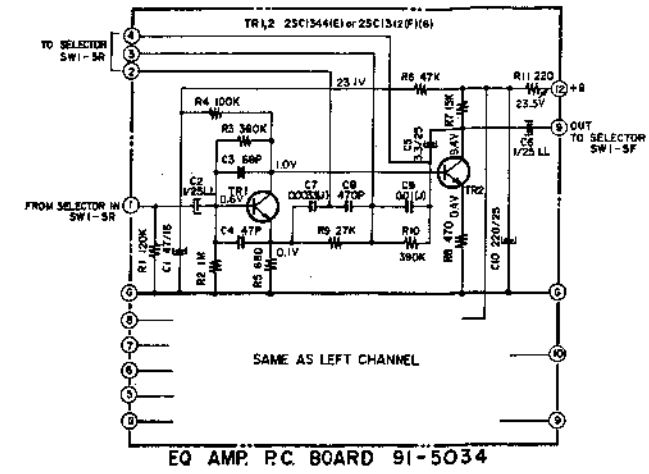
NOTE
UNLESS OTHERWISE SPECIFIED
ALL RESISTORS IN Ω, 1/4W(1)
ALL CAPACITORS IN μF 50V.V.(1)

AA-910
SCHEMATIC DIAGRAM
1462202A

FM - AM IF AMP. P.C. BOARD 91-5033

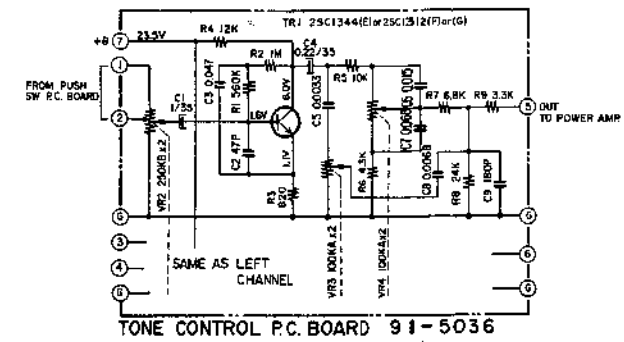


AA-910/DB FM-AM IF AMP SCHEMATIC DIAGRAM NO.7-1 1462204A



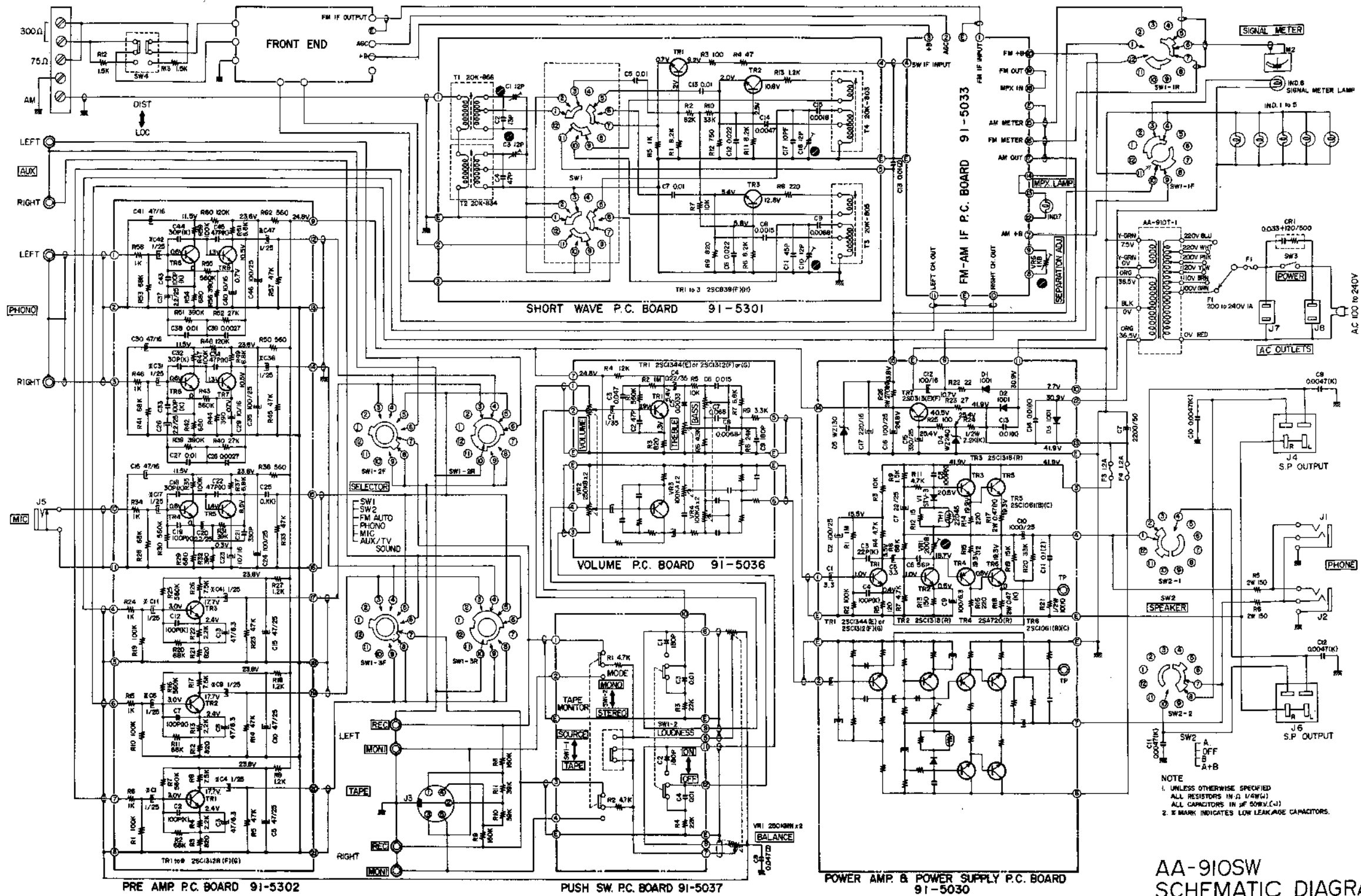
NOTE
UNLESS OTHERWISE SPECIFIED
ALL RESISTORS IN Ω (1/4W (1))
ALL CAPACITORS IN μ F (50V (1))

AA-910/DB EQ AMP SCHEMATIC DIAGRAM
NO.7-2 1462205A



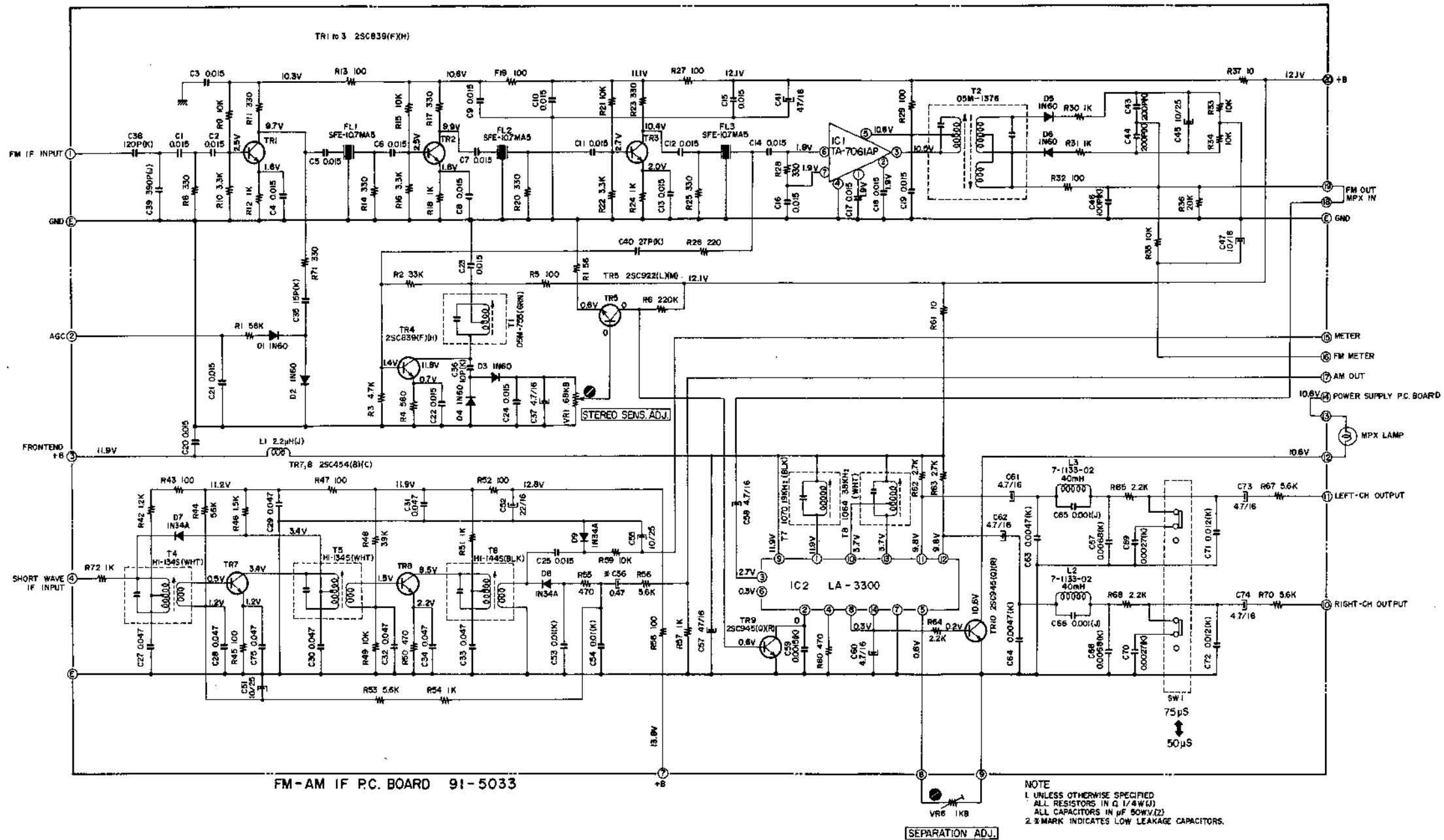
NOTE
UNLESS OTHERWISE SPECIFIED
ALL RESISTORS IN Ω (1/4W (1))
ALL CAPACITORS IN μ F (50V (1))

AA-910/DB TONE CONTROL SCHEMATIC DIAGRAM
NO.7-3 1462206A



AA-910SW
SCHEMATIC DIAGRAM
NO. 2-1 1482410A

NOTE
1. UNLESS OTHERWISE SPECIFIED
ALL RESISTORS IN Ω, 1/4W(1/2)
ALL CAPACITORS IN μF 50WV(50)
2. * MARK INDICATES LOW LEAKAGE CAPACITORS.



AA-910SW
SCHEMATIC DIAGRAM
NO. 2-2 1482411A
2c