

<b>INHALT:</b>	<b>ERSATZTEILLISTE</b>	<b>SEITE</b>
	<b>JPS 351 RACK 1</b>	<b>3</b>
	<b>JPS 351 RACK 2</b>	<b>3</b>
	<b>JPS 351 ALPHA</b>	<b>3</b>
	<b>JPS 351 GAMMA</b>	<b>3</b>
	<b>JPS 351 DELTA</b>	<b>3</b>
	<b>JPS 351 THETA</b>	<b>3</b>
	<b>JPS 351 LAMBDA</b>	<b>3</b>
	 <b>VERSTÄRKER</b>	
	<b>JPS V-130</b>	<b>4-11</b>
	<b>JPS V-200</b>	<b>12-20</b>
	 <b>TUNER</b>	
	<b>JPS T-3</b>	<b>21-28</b>
	<b>JPS T-4</b>	<b>29-34</b>
	 <b>CASSETTENRECORDER</b>	
	<b>JPS C-1</b>	<b>35-47</b>
	<b>JPS C-2</b>	<b>48-58</b>
	 <b>PHONOEINHEIT</b>	
	<b>JPS 351 P</b>	<b>59-68</b>
	 <b>TIMER</b>	
	<b>JPS 351 TI</b>	<b>69-73</b>

## ERSATZTEILLISTE / PARTS LIST

POS. NR.	SACHNR.	TECHN. DATEN/ BEZEICHNUNG
REF. NO.	PART NO.	DESCRIPTION

### RACK 1

6-035-605-40	SEITENTEILE KPL. LANG EICHE NATUR
6-035-605-50	SEITENTEILE KPL. LANG KIEFER NATUR
6-035-605-60	SEITENTEILE KPL. LANG ROT
6-035-605-90	SEITENTEILE KPL. LANG ESCHENATUR
6-035-606-00	SEITENTEILE KPL. LANG EICHE SCHWARZ
6-035-606-10	SEITENTEILE KPL. LANG ESCHENATUR SCHWARZ
6-035-606-50	SEITENTEILE KPL. LANG SCHWARZ

### RACK 2

6-028-002-40	MÖBELROLLE TANDEMA 680.14.373 MATT
6-035-605-20	SEITENTEILE KPL. KURZ EICHE NATUR
6-035-605-10	SEITENTEILE KPL. KURZ ROT
6-035-605-30	SEITENTEILE KPL. KURZ KIEFER NATUR
6-035-605-70	SEITENTEILE KPL. KURZ ESCHENATUR
6-035-605-80	SEITENTEILE KPL. KURZ EICHE SCHWARZ
6-035-606-20	SEITENTEILE KPL. KURZ ESCHENATUR SCHWARZ
6-035-606-60	SEITENTEILE KPL. KURZ SCHWARZ

### RACK ALPHA

6-035-604-90	RAHMEN KPL.
6-090-012-30	GEBRAUCHSANWEISUNG
6-090-832-20	MONTAGEANLEITUNG OHNE TIMER
6-033-002-00	TB-ANSCHLUSSLEITUNG 100 CM CINCH
6-027-509-903	PUCK ABS - SW -
6-035-710-702	BLLENDE BEDRUCKT ALPHA
6-035-107-80	MÖBELGRIFF
6-025-002-10	NETZSCHALTER
6-028-600-204	TASTENKNOPF
6-026-011-703	VIERFACH-NETZ-STECKD. M. KABEL
6-026-606-304	NETZANSCHLUSSLEITUNG 3-POLIG 2.50 M LG
6-026-606-404	NETZKABEL 3-POLIG M. KALT.ST.D.

### RACK GAMMA

6-035-605-00	RAHMENKARTE KPL.
6-090-012-30	GEBRAUCHSANWEISUNG
6-090-012-40	GEBRAUCHSANWEISUNG F. TIMER
6-090-832-30	MONTAGEANLEITUNG MIT TIMER
6-035-710-902	BLLENDE BEDRUCKT GAMMA
6-035-107-80	MÖBELGRIFF
6-026-606-504	NETZKABEL 3-POLIG M. KALT.ST.D.

POS. NR.	SACHNR.	TECHN. DATEN/ BEZEICHNUNG
REF. NO.	PART NO.	DESCRIPTION

6-026-606-404	NETZKABEL 3-POLIG M. KALT.ST.D.
6-033-002-00	TB-ANSCHLUSSLEITUNG 100 CM CINCH
6-027-509-903	PUCK

### RACK DELTA

6-035-605-00	RAHMEN KPL.
6-090-012-30	GEBRAUCHSANWEISUNG
6-090-012-40	GEBRAUCHSANWEISUNG F. TIMER
6-090-832-30	MONTAGEANLEITUNG MIT TIMER
6-035-711-002	BLLENDE BEDRUCKT DELTA
6-035-107-80	MÖBELGRIFF
6-026-606-404	NETZKABEL M. KALT.ST.D.
6-033-002-00	TB-ANSCHLUSSLEITUNG 100 CM CINCH
6-027-509-903	PUCK

### RACK THETA

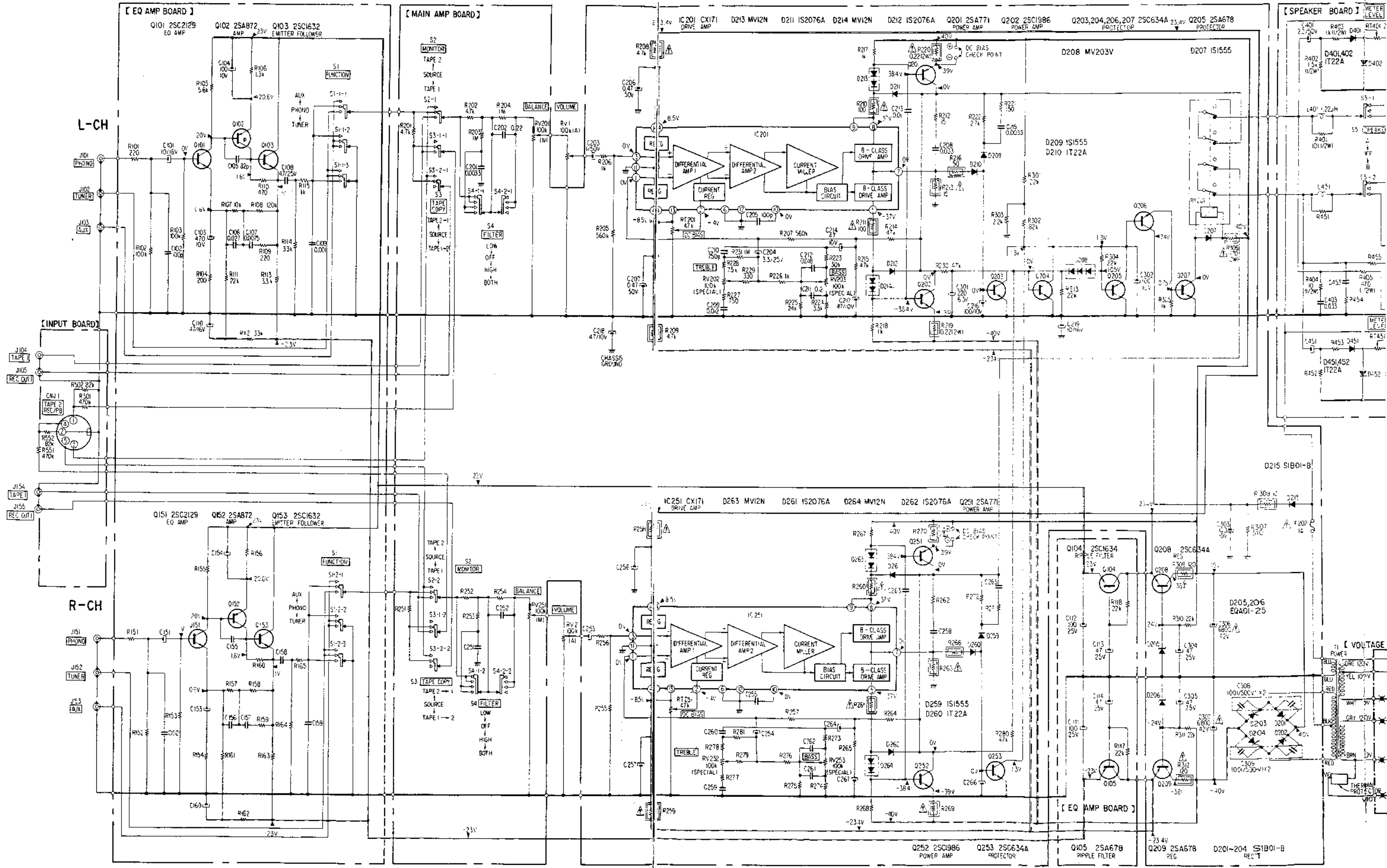
6-035-604-90	RAHMEN KPL.
6-090-012-30	GEBRAUCHSANWEISUNG
6-090-832-20	MONTAGEANLEITUNG OHNE TIMER
6-026-606-404	NETZKABEL 3-POLIG M. KALT.ST.D.
6-033-002-00	TB-ANSCHLUSSLEITUNG 100 CM CINCH
6-027-509-903	PUCK
6-035-711-202	BLLENDE BEDRUCKT THETA
6-035-107-80	MÖBELGRIFF
6-025-002-10	NETZSCHALTER
6-028-600-204	TASTENKNOPF
6-026-011-703	VIERFACH-NETZ-STECKD. M. KABEL
6-026-606-304	NETZANSCHLUSSLEITUNG 3-POLIG 2,50 M LG

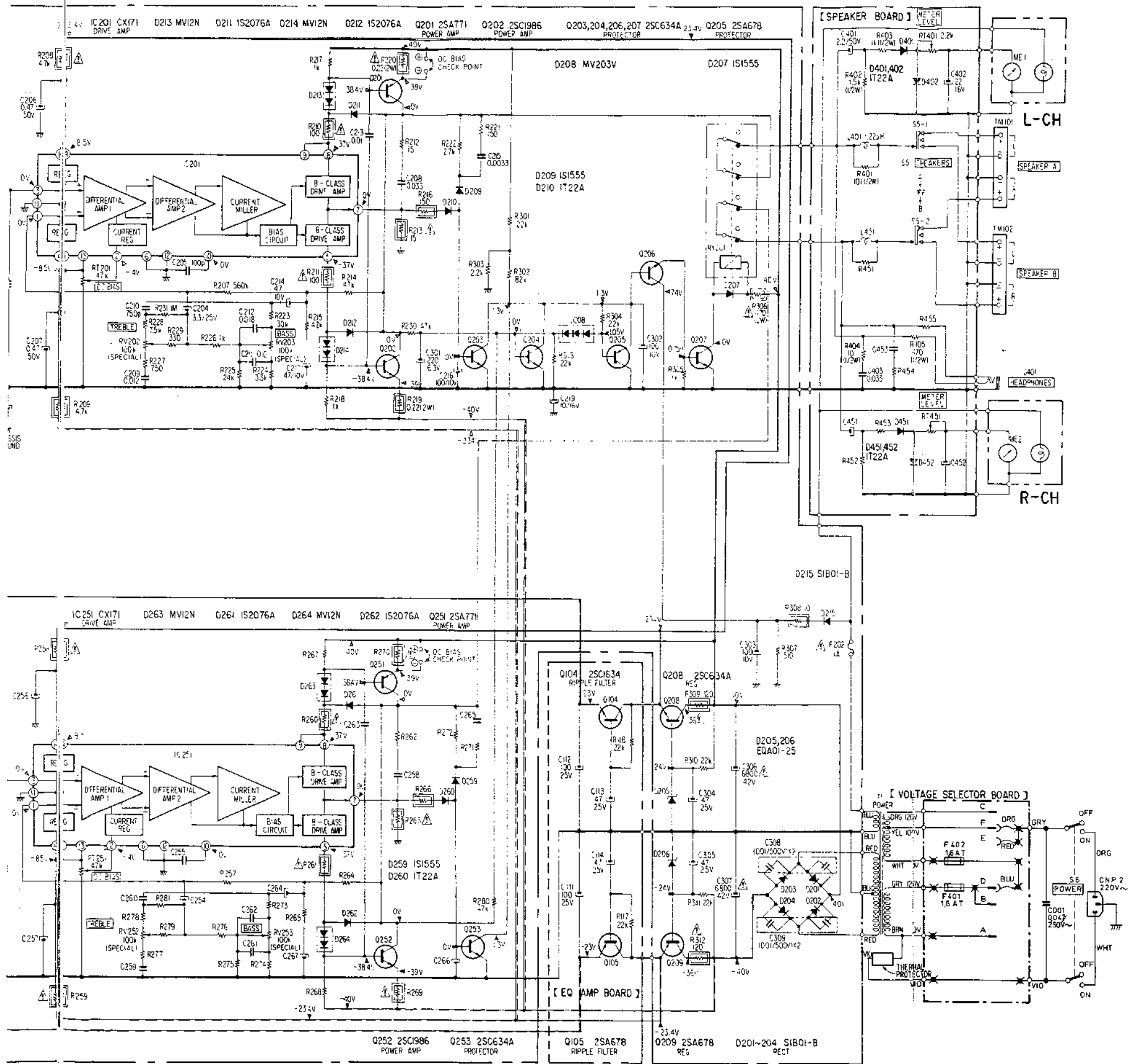
### RACK LAMBDA

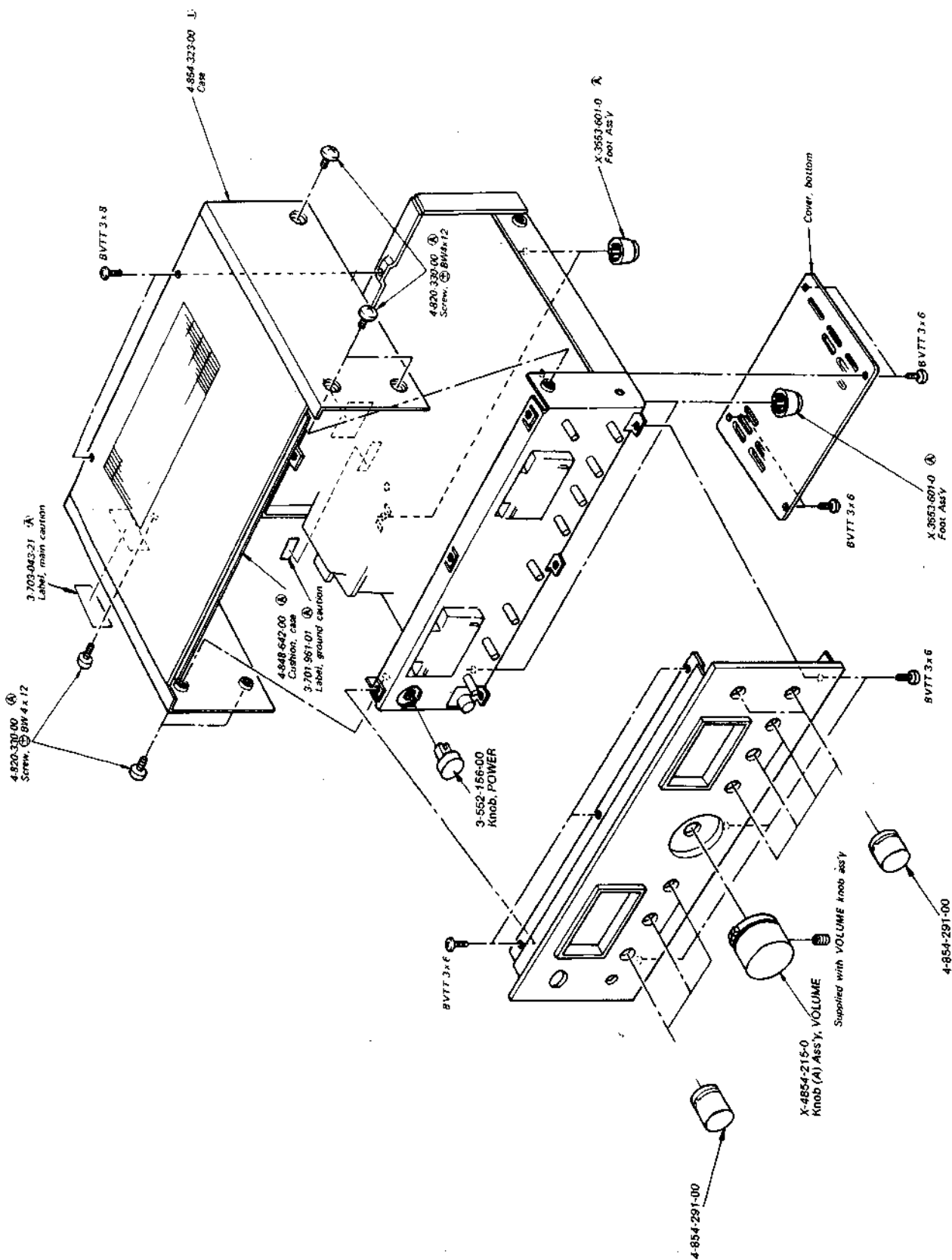
6-035-605-00	RAHMEN KPL.
6-090-012-30	GEBRAUCHSANWEISUNG
6-090-012-40	GEBRAUCHSANWEISUNG F. TIMER
6-090-832-30	MONTAGEANLEITUNG MIT TIMER
6-035-711-402	BLLENDE BEDRUCKT LAMBDA
6-035-107-80	MÖBELGRIFF
6-026-606-504	NETZKABEL 70 CM LG 3-POLIG M. KALT.ST.D.
6-026-606-404	NETZKABEL 3-POLIG M. KALT.ST.D.
6-033-002-00	TB-ANSCHLUSSLEITUNG 100 CM CINCH
6-027-509-903	PUCK

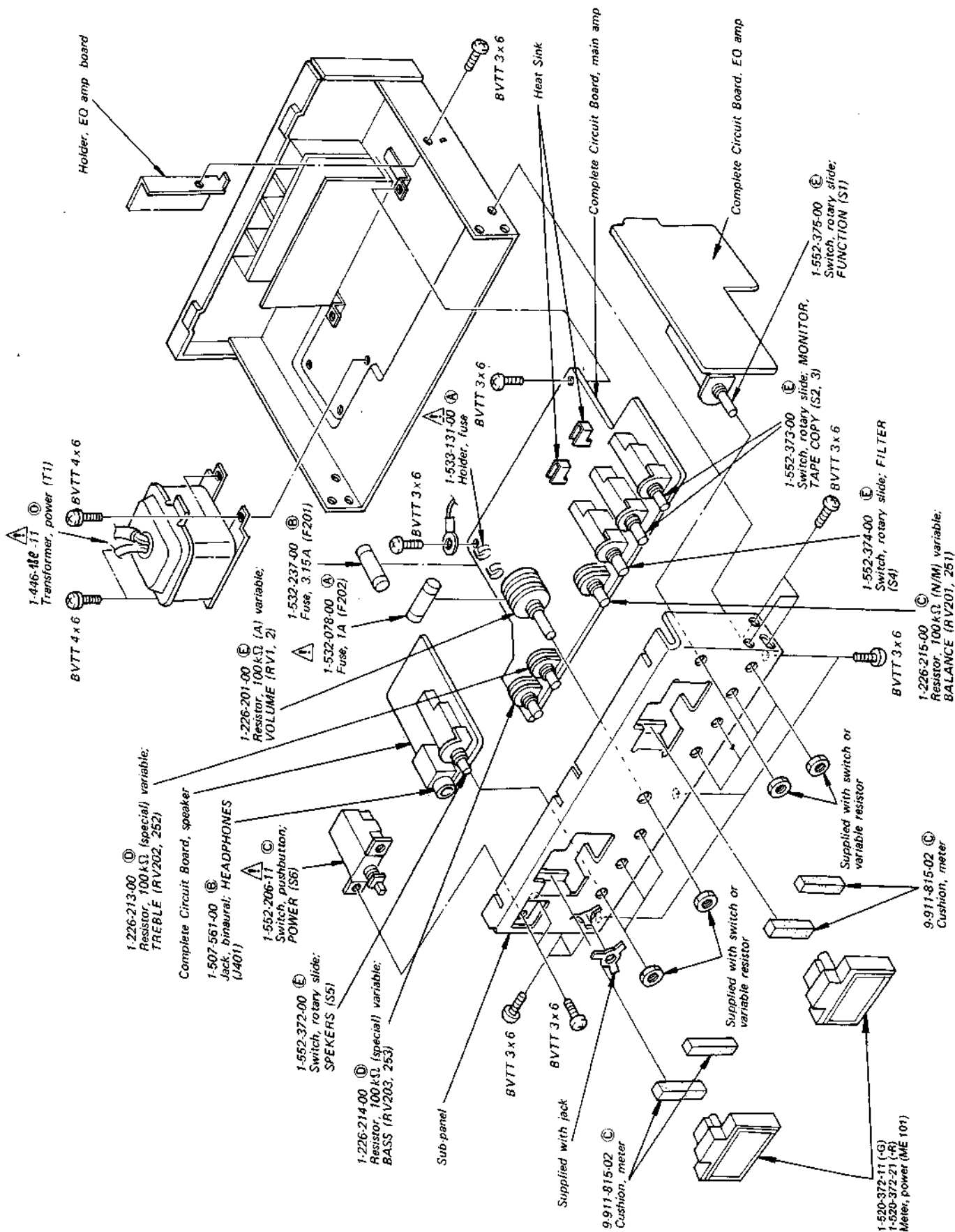
### BEIPACKTEILE

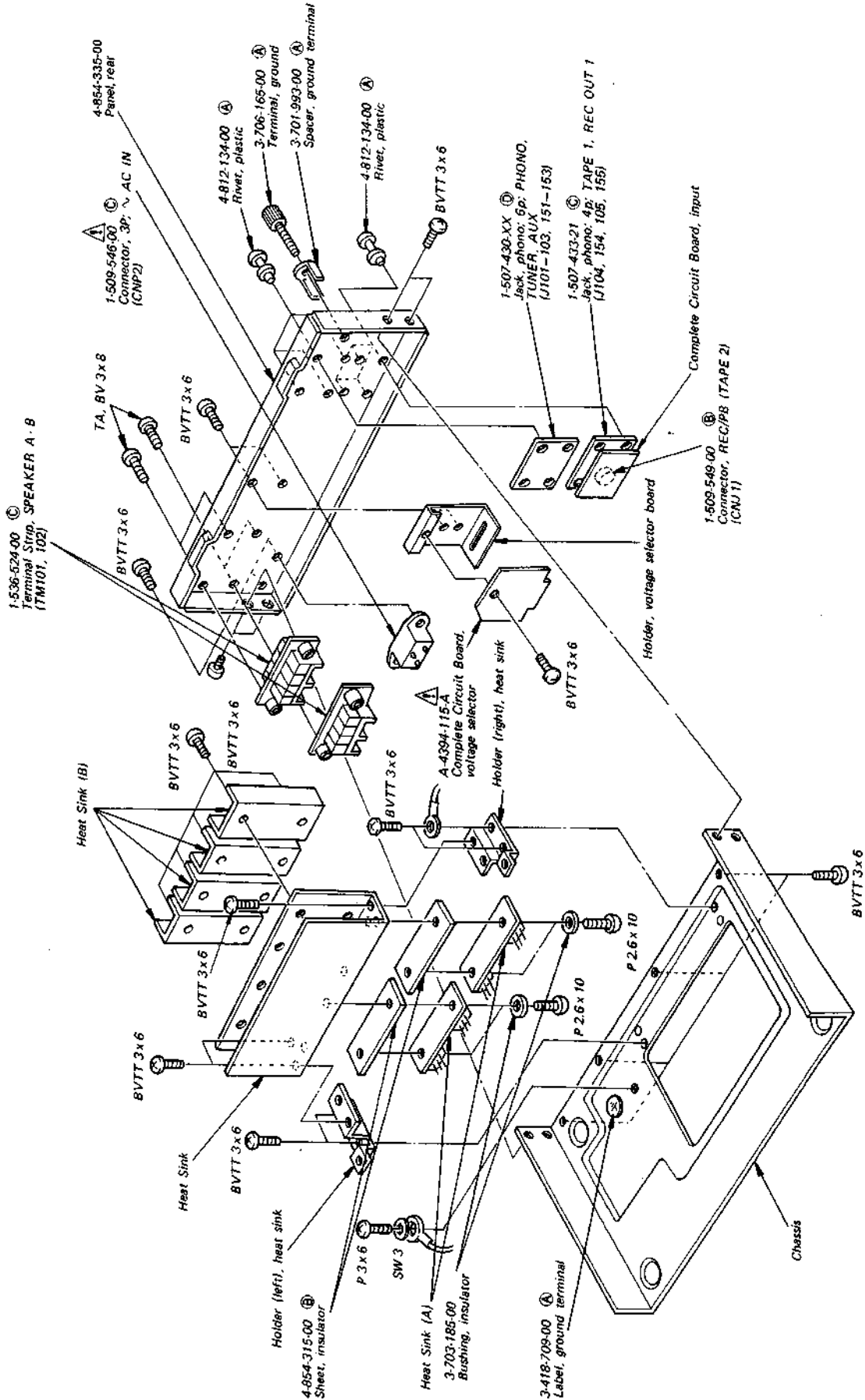
6-025-900-00	INBUS-SCHLÜSSEL 4 MM 58 MM LG VZKT
6-029-306-30	ANSCHLAG
6-025-900-00	INBUS-SCHLÜSSEL 4 MM 58 MM LG VZKT
6-029-306-30	ANSCHLAG











## ERSATZTEILE / ELECTRICAL PARTS LIST

POS. NR.	SACHNR.	TECHN. DATEN/ BEZEICHNUNG
REF. NO.	PART NO.	DESCRIPTION

### TRANSISTOREN / TRANSISTORS

Q101,151	2SC2129
Q102,152	2SA705-B
Q102,153	2SC632A
Q104	2SC634A
Q105	2SA678
Q201,251	2SA771
Q202,252	2SC1986C
Q203,204	2SC634A
Q205	2SA678
Q206-208,253	2SC634A
Q209	2SA678

### ICs / ICs

IC201,251	CX171
-----------	-------

### DIODEN / DIODES

D201-204	U05G
D205,206	EQB01-25
D207	1S1555
D208	MV203V
D209,259	1S1555
D210,260	IT22AM
D211,261	IS2076A
D212,262	
D213,264	MV12N
D214,264	
D215	U05G
D216,266	1S1555
D401,451	IT22AM
D402,452	

### KONDENSATOREN / CAPACITORS

Alle Werte, wenn nicht anders angegeben, in  $\mu\text{F}$ . Spannungen unter 50 V, ausgenommen bei Elkos, werden nicht angegeben.

All capacitors are in  $\mu\text{F}$  and electrolytic unless otherwise noted. 50WV or less are not indicated except for electrolytics.  $p = \mu\text{F}$ .

C001	1-130-159-12	0.047	250 V ~
C101,151	1-121-651-11	10	16 V
C102,152	1-102-903-11	100 p	CERAMIC
C103,153	1-121-938-11	470	10 V
C104,154	1-121-414-11	100	10 V
C105,155	1-102-971-11	82 p	CERAMIC
C106,156	1-108-359-12	0.027	MYLAR
C107,157	1-108-567-12	0.0075	MYLAR
C108,158	1-123-232-11	4.7	50 V (NONPOLARIZED)
C109,159	1-108-227-12	0.001	MYLAR
C110,160	1-121-409-11	47	16 V
C111,112	1-121-935-11	100	25 V
C113,114	1-121-410-11	47	25 V
C201,251	1-108-232-12	0.0033	MYLAR
C202,252	1-108-254-12	0.22	MYLAR
C203,253	1-121-391-11	1	50 V
C204,254	1-121-392-11	3.3	25 V
C205,255	1-102-971-11	100 p	CERAMIC
C206,256	1-121-726-11	0.47	50 V
C207,257			
C208,258	1-108-244-12	0.033	MYLAR
C209,259	1-108-457-12	0.012	MYLAR
C210,260	1-104-074-11	750 p	POLYSTYROL
C211,261	1-108-605-12	0.12	MYLAR
C212,262	1-108-358-12	0.018	MYLAR
C213,263	1-108-239-12	0.01	MYLAR
C214,264	1-121-409-11	47	10 V
C215,265	1-108-232-12	0.0033	MYLAR

POS. NR.	SACHNR.	TECHN. DATEN/ BEZEICHNUNG
REF. NO.	PART NO.	DESCRIPTION

C216,266	1-121-414-11	100	10 V
C217,267			
C218	1-121-409-11	47	10 V
C219	1-121-651-11	10	16 V
C301	1-121-981-11	220	6.3 V
C302,303	1-121-414-11	100	10 V
C220,260	1-102-951-00	15	CERAMIC
C304,305	1-121-410-11	47	25 V
C306,307	1-125-157-11	6800	42 V
C308,309	1-102-355-11	0.01 + 0.01	500 V CERAMIC
C401,451	1-121-450-11	2.2	50 V
C402,452	1-121-479-11	22	16 V
C403,453	1-108-244-12	0.033	MYLAR

### WIDERSTÄNDE / RESISTORS

R208,258	1-211-559-11	4.7 k	1/4W	CARBON (NONFLAMMABLE)
R209,259				
R210,260	1-212-881-11	100	1/4W	
R211,261				
R213,263	1-211-502-11	15	1/4W	CARBON (NONFLAMMABLE)
R216,266	1-211-526-11	150	1/4W	CARBON (NONFLAMMABLE)
R219,269	1-217-151-11	0.22	2W	WIREWOUND (NONFLAMMABLE)
R220,270				
R306	1-206-656-11	470	2W	METAL OXIDE (NONFLAMMABLE)
R308	1-211-498-11	10	1/4W	CARBON (NONFLAMMABLE)
R309,312	1-212-889-51	220	1/4W	
R401,451	1-212-372-11	10	1/2W	CARBON
R402,452	1-213-145-11	1.5 k	1/2W	CARBON
R403,453	1-213-143-11	1 k	1/2W	CARBON
R404,454	1-212-372-11	10	1/2W	CARBON
R405,455	1-213-139-11	470	1/2W	CARBON
RT201,251	1-224-186-31	47 k (B),		ADJUSTABLE; DC BIAS
RT401,451	1-224-250-XX	2.2 k (B),		ADJUSTABLE; METER LEVEL
RV1,2	1-226-201-00	100 k (A),		VARIABLE; VOLUME
RV201,251	1-226-215-00	100 k (N/M),		VARIABLE; BALANCE
RV202,252	1-226-213-00	100 k (SPEZIAL),		VARIABLE; TREBLE
RV203,253	1-226-214-00	100 k (SPEZIAL),		VARIABLE; BASS

### SCHALTER / SWITCHES

S1	1-552-375-00	ROTARY SLIDE, FUNCTION
S2,3	1-552-373-00	ROTARY SLIDE, MONITOR, TAPE COPY
S4	1-552-374-00	ROTARY SLIDE, FILTER
S5	1-552-372-00	ROTARY SLIDE, SPEAKERS
S6	1-552-206-11	PUSHBUTTON, POWER

### ANSCHLÜSSE / JACKS

J101-103	1-507-430-XX	PHONO, 6 p;
J151-153		PHONO, TUNER, AUX
J104,154	1-507-433-21	PHONO, 4 p; TAPE 1, REC OUT 1
J105,155		
J401	1-507-561-00	BINAURAL, HEADPHONES



POS. NR.	SACHNR.	TECHN. DATEN/ BEZEICHNUNG
REF. NO.	PART NO.	DESCRIPTION

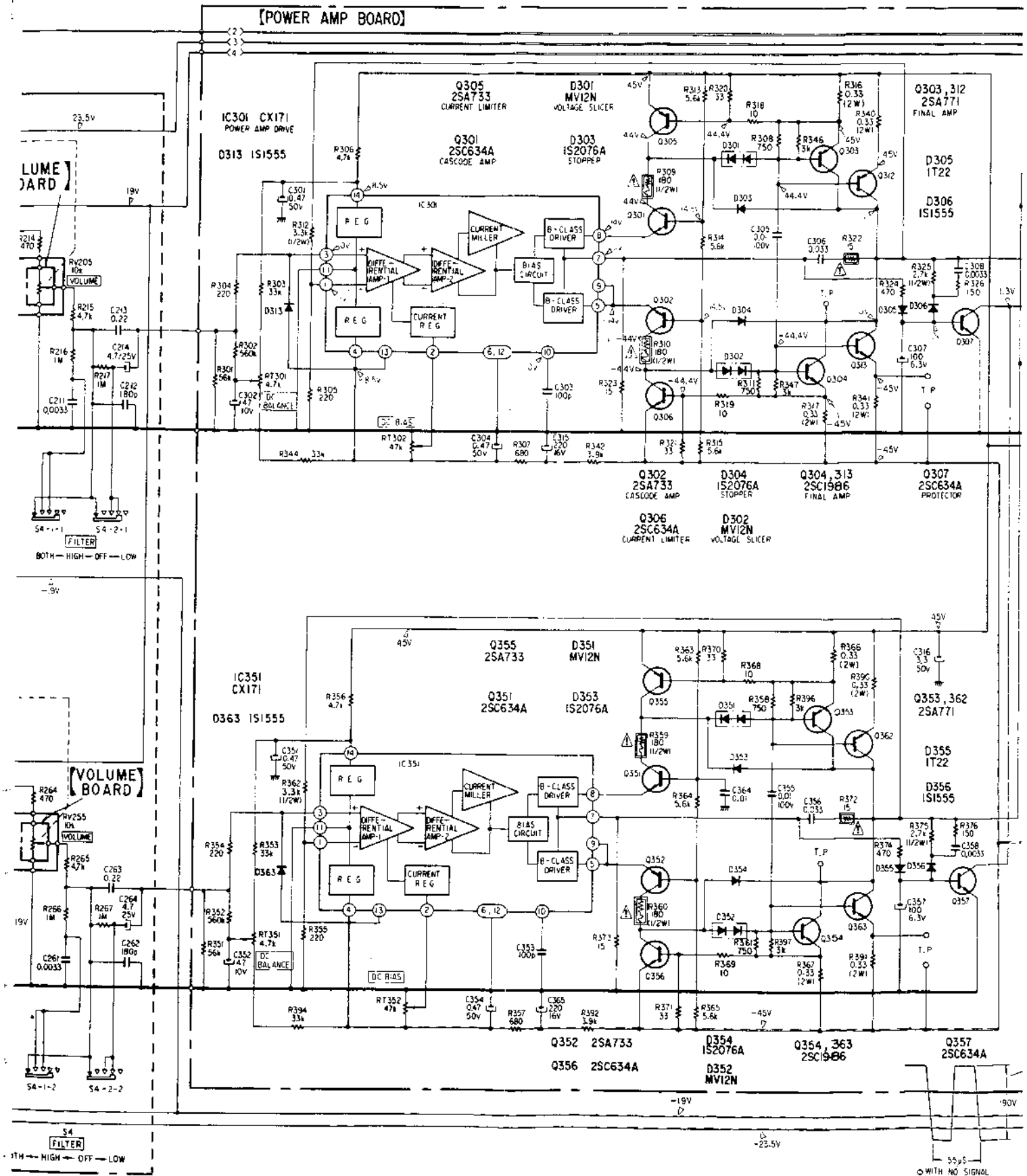
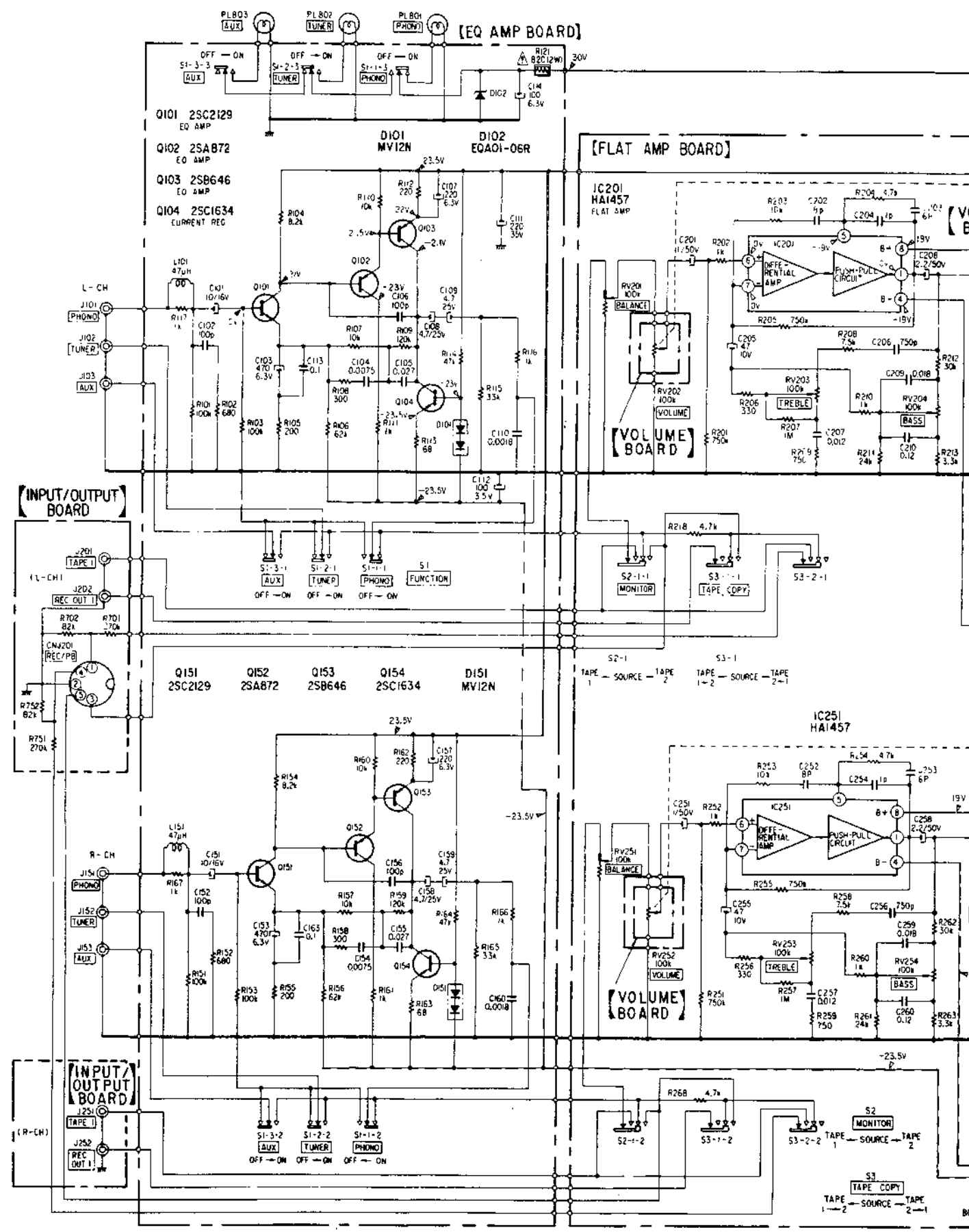
**SONSTIGES / MISCELLANEOUS**

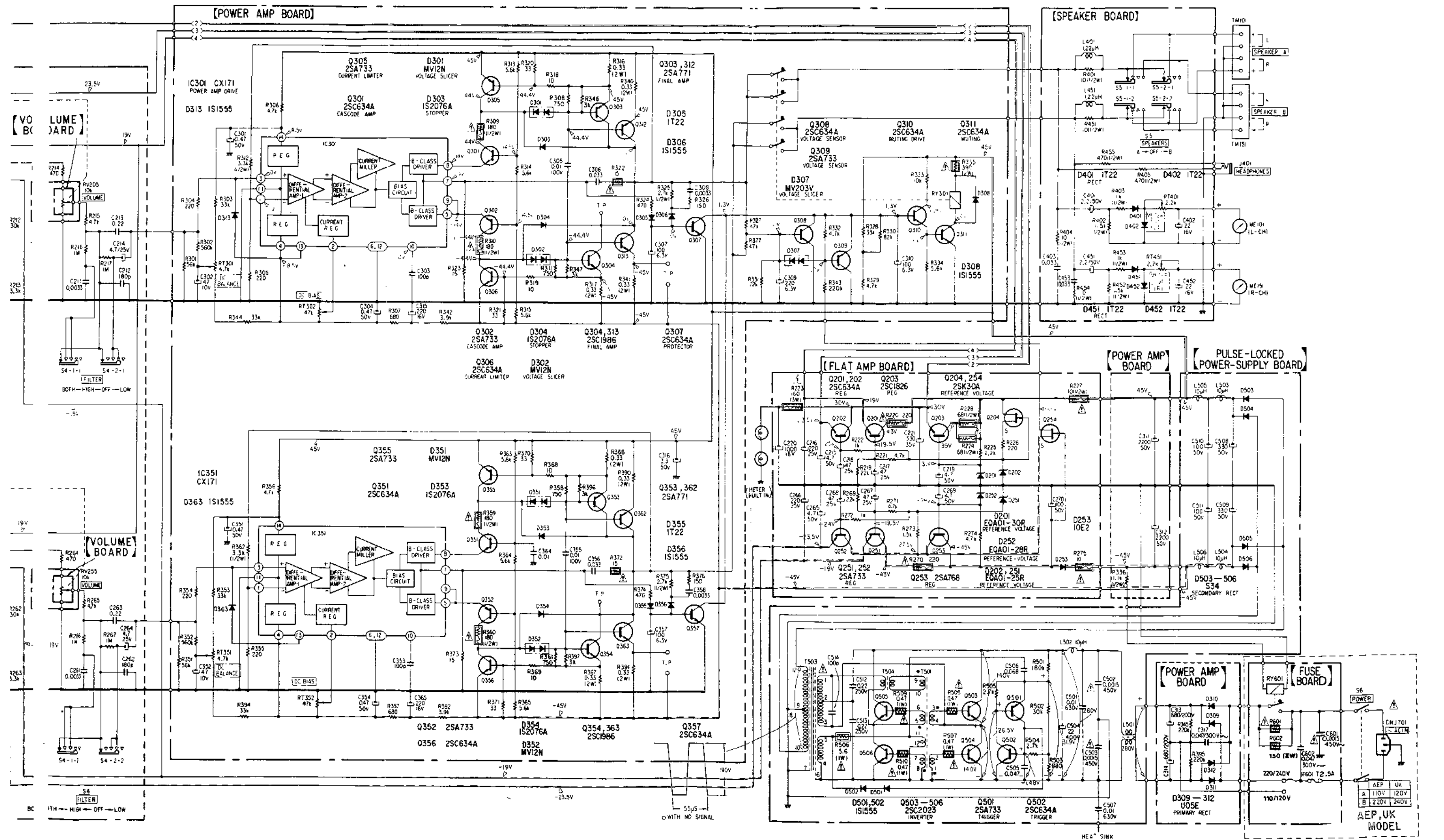
CNJ1	1-509-549-00	CONNECTOR, REC/PB (TAPE 2)
CNP2	1-509-546-00	CONNECTOR, 3 p; ~ AC IN
ME1,2	1-520-372-11	METER, INCLUDING LAMP (JPS 351 V - 130 R)
	1-520-372-21	METER, INCLUDING LAMP (JPS 351 V - 130 G)
RY201	1-515-302-00	RELAY
T1	1-446-189-00	TRANSFORMER, POWER
TM101,102	1-536-524-00	TERMINAL STRIP, SPEAKER A, B
	1-518-309-00	LAMP, INCLUDED METER
	1-533-131-00	HOLDER, FUSE
F401,402	1-532-257-11	
F403	1-532-078-11	

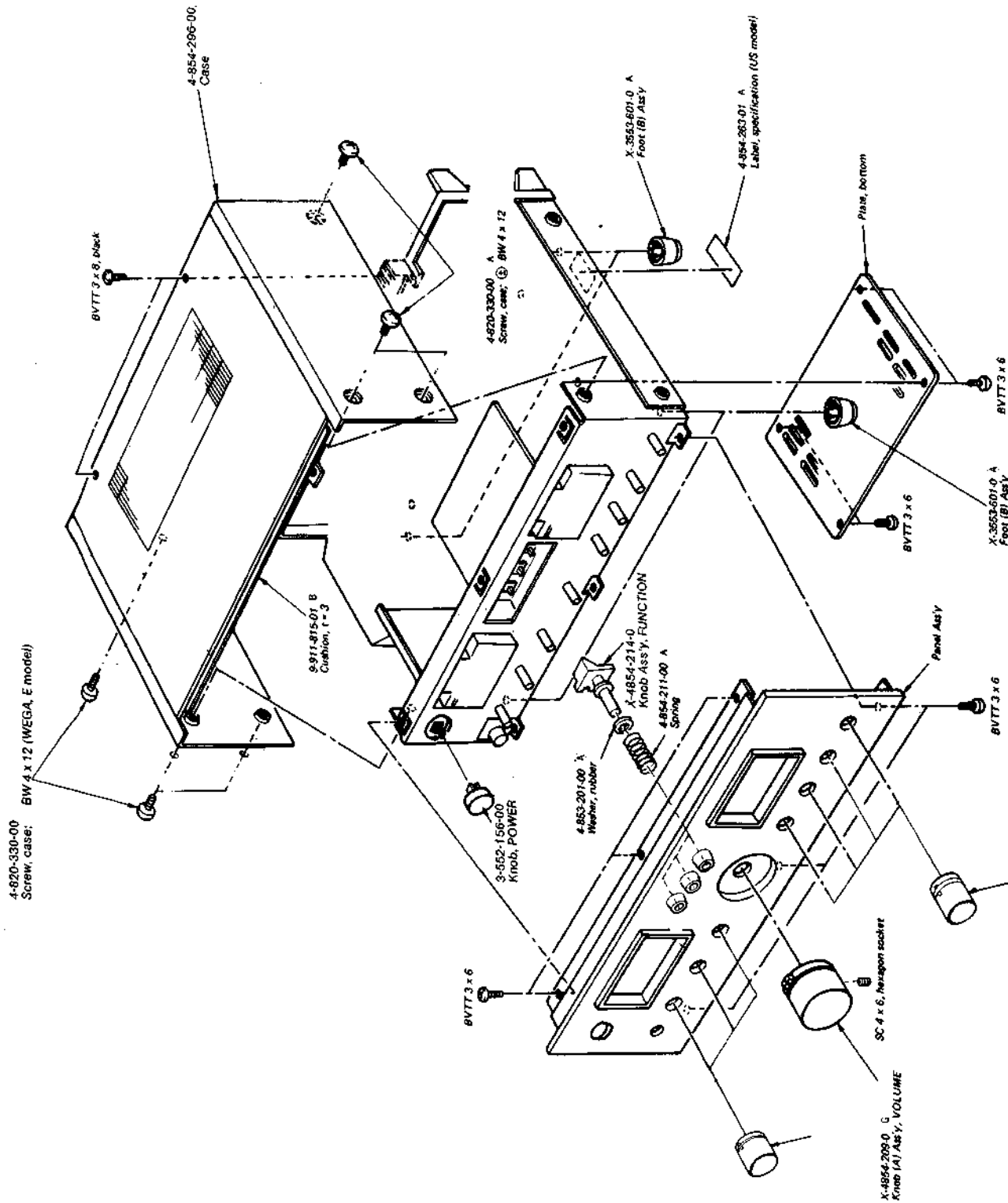
POS. NR.	SACHNR.	TECHN. DATEN/ BEZEICHNUNG
REF. NO.	PART NO.	DESCRIPTION

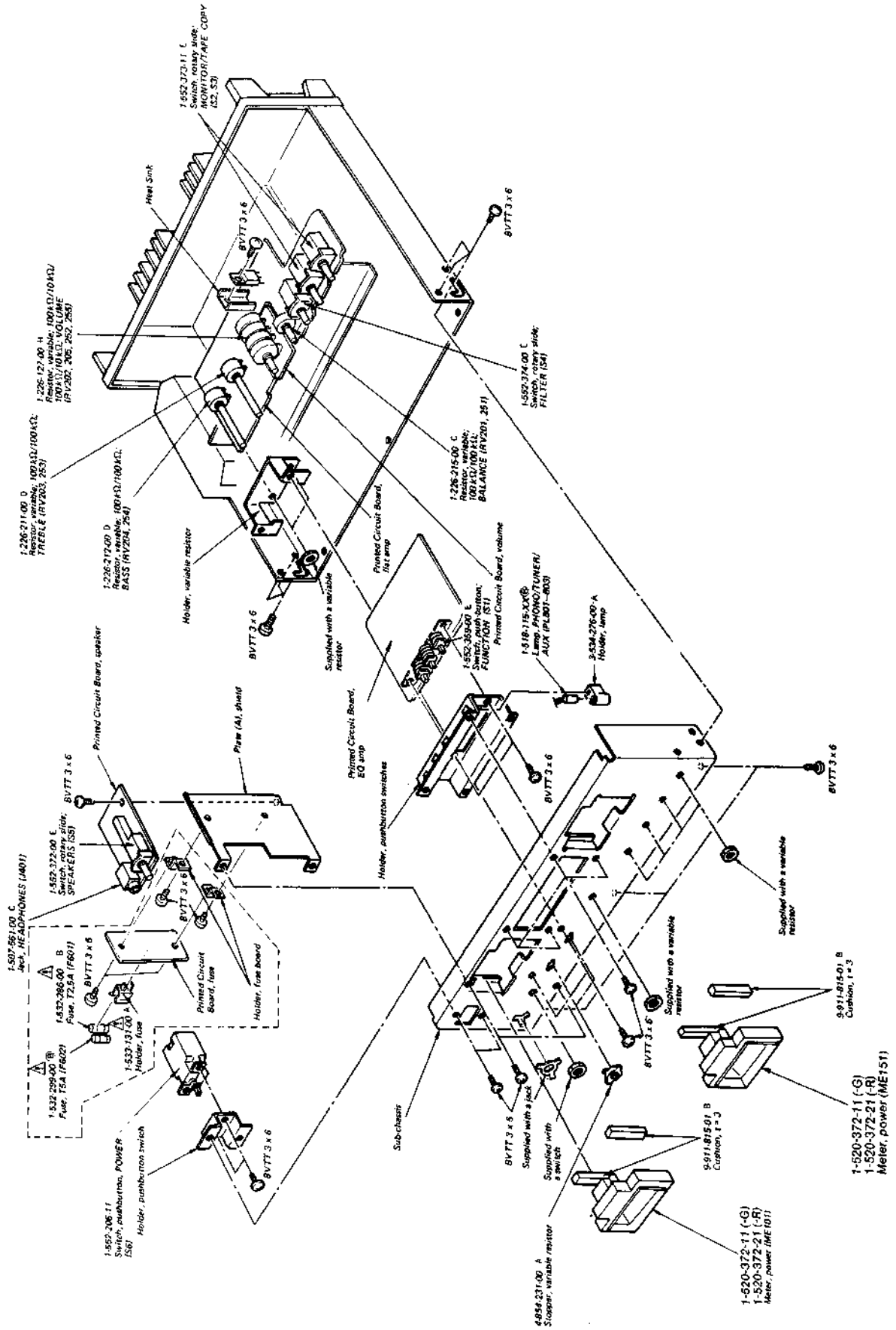
**ZUBEHÖR UND VERPACKUNGSMATERIAL /  
ACCESSORIES & PACKING MATERIALS**

	4-853-916-00	CUSHION
	4-854-339-00	CARTON











## ERSATZTEILE / ELECTRICAL PARTS LIST

POS. NR.	SACHNR.	TECHN. DATEN/ BEZEICHNUNG
REF. NO.	PART NO.	DESCRIPTION

### GEDRUCKTE SCHALTUNGSPLATTEN / PRINTED CIRCUIT BOARDS

1-586-490-00	INPUT/OUTPUT
1-586-492-00	SPEAKER

### HALBLEITER / SEMICONDUCTORS

#### TRANSISTOREN / TRANSISTORS

Q101,151	8-761-700-00	2SC1637-O
Q102,152	8-729-387-27	2SA872D
Q103,153	8-765-082-20	2SA896
Q104,154	8-729-663-47	2SC1364

Q201,202	8-729-663-47	2SC1364
Q203	8-729-307-62	2SD476A
Q204	8-729-203-04	2SK30A
Q251,252	8-727-788-00	2SA678
Q253	8-729-306-62	2SB566A
Q254	8-729-203-04	2SK30A

Q301,351	8-729-663-47	2SC1364
Q302,352	8-727-788-00	2SA678
Q303,353	8-729-377-12	2SA771
Q304,354	8-729-308-62	2SC1986C-O
Q305,355	8-727-788-00	2SA678

Q306-308	8-729-663-47	2SC1364
Q309	8-727-788-00	2SA678
Q310,311	8-729-663-47	2SC1364
Q312	8-729-377-12	2SA771
Q313	8-729-308-62	2SC1986C
Q356,357	8-729-663-47	2SC1364
Q362	8-729-377-12	2SA771
Q363	8-729-308-62	2SC1986C
Q501	8-727-788-00	2SA678
Q502	8-729-663-47	2SC1364
Q503-506	8-729-302-31	2SC2023-R
	8-729-302-32	2SC2023-O

#### DIODEN / DIODES

D101,151	8-719-912-00	MV12N
D102	8-719-931-06	EQB01-06
D201	8-719-931-30	EQB01-30
D202,251	8-719-931-25	EQB01-25
D252	8-719-931-28	EQB01-28
D253	8-719-200-02	10E2
D301,351	8-719-912-00	NV12N
D302,352		
D303,353	8-719-923-76	IS2076A
D304,354		
D305,355	8-719-422-21	IT22AM
D306,356	8-719-815-55	IS1555
D307	8-719-920-30	MV203V
D308	8-719-815-55	IS1555
D309-312	8-719-911-55	U05G
D401,402	8-719-422-21	IT22AM
D451,452		
D501,502	8-719-815-55	IS1555
D503-506	8-719-303-41	S34

#### ICs / ICs

IC201,251	8-759-314-57	HA1457
IC301,351	8-751-710-00	CX171

#### SPULEN / COILS

L101,151	1-407-165-00	47 $\mu$ H, MICROINDUCTOR
L501	1-421-340-00	LINE FILTER
L502-506	1-421-329-00	10 $\mu$ H, CHOKE

POS. NR.	SACHNR.	TECHN. DATEN/ BEZEICHNUNG
REF. NO.	PART NO.	DESCRIPTION

### TRANSFORMATOREN / TRANSFORMERS

T501	1-433-197-11
T503	1-446-012-11
T504	1-543-129-00

### KONDENSATOREN / CAPACITORS

Alle Werte, wenn nicht anders angegeben, in  $\mu$ F. Spannungen unter 50 V, ausgenommen bei Elkos, werden nicht angegeben.

All capacitors are in  $\mu$ F and ceramic unless otherwise noted. 50WV or less not indicated except for electrolytics.  $\mu$ F =  $\mu$ F, elect = electrolytic.

C101	1-121-651-11	10	16 V	ELECT
C102	1-102-973-11	100 p		
C103	1-121-424-11	470	6.3 V	ELECT
C104	1-108-576-12	0.0075		MYLAR
C105	1-108-589-12	0.027		MYLAR
C106	1-102-973-11	100 p		
C107	1-121-419-11	220	6.3 V	ELECT
C108,109	1-121-395-11	4.7	25 V	ELECT
C110	1-108-561-12	0.0018		MYLAR
C111	1-123-063-11	220	35 V	ELECT
C112	1-123-062-11	100	35 V	ELECT
C113	1-108-603-12	0.01		MYLAR
C114	1-123-197-11	100	6.3 V	ELECT
C15	1-121-651-11	10	16 V	ELECT
C152	1-102-873-11	100 p		
C153	1-121-424-11	470	6.3 V	ELECT
C154	1-108-576-12	0.0075		MYLAR
C155	1-108-589-12	0.027		MYLAR
C156	1-102-973-11	100 p		
C157	1-121-419-11	220	6.3 V	ELECT
C158,159	1-121-395-11	4.7	25 V	ELECT
C160	1-108-561-12	0.0018		MYLAR
C163	1-108-603-12	0.1		MYLAR
C201	1-121-391-11	1	50 V	ELECT
C202	1-102-945-11	8 p		
C203	1-102-943-11	6 p		
C204	1-102-938-11	1 p		
C205	1-121-352-11	47	10 V	ELECT
C206	1-104-074-11	750 p		POLYSTYROL
C207	1-108-581-12	0.012		MYLAR
C208	1-121-450-11	2.2	50 V	ELECT
C209	1-108-585-12	0.018		MYLAR
C210	1-108-605-12	0.12		MYLAR
C211	1-108-567-12	0.0033		MYLAR
C212	1-102-982-11	180 p		
C213	1-108-611-12	0.22		MYLAR
C214	1-121-395-11	4.7	25 V	ELECT
C215	1-123-182-11	4.7	50 V	ELECT
C216	1-121-936-11	220	25 V	ELECT
C217,218	1-121-410-11	47	25 V	ELECT
C219	1-121-396-11	4.7	50 V	ELECT
C220	1-121-944-11	1000	16 V	ELECT
C221	1-123-064-11	330	35 V	ELECT
C251	1-121-391-11	1	50 V	ELECT
C252	1-102-945-11	8 p		
C253	1-102-943-11	6 p		
C254	1-102-938-11	1 p		
C255	1-121-352-11	47	10 V	ELECT
C256	1-104-074-11	750 p		POLYSTYROL
C257	1-108-581-12	0.012		MYLAR
C258	1-121-450-11	2.2	50 V	ELECT
C259	1-108-585-12	0.018		MYLAR
C260	1-108-605-12	0.12		MYLAR
C261	1-108-567-12	0.0033		MYLAR
C262	1-102-982-11	180 p		
C263	1-108-611-12	0.22		MYLAR
C264	1-121-395-11	4.7	25 V	ELECT

POS. NR.	SACHNR.	TECHN. DATEN/ BEZEICHNUNG	DESCRIPTION
REF. NO.	PART NO.		
C265	1-123-182-11	4.7	50 V ELECT
C266	1-121-936-11	220	25 V ELECT
C267,268	1-121-410-11	47	25 V ELECT
C269	1-121-396-11	4.7	50 V ELECT
C270	1-123-059-11	100	50 V ELECT
C301	1-121-726-11	0.47	50 V ELECT
C302	1-121-352-11	47	10 V ELECT
C303	1-102-973-11	100 p	
C304	1-121-726-11	0.47	50 V ELECT
C305	1-106-196-11	0.01	100 VMYLAR
C306	1-108-591-12	0.033	MYLAR
C307	1-123-197-11	100	6.3 V ELECT
C308	1-108-567-12	0.0033	MYLAR
C309	1-121-419-11	220	6.3 V ELECT
C310	1-121-413-11	100	6.3 V ELECT
C311,312	1-123-256-11	2200	50 V ELECT
C313,314	1-123-291-11	680	200 VELECT
C315	1-123-068-11	220	16 V ELECT
C316	1-121-393-11	3.3	50 V ELECT
C317	1-108-749-12	0.047	300 VMYLAR
C351	1-121-726-11	0.47	50 V ELECT
C352	1-121-352-11	47	10 V ELECT
C353	1-102-973-11	100 p	
C354	1-121-726-11	0.47	50 V ELECT
C355	1-106-196-11	0.01	100 VMYLAR
C356	1-108-591-12	0.033	MYLAR
C357	1-123-197-11	100	6.3 V ELECT
C358	1-108-567-12	0.0033	MYLAR
C364	1-108-579-12	0.01	MYLAR
C365	1-123-068-11	220	16 V ELECT
C401	1-121-450-11	2.2	50 V ELECT
C402	1-121-479-11	22	16 V ELECT
C403	1-108-591-12	0.033	MYLAR
C451	1-121-450-11	2.2	50 V ELECT
C452	1-121-479-11	22	16 V ELECT
C453	1-108-591-12	0.033	MYLAR
C501	1-130-141-11	0.01	630 V POLYETHYLENE
C502,503	1-115-149-11	0.0015	450 VPAPER
C504	1-123-402-11	22	400 VELECT
C505	1-108-595-12	0.047	MYLAR
C506	1-108-599-12	0.068	MYLAR
C507	1-130-141-11	0.01	630 V POLYETHYLENE
C508,509	1-121-656-11	330	50 V ELECT
C510,511	1-121-417-11	100	50 V ELECT
C512,513	1-108-969-11	0.22	250 VMYLAR
C514	1-102-973-11	100 p	
C601	1-115-149-11	0.0015	450 VPAPER
C602	1-108-749-12	0.047	300 VMYLAR

#### WIDERSTÄNDE / RESISTORS

R241	1-206-662-11	820	2W METAL OXIDE (NONFLAMMABLE)
R220	1-212-889-11	220	1/4W CARBON (NONFLAMMABLE)
R223	1-206-706-11	180	3W METAL OXIDE (NONFLAMMABLE)
R224	1-212-978-11	68	1/2W CARBON (NONFLAMMABLE)
R227	1-212-958-11	10	1/2W CARBON (NONFLAMMABLE)
R228	1-212-978-11	68	1/2W CARBON (NONFLAMMABLE)
R270	1-212-889-11	220	1/4W CARBON (NONFLAMMABLE)
R275	1-212-857-11	10	1/4W CARBON (NONFLAMMABLE)
R309,310	1-121-988-11	180	1/2W CARBON (NONFLAMMABLE)
R316,317	1-217-152-11	0.33	2W WIREWOUND
R322	1-211-502-11	15	1/4W CARBON (NONFLAMMABLE)
R325	1-244-883-11	2.7 k	1/2W CARBON

POS. NR.	SACHNR.	TECHN. DATEN/ BEZEICHNUNG	DESCRIPTION
REF. NO.	PART NO.		
R335	1-206-654-11	390	2W METAL OXIDE (NONFLAMMABLE)
R336	1-244-874-11	1.1 k	1/2W CARBON
R340,341	1-127-152-11	0.33	2W WIREWOUND
R359,360	1-121-988-11	180	1/4W CARBON (NONFLAMMABLE)
R362	1-244-885-11	3.3 k	1/2W CARBON
R366,367	1-217-152-11	0.33	2W WIREWOUND
R372	1-211-502-11	15	1/4W CARBON (NONFLAMMABLE)
R390,391	1-217-152-11	0.33	2W WIREWOUND
R401	1-244-825-11	10	1/2W CARBON
R402	1-244-877-11	1.5 k	1/2W CARBON
R403	1-244-873-11	1 k	1/2W CARBON
R404	1-244-825-11	10	1/2W CARBON
R405	1-244-865-11	470	1/2W CARBON
R451	1-244-825-11	10	1/2W CARBON
R452	1-244-877-11	1.5 k	1/2W CARBON
R453	1-244-873-11	1 k	1/2W CARBON
R454	1-244-825-11	10	1/2W CARBON
R455	1-244-865-11	470	1/2W CARBON
R502	1-214-167-11	30 k	1/4W METAL OXIDE
R503	1-214-128-11	680	1/4W METAL OXIDE
R504	1-214-142-11	2.7 k	1/4W METAL OXIDE
R506	1-212-369-11	5.6	1W METAL OXIDE
R507-510	1-121-356-11	0.47	1W METAL OXIDE (NONFLAMMABLE)
RT301	1-224-251-XX	4.7 k	ADJUSTABLE; DC BALANCE
RT 302	1-224-254-XX	47 k	ADJUSTABLE; DC BIAS
RT351	1-224-251-XX	4.7 k	ADJUSTABLE; DC BALANCE
RT352	1-224-254-XX	47 k	ADJUSTABLE; DC BIAS
RT401	1-221-997-11	2.2 k	ADJUSTABLE; METER LEVEL
RT451	1-221-997-11	2.2 k	ADJUSTABLE; METER LEVEL
RV201,251	1-226-215-00	100 k/100 k	VARIABLE; BALANCE
RV202,252/ RV205,255		100 k/100 k/10 k/10 k	VARIABLE; VOLUME
RV203,253	1-226-211-00	100 k/100 k	VARIABLE; TREBLE
RV204,254	1-226-212-00	100 k/100 k	VARIABLE; BASS

#### SCHALTER / SWITCHES

S1	1-552-359-00	PUSHBUTTON; FUNCTION
S2	1-552-373-00	ROTARY SLIDE; MONITOR
S3	1-552-373-00	ROTARY SLIDE; TAPE COPY
S4	1-552-374-00	ROTARY SLIDE; FILTER
S5	1-552-372-00	ROTARY SLIDE; SPEAKERS
S6	1-552-206-11	POWER

#### ANSCHLÜSSE / JACKS

J101-103, J151-153	1-507-430-00	JACK, 6P; PHONO/TUNER/AUX
J201,202, J251,252	1-507-433-21	JACK, 4P; TAPE 1/REC OUT 1
J401	1-507-561-00	JACK, HEADPHONES

#### SONSTIGES / MISCELLANEOUS

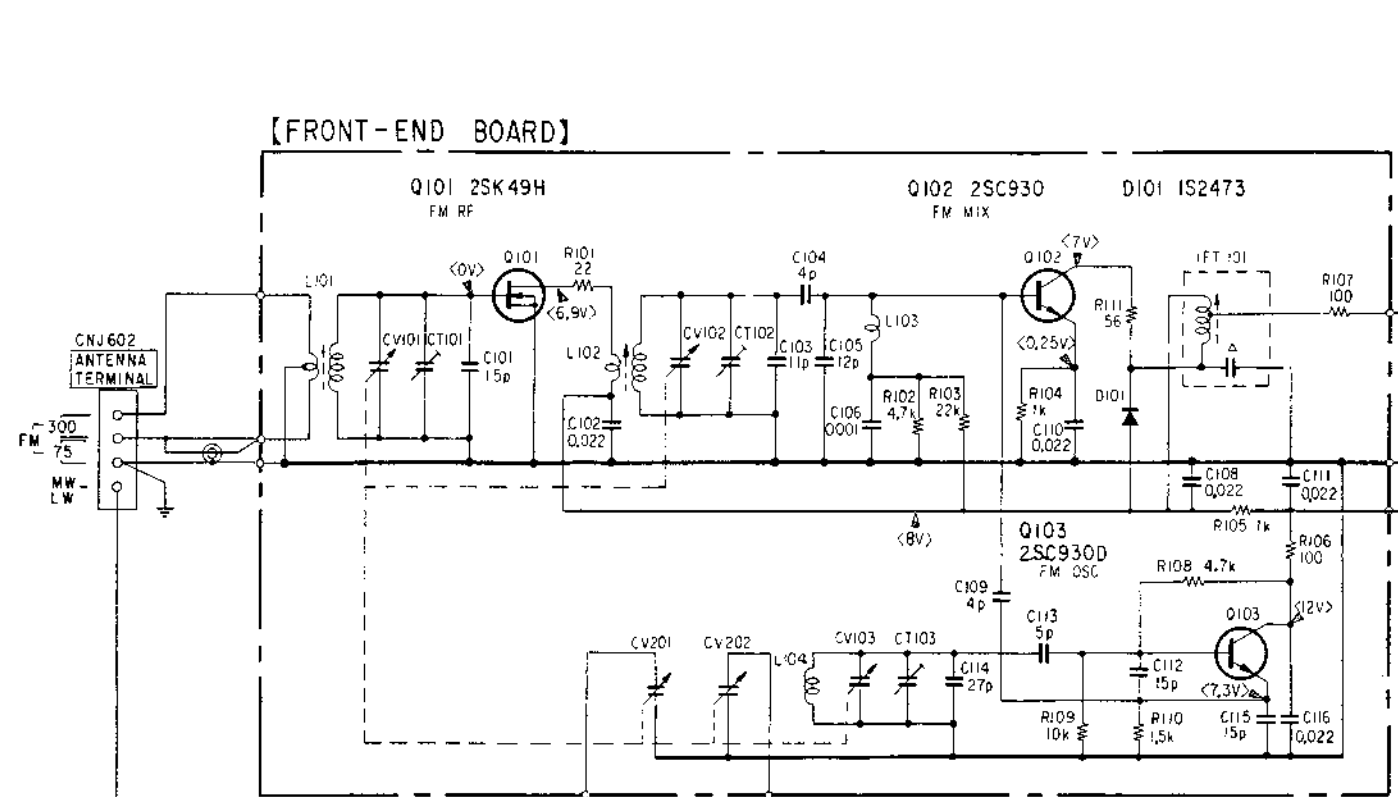
CNJ201	1-509-549-11	CONNECTOR; REC/PB
CNJ701	1-509-546-11	CONNECTOR; ~ AC IN
F601	1-532-286-00	FUSE, 2.5A
F602	1-532-299-00	FUSE, 5A
ME101,151	1-520-372-11	METER, POWER
PL801/802/ 803	1-518-115-00	LAMP; PHONO LAMP; TUNER



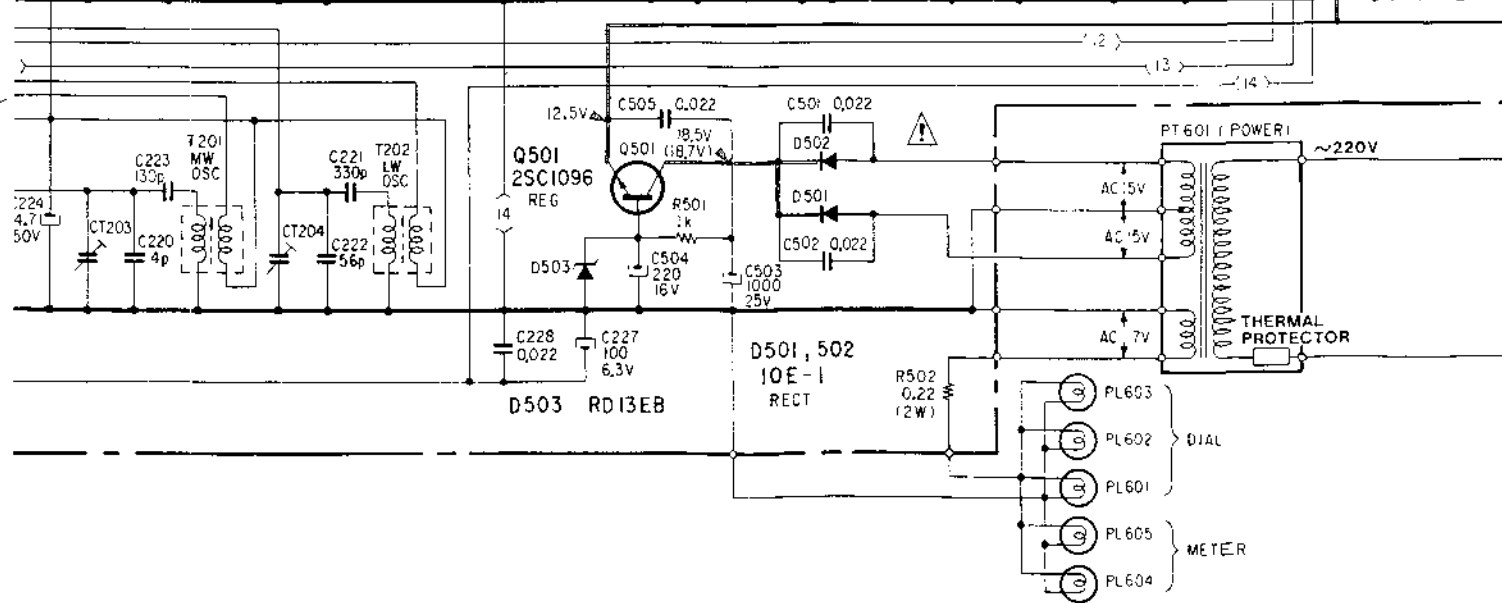
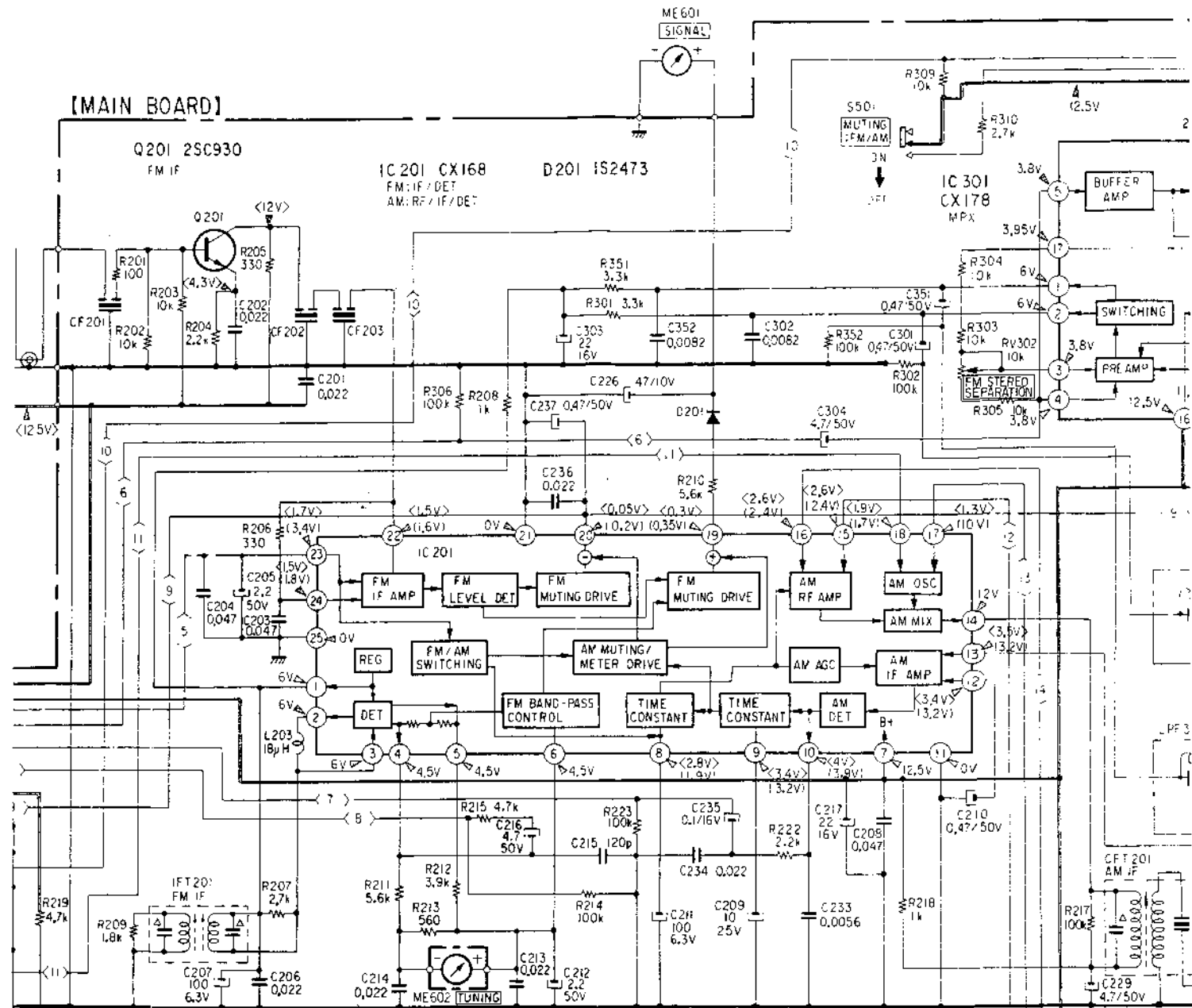
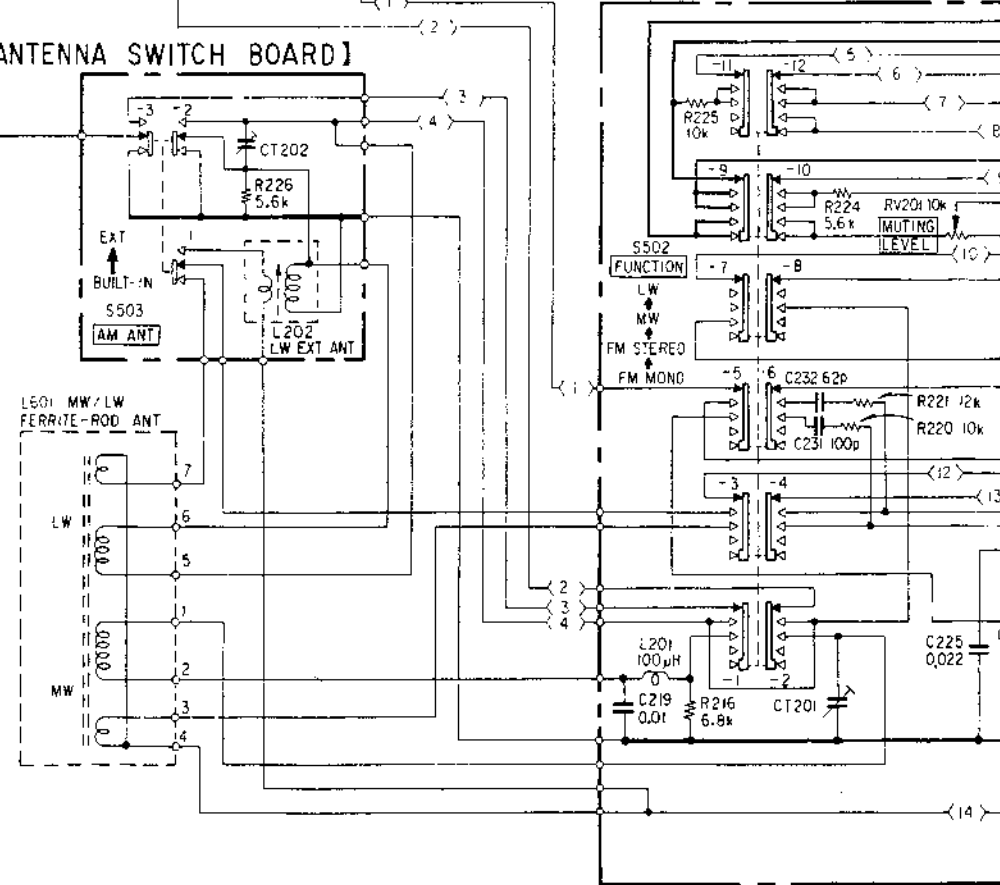
POS. NR.	SACHNR.	TECHN. DATEN/ BEZEICHNUNG
REF. NO.	PART NO.	DESCRIPTION
RY301	1-515-302-00	RELAY
RY601	1-516-278-00	RELAY
TM101,151	1-536-524-00	TERMINAL BOARD, 4 P; SPEAKER A/B
	1-533-131-00	HOLDER, FUSE

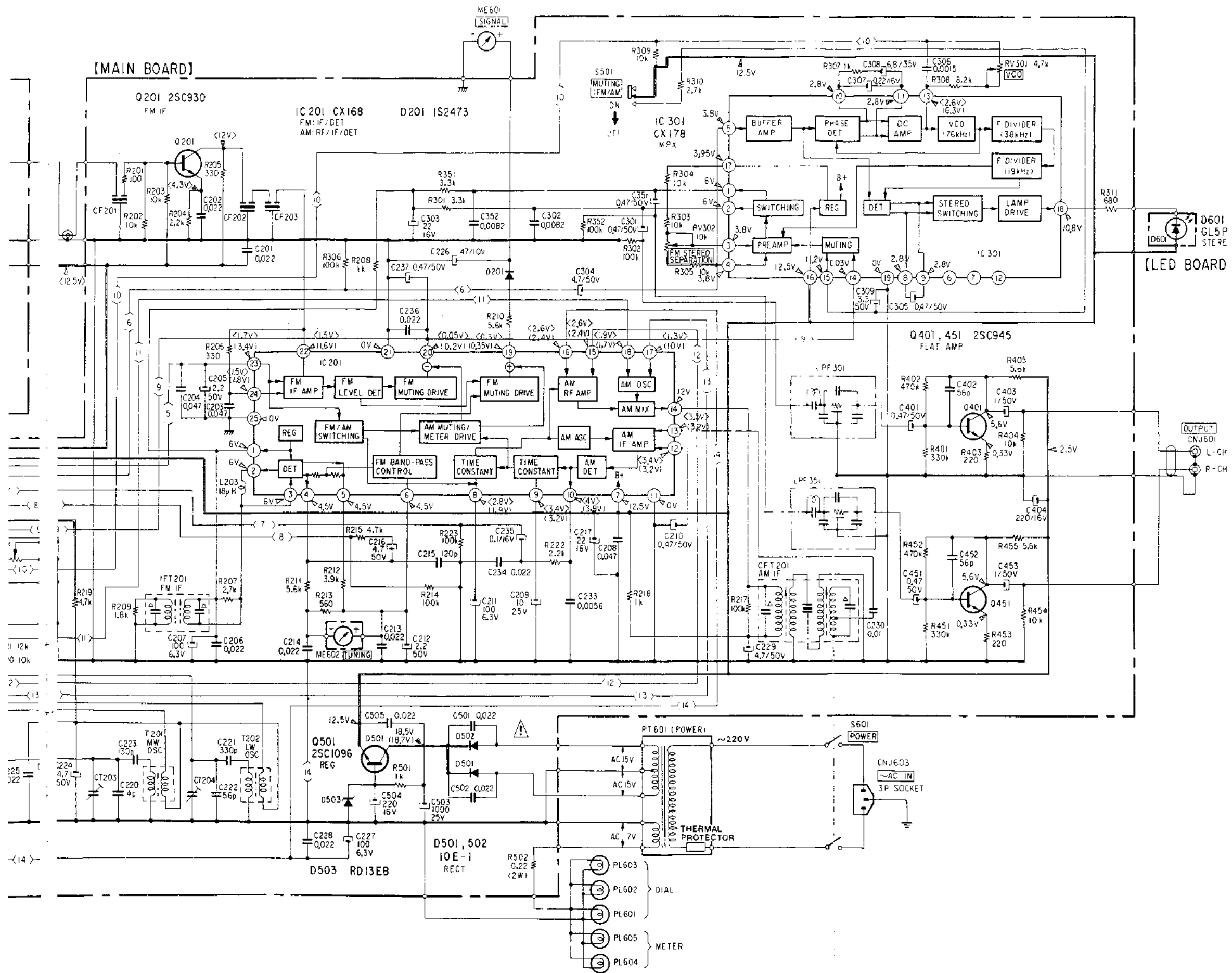
POS. NR.	SACHNR.	TECHN. DATEN/ BEZEICHNUNG
REF. NO.	PART NO.	DESCRIPTION
<b>ZUBEHÖR UND VERPACKUNGSMATERIAL / ACCESSORIES &amp; PACKING MATERIALS</b>		
	4-854-273-00	CUSHION
	4-859-102-00	CARTON

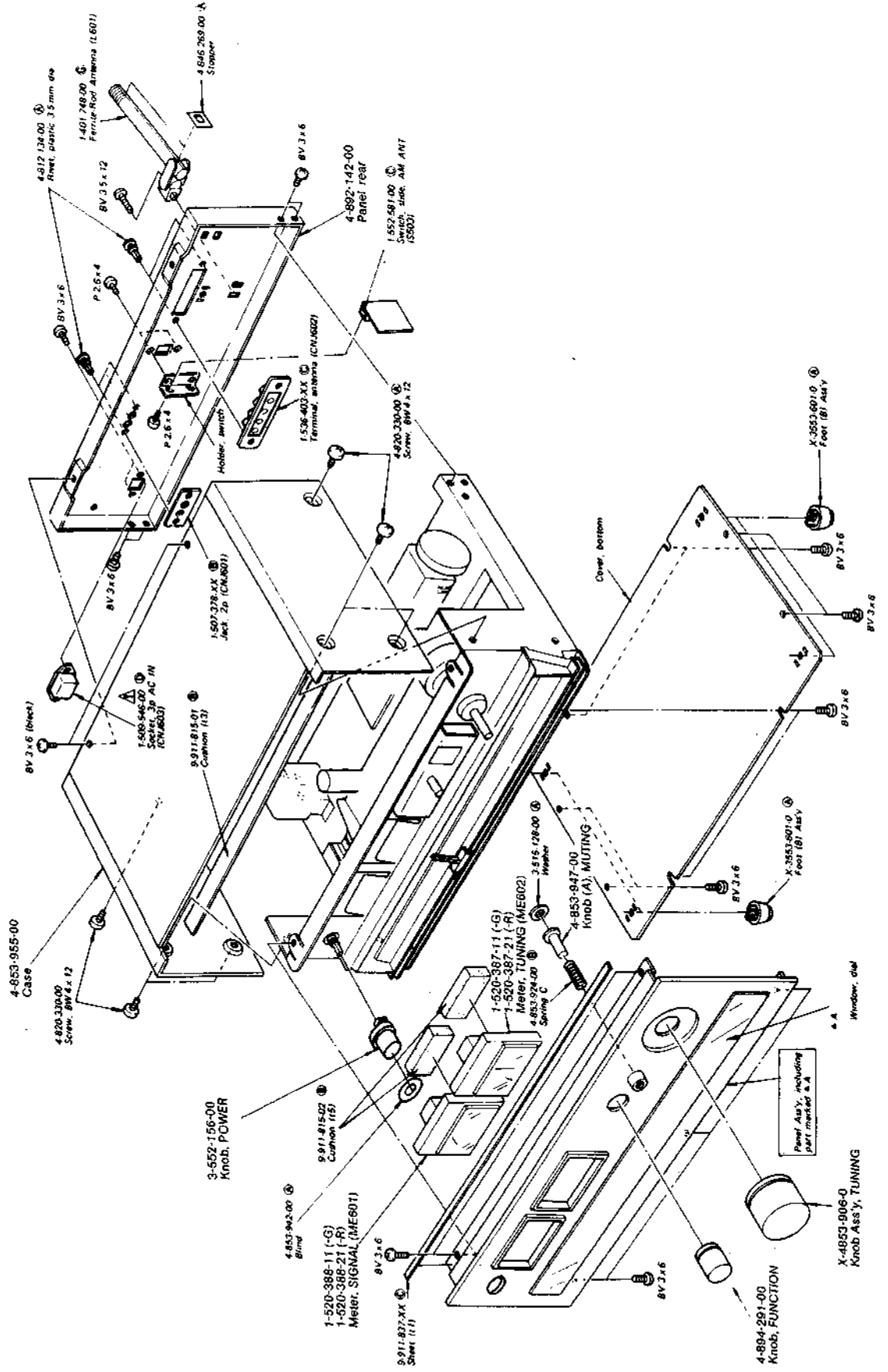




### [ANTENNA SWITCH BOARD]









## ERSATZTEILE / ELECTRICAL PARTS LIST

POS. NR.	SACHNR.	TECHN. DATEN/ BEZEICHNUNG
REF. NO.	PART NO.	DESCRIPTION

### TRANSISTOREN / TRANSISTORS

Q101	8-727-312-00	2SK42-2
Q102	8-729-803-04	2SC930
Q103	8-729-803-04	2SC930
Q201	8-729-803-04	2SC930
Q401,451	8-729-663-47	2SC1364
Q501	8-729-217-33	2SC1173

### ICs / ICs

IC201	8-751-680-01	CX168
IC301	8-751-780-00	CX178

### DIODEN / DIODES

D101,201	8-719-815-55	1S1555
D501,501	8-719-200-02	10E2
D503	8-719-931-13	EQB01-13
D601	8-719-801-09	TLR-109

### SPULEN / COILS

L101	1-459-233-00	FM RF
L102	1-405-599-00	FM RF
L201	1-407-169-XX	100 $\mu$ H, MICROINDUCTOR
L202	1-401-709-00	LW ANT
L203	1-407-741-00	18 $\mu$ H, MICROINDUCTOR
L601	1-401-748-00	FERRITE-ROD ANTENNA

### TRANSFORMATOREN / TRANSFORMERS

PT601	1-446-248-00	POWER
T201	1-405-817-00	MW OSC
IFT101	1-403-914-00	FM IFT
IFT201	1-404-011-00	DISCRIMINATOR
CFT201	1-404-087-00	AM IF

### KONDENSATOREN / CAPACITORS

Alle Werte, wenn nicht anders angegeben, in  $\mu$ F. Spannungen unter 50 V, ausgenommen bei Elkos, werden nicht angegeben.

All capacitors are in  $\mu$ F and ceramic unless otherwise noted. 50WV or less are not indicated except for electrolytics and tantalum. pF:  $\mu$ F, elect: electrolytic.

C101	1-102-951-11	15 p
C102	1-101-924-11	0.022
C103	1-102-948-11	11 p
C104	1-102-941-11	4 p
C105	1-102-949-11	12 p
C106	1-101-918-11	0.001
C108	1-101-924-11	0.022
C109	1-102-683-11	4 p
C110,111	1-101-924-11	0.022
C112	1-101-971-11	15 p
C113	1-101-970-11	5 p
C114	1-102-643-11	27 p
C115	1-102-951-11	15 p
C116	1-101-924-11	0.022
C201,202	1-101-924-11	0.022
C203,204	1-101-925-11	0.047
C205	1-121-450-11	2.2 50 V ELECT
C206	1-101-924-11	0.022
C207	1-121-652-11	33 35 V ELECT
C208	1-101-925-11	0.047
C209	1-121-398-11	10 25 V ELECT
C210	1-121-726-11	0.47 50 V ELECT
C211	1-121-652-11	33 35 V ELECT
C212	1-121-450-11	2.2 50 V ELECT

POS. NR.	SACHNR.	TECHN. DATEN/ BEZEICHNUNG
REF. NO.	PART NO.	DESCRIPTION

C213,214	1-101-924-11	0.022
C215	1-101-340-11	120 p
C216	1-121-396-11	4.7 50 V ELECT
C217	1-121-479-11	22 16 V ELECT
C219	1-108-239-12	0.01 MYLAR
C220	1-102-941-11	4 p
C221	1-104-065-11	330 p STYROL
C222	1-101-885-11	56 p
C223	1-104-056-11	130 p STYROL
C224	1-121-396-11	4.7 50 V ELECT
C225	1-101-924-11	0.022
C226	1-121-352-11	47 10 V ELECT
C227	1-121-652-11	33 35 V ELECT
C228	1-101-924-11	0.022
C229	1-121-396-11	4.7 50 V ELECT
C230	1-108-239-12	0.01 MYLAR
C231	1-102-975-11	100 p
C232	1-101-886-11	62 p
C233	1-108-355-12	0.0056 MYLAR
C234	1-108-242-12	0.022 MYLAR
C235	1-131-451-11	0.1 16 V TANTALUM
C236	1-101-924-11	0.022
C237	1-121-726-11	0.47 50 V ELECT
C301	1-121-736-11	0.47 50 V ELECT
C302	1-108-356-12	0.0082 MYLAR
C303	1-121-479-11	22 16 V ELECT
C304	1-121-396-11	4.7 50 V ELECT
C305	1-121-726-11	0.47 50 V ELECT
C306	1-108-228-12	0.0015 MYLAR
C307	1-131-453-11	0.22 16 V TANTALUM
C308	1-131-239-11	6.8 35 V TANTALUM
C309	1-121-393-11	3.3 50 V ELECT
C351	1-121-726-11	0.47 50 V ELECT
C352	1-108-356-12	0.0082 MYLAR
C401	1-121-726-11	0.47 50 V ELECT
C402	1-101-885-11	56 p
C403	1-121-391-11	1 50 V ELECT
C404	1-121-421-11	220 16 V ELECT
C451	1-121-726-11	0.47 50 V ELECT
C452	1-101-885-11	56 p
C453	1-121-391-11	1 50 V ELECT
C501,502	1-101-924-11	0.022
C503	1-121-657-11	1000 ELECT
C504	1-121-421-11	220 16V ELECT
C505	1-101-924-11	0.022
CT201	1-141-138-XX	TRIMMER
CT202	1-141-147-XX	TRIMMER
CT203	1-141-138-XX	TRIMMER
CT204	1-141-147-XX	TRIMMER
CV101-103		
CT101-103	1-151-325-00	TUNING
CV201,202		

POS. NR.	SACHNR.	TECHN. DATEN/ BEZEICHNUNG
REF. NO.	PART NO.	DESCRIPTION

**WIDERSTÄNDE / RESISTORS**

R502	1-217-151-11	0.22 2W WIREWOUND
RV201	1-226-236-00	10 k, ADJUSTABLE, MUTING LEVEL
RV301	1-226-235-00	4.7 k, ADJUSTABLE; VCO
RV302	1-226-236-00	10 k, ADJUSTABLE; FM STEREO SEPARATION

**SCHALTER / SWITCHES**

S501	1-516-972-00	PUSHBUTTON, MUTING FM/AM
S502	1-552-582-00	ROTARY-SLIDE, FUNCTION
S503	1-552-581-00	SLIDE, AM ANT
S601		PUSHBUTTON, POWER

POS. NR.	SACHNR.	TECHN. DATEN/ BEZEICHNUNG
REF. NO.	PART NO.	DESCRIPTION

**SONSTIGES / MISCELLANEOUS**

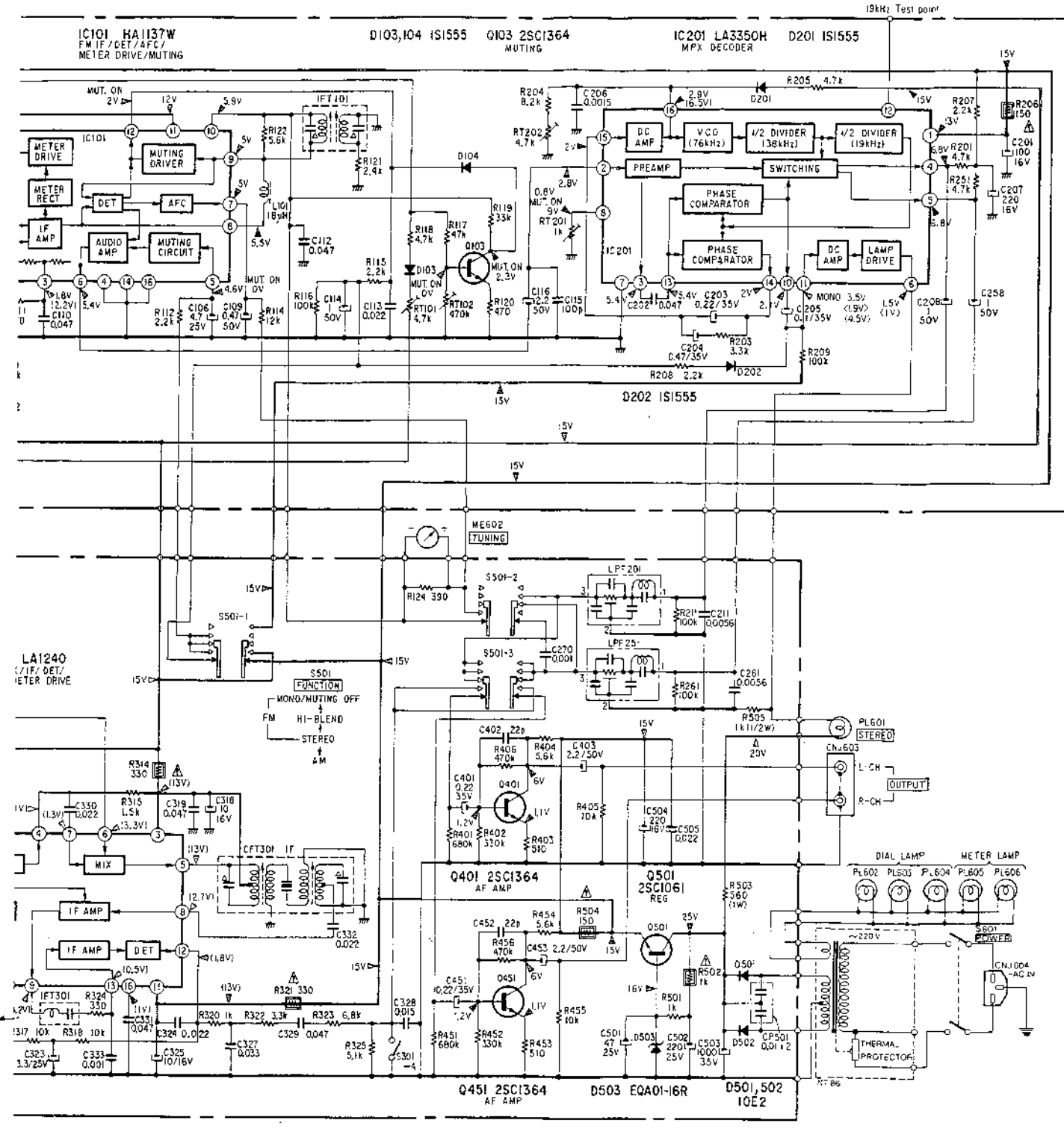
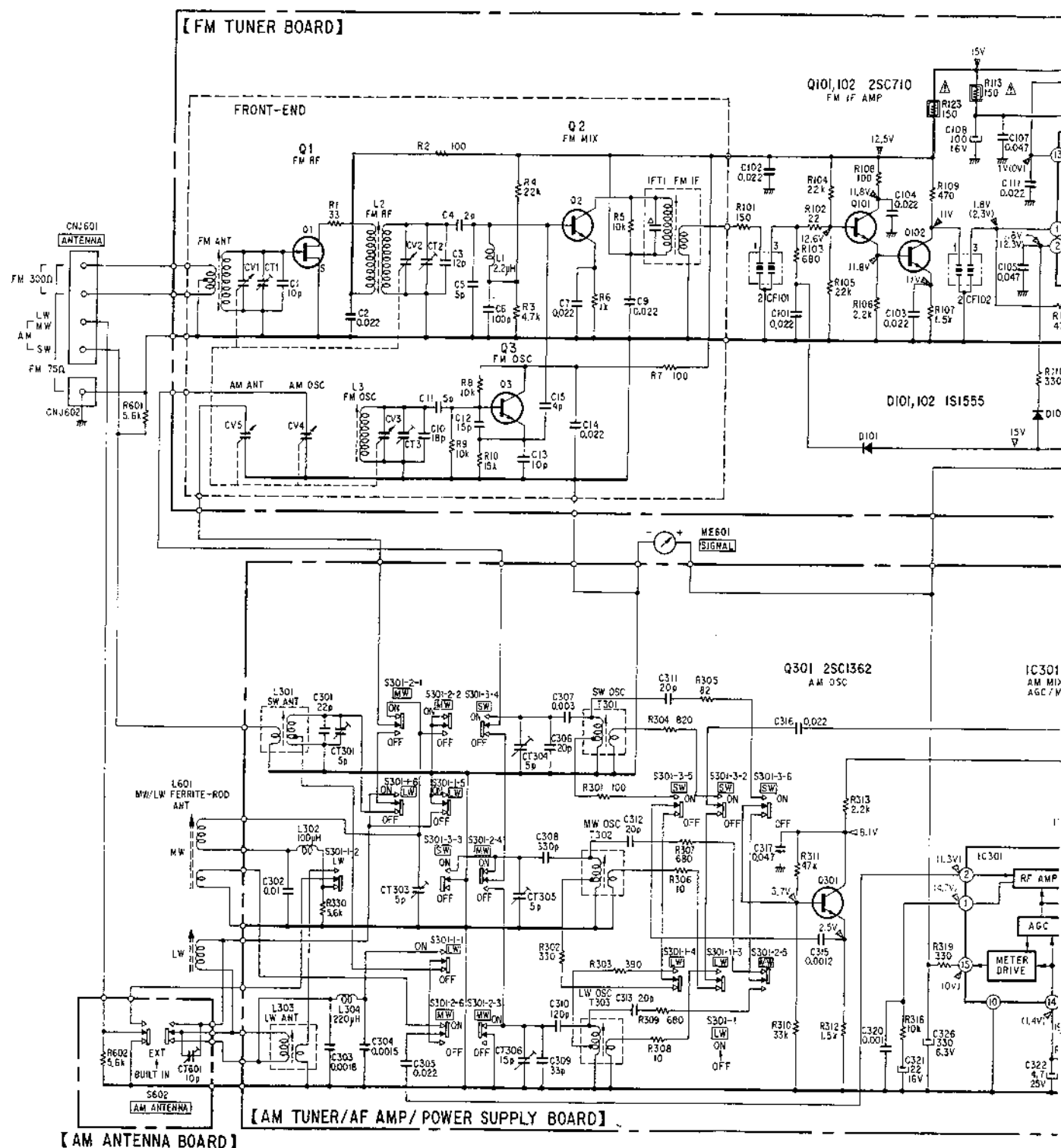
CF201-203	1-527-307-XX	CERAMIC FILTER
CNJ601	1-507-378-XX	JACK, 2 p
CNJ602	1-536-403-XX	TERMINAL, ANTENNA
CNJ603	1-509-546-00	SOCKET, 3 p AC IN
LPF301,351	1-231-303-00	LOWPASS FILTER
ME601	1-520-388-11	METER, SIGNAL
	1-520-388-21	METER, SIGNAL
ME602	1-520-387-11	METER, TUNING
	1-520-21	METER, TUNING
PI601-603	1-518-297-00	LAMP
PL601-603	1-518-298-22	LAMP, INCLUDING REFLECTOR

**ZUBEHÖR UND VERPACKUNGSMATERIAL /  
ACCESSORIES & PACKING MATERIALS**

1-501-161-00	FEEDER ANTENNA
4-892-106-00	CUSHION
4-842-844-00	CARTON



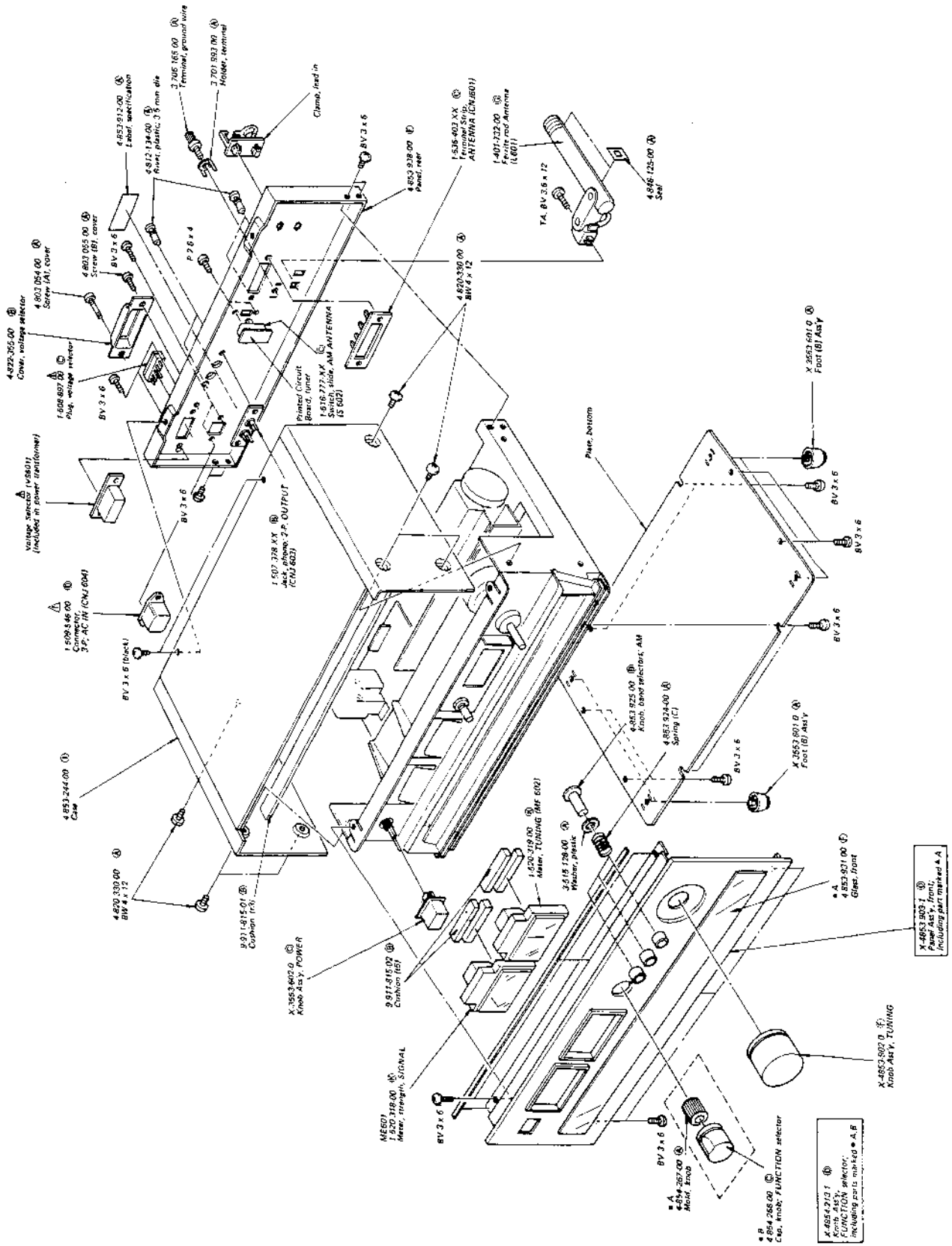




• Switch

Ref. No.	Switch	Position
S301-1-1~1-6	LW	OFF
S301-2-1~2-6	MW	ON
S301-3-2~3-6	SW	OFF
S501	FUNCTION	FM STEREO
S601	POWER	OFF
S602	AM ANTENNA	BUILT IN

Switch	Position
LW	OFF
MW	ON
SW	OFF
FUNCTION	FM STEREO
POWER	OFF
AM ANTENNA	BUILT IN





## ERSATZTEILE / ELECTRICAL PARTS LIST

POS. NR.	SACHNR.	TECHN. DATEN/ BEZEICHNUNG
REF. NO.	PART NO.	DESCRIPTION

### TRANSISTOREN / TRANSISTORS

Q101	8-729-671-14	2SC710-14
Q102	8-729-671-14	2SC710-14
Q103	8-729-663-47	2SC1364-7
Q103	8-769-053-46	2SC1634-6
Q301	8-729-190-08	2SC900
Q401	8-729-663-47	2SC1364-7
Q401	8-769-053-46	2SC1634-6
Q451	8-729-663-47	2SC1364-7
Q451	8-769-053-46	2SC1634-6
Q501	8-729-316-16	2SC1061

### DIODEN UND GLEICHRICHTER / DIODES AND -----

D101	8-719-815-55	1S1555
D102	8-719-815-55	1S1555
D103	8-719-815-55	1S1555
D104	8-719-815-55	1S1555
D201	8-719-815-55	1S1555
D202	8-719-815-55	1S1555
D501	8-719-200-02	1OE-2
D502	8-719-200-02	1OE-2
D503	8-719-936-16	EQA01-16R

### INTEGRIERTE SCHALTUNGEN / -----

IC101	6-066-704-60	HA1137W
IC201	8-759-803-50	LA3350H
JC301	8-759-812-40	LA1240

### SPULEN, FILTER, TRAFOS / -----

	1-141-732-12	MW-LW FERRITANTENNE KPL.
	6-062-509-10	NT 85 NETZTRAFO
CF101	1-527-277-91	10,7 MHZ KER-FILTER
CF102	1-527-277-91	10,7 MHZ KER-FILTER
CFT301	1-404-087-11	460 KHZ KER-FILTER
FI30	1-404-085-11	AM-DEMODUL.-KREIS
FI101	1-404-011-12	DISKRIMINATOR FILTER F. GERÄT T 3740
L101	1-407-741-11	18 UH MIKROINDUKTIVITÄT
L301	1-401-710-11	KW-ANTENNENKREIS
L302	1-407-169-11	100 UH LF-1 MIKROINDUKTIVITÄT
L303	1-401-709-11	LW-ANTENNENKREIS
L304	1-407-173-11	220 UH NF-1 MIKROINDUKTIVITÄT

### KONDENSATOREN / CAPACITORS

C402	1-102-959-51	22 P 5% 50 V KER-KOND.
C452	1-102-959-51	22 P 5% 50 V KER-KOND.
CT301	1-141-178-12	0,8-5 P TRIMMKONDENSATOR
CT303	1-141-178-12	0,8-5 P TRIMMKONDENSATOR
CT304	1-141-178-12	0,8-5 P TRIMMKONDESATOR
CT305	1-141-178-12	0,8-5 P TRIMMKONDENSATOR
CT306	1-141-180-12	1-15 P TRIMMKONDENSATOR
CT601	1-141-179-21	1-10 P TRIMMKONDENSATOR

### ELKOS / ELKOS

C203	6-053-905-50	R 5 220 N -20 S 35 V TANTAL-ELKO
C204	6-053-903-40	470 N -20% S 35 V TANTAL-ELKO
C205	6-053-905-60	R 5 100 N -20% V 35 V

POS. NR.	SACHNR.	TECHN. DATEN/ BEZEICHNUNG
REF. NO.	PART NO.	DESCRIPTION

### TANTAL-ELKO

C401	6-053-905-50	R 5 220 n -20% S 35 V TANTAL-ELKO
C451	6-053-905-50	r 5 220 N -20% S 35 V TANTAL-ELKO
C503	1-121-945-51	1000 U -10% 35 V ELKO

### WIDERSTÄNDE / RESISTORS

R113	6-052-814-10	150 E 5% 0,33 W SCHIWD
R123	6-052-814-10	150 E 5% 0,33 W SCHIWD
R206	6-052-814-10	150 E 5% 0,33 W SCHIWD
R314	6-052-814-20	330 E 5% 0,33 W SCHIWD
R321	6-052-814-20	330 E 5% 0,33 W SCHIWD
R403	6-050-151-10	510 E 5% 0,33 W SCHIWD 0309
R453	6-050-151-10	510 E 5% 0,33 W SCHIWD 0309
R502	6-052-814-30	1 K 5% 0,33 W SCHIWD
R503	6-052-014-20	560 E 5% 1 W MOX.-WID.
R504	6-052-814-10	150 E 5% 0,33 W SCHIWD

### POTENTIOMETER / -----

RT101	1-221-978-11	4,7K LIN
RT102	1-222-702-11	470 K LIN
RT201	1-222-517-31	1 K LIN
RT202	1-222-518-31	4,7K LIN

### SICHERUNGEN UND LAMPEN / -----

1-518-169-61	STEREO-ANZEIGELAMPE
--------------	---------------------

### SONSTIGES / MISCELLANEOUS

CP501	1-102-355-11	0.01 x 2 500 V, CERAMIC
LPF201,251	1-231-303-00	FILTER, LOW-PASS
ME601	1-520-318-00	METER, STRENGTH; SIGNAL
ME602	1-520-319-00	METER, TUNING
PL601	1-518-169-XX	LAMP, STEREO
	1-518-298-00	REFLECTOR, LIGHT (INCLUDING DIAL LAMPS PL602, 603, 604)
PL602,603, PL604	1-518-297-00	LAMP, DIAL
PL605,606	1-518-309-00	LAMP, METER

### GEHÄUSE- UND VERPACKUNGSTEILE /

#### HOUSING AND -----

X-3553-602-1	NETZSCHALTERKNOPF
X-4853-902-1	DREHKNOPF-TUNING
4-853-925-01	TASTENSCHALTERKNOPF
4-853-926-01	SICHTSCHEIBE STEREO
4-853-934-02	SKALA BEDRUCKT
4-853-937-01	FRONTBLLENDE
4-853-938-03	RÜCKWAND
4-854-266-01	DREHSCHALTERKNOPF

### LEITERPLATTEN / -----

6-072-000-90	AM-FM PLATTE BEST. GERÄT ST-A4L
--------------	------------------------------------

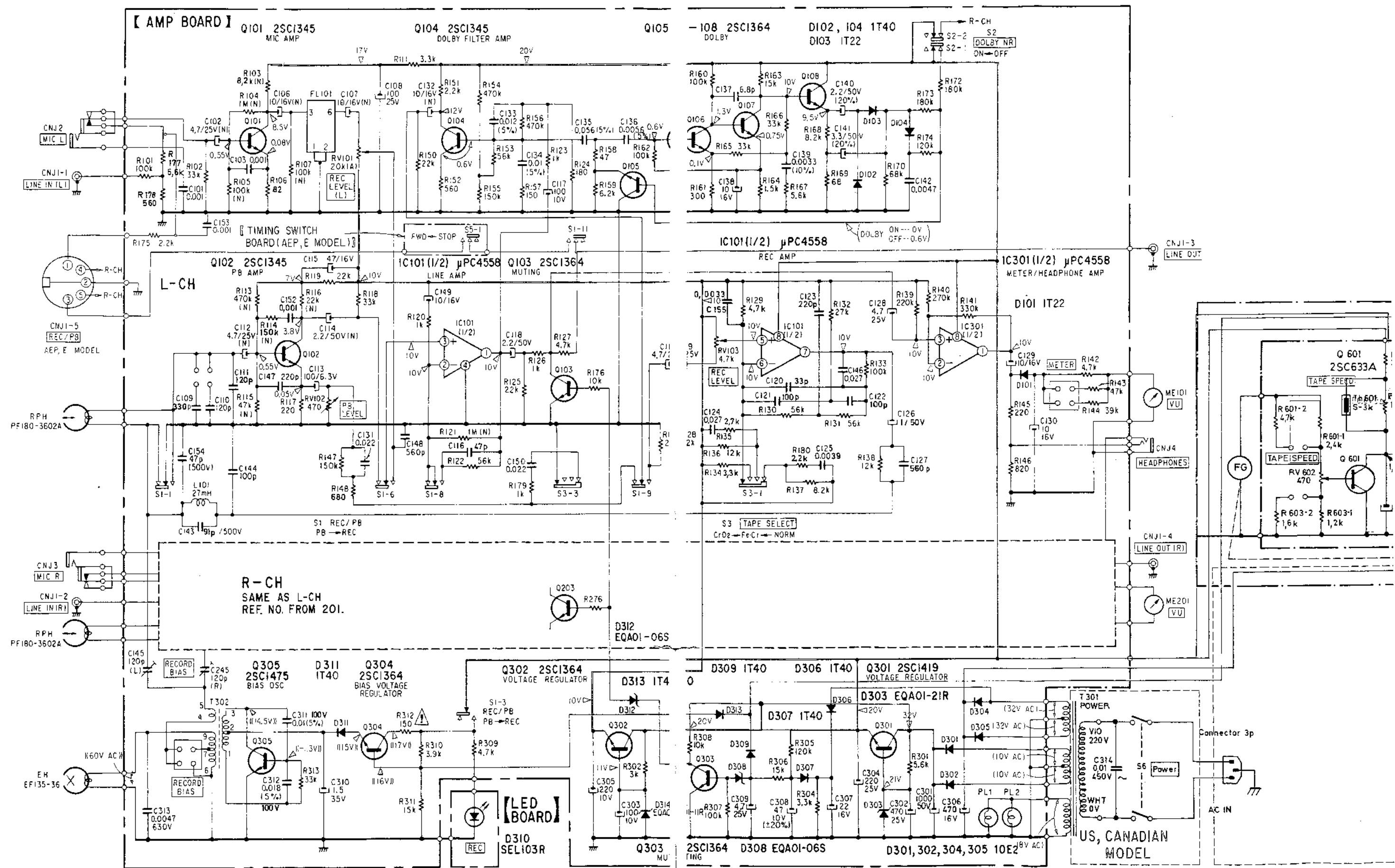
### ANSCHLÜSSE / JACKS

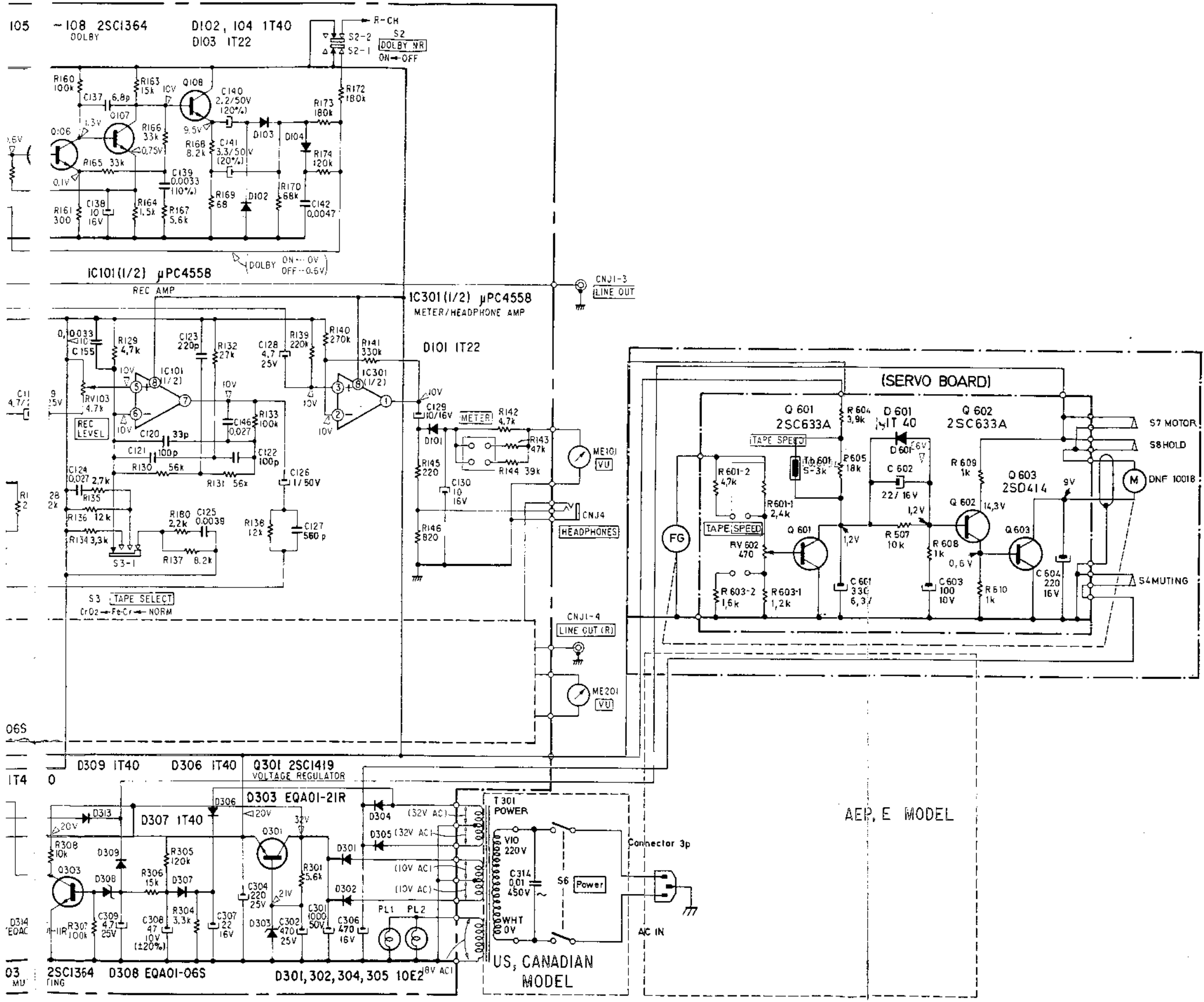
CNJ601	1-536-403-XX	TERMINAL STRIP, ANTENNA
CNJ603	1-507-378-XX	PHONO, 2-p; OUTPUT
CNJ604	1-509-546-00	CONNECTOR, 3-p; AC IN
	1-508-897-00	PLUG, VOLTAGE SELECTOR

### SCHALTER / SWITCHES

S301	1-552-441-00	PUSH-BUTTON, AM
S501	1-552-376-00	ROTARY, FUNCTION
S601	1-552-206-11	PUSH, POWER
S602	1-516-777-XX	SLIDE, AM ANTENNA

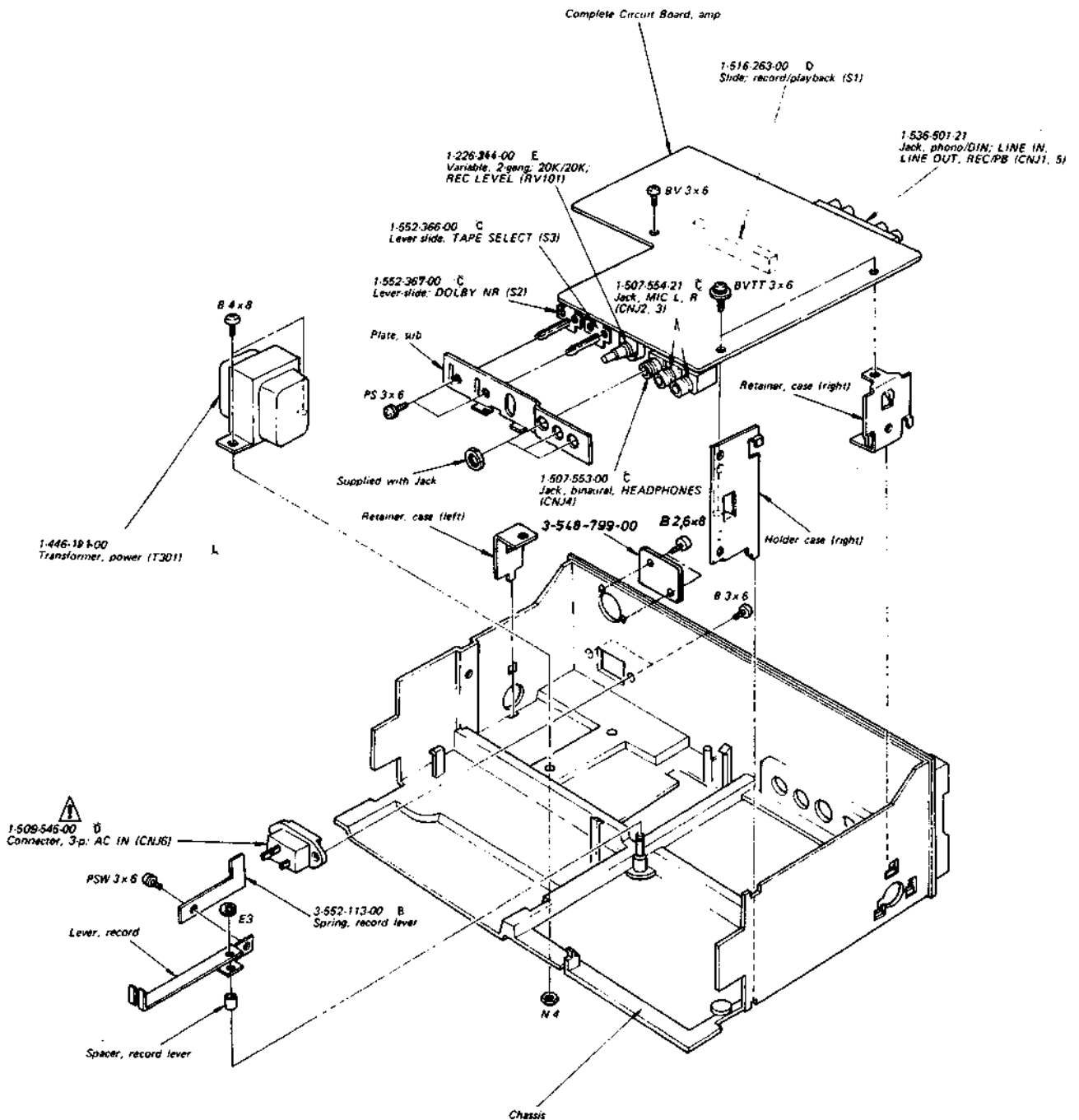


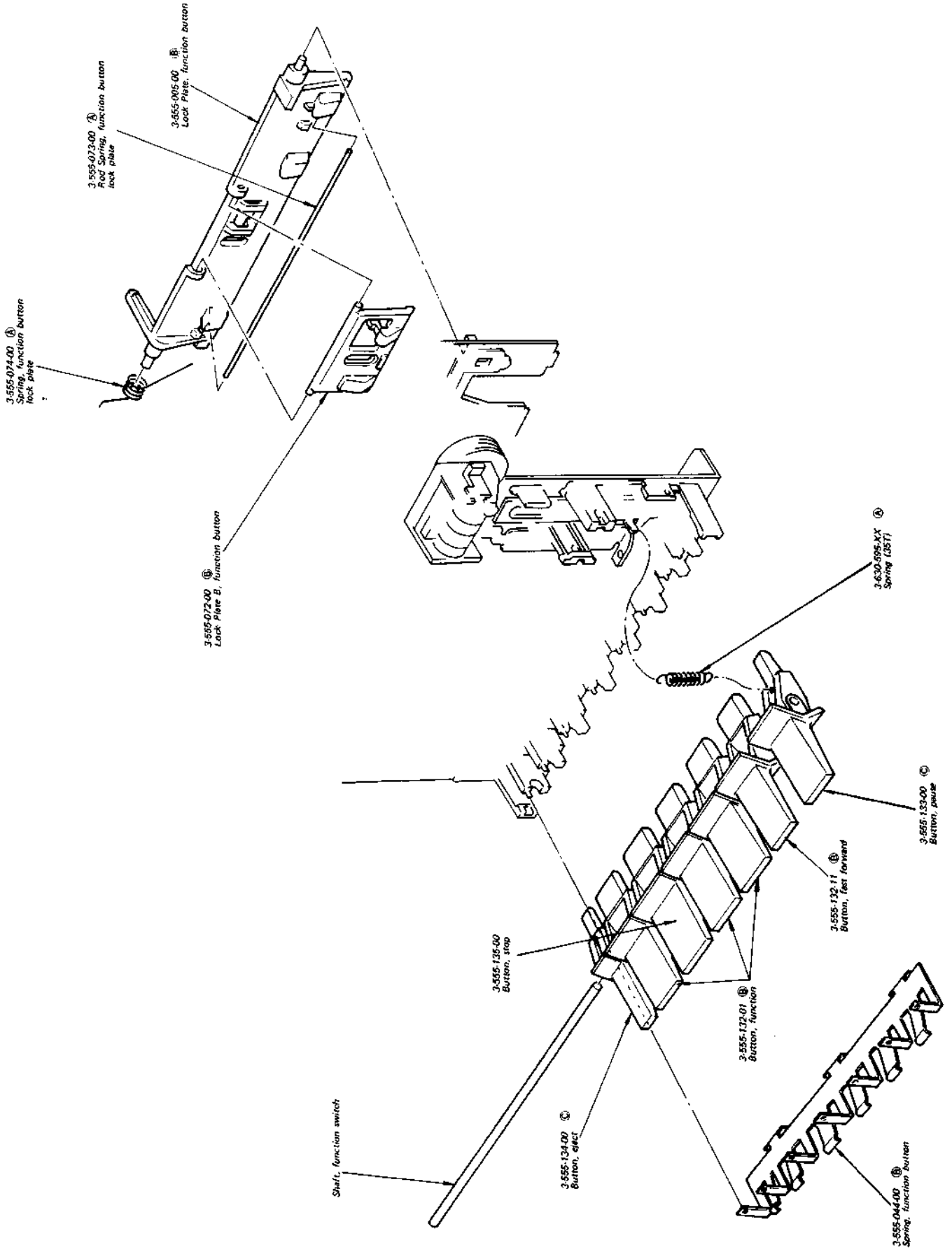


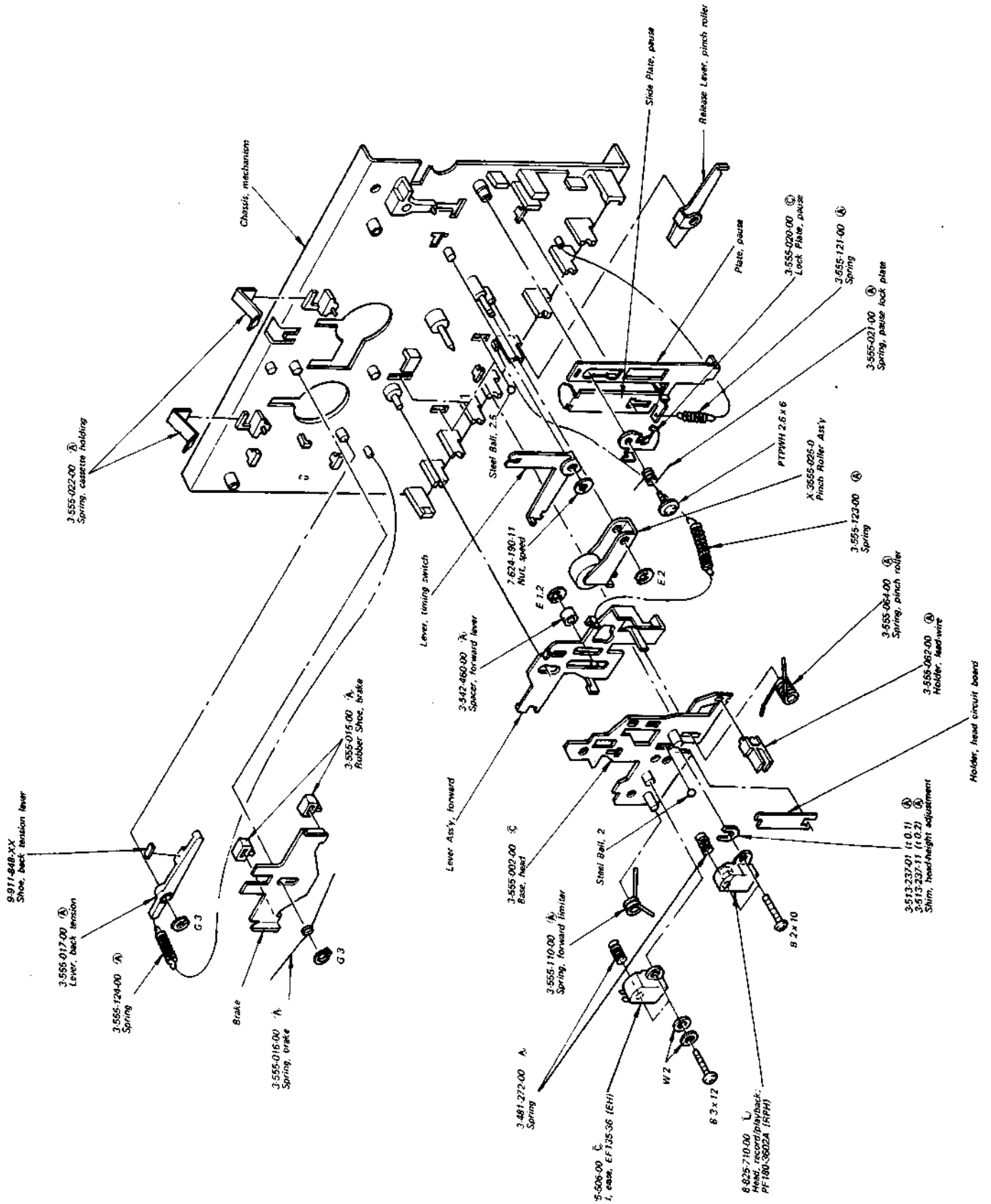


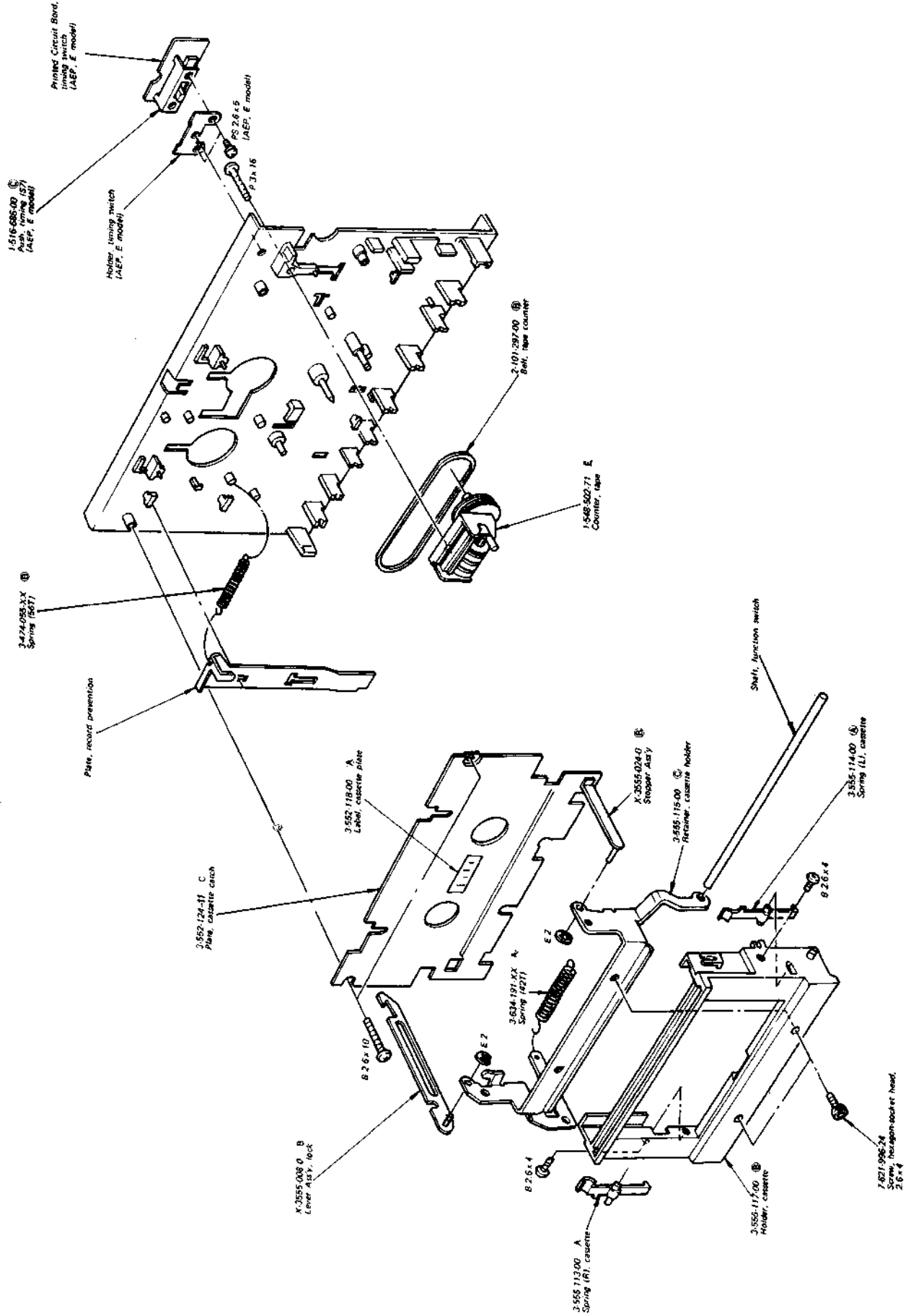


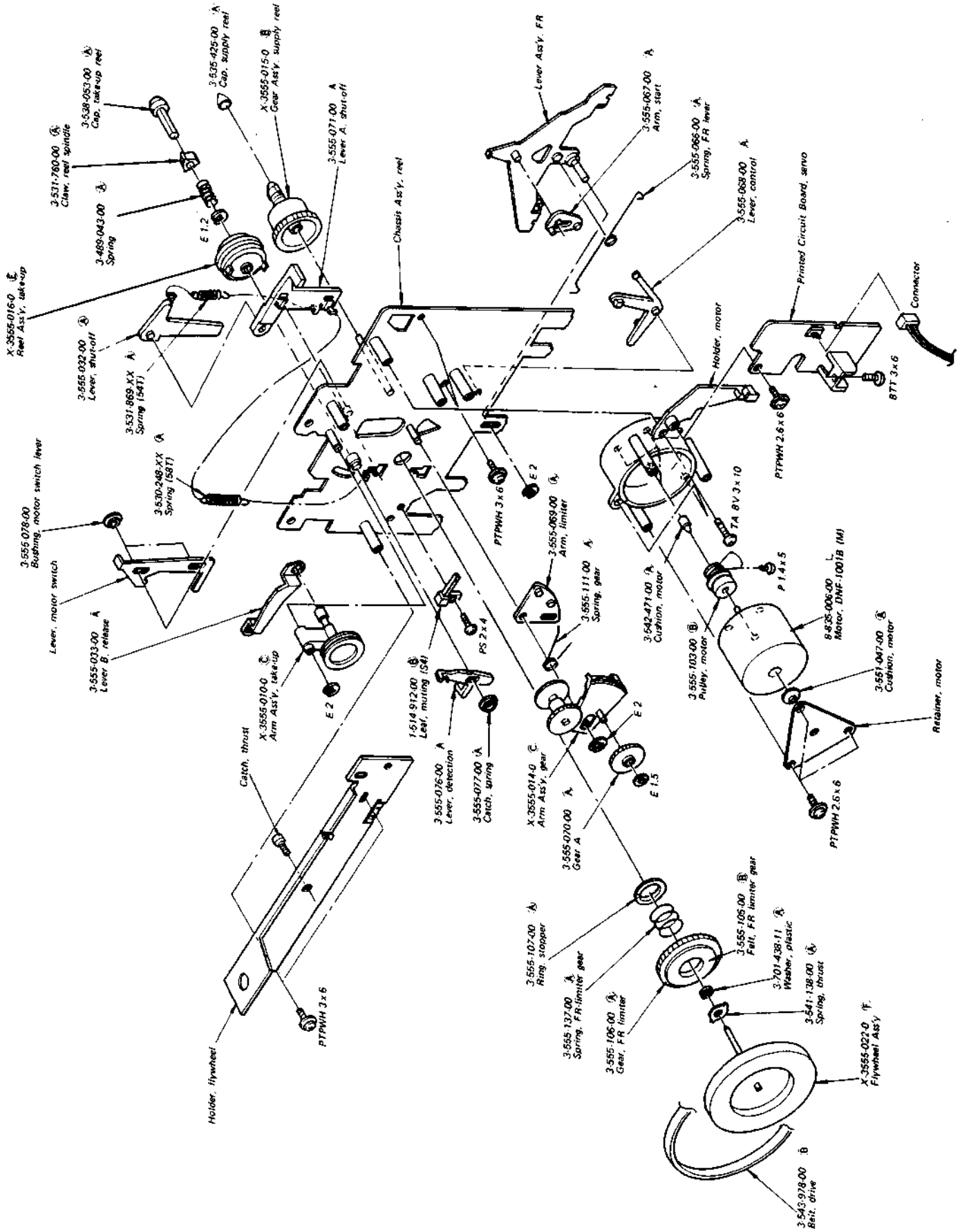


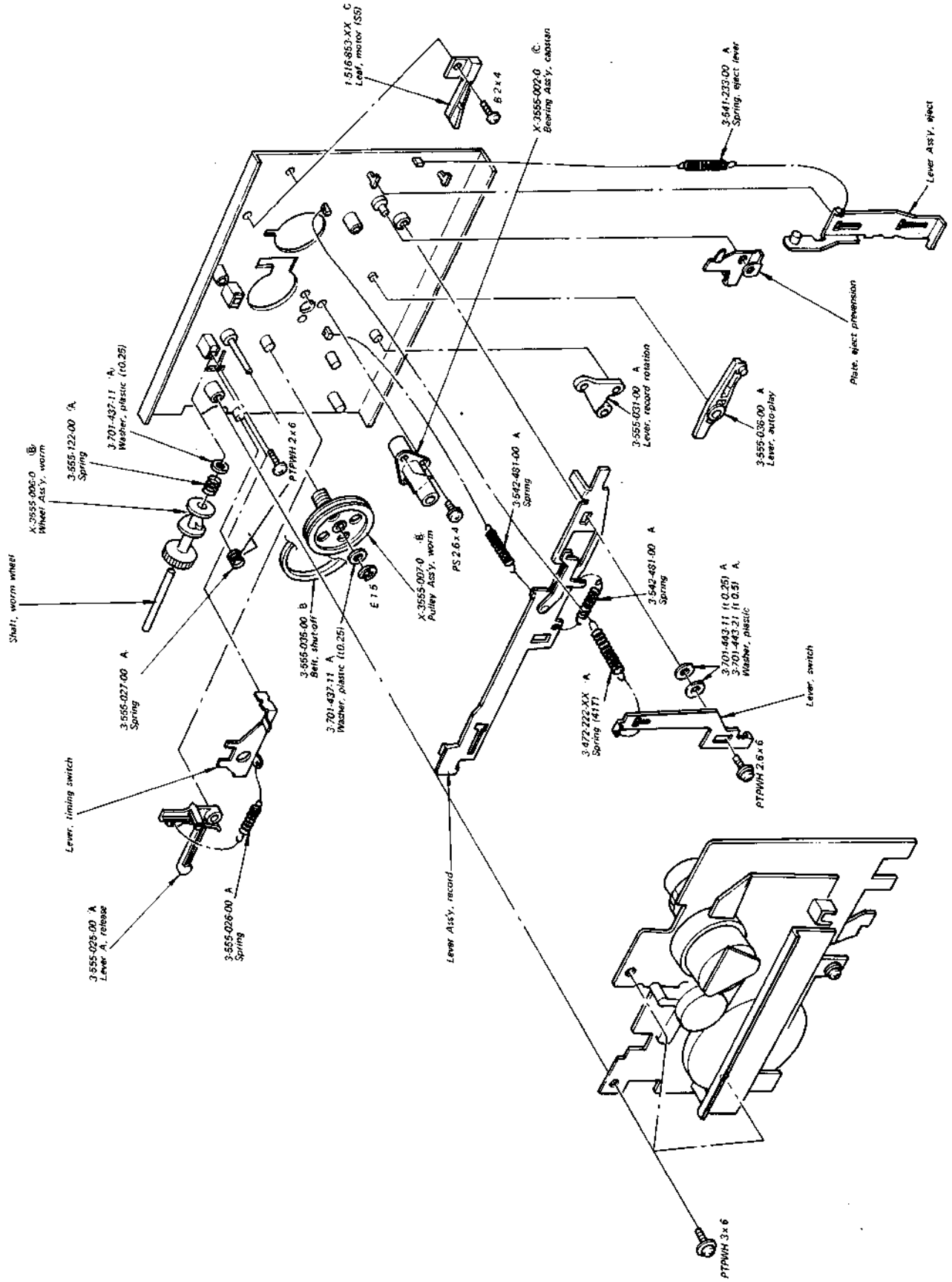












## ERSATZTEILE / ELECTRICAL PARTS LIST

POS. NR.	SACHNR.	TECHN. DATEN/ BEZEICHNUNG
REF. NO.	PART NO.	DESCRIPTION
<b>TRANSISTOREN / TRANSISTORS</b>		
Q101,201, Q102,202, Q104,204)		2SC1345
Q103,203		2SC1364
Q105-108		2SC1364
Q203		2SC1364
Q205-208		2SC1364
Q301		2SC1061
Q302-304		2SC1364
Q305		2SC1475
Q601,602		2SC1364
Q603		2SD414
<b>ICs / ICs</b>		
IC101, IC201, IC301)		µPC4558C
<b>DIODEN / DIODES</b>		
D101		1T22AM
D102-104		1S555
D201		1T22AM
D202-204		1S1555
D301,302		10E2
D303		EQB01-21
D304,305		10E2
D306,307		1S1555
D308		EQB01-06
D309		1S1555
D310		SEL103R
D311	1S1555	
D312		EQB01-06
D313		1S1555
D314		EQB01-11
<b>TRANSFORMATOREN / TRANSFORMERS</b>		
T301	1-446-191-00	POWER
T302	1-433-132-00	BIAS OSC
<b>KONDENSATOREN / CAPACITORS</b>		
Alle Werte, wenn nicht anders angegeben, in µF. Spannungen unter 50 V, ausgenommen bei Elkos, werden nicht angegeben.		All capacitors are in µF and ceramic unless otherwise noted. 50WV or less are not indicated except for electrolytics. pF = µµF, elect = electrolytic.
C101,201	1-162-323-11	0.001
C102,202	1-121-915-11	4.7 25 V ELECT (LOW NOISE)
C103,203	1-161-323-11	0.001
C106,206	1-121-916-11	10 16 V ELECT (LOW NOISE)
C107,207	1-121-916-11	10 16 V ELECT (LOW NOISE)
C108,208	1-121-416-11	100 25 V ELECT
C109,209	1-161-317-11	330 p
C110,210, C111,211)	1-161-272-11	120 p
C112,212	1-121-915-11	4.7 25 V ELECT (LOW NOISE)
C113,213	1-121-413-11	100 6.3 V ELECT
C114,214	1-123-050-11	2.2 50 V ELECT (LOW NOISE)
C115,215	1-121-409-11	47 16 V ELECT
C116,216	1-161-267-11	47 p
C117,217	1-121-414-11	100 10 V ELECT
C118,218	1-121-450-11	2.2 50 V ELECT

POS. NR.	SACHNR.	TECHN. DATEN/ BEZEICHNUNG
REF. NO.	PART NO.	DESCRIPTION
C119,219	1-121-395-11	4.7 25 V ELECT
C120,220	1-161-257-11	6.8 p
C121,221, C122,222)	1-102-106-11	100 p
C123,223	1-102-110-11	220 p
c124,224	1-108-809-12	0.027 MYLAR
C125,225	1-102-124-11	0.0039
C126,226	1-121-912-11	1 50 V ELECT
C127,227	1-161-320-11	560 p
C128,128	1-121-395-11	4.7 25 V ELECT
C129,229	1-121-651-11	10 16 V ELECT
C130,230	1-121-651-11	10 16 V ELECT
C131,231	1-108-808-12	0.022 50 V MYLAR
C132,232	1-121-651-11	10 16 V ELECT (LOW NOISE)
C133,233	1-108-805-12	0.012 5% MYLAR
C134,234	1-108-804-12	0.01 5% MYLAR
C135,235	1-108-813-11	0.056 5% MYLAR
C136,236	1-108-801-11	0.0056 5% MYLAR
C137,237	1-161-257-11	6.8 p
C138,238	1-121-651-11	10 16 V ELECT
C139,239	1-102-123-11	0.0033 10%
C140,240	1-121-986-11	2.2 20% 50 V ELECT
C141,241	1-121-953-11	3.3 20% 50 V ELECT
C142,242	1-102-125-11	0.0047
C143,243	1-107-168-11	500 V MICA
C144,244	1-102-106-11	100 p
C145,245	1-141-034-11	120 p TRIMMER
C146,246	1-108-809-11	0.027 MYLAR
C147,247	1-161-315-11	220 p
C148,248	1-161-320-11	560 p
C149,249	1-121-651-11	10 16 V ELECT
C150,250	1-108-808-11	0.022 MYLAR
C152,252	1-161-323-11	0.001
C153,253	1-161-323-11	0.001
C154,254	1-107-015-11	47 p
C155,255	1-102-123-11	0.0033
C301	1-121-388-11	1,000 50 V ELECT
C302	1-121-733-11	470 25 V ELECT
C303	1-121-414-11	100 10 V ELECT
C304	1-121-422-11	220 25 V ELECT
C305	1-121-420-11	220 10 V ELECT
C306	1-121-939-11	470 16 V ELECT
C307	1-121-479-11	22 16 V ELECT
C308	1-121-352-11	47 10 V ELECT
C309	1-121-395-11	4.7 25 V ELECT
C310	1-131-216-11	1.5 35 V TANTALUM
C311	1-129-701-11	0.01 5% 100 V
C312	1-108-807-11	0.018 5% 100 V
C313	1-129-710-11	0.0047 630 V PLASTIC
C314	1-115-148-11	0.01 450 V OIL

### WIDERSTÄNDE / RESISTORS

R312	1-246-453-11	150 ¼W CARBON
RV101	1-226-344-00	VARIABLE, 2-GANG; 20 k/20 k; REC LEVEL
RV102,202	1-224-641-XX	ADJUSTABLE, 470
RV103,203	1-224-644-XX	ADJUSTABLE, 4.7 k



POS. NR.	SACHNR.	TECHN. DATEN/ BEZEICHNUNG
REF. NO.	PART NO.	DESCRIPTION

**SCHALTER / SWITCHES**

S1	1-516-263-00	SLIDE, RECORD/PLAYBACK
S2	1-552-367-00	LEVER-SLIDE, DOLBY NR
S3	1-552-366-00	LEVER-SLIDE, TAPE SELECT
S4	1-514-912-00	LEAF, MUTING
S5	1-516-686-00	PUSH, TIMING
S6	1-552-206-11	PUSH, POWER
S7	1-516-853-XX	LEAF, MOTOR
S8	1-514-912-00	LEAF, MOTOR

**ANSCHLUSSSTECKER / CONNECTORS**

CNJ1	1-536-501-21	JACK, PHONO/DIN; LINE IN, LINE OUT, REC/PB
CNJ2-3	1-507-554-21	JACK, MIC
CNJ4	1-507-553-00	JACK, BINAURAL; HEADPHONES
CNJ6	1-509-546-00	CONNECTOR, 3-p; AC IN

POS. NR.	SACHNR.	TECHN. DATEN/ BEZEICHNUNG
REF. NO.	PART NO.	DESCRIPTION

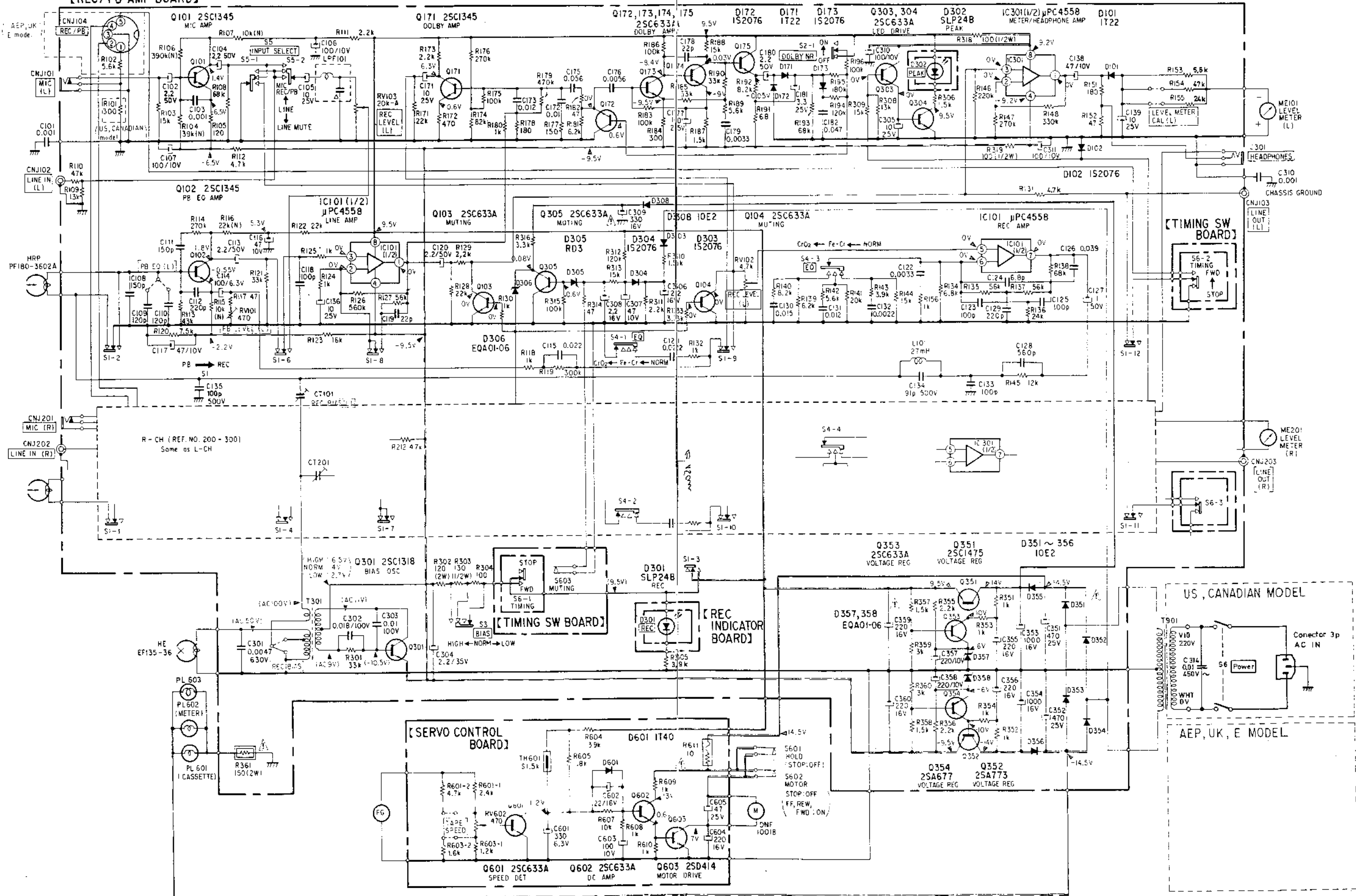
**SONSTIGES / MISCELLANEOUS**

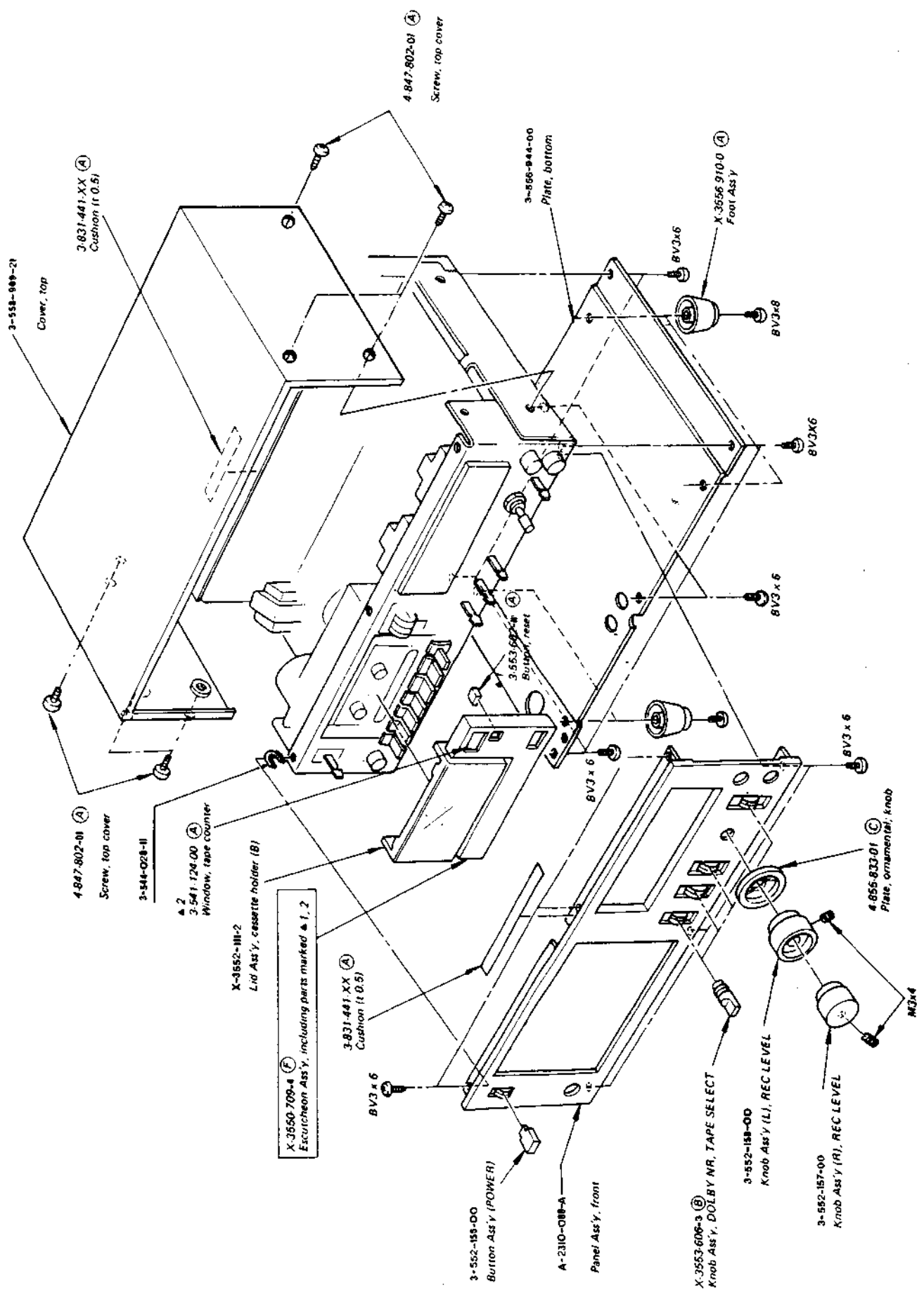
EH	8-825-506-00	HEAD, ERASE; EF 135-36
FL101,201	1-231-372-00	FILTER,LOW-PASS
L101,201	1-407-211-XX	COIL, MINIATURE; 27 mH
M	8-835-006-00	MOTOR, DNF-1001B
ME101,201	1-520-373-11	METER, VU
	1-520-373-21	
PL1,2	1-518-309-00	LAMP, VU METER
RPH	8-825-710-00	HEAD, RECORD/PLAYBACK; PF180-3602A

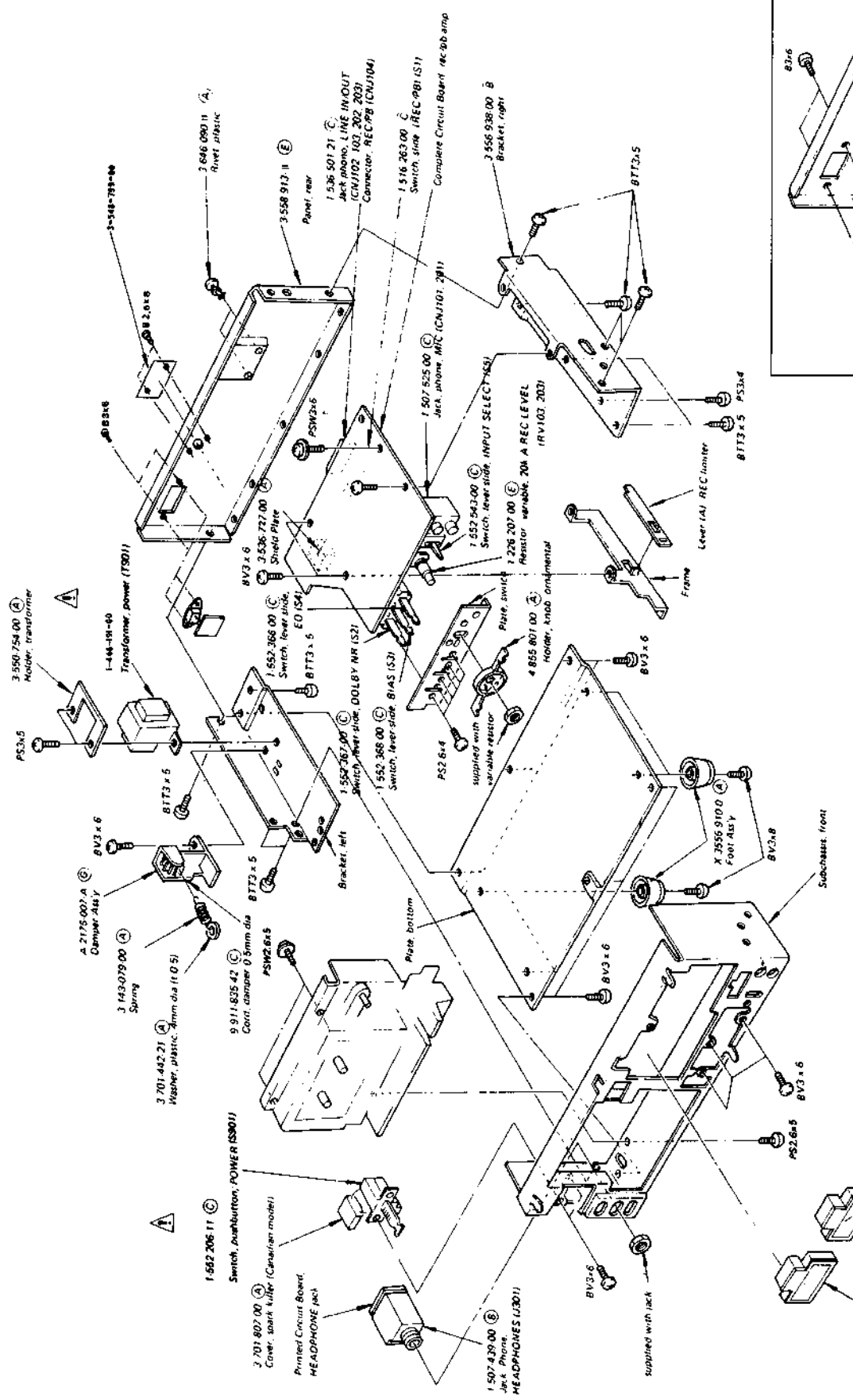
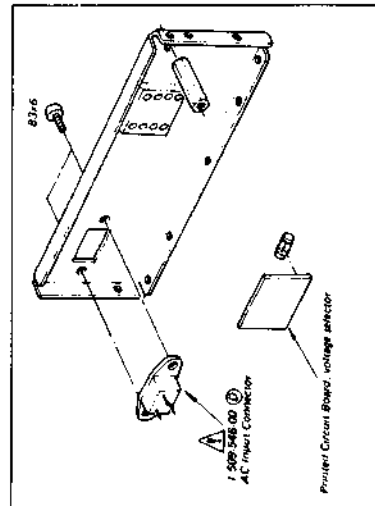
**ZUBEHÖR UND VERPACKUNGSMATERIAL /  
ACCESSORIES & PACKING MATERIALS**

1-534-049-31	CORD, CONNECTION; RK-74H
3-552-163-00	CARTON
3-552-150-00	BAG, PLASTIC
3-701-630-00	BAG, PLASTIC
3-794-060-11	CARD, VOLTAGE SELECTION

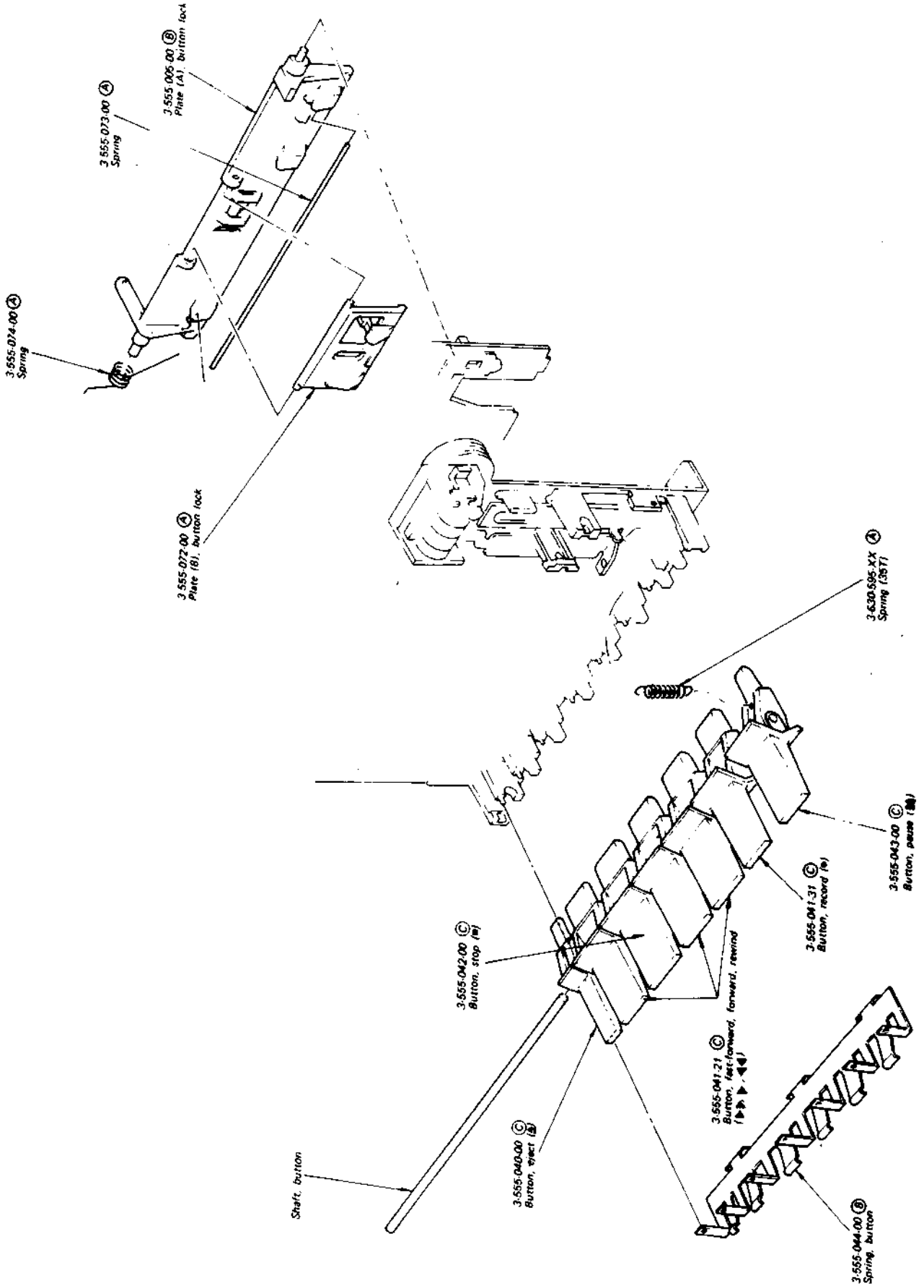
[REC/PB AMP BOARD]

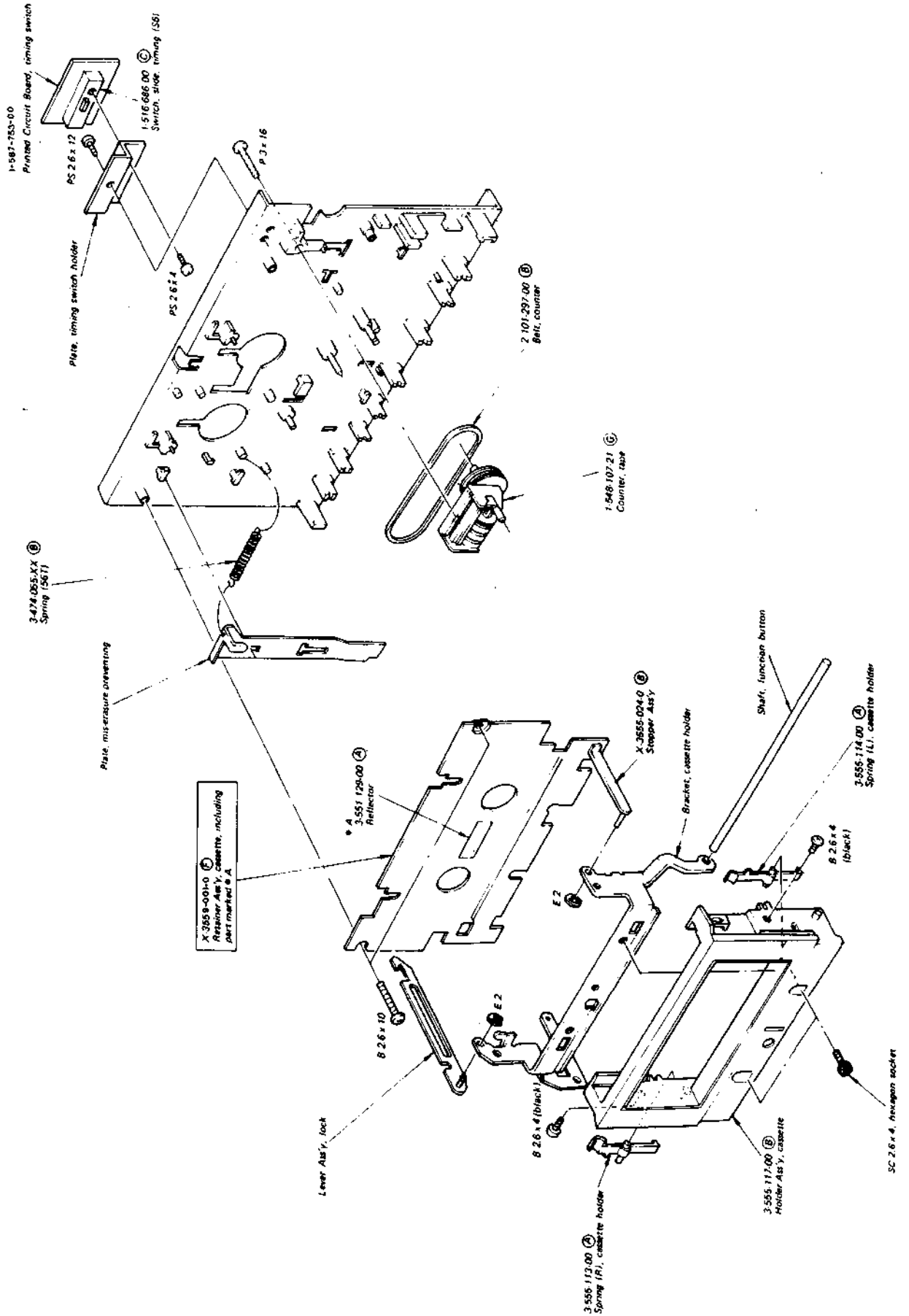


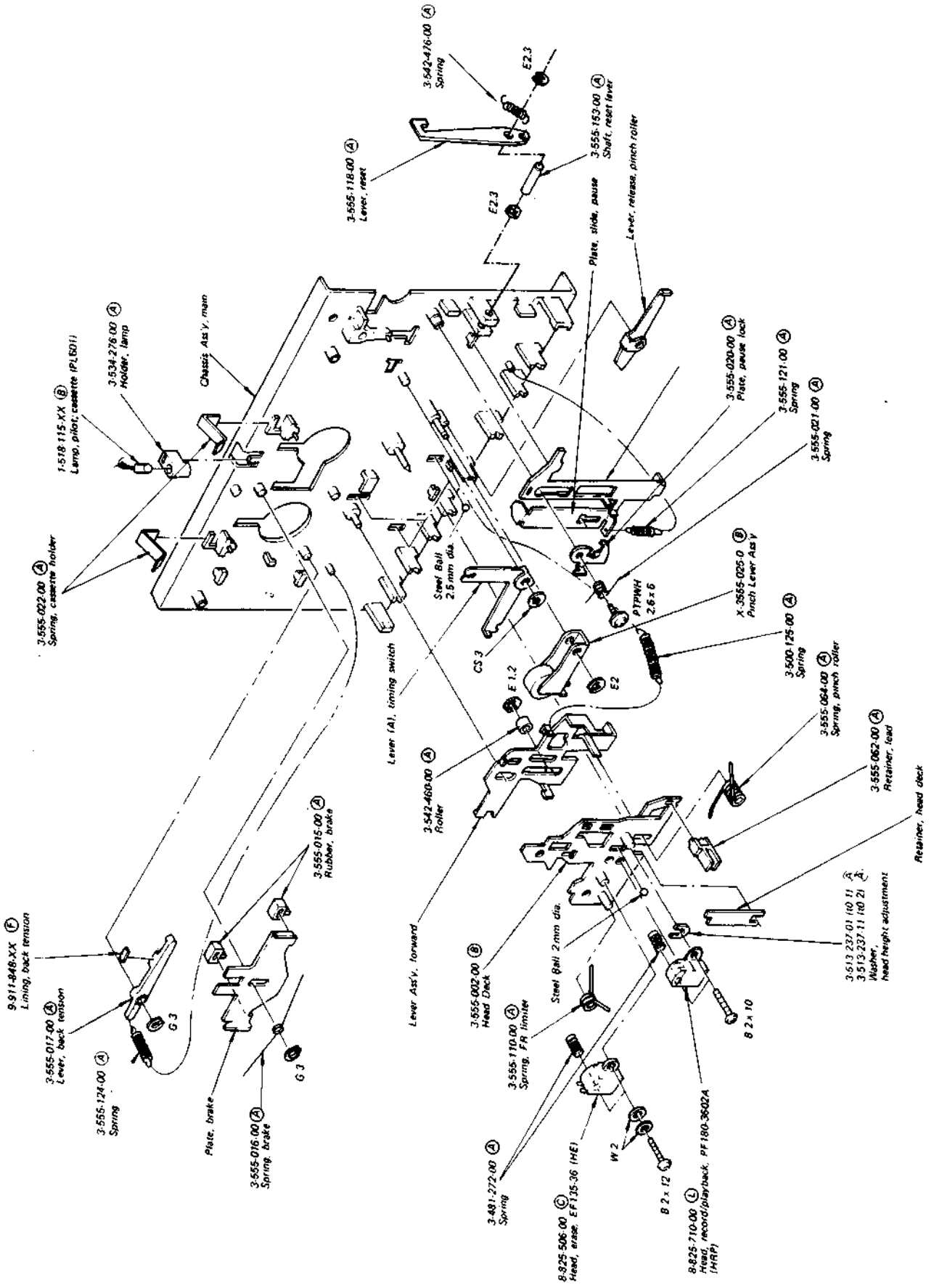


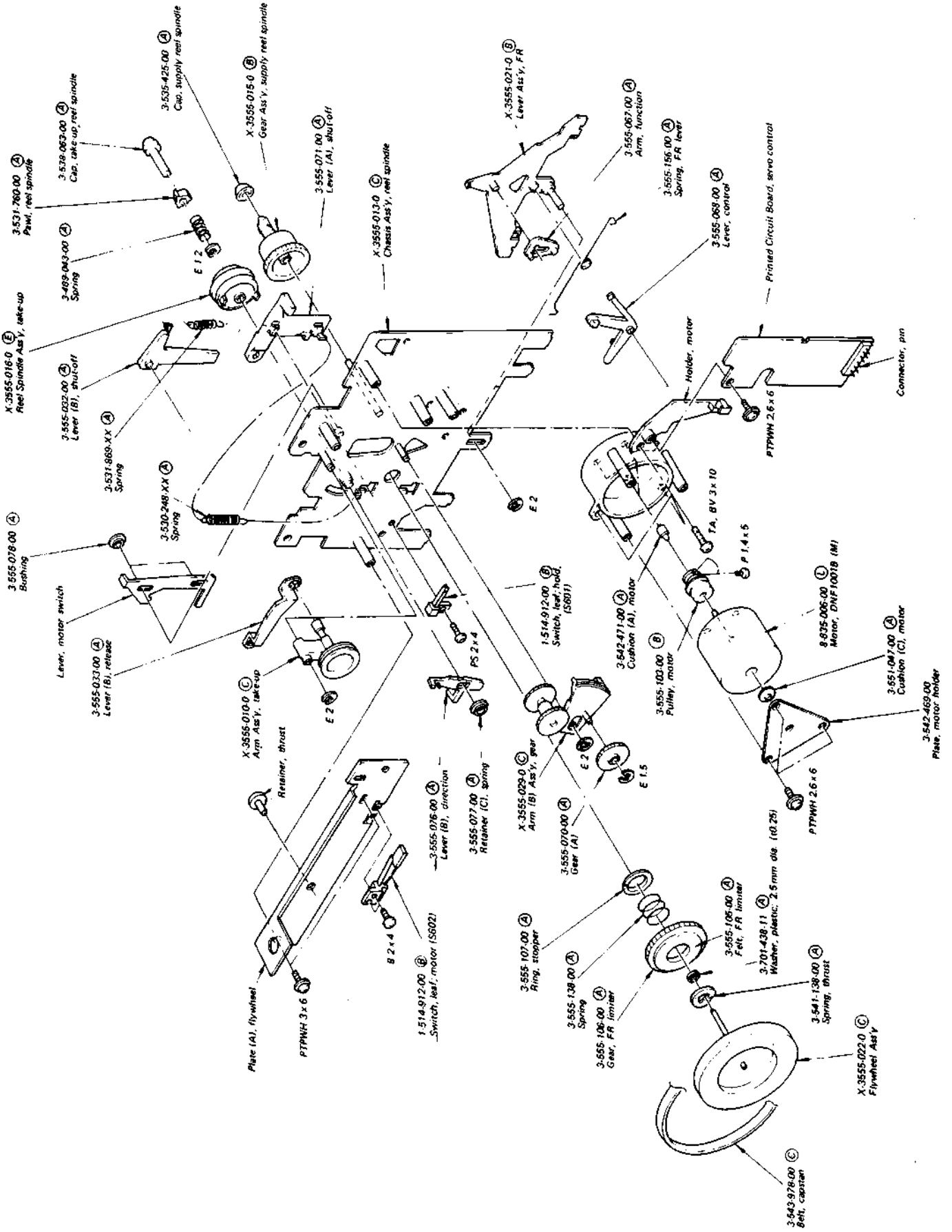


Meter level (ME101 201)  
1-550-379-1 (G)  
" - 21 (R)

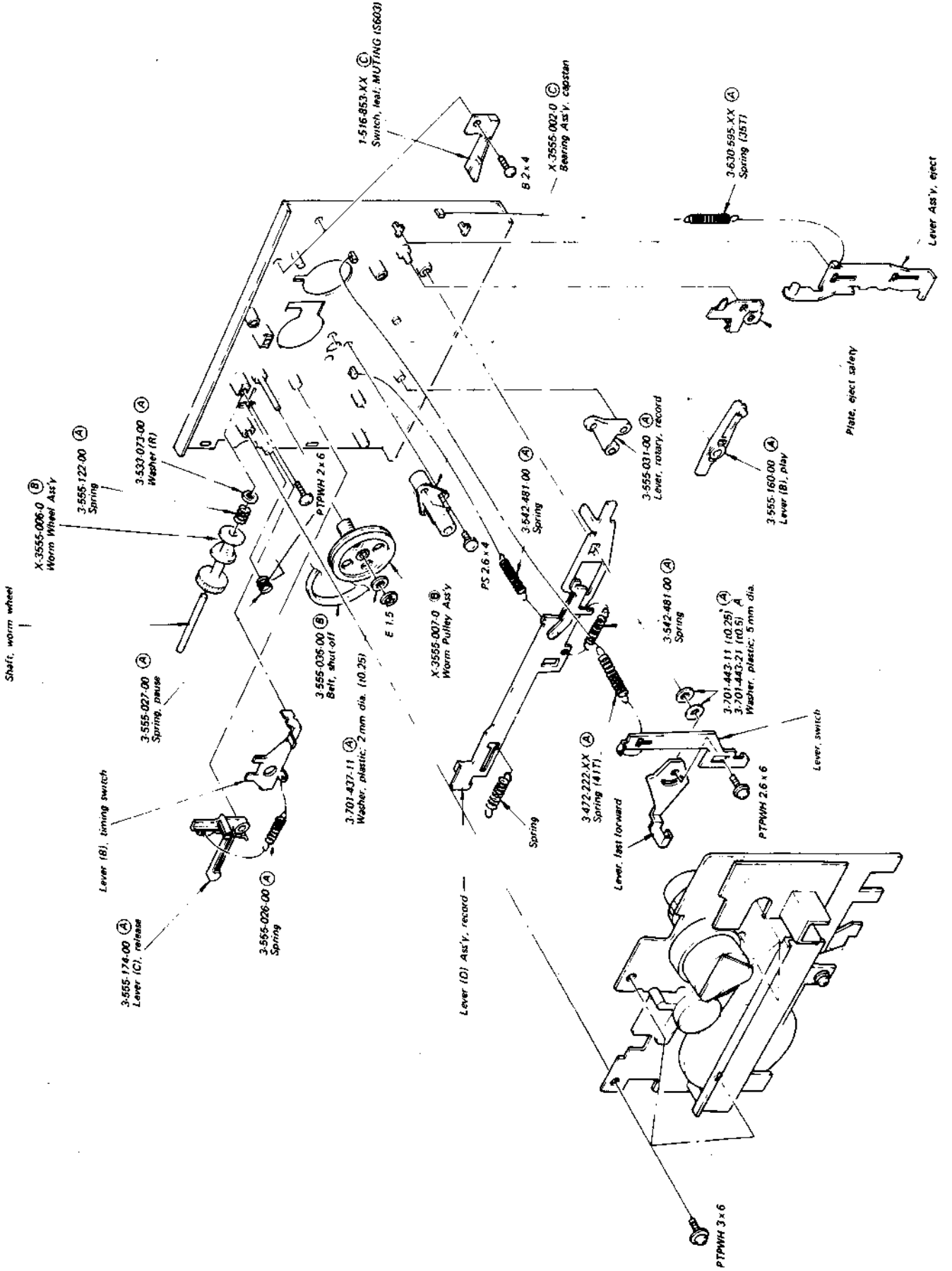












**ERSATZTEILE / ELECTRICAL PARTS LIST**

POS. NR.	SACHNR.	TECHN. DATEN/ BEZEICHNUNG
REF. NO.	PART NO.	DESCRIPTION

**TRANSISTOREN / TRANSISTORS**

Q <sub>101,201</sub>		
Q <sub>102,202</sub>	8-729-334-58	2SC1345
Q <sub>103,203</sub>		
Q <sub>104,204</sub>	8-729-663-47	2SC1364
Q <sub>171,271</sub>	8-729-334-58	2SC1345
Q <sub>172~175</sub>		
Q <sub>272~275</sub>	8-729-663-47	2SC1364
Q301	8-760-413-10	2SC1475
Q303-305	8-729-663-47	2SC1364
Q351	8-760-413-10	2SC1475
Q352	8-829-468-43	2SA684
Q353	8-729-663-47	2SC1364
Q354	8-727-786-01	2SA678
Q601,602	8-729-663-47	2SC1364
Q603	8-729-141-43	2SD414

**ICs**

IC <sub>101,201</sub>		
IC <sub>301</sub>	8-759-145-58	µPC4558

**DIODEN / DIODES**

D101,201	8-719-422-21	1T22AM
S102,202	8-719-815-55	1S1555
D171,271	8-719-422-21	1T22AM
D <sub>172,272</sub>		
D <sub>173,273</sub>	8-719-815-55	1S1555
D301,302	8-719-900-24	SLP24B
D303,304	8-719-815-55	1S1555
D305	8-719-133-00	RD3A
D306	8-719-931-06	EQB01-06
D308	8-719-200-02	10E2
D351~354	8-719-200-02	10E2
D355,356	8-719-200-02	10E2
D357,358	8-719-931-06	EQB01-06
D601	8-719-815-55	1S1555

**THERMISTOR**

Th601	1-800-200-11	S-1.5k
-------	--------------	--------

**SPULEN / COIL**

L101,201	1-407-211-XX	27 mH, MICROINDUCTOR
----------	--------------	----------------------

**TRANSFORMATOREN / TRANSFORMERS**

T301	1-433-132-00	BIAS OSCILLATOR
T901	1-446-190-00	POWER

**KONDENSATOREN / CAPACITORS**

Alle Werte, wenn nicht anders angegeben, in µF. Spannungen unter 50 V, ausgenommen bei Elkos, werden nicht angegeben.

All capacitors are in µF and ceramic unless otherwise noted. 50WV or less are not indicated except for electrolytic and tantalum. pF: µF, elect: electrolytic.

C101,201	1-161-323-11	0.001
C102,202	1-121-450-11	2.2 50 V ELECT
C103,203	1-161-323-11	0.001
C104,204	1-121-450-11	2.2 50 V ELECT
C105,205	1-121-398-11	10 25 V ELECT
C <sub>106,206</sub>		
C <sub>107,207</sub>	1-121-414-11	100 10 V ELECT
C108,208	1-161-313-11	150 p
C <sub>109,209</sub>		
C <sub>110,210</sub>	1-161-272-11	120 p

POS. NR.	SACHNR.	TECHN. DATEN/ BEZEICHNUNG
REF. NO.	PART NO.	DESCRIPTION

C111,211	1-161-313-11	150 p
C112,212	1-161-315-11	220 p
C113,213	1-123-050-11	2.2 50 V ELECT
C114,214	1-121-413-11	100 6.3 V ELECT
C115,215	1-108-587-12	0.022 MYLAR
C <sub>116,216</sub>		
C <sub>117,217</sub>	1-121-352-11	47 10 V ELECT
C118,218	1-161-271-11	100 p
C119,219	1-161-263-11	22 p
C120,220	1-121-450-11	2.2 50 V ELECT
C121,221	1-108-587-12	0.022 MYLAR
C122,222	1-161-327-11	0.0033
C123,223	1-161-271-11	100 p
C124,224	1-161-257-11	6.8 p
C125,225	1-161-271-11	100 p
C126,226	1-108-593-12	0.039 MYLAR
C127,227	1-121-391-11	1 50 V ELECT
C128,228	1-161-320-11	580 p
C129,229	1-161-315-11	220 p
C130,230	1-108-583-12	0.015 MYLAR
C131,231	1-108-581-12	0.012 MYLAR
C132,232	1-108-563-12	0.0022 MYLAR
C133,233	1-161-271-11	100 p
C134,234	1-107-168-11	91 p 500 V SILVERED MICA
C135,235	1-107-169-11	100 p 500 V SILVERED MICA
C136,236	1-121-398-11	10 25 V ELECT
C138,238	1-121-352-11	47 10 V ELECT
C139,239	1-121-398-11	10 25 V ELECT
C171,271	1-121-398-11	10 25 V ELECT
C172,272	1-108-579-12	0.01 MYLAR
C173,273	1-108-561-12	0.012 MYLAR
C175,275	1-108-597-12	0.056 MYLAR
C176,276	1-108-573-12	0.0056 MYLAR
C177,277	1-121-398-11	10 25 V ELECT
C178,278	1-161-263-11	22 p
C179,279	1-108-567-12	0.0033 MYLAR
C180,280	1-121-986-11	2.2 50 V ELECT
C181,281	1-121960-11	3.3 25 V ELECT
C182,282	1-108-595-12	0.047 MYLAR
C301	1-129-710-11	0.0047 630 V POLYETHYLENE
C302	1-106-202-12	0.018 100 V MYLAR
C303	1-129-701-11	0.01 100 V POLYETHYLENE
C304	1-121-450-11	2.2 50 V ELECT
C305	1-121-398-11	10 25 V ELECT
C306	1-121-479-11	22 16 V ELECT
C307	1-121-352-11	47 10 V ELECT
C308	1-121-479-11	22 16 V ELECT
C309	1-121-521-11	330 16 V ELECT
C310	1-161-323-11	0.001
C311	1-21-414-11	100 10 V ELECT
C351,352	1-123-336-11	470 25 V ELECT
C353,354	1-123-324811	1000 16 V ELECT
C355,356	1-123-321-11	220 16 V ELECT
C357,358	1-123-308-11	220 10 V ELECT
C359,360	1-123-321-11	220 16 V ELECT
CT101,201	1-141-010-XX	120 p TRIMMER

**WIDERSTÄNDE / RESISTORS**

R302	1-217-225-11	120 2W WIREWOUND
R303	1-244-852-11	130 1/2W
R318,319	1-244-849-11	100 1/2W
R361	1-206-644-11	150 2W METAL OXIDE (NONFLAMMABLE)
R611	1-217-387-11	10 1/4W FUSIBLE
RV101,201	1-224-641-XX	470-B, ADJUSTABLE; PB LEVEL
RV102,202	1-224-644-XX	4.7k-B, ADJUSTABLE; REC LEVEL
RV103,203	1-226-207-00	20 k-A, VARIABLE; REC-L
RV602	1-224-630-00	470-B, ADJUSTABLE; TAPE-SP.

POS. NR.	SACHNR.	TECHN. DATEN/ BEZEICHNUNG
REF. NO.	PART NO.	DESCRIPTION

**SCHALTER / SWITCHES**

S1	1-516-263-00	SLIDE, RED/PB
S2	1-552-367-00	LEVER-SLIDE, DOLBY NR
S3	1-552-368-00	LEVER-SLIDE, BIAS
S4	1-552-366-00	LEVER-SLIDE, EQ
S5	1-552-543-00	LEVER-SLIDE, INPUT SELECT
S6	1-516-686-00	SLIDE, TIMING
S601,602	1-514-912-00	LEAF, HOLD, MOTOR
S603	1-516-853-XX	LEAF, MUTING

**ANSCHLÜSSE / JACKS**

J301	1-507-439-00	PHONE, HEADPHONES
CNJ101,201	1-507-525-00	PHONE, MIC
CNJ102,202		PHONO, LINE IN/OUT
CNJ103,203	1-536-501-21	CONNECTOR, REC/PB
CNJ104		

POS. NR.	SACHNR.	TECHN. DATEN/ BEZEICHNUNG
REF. NO.	PART NO.	DESCRIPTION

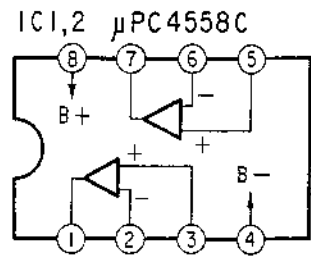
**SONSTIGES / MISCELLANEOUS**

LPF101,201	1-231-372-00	FILTER, LOWPASS
HE	8-825-506-00	HEAD, ERASE; EF 135-36
HRP	8-825-710-00	HEAD, REC/PB; PF 180-3602A
M	8-835-006-00	MOTOR DNF-1001B
ME101,201	1-520-373-11	METER, LEVEL
	1-520-373-21	
PL601	1-518-115-XX	LAMP, 8V / 50 mA CASSETTE
PL602	1-518-340-71	LAMP, 8V / 300 mA METER
	1-509-546-00	AC INPUT CONNECTOR
	1-548-107-21	COUNTER, TAPE

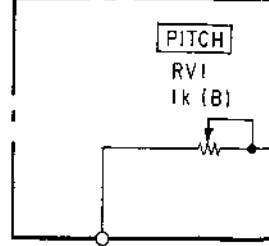
**ZUBEHÖR UND VERPACKUNGSMATERIAL /  
ACCESSORIES & PACKING MATERIALS**

1-534-049-31	CORD, CONNECTION RK-74H
3-550-769-00	CARTON
3-552-147-00	CUSHION (A)
3-552-148-00	CUSHION (B)

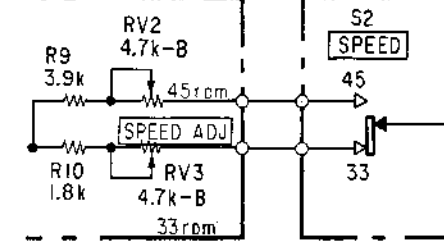




**[VOLUME BOARD]**



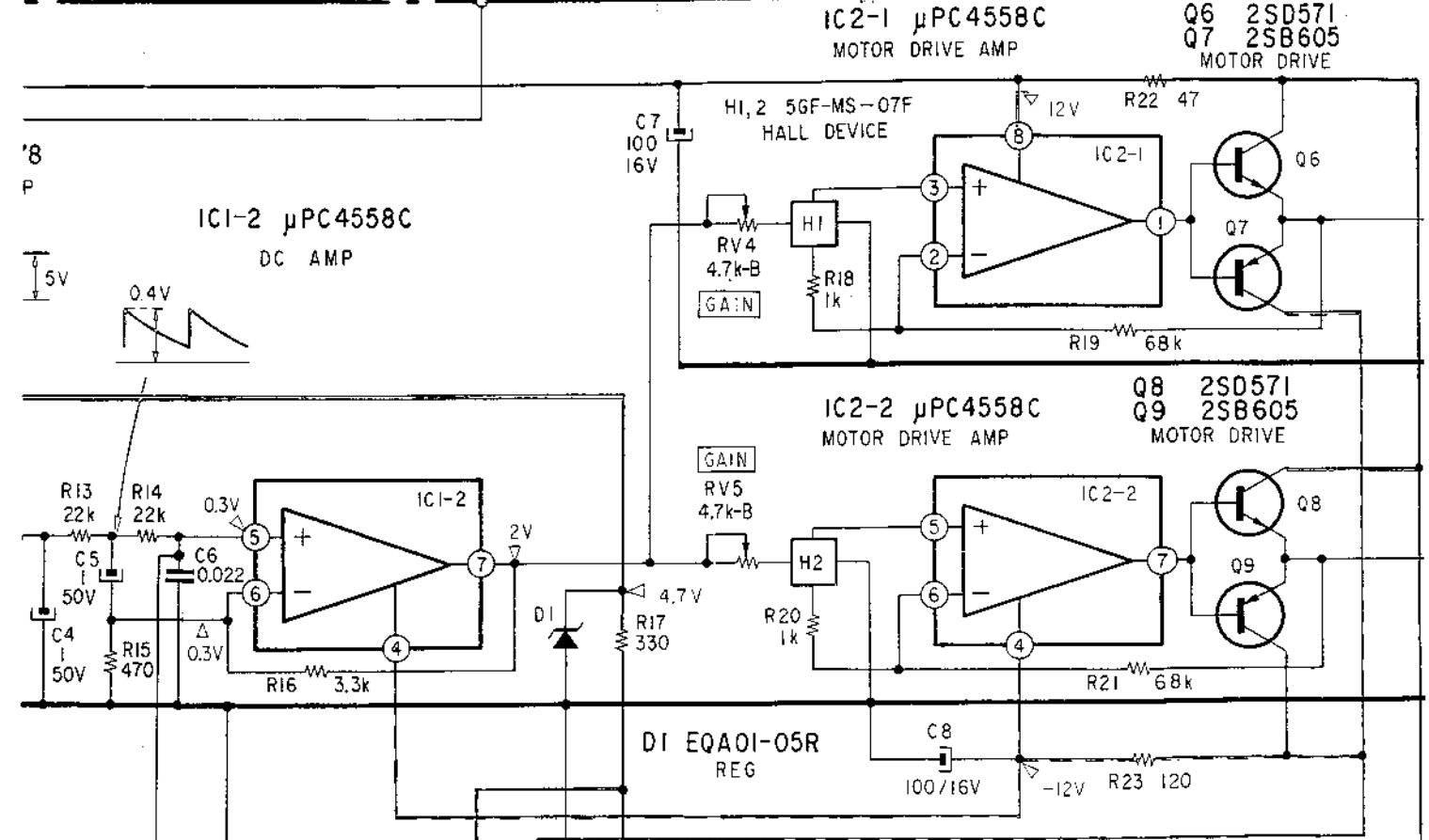
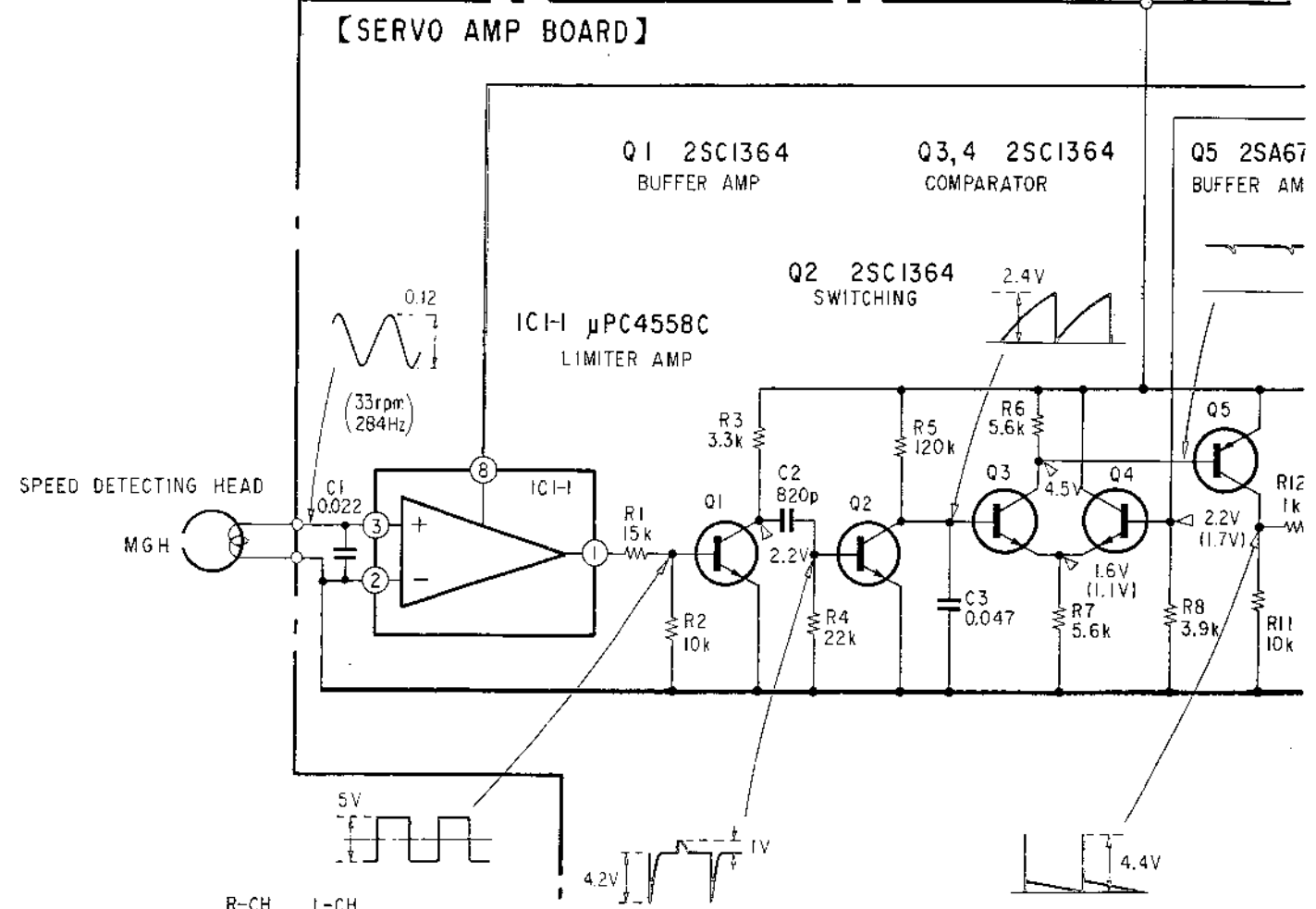
**[SPEED SWITCH BOARD]**



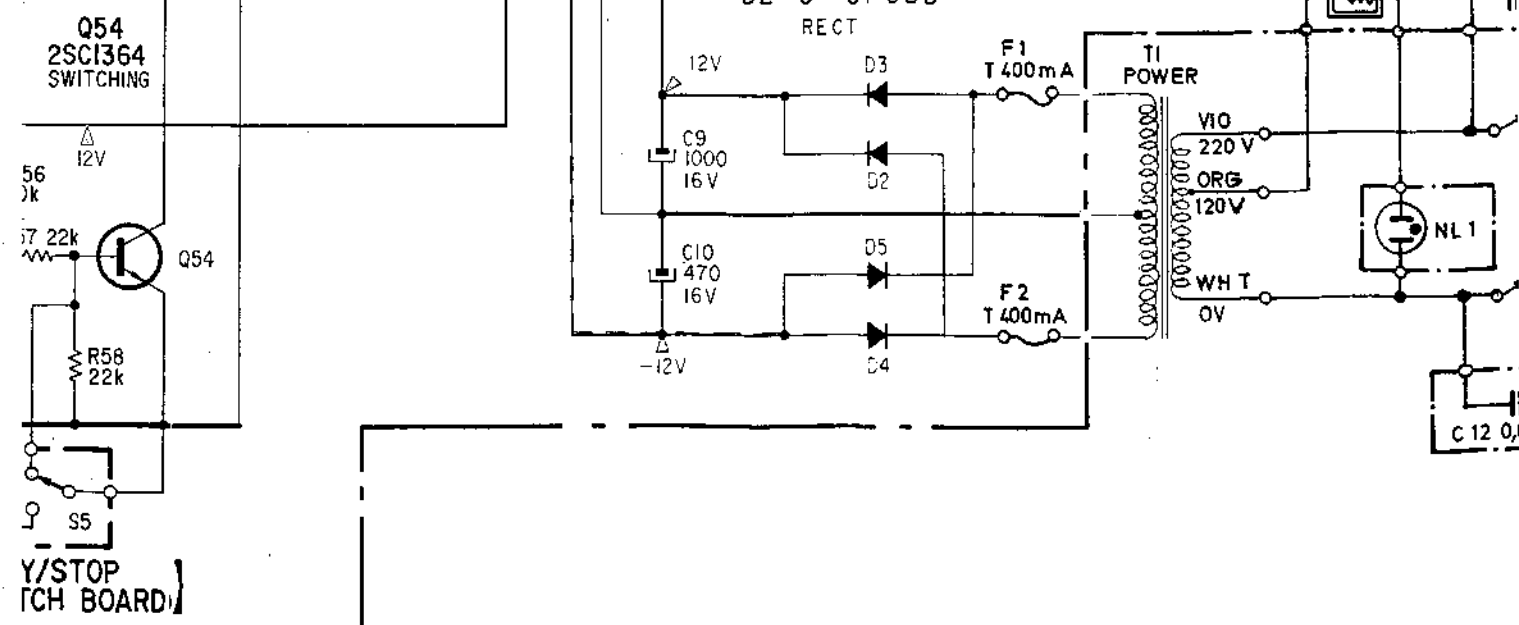
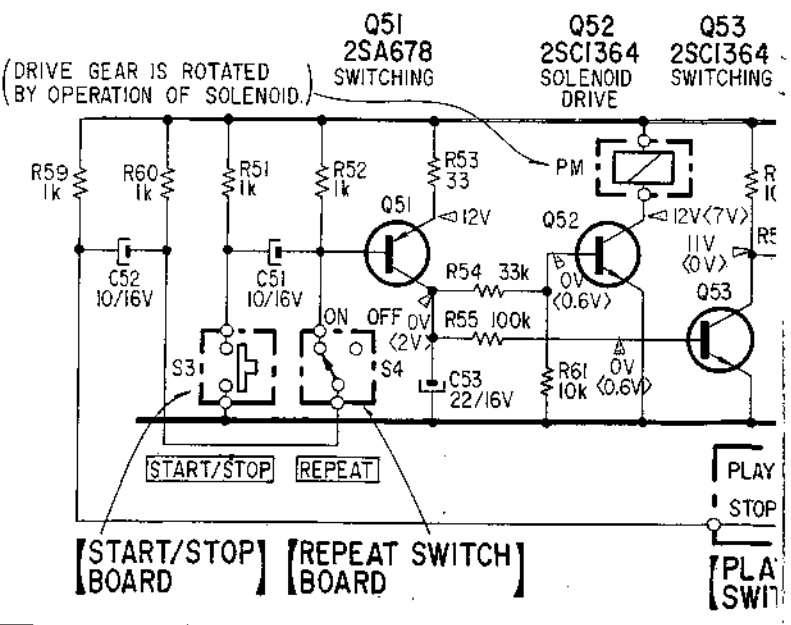
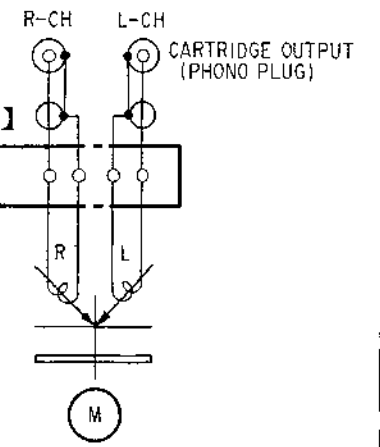
SWITCH

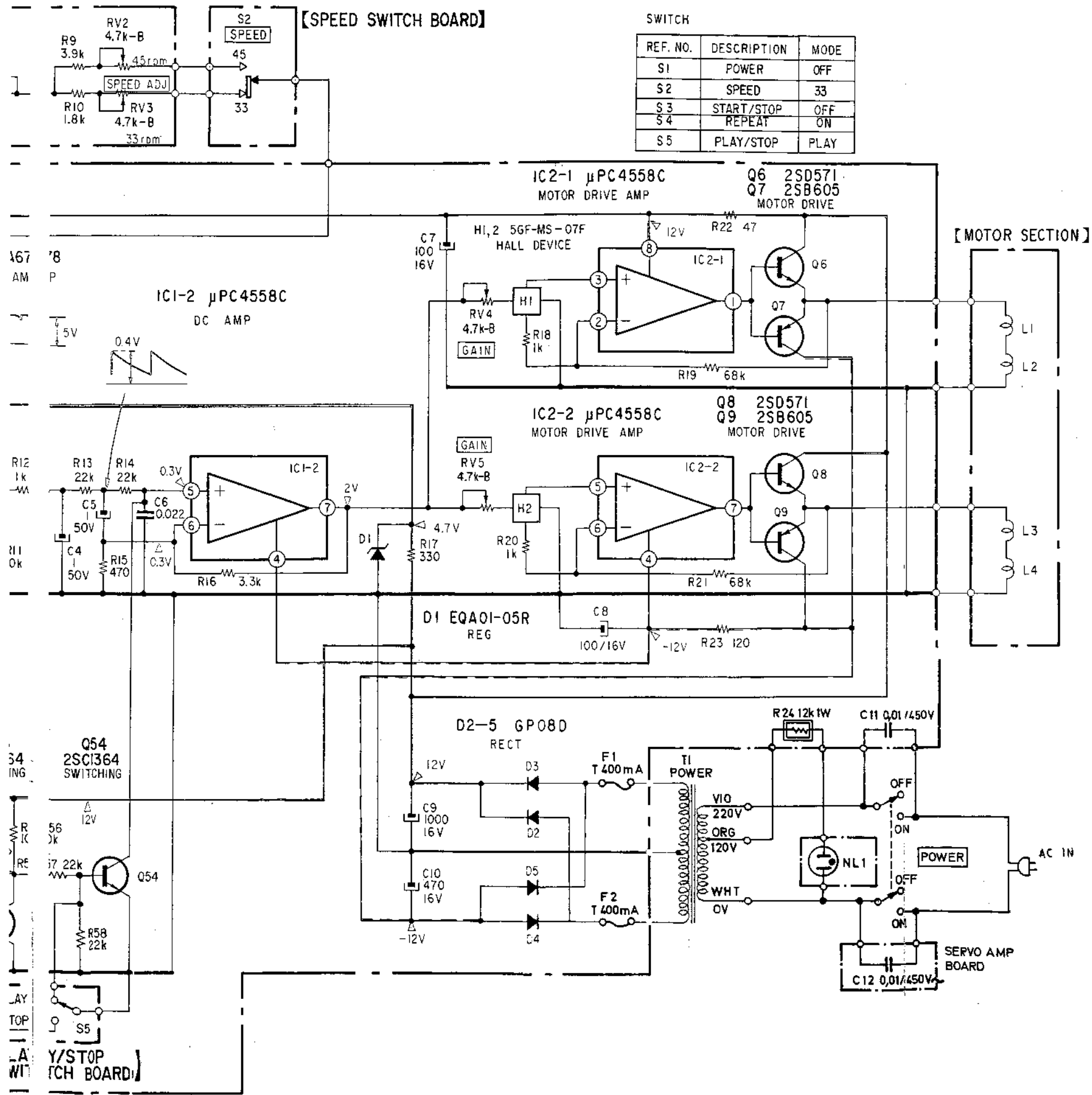
REF. NO.	DESCRIPTION	MODE
S1	POWER	OFF
S2	SPEED	33
S3	START/STOP	OFF
S4	REPEAT	ON
S5	PLAY/STOP	PLAY

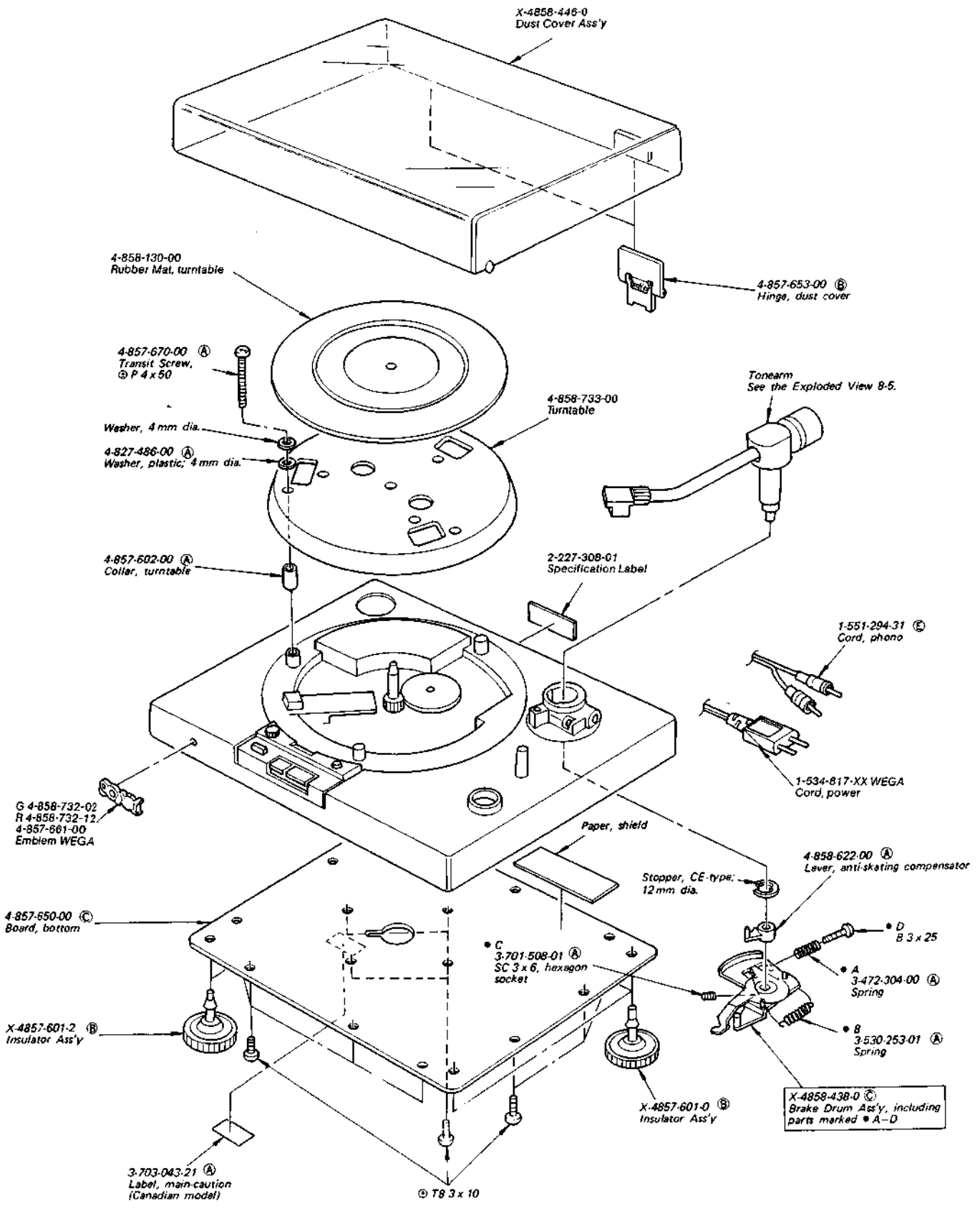
**[SERVO AMP BOARD]**

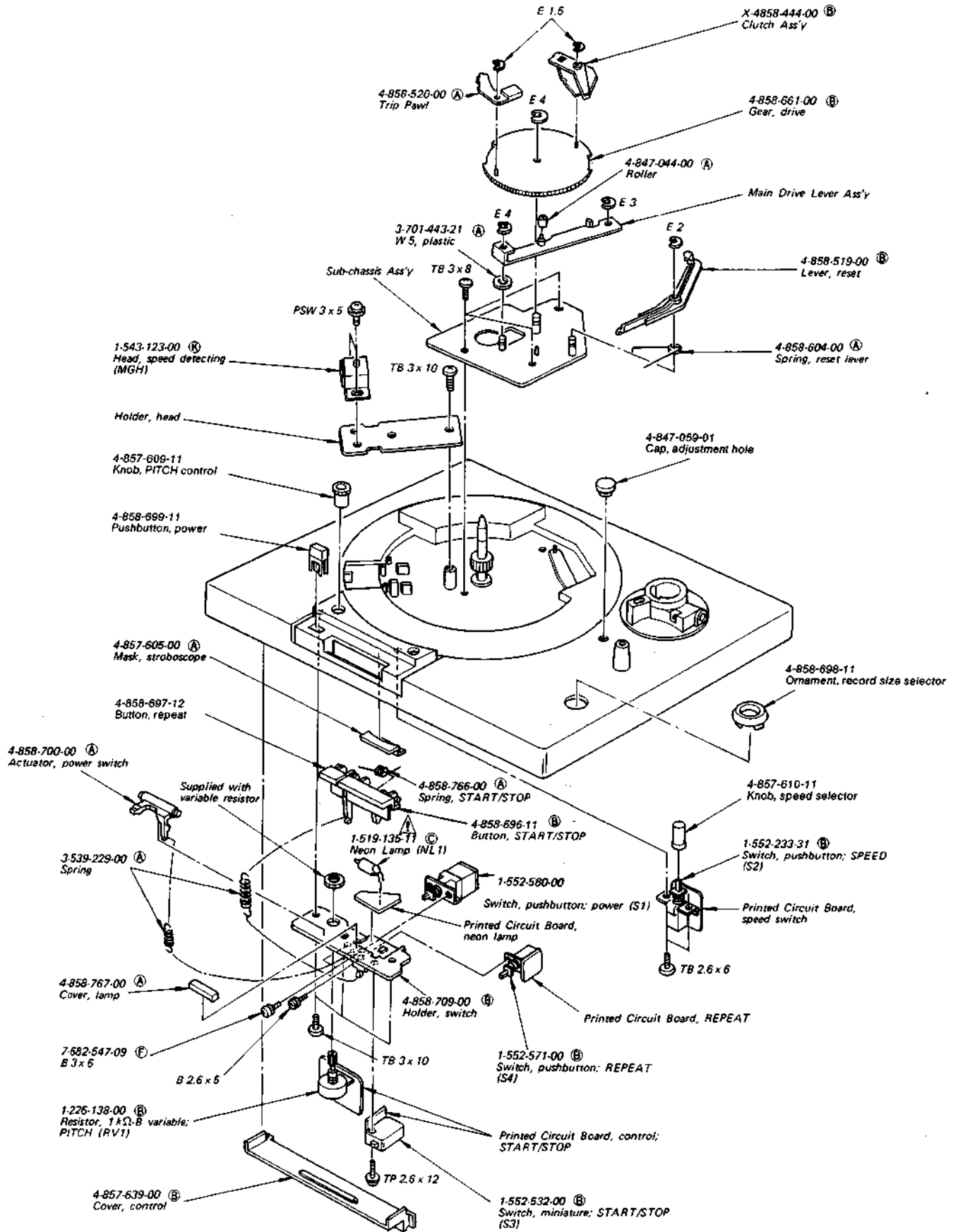


**[PHONO BOARD]**

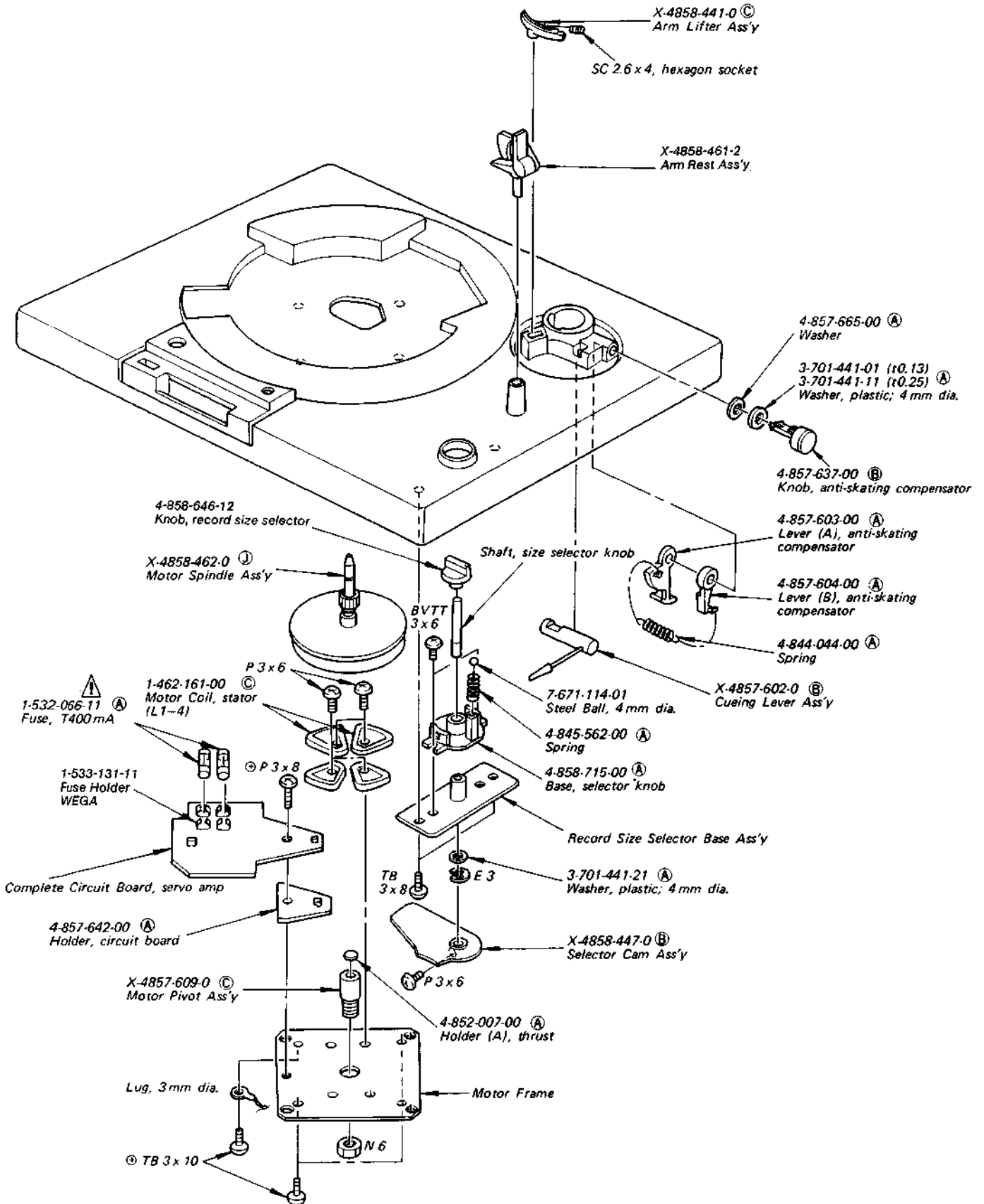


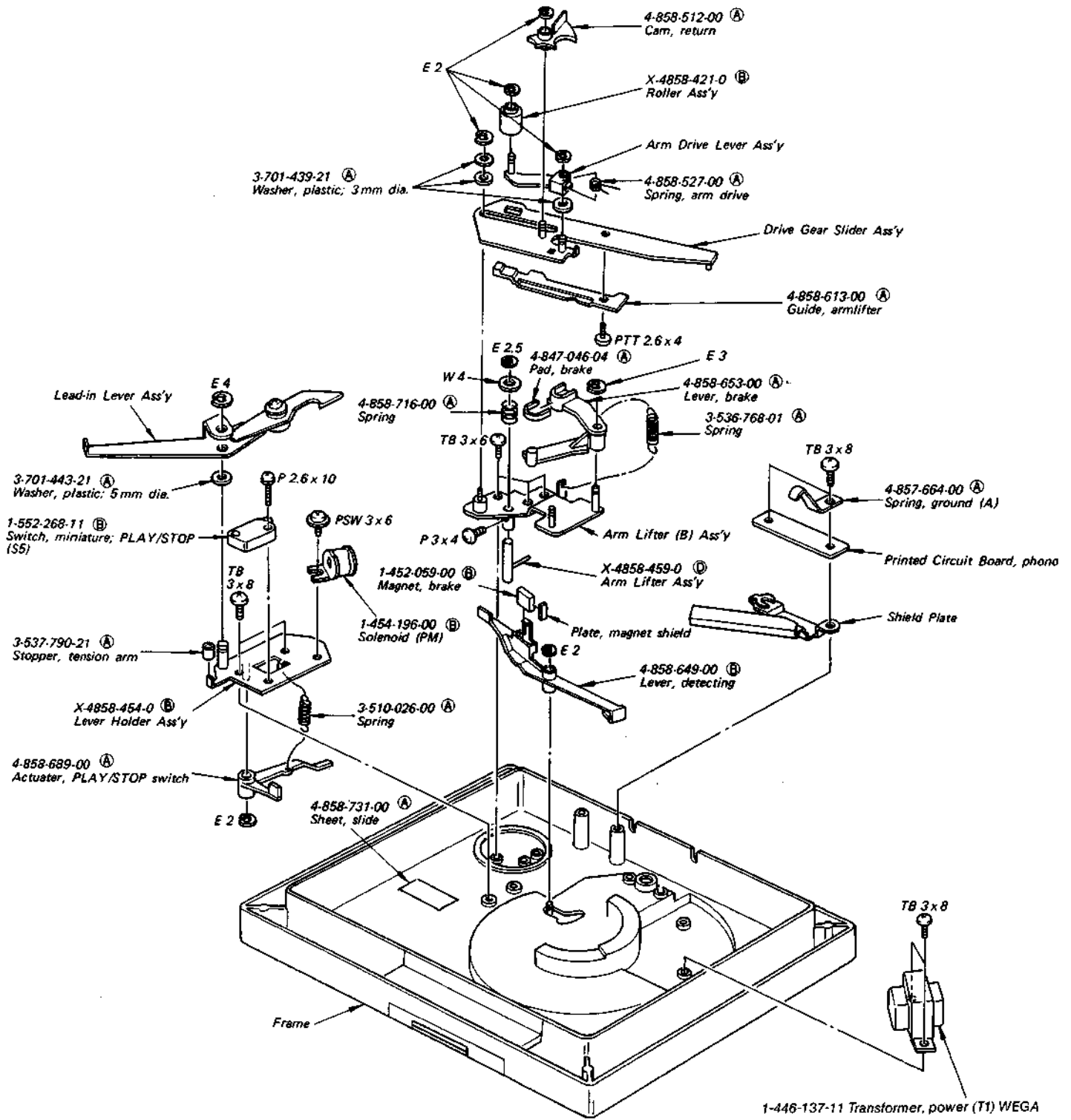


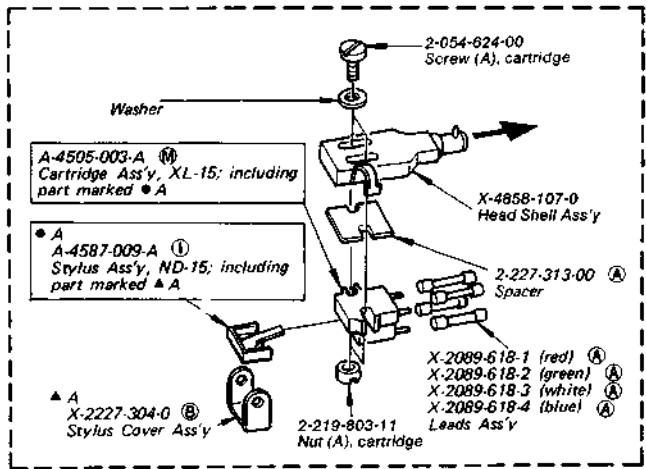
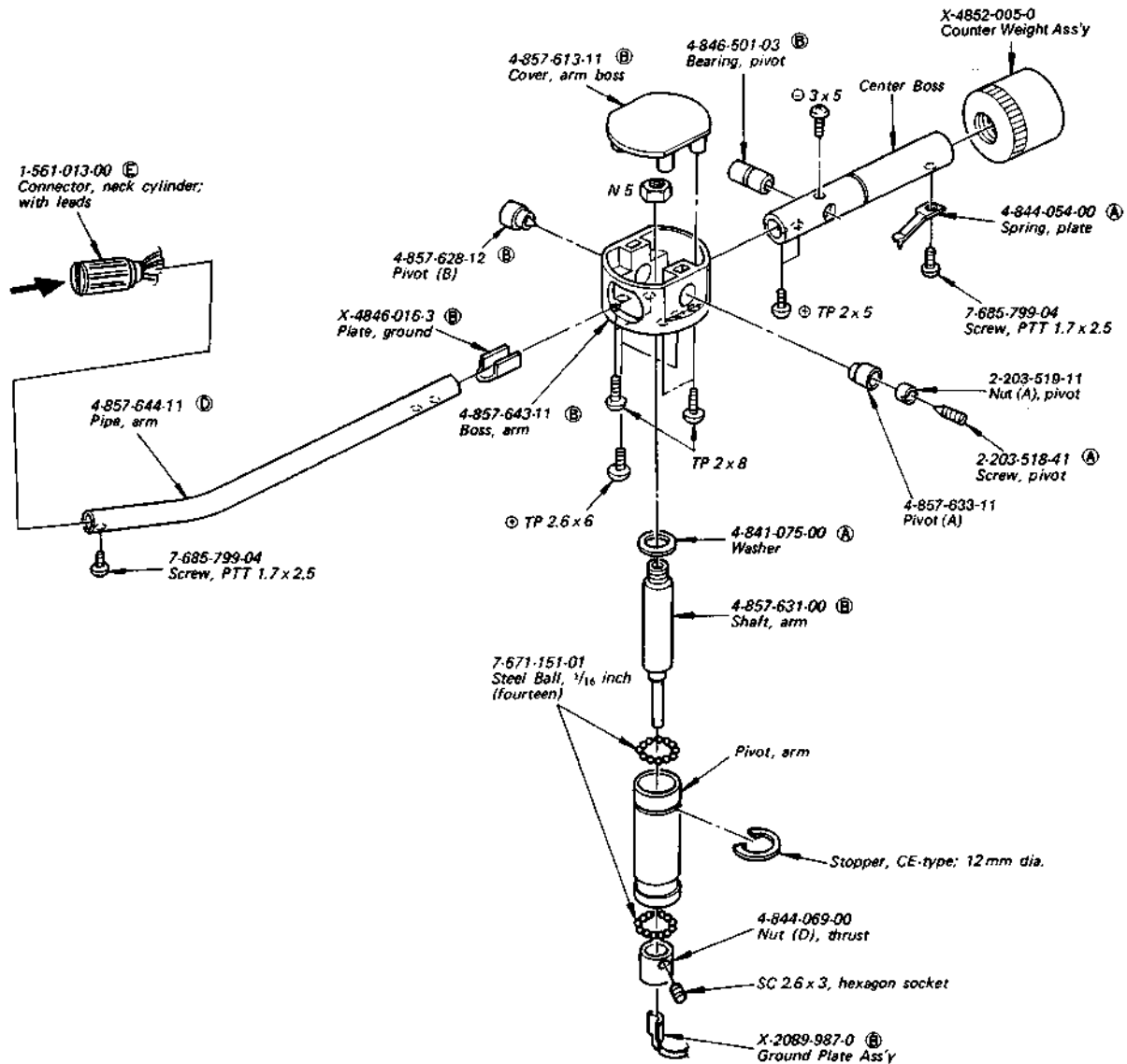












## ERSATZTEILE / ELECTRICAL PARTS LIST

POS. NR.	SACHNR.	TECHN. DATEN/ BEZEICHNUNG
REF. NO.	PART NO.	DESCRIPTION

### TRANSISTOREN / TRANSISTORS

Q1-4	8-729-663-47	2SC1364
Q5	8-727-788-00	2SA678
Q6	8-729-157-11	2SD571
Q7	8-729-160-51	2SB605
Q8	8-729-157-11	2SD571
Q9	8-729-160-51	2SB605
Q51	8-727-788-00	2SA678
Q52-54	8-729-663-47	2SC1364

### ICs

IC1,2	8-759-145-58	µPC4558C
-------	--------------	----------

### DIODEN / DIODES

D1	8-719-931-05	EQB01-05
D2-5	8-719-200-02	10E2

### HALL ELEMENTE / HALL ELEMENTS

H1,2	8-719-905-07	5GF-MS-07F
------	--------------	------------

### SPULEN / COILS

L1-4	1-462-161-00	MOTOR COIL, STATOR
------	--------------	--------------------

### TRANSFORMATOREN / TRANSFORMERS

T1	1-446-137-11	POWER
----	--------------	-------

### KONDENSATOREN / CAPACITORS

Alle Werte, wenn nicht anders angegeben, in µF. Spannungen unter 50 V, ausgenommen bei Elkos, werden nicht angegeben.

All capacitors are in µF, 50WV or less are not indicated except for electrolytics. pF = µµF, elect = electrolytic.

C1	1-108-293-12	0.22	MYLAR
C2	1-102-117-11	820 p	CERAMIC
C3	1-108-812-12	0.047	MYLAR
C4,5	1-121-391-11	1	50 V ELECT
C6	1-161-034-11	0.022	CERAMIC
C7,8	1-123-193-11	100	16 V ELECT
C9	1-121-944-11	1000	16 V ELECT
C10	1-121-939-11	470	16 V ELECT
C11,12	1-115-148-11	0.01	450 VPAPER
C51,52	1-121-651-11	10	16 V ELECT
C53	1-121-479-11	22	16 V ELECT

### WIDERSTÄNDE / RESISTORS

R24	1-213-156-11	12 k 1W METAL OXIDE (NONFLAMMABLE)
RV1	1-226-138-00	1 k-B, VARIABLE; PITCH
RV2-5	1-224-633-00	4.7 k-B, ADJUSTABLE

### SCHALTER / SWITCHES

S1	1-552-580-00	PUSHBUTTON, POWER
S2	1-552-233-31	PUSHBUTTON, SPEED 33/45 rpm
S3	1-552-532-00	MINIATURE, START/STOP
S4	1-552-571-00	PUSHBUTTONS, REPEAT
S5	1-552-268-11	MINIATURE, PLAY/STOP

POS. NR.	SACHNR.	TECHN. DATEN/ BEZEICHNUNG
REF. NO.	PART NO.	DESCRIPTION

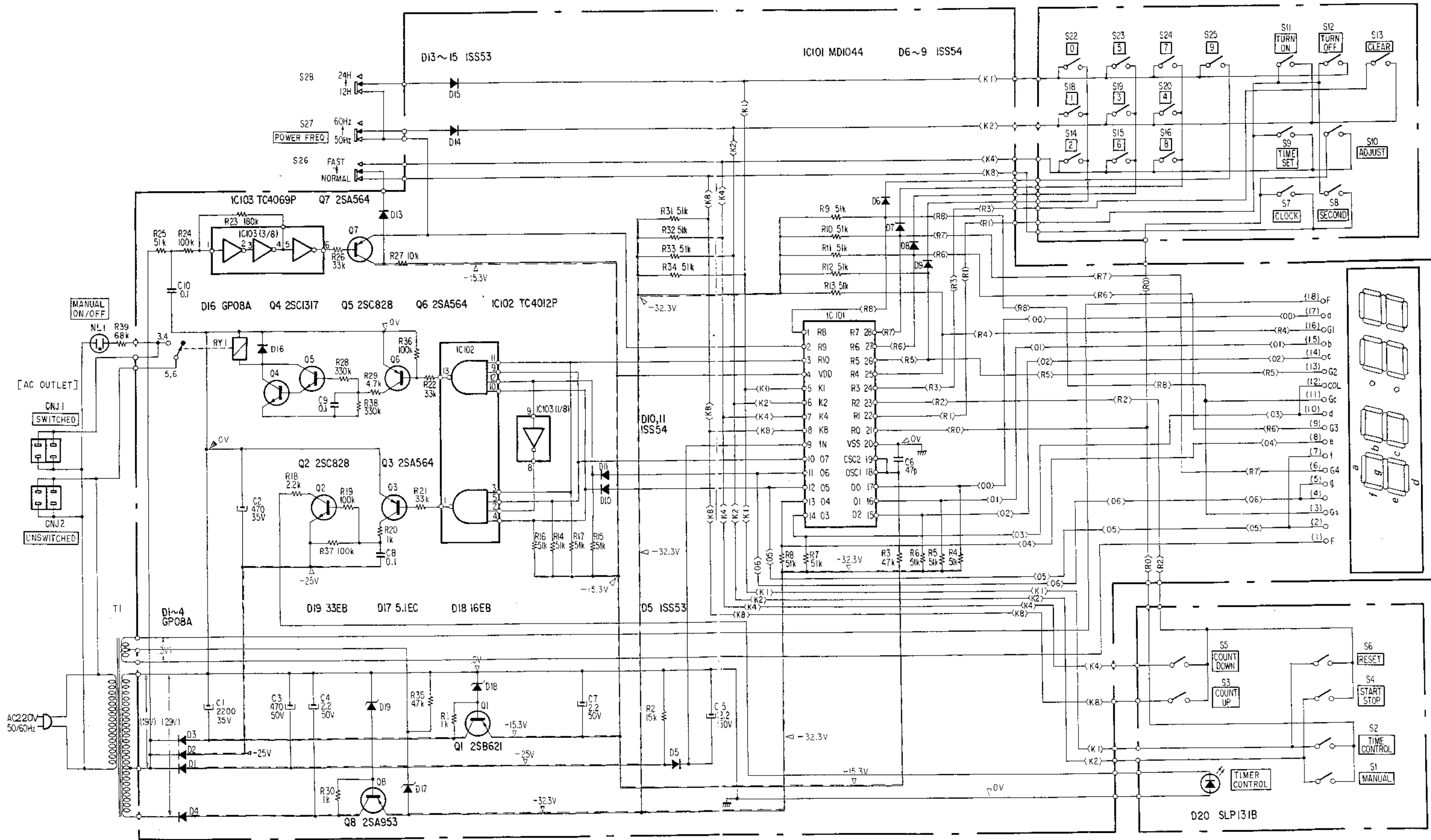
### SONSTIGES / MISCELLANEOUS

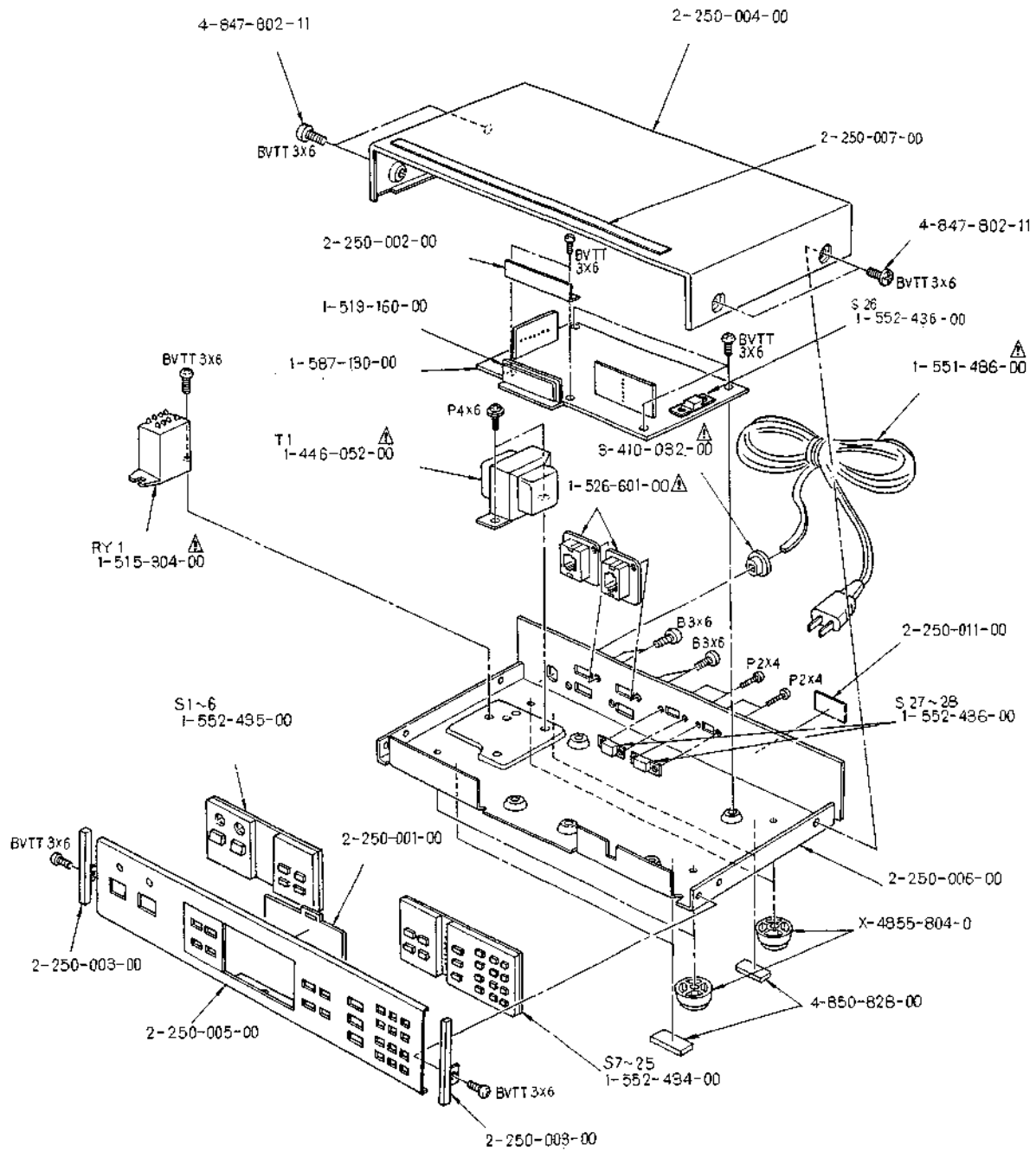
F1,2	1-532-066-11	FUSE, T 400 mA
MGH	1-543-123-00	HEAD, SPEED DETECTING (MGH)
NL1	1-519-135-11	NEON LAMP
PM	1-454-196-00	SOLENOID, DRIVE GEAR
	1-451-059-00	MAGNET, BRAKE
	A-4505-003-A	CARTRIDGE ASS'Y, W/STYLUS; XL-15 (UK MODEL)
	A-4587-009-A	STYLUS ASS'Y, ND-15G (UK, E MODEL)
	1-533-131-11	HOLDER, FUSE
	1-534-817-XX	CORD, POWER (AEP MODEL)
	1-551-294-31	CORD, PHONO
	1-561-013-11	CONNECTOR, NECK CYLINDER; WITH LEADS

### ZUBEHÖR UND VERPACKUNGSMATERIAL / ACCESSORIES & PACKING MATERIALS

3-701-616-00	BAG, PLASTIC; COUNTER-WEIGHT, HEAD SHELL
3-701-806-00	45 rpm ADAPTOR
4-848-002-00	CUSHION, ARM PIPE
4-857-655-00	PLATE (A), PROTECTION
4-857-656-00	PLATE (B), PROTECTION
4-857-657-00	BAG, PROTECTION
4-857-659-00	CUSHION, RIGHT
4-857-660-00	CUSHION, LEFT







**ERSATZTEILE / ELECTRICAL PARTS LIST**

POS. NR.	SACHNR.	TECHN. DATEN/ BEZEICHNUNG
REF. NO.	PART NO.	DESCRIPTION
NL1	1-519-00	(MANUAL ON/OFF)
RY1	1-515-304-00	
S7~25	1-552-434-00	
S1~6	1-552-435-00	
S26~28	1-552-436-00	
T1	1-519-160-00	
CNJ1.2	1-526-601-00	AC
	1-551-486-00	

**WIDERSTÄNDE / RESISTORS**

R39	1-244-717-11	68kΩ
-----	--------------	------

**KONDENSATOREN / CAPACITORS**

Alle Werte, wenn nicht anders angegeben, in µF. Spannungen unter 50 V, ausgenommen bei Elkos, werden nicht angegeben.

All capacitors are in µF and ceramic unless otherwise noted. 50VV or less not indicated except for electrolytics. pF = µµF, elect = electrolytic.

1	1-121-984-11	2200 µF 35 V
2	1-121-941-11	470 µF 35 V
3	1-121-983-11	470 µF 50 V
4,5,7	1-121-986-11	2.2 µF 50 V
8~10	1-161-063-11	0.1 µF 50 V

POS. NR.	SACHNR.	TECHN. DATEN/ BEZEICHNUNG
REF. NO.	PART NO.	DESCRIPTION

**TRANSISTOREN / TRANSISTORS**

Q1	8-729-160-51	2SB605
Q2,5	8-729-665-47	2SC1362
Q3,6,7	8-727-788-00	2SA678
Q4	8-729-100-13	2SC2001
Q8	8-729-160-51	2SB605

**DIODEN / DIODES**

D1~4	8-719-911-55	U05G
D5,13~15	8-719-923-76	1S2076A
D16	8-719-911-55	U05G
D6~11	8-719-923-76	1S2076A
D17	8-719-139-07	RD3.9E
D18	8-719-931-16	EQB01-16
D19	8-719-931-33	EQB01-33
D20	8-719-901-31	SLP131B

**ICs / ICs**

IC101	1-800-646-11	CP1044
IC102	8-759-240-12	TC4012P
IC103	8-759-240-69	TC4069P