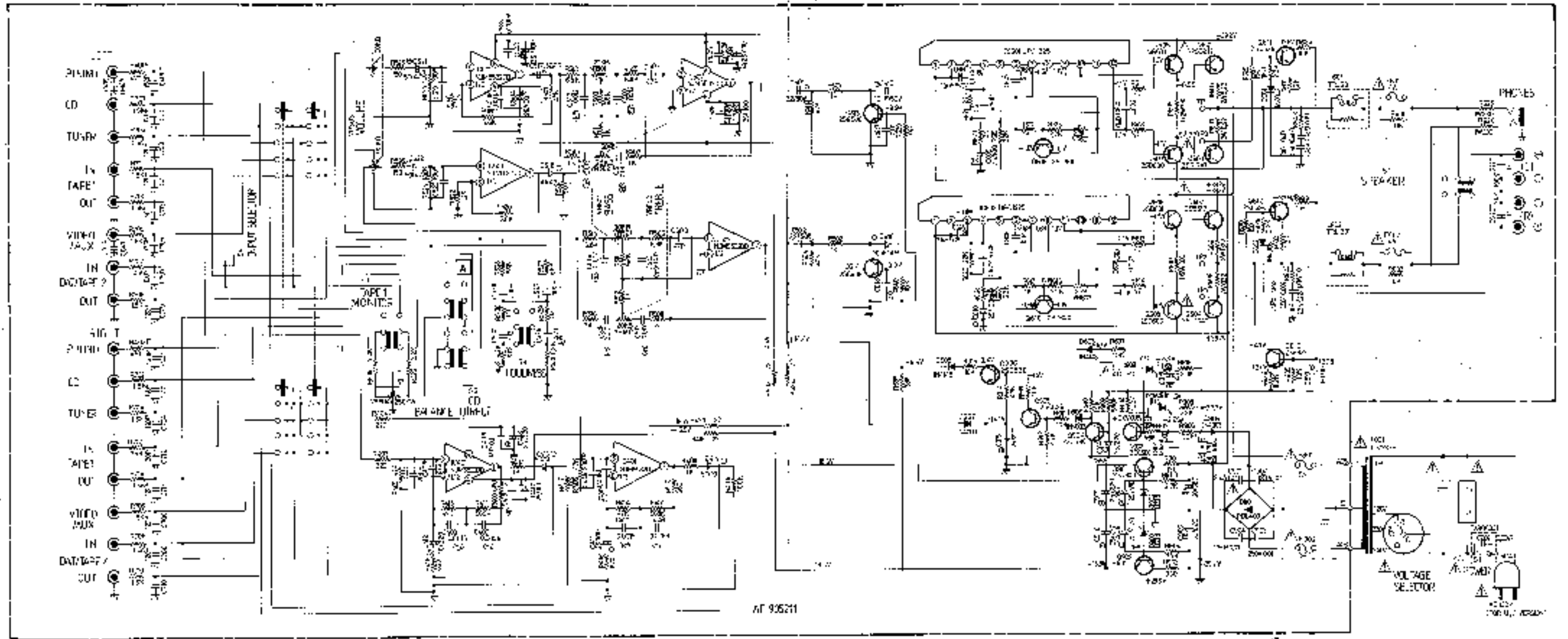
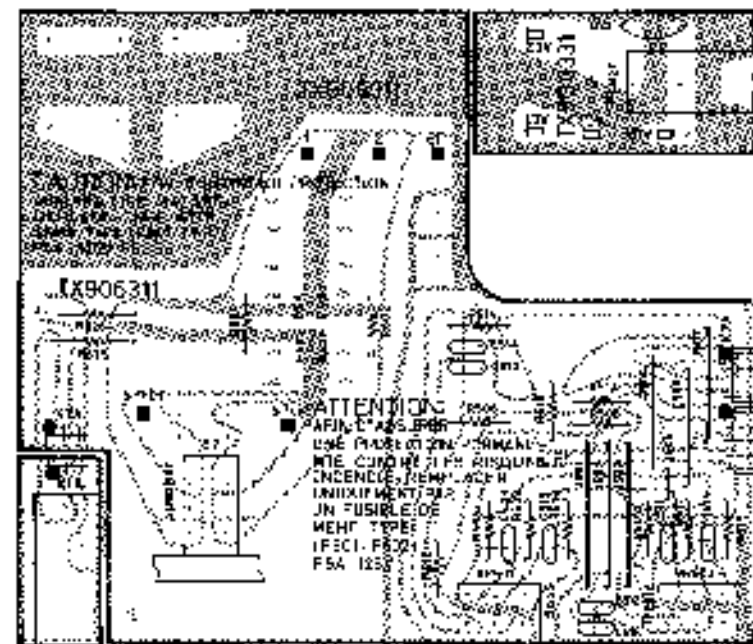


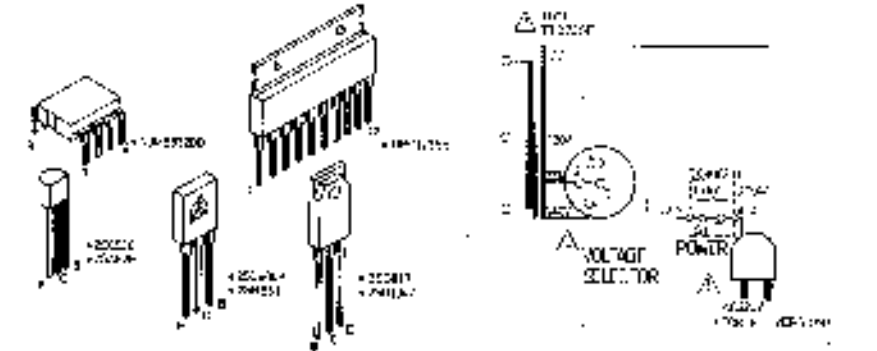
Technische Daten Spekta Wana	Specifications Especificaciones	Caractéristiques techniques características	Dati tecnici dati tecnici	Dual CV 5600
Ausgangsleistung Emit. output S.O.D.N. 1 K-Hz Emit. output S.O.H.F. 20 Hz - 20 K-Hz, 0,03 W Musikleistung 20 W (4 Ω)	Power output RMS continuous power output S.O.D.N. 1 K-Hz RMS continuous power output S.O.H.F. 20 Hz - 20 K-Hz, 0,03 W music power 20 W (4 Ω)	Puissance de sortie Emission continue Emission continue Musique Emission continue S.O.H.F. 20 Hz - 20 K-Hz, 0,03 W Musique 20 W (4 Ω)	Potenza di uscita Emissione continua Emissione continua Musica Emissione continua S.O.H.F. 20 Hz - 20 K-Hz, 0,03 W Potenza continua 20 W (4 Ω)	2x30 W 2x30 W 2x45/60 W
Leistungsbandbreite	Frequency response	Banda de puissance	Banda di potenza	10-20 K Hz
Klirrfaktor THD 0,05% (1 K-Hz)	Harmonic distortion THD 0,05% (1 K-Hz)	Distorsion THD 0,05% (1 K-Hz)	Distorsione armonica THD 0,05% (1 K-Hz)	0,05% (1 K-Hz)
Freispannungsgain Voltage gain 100 (1 K-Hz) Multiple gain 100, 200, 400	Signal/noise ratio Signal-to-noise ratio 100 dB (1 K-Hz) Frequency range 100, 200, 400	Rapport non pondéré non bruit Signal-to-noise ratio 100 dB (1 K-Hz) Emission continue 100, 200, 400	Selettività Signal-to-noise ratio 100 dB (1 K-Hz) Emission continue 100, 200, 400	37 dB 37 dB
Übertragungsimpfältig	Crosstalk attenuation	Diaphonie	Diaphonia	70 dB
 Eingänge CD, VIDEO, TAPE PHONO	Inputs CD, VIDEO, TAPE PHONO	Entrées CD, VIDEO, TAPE PHONO	Ingressi CD, VIDEO, TAPE PHONO	200 mV/1 V 200 mV/1 V
Ausgänge Loudspeaker for two loudspeakers Koodbucher für zwei Lautsprecher S TAPE, VIDEO	Outputs Loudspeaker for two loudspeakers Koodbucher für zwei Lautsprecher S TAPE, VIDEO	Sorties Loudspeaker for two loudspeakers Koodbucher für zwei Lautsprecher S TAPE, VIDEO	Uscite Loudspeaker for two loudspeakers Koodbucher für zwei Lautsprecher S TAPE, VIDEO	6-16 Ω
Leistungsaufnahme Power	Power input Power	Consommation de courant Power	Potenza assorbita Power	200 Watt
Netzspannung Mains Voltage 115V/120V/230V UK/US/UK	Mains voltage Emission mode US/Canadian model UK/US/UK	Tension secteur Emission mode US/Canadian model UK/US/UK	Tensione di rete Emission mode US/Canadian model UK/US/UK	220 V/230 V 220 V/230 V 220 V/230 V
Maße Dimensions 140 x 100 x 100 mm	Dimensions Width x height x depth	Dimensions Largeur x hauteur x profondeur	Dimensioni Larghezza x altezza x profondità	140 x 100 x 100 mm



Kangstallerplatte
Tone control P.C.D.
Cuntruin: Ionale

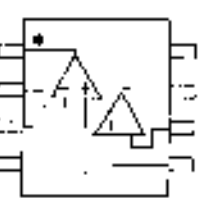


INSTRUCTIONS FOR SERVING PERSONNEL:
1. ALWAYS DISCONNECT POWER TO THE SERVICE PERSONNEL TO PREVENT ELECTRICAL SHOCK.
2. MAKE SURE TO DISCONNECT THE POWER TO THE UNIT BEFORE REPAIRING THE UNIT.
3. MAKE SURE TO REPAIR THE UNIT BEFORE REPAIRING THE UNIT.
4. MAKE SURE TO REPAIR THE UNIT BEFORE REPAIRING THE UNIT.



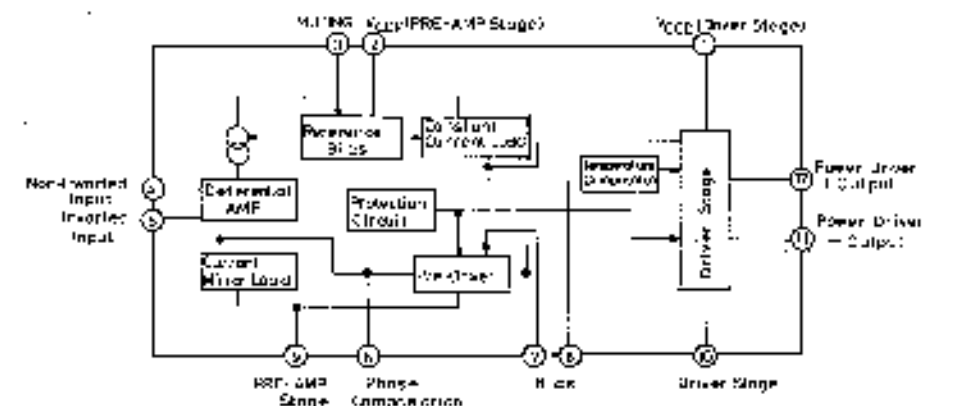
IC Block Diagram

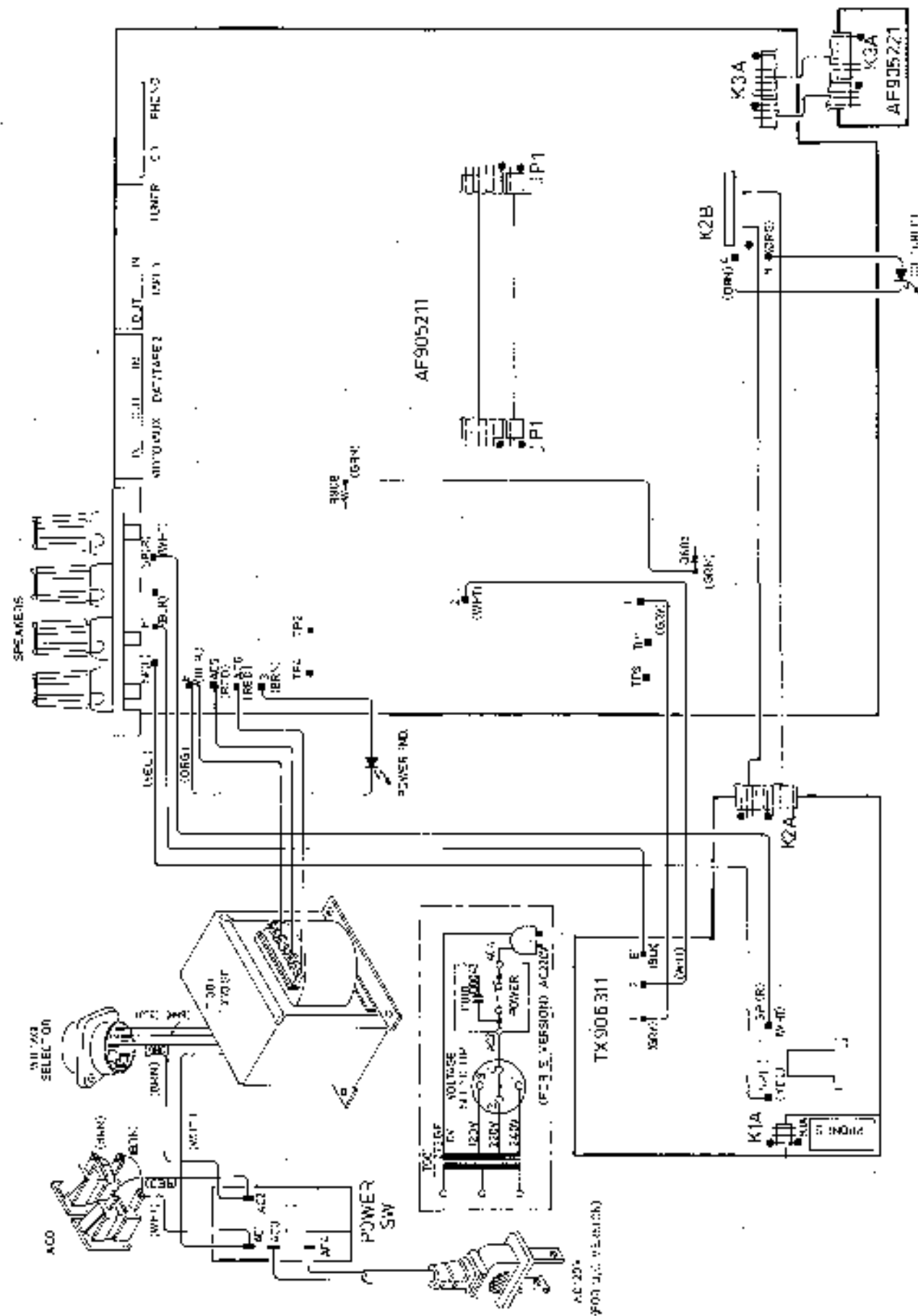
NJM 5532 5D



- 1. OUTPUT
- 2. INPUT
- 3. INPUT
- 4. GND
- 5. INPUT
- 6. INPUT
- 7. INPUT
- 8. GND

uPC-2254





Abgleichanleitung-Alignment Instruction

Signale Signals	Linealung Graduelle Scale source adjustment	Einstellung Geil Jitter adjustment	Angepaßte Anstimm Frequency connection	Abgleichposition Adjustment position	Abgleich, Bemessung Alignment, Dynamic
Ruhestrom - Quiescent Current					
		Speaker	70-80 mW		
		Wahne Minimum			
		Speaker On			
		Speaker 50			
		Indikatorwert Load meter			
		Geil 4 10 100 with 100 100 0.5 100 100 1 100 100		VH 60	4 W
				VH 80	4 W

