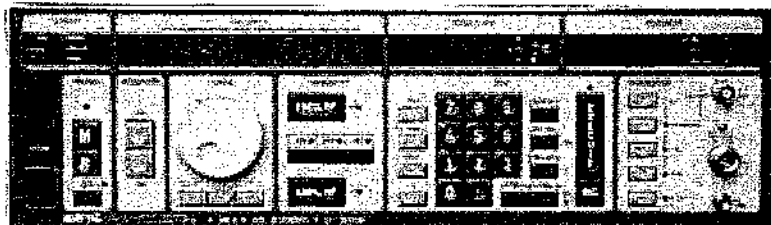


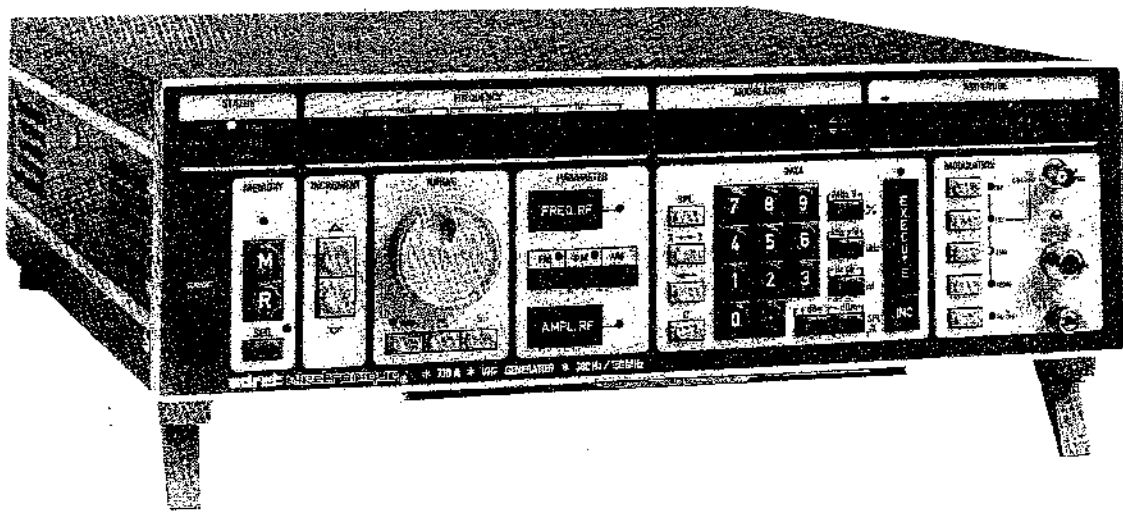
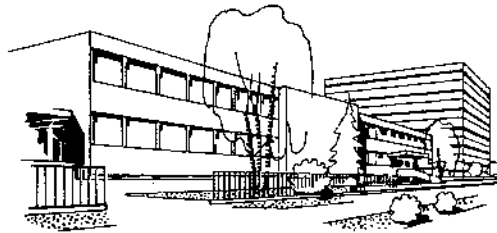
# ADRET

VHF GENERATOR  
MODEL 730A



MAINTENANCE HANDBOOK  
PART TWO

**ADRET** ELECTRONIQUE®



**VHF GENERATOR**  
**300 Hz/180 MHz**  
with AM, FM and  $\Phi$ M modulation facilities

**II MAINTENANCE**

**730 A**

N°

**ADRET** ELECTRONIQUE®

12, avenue Vladimir Komarov • BP 33 78192 Trappes Cedex • France • Tél. 051.29.72  
Téléfax 051.00.74 • Télex ADREL 697821 F • Siret 679805077 - 00014 • CCP Paris 21 797 04 •

## TABLE DES MATIERES

- \* SIGNIFICATION des codes sous/ensembles et Réf. Adret
- \* ARTICULATION et SYNOPTIQUE
- \* SCHEMAS et NOMENCLATURES
- \* LISTE des COMPOSANTS
- \* LISTE des SOUS-ENSEMBLES MAINTENANCE
  - Outillage
  - Rechange 100%
  - Rechange 70%
  - Composants maintenance
- \* Garantie et Assistance

## CONTENT

- \* MEANING of the part number and Adret codes
- \* ARTICULATION and BLOCK DIAGRAM
- \* DIAGRAMS and NOMENCLATURES
- \* COMPONENTS LIST
- \* RECOMMENDED SUB-ASSEMBLIES or PC board
  - Extended boards
  - Set of 100% of repairs
  - Set of 70% or repairs
  - Set of components
- \* Warranty and Assistance

**SIGNIFICATION des codes sous/ensembles et Ref. Adret**

Dans le chapitre **SCHEMAS** et **NOMENCLATURES**, les deux premiers chiffres  
 - du code s/ensemble (page 1)  
 - et de la Ref. Adret (page 2 et suivantes),  
 correspondent à une famille de produits.  
 Le détail de ces familles est donné dans le tableau ci-après.

**Exemples**

Page 1 : Articulation

| PAGE | CODE S/ENSEMBLE<br>PART NUMBER | DESCRIPTION              | * | PART DESCRIPTION         | PLAN<br>DRAWING |
|------|--------------------------------|--------------------------|---|--------------------------|-----------------|
| - 2  | 0471004009-*                   | 16 OPTION AMPLI STD .... | * | 16 OPTION AMPLI 650MHZ . | C94.....A98*97  |
| - 5  | 0271520000-*                   | 13 ATTENUATEUR .....     | * | 13 ATTENUATOR ASSEMBLY . | A92.....C98...  |
| - 6  | 0273210000-*                   | 03 CARTE BF AMPLI STD .. | * | 03 BF BOARD AMPLI 650MHZ | A93.....        |
| - 7  | 0274740000-*                   | 02 CDE AMPLI STD .....   | * | 02 CONTROL AMPLI 650MHZ. | C93.....A97     |

Soit le code s/ensemble **0271520000**.

Le tableau ci-après indique qu'il s'agit d'un sous-ensemble (02).

Page 2 et suivantes : Nomenclature

| REPÈRE<br>INDEXE | REF. ADRET<br>PART NUMBER | DESCRIPTION                    | PART DESCRIPTION                 | FURNISSEUR/PLAN<br>SUPPLIER/DRAWING |
|------------------|---------------------------|--------------------------------|----------------------------------|-------------------------------------|
|                  | 001 0271520000            | 13 ATTENUATEUR .....           | * 13 ATTENUATOR ASSEMBLY .       | A92.....C98...                      |
|                  | 001 0273210000            | 03 CARTE BF AMPLI STD ..       | * 03 BF BOARD AMPLI 650MHZ       | A93.....                            |
|                  | 001 0274740000            | 02 CDE AMPLI STD .....         | * 02 CONTROL AMPLI 650MHZ.       | C93.....A97                         |
| B                | -001 1400217300           | KMV10 EMBASE MALE FIXAT. AVANT | * KMV10 00 FRONT ANCHOR MALE ... | SEAELECTRO                          |
| B                | -002 1420020700           | TRF254 M 20 MALE A SOLDER      | * TRF254 M 20 MALE TO SOLDER     | TRELEC                              |
| C                | 3100620000                | FILTRE TRAVERSEE ZFN 5203-00A  | * PINCH FILTER ZFN 5203-00A      | TDK                                 |
| C                | -001 3150042200           | 0,22MMF 5 50V20% 3439050 E224M | * 0,22MMF 5 50V20% 3439050 E224M | AVX                                 |
| C                | -002 3800042200           | CHIPS 0,22MMF 20% 25V Z5U-1808 | * CHIPS 0,22MMF 20% 25V Z5U-1808 | RTC                                 |
| C                | -003 3120098200           | 8,2PF 2,5"E" 2222 678 09 828   | * 8,2PF 2,5"E" 2222 678 09 828   | COGECO                              |
| C                | -004 3800042200           | CHIPS 0,22MMF 20% 25V Z5U-1808 | * CHIPS 0,22MMF 20% 25V Z5U-1808 | RTC                                 |

Soit la Ref. Adret **3150042200**.

Le tableau ci-après indique qu'il s'agit d'un condensateur Céramique (31) et rappelle son repère (C).

**PRODUITS**

**Repère Famille**

|   |  |    |                        |
|---|--|----|------------------------|
|   |  | 01 | Option Client          |
|   |  | 02 | Sous-Ensemble          |
|   |  | 04 | Option Usine           |
|   |  | 10 | Transformateurs        |
| <b>COMPOSANTS<br/>D'INTERCONNEXIONS</b> |  | 11 | Fils et câbles         |
|   |  | 12 | Circuits imprimés      |
|   |  | 13 | Accessoires de câblage |
|   |  | B  | Connecteurs            |
|   |  | K  | Commutateurs           |
|   |  | K  | Relais                 |

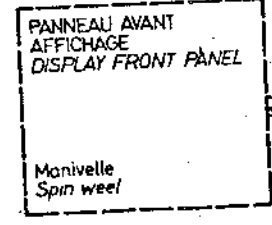
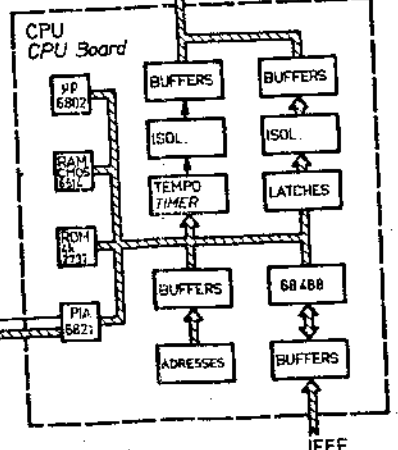
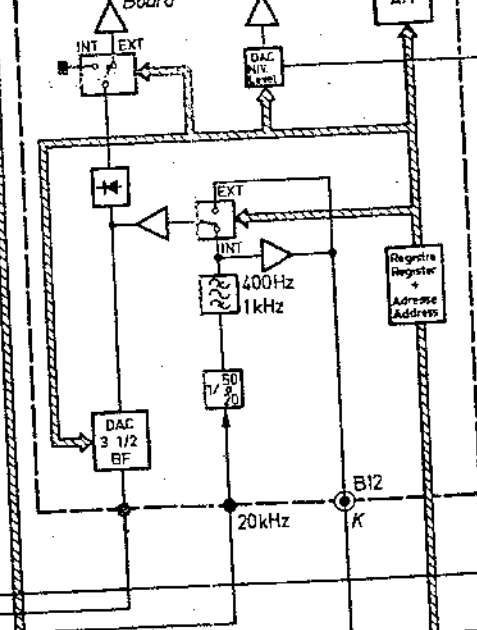
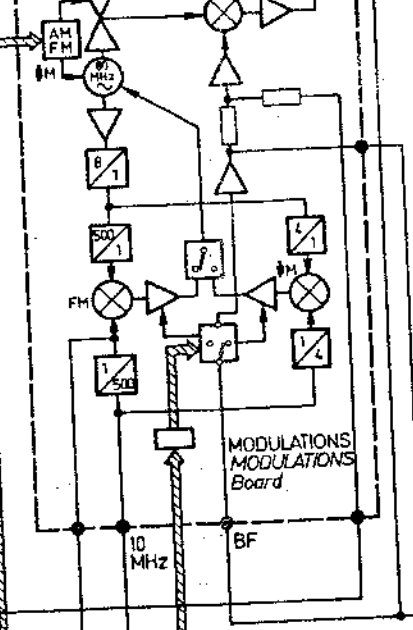
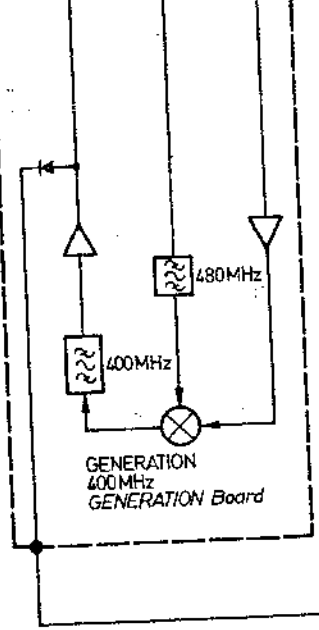
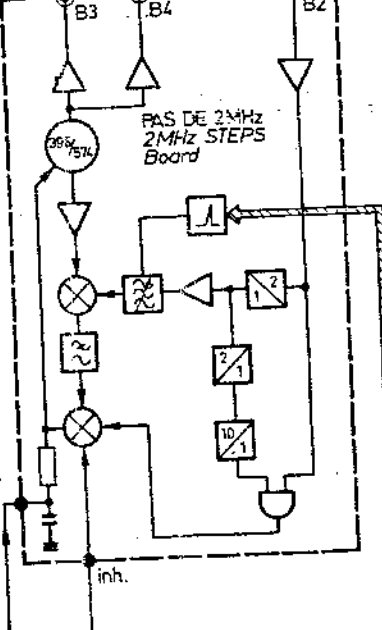
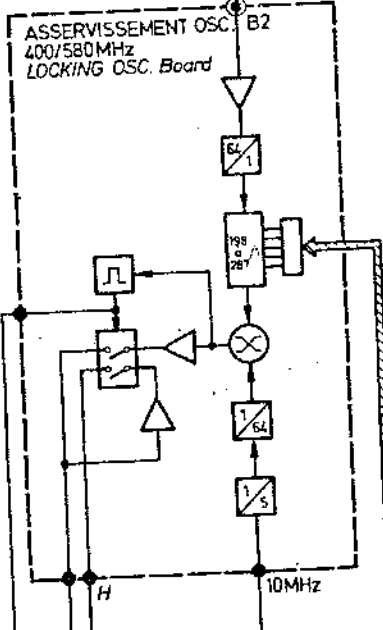
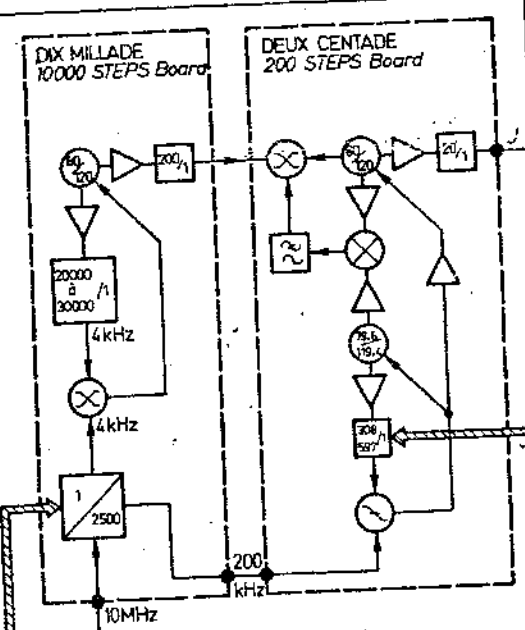
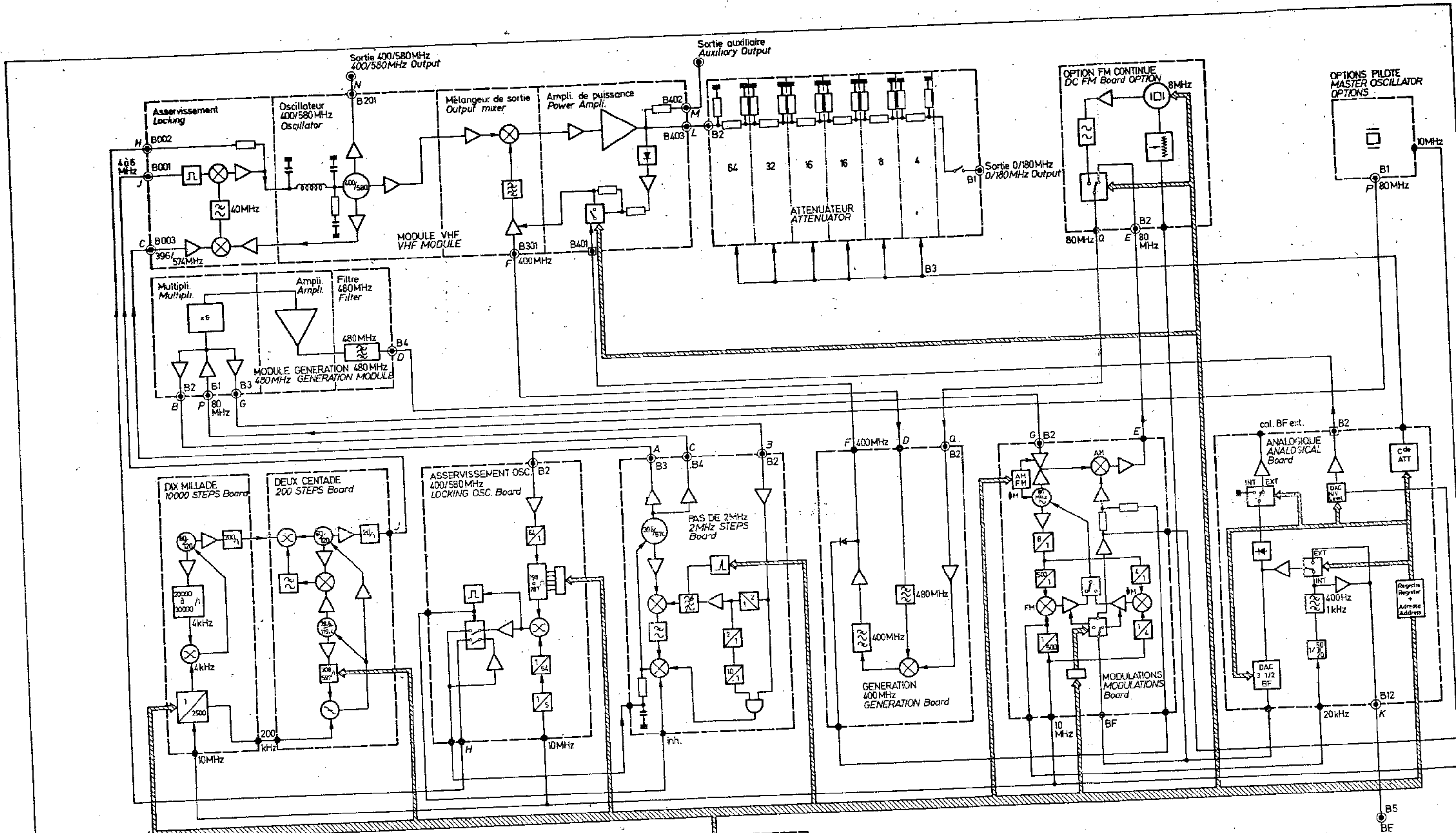
**PRODUCTS**

**Reference Family**

|                                     |    |       |  |
|-------------------------------------|----|-------|--|
|                                     |    | 17    | Protection, signalling, lights, fuses ...  |
|                                     |    | 18    | Galvanometer, time counter ...             |
|                                     |    | 19    | Accessories for interconnection components |
| <b>RESISTORS</b>                    | R  | 20    | Thermistors CTN - CTP                      |
|                                     | P  | 21    | Potentiometers                             |
|                                     | R  | 22,23 | Resistors for running use                  |
|                                     | R  | 24    | Resistors for running use                  |
|                                     | R  | 25,26 | Resistors with metallic sheet              |
|                                     | R  | 27    | Resistors very high accuracy               |
|                                     | R  | 28    | Winded resistors                           |
|                                     | R  | 29    | Miniature resistors                        |
| <b>CAPACITORS</b>                   | C  | 31    | Ceramic capacitors                         |
|                                     | C  | 32    | Capacitors film plastic                    |
|                                     | C  | 33    | Capacitors mica                            |
|                                     | C  | 35    | Electrochemical capacitors                 |
|                                     | C  | 36    | Variable capacitors                        |
|                                     | C  | 37    | Tantalum capacitors                        |
|                                     | C  | 38    | CHIPS capacitors, ceramic pastille         |
|                                     |    | 39    | Accessories                                |
| <b>SEMI-CONDUCTORS</b>              | D  | 40    | Photo emitting cell                        |
|                                     | SN | 41    | Logic printed circuits                     |
|                                     | SN | 42    | Analog printed circuits                    |
|                                     | Q  | 43    | Transistors                                |
|                                     | Q  | 44    | Field effect transistors                   |
|                                     | D  | 45    | Diodes and varicaps                        |
|                                     | D  | 46    | Zener diodes                               |
|                                     |    | 48    | Hybrid circuits                            |
|                                     |    | 49    | Accessories                                |
| <b>OTHERS ELECTRONIC COMPONENTS</b> | Y  | 51    | Crystals and accessories                   |
|                                     | F  | 52    | Filter                                     |
|                                     | L  | 53    | Surmoulded inductors                       |
|                                     |    | 54    | Components for winding                     |
|                                     |    | 55    | Ferrite tubes                              |
|                                     |    | 56    | Components for winding                     |
|                                     |    | 57    | Battery                                    |
|                                     |    | 59    | Transducer                                 |
| <b>MECANIC REPLACEMENT PARTS</b>    |    | 61    | Screws                                     |
|                                     |    | 62    | Nuts                                       |
|                                     |    | 63    | Washers                                    |
|                                     |    | 64    | Clinches, contacts, circlips ...           |
|                                     |    | 65    | Knobs, faces ...                           |
|                                     |    | 67    | Spacer round                               |
| <b>MECANICAL</b>                    |    | 71    | to 91                                      |

ARTICULATION & OPTIONS 730A \* ARTICULATION & OPTIONS 730A 12.86  
 \*\*\*\*\* \* \*\*\*\*\*

| PAGE | CODE S/ENSEMBLE<br>PART NUMBER | DESCRIPTION                      | PLAN<br>DRAWING                                |
|------|--------------------------------|----------------------------------|--|
| - 2  | 0407301000-*                   | 09 730A AVANT OPTIONS ... 730A   | 09 730A WITHOUT OPTION .. 730A M91.....B98C97  |
| - 3  | 0274660100-*                   | 06 REDRESSEUR REGULATION 740A    | 06 POWER SUPPLY BOARD ... 740A F92.....098C97  |
| - 5  | 0274750000-*                   | 03 CARTE DIX MILLADE .... 730A   | 03 10 000 STEPS BOARD ... 730A E92.....C98D97  |
| - 7  | 0274760000-*                   | 04 CARTE DEUX CENTADE ... 730A   | 04 200 STEPS BOARD ..... 730A D92.....C98C97   |
| - 10 | 0274770000-*                   | 05 CARTE ASS.MENT 400/580 730A   | 05 400/580 PHASE-LOCK OSC 730A H92.....C98C97  |
| - 13 | 0274780000-*                   | 14 CARTE PAS DE 2MHZ .... 730A   | 14 2MHZ STEPS BOARD ..... 730A P92.....C98E97  |
| - 17 | 0274800100-*                   | 10 MODULATIONS '2' ..... 730A    | 10 MODULATIONS '2' ..... 730A H92.....C98F97   |
| - 21 | 0274810000-*                   | 04 CARTE ANALOGIQUE ..... 730A   | 04 ANALOG BOARD ..... 730A D92.....098D97      |
| - 23 | 0274990000-*                   | 08 CARTE GENERATION 400 . 730A   | 08 400 GENERATION BOARD . 730A H92.....C98D97  |
| - 25 | 0275200100-*                   | 05 MODULE UHF (22,9DBM).. 730A   | 05 UHF MODULE (22,9DBM).. 730A H91.....C98D97  |
| - 32 | 0275710100-*                   | 01 BLOC ATTENUATEUR 'OMR' 730A   | 01 ATTENUATOR ASSBLY'OMR' 730A C92 A97         |
| - 34 | 0275720000-*                   | 06 CHASSIS EQUIPE ..... 730A     | 06 FITTED CHASSIS ..... 730A G91.....A97       |
| - 35 | 0273820100-*                   | 02 ASSERVISSEMENT '2' .... 740A  | 02 80MHZ PHASE LOCKING '2' 740A F92.....B98B97 |
| - 36 | 0274820000-*                   | 02 PORTEUR EQUIPE ..... 730A     | 02 FITTED MOTHER ..... 730A B92(2).....        |
| - 37 | 0277360000-*                   | 01 FACE AVANT AFFICHAGE '3' 730A | 01 DISPLAY FRONT PANEL '3' 730A A92.....       |
| - 38 | 0276630000-*                   | 04 MANIVELLE '5' ..... 740A      | 04 SPIN WHEEL '5' ..... 740A C93.....A98A97    |
| - 39 | 0277340000-*                   | 01 CARTE CDE & AFFICHAGE 740A    | 01 DISPLAY BOARD ..... 740A C92(2).....A97     |
| - 42 | 0276450000-*                   | 10 MODULE GENERATION 480. 730A   | 10 480 GENERATION MODULE. 730A J92.....E98D97  |
| - 43 | 0276970000-*                   | 04 CPU '2' ..... 740A            | 04 CPU '2' ..... 740A E91.....A98E97           |
| - 45 | 0407308301-*                   | 05 OPTION 2 FM/DC ..... 730A     | 05 OPTION 2 FM/DC ..... 730A                   |



|                    |          |            |          |               |     |
|--------------------|----------|------------|----------|---------------|-----|
| ADRET ELECTRONIQUE |          | SYNOPTIQUE |          | BLOCK DIAGRAM |     |
| DATE: 06/08/84     | ETUDE: 5 | DESIGN: C  | VERIF: 9 | 70407301000   | 310 |

CARTE CPU  
CPU BOARD

CARTE DIX MILLADE  
10 000 STEPS BOARD

CARTE DEUX CENTIADE  
200 STEPS BOARD

CARTE ASSERVISSEMENT  
400/580 MHz  
400/580 MHz PHASE LOCK  
BOARD

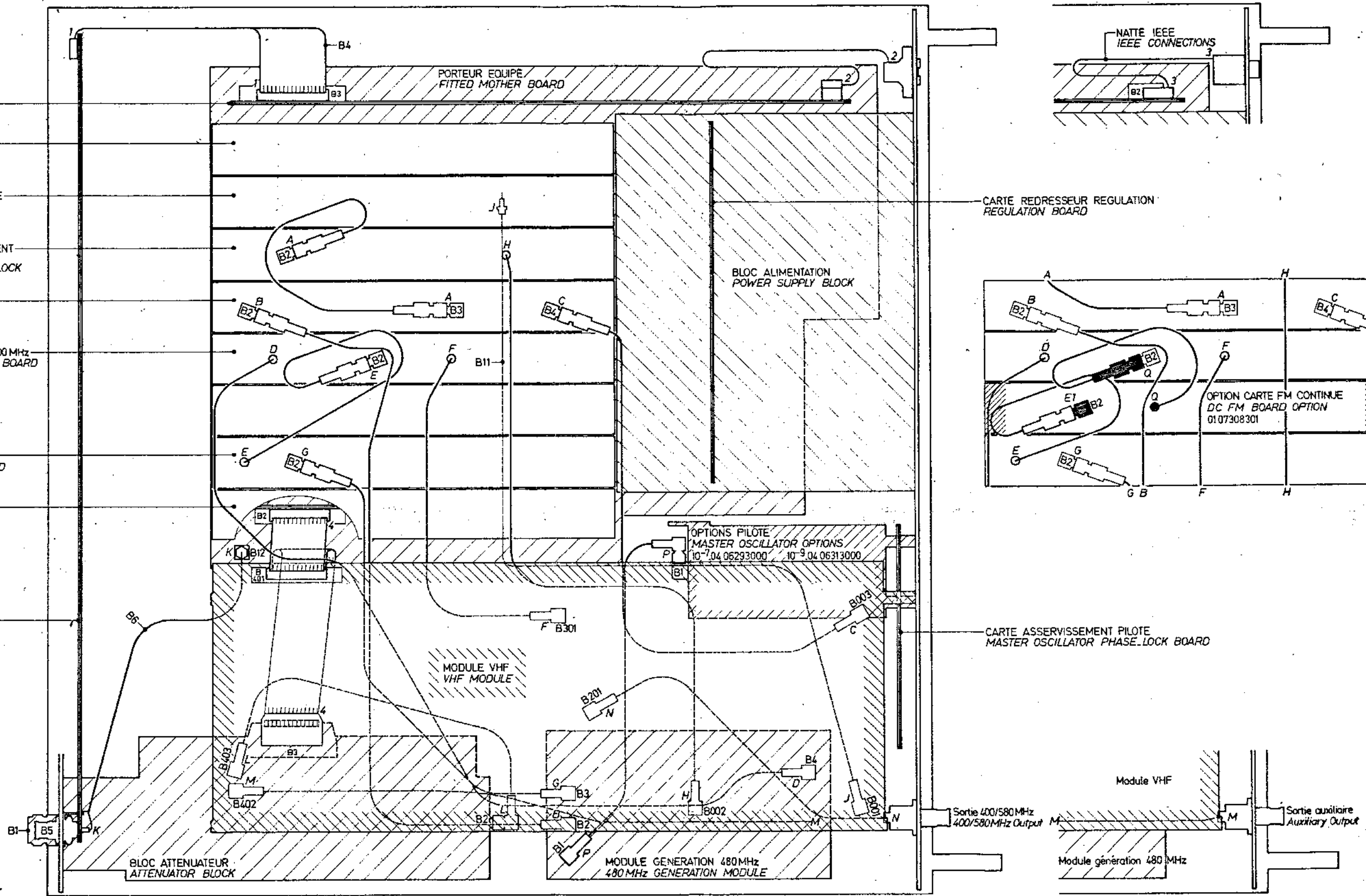
CARTE PAS DE 2 MHz  
2 MHz STEPS BOARD

CARTE GENERATION 400 MHz  
400 MHz GENERATION BOARD

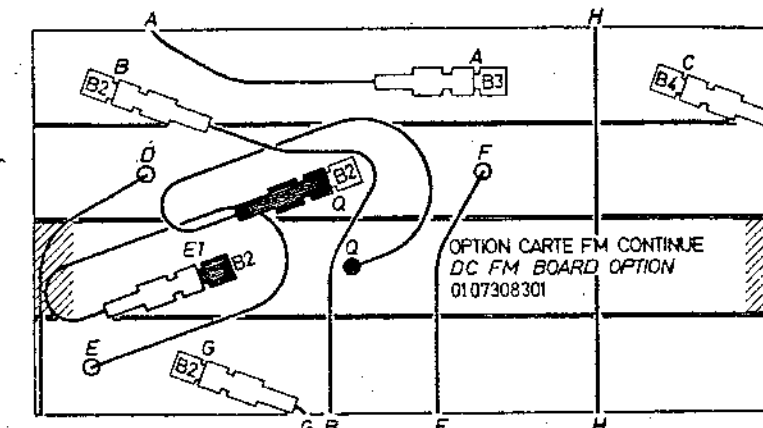
CARTE MODULATIONS  
MODULATIONS BOARD

CARTE ANALOGIQUE  
ANALOGICAL BOARD

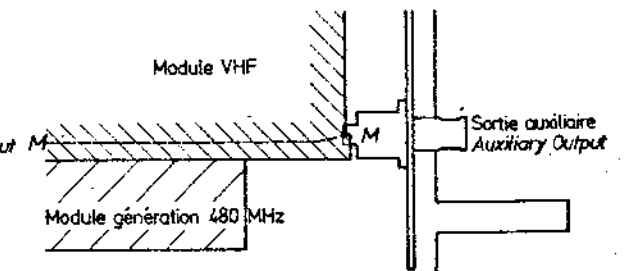
CARTE AFFICHAGE  
DISPLAY BOARD



CARTE REDRESSEUR REGULATION  
REGULATION BOARD



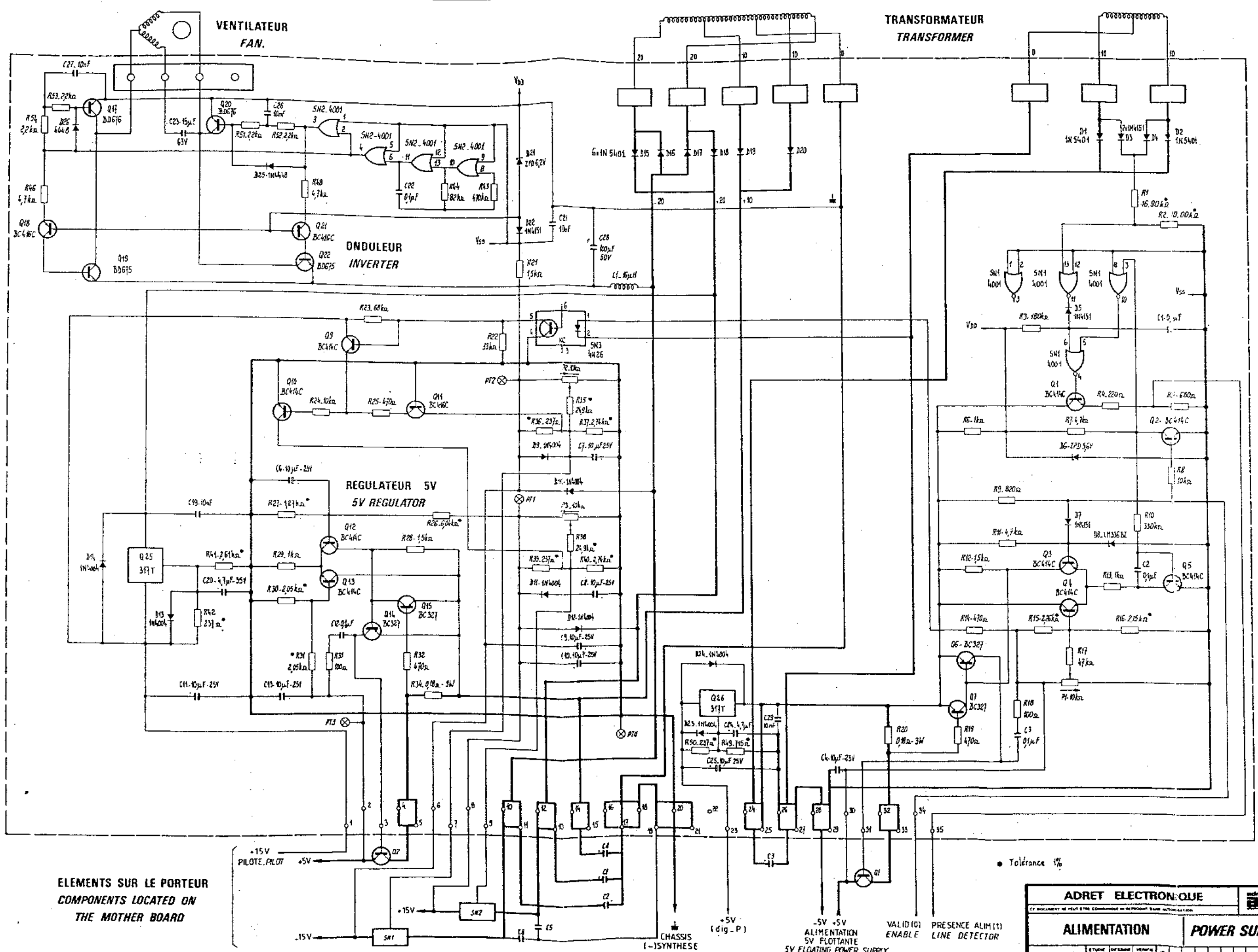
CARTE ASSERVISSEMENT PILOTE  
MASTER OSCILLATOR PHASE LOCK BOARD



|  |          |                                    |          |  |
|--|----------|------------------------------------|----------|--|
| <b>ADRET ELECTRONIQUE</b>  |          |                                    |          | 10 rue de la République<br>92100 CLAMART<br>FRANCE |
| CE DOCUMENT NE PEUT ETRE COMMUNIQUE NI REPRODUIT SANS AUTORISATION |          |                                    |          |  |
| <b>INTERCONNEXIONS</b>   |          | <b>INTERCONNECTIONS<br/>BOARDS</b> |          |  |
| DATE: 18 07/84   | ETUDE: 5 | DESIGN: 5                          | VERIF: 5 | C 9 7 0 4 0 7 3 0 1 0 0 0                          |







ELEMENTS SUR LE PORTEUR  
COMPONENTS LOCATED ON  
THE MOTHER BOARD

• Tolérance 1%

|                           |      |                           |
|---------------------------|------|---------------------------|
| <b>ADRET ELECTRONIQUE</b> |      | <b>POWER SUPPLY BOARD</b> |
| <b>ALIMENTATION</b>       |      |                           |
| no. 27 / 2 / 82           | ETAT | 70274660100               |



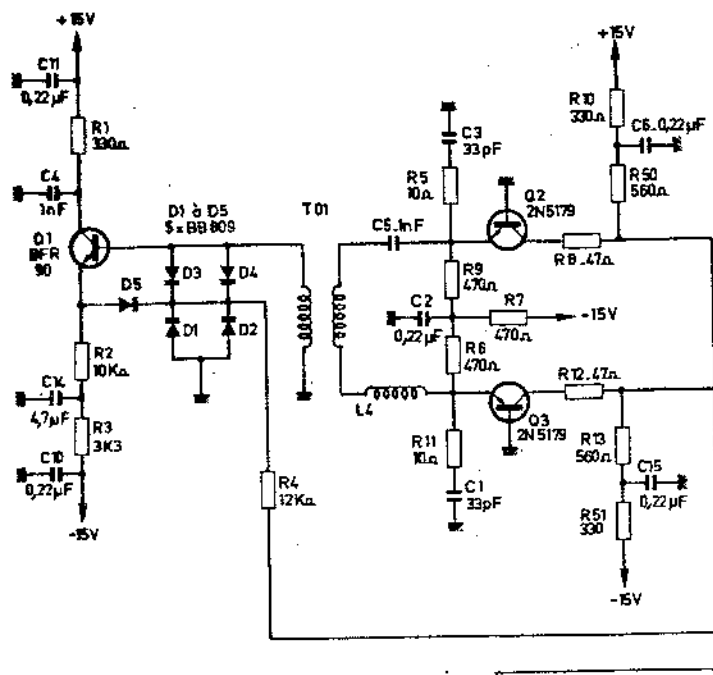
| REPERE INDEXE | REF. ADRET PART NUMBER | DESCRIPTION                    | PART DESCRIPTION                 | FOURNISSEUR/PLAN SUPPLIER/DRAWING | QTE QTY |
|---------------|------------------------|--------------------------------|----------------------------------|-----------------------------------|---------|
| B -001        | 1404024700             | EMBASE MALE 4POINTS 22-27-2041 | * MALE SOCKET 4POINTS 22-27-2041 | MOLEX                             | 1       |
| B -002        | 1435004600             | TM 35 MCIG                     | * TM 35 MCIG                     | TRELEC                            | 1       |
| C -001        | 3234100400             | 0,1 MMF 5,08 10%               | IRD607 * 0,1 MMF 5,08 10%        | IRD607 LCC                        | 1       |
| C -002        | 3234100400             | 0,1 MMF 5,08 10%               | IRD607 * 0,1 MMF 5,08 10%        | IRD607 LCC                        | 1       |
| C -003        | 3234100400             | 0,1 MMF 5,08 10%               | IRD607 * 0,1 MMF 5,08 10%        | IRD607 LCC                        | 1       |
| C -004        | 3700140000             | 10MMF/25V L14 20%              | CTS13 * 10MMF/25V L14 20%        | CTS13 SPRAGUE                     | 1       |
| C -006        | 3700140000             | 10MMF/25V L14 20%              | CTS13 * 10MMF/25V L14 20%        | CTS13 SPRAGUE                     | 1       |
| C -007        | 3700140000             | 10MMF/25V L14 20%              | CTS13 * 10MMF/25V L14 20%        | CTS13 SPRAGUE                     | 1       |
| C -008        | 3700140000             | 10MMF/25V L14 20%              | CTS13 * 10MMF/25V L14 20%        | CTS13 SPRAGUE                     | 1       |
| C -009        | 3700140000             | 10MMF/25V L14 20%              | CTS13 * 10MMF/25V L14 20%        | CTS13 SPRAGUE                     | 1       |
| C -010        | 3700140000             | 10MMF/25V L14 20%              | CTS13 * 10MMF/25V L14 20%        | CTS13 SPRAGUE                     | 1       |
| C -011        | 3700140000             | 10MMF/25V L14 20%              | CTS13 * 10MMF/25V L14 20%        | CTS13 SPRAGUE                     | 1       |
| C -012        | 3234100400             | 0,1 MMF 5,08 10%               | IRD607 * 0,1 MMF 5,08 10%        | IRD607 LCC                        | 1       |
| C -013        | 3700140000             | 10MMF/25V L14 20%              | CTS13 * 10MMF/25V L14 20%        | CTS13 SPRAGUE                     | 1       |
| C -019        | 3150031000             | 10NF 5,08 63V                  | GOX 767 14 * 10NF 5,08 63V       | GOX 767 14 LCC                    | 1       |
| C -020        | 3700090000             | 4,7MMF/35V L14                 | CTS13 * 4,7MMF/35V L14           | CTS13 SPRAGUE                     | 1       |
| C -021        | 3150031000             | 10NF 5,08 63V                  | GOX 767 14 * 10NF 5,08 63V       | GOX 767 14 LCC                    | 1       |
| C -022        | 3234100400             | 0,1 MMF 5,08 10%               | IRD607 * 0,1 MMF 5,08 10%        | IRD607 LCC                        | 1       |
| C -023        | 3226150000             | 15MMF 20% 63V                  | PMR 4 * 15MMF 20% 63V            | PMR 4 EFCO                        | 1       |
| C -024        | 3700090000             | 4,7MMF/35V L14                 | CTS13 * 4,7MMF/35V L14           | CTS13 SPRAGUE                     | 1       |
| C -025        | 3700140000             | 10MMF/25V L14 20%              | CTS13 * 10MMF/25V L14 20%        | CTS13 SPRAGUE                     | 1       |
| C -026        | 3150031000             | 10NF 5,08 63V                  | GOX 767 14 * 10NF 5,08 63V       | GOX 767 14 LCC                    | 1       |
| C -027        | 3150031000             | 10NF 5,08 63V                  | GOX 767 14 * 10NF 5,08 63V       | GOX 767 14 LCC                    | 1       |
| C -028        | 3500570000             | 100MMF 50V                     | REF E035 * 100MMF 50V            | REF E035 RTC                      | 1       |
| C -029        | 3150031000             | 10NF 5,08 63V                  | GOX 767 14 * 10NF 5,08 63V       | GOX 767 14 LCC                    | 1       |
| D -001        | 4500050000             | BY 251                         | * BY 251                         | ITT                               | 1       |
| D -002        | 4500050000             | BY 251                         | * BY 251                         | ITT                               | 1       |
| D -003        | 4500020000             | IN4151                         | * IN4151                         | FU'ITT'                           | 1       |
| D -004        | 4500020000             | IN4151                         | * IN4151                         | FU'ITT'                           | 1       |
| D -005        | 4500020000             | IN4151                         | * IN4151                         | FU'ITT'                           | 1       |
| D -006        | 4600040000             | ZP05,6                         | * ZP05,6                         | ITT                               | 1       |
| D -007        | 4500020000             | IN4151                         | * IN4151                         | FU'ITT'                           | 1       |
| D -008        | 4600440000             | LM 336 BZ 2,5U                 | * LM 336 BZ 2,5U                 | NS                                | 1       |
| D -009        | 4500040000             | IN4004                         | * IN4004                         | ITT                               | 1       |
| D -010        | 4500040000             | IN4004                         | * IN4004                         | ITT                               | 1       |
| D -011        | 4500040000             | IN4004                         | * IN4004                         | ITT                               | 1       |
| D -012        | 4500040000             | IN4004                         | * IN4004                         | ITT                               | 1       |
| D -013        | 4500040000             | IN4004                         | * IN4004                         | ITT                               | 1       |
| D -014        | 4500040000             | IN4004                         | * IN4004                         | ITT                               | 1       |
| D -015        | 4500050000             | BY 251                         | * BY 251                         | ITT                               | 1       |
| D -016        | 4500050000             | BY 251                         | * BY 251                         | ITT                               | 1       |
| D -017        | 4500050000             | BY 251                         | * BY 251                         | ITT                               | 1       |
| D -018        | 4500050000             | BY 251                         | * BY 251                         | ITT                               | 1       |
| D -019        | 4500050000             | BY 251                         | * BY 251                         | ITT                               | 1       |
| D -020        | 4500050000             | BY 251                         | * BY 251                         | ITT                               | 1       |
| D -021        | 4600050000             | ZPD 6,2                        | * ZPD 6,2                        | ITT                               | 1       |
| D -022        | 4500020000             | IN4151                         | * IN4151                         | FU'ITT'                           | 1       |
| D -023        | 4500040000             | IN4004                         | * IN4004                         | ITT                               | 1       |
| D -024        | 4500040000             | IN4004                         | * IN4004                         | ITT                               | 1       |
| D -025        | 4500310000             | I N 4448                       | * I N 4448                       | ITT                               | 1       |
| D -026        | 4500310000             | I N 4448                       | * I N 4448                       | ITT                               | 1       |
| L -001        | 0219720000             | 00 SELF 20MMH (EX 530336)      | * 00 SELF 20MMH (EX 530336)      | ADRET                             | 1       |
| P -001        | 2153100000             | 10K T05 CERMET T 7 YA          | * 10K T05 CERMET T 7 YA          | SFERNICE                          | 1       |
| P -002        | 2133100000             | 10K 3/4" 1ST CERMET 43 P       | * 10K 3/4" 1ST CERMET 43 P       | SPECTROL                          | 1       |
| P -003        | 2133100000             | 10K 3/4" 1ST CERMET 43 P       | * 10K 3/4" 1ST CERMET 43 P       | SPECTROL                          | 1       |
| Q -001        | 4300190000             | BC550C /414C/413C/549C(BC184C) | * BC550C /414C/413C/549C(BC184C) | RTC                               | 1       |
| Q -002        | 4300190000             | BC550C /414C/413C/549C(BC184C) | * BC550C /414C/413C/549C(BC184C) | RTC                               | 1       |
| Q -003        | 4300190000             | BC550C /414C/413C/549C(BC184C) | * BC550C /414C/413C/549C(BC184C) | RTC                               | 1       |
| Q -004        | 4300190000             | BC550C /414C/413C/549C(BC184C) | * BC550C /414C/413C/549C(BC184C) | RTC                               | 1       |
| Q -005        | 4300190000             | BC550C /414C/413C/549C(BC184C) | * BC550C /414C/413C/549C(BC184C) | RTC                               | 1       |
| Q -006        | 4300570000             | BC 327-25 T0 92 (2N2907)       | * BC 327-25 T0 92 (2N2907)       | ITT                               | 1       |
| Q -007        | 4300570000             | BC 327-25 T0 92 (2N2907)       | * BC 327-25 T0 92 (2N2907)       | ITT                               | 1       |
| Q -009        | 4300190000             | BC550C /414C/413C/549C(BC184C) | * BC550C /414C/413C/549C(BC184C) | RTC                               | 1       |
| Q -010        | 4300190000             | BC550C /414C/413C/549C(BC184C) | * BC550C /414C/413C/549C(BC184C) | RTC                               | 1       |
| Q -011        | 4300110000             | BC560C /416C/415C/559C(BC214C) | * BC560C /413C/415C/559C(BC214C) | RTC                               | 1       |
| Q -012        | 4300190000             | BC550C /414C/413C/549C(BC184C) | * BC550C /414C/413C/549C(BC184C) | RTC                               | 1       |
| Q -013        | 4300190000             | BC550C /414C/413C/549C(BC184C) | * BC550C /414C/413C/549C(BC184C) | RTC                               | 1       |
| Q -014        | 4300570000             | BC 327-25 T0 92 (2N2907)       | * BC 327-25 T0 92 (2N2907)       | ITT                               | 1       |
| Q -015        | 4300570000             | BC 327-25 T0 92 (2N2907)       | * BC 327-25 T0 92 (2N2907)       | ITT                               | 1       |
| Q -017        | 4300630000             | BD 678 A (EX 676)              | * BD 678 A (EX 676)              | MOTOROLA                          | 1       |
| Q -018        | 4300110000             | BC560C /416C/415C/559C(BC214C) | * BC560C /413C/415C/559C(BC214C) | RTC                               | 1       |
| Q -019        | 4300590000             | BD 677 TO 126 (EX 675)         | * BD 677 TO 126 (EX 675)         | MOTOROLA                          | 1       |
| Q -020        | 4300630000             | BD 678 A (EX 676)              | * BD 678 A (EX 676)              | MOTOROLA                          | 1       |
| Q -021        | 4300110000             | BC560C /416C/415C/559C(BC214C) | * BC560C /413C/415C/559C(BC214C) | RTC                               | 1       |
| Q -022        | 4300590000             | BD 677 TO 126 (EX 675)         | * BD 677 TO 126 (EX 675)         | MOTOROLA                          | 1       |
| Q -025        | 4200480000             | LM 317 T REGUL POSITIVE TO 220 | * LM 317 T POSITIVE REGUL TO 220 | NS                                | 1       |
| Q -026        | 4200480000             | LM 317 T REGUL POSITIVE TO 220 | * LM 317 T POSITIVE REGUL TO 220 | NS                                | 1       |
| R -001        | 2500216900             | 16K9 * 1% 0,3 W SMA207         | * 16K9 * 1% 0,3 W SMA207         | DRALORIC                          | 1       |
| R -002        | 2500210000             | 10K0 * 1% 0,3 W SMA207         | * 10K0 * 1% 0,3 W SMA207         | DRALORIC                          | 1       |

\*\*\*\*\* 0274660100 06 REDRESSEUR REGULATION 740A \* 06 POWER SUPPLY BOARD ... 740A F92... --098C97 \* \*\*\*\*\*

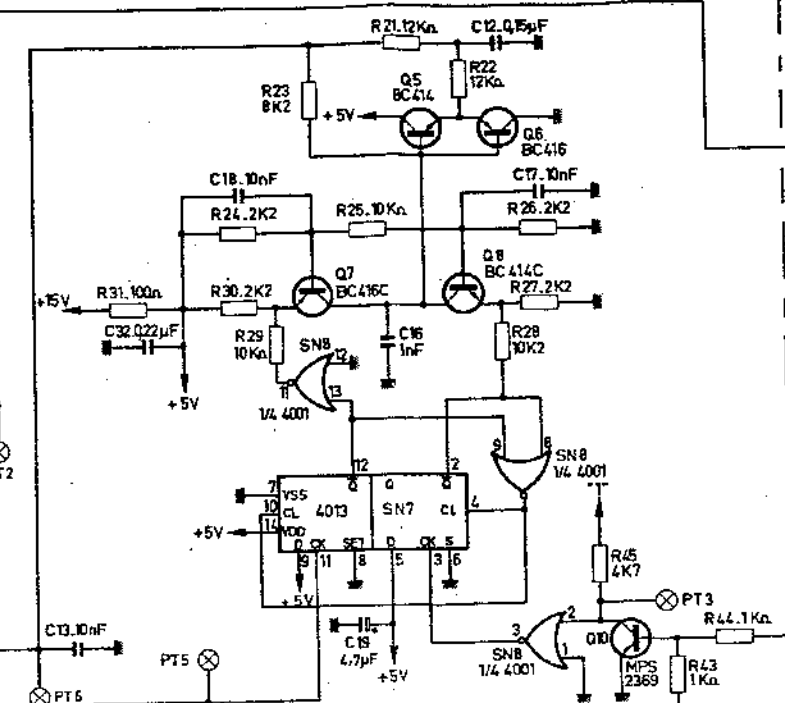
| REPERE INDEXE | REF. ADRET PART NUMBER | DESCRIPTION                    | PART DESCRIPTION                     | FOURNISSEUR/PLAN SUPPLIER/DRAWING | QTE QTY |
|---------------|------------------------|--------------------------------|--------------------------------------|-----------------------------------|---------|
| R -003        | 2210041800             | 180K                           | 5% N4 * 180K                         | 5% N4 SOUCOR                      | 1       |
| R -004        | 2210012200             | 220R                           | 5% N4 * 220R                         | 5% N4 SOUCOR                      | 1       |
| R -005        | 2210016800             | 680R                           | 5% N4 * 680R                         | 5% N4 SOUCOR                      | 1       |
| R -006        | 2210021000             | 1K0                            | 5% N4 * 1K0                          | 5% N4 SOUCOR                      | 1       |
| R -007        | 2210024700             | 4K7                            | 5% N4 * 4K7                          | 5% N4 SOUCOR                      | 1       |
| R -008        | 2210031000             | 10K                            | 5% N4 * 10K                          | 5% N4 SOUCOR                      | 1       |
| R -009        | 2210018200             | 820R                           | 5% N4 * 820R                         | 5% N4 SOUCOR                      | 1       |
| R -010        | 2210043300             | 330K                           | 5% N4 * 330K                         | 5% N4 SOUCOR                      | 1       |
| R -011        | 2210024700             | 4K7                            | 5% N4 * 4K7                          | 5% N4 SOUCOR                      | 1       |
| R -012        | 2210021500             | 1K5                            | 5% N4 * 1K5                          | 5% N4 SOUCOR                      | 1       |
| R -013        | 2210021000             | 1K0                            | 5% N4 * 1K0                          | 5% N4 SOUCOR                      | 1       |
| R -014        | 2210014700             | 470R                           | 5% N4 * 470R                         | 5% N4 SOUCOR                      | 1       |
| R -015        | 2500122600             | 2K26 * 1% 0,3 W                | SMA207 * 2K26 * 1% 0,3 W             | SMA207 DRALORIC                   | 1       |
| R -016        | 2500121500             | 2K15 * 1% 0,3 W                | SMA207 * 2K15 * 1% 0,3 W             | SMA207 DRALORIC                   | 1       |
| R -017        | 2210034700             | 47K                            | 5% N4 * 47K                          | 5% N4 SOUCOR                      | 1       |
| R -018        | 2210011000             | 100R                           | 5% N4 * 100R                         | 5% N4 SOUCOR                      | 1       |
| R -019        | 2210014700             | 470R                           | 5% N4 * 470R                         | 5% N4 SOUCOR                      | 1       |
| R -020        | 2800081800             | OR18 4N 10% BOB                | RWM 4X10 * OR18 4N 10% BOB           | RWM 4X10 SFERNICE                 | 1       |
| R -021        | 2210021500             | 1K5                            | 5% N4 * 1K5                          | 5% N4 SOUCOR                      | 1       |
| R -022        | 2210033300             | 33K                            | 5% N4 * 33K                          | 5% N4 SOUCOR                      | 1       |
| R -023        | 2210036800             | 68K                            | 5% N4 * 68K                          | 5% N4 SOUCOR                      | 1       |
| R -024        | 2210031000             | 10K                            | 5% N4 * 10K                          | 5% N4 SOUCOR                      | 1       |
| R -025        | 2210014700             | 470R                           | 5% N4 * 470R                         | 5% N4 SOUCOR                      | 1       |
| R -026        | 2500160400             | 6K04 * 1% 0,3 W                | SMA207 * 6K04 * 1% 0,3 W             | SMA207 DRALORIC                   | 1       |
| R -027        | 2500112700             | 1K27 * 1% 0,3 W                | SMA207 * 1K27 * 1% 0,3 W             | SMA207 DRALORIC                   | 1       |
| R -028        | 2210021500             | 1K5                            | 5% N4 * 1K5                          | 5% N4 SOUCOR                      | 1       |
| R -029        | 2210021000             | 1K0                            | 5% N4 * 1K0                          | 5% N4 SOUCOR                      | 1       |
| R -030        | 2500120500             | 2K05 * 1% 0,3 W                | SMA207 * 2K05 * 1% 0,3 W             | SMA207 DRALORIC                   | 1       |
| R -031        | 2500120500             | 2K05 * 1% 0,3 W                | SMA207 * 2K05 * 1% 0,3 W             | SMA207 DRALORIC                   | 1       |
| R -032        | 2210014700             | 470R                           | 5% N4 * 470R                         | 5% N4 SOUCOR                      | 1       |
| R -033        | 2210011000             | 100R                           | 5% N4 * 100R                         | 5% N4 SOUCOR                      | 1       |
| R -034        | 2800081800             | OR18 4N 10% BOB                | RWM 4X10 * OR18 4N 10% BOB           | RWM 4X10 SFERNICE                 | 1       |
| R -035        | 2500224900             | 24K9 * 1% 0,3 W                | SMA207 * 24K9 * 1% 0,3 W             | SMA207 DRALORIC                   | 1       |
| R -036        | 2500023700             | 237R * 1% 0,3 W                | SMA207 * 237R * 1% 0,3 W             | SMA207 DRALORIC                   | 1       |
| R -037        | 2500127400             | 2K74 * 1% 0,3 W                | SMA207 * 2K74 * 1% 0,3 W             | SMA207 DRALORIC                   | 1       |
| R -038        | 2500224900             | 24K9 * 1% 0,3 W                | SMA207 * 24K9 * 1% 0,3 W             | SMA207 DRALORIC                   | 1       |
| R -039        | 2500023700             | 237R * 1% 0,3 W                | SMA207 * 237R * 1% 0,3 W             | SMA207 DRALORIC                   | 1       |
| R -040        | 2500127400             | 2K74 * 1% 0,3 W                | SMA207 * 2K74 * 1% 0,3 W             | SMA207 DRALORIC                   | 1       |
| R -041        | 2500126100             | 2K61 * 1% 0,3 W                | SMA207 * 2K61 * 1% 0,3 W             | SMA207 DRALORIC                   | 1       |
| R -042        | 2500023700             | 237R * 1% 0,3 W                | SMA207 * 237R * 1% 0,3 W             | SMA207 DRALORIC                   | 1       |
| R -043        | 2210044700             | 470K                           | 5% N4 * 470K                         | 5% N4 SOUCOR                      | 1       |
| R -044        | 2210038200             | 82K                            | 5% N4 * 82K                          | 5% N4 SOUCOR                      | 1       |
| R -046        | 2210024700             | 4K7                            | 5% N4 * 4K7                          | 5% N4 SOUCOR                      | 1       |
| R -048        | 2210024700             | 4K7                            | 5% N4 * 4K7                          | 5% N4 SOUCOR                      | 1       |
| R -049        | 2500071500             | 715R * 1% 0,3 W                | SMA207 * 715R * 1% 0,3 W             | SMA207 DRALORIC                   | 1       |
| R -050        | 2500023700             | 237R * 1% 0,3 W                | SMA207 * 237R * 1% 0,3 W             | SMA207 DRALORIC                   | 1       |
| R -051        | 2210022200             | 2K2                            | 5% N4 * 2K2                          | 5% N4 SOUCOR                      | 1       |
| R -052        | 2210022200             | 2K2                            | 5% N4 * 2K2                          | 5% N4 SOUCOR                      | 1       |
| R -053        | 2210022200             | 2K2                            | 5% N4 * 2K2                          | 5% N4 SOUCOR                      | 1       |
| R -054        | 2210022200             | 2K2                            | 5% N4 * 2K2                          | 5% N4 SOUCOR                      | 1       |
| SN -001       | 4160400100             | C-MOS 4001                     | * C-MOS 4001                         | RTC                               | 1       |
| SN -002       | 4160400100             | C-MOS 4001                     | * C-MOS 4001                         | RTC                               | 1       |
| SN -003       | 4000200000             | COUPLEUR OPTO 4N26             | * OPTO COUPLER 4N26                  | MOTOROLA                          | 1       |
| Z1            | 1274660500             | CI REDRESSEUR REGULATION 740A  | * REGULATION RECTIFIER PC . 740A     | E997466.....                      | 1       |
| Z1            | 1400109900             | POINT TEST                     | * TEST POINT                         | C940850                           | 4       |
| Z6            | 6108010400             | ACF 2,5X4 BOMBEE TAPITE CRUCI  | * STE 2.5X4 CURVED TAPITE CRUCI      | GAUBIN DAUDE                      | 2       |
| Z6            | 6143031200             | TCHC M3X12 U DIN912-5,6 INOX   | * TCHC M3X12 U DIN912-5.6 INOX       | BD                                | 2       |
| Z6            | 6200030000             | ECROU H M3 U NF E27-411-5 INOX | * NUT H M3 U NF E27-411-5 INOX       | BD                                | 2       |
| Z6            | 6305030000             | ACI 3 CONTACT REF 55-03-01     | * STEEL 3 CONTACT REF 55-03-01       | NOMEL                             | 2       |
| Z6            | 6401090000             | COSSE FASTON 6,3 3866C ARGENTE | * FASTON LUG 6.3 3866C SILVERED      | TH FRANCE                         | 2       |
| Z8            | 0280080264             | RADIATEUR REGULAT. LM317 740A  | * LM317 REGUL. DISSIPATOR . 740A B94 |                                   | 40      |

AL

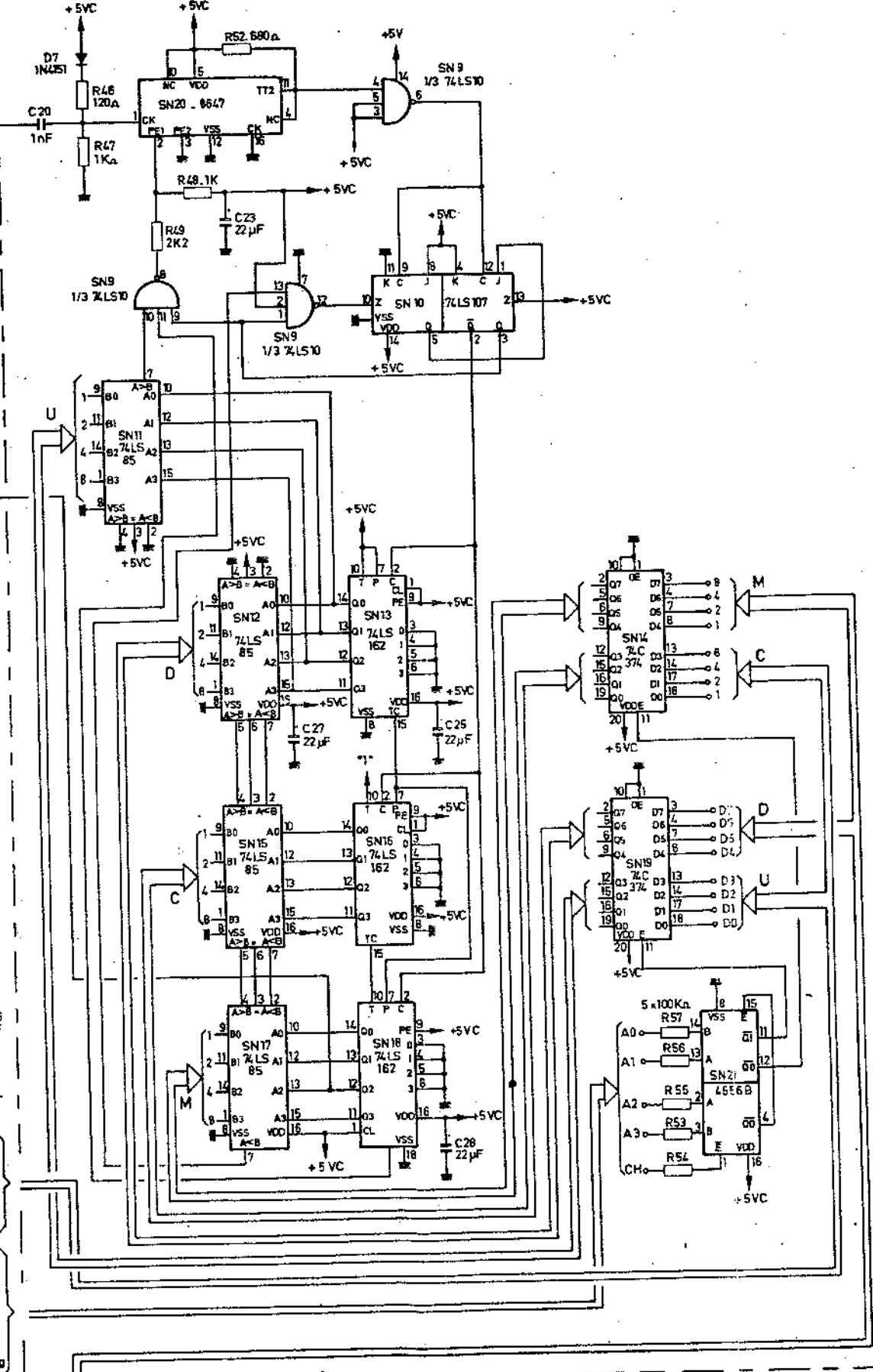
OSCILLATEUR 80 à 120 MHz  
80 to 120MHz OSCILLATOR



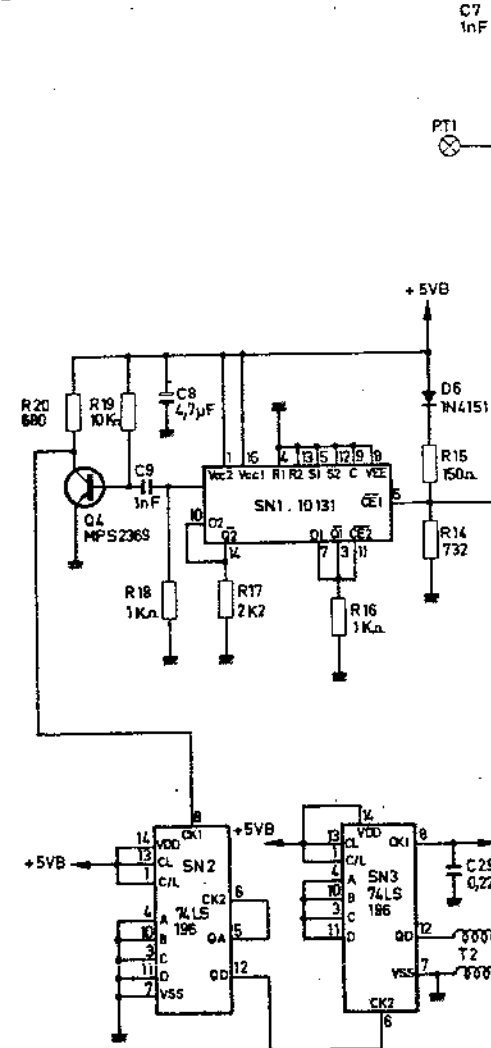
CPF 4KHz  
4KHz PFC



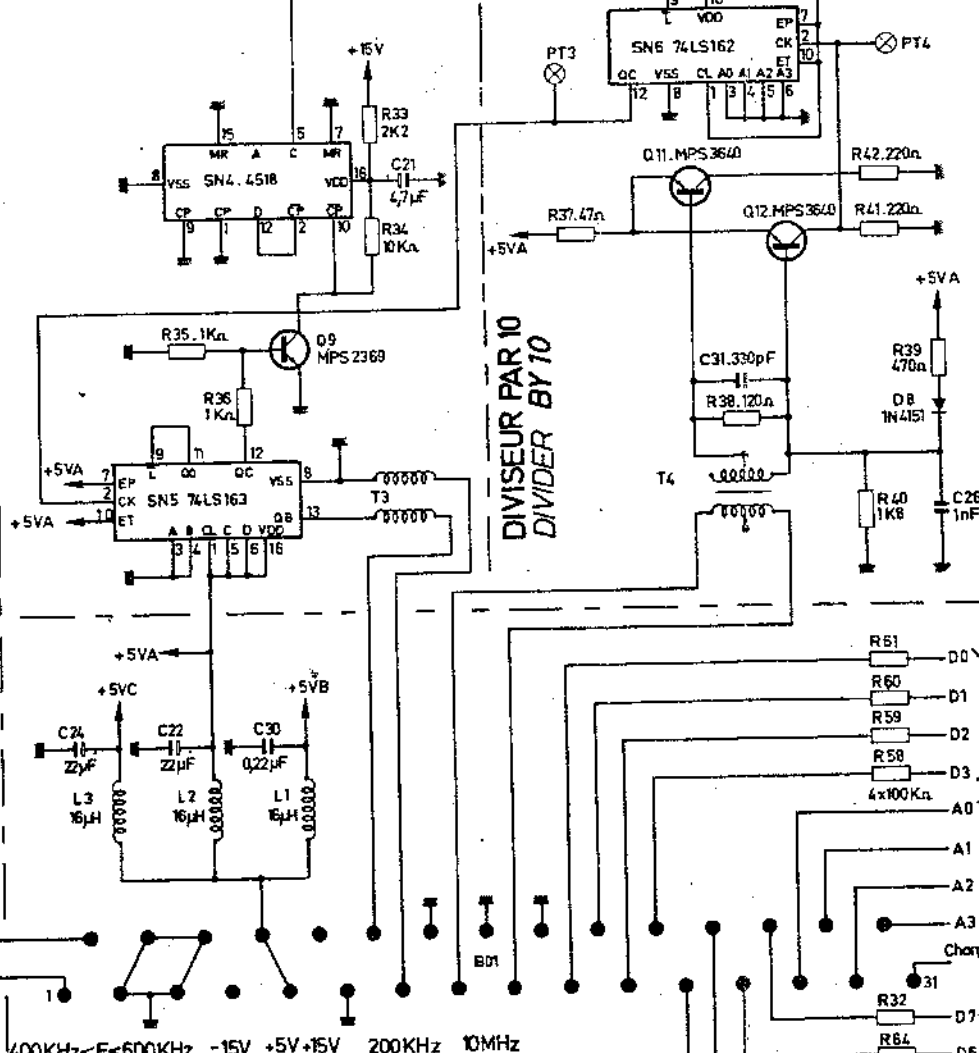
COMPTEUR 20000 à 30000  
20000 to 30000 COUNTER



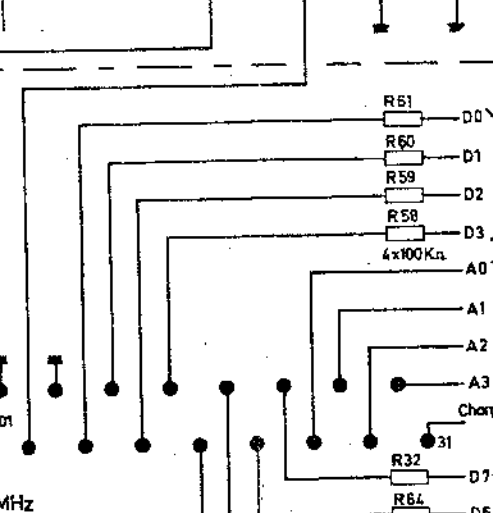
DIVISEUR PAR 200  
DIVIDER BY 200



SORTIE 200KHz  
200KHz OUTPUT

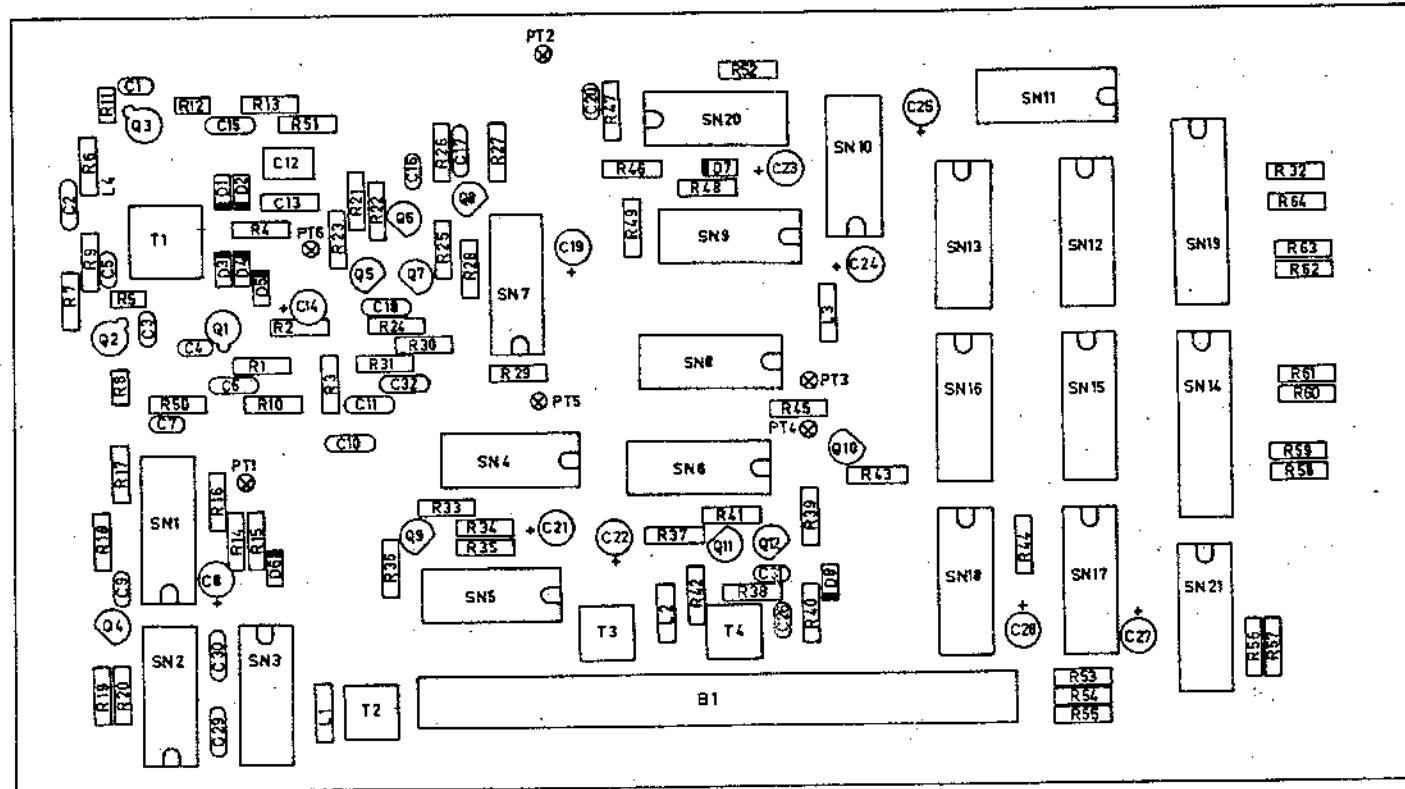


DIVISEUR PAR 10  
DIVIDER BY 10



400KHz < F < 600KHz -15V +5V +15V 200KHz 10MHz

|  |        |                          |        |
|--|--------|--------------------------|--------|
| <b>ADRET ELECTRONIQUE</b>  |        |                          |        |
| CE DOCUMENT NE PEUT ETRE COMMUNIQUE NI REPRODUIT SANS AUTORISATION |        |                          |        |
| <b>DIX MILLAIRE</b>  |        | <b>10000 STEPS BOARD</b> |        |
| DATE: 15 05 84   | ETUDE: | DESSIN:                  | VERIF: |
| D 9 7 0 2 7 4 7 5 0 0 0 0  |        |                          |        |



|   |       |  |                                  |
|---|-------|--|----------------------------------|
| <b>ADRET ELECTRONIQUE</b>   |       | <small>12, 14, 16, 18, 20, 22, 24, 26, 28, 30, 32, 34, 36, 38, 40, 42, 44, 46, 48, 50, 52, 54, 56, 58, 60, 62, 64, 66, 68, 70, 72, 74, 76, 78, 80, 82, 84, 86, 88, 90, 92, 94, 96, 98, 100</small> |                                  |
| CE DOCUMENT NE RESTE ETRE CONSULTÉ QU'APRÈS AVOIR OBTENU L'AUTORISATION |       |  |                                  |
| <b>DIX MILLADE</b>  |       | <b>10000 STEPS BOARD</b>   |                                  |
| DATE: 28/06/84  | ETUDE | DESIGN   | VERIFIE                          |
|   |       |  | <b>D 9 7 0 2 7 4 7 5 0 0 0 0</b> |

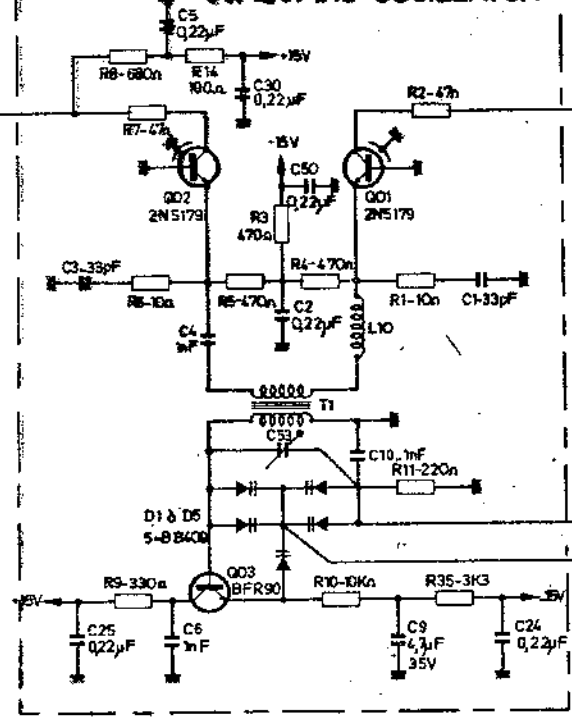
| REPERE<br>INDEXE | REF.<br>PART | ADRET<br>NUMBER                | DESCRIPTION           | PART DESCRIPTION                  | FOURNISSEUR/PLAN<br>SUPPLIER/DRAWING | QTE<br>QTY |
|------------------|--------------|--------------------------------|-----------------------|-----------------------------------|--------------------------------------|------------|
| B -001           | 1431001300   | TM 31 MCIG                     | ..... MALE*CARTE*     | * TM 31 MCIG                      | ..... TREC                           | 1          |
| C -001           | 3120003300   | 33PF 2,5                       | 2222 680 10 339       | * 33PF 2,5 2222 680 10 339        | COGECO                               | 1          |
| C -002           | 3150042200   | 0,22MMF 5                      | 50U20% 3439050 E224M  | * 0,22MMF 5 50U20% 3439050 E224M  | AUX                                  | 1          |
| C -003           | 3120003300   | 33PF 2,5                       | 2222 680 10 339       | * 33PF 2,5 2222 680 10 339        | COGECO                               | 1          |
| C -004           | 3120021000   | 1 NF 2,5                       | 2222 630 51 102       | * 1 NF 2,5 2222 630 51 102        | COGECO                               | 1          |
| C -005           | 3120021000   | 1 NF 2,5                       | 2222 630 51 102       | * 1 NF 2,5 2222 630 51 102        | COGECO                               | 1          |
| C -006           | 3150042200   | 0,22MMF 5                      | 50U20% 3439050 E224M  | * 0,22MMF 5 50U20% 3439050 E224M  | AUX                                  | 1          |
| C -007           | 3120021000   | 1 NF 2,5                       | 2222 630 51 102       | * 1 NF 2,5 2222 630 51 102        | COGECO                               | 1          |
| C -008           | 3700100000   | 4,7MMF/35V 5,08                | .. STAND L TAG        | * 4,7MMF/35V 5,08 .. STAND L TAG  | STC                                  | 1          |
| C -009           | 3120021000   | 1 NF 2,5                       | 2222 630 51 102       | * 1 NF 2,5 2222 630 51 102        | COGECO                               | 1          |
| C -010           | 3150042200   | 0,22MMF 5                      | 50U20% 3439050 E224M  | * 0,22MMF 5 50U20% 3439050 E224M  | AUX                                  | 1          |
| C -011           | 3150042200   | 0,22MMF 5                      | 50U20% 3439050 E224M  | * 0,22MMF 5 50U20% 3439050 E224M  | AUX                                  | 1          |
| C -012           | 3234150300   | 0,15MMF 5,08 10%               | IRD807                | * 0,15MMF 5,08 10% IRD807         | LCC                                  | 1          |
| C -013           | 3233100300   | 10NF 5,08 10%                  | IRD607                | * 10NF 5,08 10% IRD607            | LCC                                  | 1          |
| C -014           | 3700100000   | 4,7MMF/35V 5,08                | .. STAND L TAG        | * 4,7MMF/35V 5,08 .. STAND L TAG  | STC                                  | 1          |
| C -015           | 3150042200   | 0,22MMF 5                      | 50U20% 3439050 E224M  | * 0,22MMF 5 50U20% 3439050 E224M  | AUX                                  | 1          |
| C -016           | 3120021000   | 1 NF 2,5                       | 2222 630 51 102       | * 1 NF 2,5 2222 630 51 102        | COGECO                               | 1          |
| C -017           | 3150031000   | 10NF 5,08 63V                  | GOX 767 14            | * 10NF 5,08 63V GOX 767 14        | LCC                                  | 1          |
| C -018           | 3150031000   | 10NF 5,08 63V                  | GOX 767 14            | * 10NF 5,08 63V GOX 767 14        | LCC                                  | 1          |
| C -019           | 3700100000   | 4,7MMF/35V 5,08                | .. STAND L TAG        | * 4,7MMF/35V 5,08 .. STAND L TAG  | STC                                  | 1          |
| C -020           | 3120021000   | 1 NF 2,5                       | 2222 630 51 102       | * 1 NF 2,5 2222 630 51 102        | COGECO                               | 1          |
| C -021           | 3700100000   | 4,7MMF/35V 5,08                | .. STAND L TAG        | * 4,7MMF/35V 5,08 .. STAND L TAG  | STC                                  | 1          |
| C -022           | 3700180000   | 22MMF/16V 5,08                 | .. STAND L TAG        | * 22MMF/16V 5,08 .. STAND L TAG   | STC                                  | 1          |
| C -023           | 3700180000   | 22MMF/16V 5,08                 | .. STAND L TAG        | * 22MMF/16V 5,08 .. STAND L TAG   | STC                                  | 1          |
| C -024           | 3700180000   | 22MMF/16V 5,08                 | .. STAND L TAG        | * 22MMF/16V 5,08 .. STAND L TAG   | STC                                  | 1          |
| C -025           | 3700180000   | 22MMF/16V 5,08                 | .. STAND L TAG        | * 22MMF/16V 5,08 .. STAND L TAG   | STC                                  | 1          |
| C -026           | 3120021000   | 1 NF 2,5                       | 2222 630 51 102       | * 1 NF 2,5 2222 630 51 102        | COGECO                               | 1          |
| C -027           | 3700180000   | 22MMF/16V 5,08                 | .. STAND L TAG        | * 22MMF/16V 5,08 .. STAND L TAG   | STC                                  | 1          |
| C -028           | 3700180000   | 22MMF/16V 5,08                 | .. STAND L TAG        | * 22MMF/16V 5,08 .. STAND L TAG   | STC                                  | 1          |
| C -029           | 3150042200   | 0,22MMF 5                      | 50U20% 3439050 E224M  | * 0,22MMF 5 50U20% 3439050 E224M  | AUX                                  | 1          |
| C -030           | 3150042200   | 0,22MMF 5                      | 50U20% 3439050 E224M  | * 0,22MMF 5 50U20% 3439050 E224M  | AUX                                  | 1          |
| C -031           | 3120013300   | 330PF 2,5                      | N33 2222 680 58 331   | * 330PF 2,5 N33 2222 680 58 331   | COGECO                               | 1          |
| C -032           | 3150042200   | 0,22MMF 5                      | 50U20% 3439050 E224M  | * 0,22MMF 5 50U20% 3439050 E224M  | AUX                                  | 1          |
| D -001           | 4500600000   | BB 809                         | .....                 | * BB 809                          | RTC                                  | 1          |
| D -002           | 4500600000   | BB 809                         | .....                 | * BB 809                          | RTC                                  | 1          |
| D -003           | 4500600000   | BB 809                         | .....                 | * BB 809                          | RTC                                  | 1          |
| D -004           | 4500600000   | BB 809                         | .....                 | * BB 809                          | RTC                                  | 1          |
| D -005           | 4500600000   | BB 809                         | .....                 | * BB 809                          | RTC                                  | 1          |
| D -006           | 4500020000   | IN4151                         | .....                 | * IN4151                          | FU'ITT'                              | 1          |
| D -007           | 4500020000   | IN4151                         | .....                 | * IN4151                          | FU'ITT'                              | 1          |
| D -008           | 4500020000   | IN4151                         | .....                 | * IN4151                          | FU'ITT'                              | 1          |
| L -001           | 0219720000   | 00 SELF 20MMH                  | ..... (EX 530336)     | * 00 SELF 20MMH ..... (EX 530336) | ADRET                                | 1          |
| L -002           | 0219720000   | 00 SELF 20MMH                  | ..... (EX 530336)     | * 00 SELF 20MMH ..... (EX 530336) | ADRET                                | 1          |
| L -003           | 0219720000   | 00 SELF 20MMH                  | ..... (EX 530336)     | * 00 SELF 20MMH ..... (EX 530336) | ADRET                                | 1          |
| Q -001           | 4300250000   | BFR 90                         | POINT MARRON C.ENTREE | * BFR 90 INPUT CHECK BROWN POINT  | RTC                                  | 1          |
| Q -002           | 4300720000   | BFY 90                         | .....                 | * BFY 90                          | RTC                                  | 1          |
| Q -003           | 4300720000   | BFY 90                         | .....                 | * BFY 90                          | RTC                                  | 1          |
| Q -004           | 4300150000   | MPS 2369                       | .....                 | * MPS 2369                        | MOTOROLA                             | 1          |
| Q -005           | 4300190000   | BC550C /414C/413C/549C(BC184C) | .....                 | * BC550C /414C/413C/549C(BC184C)  | RTC                                  | 1          |
| Q -006           | 4300110000   | BC560C /416C/415C/559C(BC214C) | .....                 | * BC560C /413C/415C/559C(BC214C)  | RTC                                  | 1          |
| Q -007           | 4300110000   | BC560C /416C/415C/559C(BC214C) | .....                 | * BC560C /413C/415C/559C(BC214C)  | RTC                                  | 1          |
| Q -008           | 4300190000   | BC550C /414C/413C/549C(BC184C) | .....                 | * BC550C /414C/413C/549C(BC184C)  | RTC                                  | 1          |
| Q -009           | 4300150000   | MPS 2369                       | .....                 | * MPS 2369                        | MOTOROLA                             | 1          |
| Q -010           | 4300150000   | MPS 2369                       | .....                 | * MPS 2369                        | MOTOROLA                             | 1          |
| Q -011           | 4300600000   | MPS 3640                       | .....                 | * MPS 3640                        | MOTOROLA                             | 1          |
| Q -012           | 4300600000   | MPS 3640                       | .....                 | * MPS 3640                        | MOTOROLA                             | 1          |
| R -001           | 2210013300   | 330R                           | 5% N4                 | * 330R 5% N4                      | SOUCOR                               | 1          |
| R -002           | 2210031000   | 10K                            | 5% N4                 | * 10K 5% N4                       | SOUCOR                               | 1          |
| R -003           | 2210023300   | 3K3                            | 5% N4                 | * 3K3 5% N4                       | SOUCOR                               | 1          |
| R -004           | 2210031200   | 12K                            | 5% N4                 | * 12K 5% N4                       | SOUCOR                               | 1          |
| R -005           | 2905001000   | 10R 5,08 CC                    | 5% NK3                | * 10R 5,08 CC 5% NK3              | SOUCOR                               | 1          |
| R -006           | 2210014700   | 470R                           | 5% N4                 | * 470R 5% N4                      | SOUCOR                               | 1          |
| R -007           | 2210014700   | 470R                           | 5% N4                 | * 470R 5% N4                      | SOUCOR                               | 1          |
| R -008           | 2905004700   | 47R 5,08 CC                    | 5% NK3                | * 47R 5,08 CC 5% NK3              | SOUCOR                               | 1          |
| R -009           | 2210014700   | 470R                           | 5% N4                 | * 470R 5% N4                      | SOUCOR                               | 1          |
| R -010           | 2210013300   | 330R                           | 5% N4                 | * 330R 5% N4                      | SOUCOR                               | 1          |
| R -011           | 2905001000   | 10R 5,08 CC                    | 5% NK3                | * 10R 5,08 CC 5% NK3              | SOUCOR                               | 1          |
| R -012           | 2905004700   | 47R 5,08 CC                    | 5% NK3                | * 47R 5,08 CC 5% NK3              | SOUCOR                               | 1          |
| R -013           | 2210015600   | 560R                           | 5% N4                 | * 560R 5% N4                      | SOUCOR                               | 1          |
| R -014           | 2500073200   | 732R                           | 1% 0,3 W SMA207       | * 732R 1% 0,3 W SMA207            | DRALORIC                             | 1          |
| R -015           | 2500015000   | 150R                           | 1% 0,3 W SMA207       | * 150R 1% 0,3 W SMA207            | DRALORIC                             | 1          |
| R -016           | 2210021000   | 1K0                            | 5% N4                 | * 1K0 5% N4                       | SOUCOR                               | 1          |
| R -017           | 2210022200   | 2K2                            | 5% N4                 | * 2K2 5% N4                       | SOUCOR                               | 1          |
| R -018           | 2210021000   | 1K0                            | 5% N4                 | * 1K0 5% N4                       | SOUCOR                               | 1          |
| R -019           | 2210031000   | 10K                            | 5% N4                 | * 10K 5% N4                       | SOUCOR                               | 1          |
| R -020           | 2210016800   | 680R                           | 5% N4                 | * 680R 5% N4                      | SOUCOR                               | 1          |
| R -021           | 2210031200   | 12K                            | 5% N4                 | * 12K 5% N4                       | SOUCOR                               | 1          |
| R -022           | 2210031200   | 12K                            | 5% N4                 | * 12K 5% N4                       | SOUCOR                               | 1          |
| R -023           | 2210028200   | 8K2                            | 5% N4                 | * 8K2 5% N4                       | SOUCOR                               | 1          |



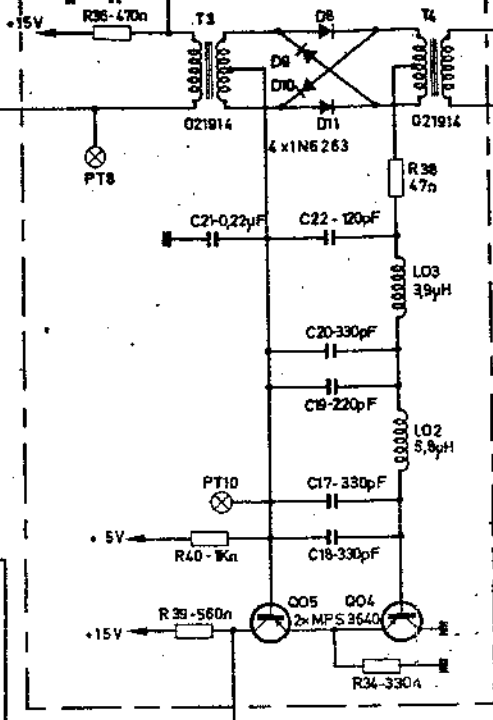
\*\*\*\*\*  
\*0274750000 03 CARTE DIX MILLADE .... 730A \* 03 10 000 STEPS BOARD ... 730A E92.....C98D97 \*  
\*\*\*\*\*

| REPERE INDEXE | REF. ADRET PART NUMBER | DESCRIPTION                     | PART DESCRIPTION               | FURNISSEUR/PLAN SUPPLIER/DRAWING | QTE QTY |
|---------------|------------------------|---------------------------------|--------------------------------|----------------------------------|---------|
| R -024        | 2210022200             | 2K2                             | 5% N4 * 2K2                    | 5% N4 SOUCOR                     | 1       |
| R -025        | 2210031000             | 10K                             | 5% N4 * 10K                    | 5% N4 SOUCOR                     | 1       |
| R -026        | 2210022200             | 2K2                             | 5% N4 * 2K2                    | 5% N4 SOUCOR                     | 1       |
| R -027        | 2210022200             | 2K2                             | 5% N4 * 2K2                    | 5% N4 SOUCOR                     | 1       |
| R -028        | 2210031000             | 10K                             | 5% N4 * 10K                    | 5% N4 SOUCOR                     | 1       |
| R -029        | 2210031000             | 10K                             | 5% N4 * 10K                    | 5% N4 SOUCOR                     | 1       |
| R -030        | 2210022200             | 2K2                             | 5% N4 * 2K2                    | 5% N4 SOUCOR                     | 1       |
| R -031        | 2210011000             | 100R                            | 5% N4 * 100R                   | 5% N4 SOUCOR                     | 1       |
| R -032        | 2210041000             | 100K                            | 5% N4 * 100K                   | 5% N4 SOUCOR                     | 1       |
| R -033        | 2210022200             | 2K2                             | 5% N4 * 2K2                    | 5% N4 SOUCOR                     | 1       |
| R -034        | 2210031000             | 10K                             | 5% N4 * 10K                    | 5% N4 SOUCOR                     | 1       |
| R -035        | 2210021000             | 1K0                             | 5% N4 * 1K0                    | 5% N4 SOUCOR                     | 1       |
| R -036        | 2210021000             | 1K0                             | 5% N4 * 1K0                    | 5% N4 SOUCOR                     | 1       |
| R -037        | 2210004700             | 47R                             | 5% N4 * 47R                    | 5% N4 SOUCOR                     | 1       |
| R -038        | 2210011200             | 120R                            | 5% N4 * 120R                   | 5% N4 SOUCOR                     | 1       |
| R -039        | 2210014700             | 470R                            | 5% N4 * 470R                   | 5% N4 SOUCOR                     | 1       |
| R -040        | 2210021800             | 1K8                             | 5% N4 * 1K8                    | 5% N4 SOUCOR                     | 1       |
| R -041        | 2210012200             | 220R                            | 5% N4 * 220R                   | 5% N4 SOUCOR                     | 1       |
| R -042        | 2210012200             | 220R                            | 5% N4 * 220R                   | 5% N4 SOUCOR                     | 1       |
| R -043        | 2210021000             | 1K0                             | 5% N4 * 1K0                    | 5% N4 SOUCOR                     | 1       |
| R -044        | 2210021000             | 1K0                             | 5% N4 * 1K0                    | 5% N4 SOUCOR                     | 1       |
| R -045        | 2210024700             | 4K7                             | 5% N4 * 4K7                    | 5% N4 SOUCOR                     | 1       |
| R -046        | 2210011200             | 120R                            | 5% N4 * 120R                   | 5% N4 SOUCOR                     | 1       |
| R -047        | 2210021000             | 1K0                             | 5% N4 * 1K0                    | 5% N4 SOUCOR                     | 1       |
| R -048        | 2210021000             | 1K0                             | 5% N4 * 1K0                    | 5% N4 SOUCOR                     | 1       |
| R -049        | 2210022200             | 2K2                             | 5% N4 * 2K2                    | 5% N4 SOUCOR                     | 1       |
| R -050        | 2210015600             | 560R                            | 5% N4 * 560R                   | 5% N4 SOUCOR                     | 1       |
| R -051        | 2210013300             | 330R                            | 5% N4 * 330R                   | 5% N4 SOUCOR                     | 1       |
| R -052        | 2210016800             | 680R                            | 5% N4 * 680R                   | 5% N4 SOUCOR                     | 1       |
| R -053        | 2210041000             | 100K                            | 5% N4 * 100K                   | 5% N4 SOUCOR                     | 1       |
| R -054        | 2210041000             | 100K                            | 5% N4 * 100K                   | 5% N4 SOUCOR                     | 1       |
| R -055        | 2210041000             | 100K                            | 5% N4 * 100K                   | 5% N4 SOUCOR                     | 1       |
| R -056        | 2210041000             | 100K                            | 5% N4 * 100K                   | 5% N4 SOUCOR                     | 1       |
| R -057        | 2210041000             | 100K                            | 5% N4 * 100K                   | 5% N4 SOUCOR                     | 1       |
| R -058        | 2210041000             | 100K                            | 5% N4 * 100K                   | 5% N4 SOUCOR                     | 1       |
| R -059        | 2210041000             | 100K                            | 5% N4 * 100K                   | 5% N4 SOUCOR                     | 1       |
| R -060        | 2210041000             | 100K                            | 5% N4 * 100K                   | 5% N4 SOUCOR                     | 1       |
| R -061        | 2210041000             | 100K                            | 5% N4 * 100K                   | 5% N4 SOUCOR                     | 1       |
| R -062        | 2210041000             | 100K                            | 5% N4 * 100K                   | 5% N4 SOUCOR                     | 1       |
| R -063        | 2210041000             | 100K                            | 5% N4 * 100K                   | 5% N4 SOUCOR                     | 1       |
| R -064        | 2210041000             | 100K                            | 5% N4 * 100K                   | 5% N4 SOUCOR                     | 1       |
| SN -001       | 4101013100             | MC 10131 P                      | MC 10131 P                     | MOTOROLA                         | 1       |
| SN -002       | 4157419600             | SN 74 LS 196 N 3                | SN 74 LS 196 N 3               | TEXAS                            | 1       |
| SN -003       | 4157419600             | SN 74 LS 196 N 3                | SN 74 LS 196 N 3               | TEXAS                            | 1       |
| SN -004       | 4160451800             | C-MOS 4518                      | C-MOS 4518                     | RTC                              | 1       |
| SN -005       | 4157416300             | SN 74 LS 163 N 3                | SN 74 LS 163 N 3               | TEXAS                            | 1       |
| SN -006       | 4157416200             | SN 74 LS 162 N 3                | SN 74 LS 162 N 3               | TEXAS                            | 1       |
| SN -007       | 4160401300             | C-MOS 4013                      | C-MOS 4013                     | RTC                              | 1       |
| SN -008       | 4160400100             | C-MOS 4001                      | C-MOS 4001                     | RTC                              | 1       |
| SN -009       | 4150741000             | SN 74 LS 10 N 3                 | SN 74 LS 10 N 3                | TEXAS                            | 1       |
| SN -010       | 4157410700             | SN 74 LS 107 AN 3               | SN 74 LS 107 AN 3              | TEXAS                            | 1       |
| SN -011       | 4150748500             | SN 74 LS 85 N 3                 | SN 74 LS 85 N 3                | TEXAS                            | 1       |
| SN -012       | 4150748500             | SN 74 LS 85 N 3                 | SN 74 LS 85 N 3                | TEXAS                            | 1       |
| SN -013       | 4157416200             | SN 74 LS 162 N 3                | SN 74 LS 162 N 3               | TEXAS                            | 1       |
| SN -014       | 4167437400             | C-MOS 74 C 374 N                | C-MOS 74 C 374 N               | NS                               | 1       |
| SN -015       | 4150748500             | SN 74 LS 85 N 3                 | SN 74 LS 85 N 3                | TEXAS                            | 1       |
| SN -016       | 4157416200             | SN 74 LS 162 N 3                | SN 74 LS 162 N 3               | TEXAS                            | 1       |
| SN -017       | 4150748500             | SN 74 LS 85 N 3                 | SN 74 LS 85 N 3                | TEXAS                            | 1       |
| SN -018       | 4157416200             | SN 74 LS 162 N 3                | SN 74 LS 162 N 3               | TEXAS                            | 1       |
| SN -019       | 4167437400             | C-MOS 74 C 374 N                | C-MOS 74 C 374 N               | NS                               | 1       |
| SN -020       | 4100864700             | SP 8647 B                       | SP 8647 B                      | PLESSEY                          | 1       |
| SN -021       | 4160455600             | C-MOS 4556                      | C-MOS 4556                     | RTC                              | 1       |
| T -001        | 0219130000             | 00 F100(10X10) 0.8X4 SPIRE 740  | 00 F100(10X10) 0.8X4 TURNS 740 | Z94 F100.....5                   | 1       |
| T -002        | 0219140000             | 02 BOUTON H20 3+3X3+3 SPIRES    | 02 BUTTON H20 3+3X3+3 TURNS    | Z94 BH20.....12                  | 1       |
| T -003        | 0219140000             | 02 BOUTON H20 3+3X3+3 SPIRES    | 02 BUTTON H20 3+3X3+3 TURNS    | Z94 BH20.....12                  | 1       |
| T -004        | 0219140000             | 02 BOUTON H20 3+3X3+3 SPIRES    | 02 BUTTON H20 3+3X3+3 TURNS    | Z94 BH20.....12                  | 1       |
| Z1            | 1100600000             | FIL CUIURE EMAIL SOUD. 60/100E  | THREAD 60/100E                 | ELECTROFIL                       | 0       |
| Z1            | 1274750500             | 01 DIX MILLADE ..... 730A       | 10 000 STEPS PC ..... 730A     | F997475.....TM                   | 1       |
| Z1            | 1400109900             | POINT TEST                      | TEST POINT                     | C940850                          | 6       |
| Z4            | 4900300000             | 20 SUPPORT C.I. DIL J23-5020    | 20 CONNECTOR P.C. DIL J23-5020 | JERMYN                           | 2       |
| Z8            | 8108071000             | FROTTEUR CONTACT MASSE '2' 740A | GROUND CONTACT WIPER '2' 740A  |                                  | 2       |

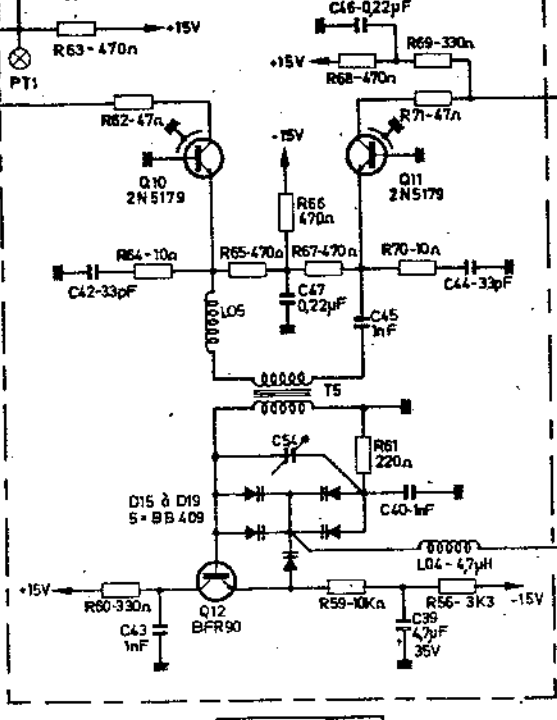
**OSCILLATEUR 80/120MHz**  
80/120MHz OSCILLATOR



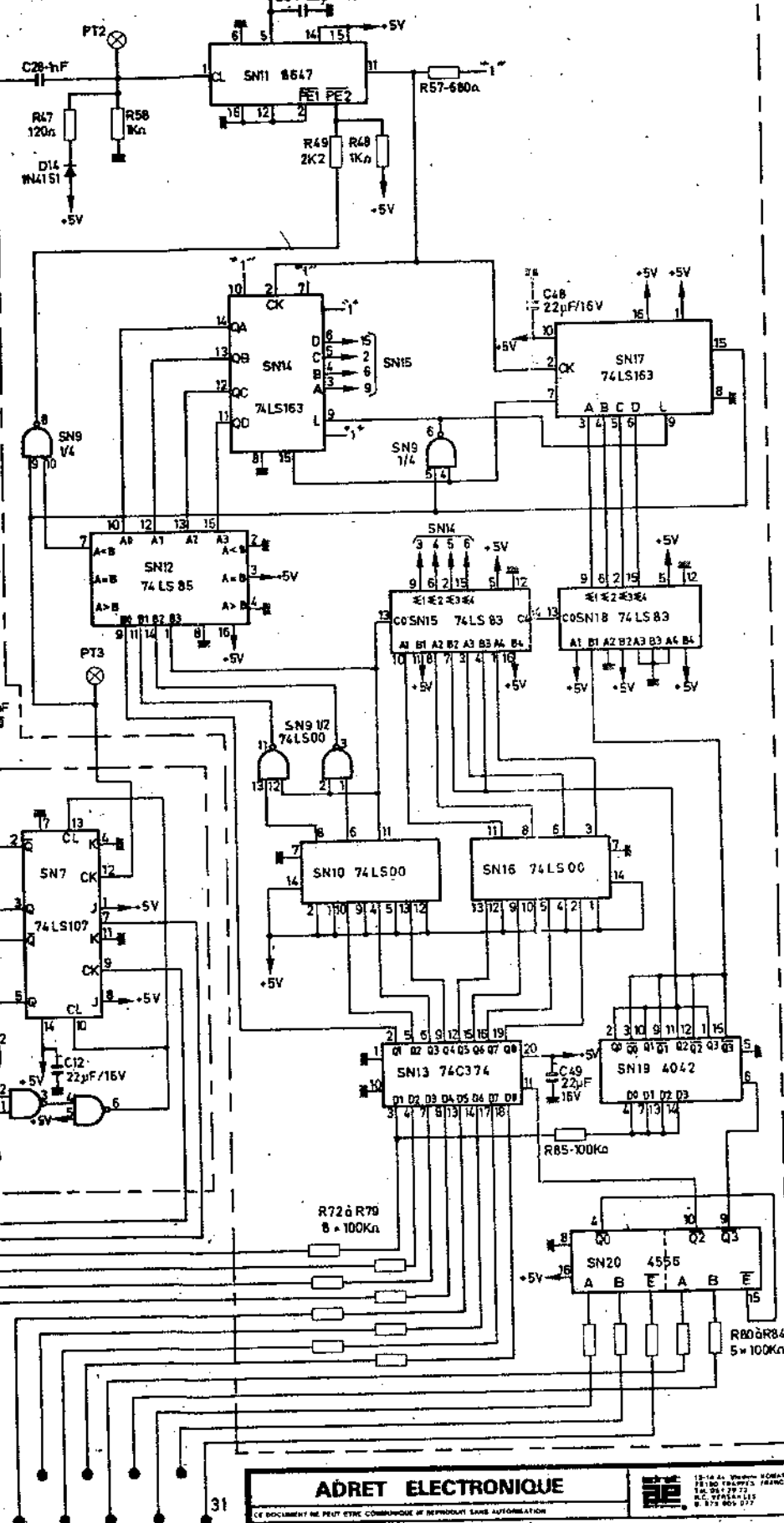
**MELANGEUR MIXER**



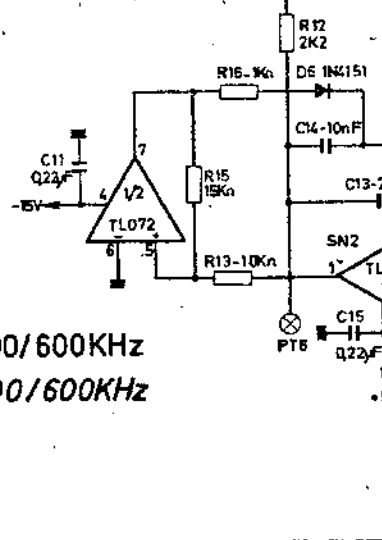
**OSCILLATEUR 79,6/119,4MHz**  
79,6/119,4MHz OSCILLATOR



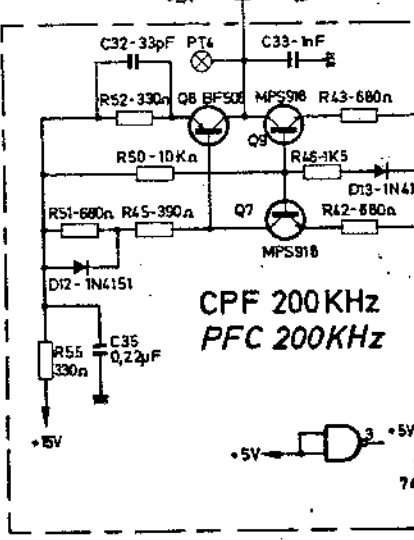
**COMPTEUR 398 / 597**  
398 / 597 COUNTER



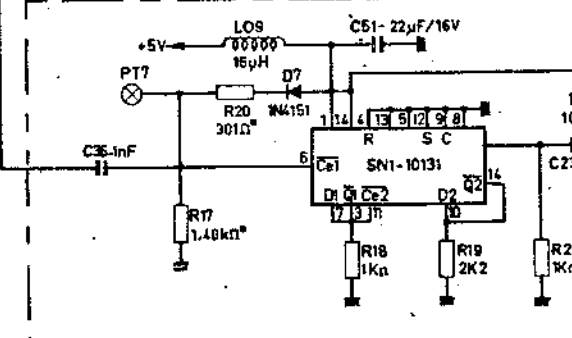
**CPF 400/600KHz**  
PFC 400/600KHz



**CPF 200KHz**  
PFC 200KHz



**DIVISEUR**  
DIVIDER



**ADRET ELECTRONIQUE**

CE DOCUMENT NE PEUT ETRE COMMUNIQUE NI REPRODUIT SANS AUTORISATION

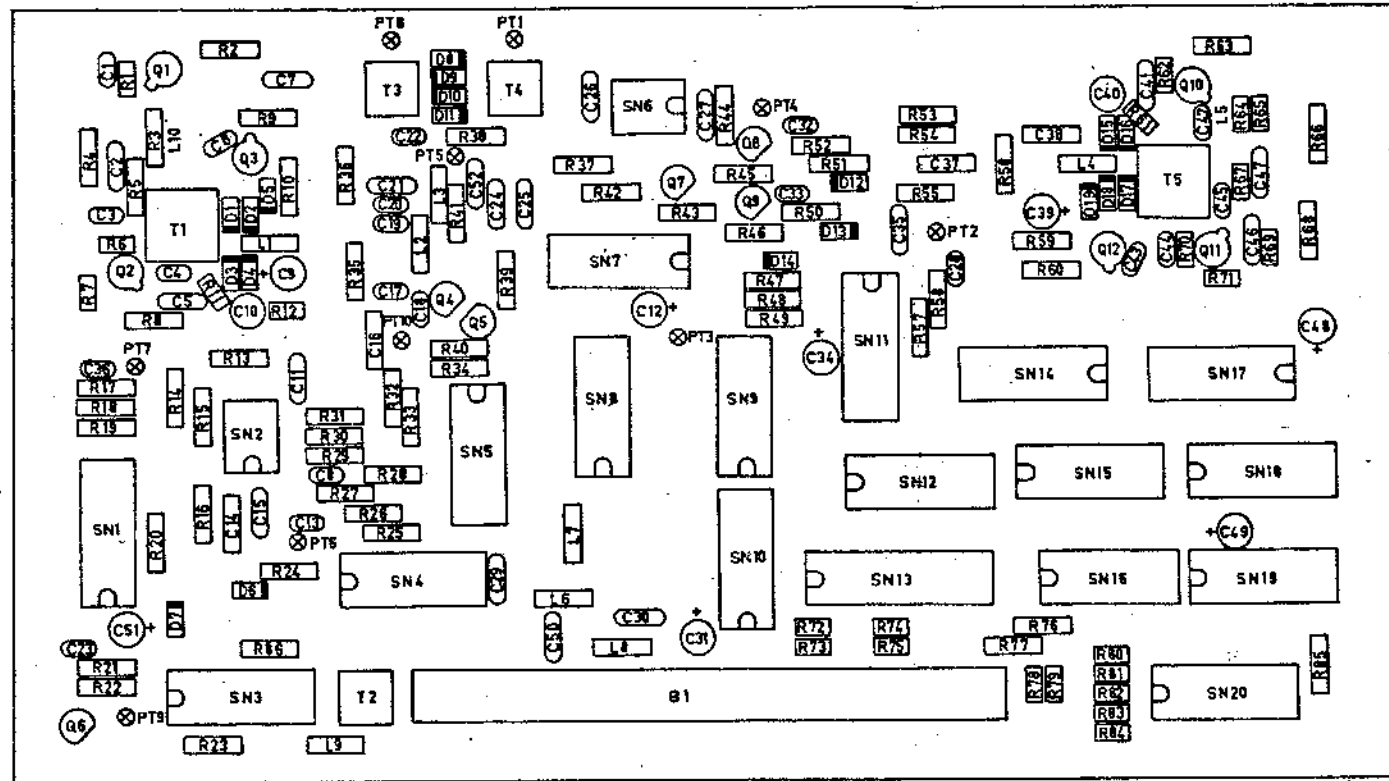
**DEUX CENTADE 200 STEPS**

DATE 15 04 84

STUDE DESINE VERIF C 97 02 74 76 00 00

970196 A

4.6MHz  
400/600KHz  
-5V -5V  
200KHz  
D1 D3 D5 D7 A1 A3  
D0 D2 D4 D6 A0 A2 Chgt



|   |       |  |               |
|---|-------|--|---------------|
| <b>ADRET ELECTRONIQUE</b>   |       | <small>10-10 St. Denis Corridor<br/>75010 Paris Cedex 13<br/>Tel: 01 42 50 11 11<br/>Fax: 01 42 50 11 17</small> |               |
| <small>CE DOCUMENT NE PEUT ÊTRE COMMUNIQUÉ NI RÉPRODUIT SANS AUTORISATION</small> |       |  |               |
| DEUX CENTADE  |       | 200 STEPS BOARD  |               |
| DATE: 26/06/84  | ETUDE | DESIGN   | VERSION       |
|   |       |  | C970274760000 |

| REPERE INDEXE | REF. ADRET PART NUMBER | DESCRIPTION                    | PART DESCRIPTION               | FOURNISSEUR/PLAN SUPPLIER/DRAWING | QTE QTY |
|---------------|------------------------|--------------------------------|--------------------------------|-----------------------------------|---------|
| B -001        | 1431001300             | TM 31 MCIG ..... MALE*CARTE*   | TM 31 MCIG .....               | TRELEC                            | 1       |
| C -001        | 3120003300             | 33PF 2,5 2222 680 10 339       | 33PF 2,5 2222 680 10 339       | COGECO                            | 1       |
| C -002        | 3150042200             | 0,22MMF 5 50U20% 3439050 E224M | 0,22MMF 5 50U20% 3439050 E224M | AUX                               | 1       |
| C -003        | 3120003300             | 33PF 2,5 2222 680 10 339       | 33PF 2,5 2222 680 10 339       | COGECO                            | 1       |
| C -004        | 3120021000             | 1 NF 2,5 2222 630 51 102       | 1 NF 2,5 2222 630 51 102       | COGECO                            | 1       |
| C -005        | 3150042200             | 0,22MMF 5 50U20% 3439050 E224M | 0,22MMF 5 50U20% 3439050 E224M | AUX                               | 1       |
| C -006        | 3120021000             | 1 NF 2,5 2222 630 51 102       | 1 NF 2,5 2222 630 51 102       | COGECO                            | 1       |
| C -007        | 3150042200             | 0,22MMF 5 50U20% 3439050 E224M | 0,22MMF 5 50U20% 3439050 E224M | AUX                               | 1       |
| C -008        | 3120012200             | 220PF 2,5 'N22'2222 680 58 221 | 220PF 2,5 'N22'2222 680 58 221 | COGECO                            | 1       |
| C -009        | 3700100000             | 4,7MMF/35V 5,08 .. STAND L TAG | 4,7MMF/35V 5,08 .. STAND L TAG | STC                               | 1       |
| C -010        | 3100600000             | 1000PF TRAV.                   | 1000PF PINCH TF318-450E-102GMU | MURATA                            | 1       |
| C -011        | 3150042200             | 0,22MMF 5 50U20% 3439050 E224M | 0,22MMF 5 50U20% 3439050 E224M | AUX                               | 1       |
| C -012        | 3700180000             | 22MMF/16V 5,08 ... STAND L TAG | 22MMF/16V 5,08 ... STAND L TAG | STC                               | 1       |
| C -013        | 3120012200             | 220PF 2,5 'N22'2222 680 58 221 | 220PF 2,5 'N22'2222 680 58 221 | COGECO                            | 1       |
| C -014        | 3233100300             | 10NF 5,08 10% IRD607           | 10NF 5,08 10% IRD607           | LCC                               | 1       |
| C -015        | 3150042200             | 0,22MMF 5 50U20% 3439050 E224M | 0,22MMF 5 50U20% 3439050 E224M | AUX                               | 1       |
| C -016        | 3233100300             | 10NF 5,08 10% IRD607           | 10NF 5,08 10% IRD607           | LCC                               | 1       |
| C -017        | 3120013300             | 330PF 2,5 'N33'2222 680 58 331 | 330PF 2,5 'N33'2222 680 58 331 | COGECO                            | 1       |
| C -018        | 3120013300             | 330PF 2,5 'N33'2222 680 58 331 | 330PF 2,5 'N33'2222 680 58 331 | COGECO                            | 1       |
| C -019        | 3120012200             | 220PF 2,5 'N22'2222 680 58 221 | 220PF 2,5 'N22'2222 680 58 221 | COGECO                            | 1       |
| C -020        | 3120013300             | 330PF 2,5 'N33'2222 680 58 331 | 330PF 2,5 'N33'2222 680 58 331 | COGECO                            | 1       |
| C -021        | 3150042200             | 0,22MMF 5 50U20% 3439050 E224M | 0,22MMF 5 50U20% 3439050 E224M | AUX                               | 1       |
| C -022        | 3120011200             | 120PF 2,5 'N12'2222 680 58 121 | 120PF 2,5 'N12'2222 680 58 121 | COGECO                            | 1       |
| C -023        | 3120021000             | 1 NF 2,5 2222 630 51 102       | 1 NF 2,5 2222 630 51 102       | COGECO                            | 1       |
| C -024        | 3150042200             | 0,22MMF 5 50U20% 3439050 E224M | 0,22MMF 5 50U20% 3439050 E224M | AUX                               | 1       |
| C -025        | 3150042200             | 0,22MMF 5 50U20% 3439050 E224M | 0,22MMF 5 50U20% 3439050 E224M | AUX                               | 1       |
| C -026        | 3150042200             | 0,22MMF 5 50U20% 3439050 E224M | 0,22MMF 5 50U20% 3439050 E224M | AUX                               | 1       |
| C -027        | 3150042200             | 0,22MMF 5 50U20% 3439050 E224M | 0,22MMF 5 50U20% 3439050 E224M | AUX                               | 1       |
| C -028        | 3120021000             | 1 NF 2,5 2222 630 51 102       | 1 NF 2,5 2222 630 51 102       | COGECO                            | 1       |
| C -029        | 3150042200             | 0,22MMF 5 50U20% 3439050 E224M | 0,22MMF 5 50U20% 3439050 E224M | AUX                               | 1       |
| C -030        | 3150042200             | 0,22MMF 5 50U20% 3439050 E224M | 0,22MMF 5 50U20% 3439050 E224M | AUX                               | 1       |
| C -031        | 3700180000             | 22MMF/16V 5,08 ... STAND L TAG | 22MMF/16V 5,08 ... STAND L TAG | STC                               | 1       |
| C -032        | 3120003300             | 33PF 2,5 2222 680 10 339       | 33PF 2,5 2222 680 10 339       | COGECO                            | 1       |
| C -033        | 3120021000             | 1 NF 2,5 2222 630 51 102       | 1 NF 2,5 2222 630 51 102       | COGECO                            | 1       |
| C -034        | 3700180000             | 22MMF/16V 5,08 ... STAND L TAG | 22MMF/16V 5,08 ... STAND L TAG | STC                               | 1       |
| C -035        | 3150042200             | 0,22MMF 5 50U20% 3439050 E224M | 0,22MMF 5 50U20% 3439050 E224M | AUX                               | 1       |
| C -036        | 3120021000             | 1 NF 2,5 2222 630 51 102       | 1 NF 2,5 2222 630 51 102       | COGECO                            | 1       |
| C -037        | 3232470300             | 4,7NF 5,08 10% IRD607          | 4,7NF 5,08 10% IRD607          | LCC                               | 1       |
| C -038        | 3234100400             | 0,1 MMF 5,08 10% IRD607        | 0,1 MMF 5,08 10% IRD607        | LCC                               | 1       |
| C -039        | 3700100000             | 4,7MMF/35V 5,08 .. STAND L TAG | 4,7MMF/35V 5,08 .. STAND L TAG | STC                               | 1       |
| C -040        | 3100600000             | 1000PF TRAV.                   | 1000PF PINCH TF318-450E-102GMU | MURATA                            | 1       |
| C -041        | 3150042200             | 0,22MMF 5 50U20% 3439050 E224M | 0,22MMF 5 50U20% 3439050 E224M | AUX                               | 1       |
| C -042        | 3120003300             | 33PF 2,5 2222 680 10 339       | 33PF 2,5 2222 680 10 339       | COGECO                            | 1       |
| C -043        | 3120021000             | 1 NF 2,5 2222 630 51 102       | 1 NF 2,5 2222 630 51 102       | COGECO                            | 1       |
| C -044        | 3120003300             | 33PF 2,5 2222 680 10 339       | 33PF 2,5 2222 680 10 339       | COGECO                            | 1       |
| C -045        | 3120021000             | 1 NF 2,5 2222 630 51 102       | 1 NF 2,5 2222 630 51 102       | COGECO                            | 1       |
| C -046        | 3150042200             | 0,22MMF 5 50U20% 3439050 E224M | 0,22MMF 5 50U20% 3439050 E224M | AUX                               | 1       |
| C -047        | 3150042200             | 0,22MMF 5 50U20% 3439050 E224M | 0,22MMF 5 50U20% 3439050 E224M | AUX                               | 1       |
| C -048        | 3700180000             | 22MMF/16V 5,08 ... STAND L TAG | 22MMF/16V 5,08 ... STAND L TAG | STC                               | 1       |
| C -049        | 3700180000             | 22MMF/16V 5,08 ... STAND L TAG | 22MMF/16V 5,08 ... STAND L TAG | STC                               | 1       |
| C -050        | 3150042200             | 0,22MMF 5 50U20% 3439050 E224M | 0,22MMF 5 50U20% 3439050 E224M | AUX                               | 1       |
| C -051        | 3700180000             | 22MMF/16V 5,08 ... STAND L TAG | 22MMF/16V 5,08 ... STAND L TAG | STC                               | 1       |
| C -052        | 3150031000             | 10NF 5,08 63V GOX 767 14       | 10NF 5,08 63V GOX 767 14       | LCC                               | 1       |
| D -001        | 4500450000             | BB 409 (STANDARD).....         | BB 409 (STANDARD).....         | SIEMENS                           | 1       |
| D -002        | 4500450000             | BB 409 (STANDARD).....         | BB 409 (STANDARD).....         | SIEMENS                           | 1       |
| D -003        | 4500450000             | BB 409 (STANDARD).....         | BB 409 (STANDARD).....         | SIEMENS                           | 1       |
| D -004        | 4500450000             | BB 409 (STANDARD).....         | BB 409 (STANDARD).....         | SIEMENS                           | 1       |
| D -005        | 4500450000             | BB 409 (STANDARD).....         | BB 409 (STANDARD).....         | SIEMENS                           | 1       |
| D -006        | 4500020000             | 1N4151 .....                   | 1N4151 .....                   | FU'ITT'                           | 1       |
| D -007        | 4500020000             | 1N4151 .....                   | 1N4151 .....                   | FU'ITT'                           | 1       |
| D -008        | 4500540000             | 1N6263 D035 (EX ESM247&246)    | 1N6263 (SUBSTIT. ESM247&246)   | RTC                               | 1       |
| D -009        | 4500540000             | 1N6263 D035 (EX ESM247&246)    | 1N6263 (SUBSTIT. ESM247&246)   | RTC                               | 1       |
| D -010        | 4500540000             | 1N6263 D035 (EX ESM247&246)    | 1N6263 (SUBSTIT. ESM247&246)   | RTC                               | 1       |
| D -011        | 4500540000             | 1N6263 D035 (EX ESM247&246)    | 1N6263 (SUBSTIT. ESM247&246)   | RTC                               | 1       |
| D -012        | 4500020000             | 1N4151 .....                   | 1N4151 .....                   | FU'ITT'                           | 1       |
| D -013        | 4500020000             | 1N4151 .....                   | 1N4151 .....                   | FU'ITT'                           | 1       |
| D -014        | 4500020000             | 1N4151 .....                   | 1N4151 .....                   | FU'ITT'                           | 1       |
| D -015        | 4500450000             | BB 409 (STANDARD).....         | BB 409 (STANDARD).....         | SIEMENS                           | 1       |
| D -016        | 4500450000             | BB 409 (STANDARD).....         | BB 409 (STANDARD).....         | SIEMENS                           | 1       |
| D -017        | 4500450000             | BB 409 (STANDARD).....         | BB 409 (STANDARD).....         | SIEMENS                           | 1       |
| D -018        | 4500450000             | BB 409 (STANDARD).....         | BB 409 (STANDARD).....         | SIEMENS                           | 1       |
| D -019        | 4500450000             | BB 409 (STANDARD).....         | BB 409 (STANDARD).....         | SIEMENS                           | 1       |
| L -001        | 5300300100             | 4,7MMH ORE 53838 DEL 1025-36   | 4,7MMH ORE 53838 DEL 1025-36   | OREGA DELEVAN                     | 1       |
| L -002        | 5300320100             | 6,8MMH ORE 53842 DEL 1025-40   | 6,8MMH ORE 53842 DEL 1025-40   | OREGA DELEVAN                     | 1       |
| L -003        | 5300290000             | 3,9MMH ORE 53836 DEL 1025-34   | 3,9MMH ORE 53836 DEL 1025-34   | OREGA DELEVAN                     | 1       |
| L -004        | 5300300100             | 4,7MMH ORE 53838 DEL 1025-36   | 4,7MMH ORE 53838 DEL 1025-36   | OREGA DELEVAN                     | 1       |
| L -005        | 0219720000             | 00 SELF 20MMH .....(EX 530336) | 00 SELF 20MMH .....(EX 530336) | ADRET                             | 1       |
| L -007        | 0219720000             | 00 SELF 20MMH .....(EX 530336) | 00 SELF 20MMH .....(EX 530336) | ADRET                             | 1       |
| L -008        | 0219720000             | 00 SELF 20MMH .....(EX 530336) | 00 SELF 20MMH .....(EX 530336) | ADRET                             | 1       |

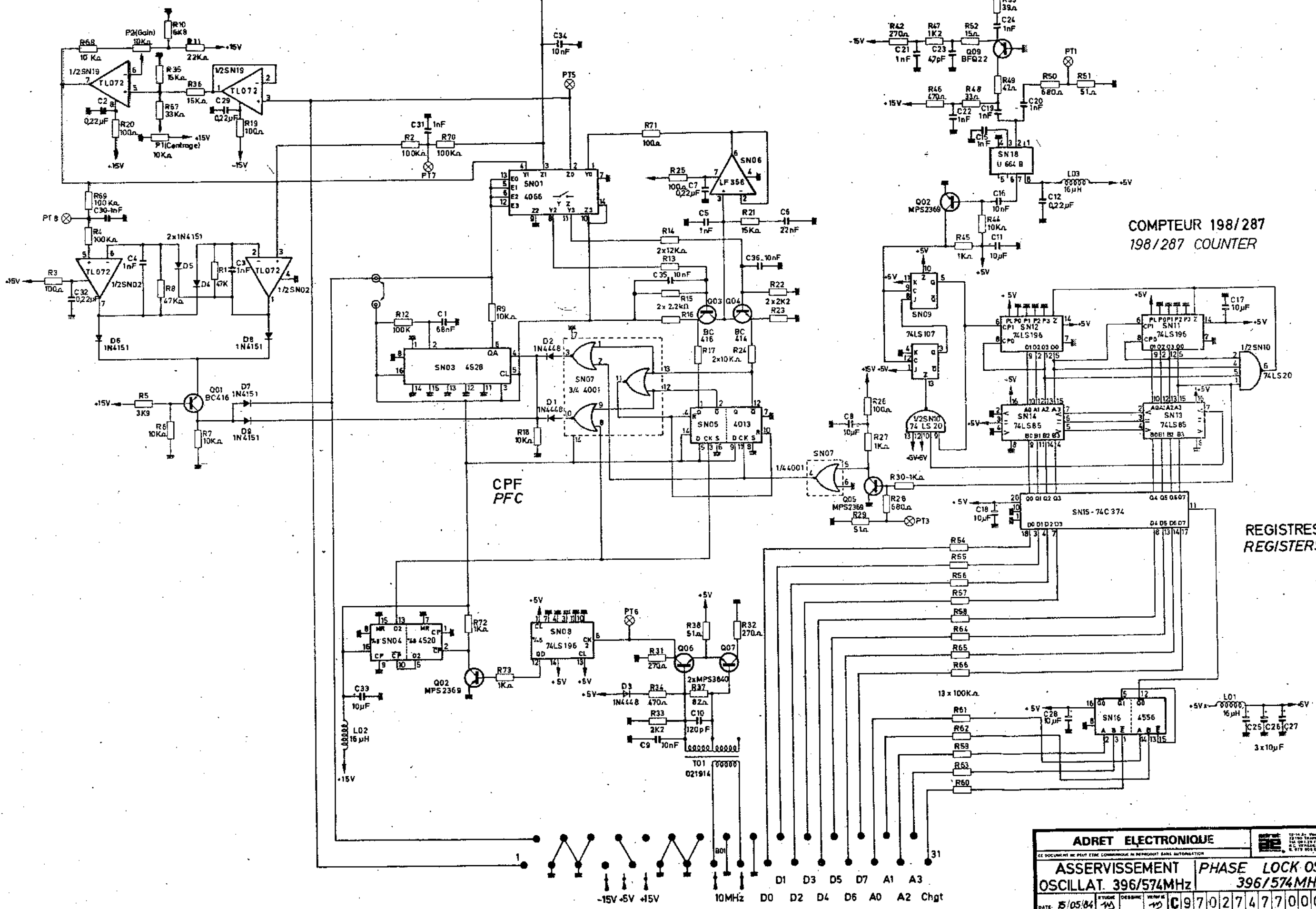
\*0274760000 04 CARTE DELUX CENTADE ... 730A \* 04 200 STEPS BOARD ..... 730A D92.....C98C97 \*

| REPERE INDEXE | REF. ADRET PART NUMBER | DESCRIPTION                    | PART DESCRIPTION                 | FOURNISSEUR/PLAN SUPPLIER/DRAWING | QTE QTY |
|---------------|------------------------|--------------------------------|----------------------------------|-----------------------------------|---------|
| L -009        | 0219720000             | 00 SELF 20MMH .....(EX 530336) | * 00 SELF 20MMH .....(EX 530336) | ADRET                             | 1       |
| Q -001        | 4300720000             | BFY 90                         | * BFY 90                         | RTC                               | 1       |
| Q -002        | 4300720000             | BFY 90                         | * BFY 90                         | RTC                               | 1       |
| Q -003        | 4300250000             | BFR 90 POINT MARRON C.ENTREE   | * BFR 90 INPUT CHECK BROWN POINT | RTC                               | 1       |
| Q -004        | 4300600000             | MPS 3640                       | * MPS 3640                       | MOTOROLA                          | 1       |
| Q -005        | 4300600000             | MPS 3640                       | * MPS 3640                       | MOTOROLA                          | 1       |
| Q -006        | 4300150000             | MPS 2369                       | * MPS 2369                       | MOTOROLA                          | 1       |
| Q -007        | 4300620000             | MPS 918                        | * MPS 918                        | MOTOROLA                          | 1       |
| Q -008        | 4300610000             | BF 506                         | * BF 506                         | MOTOROLA                          | 1       |
| Q -009        | 4300620000             | MPS 918                        | * MPS 918                        | MOTOROLA                          | 1       |
| Q -010        | 4300720000             | BFY 90                         | * BFY 90                         | RTC                               | 1       |
| Q -011        | 4300720000             | BFY 90                         | * BFY 90                         | RTC                               | 1       |
| Q -012        | 4300250000             | BFR 90 POINT MARRON C.ENTREE   | * BFR 90 INPUT CHECK BROWN POINT | RTC                               | 1       |
| R -001        | 2905001000             | 10R 5,08 CC                    | 5% NK3 10R 5,08 CC               | 5% NK3 SOUCOR                     | 1       |
| R -002        | 2210004700             | 47R                            | 5% N4 47R                        | 5% N4 SOUCOR                      | 1       |
| R -003        | 2210014700             | 470R                           | 5% N4 470R                       | 5% N4 SOUCOR                      | 1       |
| R -004        | 2210014700             | 470R                           | 5% N4 470R                       | 5% N4 SOUCOR                      | 1       |
| R -005        | 2210014700             | 470R                           | 5% N4 470R                       | 5% N4 SOUCOR                      | 1       |
| R -006        | 2905001000             | 10R 5,08 CC                    | 5% NK3 10R 5,08 CC               | 5% NK3 SOUCOR                     | 1       |
| R -007        | 2905004700             | 47R 5,08 CC                    | 5% NK3 47R 5,08 CC               | 5% NK3 SOUCOR                     | 1       |
| R -008        | 2210016800             | 680R                           | 5% N4 680R                       | 5% N4 SOUCOR                      | 1       |
| R -009        | 2210013300             | 330R                           | 5% N4 330R                       | 5% N4 SOUCOR                      | 1       |
| R -010        | 2210031000             | 10K                            | 5% N4 10K                        | 5% N4 SOUCOR                      | 1       |
| R -011        | 2900012200             | 220R                           | 5% NK3 220R                      | 5% NK3 SOUCOR                     | 1       |
| R -012        | 2900022200             | 2K2                            | 5% NK3 2K2                       | 5% NK3 SOUCOR                     | 1       |
| R -013        | 2210031000             | 10K                            | 5% N4 10K                        | 5% N4 SOUCOR                      | 1       |
| R -014        | 2210011000             | 100R                           | 5% N4 100R                       | 5% N4 SOUCOR                      | 1       |
| R -015        | 2210031500             | 15K                            | 5% N4 15K                        | 5% N4 SOUCOR                      | 1       |
| R -016        | 2210021000             | 1K0                            | 5% N4 1K0                        | 5% N4 SOUCOR                      | 1       |
| R -017        | 2500114000             | 1K40 * 1% 0,3 W                | SMA207 1K40 * 1% 0,3 W           | SMA207 DRALORIC                   | 1       |
| R -018        | 2210021000             | 1K0                            | 5% N4 1K0                        | 5% N4 SOUCOR                      | 1       |
| R -019        | 2210022200             | 2K2                            | 5% N4 2K2                        | 5% N4 SOUCOR                      | 1       |
| R -020        | 2500030100             | 301R * 1% 0,3 W                | SMA207 301R * 1% 0,3 W           | SMA207 DRALORIC                   | 1       |
| R -021        | 2210021000             | 1K0                            | 5% N4 1K0                        | 5% N4 SOUCOR                      | 1       |
| R -022        | 2210031000             | 10K                            | 5% N4 10K                        | 5% N4 SOUCOR                      | 1       |
| R -023        | 2210016800             | 680R                           | 5% N4 680R                       | 5% N4 SOUCOR                      | 1       |
| R -024        | 2210031000             | 10K                            | 5% N4 10K                        | 5% N4 SOUCOR                      | 1       |
| R -025        | 2210023300             | 3K3                            | 5% N4 3K3                        | 5% N4 SOUCOR                      | 1       |
| R -026        | 2210034700             | 47K                            | 5% N4 47K                        | 5% N4 SOUCOR                      | 1       |
| R -027        | 2210034700             | 47K                            | 5% N4 47K                        | 5% N4 SOUCOR                      | 1       |
| R -028        | 2210023300             | 3K3                            | 5% N4 3K3                        | 5% N4 SOUCOR                      | 1       |
| R -029        | 2210034700             | 47K                            | 5% N4 47K                        | 5% N4 SOUCOR                      | 1       |
| R -030        | 2210034700             | 47K                            | 5% N4 47K                        | 5% N4 SOUCOR                      | 1       |
| R -031        | 2210031000             | 10K                            | 5% N4 10K                        | 5% N4 SOUCOR                      | 1       |
| R -032        | 2210023300             | 3K3                            | 5% N4 3K3                        | 5% N4 SOUCOR                      | 1       |
| R -033        | 2210023300             | 3K3                            | 5% N4 3K3                        | 5% N4 SOUCOR                      | 1       |
| R -034        | 2210013300             | 330R                           | 5% N4 330R                       | 5% N4 SOUCOR                      | 1       |
| R -035        | 2210023300             | 3K3                            | 5% N4 3K3                        | 5% N4 SOUCOR                      | 1       |
| R -036        | 2210014700             | 470R                           | 5% N4 470R                       | 5% N4 SOUCOR                      | 1       |
| R -037        | 2210031000             | 10K                            | 5% N4 10K                        | 5% N4 SOUCOR                      | 1       |
| R -038        | 2210004700             | 47R                            | 5% N4 47R                        | 5% N4 SOUCOR                      | 1       |
| R -039        | 2210015600             | 560R                           | 5% N4 560R                       | 5% N4 SOUCOR                      | 1       |
| R -040        | 2210021000             | 1K0                            | 5% N4 1K0                        | 5% N4 SOUCOR                      | 1       |
| R -041        | 2210012200             | 220R                           | 5% N4 220R                       | 5% N4 SOUCOR                      | 1       |
| R -042        | 2210016800             | 680R                           | 5% N4 680R                       | 5% N4 SOUCOR                      | 1       |
| R -043        | 2210016800             | 680R                           | 5% N4 680R                       | 5% N4 SOUCOR                      | 1       |
| R -044        | 2210013300             | 330R                           | 5% N4 330R                       | 5% N4 SOUCOR                      | 1       |
| R -045        | 2210013900             | 390R                           | 5% N4 390R                       | 5% N4 SOUCOR                      | 1       |
| R -046        | 2210021500             | 1K5                            | 5% N4 1K5                        | 5% N4 SOUCOR                      | 1       |
| R -047        | 2210011200             | 120R                           | 5% N4 120R                       | 5% N4 SOUCOR                      | 1       |
| R -048        | 2210021000             | 1K0                            | 5% N4 1K0                        | 5% N4 SOUCOR                      | 1       |
| R -049        | 2210022200             | 2K2                            | 5% N4 2K2                        | 5% N4 SOUCOR                      | 1       |
| R -050        | 2210031000             | 10K                            | 5% N4 10K                        | 5% N4 SOUCOR                      | 1       |
| R -051        | 2210016800             | 680R                           | 5% N4 680R                       | 5% N4 SOUCOR                      | 1       |
| R -052        | 2210013300             | 330R                           | 5% N4 330R                       | 5% N4 SOUCOR                      | 1       |
| R -053        | 2210022200             | 2K2                            | 5% N4 2K2                        | 5% N4 SOUCOR                      | 1       |
| R -054        | 2210014700             | 470R                           | 5% N4 470R                       | 5% N4 SOUCOR                      | 1       |
| R -055        | 2210013300             | 330R                           | 5% N4 330R                       | 5% N4 SOUCOR                      | 1       |
| R -056        | 2210023300             | 3K3                            | 5% N4 3K3                        | 5% N4 SOUCOR                      | 1       |
| R -057        | 2210016800             | 680R                           | 5% N4 680R                       | 5% N4 SOUCOR                      | 1       |
| R -058        | 2210021000             | 1K0                            | 5% N4 1K0                        | 5% N4 SOUCOR                      | 1       |
| R -059        | 2210031000             | 10K                            | 5% N4 10K                        | 5% N4 SOUCOR                      | 1       |
| R -060        | 2210013300             | 330R                           | 5% N4 330R                       | 5% N4 SOUCOR                      | 1       |
| R -061        | 2900012200             | 220R                           | 5% NK3 220R                      | 5% NK3 SOUCOR                     | 1       |
| R -062        | 2905004700             | 47R 5,08 CC                    | 5% NK3 47R 5,08 CC               | 5% NK3 SOUCOR                     | 1       |
| R -063        | 2210014700             | 470R                           | 5% N4 470R                       | 5% N4 SOUCOR                      | 1       |
| R -064        | 2905001000             | 10R 5,08 CC                    | 5% NK3 10R 5,08 CC               | 5% NK3 SOUCOR                     | 1       |
| R -065        | 2905014700             | 470R 5,08 CC                   | 5% NK3 470R 5,08 CC              | 5% NK3 SOUCOR                     | 1       |
| R -066        | 2210014700             | 470R                           | 5% N4 470R                       | 5% N4 SOUCOR                      | 1       |

| REPERE INDEXE | REF. ADRET PART NUMBER | DESCRIPTION                     | PART DESCRIPTION                 | FOURNISSEUR/PLAN SUPPLIER/DRAWING | QTE QTY |
|---------------|------------------------|---------------------------------|----------------------------------|-----------------------------------|---------|
| R -067        | 2905014700             | 47OR 5,08 CC                    | 5% NK3 * 47OR 5,08 CC            | 5% NK3 SOUCOR                     | 1       |
| R -068        | 2210014700             | 47OR                            | 5% N4 * 47OR                     | 5% N4 SOUCOR                      | 1       |
| R -069        | 2905013300             | 33OR 5,08 CC                    | 5% NK3 * 33OR 5,08 CC            | 5% NK3 SOUCOR                     | 1       |
| R -070        | 2905001000             | 1OR 5,08 CC                     | 5% NK3 * 1OR 5,08 CC             | 5% NK3 SOUCOR                     | 1       |
| R -071        | 2905004700             | 47R 5,08 CC                     | 5% NK3 * 47R 5,08 CC             | 5% NK3 SOUCOR                     | 1       |
| R -072        | 2905041000             | 100K 5,08 CC                    | 5% NK3 * 100K 5,08 CC            | 5% NK3 SOUCOR                     | 1       |
| R -073        | 2905041000             | 100K 5,08 CC                    | 5% NK3 * 100K 5,08 CC            | 5% NK3 SOUCOR                     | 1       |
| R -074        | 2905041000             | 100K 5,08 CC                    | 5% NK3 * 100K 5,08 CC            | 5% NK3 SOUCOR                     | 1       |
| R -075        | 2905041000             | 100K 5,08 CC                    | 5% NK3 * 100K 5,08 CC            | 5% NK3 SOUCOR                     | 1       |
| R -076        | 2210041000             | 100K                            | 5% N4 * 100K                     | 5% N4 SOUCOR                      | 1       |
| R -077        | 2210041000             | 100K                            | 5% N4 * 100K                     | 5% N4 SOUCOR                      | 1       |
| R -078        | 2905041000             | 100K 5,08 CC                    | 5% NK3 * 100K 5,08 CC            | 5% NK3 SOUCOR                     | 1       |
| R -079        | 2905041000             | 100K 5,08 CC                    | 5% NK3 * 100K 5,08 CC            | 5% NK3 SOUCOR                     | 1       |
| R -080        | 2905041000             | 100K 5,08 CC                    | 5% NK3 * 100K 5,08 CC            | 5% NK3 SOUCOR                     | 1       |
| R -081        | 2905041000             | 100K 5,08 CC                    | 5% NK3 * 100K 5,08 CC            | 5% NK3 SOUCOR                     | 1       |
| R -082        | 2905041000             | 100K 5,08 CC                    | 5% NK3 * 100K 5,08 CC            | 5% NK3 SOUCOR                     | 1       |
| R -083        | 2905041000             | 100K 5,08 CC                    | 5% NK3 * 100K 5,08 CC            | 5% NK3 SOUCOR                     | 1       |
| R -084        | 2905041000             | 100K 5,08 CC                    | 5% NK3 * 100K 5,08 CC            | 5% NK3 SOUCOR                     | 1       |
| R -085        | 2210041000             | 100K                            | 5% N4 * 100K                     | 5% N4 SOUCOR                      | 1       |
| R -086        | 2210011000             | 100R                            | 5% N4 * 100R                     | 5% N4 SOUCOR                      | 1       |
| SN -001       | 4101013100             | MC 10131 P                      | * MC 10131 P                     | MOTOROLA                          | 1       |
| SN -002       | 4200360000             | TL 072 CP                       | * TL 072 CP                      | TEXAS                             | 1       |
| SN -003       | 4157416300             | SN 74 LS 163 N 3                | * SN 74 LS 163 N 3               | TEXAS                             | 1       |
| SN -004       | 4150740000             | SN 74 LS 00 N 3                 | * SN 74 LS 00 N 3                | TEXAS                             | 1       |
| SN -005       | 4157410700             | SN 74 LS 107 AN 3               | * SN 74 LS 107 AN 3              | TEXAS                             | 1       |
| SN -006       | 4200320000             | LF 356 N B+                     | * LF 356 N B+                    | NS                                | 1       |
| SN -007       | 4157410700             | SN 74 LS 107 AN 3               | * SN 74 LS 107 AN 3              | TEXAS                             | 1       |
| SN -008       | 4150740000             | SN 74 LS 00 N 3                 | * SN 74 LS 00 N 3                | TEXAS                             | 1       |
| SN -009       | 4150740000             | SN 74 LS 00 N 3                 | * SN 74 LS 00 N 3                | TEXAS                             | 1       |
| SN -010       | 4150740000             | SN 74 LS 00 N 3                 | * SN 74 LS 00 N 3                | TEXAS                             | 1       |
| SN -011       | 4100864700             | SP 8647 B                       | * SP 8647 B                      | PLESSEY                           | 1       |
| SN -012       | 4150748500             | SN 74 LS 85 N 3                 | * SN 74 LS 85 N 3                | TEXAS                             | 1       |
| SN -013       | 4167437400             | C-MOS 74 C 374 N                | * C-MOS 74 C 374 N               | NS                                | 1       |
| SN -014       | 4157416300             | SN 74 LS 163 N 3                | * SN 74 LS 163 N 3               | TEXAS                             | 1       |
| SN -015       | 4150748300             | SN 74 LS 83 N 3                 | * SN 74 LS 83 N 3                | TEXAS                             | 1       |
| SN -016       | 4150740000             | SN 74 LS 00 N 3                 | * SN 74 LS 00 N 3                | TEXAS                             | 1       |
| SN -017       | 4157416300             | SN 74 LS 163 N 3                | * SN 74 LS 163 N 3               | TEXAS                             | 1       |
| SN -018       | 4150748300             | SN 74 LS 83 N 3                 | * SN 74 LS 83 N 3                | TEXAS                             | 1       |
| SN -019       | 4160404200             | C-MOS 4042                      | * C-MOS 4042                     | RTC                               | 1       |
| SN -020       | 4160455600             | C-MOS 4556                      | * C-MOS 4556                     | RTC                               | 1       |
| T -001        | 0219600000             | 01 F100 (10X10) 0,8X5,5 SPIRES  | * 01 F100 (10X10) 0.8X5.5 TURNS. | Z94 F100.....6                    | 1       |
| T -002        | 0219140000             | 02 BOUTON H20 3+3X3+3 SPIRES    | * 02 BUTTON H20 3+3X3+3 TURNS.   | Z94 BH20.....12                   | 1       |
| T -003        | 0219140000             | 02 BOUTON H20 3+3X3+3 SPIRES    | * 02 BUTTON H20 3+3X3+3 TURNS.   | Z94 BH20.....12                   | 1       |
| T -004        | 0219140000             | 02 BOUTON H20 3+3X3+3 SPIRES    | * 02 BUTTON H20 3+3X3+3 TURNS.   | Z94 BH20.....12                   | 1       |
| T -005        | 0219600000             | 01 F100 (10X10) 0,8X5,5 SPIRES  | * 01 F100 (10X10) 0.8X5.5 TURNS. | Z94 F100.....6                    | 1       |
| Z1            | 1100600000             | FIL CUIVRE EMAIL SOUD. 60/100E  | * THREAD 60/100E                 | ELECTROFIL                        | 0       |
| Z1            | 1274760400             | CI DEUX CENTADE ..... 730A      | * 200 STEPS PC ..... 730A        | D997476.....TM                    | 1       |
| Z1            | 1400109900             | POINT TEST                      | * TEST POINT                     | C940850                           | 10      |
| Z4            | 4900300000             | 20 SUPPORT C.I. DIL J23-5020    | * 20 CONNECTOR P.C. 01L J23-5020 | JERMYN                            | 1       |
| Z6            | 6130110500             | LAD 2,5X 5 CYLINDRIQUE FENDUE   | * LAD 2.5 X 5 CYLINDER SLOT      | SAGIC                             | 8       |
| Z6            | 6400260000             | PLOT LAITON ETAME PC12,7        | * CONTACT TINNED BRASS PC12.7    | FONDEX                            | 2       |
| Z8            | 8100980000             | PINCE ASSEMBLAGE BAQUET 0,5MM   | * 0.5MM MODULE ASSEMBLING CLIP   | F941091                           | 8       |
| Z8            | 8108010100             | BOITIER FERME ETAME .... 740A   | * TINNED CLOSED BOX ..... 740A   | -937108010100                     | 2       |
| Z8            | 8108071000             | FROTTEUR CONTACT MASSE '2' 740A | * GROUND CONTACT WIPER '2' 740A  |                                   | 2       |

APPROCHE APPROCH  
400/580MHz 400/580MHz

396/574MHz

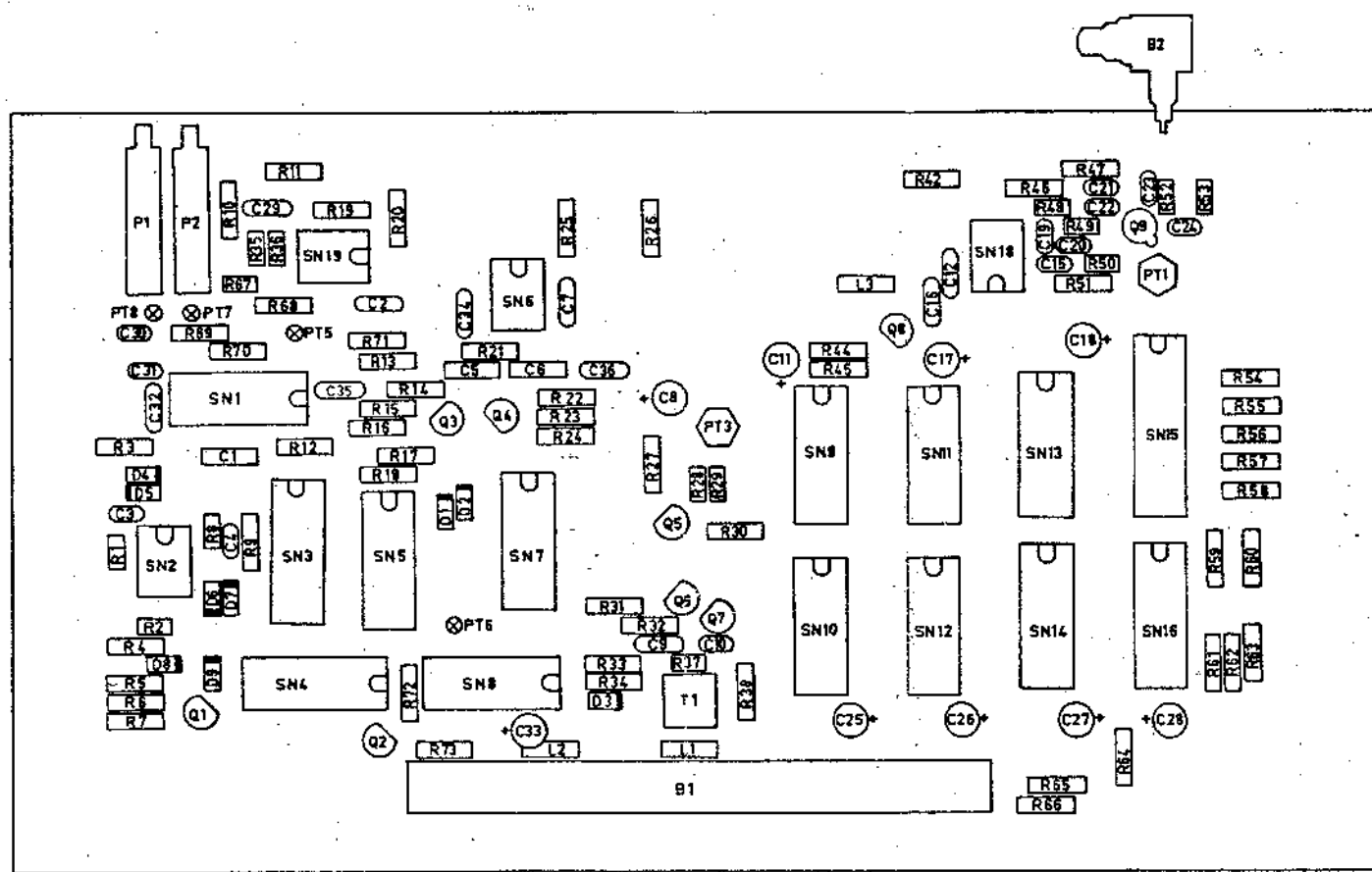


COMPTeur 198/287  
198/287 COUNTER

REGISTRES  
REGISTERS

-15V -5V +5V 10MHz D0 D2 D4 D6 A0 A2 Chgt

|  |                   |  |                 |
|--|-------------------|--|-----------------|
| ADRET ELECTRONIQUE                     |                   | 15-16 AL THOUIN FORSAUV<br>15 100 TRAPPE FRANCE<br>TEL 03 21 17 17<br>C. U. 10000000<br>S. 115 00177 |                 |
| ASSERVISSEMENT<br>OSCILLAT. 396/574MHz |                   | PHASE LOCK OSCILL.<br>396/574MHz   |                 |
| DATE: 05/05/84                         | ETUDE: [initials] | DESIGN: [initials]   | REF: [initials] |
| C 9 7 0 2 7 4 7 7 0 0 0 0              |                   |  |                 |



|   |       |   |         |
|---|-------|---|---------|
| <b>ADRET ELECTRONIQUE</b>   |       | <small>17-18 Av. Jeanne d'Arc<br/>92150 THIAISY FRANCE<br/>Tél. 01 1 47 73 73 73<br/>R.C. THIAISY 92 47 952 577</small> |         |
| <small>CE DOCUMENT NE PEUT ÊTRE COMMUNIQUÉ NI REPRODUIT SANS AUTORISATION</small> |       |   |         |
| ASSERVISSEMENT<br>OSCILLAT. 396/574 MHz   |       | 396/574 MHz<br>PHASE LOCK OSCILLAT.   |         |
| DATE 28 06 84   | ETUDE | DESSIN  | VERIFIE |
|   |       | C 9 7 0 2 7 4 7 7 0 0 0 0   |         |



\*\*\*\*\*0274770000 05 CARTE ASS.MENT 400/580 730A \* 05 400/580 PHASE-LOCK OSC 730A H92.....C98C97 \*\*\*\*\*

| REPERE INDEXE | REF. ADRET PART NUMBER | DESCRIPTION | PART DESCRIPTION                | FOURNISSEUR/PLAN SUPPLIER/DRAWING | QTE QTY |
|---------------|------------------------|-------------|---------------------------------|-----------------------------------|---------|
| B             | -001                   | 1431001300  | TM 31 MCIG                      | TRELEC                            | 1       |
| B             | -002                   | 1400215600  | KMV11 EMBASE COUDEE FIXAT.PANN  | RADIALL                           | 1       |
| C             | -001                   | 3233680200  | 68NF 5,08 10Z IRD607            | LCC                               | 1       |
| C             | -002                   | 3150042200  | 0,22MMF 5 50V20% 3439050 E224M  | AUX                               | 1       |
| C             | -003                   | 3120021000  | 1 NF 2,5 2222 630 51 102        | COGECO                            | 1       |
| C             | -004                   | 3120021000  | 1 NF 2,5 2222 630 51 102        | COGECO                            | 1       |
| C             | -005                   | 3232100300  | 1NF 5,08 63V IRD607             | LCC                               | 1       |
| C             | -006                   | 3233220300  | 22NF 5,08 10Z IRD607            | LCC                               | 1       |
| C             | -007                   | 3150042200  | 0,22MMF 5 50V20% 3439050 E224M  | AUX                               | 1       |
| C             | -008                   | 3700160000  | 10MMF/25V 5,08 ... STAND L TAG  | STC                               | 1       |
| C             | -009                   | 3150031000  | 10NF 5,08 63V GOX 767 14        | LCC                               | 1       |
| C             | -010                   | 3120011200  | 120PF 2,5 'N12' 2222 680 58 121 | COGECO                            | 1       |
| C             | -011                   | 3700160000  | 10MMF/25V 5,08 ... STAND L TAG  | STC                               | 1       |
| C             | -012                   | 3150042200  | 0,22MMF 5 50V20% 3439050 E224M  | AUX                               | 1       |
| C             | -015                   | 3120021000  | 1 NF 2,5 2222 630 51 102        | COGECO                            | 1       |
| C             | -016                   | 3150031000  | 10NF 5,08 63V GOX 767 14        | LCC                               | 1       |
| C             | -017                   | 3700160000  | 10MMF/25V 5,08 ... STAND L TAG  | STC                               | 1       |
| C             | -018                   | 3700160000  | 10MMF/25V 5,08 ... STAND L TAG  | STC                               | 1       |
| C             | -019                   | 3120021000  | 1 NF 2,5 2222 630 51 102        | COGECO                            | 1       |
| C             | -020                   | 3120021000  | 1 NF 2,5 2222 630 51 102        | COGECO                            | 1       |
| C             | -021                   | 3120021000  | 1 NF 2,5 2222 630 51 102        | COGECO                            | 1       |
| C             | -022                   | 3120021000  | 1 NF 2,5 2222 630 51 102        | COGECO                            | 1       |
| C             | -023                   | 3120094700  | 4,7PF 2,5 2222 680 09 478       | COGECO                            | 1       |
| C             | -024                   | 3120021000  | 1 NF 2,5 2222 630 51 102        | COGECO                            | 1       |
| C             | -025                   | 3700160000  | 10MMF/25V 5,08 ... STAND L TAG  | STC                               | 1       |
| C             | -026                   | 3700160000  | 10MMF/25V 5,08 ... STAND L TAG  | STC                               | 1       |
| C             | -027                   | 3700160000  | 10MMF/25V 5,08 ... STAND L TAG  | STC                               | 1       |
| C             | -028                   | 3700160000  | 10MMF/25V 5,08 ... STAND L TAG  | STC                               | 1       |
| C             | -029                   | 3150042200  | 0,22MMF 5 50V20% 3439050 E224M  | AUX                               | 1       |
| C             | -030                   | 3120021000  | 1 NF 2,5 2222 630 51 102        | COGECO                            | 1       |
| C             | -031                   | 3120021000  | 1 NF 2,5 2222 630 51 102        | COGECO                            | 1       |
| C             | -032                   | 3150042200  | 0,22MMF 5 50V20% 3439050 E224M  | AUX                               | 1       |
| C             | -033                   | 3700160000  | 10MMF/25V 5,08 ... STAND L TAG  | STC                               | 1       |
| C             | -034                   | 3150031000  | 10NF 5,08 63V GOX 767 14        | LCC                               | 1       |
| C             | -035                   | 3150031000  | 10NF 5,08 63V GOX 767 14        | LCC                               | 1       |
| C             | -036                   | 3150031000  | 10NF 5,08 63V GOX 767 14        | LCC                               | 1       |
| D             | -001                   | 4500310000  | 1 N 4448                        | ITT                               | 1       |
| D             | -002                   | 4500310000  | 1 N 4448                        | ITT                               | 1       |
| D             | -003                   | 4500310000  | 1 N 4448                        | ITT                               | 1       |
| D             | -004                   | 4500020000  | IN4151                          | FU'ITT'                           | 1       |
| D             | -005                   | 4500020000  | IN4151                          | FU'ITT'                           | 1       |
| D             | -006                   | 4500020000  | IN4151                          | FU'ITT'                           | 1       |
| D             | -007                   | 4500020000  | IN4151                          | FU'ITT'                           | 1       |
| D             | -008                   | 4500020000  | IN4151                          | FU'ITT'                           | 1       |
| D             | -009                   | 4500020000  | IN4151                          | FU'ITT'                           | 1       |
| L             | -001                   | 0219720000  | 00 SELF 20MMH .....(EX 530336)  | ADRET                             | 1       |
| L             | -002                   | 0219720000  | 00 SELF 20MMH .....(EX 530336)  | ADRET                             | 1       |
| L             | -003                   | 0219720000  | 00 SELF 20MMH .....(EX 530336)  | ADRET                             | 1       |
| P             | -001                   | 2133100000  | 10K 3/4" 1ST CERMET 43 P        | SPECTROL                          | 1       |
| P             | -002                   | 2133100000  | 10K 3/4" 1ST CERMET 43 P        | SPECTROL                          | 1       |
| Q             | -001                   | 4300110000  | BC560C /416C/415C/559C(BC214C)  | RTC                               | 1       |
| Q             | -002                   | 4300150000  | MPS 2369                        | MOTOROLA                          | 1       |
| Q             | -003                   | 4300110000  | BC560C /416C/415C/559C(BC214C)  | RTC                               | 1       |
| Q             | -004                   | 4300190000  | BC550C /414C/413C/549C(BC184C)  | RTC                               | 1       |
| Q             | -005                   | 4300150000  | MPS 2369                        | MOTOROLA                          | 1       |
| Q             | -006                   | 4300600000  | MPS 3640                        | MOTOROLA                          | 1       |
| Q             | -007                   | 4300600000  | MPS 3640                        | MOTOROLA                          | 1       |
| Q             | -008                   | 4300150000  | MPS 2369                        | MOTOROLA                          | 1       |
| Q             | -009                   | 4300310000  | BFQ 22-S                        | REPLACE ON543                     | 1       |
| R             | -001                   | 2905034700  | 47K 5,08 CC 5% NK3              | SOVCOR                            | 1       |
| R             | -002                   | 2905041000  | 100K 5,08 CC 5% NK3             | SOVCOR                            | 1       |
| R             | -003                   | 2210011000  | 100R 5% N4                      | SOVCOR                            | 1       |
| R             | -004                   | 2210041000  | 100K 5% N4                      | SOVCOR                            | 1       |
| R             | -005                   | 2210023900  | 3K9 5% N4                       | SOVCOR                            | 1       |
| R             | -006                   | 2210031000  | 10K 5% N4                       | SOVCOR                            | 1       |
| R             | -007                   | 2210031000  | 10K 5% N4                       | SOVCOR                            | 1       |
| R             | -008                   | 2905034700  | 47K 5,08 CC 5% NK3              | SOVCOR                            | 1       |
| R             | -009                   | 2210031000  | 10K 5% N4                       | SOVCOR                            | 1       |
| R             | -010                   | 2210026800  | 6K8 5% N4                       | SOVCOR                            | 1       |
| R             | -011                   | 2210032200  | 22K 5% N4                       | SOVCOR                            | 1       |
| R             | -012                   | 2210041000  | 100K 5% N4                      | SOVCOR                            | 1       |
| R             | -013                   | 2210031200  | 12K 5% N4                       | SOVCOR                            | 1       |
| R             | -014                   | 2210031200  | 12K 5% N4                       | SOVCOR                            | 1       |
| R             | -015                   | 2210022200  | 2K2 5% N4                       | SOVCOR                            | 1       |
| R             | -016                   | 2210022200  | 2K2 5% N4                       | SOVCOR                            | 1       |
| R             | -017                   | 2210031000  | 10K 5% N4                       | SOVCOR                            | 1       |
| R             | -018                   | 2210031000  | 10K 5% N4                       | SOVCOR                            | 1       |
| R             | -019                   | 2210011000  | 100R 5% N4                      | SOVCOR                            | 1       |
| R             | -020                   | 2210011000  | 100R 5% N4                      | SOVCOR                            | 1       |

| REPERE INDEXE | REF. ADRET PART NUMBER | DESCRIPTION                     | PART DESCRIPTION                 | FOURNISSEUR/PLAN SUPPLIER/DRAWING | QTE QTY |
|---------------|------------------------|---------------------------------|----------------------------------|-----------------------------------|---------|
| R -021        | 2210031500             | 15K                             | 5% N4 * 15K                      | 5% N4 SOUCOR                      | 1       |
| R -022        | 2210022200             | 2K2                             | 5% N4 * 2K2                      | 5% N4 SOUCOR                      | 1       |
| R -023        | 2210022200             | 2K2                             | 5% N4 * 2K2                      | 5% N4 SOUCOR                      | 1       |
| R -024        | 2210031000             | 10K                             | 5% N4 * 10K                      | 5% N4 SOUCOR                      | 1       |
| R -025        | 2210011000             | 100R                            | 5% N4 * 100R                     | 5% N4 SOUCOR                      | 1       |
| R -026        | 2210011000             | 100R                            | 5% N4 * 100R                     | 5% N4 SOUCOR                      | 1       |
| R -027        | 2210021000             | 1K0                             | 5% N4 * 1K0                      | 5% N4 SOUCOR                      | 1       |
| R -028        | 2905016800             | 680R 5,08 CC                    | 5% NK3 * 680R 5,08 CC            | 5% NK3 SOUCOR                     | 1       |
| R -029        | 2905005100             | 51R 5,08 CC                     | 5% NK3 * 51R 5,08 CC             | 5% NK3 SOUCOR                     | 1       |
| R -030        | 2210021000             | 1K0                             | 5% N4 * 1K0                      | 5% N4 SOUCOR                      | 1       |
| R -031        | 2210012700             | 270R                            | 5% N4 * 270R                     | 5% N4 SOUCOR                      | 1       |
| R -032        | 2210012700             | 270R                            | 5% N4 * 270R                     | 5% N4 SOUCOR                      | 1       |
| R -033        | 2210022200             | 2K2                             | 5% N4 * 2K2                      | 5% N4 SOUCOR                      | 1       |
| R -034        | 2210014700             | 470R                            | 5% N4 * 470R                     | 5% N4 SOUCOR                      | 1       |
| R -035        | 2905031500             | 15K 5,08 CC                     | 5% NK3 * 15K 5,08 CC             | 5% NK3 SOUCOR                     | 1       |
| R -036        | 2905031500             | 15K 5,08 CC                     | 5% NK3 * 15K 5,08 CC             | 5% NK3 SOUCOR                     | 1       |
| R -037        | 2905008200             | 82R 5,08 CC                     | 5% NK3 * 82R 5,08 CC             | 5% NK3 SOUCOR                     | 1       |
| R -038        | 2210005100             | 51R                             | 5% N4 * 51R                      | 5% N4 SOUCOR                      | 1       |
| R -042        | 2210012700             | 270R                            | 5% N4 * 270R                     | 5% N4 SOUCOR                      | 1       |
| R -044        | 2210031000             | 10K                             | 5% N4 * 10K                      | 5% N4 SOUCOR                      | 1       |
| R -045        | 2210021000             | 1K0                             | 5% N4 * 1K0                      | 5% N4 SOUCOR                      | 1       |
| R -046        | 2210014700             | 470R                            | 5% N4 * 470R                     | 5% N4 SOUCOR                      | 1       |
| R -047        | 2210021200             | 1K2                             | 5% N4 * 1K2                      | 5% N4 SOUCOR                      | 1       |
| R -048        | 2905003300             | 33R 5,08 CC                     | 5% NK3 * 33R 5,08 CC             | 5% NK3 SOUCOR                     | 1       |
| R -049        | 2905004700             | 47R 5,08 CC                     | 5% NK3 * 47R 5,08 CC             | 5% NK3 SOUCOR                     | 1       |
| R -050        | 2905016800             | 680R 5,08 CC                    | 5% NK3 * 680R 5,08 CC            | 5% NK3 SOUCOR                     | 1       |
| R -051        | 2210005100             | 51R                             | 5% N4 * 51R                      | 5% N4 SOUCOR                      | 1       |
| R -052        | 2905001500             | 15R 5,08 CC                     | 5% NK3 * 15R 5,08 CC             | 5% NK3 SOUCOR                     | 1       |
| R -053        | 2905003900             | 39R 5,08 CC                     | 5% NK3 * 39R 5,08 CC             | 5% NK3 SOUCOR                     | 1       |
| R -054        | 2210041000             | 100K                            | 5% N4 * 100K                     | 5% N4 SOUCOR                      | 1       |
| R -055        | 2210041000             | 100K                            | 5% N4 * 100K                     | 5% N4 SOUCOR                      | 1       |
| R -056        | 2210041000             | 100K                            | 5% N4 * 100K                     | 5% N4 SOUCOR                      | 1       |
| R -057        | 2210041000             | 100K                            | 5% N4 * 100K                     | 5% N4 SOUCOR                      | 1       |
| R -058        | 2210041000             | 100K                            | 5% N4 * 100K                     | 5% N4 SOUCOR                      | 1       |
| R -059        | 2210041000             | 100K                            | 5% N4 * 100K                     | 5% N4 SOUCOR                      | 1       |
| R -060        | 2210041000             | 100K                            | 5% N4 * 100K                     | 5% N4 SOUCOR                      | 1       |
| R -061        | 2210041000             | 100K                            | 5% N4 * 100K                     | 5% N4 SOUCOR                      | 1       |
| R -062        | 2210041000             | 100K                            | 5% N4 * 100K                     | 5% N4 SOUCOR                      | 1       |
| R -063        | 2210041000             | 100K                            | 5% N4 * 100K                     | 5% N4 SOUCOR                      | 1       |
| R -064        | 2210041000             | 100K                            | 5% N4 * 100K                     | 5% N4 SOUCOR                      | 1       |
| R -065        | 2210041000             | 100K                            | 5% N4 * 100K                     | 5% N4 SOUCOR                      | 1       |
| R -066        | 2210041000             | 100K                            | 5% N4 * 100K                     | 5% N4 SOUCOR                      | 1       |
| R -067        | 2905033300             | 33K 5,08 CC                     | 5% NK3 * 33K 5,08 CC             | 5% NK3 SOUCOR                     | 1       |
| R -068        | 2210031000             | 10K                             | 5% N4 * 10K                      | 5% N4 SOUCOR                      | 1       |
| R -069        | 2210041000             | 100K                            | 5% N4 * 100K                     | 5% N4 SOUCOR                      | 1       |
| R -070        | 2210041000             | 100K                            | 5% N4 * 100K                     | 5% N4 SOUCOR                      | 1       |
| R -071        | 2210011000             | 100R                            | 5% N4 * 100R                     | 5% N4 SOUCOR                      | 1       |
| R -072        | 2210021000             | 1K0                             | 5% N4 * 1K0                      | 5% N4 SOUCOR                      | 1       |
| R -073        | 2210021000             | 1K0                             | 5% N4 * 1K0                      | 5% N4 SOUCOR                      | 1       |
| SN -001       | 4160406600             | C-MOS 4066                      | * C-MOS 4066                     | RTC                               | 1       |
| SN -002       | 4200360000             | TL 072 CP                       | * TL 072 CP                      | TEXAS                             | 1       |
| SN -003       | 4160452800             | C-MOS 4528                      | * C-MOS 4528                     | RTC                               | 1       |
| SN -004       | 4160452000             | C-MOS 4520                      | * C-MOS 4520                     | RTC                               | 1       |
| SN -005       | 4160401300             | C-MOS 4013                      | * C-MOS 4013                     | RTC                               | 1       |
| SN -006       | 4200320000             | LF 356 N B+                     | * LF 356 N B+                    | NS                                | 1       |
| SN -007       | 4160400100             | C-MOS 4001                      | * C-MOS 4001                     | RTC                               | 1       |
| SN -008       | 4157419600             | SN 74 LS 196 N 3                | * SN 74 LS 196 N 3               | TEXAS                             | 1       |
| SN -009       | 4157410700             | SN 74 LS 107 AN 3               | * SN 74 LS 107 AN 3              | TEXAS                             | 1       |
| SN -010       | 4150742000             | SN 74 LS 20 N 3                 | * SN 74 LS 20 N 3                | TEXAS                             | 1       |
| SN -011       | 4157419600             | SN 74 LS 196 N 3                | * SN 74 LS 196 N 3               | TEXAS                             | 1       |
| SN -012       | 4157419600             | SN 74 LS 196 N 3                | * SN 74 LS 196 N 3               | TEXAS                             | 1       |
| SN -013       | 4150748500             | SN 74 LS 85 N 3                 | * SN 74 LS 85 N 3                | TEXAS                             | 1       |
| SN -014       | 4150748500             | SN 74 LS 85 N 3                 | * SN 74 LS 85 N 3                | TEXAS                             | 1       |
| SN -015       | 4167437400             | C-MOS 74 C 374 N                | * C-MOS 74 C 374 N               | NS                                | 1       |
| SN -016       | 4160455600             | C-MOS 4556                      | * C-MOS 4556                     | RTC                               | 1       |
| SN -018       | 4100066400             | U6648 'DIVISEUR 64'             | * U6648 'DIVIDER 64'             | TELEFUNKEN                        | 1       |
| SN -019       | 4200360000             | TL 072 CP                       | * TL 072 CP                      | TEXAS                             | 1       |
| T -001        | 0219140000             | O2 BOUTON H20 3+3X3+3 SPIRES    | * O2 BUTTON H20 3+3X3+3 TURNS    | Z94 BH20.....12                   | 1       |
| Z0            | 0204880000             | O0 COAX '251'L390 730A          | * O0 COAX '251'L390 730A         | A94.....                          | 1       |
| Z1            | 1100530000             | FIL.NU.ETAME.6/10               | * TINNED BARE THREAD 6/10        | ELECTROFIL                        | 1       |
| Z1            | 1274771100             | CI ASSERVISSEMENT 400/580 730A  | * CI ASSERVISSEMENT              | M997477.....TM                    | 1       |
| Z1            | 1300900000             | PASSE FIL REF 8-3-5-2           | * FEED-THROUGH SLEEV.REF 8-3-5-2 | FAISANT                           | 1       |
| Z1            | 1400109900             | POINT TEST                      | * TEST POINT                     | C940850                           | 1       |
| Z1            | 1400225500             | EMBASE COAXIALE 'TEST' TR 540   | * TEST POINT HF TR 540           | TRELEC(A932998)                   | 2       |
| Z1            | 1400225600             | EMBOUT KX22A 'PARALL' 22205-110 | * CAP KX22A 'PARALL' 22205-110   | ATI                               | 1       |
| Z1            | 1402023800             | SHUNT REF:142-270-1             | * SHUNT REF:142-270-1            | AMP                               | 1       |
| Z1            | 1403023700             | BARRETTE SBW3 2,54 L14          | * SMALL BAR SBW3 2,54 L14        | SODISTREL                         | 1       |
| Z4            | 4900120000             | 14 SUPPORT C.I. DIL J23-5014    | * 14 CONNECTOR P.C. DIL J23-5014 | JERMYN                            | 1       |
| Z4            | 4900300000             | 20 SUPPORT C.I. DIL J23-5020    | * 20 CONNECTOR P.C. DIL J23-5020 | JERMYN                            | 1       |

122

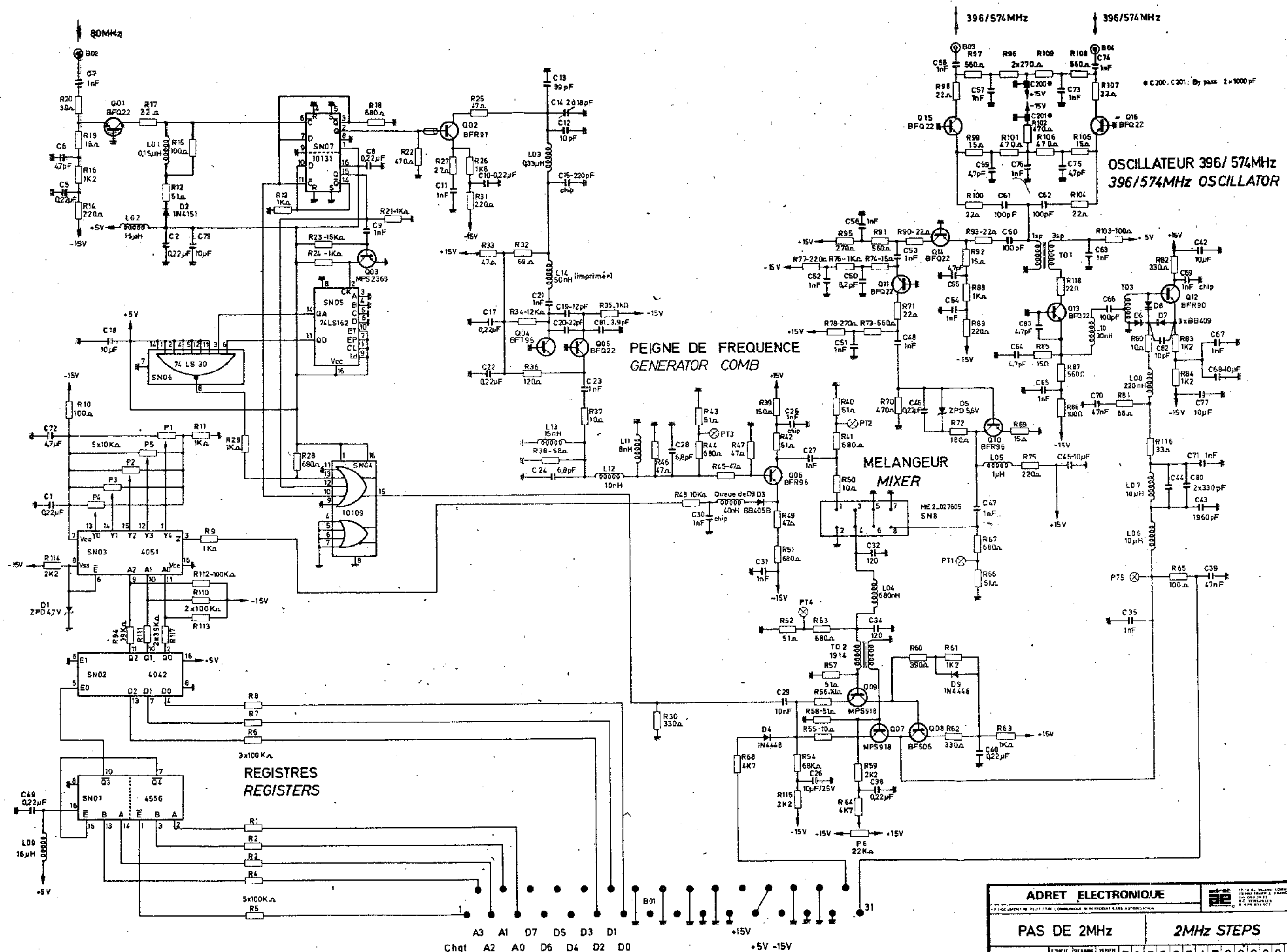
12.86

\*\*\*\*\*  
\*0274770000 05 CARTE ASS.MENT 400/580 730A \* 05 400/580 PHASE-LOCK OSC 730A H92.....C98C97 \*  
\*\*\*\*\*

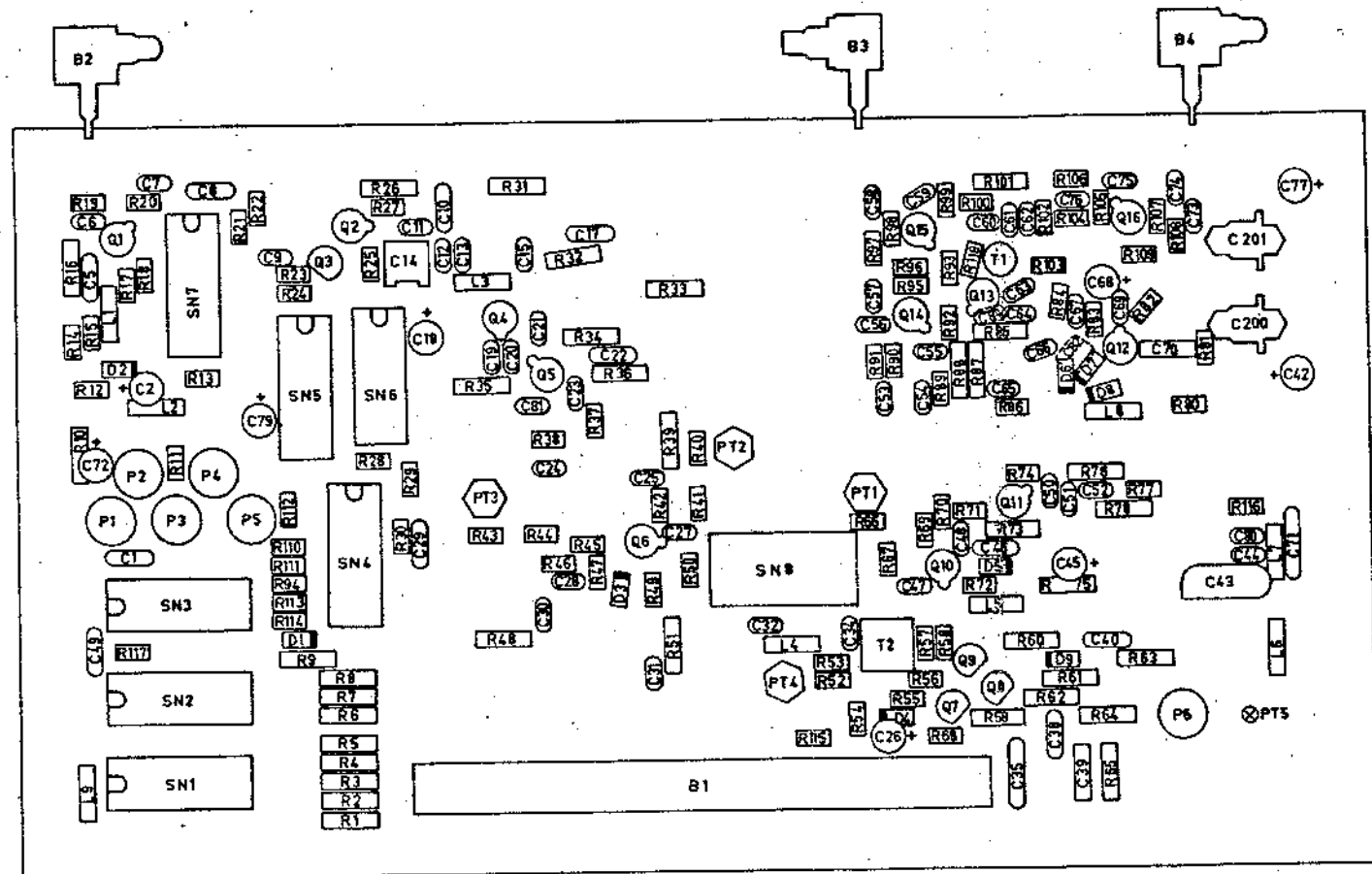
PAGE

12

| REPERE<br>INDEXE | REF. ADRET<br>PART NUMBER | DESCRIPTION               | PART DESCRIPTION                 | FOURNISSEUR/PLAN<br>SUPPLIER/DRAWING | QTE<br>QTY |
|------------------|---------------------------|---------------------------|----------------------------------|--------------------------------------|------------|
| Z6               | 6140120600                | TC M2 X 6 U NFE27-115-4,6 | INOX * TC M2 X 6 U NFE27-115-4,6 | INOX B0                              | 6          |
| Z6               | 6400530000                | OUILLET LAITON ..... N°   | 2070 * FIXING EYELET BRASS .. N° | 2070 MFCM                            | 7          |
| Z8               | 0280081117                | COUVERCLE ASSERVISSEMENT  | 730A * PHASE-LOCK COVER .....    | 730A A94.....                        | 1          |
| Z8               | 8008020100                | BARRETTE FIXAT. CARTE(M2) | 740A * (M2) BOARD ANCHOR BAR ... | 740A B94.....                        | 1          |
| Z8               | 8108071000                | FROTTEUR CONTACT MASSE 2' | 740A * GROUND CONTACT WIPER '2'  | 740A                                 | 2          |



|                            |        |  |
|----------------------------|--------|--|
| <b>ADRET ELECTRONIQUE</b>  |        | 15-16 St. Pierre LOMARD<br>28000 BREST 11 FRANCE<br>T. 02 98 12 17<br>F. 02 98 05 77 |
| <b>PAS DE 2MHz</b>         |        | <b>2MHz STEPS</b>  |
| DATE 14 05 84              | STUDIÉ | DESINÉ   |
| 7/3                        | 7/3    | 7/3  |
| E 97 0 2 7 4 7 8 0 0 0 1/2 |        |  |



|   |       |   |                |
|---|-------|---|----------------|
| <b>ADRET ELECTRONIQUE</b>   |       | <small>15, rue de la République - 92000 Nanterre<br/>Tél. 01 1 47 37 40 00<br/>Fax 01 1 47 37 40 01</small> |                |
| <small>CE DOCUMENT NE PEUT ÊTRE COMMUNIQUÉ NI REPRODUIT SANS AUTORISATION</small> |       |   |                |
| <b>PAS DE 2MHz</b>  |       | <b>2MHz STEPS BOARD</b>   |                |
| DATE 28 05 84   | ETUDE | DESSIN  | VERIFIE        |
|   |       |   | E 970274780002 |

| REPERE INDEXE | REF. ADRET PART NUMBER | DESCRIPTION                     | PART DESCRIPTION                  | FOURNISSEUR/PLAN SUPPLIER/DRAWING | QTE QTY |
|---------------|------------------------|---------------------------------|-----------------------------------|-----------------------------------|---------|
| B -001        | 1431001300             | TM 31 MCIG ..... MALE*CARTE*    | TM 31 MCIG .....                  | TRELEC                            | 1       |
| B -002        | 1400215600             | KMU11 EMBASE COUDEE FIXAT.PANN  | * KMU11BENDEE SOCKET PAN. ANCHOR  | RADIALL                           | 1       |
| B -003        | 1400215600             | KMU11 EMBASE COUDEE FIXAT.PANN  | * KMU11BENDEE SOCKET PAN. ANCHOR  | RADIALL                           | 1       |
| B -004        | 1400215600             | KMU11 EMBASE COUDEE FIXAT.PANN  | * KMU11BENDEE SOCKET PAN. ANCHOR  | RADIALL                           | 1       |
| C -001        | 3150042200             | 0,22MMF 5 50V20% 3439050 E224M  | * 0,22MMF 5 50V20% 3439050 E224M  | AUX                               | 1       |
| C -002        | 3700160000             | 10MMF/25V 5,08 ... STAND L TAG  | * 10MMF/25V 5,08 ... STAND L TAG  | STC                               | 1       |
| C -005        | 3150042200             | 0,22MMF 5 50V20% 3439050 E224M  | * 0,22MMF 5 50V20% 3439050 E224M  | AUX                               | 1       |
| C -006        | 3120094700             | 4,7PF 2,5 2222 680 09 478       | * 4,7PF 2,5 2222 680 09 478       | COGECO                            | 1       |
| C -007        | 3120021000             | 1 NF 2,5 2222 630 51 102        | * 1 NF 2,5 2222 630 51 102        | COGECO                            | 1       |
| C -008        | 3150042200             | 0,22MMF 5 50V20% 3439050 E224M  | * 0,22MMF 5 50V20% 3439050 E224M  | AUX                               | 1       |
| C -009        | 3120021000             | 1 NF 2,5 2222 630 51 102        | * 1 NF 2,5 2222 630 51 102        | COGECO                            | 1       |
| C -010        | 3150042200             | 0,22MMF 5 50V20% 3439050 E224M  | * 0,22MMF 5 50V20% 3439050 E224M  | AUX                               | 1       |
| C -011        | 3120021000             | 1 NF 2,5 2222 630 51 102        | * 1 NF 2,5 2222 630 51 102        | COGECO                            | 1       |
| C -012        | 3120001000             | 10PF 2,5 'F' 2222 680 10 109    | * 10PF 2,5 'F' 2222 680 10 109    | COGECO                            | 1       |
| C -013        | 3120003900             | 39PF 2,5 2222 680 10 399        | * 39PF 2,5 2222 680 10 399        | COGECO                            | 1       |
| C -014        | 3600120000             | 4/20 PF ... REF C010 808 23209  | * 4/20 PF ... REF C010 808 23209  | RTC(C010)                         | 1       |
| C -015        | 3810012200             | CHIPS 220PF 10% 63V SNPB CEC2E  | * CHIPS 220PF 10% 63V SNPB CEC2E  | EUROFARAD                         | 1       |
| C -017        | 3150042200             | 0,22MMF 5 50V20% 3439050 E224M  | * 0,22MMF 5 50V20% 3439050 E224M  | AUX                               | 1       |
| C -018        | 3700160000             | 10MMF/25V 5,08 ... STAND L TAG  | * 10MMF/25V 5,08 ... STAND L TAG  | STC                               | 1       |
| C -019        | 3120001200             | 12PF 2,5 'G' 2222 680 10 129    | * 12PF 2,5 'G' 2222 680 10 129    | COGECO                            | 1       |
| C -020        | 3120002200             | 22PF 2,5 'K' 2222 680 10 229    | * 22PF 2,5 'K' 2222 680 10 229    | COGECO                            | 1       |
| C -021        | 3120021000             | 1 NF 2,5 2222 630 51 102        | * 1 NF 2,5 2222 630 51 102        | COGECO                            | 1       |
| C -022        | 3150042200             | 0,22MMF 5 50V20% 3439050 E224M  | * 0,22MMF 5 50V20% 3439050 E224M  | AUX                               | 1       |
| C -023        | 3120021000             | 1 NF 2,5 2222 630 51 102        | * 1 NF 2,5 2222 630 51 102        | COGECO                            | 1       |
| C -024        | 3120096800             | 6,8PF 2,5 'D' 2222 680 09 688   | * 6,8PF 2,5 'D' 2222 680 09 688   | COGECO                            | 1       |
| C -025        | 3810021000             | CHIPS 1 NF 10% 63V SNPB CEC 2E  | * CHIPS 1 NF 10% 63V SNPB CEC 2E  | EUROFARAD                         | 1       |
| C -026        | 3700160000             | 10MMF/25V 5,08 ... STAND L TAG  | * 10MMF/25V 5,08 ... STAND L TAG  | STC                               | 1       |
| C -027        | 3120021000             | 1 NF 2,5 2222 630 51 102        | * 1 NF 2,5 2222 630 51 102        | COGECO                            | 1       |
| C -028        | 3120096800             | 6,8PF 2,5 'D' 2222 680 09 688   | * 6,8PF 2,5 'D' 2222 680 09 688   | COGECO                            | 1       |
| C -029        | 3150031000             | 10NF 5,08 63V GOX 767 14        | * 10NF 5,08 63V GOX 767 14        | LCC                               | 1       |
| C -030        | 3810021000             | CHIPS 1 NF 10% 63V SNPB CEC 2E  | * CHIPS 1 NF 10% 63V SNPB CEC 2E  | EUROFARAD                         | 1       |
| C -031        | 3120021000             | 1 NF 2,5 2222 630 51 102        | * 1 NF 2,5 2222 630 51 102        | COGECO                            | 1       |
| C -032        | 3120011200             | 120PF 2,5 'N12' 2222 680 58 121 | * 120PF 2,5 'N12' 2222 680 58 121 | COGECO                            | 1       |
| C -034        | 3120011200             | 120PF 2,5 'N12' 2222 680 58 121 | * 120PF 2,5 'N12' 2222 680 58 121 | COGECO                            | 1       |
| C -035        | 3301100000             | 1000PF 7,6 2% 250V ... 59SP     | * 1000PF 7,6 2% 250V ... 59SP     | GAM                               | 1       |
| C -038        | 3150042200             | 0,22MMF 5 50V20% 3439050 E224M  | * 0,22MMF 5 50V20% 3439050 E224M  | AUX                               | 1       |
| C -039        | 3233470300             | 47NF 5,08 10% IRD607            | * 47NF 5,08 10% IRD607            | LCC                               | 1       |
| C -040        | 3150042200             | 0,22MMF 5 50V20% 3439050 E224M  | * 0,22MMF 5 50V20% 3439050 E224M  | AUX                               | 1       |
| C -042        | 3700160000             | 10MMF/25V 5,08 ... STAND L TAG  | * 10MMF/25V 5,08 ... STAND L TAG  | STC                               | 1       |
| C -043        | 3301196000             | 1960PF 7,62 2% 250V ... 59SP    | * 1960PF 7,62 2% 250V ... 59SP    | GAM                               | 1       |
| C -044        | 3120013300             | 330PF 2,5 'N33' 2222 680 58 331 | * 330PF 2,5 'N33' 2222 680 58 331 | COGECO                            | 1       |
| C -045        | 3700160000             | 10MMF/25V 5,08 ... STAND L TAG  | * 10MMF/25V 5,08 ... STAND L TAG  | STC                               | 1       |
| C -046        | 3150042200             | 0,22MMF 5 50V20% 3439050 E224M  | * 0,22MMF 5 50V20% 3439050 E224M  | AUX                               | 1       |
| C -047        | 3120021000             | 1 NF 2,5 2222 630 51 102        | * 1 NF 2,5 2222 630 51 102        | COGECO                            | 1       |
| C -048        | 3120021000             | 1 NF 2,5 2222 630 51 102        | * 1 NF 2,5 2222 630 51 102        | COGECO                            | 1       |
| C -049        | 3150042200             | 0,22MMF 5 50V20% 3439050 E224M  | * 0,22MMF 5 50V20% 3439050 E224M  | AUX                               | 1       |
| C -050        | 3120098200             | 8,2PF 2,5 'E' 2222 680 09 828   | * 8,2PF 2,5 'E' 2222 680 09 828   | COGECO                            | 1       |
| C -051        | 3120021000             | 1 NF 2,5 2222 630 51 102        | * 1 NF 2,5 2222 630 51 102        | COGECO                            | 1       |
| C -052        | 3120021000             | 1 NF 2,5 2222 630 51 102        | * 1 NF 2,5 2222 630 51 102        | COGECO                            | 1       |
| C -053        | 3120021000             | 1 NF 2,5 2222 630 51 102        | * 1 NF 2,5 2222 630 51 102        | COGECO                            | 1       |
| C -054        | 3120021000             | 1 NF 2,5 2222 630 51 102        | * 1 NF 2,5 2222 630 51 102        | COGECO                            | 1       |
| C -055        | 3120094700             | 4,7PF 2,5 2222 680 09 478       | * 4,7PF 2,5 2222 680 09 478       | COGECO                            | 1       |
| C -056        | 3120021000             | 1 NF 2,5 2222 630 51 102        | * 1 NF 2,5 2222 630 51 102        | COGECO                            | 1       |
| C -057        | 3120021000             | 1 NF 2,5 2222 630 51 102        | * 1 NF 2,5 2222 630 51 102        | COGECO                            | 1       |
| C -058        | 3120021000             | 1 NF 2,5 2222 630 51 102        | * 1 NF 2,5 2222 630 51 102        | COGECO                            | 1       |
| C -059        | 3120094700             | 4,7PF 2,5 2222 680 09 478       | * 4,7PF 2,5 2222 680 09 478       | COGECO                            | 1       |
| C -060        | 3120011000             | 100PF 2,5 'N10' 2222 680 58 101 | * 100PF 2,5 'N10' 2222 680 58 101 | COGECO                            | 1       |
| C -061        | 3120011000             | 100PF 2,5 'N10' 2222 680 58 101 | * 100PF 2,5 'N10' 2222 680 58 101 | COGECO                            | 1       |
| C -062        | 3120011000             | 100PF 2,5 'N10' 2222 680 58 101 | * 100PF 2,5 'N10' 2222 680 58 101 | COGECO                            | 1       |
| C -063        | 3120021000             | 1 NF 2,5 2222 630 51 102        | * 1 NF 2,5 2222 630 51 102        | COGECO                            | 1       |
| C -064        | 3120094700             | 4,7PF 2,5 2222 680 09 478       | * 4,7PF 2,5 2222 680 09 478       | COGECO                            | 1       |
| C -065        | 3120021000             | 1 NF 2,5 2222 630 51 102        | * 1 NF 2,5 2222 630 51 102        | COGECO                            | 1       |
| C -066        | 3120011000             | 100PF 2,5 'N10' 2222 680 58 101 | * 100PF 2,5 'N10' 2222 680 58 101 | COGECO                            | 1       |
| C -067        | 3120021000             | 1 NF 2,5 2222 630 51 102        | * 1 NF 2,5 2222 630 51 102        | COGECO                            | 1       |
| C -068        | 3700160000             | 10MMF/25V 5,08 ... STAND L TAG  | * 10MMF/25V 5,08 ... STAND L TAG  | STC                               | 1       |
| C -069        | 3810021000             | CHIPS 1 NF 10% 63V SNPB CEC 2E  | * CHIPS 1 NF 10% 63V SNPB CEC 2E  | EUROFARAD                         | 1       |
| C -070        | 3233470300             | 47NF 5,08 10% IRD607            | * 47NF 5,08 10% IRD607            | LCC                               | 1       |
| C -071        | 3301100000             | 1000PF 7,6 2% 250V ... 59SP     | * 1000PF 7,6 2% 250V ... 59SP     | GAM                               | 1       |
| C -072        | 3700100000             | 4,7MMF/35V 5,08 ... STAND L TAG | * 4,7MMF/35V 5,08 ... STAND L TAG | STC                               | 1       |
| C -073        | 3120021000             | 1 NF 2,5 2222 630 51 102        | * 1 NF 2,5 2222 630 51 102        | COGECO                            | 1       |
| C -074        | 3120021000             | 1 NF 2,5 2222 630 51 102        | * 1 NF 2,5 2222 630 51 102        | COGECO                            | 1       |
| C -075        | 3120094700             | 4,7PF 2,5 2222 680 09 478       | * 4,7PF 2,5 2222 680 09 478       | COGECO                            | 1       |
| C -076        | 3120021000             | 1 NF 2,5 2222 630 51 102        | * 1 NF 2,5 2222 630 51 102        | COGECO                            | 1       |
| C -077        | 3700160000             | 10MMF/25V 5,08 ... STAND L TAG  | * 10MMF/25V 5,08 ... STAND L TAG  | STC                               | 1       |
| C -079        | 3700160000             | 10MMF/25V 5,08 ... STAND L TAG  | * 10MMF/25V 5,08 ... STAND L TAG  | STC                               | 1       |
| C -080        | 3120013300             | 330PF 2,5 'N33' 2222 680 58 331 | * 330PF 2,5 'N33' 2222 680 58 331 | COGECO                            | 1       |
| C -081        | 3120093900             | 3,9PF 2,5 'A' 2222 680 09 398   | * 3,9PF 2,5 'A' 2222 680 09 398   | COGECO                            | 1       |
| C -082        | 3120001000             | 10PF 2,5 'F' 2222 680 10 109    | * 10PF 2,5 'F' 2222 680 10 109    | COGECO                            | 1       |
| C -083        | 3120094700             | 4,7PF 2,5 2222 680 09 478       | * 4,7PF 2,5 2222 680 09 478       | COGECO                            | 1       |

\*0274780000 14 CARTE PAS DE 2MHZ .... 730A \* 14 2MHZ STEPS BOARD ..... 730A P92.....C98E97 \*

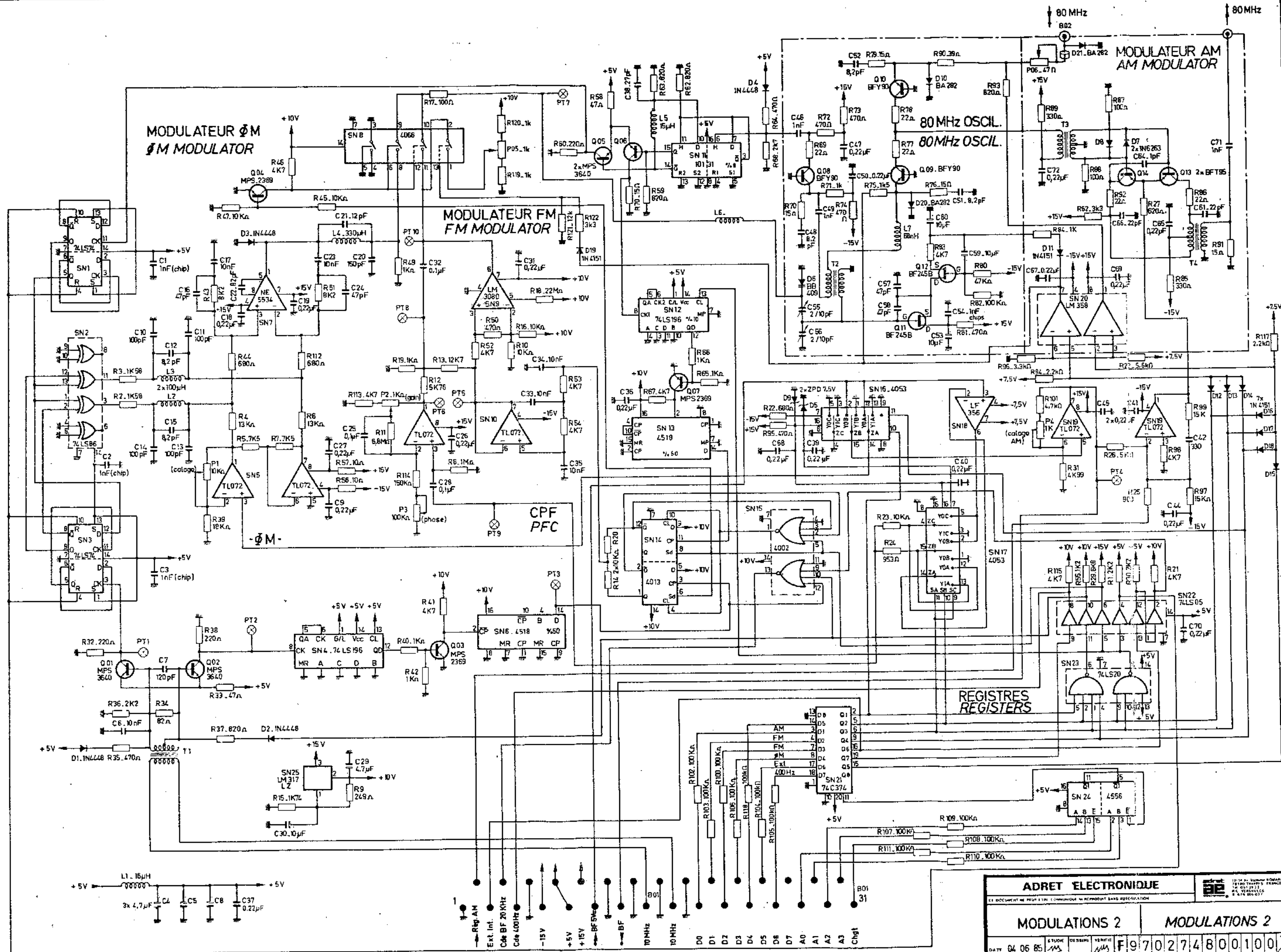
| REPERE INDEXE | REF. AORET PART NUMBER | DESCRIPTION                   | PART DESCRIPTION                 | FOURNISSEUR/PLAN SUPPLIER/DRAWING | QTE QTY |
|---------------|------------------------|-------------------------------|----------------------------------|-----------------------------------|---------|
| C -200        | 3100610000             | FILTRE TRAVER ECROU B85313AB7 | * NUT PINCH FILTER ... B85313AB7 | SIEMENS                           | 1       |
| C -201        | 3100610000             | FILTRE TRAVER ECROU B85313AB7 | * NUT PINCH FILTER ... B85313AB7 | SIEMENS                           | 1       |
| D -001        | 4600010000             | ZPD 4,7                       | * ZPD 4,7                        | ITT                               | 1       |
| D -002        | 4500020000             | 1N4151                        | * 1N4151                         | FU'ITT                            | 1       |
| D -003        | 4500550000             | OF 643 (OF555-BB4058)         | * OF 643 (OF555-BB4058)          | RTC                               | 1       |
| D -004        | 4500310000             | 1 N 4448                      | * 1 N 4448                       | ITT                               | 1       |
| D -005        | 4600040000             | ZPD5,6                        | * ZPD5,6                         | ITT                               | 1       |
| D -006        | 4500450000             | BB 409 (STANDARD)             | * BB 409 (STANDARD)              | SIEMENS                           | 1       |
| D -007        | 4500450000             | BB 409 (STANDARD)             | * BB 409 (STANDARD)              | SIEMENS                           | 1       |
| D -008        | 4500450000             | BB 409 (STANDARD)             | * BB 409 (STANDARD)              | SIEMENS                           | 1       |
| D -009        | 4500310000             | 1 N 4448                      | * 1 N 4448                       | ITT                               | 1       |
| L -001        | 5300120000             | 0,15MMH ORE 53802 DEL 1025-00 | * 0,15MMH ORE 53802 DEL 1025-00  | OREGA DELEVAN                     | 1       |
| L -002        | 0219720000             | 00 SELF 20MMH (EX 530336)     | * 00 SELF 20MMH (EX 530336)      | ADRET                             | 1       |
| L -003        | 5300160000             | 0,33MMH ORE 53810 DEL 1025-08 | * 0,33MMH ORE 53810 DEL 1025-08  | OREGA DELEVAN                     | 1       |
| L -004        | 5300200000             | 0,68MMH ORE 53818 DEL 1025-16 | * 0,68MMH ORE 53818 DEL 1025-16  | OREGA DELEVAN                     | 1       |
| L -005        | 5300220000             | 1,0MMH ORE 53822 DEL 1025-20  | * 1,0MMH ORE 53822 DEL 1025-20   | OREGA DELEVAN                     | 1       |
| L -006        | 5300340000             | 10MMH ORE 53846 DEL 1025-44   | * 10MMH ORE 53846 DEL 1025-44    | OREGA DELEVAN                     | 1       |
| L -007        | 5300340000             | 10MMH ORE 53846 DEL 1025-44   | * 10MMH ORE 53846 DEL 1025-44    | OREGA DELEVAN                     | 1       |
| L -008        | 5300140100             | 0,22MMH ORE 53806 DEL 1025-04 | * 0,22MMH ORE 53806 DEL 1025-04  | OREGA DELEVAN                     | 1       |
| L -009        | 0219720000             | 00 SELF 20MMH (EX 530336)     | * 00 SELF 20MMH (EX 530336)      | ADRET                             | 1       |
| P -001        | 2153100000             | 10K T05 CERMET T 7 YA         | * 10K T05 CERMET T 7 YA          | SFERNICE                          | 1       |
| P -002        | 2153100000             | 10K T05 CERMET T 7 YA         | * 10K T05 CERMET T 7 YA          | SFERNICE                          | 1       |
| P -003        | 2153100000             | 10K T05 CERMET T 7 YA         | * 10K T05 CERMET T 7 YA          | SFERNICE                          | 1       |
| P -004        | 2153100000             | 10K T05 CERMET T 7 YA         | * 10K T05 CERMET T 7 YA          | SFERNICE                          | 1       |
| P -005        | 2153100000             | 10K T05 CERMET T 7 YA         | * 10K T05 CERMET T 7 YA          | SFERNICE                          | 1       |
| P -006        | 2153220000             | 22K T05 CERMET T 7 YA         | * 22K T05 CERMET T 7 YA          | SFERNICE                          | 1       |
| Q -001        | 4300310000             | BFO 22-S REMPLACE ON543       | * BFO 22-S SUBSTITUTE TO ON543   | RTC                               | 1       |
| Q -002        | 4300280000             | BFR 91 POINT ROUGE C.ENTREE   | * BFR 91 INPUT CHECK RED POINT   | RTC                               | 1       |
| Q -003        | 4300150000             | MPS 2369                      | * MPS 2369                       | MOTOROLA                          | 1       |
| Q -004        | 4300370000             | BFT 95 POINT VERT CE          | * BFT 95 INPUT CHECK GREEN POINT | AEG                               | 1       |
| Q -005        | 4300310000             | BFO 22-S REMPLACE ON543       | * BFO 22-S SUBSTITUTE TO ON543   | RTC                               | 1       |
| Q -006        | 4300270000             | BFR 96 POINT ORANGE C.ENTREE  | * BFR96 INPUT CHECK ORANGE POINT | RTC                               | 1       |
| Q -007        | 4300620000             | MPS 918                       | * MPS 918                        | MOTOROLA                          | 1       |
| Q -008        | 4300610000             | BF 506                        | * BF 506                         | MOTOROLA                          | 1       |
| Q -009        | 4300620000             | MPS 918                       | * MPS 918                        | MOTOROLA                          | 1       |
| Q -010        | 4300270000             | BFR 96 POINT ORANGE C.ENTREE  | * BFR96 INPUT CHECK ORANGE POINT | RTC                               | 1       |
| Q -011        | 4300310000             | BFO 22-S REMPLACE ON543       | * BFO 22-S SUBSTITUTE TO ON543   | RTC                               | 1       |
| Q -012        | 4300250000             | BFR 90 POINT MARRON C.ENTREE  | * BFR 90 INPUT CHECK BROWN POINT | RTC                               | 1       |
| Q -013        | 4300310000             | BFO 22-S REMPLACE ON543       | * BFO 22-S SUBSTITUTE TO ON543   | RTC                               | 1       |
| Q -014        | 4300310000             | BFO 22-S REMPLACE ON543       | * BFO 22-S SUBSTITUTE TO ON543   | RTC                               | 1       |
| Q -015        | 4300310000             | BFO 22-S REMPLACE ON543       | * BFO 22-S SUBSTITUTE TO ON543   | RTC                               | 1       |
| Q -016        | 4300310000             | BFO 22-S REMPLACE ON543       | * BFO 22-S SUBSTITUTE TO ON543   | RTC                               | 1       |
| R -001        | 2210041000             | 100K 5% N4                    | * 100K 5% N4                     | SOUCOR                            | 1       |
| R -002        | 2210041000             | 100K 5% N4                    | * 100K 5% N4                     | SOUCOR                            | 1       |
| R -003        | 2210041000             | 100K 5% N4                    | * 100K 5% N4                     | SOUCOR                            | 1       |
| R -004        | 2210041000             | 100K 5% N4                    | * 100K 5% N4                     | SOUCOR                            | 1       |
| R -005        | 2210041000             | 100K 5% N4                    | * 100K 5% N4                     | SOUCOR                            | 1       |
| R -006        | 2210041000             | 100K 5% N4                    | * 100K 5% N4                     | SOUCOR                            | 1       |
| R -007        | 2210041000             | 100K 5% N4                    | * 100K 5% N4                     | SOUCOR                            | 1       |
| R -008        | 2210041000             | 100K 5% N4                    | * 100K 5% N4                     | SOUCOR                            | 1       |
| R -009        | 2210021000             | 1K0 5% N4                     | * 1K0 5% N4                      | SOUCOR                            | 1       |
| R -010        | 2210011000             | 100R 5% N4                    | * 100R 5% N4                     | SOUCOR                            | 1       |
| R -011        | 2905021000             | 1K 5,08 CC 5% NK3             | * 1K 5,08 CC 5% NK3              | SOUCOR                            | 1       |
| R -012        | 2905005100             | 51R 5,08 CC 5% NK3            | * 51R 5,08 CC 5% NK3             | SOUCOR                            | 1       |
| R -013        | 2905021000             | 1K 5,08 CC 5% NK3             | * 1K 5,08 CC 5% NK3              | SOUCOR                            | 1       |
| R -014        | 2905012200             | 220R 5,08 CC 5% NK3           | * 220R 5,08 CC 5% NK3            | SOUCOR                            | 1       |
| R -015        | 2905011000             | 100R 5,08 CC 5% NK3           | * 100R 5,08 CC 5% NK3            | SOUCOR                            | 1       |
| R -016        | 2210021200             | 1K2 5% N4                     | * 1K2 5% N4                      | SOUCOR                            | 1       |
| R -017        | 2905002200             | 22R 5,08 CC 5% NK3            | * 22R 5,08 CC 5% NK3             | SOUCOR                            | 1       |
| R -018        | 2905016800             | 680R 5,08 CC 5% NK3           | * 680R 5,08 CC 5% NK3            | SOUCOR                            | 1       |
| R -019        | 2905001500             | 15R 5,08 CC 5% NK3            | * 15R 5,08 CC 5% NK3             | SOUCOR                            | 1       |
| R -020        | 2905003900             | 39R 5,08 CC 5% NK3            | * 39R 5,08 CC 5% NK3             | SOUCOR                            | 1       |
| R -021        | 2905021000             | 1K 5,08 CC 5% NK3             | * 1K 5,08 CC 5% NK3              | SOUCOR                            | 1       |
| R -022        | 2905014700             | 470R 5,08 CC 5% NK3           | * 470R 5,08 CC 5% NK3            | SOUCOR                            | 1       |
| R -023        | 2905031500             | 15K 5,08 CC 5% NK3            | * 15K 5,08 CC 5% NK3             | SOUCOR                            | 1       |
| R -024        | 2905021000             | 1K 5,08 CC 5% NK3             | * 1K 5,08 CC 5% NK3              | SOUCOR                            | 1       |
| R -025        | 2905004700             | 47R 5,08 CC 5% NK3            | * 47R 5,08 CC 5% NK3             | SOUCOR                            | 1       |
| R -026        | 2210021800             | 1K8 5% N4                     | * 1K8 5% N4                      | SOUCOR                            | 1       |
| R -027        | 2905002700             | 27R 5,08 CC 5% NK3            | * 27R 5,08 CC 5% NK3             | SOUCOR                            | 1       |
| R -028        | 2905016800             | 680R 5,08 CC 5% NK3           | * 680R 5,08 CC 5% NK3            | SOUCOR                            | 1       |
| R -029        | 2905021000             | 1K 5,08 CC 5% NK3             | * 1K 5,08 CC 5% NK3              | SOUCOR                            | 1       |
| R -030        | 2905013300             | 330R 5,08 CC 5% NK3           | * 330R 5,08 CC 5% NK3            | SOUCOR                            | 1       |
| R -031        | 2210012200             | 220R 5% N4                    | * 220R 5% N4                     | SOUCOR                            | 1       |
| R -032        | 2210006800             | 68R 5% N4                     | * 68R 5% N4                      | SOUCOR                            | 1       |
| R -033        | 2210004700             | 47R 5% N4                     | * 47R 5% N4                      | SOUCOR                            | 1       |
| R -034        | 2210031200             | 12K 5% N4                     | * 12K 5% N4                      | SOUCOR                            | 1       |
| R -035        | 2210021000             | 1K0 5% N4                     | * 1K0 5% N4                      | SOUCOR                            | 1       |
| R -036        | 2210011200             | 120R 5% N4                    | * 120R 5% N4                     | SOUCOR                            | 1       |
| R -037        | 2905001000             | 10R 5,08 CC 5% NK3            | * 10R 5,08 CC 5% NK3             | SOUCOR                            | 1       |

| REPERE<br>INDEXE | REF. ADRET<br>PART NUMBER | DESCRIPTION  | PART DESCRIPTION      | FOURNISSEUR/PLAN<br>SUPPLIER/DRAWING | QTE<br>QTY |
|------------------|---------------------------|--------------|-----------------------|--------------------------------------|------------|
| R -038           | 2905006800                | 68R 5,08 CC  | 5Z NK3 * 68R 5,08 CC  | 5Z NK3 SOVCOR                        | 1          |
| R -039           | 2210011500                | 150R         | 5Z N4 * 150R          | 5Z N4 SOVCOR                         | 1          |
| R -040           | 2905005100                | 51R 5,08 CC  | 5Z NK3 * 51R 5,08 CC  | 5Z NK3 SOVCOR                        | 1          |
| R -041           | 2905016800                | 680R 5,08 CC | 5Z NK3 * 680R 5,08 CC | 5Z NK3 SOVCOR                        | 1          |
| R -042           | 2905005100                | 51R 5,08 CC  | 5Z NK3 * 51R 5,08 CC  | 5Z NK3 SOVCOR                        | 1          |
| R -043           | 2905005100                | 51R 5,08 CC  | 5Z NK3 * 51R 5,08 CC  | 5Z NK3 SOVCOR                        | 1          |
| R -044           | 2905016800                | 680R 5,08 CC | 5Z NK3 * 680R 5,08 CC | 5Z NK3 SOVCOR                        | 1          |
| R -045           | 2905004700                | 47R 5,08 CC  | 5Z NK3 * 47R 5,08 CC  | 5Z NK3 SOVCOR                        | 1          |
| R -046           | 2905004700                | 47R 5,08 CC  | 5Z NK3 * 47R 5,08 CC  | 5Z NK3 SOVCOR                        | 1          |
| R -047           | 2905004700                | 47R 5,08 CC  | 5Z NK3 * 47R 5,08 CC  | 5Z NK3 SOVCOR                        | 1          |
| R -048           | 2200031000                | 10K          | 5Z N4 * 10K           | 5Z N4 SOVCOR                         | 1          |
| R -049           | 2905004700                | 47R 5,08 CC  | 5Z NK3 * 47R 5,08 CC  | 5Z NK3 SOVCOR                        | 1          |
| R -050           | 2905001000                | 10R 5,08 CC  | 5Z NK3 * 10R 5,08 CC  | 5Z NK3 SOVCOR                        | 1          |
| R -051           | 2210016800                | 680R         | 5Z N4 * 680R          | 5Z N4 SOVCOR                         | 1          |
| R -052           | 2905005100                | 51R 5,08 CC  | 5Z NK3 * 51R 5,08 CC  | 5Z NK3 SOVCOR                        | 1          |
| R -053           | 2905016800                | 680R 5,08 CC | 5Z NK3 * 680R 5,08 CC | 5Z NK3 SOVCOR                        | 1          |
| R -054           | 2905036800                | 68K 5,08 CC  | 5Z NK3 * 68K 5,08 CC  | 5Z NK3 SOVCOR                        | 1          |
| R -055           | 2905001000                | 10R 5,08 CC  | 5Z NK3 * 10R 5,08 CC  | 5Z NK3 SOVCOR                        | 1          |
| R -056           | 2905001000                | 10R 5,08 CC  | 5Z NK3 * 10R 5,08 CC  | 5Z NK3 SOVCOR                        | 1          |
| R -057           | 2905005100                | 51R 5,08 CC  | 5Z NK3 * 51R 5,08 CC  | 5Z NK3 SOVCOR                        | 1          |
| R -058           | 2905005100                | 51R 5,08 CC  | 5Z NK3 * 51R 5,08 CC  | 5Z NK3 SOVCOR                        | 1          |
| R -059           | 2210022200                | 2K2          | 5Z N4 * 2K2           | 5Z N4 SOVCOR                         | 1          |
| R -060           | 2210013900                | 390R         | 5Z N4 * 390R          | 5Z N4 SOVCOR                         | 1          |
| R -061           | 2210021200                | 1K2          | 5Z N4 * 1K2           | 5Z N4 SOVCOR                         | 1          |
| R -062           | 2210013300                | 330R         | 5Z N4 * 330R          | 5Z N4 SOVCOR                         | 1          |
| R -063           | 2210021000                | 1K0          | 5Z N4 * 1K0           | 5Z N4 SOVCOR                         | 1          |
| R -064           | 2210024700                | 4K7          | 5Z N4 * 4K7           | 5Z N4 SOVCOR                         | 1          |
| R -065           | 2210011000                | 100R         | 5Z N4 * 100R          | 5Z N4 SOVCOR                         | 1          |
| R -066           | 2905005100                | 51R 5,08 CC  | 5Z NK3 * 51R 5,08 CC  | 5Z NK3 SOVCOR                        | 1          |
| R -067           | 2905016800                | 680R 5,08 CC | 5Z NK3 * 680R 5,08 CC | 5Z NK3 SOVCOR                        | 1          |
| R -068           | 2905024700                | 4K7 5,08 CC  | 5Z NK3 * 4K7 5,08 CC  | 5Z NK3 SOVCOR                        | 1          |
| R -069           | 2905001500                | 15R 5,08 CC  | 5Z NK3 * 15R 5,08 CC  | 5Z NK3 SOVCOR                        | 1          |
| R -070           | 2905014700                | 470R 5,08 CC | 5Z NK3 * 470R 5,08 CC | 5Z NK3 SOVCOR                        | 1          |
| R -071           | 2905002200                | 22R 5,08 CC  | 5Z NK3 * 22R 5,08 CC  | 5Z NK3 SOVCOR                        | 1          |
| R -072           | 2905011800                | 180R 5,08 CC | 5Z NK3 * 180R 5,08 CC | 5Z NK3 SOVCOR                        | 1          |
| R -073           | 2210015600                | 560R         | 5Z N4 * 560R          | 5Z N4 SOVCOR                         | 1          |
| R -074           | 2905001500                | 15R 5,08 CC  | 5Z NK3 * 15R 5,08 CC  | 5Z NK3 SOVCOR                        | 1          |
| R -075           | 2210012200                | 220R         | 5Z N4 * 220R          | 5Z N4 SOVCOR                         | 1          |
| R -076           | 2210021000                | 1K0          | 5Z N4 * 1K0           | 5Z N4 SOVCOR                         | 1          |
| R -077           | 2905012200                | 220R 5,08 CC | 5Z NK3 * 220R 5,08 CC | 5Z NK3 SOVCOR                        | 1          |
| R -078           | 2210012700                | 270R         | 5Z N4 * 270R          | 5Z N4 SOVCOR                         | 1          |
| R -080           | 2905001000                | 10R 5,08 CC  | 5Z NK3 * 10R 5,08 CC  | 5Z NK3 SOVCOR                        | 1          |
| R -081           | 2905006800                | 68R 5,08 CC  | 5Z NK3 * 68R 5,08 CC  | 5Z NK3 SOVCOR                        | 1          |
| R -082           | 2905013300                | 330R 5,08 CC | 5Z NK3 * 330R 5,08 CC | 5Z NK3 SOVCOR                        | 1          |
| R -083           | 2905021200                | 1K2 5,08 CC  | 5Z NK3 * 1K2 5,08 CC  | 5Z NK3 SOVCOR                        | 1          |
| R -084           | 2905021200                | 1K2 5,08 CC  | 5Z NK3 * 1K2 5,08 CC  | 5Z NK3 SOVCOR                        | 1          |
| R -085           | 2905001500                | 15R 5,08 CC  | 5Z NK3 * 15R 5,08 CC  | 5Z NK3 SOVCOR                        | 1          |
| R -086           | 2905011000                | 100R 5,08 CC | 5Z NK3 * 100R 5,08 CC | 5Z NK3 SOVCOR                        | 1          |
| R -087           | 2210015600                | 560R         | 5Z N4 * 560R          | 5Z N4 SOVCOR                         | 1          |
| R -088           | 2210021000                | 1K0          | 5Z N4 * 1K0           | 5Z N4 SOVCOR                         | 1          |
| R -089           | 2905012200                | 220R 5,08 CC | 5Z NK3 * 220R 5,08 CC | 5Z NK3 SOVCOR                        | 1          |
| R -090           | 2905002200                | 22R 5,08 CC  | 5Z NK3 * 22R 5,08 CC  | 5Z NK3 SOVCOR                        | 1          |
| R -091           | 2905015600                | 560R 5,08 CC | 5Z NK3 * 560R 5,08 CC | 5Z NK3 SOVCOR                        | 1          |
| R -092           | 2905001500                | 15R 5,08 CC  | 5Z NK3 * 15R 5,08 CC  | 5Z NK3 SOVCOR                        | 1          |
| R -093           | 2905002200                | 22R 5,08 CC  | 5Z NK3 * 22R 5,08 CC  | 5Z NK3 SOVCOR                        | 1          |
| R -094           | 2905033900                | 39K 5,08 CC  | 5Z NK3 * 39K 5,08 CC  | 5Z NK3 SOVCOR                        | 1          |
| R -095           | 2905012700                | 270R 5,08 CC | 5Z NK3 * 270R 5,08 CC | 5Z NK3 SOVCOR                        | 1          |
| R -096           | 2905012700                | 270R 5,08 CC | 5Z NK3 * 270R 5,08 CC | 5Z NK3 SOVCOR                        | 1          |
| R -097           | 2905015600                | 560R 5,08 CC | 5Z NK3 * 560R 5,08 CC | 5Z NK3 SOVCOR                        | 1          |
| R -098           | 2905002200                | 22R 5,08 CC  | 5Z NK3 * 22R 5,08 CC  | 5Z NK3 SOVCOR                        | 1          |
| R -099           | 2905001500                | 15R 5,08 CC  | 5Z NK3 * 15R 5,08 CC  | 5Z NK3 SOVCOR                        | 1          |
| R -100           | 2905002200                | 22R 5,08 CC  | 5Z NK3 * 22R 5,08 CC  | 5Z NK3 SOVCOR                        | 1          |
| R -101           | 2210014700                | 470R         | 5Z N4 * 470R          | 5Z N4 SOVCOR                         | 1          |
| R -102           | 2905014700                | 470R 5,08 CC | 5Z NK3 * 470R 5,08 CC | 5Z NK3 SOVCOR                        | 1          |
| R -103           | 2905011000                | 100R 5,08 CC | 5Z NK3 * 100R 5,08 CC | 5Z NK3 SOVCOR                        | 1          |
| R -104           | 2905002200                | 22R 5,08 CC  | 5Z NK3 * 22R 5,08 CC  | 5Z NK3 SOVCOR                        | 1          |
| R -105           | 2905001500                | 15R 5,08 CC  | 5Z NK3 * 15R 5,08 CC  | 5Z NK3 SOVCOR                        | 1          |
| R -106           | 2905014700                | 470R 5,08 CC | 5Z NK3 * 470R 5,08 CC | 5Z NK3 SOVCOR                        | 1          |
| R -107           | 2905002200                | 22R 5,08 CC  | 5Z NK3 * 22R 5,08 CC  | 5Z NK3 SOVCOR                        | 1          |
| R -108           | 2905015600                | 560R 5,08 CC | 5Z NK3 * 560R 5,08 CC | 5Z NK3 SOVCOR                        | 1          |
| R -109           | 2905012700                | 270R 5,08 CC | 5Z NK3 * 270R 5,08 CC | 5Z NK3 SOVCOR                        | 1          |
| R -110           | 2905041000                | 100K 5,08 CC | 5Z NK3 * 100K 5,08 CC | 5Z NK3 SOVCOR                        | 1          |
| R -111           | 2905033900                | 39K 5,08 CC  | 5Z NK3 * 39K 5,08 CC  | 5Z NK3 SOVCOR                        | 1          |
| R -112           | 2905033900                | 39K 5,08 CC  | 5Z NK3 * 39K 5,08 CC  | 5Z NK3 SOVCOR                        | 1          |
| R -113           | 2905041000                | 100K 5,08 CC | 5Z NK3 * 100K 5,08 CC | 5Z NK3 SOVCOR                        | 1          |
| R -114           | 2905022200                | 2K2 5,08 CC  | 5Z NK3 * 2K2 5,08 CC  | 5Z NK3 SOVCOR                        | 1          |
| R -115           | 2905022200                | 2K2 5,08 CC  | 5Z NK3 * 2K2 5,08 CC  | 5Z NK3 SOVCOR                        | 1          |
| R -116           | 2905003300                | 33R 5,08 CC  | 5Z NK3 * 33R 5,08 CC  | 5Z NK3 SOVCOR                        | 1          |
| R -117           | 2905033900                | 39K 5,08 CC  | 5Z NK3 * 39K 5,08 CC  | 5Z NK3 SOVCOR                        | 1          |

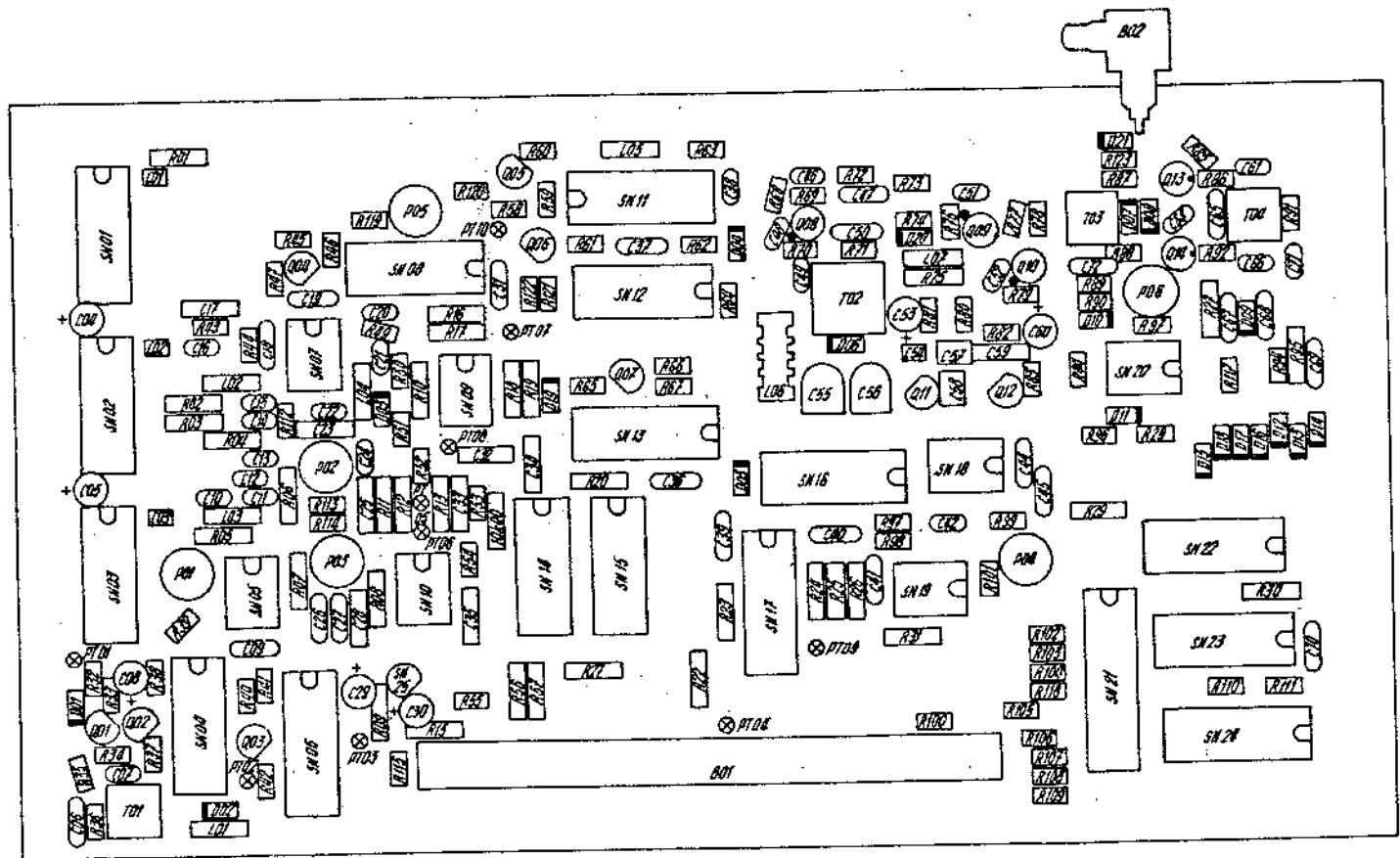


| REPERE INDEXE | REF. ADRET PART NUMBER | DESCRIPTION                     | PART DESCRIPTION               | FOURNISSEUR/PLAN SUPPLIER/DRAWING | QTE QTY |
|---------------|------------------------|---------------------------------|--------------------------------|-----------------------------------|---------|
| R -118        | 2905002200             | 22R 5,08 CC 5% NK3 *            | 22R 5,08 CC 5% NK3             | SOUCOR                            | 1       |
| SN -001       | 4160455600             | C-MOS 4556 .....                | C-MOS 4556 .....               | RTC                               | 1       |
| SN -002       | 4160404200             | C-MOS 4042 .....                | C-MOS 4042 .....               | RTC                               | 1       |
| SN -003       | 4160405100             | C-MOS 4051 .....                | C-MOS 4051 .....               | RTC                               | 1       |
| SN -004       | 4101010900             | MC 10109 L 'CERAMIQUE' .....    | MC 10109 L 'CERAMIC' .....     | MOTOROLA                          | 1       |
| SN -005       | 4157416200             | SN 74 LS 162 N 3 .....          | SN 74 LS 162 N 3 .....         | TEXAS                             | 1       |
| SN -006       | 4150743000             | SN 74 LS 30 N 3 .....           | SN 74 LS 30 N 3 .....          | TEXAS                             | 1       |
| SN -007       | 4101013100             | MC 10131 P .....                | MC 10131 P .....               | MOTOROLA                          | 1       |
| SN -008       | 0276050000             | 00 ME2 MODULATEUR ADRET... ME2  | 00 ME2 MODULATOR ADRET... ME2  | A93.....                          | 1       |
| J -001        | 0219530000             | 01 BOUTON H20 3X1 SPIRES        | 01 BUTTON H20 3X1 TURNS.       | Z94 BH20.....4                    | 1       |
| T -002        | 0219140000             | 02 BOUTON H20 3+3X3+3 SPIRES    | 02 BUTTON H20 3+3X3+3 TURNS.   | Z94 BH20.....12                   | 1       |
| Z1            | 1100040000             | FIL ORANGE .....                | ORANGE THREAD .....            | KY30-04 FILECA                    | 0       |
| Z1            | 1100530000             | FIL.NU.ETAME.6/10 .....         | TINNED BARE THREAD 6/10 .....  | ELECTROFIL                        | 0       |
| Z1            | 1100540000             | FIL.NU.ETAME.8/10 .....         | TINNED BARE THREAD 8/10 .....  | ELECTROFIL                        | 0       |
| Z1            | 1100590000             | COAX RIGIDE 50 OHM . BA-50-085  | RIGID COAX 50 OHM . BA-50-085  | SEAELECTRO                        | 0       |
| Z1            | 1100600000             | FIL CUIVRE EMAIL SOUD. 60/100E  | THREAD 60/100E .....           | ELECTROFIL                        | 0       |
| Z1            | 1100820000             | TEFLON VERT REF ET JE 32 01     | GREEN TEFLON REF ET JE 32 01   | FILECA                            | 0       |
| Z1            | 1274780900             | CI PAS DE 2MHZ ..... 730A       | 2 MHZ STEPS PC ..... 730A      | L997478.....TM                    | 1       |
| Z1            | 1300600000             | SOUPLISSO 1X1.2 COUL. NATUREL   | SPAGHETTI 1X1.2 GRAY COLORED   | HABIA                             | 0       |
| Z1            | 1400109900             | POINT TEST                      | TEST POINT                     | C940850                           | 1       |
| Z1            | 1400225500             | EMBASE COAXIALE "TEST" TR 540   | TEST POINT HF ..... TR 540     | TRELEC(A932998)                   | 4       |
| Z4            | 4900310000             | 16 SUPPORT C.I. DIL J23-5016    | 16 CONNECTOR P.C. DIL J23-5016 | JERMYN                            | 1       |
| Z5            | 5500010000             | H20(4,1X2X3) .....              | H20(4,1X2X3) .....             | LCC-COFELEC                       | 1       |
| Z5            | 5500170000             | TORE 4B1 3,7X1,2X3,5 .....      | TORE 4B1 3,7X1,2X3,5 .....     | RTC                               | 1       |
| Z6            | 6108010400             | ACF 2,5X4 BOMBEE TAPTITE CRUCI  | STE 2,5X4 CURVED TAPTITE CRUCI | GAUBIN DAUDE                      | 1       |
| Z6            | 6130120800             | LAD 2 X 8 CYLINDRIQUE FENDUE    | LAD 2 X 8 CYLINDRIQUE FENDUE   |                                   | 2       |
| Z6            | 6130121000             | LAD 2 X10 CYLINDRIQUE FENDUE    | LAD 2 X10 CYLINDRIQUE FENDUE   | SAGIC                             | 7       |
| Z6            | 6140120600             | TC M2 X 6 U NFE27-115-4,6 INOX  | TC M2 X 6 U NFE27-115-4,6 INOX | BD                                | 13      |
| Z6            | 6152031000             | NYL 3 X10 HEXAGONALE FENDUE     | NYL 3 X10 HEXAGONAL SLOT ..... | SAGIC                             | 1       |
| Z6            | 6255030000             | NYL 3 HEX. USUEL .... N°35      | NYL 3 USUAL HEXAGON ... N°35   | MFOM                              | 1       |
| Z6            | 6400530000             | OUILLET LAITON ..... N° 2070    | FIXING EYELET BRASS .. N° 2070 | MFOM                              | 6       |
| Z6            | 6900990000             | BANDE CLIP-ON .. REF 97-620-02  | CLIP-ON BAND ... REF 97-620-02 | PHYTRONIC                         | 0       |
| Z8            | 0280081115             | COUVERCLE PAS DE 2MHZ ... 730A  | 2MHZ STEPS COVER ..... 730A    | B94.....                          | 1       |
| Z8            | 8008020100             | BARRETTE FIXAT. CARTE(M2) 740A  | (M2) BOARD ANCHOR BAR ... 740A | B94.....                          | 1       |
| Z8            | 8008110900             | TOLE BLINDAGE ..... 730A        | SHIELDING SHEET ..... 730A     | A94.....                          | 2       |
| Z8            | 8008120500             | PROFILE BLINDAGE H 4 .... 730A  | SHIELDING FORM H 4 ..... 730A  | A94.....                          | 1       |
| Z8            | 8008120600             | PROFILE BLINDAGE H 10 ... 730A  | SHIELDING FORM H 10 ... 730A   | A94.....                          | 1       |
| Z8            | 8108071000             | FROTTEUR CONTACT MASSE '2' 740A | GROUND CONTACT WIPER '2' 740A  |                                   | 2       |
| Z8            | 8108171900             | CONTACT MASSE COUVERCLE . 730A  | COVER GROUND CONTACT .... 730A | ADRET                             | 1       |

28



28



|                           |         |                                     |                  |
|---------------------------|---------|-------------------------------------|------------------|
| <b>ADRET ELECTRONIQUE</b> |         | <small>100% QUALITY CONTROL</small> |                  |
| MODULATIONS 2             |         | MODULATIONS BOARD                   |                  |
| DATE 07 06 85             | ETUDE 5 | DESIGN 5                            | REF 970274800100 |

| REPERE INDEXE | REF. ADRET PART NUMBER | DESCRIPTION                               | PART DESCRIPTION                 | FOURNISSEUR/PLAN SUPPLIER/DRAWING | QTE QTY |
|---------------|------------------------|---|----------------------------------|-----------------------------------|---------|
| B             | -001                   | 0205200000 00 COAX '250'.....L250 .. 740A | * 00 COAX '250'.....L250 .. 740A | ADRET.....                        | 1       |
| B             | -002                   | 1431001300 TM 31 MCIG ..... MALE*CARTE*   | * TM 31 MCIG ..... TRELEC        |                                   | 1       |
| C             | -001                   | 1400215600 KMV11 EMBASE COUDEE FIXAT.PANN | * KMV11BENDEE SOCKET PAN. ANCHOR | RADIALL                           | 1       |
| C             | -002                   | 3810021000 CHIPS 1 NF 10% 63V SNPB CEC 2E | * CHIPS 1 NF 10% 63V SNPB CEC 2E | EUROFARAD                         | 1       |
| C             | -003                   | 3810021000 CHIPS 1 NF 10% 63V SNPB CEC 2E | * CHIPS 1 NF 10% 63V SNPB CEC 2E | EUROFARAD                         | 1       |
| C             | -004                   | 3810021000 CHIPS 1 NF 10% 63V SNPB CEC 2E | * CHIPS 1 NF 10% 63V SNPB CEC 2E | EUROFARAD                         | 1       |
| C             | -005                   | 3700100000 4,7MMF/35V 5,08 .. STAND L TAG | * 4,7MMF/35V 5,08 ...STAND L TAG | STC                               | 1       |
| C             | -006                   | 3700100000 4,7MMF/35V 5,08 .. STAND L TAG | * 4,7MMF/35V 5,08 ...STAND L TAG | STC                               | 1       |
| C             | -007                   | 3150031000 10NF 5,08 63V GOX 767 14       | * 10NF 5,08 63V GOX 767 14       | LCC                               | 1       |
| C             | -008                   | 3120011200 120PF 2,5 'N12'2222 680 58 121 | * 120PF 2,5 'N12'2222 680 58 121 | COGECO                            | 1       |
| C             | -009                   | 3700100000 4,7MMF/35V 5,08 .. STAND L TAG | * 4,7MMF/35V 5,08 ...STAND L TAG | STC                               | 1       |
| C             | -010                   | 3150042200 0,22MMF 5 50V20% 3439050 E224M | * 0,22MMF 5 50V20% 3439050 E224M | AUX                               | 1       |
| C             | -011                   | 3120011000 100PF 2,5 'N10'2222 680 58 101 | * 100PF 2,5 'N10'2222 680 58 101 | COGECO                            | 1       |
| C             | -012                   | 3120011000 100PF 2,5 'N10'2222 680 58 101 | * 100PF 2,5 'N10'2222 680 58 101 | COGECO                            | 1       |
| C             | -013                   | 3120098200 8,2PF 2,5'E' 2222 680 09 828   | * 8,2PF 2,5'E' 2222 680 09 828   | COGECO                            | 1       |
| C             | -014                   | 3120011000 100PF 2,5 'N10'2222 680 58 101 | * 100PF 2,5 'N10'2222 680 58 101 | COGECO                            | 1       |
| C             | -015                   | 3120098200 8,2PF 2,5'E' 2222 680 09 828   | * 8,2PF 2,5'E' 2222 680 09 828   | COGECO                            | 1       |
| C             | -016                   | 3120004700 47PF 2,5 2222 680 10 479       | * 47PF 2,5 2222 680 10 479       | COGECO                            | 1       |
| C             | -017                   | 3233100300 10NF 5,08 10% IRD607           | * 10NF 5,08 10% IRD607           | LCC                               | 1       |
| C             | -018                   | 3150042200 0,22MMF 5 50V20% 3439050 E224M | * 0,22MMF 5 50V20% 3439050 E224M | AUX                               | 1       |
| C             | -019                   | 3150042200 0,22MMF 5 50V20% 3439050 E224M | * 0,22MMF 5 50V20% 3439050 E224M | AUX                               | 1       |
| C             | -020                   | 3120011500 150PF 2,5 'N15'2222 680 58 151 | * 150PF 2,5 'N15'2222 680 58 151 | COGECO                            | 1       |
| C             | -021                   | 3120001200 12PF 2,5 'G' 2222 680 10 129   | * 12PF 2,5 'G' 2222 680 10 129   | COGECO                            | 1       |
| C             | -022                   | 3120008200 82PF 2,5 2222 680 10 829       | * 82PF 2,5 2222 680 10 829       | COGECO                            | 1       |
| C             | -023                   | 3233100300 10NF 5,08 10% IRD607           | * 10NF 5,08 10% IRD607           | LCC                               | 1       |
| C             | -024                   | 3120004700 47PF 2,5 2222 680 10 479       | * 47PF 2,5 2222 680 10 479       | COGECO                            | 1       |
| C             | -025                   | 3234100400 0,1 MMF 5,08 10% IRD607        | * 0,1 MMF 5,08 10% IRD607        | LCC                               | 1       |
| C             | -026                   | 3150042200 0,22MMF 5 50V20% 3439050 E224M | * 0,22MMF 5 50V20% 3439050 E224M | AUX                               | 1       |
| C             | -027                   | 3150042200 0,22MMF 5 50V20% 3439050 E224M | * 0,22MMF 5 50V20% 3439050 E224M | AUX                               | 1       |
| C             | -028                   | 3234100400 0,1 MMF 5,08 10% IRD607        | * 0,1 MMF 5,08 10% IRD607        | LCC                               | 1       |
| C             | -029                   | 3700100000 4,7MMF/35V 5,08 .. STAND L TAG | * 4,7MMF/35V 5,08 ...STAND L TAG | STC                               | 1       |
| C             | -030                   | 3700160000 10MMF/25V 5,08 .. STAND L TAG  | * 10MMF/25V 5,08 ...STAND L TAG  | STC                               | 1       |
| C             | -031                   | 3150042200 0,22MMF 5 50V20% 3439050 E224M | * 0,22MMF 5 50V20% 3439050 E224M | AUX                               | 1       |
| C             | -032                   | 3234100400 0,1 MMF 5,08 10% IRD607        | * 0,1 MMF 5,08 10% IRD607        | LCC                               | 1       |
| C             | -033                   | 3233100300 10NF 5,08 10% IRD607           | * 10NF 5,08 10% IRD607           | LCC                               | 1       |
| C             | -034                   | 3233100300 10NF 5,08 10% IRD607           | * 10NF 5,08 10% IRD607           | LCC                               | 1       |
| C             | -035                   | 3233100300 10NF 5,08 10% IRD607           | * 10NF 5,08 10% IRD607           | LCC                               | 1       |
| C             | -036                   | 3150042200 0,22MMF 5 50V20% 3439050 E224M | * 0,22MMF 5 50V20% 3439050 E224M | AUX                               | 1       |
| C             | -037                   | 3150042200 0,22MMF 5 50V20% 3439050 E224M | * 0,22MMF 5 50V20% 3439050 E224M | AUX                               | 1       |
| C             | -038                   | 3120002700 27PF 2,5 'L' 2222 680 10 279   | * 27PF 2,5 'L' 2222 680 10 279   | COGECO                            | 1       |
| C             | -039                   | 3150042200 0,22MMF 5 50V20% 3439050 E224M | * 0,22MMF 5 50V20% 3439050 E224M | AUX                               | 1       |
| C             | -040                   | 3150042200 0,22MMF 5 50V20% 3439050 E224M | * 0,22MMF 5 50V20% 3439050 E224M | AUX                               | 1       |
| C             | -041                   | 3150042200 0,22MMF 5 50V20% 3439050 E224M | * 0,22MMF 5 50V20% 3439050 E224M | AUX                               | 1       |
| C             | -042                   | 3120013300 330PF 2,5 'N33'2222 680 58 331 | * 330PF 2,5 'N33'2222 680 58 331 | COGECO                            | 1       |
| C             | -044                   | 3150042200 0,22MMF 5 50V20% 3439050 E224M | * 0,22MMF 5 50V20% 3439050 E224M | AUX                               | 1       |
| C             | -045                   | 3150042200 0,22MMF 5 50V20% 3439050 E224M | * 0,22MMF 5 50V20% 3439050 E224M | AUX                               | 1       |
| C             | -046                   | 3120021000 1 NF 2,5 2222 630 51 102       | * 1 NF 2,5 2222 630 51 102       | COGECO                            | 1       |
| C             | -047                   | 3150042200 0,22MMF 5 50V20% 3439050 E224M | * 0,22MMF 5 50V20% 3439050 E224M | AUX                               | 1       |
| C             | -048                   | 3120098200 8,2PF 2,5'E' 2222 680 09 828   | * 8,2PF 2,5'E' 2222 680 09 828   | COGECO                            | 1       |
| C             | -049                   | 3120021000 1 NF 2,5 2222 630 51 102       | * 1 NF 2,5 2222 630 51 102       | COGECO                            | 1       |
| C             | -050                   | 3150042200 0,22MMF 5 50V20% 3439050 E224M | * 0,22MMF 5 50V20% 3439050 E224M | AUX                               | 1       |
| C             | -051                   | 3120098200 8,2PF 2,5'E' 2222 680 09 828   | * 8,2PF 2,5'E' 2222 680 09 828   | COGECO                            | 1       |
| C             | -052                   | 3120098200 8,2PF 2,5'E' 2222 680 09 828   | * 8,2PF 2,5'E' 2222 680 09 828   | COGECO                            | 1       |
| C             | -053                   | 3700160000 10MMF/25V 5,08 .. STAND L TAG  | * 10MMF/25V 5,08 ...STAND L TAG  | STC                               | 1       |
| C             | -054                   | 3810021000 CHIPS 1 NF 10% 63V SNPB CEC 2E | * CHIPS 1 NF 10% 63V SNPB CEC 2E | EUROFARAD                         | 1       |
| C             | -055                   | 3600050000 2/10 PF ... REF C010 808 23109 | * 2/10 PF ... REF C010 808 23109 | RTC (C010)                        | 1       |
| C             | -056                   | 3600050000 2/10 PF ... REF C010 808 23109 | * 2/10 PF ... REF C010 808 23109 | RTC (C010)                        | 1       |
| C             | -057                   | 3309470000 47PF 2,5 5% 160V ... CA152     | * 47PF 2,5 5% 160V ... CA152     | CONDENSATEUR PI                   | 1       |
| C             | -058                   | 3309470000 47PF 2,5 5% 160V ... CA152     | * 47PF 2,5 5% 160V ... CA152     | CONDENSATEUR PI                   | 1       |
| C             | -059                   | 3234100400 0,1 MMF 5,08 10% IRD607        | * 0,1 MMF 5,08 10% IRD607        | LCC                               | 1       |
| C             | -060                   | 3700160000 10MMF/25V 5,08 .. STAND L TAG  | * 10MMF/25V 5,08 ...STAND L TAG  | STC                               | 1       |
| C             | -061                   | 3120002200 22PF 2,5 'K' 2222 680 10 229   | * 22PF 2,5 'K' 2222 680 10 229   | COGECO                            | 1       |
| C             | -064                   | 3120091000 1 PF 2,5 'T' 2222 680 03 108   | * 1 PF 2,5 'T' 2222 680 03 108   | COGECO                            | 1       |
| C             | -065                   | 3150042200 0,22MMF 5 50V20% 3439050 E224M | * 0,22MMF 5 50V20% 3439050 E224M | AUX                               | 1       |
| C             | -066                   | 3120002200 22PF 2,5 'K' 2222 680 10 229   | * 22PF 2,5 'K' 2222 680 10 229   | COGECO                            | 1       |
| C             | -067                   | 3150042200 0,22MMF 5 50V20% 3439050 E224M | * 0,22MMF 5 50V20% 3439050 E224M | AUX                               | 1       |
| C             | -068                   | 3150042200 0,22MMF 5 50V20% 3439050 E224M | * 0,22MMF 5 50V20% 3439050 E224M | AUX                               | 1       |
| C             | -069                   | 3150042200 0,22MMF 5 50V20% 3439050 E224M | * 0,22MMF 5 50V20% 3439050 E224M | AUX                               | 1       |
| C             | -070                   | 3150042200 0,22MMF 5 50V20% 3439050 E224M | * 0,22MMF 5 50V20% 3439050 E224M | AUX                               | 1       |
| C             | -071                   | 3120021000 1 NF 2,5 2222 630 51 102       | * 1 NF 2,5 2222 630 51 102       | COGECO                            | 1       |
| C             | -072                   | 3150042200 0,22MMF 5 50V20% 3439050 E224M | * 0,22MMF 5 50V20% 3439050 E224M | AUX                               | 1       |
| D             | -001                   | 4500310000 1 N 4448                       | * 1 N 4448                       | ITT                               | 1       |
| D             | -002                   | 4500310000 1 N 4448                       | * 1 N 4448                       | ITT                               | 1       |
| D             | -003                   | 4500310000 1 N 4448                       | * 1 N 4448                       | ITT                               | 1       |
| D             | -004                   | 4500310000 1 N 4448                       | * 1 N 4448                       | ITT                               | 1       |
| D             | -005                   | 4600100000 ZPD7,5                         | * ZPD7,5                         | ITT                               | 1       |
| D             | -006                   | 4500450000 BB 409 (STANDARD)              | * BB 409 (STANDARD)              | SIEMENS                           | 1       |
| D             | -007                   | 4500540000 1N6263 D035 (EX ESM247&246)    | * 1N6263 (SUBSTIT. ESM247&246)   | RTC                               | 1       |

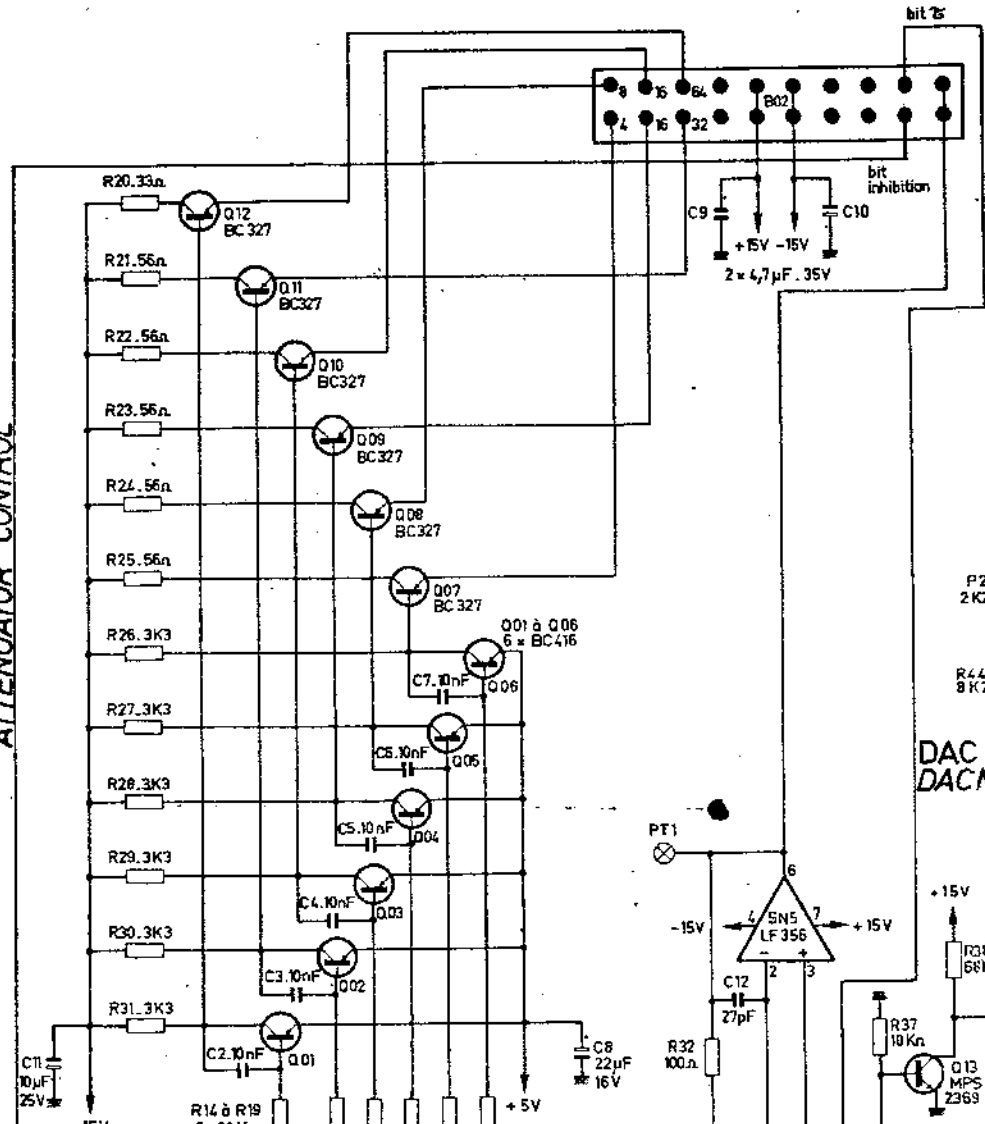
\*0274800100 10 MODULATIONS '2' ..... 730A \* 10 MODULATIONS '2' ..... 730A M92.....C98F97 \*

| REPERE INDEXE | REF. ADRET PART NUMBER | DESCRIPTION                   | PART DESCRIPTION                 | FOURNISSEUR/PLAN SUPPLIER/DRAWING | QTE QTY |
|---------------|------------------------|-------------------------------|----------------------------------|-----------------------------------|---------|
| D -008        | 4500540000             | 1N6263 0035 (EX ESM247&246)   | * 1N6263 (SUBSTIT. ESM247&246)   | RTC                               | 1       |
| D -009        | 4600100000             | ZP07.5                        | * ZP07.5                         | ITT                               | 1       |
| D -010        | 4500200100             | BA 282                        | * BA 282                         | SIEMENS                           | 1       |
| D -011        | 4500020000             | 1N4151                        | * 1N4151                         | FU'ITT                            | 1       |
| D -012        | 4500020000             | 1N4151                        | * 1N4151                         | FU'ITT                            | 1       |
| D -013        | 4500020000             | 1N4151                        | * 1N4151                         | FU'ITT                            | 1       |
| D -014        | 4500020000             | 1N4151                        | * 1N4151                         | FU'ITT                            | 1       |
| D -015        | 4500020000             | 1N4151                        | * 1N4151                         | FU'ITT                            | 1       |
| D -016        | 4500020000             | 1N4151                        | * 1N4151                         | FU'ITT                            | 1       |
| D -017        | 4500020000             | 1N4151                        | * 1N4151                         | FU'ITT                            | 1       |
| D -018        | 4500020000             | 1N4151                        | * 1N4151                         | FU'ITT                            | 1       |
| D -019        | 4500020000             | 1N4151                        | * 1N4151                         | FU'ITT                            | 1       |
| D -020        | 4500200100             | BA 282                        | * BA 282                         | SIEMENS                           | 1       |
| D -021        | 4500200100             | BA 282                        | * BA 282                         | SIEMENS                           | 1       |
| L -001        | 0219720000             | 00 SELF 20MMH (EX 530336)     | * 00 SELF 20MMH (EX 530336)      | ADRET                             | 1       |
| L -002        | 5300460000             | 100MMH ORE 53870 DEL 1025-68  | * 100MMH ORE 53870 DEL 1025-68   | OREGA DELEVAN                     | 1       |
| L -003        | 5300460000             | 100MMH ORE 53870 DEL 1025-68  | * 100MMH ORE 53870 DEL 1025-68   | OREGA DELEVAN                     | 1       |
| L -004        | 5300520000             | 330MMH ORE 53882 DEL 1025-80  | * 330MMH ORE 53882 DEL 1025-80   | OREGA DELEVAN                     | 1       |
| L -005        | 5300360000             | 15MMH ORE 53850 DEL 1025-48   | * 15MMH ORE 53850 DEL 1025-48    | OREGA DELEVAN                     | 1       |
| L -006        | 0218330000             | 00 SELF BAQ OSCILLATEUR 7100A | * OSCILLATOR MODULE COIL 7100A   | ADRET                             | 1       |
| L -007        | 5300090000             | 0.068MMH REF 53813            | * 0.068MMH REF 53813             | 'FU'OREGA                         | 1       |
| P -001        | 2153100000             | 10K T05 CERMET T 7 YA         | * 10K T05 CERMET T 7 YA          | SFERNICE                          | 1       |
| P -002        | 2152100000             | 1 K T05 CERMET T 7 YA         | * 1 K T05 CERMET T 7 YA          | SFERNICE                          | 1       |
| P -003        | 2154100000             | 100K T05 CERMET T 7 YA        | * 100K T05 CERMET T 7 YA         | SFERNICE                          | 1       |
| P -004        | 2152100000             | 1 K T05 CERMET T 7 YA         | * 1 K T05 CERMET T 7 YA          | SFERNICE                          | 1       |
| P -005        | 2152100000             | 1 K T05 CERMET T 7 YA         | * 1 K T05 CERMET T 7 YA          | SFERNICE                          | 1       |
| P -006        | 2150470000             | 47R T05 CERMET T 7 YA         | * 47R T05 CERMET T 7 YA          | SFERNICE                          | 1       |
| Q -001        | 4300600000             | MPS 3640                      | * MPS 3640                       | MOTOROLA                          | 1       |
| Q -002        | 4300600000             | MPS 3640                      | * MPS 3640                       | MOTOROLA                          | 1       |
| Q -003        | 4300150000             | MPS 2369                      | * MPS 2369                       | MOTOROLA                          | 1       |
| Q -004        | 4300150000             | MPS 2369                      | * MPS 2369                       | MOTOROLA                          | 1       |
| Q -005        | 4300600000             | MPS 3640                      | * MPS 3640                       | MOTOROLA                          | 1       |
| Q -006        | 4300600000             | MPS 3640                      | * MPS 3640                       | MOTOROLA                          | 1       |
| Q -007        | 4300150000             | MPS 2369                      | * MPS 2369                       | MOTOROLA                          | 1       |
| Q -008        | 4300720000             | BFY 90                        | * BFY 90                         | RTC                               | 1       |
| Q -009        | 4300720000             | BFY 90                        | * BFY 90                         | RTC                               | 1       |
| Q -010        | 4300720000             | BFY 90                        | * BFY 90                         | RTC                               | 1       |
| Q -011        | 4400140000             | BF 256 B (EX 2458)            | * BF 256 B (EX 2458)             | RTC                               | 1       |
| Q -012        | 4400140000             | BF 256 B (EX 2458)            | * BF 256 B (EX 2458)             | RTC                               | 1       |
| Q -013        | 4300370000             | BFT 95 POINT VERT CE          | * BFT 95 INPUT CHECK GREEN POINT | AEG                               | 1       |
| Q -014        | 4300370000             | BFT 95 POINT VERT CE          | * BFT 95 INPUT CHECK GREEN POINT | AEG                               | 1       |
| R -001        | 2210022200             | 2K2 5% N4                     | * 2K2 5% N4                      | SOUCOR                            | 1       |
| R -002        | 2500115800             | 1K58 * 1% 0.3 W SMA207        | * 1K58 * 1% 0.3 W SMA207         | DRALORIC                          | 1       |
| R -003        | 2500115800             | 1K58 * 1% 0.3 W SMA207        | * 1K58 * 1% 0.3 W SMA207         | DRALORIC                          | 1       |
| R -004        | 2500213000             | 13K0 * 1% 0.3 W SMA207        | * 13K0 * 1% 0.3 W SMA207         | DRALORIC                          | 1       |
| R -005        | 2500175000             | 7K50 * 1% 0.3 W SMA207        | * 7K50 * 1% 0.3 W SMA207         | DRALORIC                          | 1       |
| R -006        | 2500213000             | 13K0 * 1% 0.3 W SMA207        | * 13K0 * 1% 0.3 W SMA207         | DRALORIC                          | 1       |
| R -007        | 2500175000             | 7K50 * 1% 0.3 W SMA207        | * 7K50 * 1% 0.3 W SMA207         | DRALORIC                          | 1       |
| R -008        | 2210051000             | 1M 5% N4                      | * 1M 5% N4                       | SOUCOR                            | 1       |
| R -009        | 2500024900             | 249R * 1% 0.3 W SMA207        | * 249R * 1% 0.3 W SMA207         | DRALORIC                          | 1       |
| R -010        | 2500210000             | 10K0 * 1% 0.3 W SMA207        | * 10K0 * 1% 0.3 W SMA207         | DRALORIC                          | 1       |
| R -011        | 2200056800             | 6M8 5% CB                     | * 6M8 5% CB                      | ALLEN BRADLEY                     | 1       |
| R -012        | 2500157600             | 5K76 * 1% 0.3 W SMA207        | * 5K76 * 1% 0.3 W SMA207         | DRALORIC                          | 1       |
| R -013        | 2500212700             | 12K7 * 1% 0.3 W SMA207        | * 12K7 * 1% 0.3 W SMA207         | DRALORIC                          | 1       |
| R -014        | 2500210000             | 10K0 * 1% 0.3 W SMA207        | * 10K0 * 1% 0.3 W SMA207         | DRALORIC                          | 1       |
| R -015        | 2500117400             | 1K74 * 1% 0.3 W SMA207        | * 1K74 * 1% 0.3 W SMA207         | DRALORIC                          | 1       |
| R -016        | 2500210000             | 10K0 * 1% 0.3 W SMA207        | * 10K0 * 1% 0.3 W SMA207         | DRALORIC                          | 1       |
| R -017        | 2210011000             | 100R 5% N4                    | * 100R 5% N4                     | SOUCOR                            | 1       |
| R -018        | 2200062200             | 22M 5% CB                     | * 22M 5% CB                      | ALLEN BRADLEY                     | 1       |
| R -019        | 2500110000             | 1K00 * 1% 0.3 W SMA207        | * 1K00 * 1% 0.3 W SMA207         | DRALORIC                          | 1       |
| R -020        | 2500210000             | 10K0 * 1% 0.3 W SMA207        | * 10K0 * 1% 0.3 W SMA207         | DRALORIC                          | 1       |
| R -021        | 2210024700             | 4K7 5% N4                     | * 4K7 5% N4                      | SOUCOR                            | 1       |
| R -022        | 2210016800             | 680R 5% N4                    | * 680R 5% N4                     | SOUCOR                            | 1       |
| R -023        | 2500210000             | 10K0 * 1% 0.3 W SMA207        | * 10K0 * 1% 0.3 W SMA207         | DRALORIC                          | 1       |
| R -024        | 2500095300             | 953R * 1% 0.3 W SMA207        | * 953R * 1% 0.3 W SMA207         | DRALORIC                          | 1       |
| R -025        | 2500090900             | 909R * 1% 0.3 W SMA207        | * 909R * 1% 0.3 W SMA207         | DRALORIC                          | 1       |
| R -026        | 2500151100             | 5K11 * 1% 0.3 W SMA207        | * 5K11 * 1% 0.3 W SMA207         | DRALORIC                          | 1       |
| R -027        | 2210016200             | 620R 5% N4                    | * 620R 5% N4                     | SOUCOR                            | 1       |
| R -028        | 2905025600             | 5K6 5.08 CC 5% NK3            | * 5K6 5.08 CC 5% NK3             | SOUCOR                            | 1       |
| R -029        | 2210026800             | 6K8 5% N4                     | * 6K8 5% N4                      | SOUCOR                            | 1       |
| R -030        | 2210022200             | 2K2 5% N4                     | * 2K2 5% N4                      | SOUCOR                            | 1       |
| R -031        | 2500124900             | 2K49 * 1% 0.3 W SMA207        | * 2K49 * 1% 0.3 W SMA207         | DRALORIC                          | 1       |
| R -032        | 2905012200             | 220R 5.08 CC 5% NK3           | * 220R 5.08 CC 5% NK3            | SOUCOR                            | 1       |
| R -033        | 2905004700             | 47R 5.08 CC 5% NK3            | * 47R 5.08 CC 5% NK3             | SOUCOR                            | 1       |
| R -034        | 2905008200             | 82R 5.08 CC 5% NK3            | * 82R 5.08 CC 5% NK3             | SOUCOR                            | 1       |
| R -035        | 2905014700             | 470R 5.08 CC 5% NK3           | * 470R 5.08 CC 5% NK3            | SOUCOR                            | 1       |
| R -036        | 2905022200             | 2K2 5.08 CC 5% NK3            | * 2K2 5.08 CC 5% NK3             | SOUCOR                            | 1       |
| R -037        | 2905018200             | 820R 5.08 CC 5% NK3           | * 820R 5.08 CC 5% NK3            | SOUCOR                            | 1       |
| R -038        | 2905012200             | 220R 5.08 CC 5% NK3           | * 220R 5.08 CC 5% NK3            | SOUCOR                            | 1       |

| REPERE INDEXE | REF. ADRET PART NUMBER | DESCRIPTION  | PART DESCRIPTION      | FOURNISSEUR/PLAN SUPPLIER/DRAWING | QTE QTY |
|---------------|------------------------|--------------|-----------------------|-----------------------------------|---------|
| R -039        | 2905031800             | 18K 5.08 CC  | 5% NK3 * 18K 5.08 CC  | 5% NK3 SOUCOR                     | 1       |
| R -040        | 2905021000             | 1K 5.08 CC   | 5% NK3 * 1K 5.08 CC   | 5% NK3 SOUCOR                     | 1       |
| R -041        | 2905024700             | 4K7 5.08 CC  | 5% NK3 * 4K7 5.08 CC  | 5% NK3 SOUCOR                     | 1       |
| R -042        | 2905021000             | 1K 5.08 CC   | 5% NK3 * 1K 5.08 CC   | 5% NK3 SOUCOR                     | 1       |
| R -043        | 2905028200             | 8K2 5.08 CC  | 5% NK3 * 8K2 5.08 CC  | 5% NK3 SOUCOR                     | 1       |
| R -044        | 2905016800             | 680R 5.08 CC | 5% NK3 * 680R 5.08 CC | 5% NK3 SOUCOR                     | 1       |
| R -045        | 2905031000             | 10K 5.08 CC  | 5% NK3 * 10K 5.08 CC  | 5% NK3 SOUCOR                     | 1       |
| R -046        | 2905024700             | 4K7 5.08 CC  | 5% NK3 * 4K7 5.08 CC  | 5% NK3 SOUCOR                     | 1       |
| R -047        | 2905031000             | 10K 5.08 CC  | 5% NK3 * 10K 5.08 CC  | 5% NK3 SOUCOR                     | 1       |
| R -049        | 2905021000             | 1K 5.08 CC   | 5% NK3 * 1K 5.08 CC   | 5% NK3 SOUCOR                     | 1       |
| R -050        | 2905014700             | 470R 5.08 CC | 5% NK3 * 470R 5.08 CC | 5% NK3 SOUCOR                     | 1       |
| R -051        | 2905028200             | 8K2 5.08 CC  | 5% NK3 * 8K2 5.08 CC  | 5% NK3 SOUCOR                     | 1       |
| R -052        | 2905024700             | 4K7 5.08 CC  | 5% NK3 * 4K7 5.08 CC  | 5% NK3 SOUCOR                     | 1       |
| R -053        | 2905024700             | 4K7 5.08 CC  | 5% NK3 * 4K7 5.08 CC  | 5% NK3 SOUCOR                     | 1       |
| R -054        | 2905024700             | 4K7 5.08 CC  | 5% NK3 * 4K7 5.08 CC  | 5% NK3 SOUCOR                     | 1       |
| R -055        | 2905021200             | 1K2 5.08 CC  | 5% NK3 * 1K2 5.08 CC  | 5% NK3 SOUCOR                     | 1       |
| R -056        | 2210001000             | 10R 5.08 CC  | 5% N4 * 10R 5.08 CC   | 5% N4 SOUCOR                      | 1       |
| R -057        | 2210001000             | 10R 5.08 CC  | 5% N4 * 10R 5.08 CC   | 5% N4 SOUCOR                      | 1       |
| R -058        | 2905004700             | 47R 5.08 CC  | 5% NK3 * 47R 5.08 CC  | 5% NK3 SOUCOR                     | 1       |
| R -059        | 2905018200             | 820R 5.08 CC | 5% NK3 * 820R 5.08 CC | 5% NK3 SOUCOR                     | 1       |
| R -060        | 2905012200             | 220R 5.08 CC | 5% NK3 * 220R 5.08 CC | 5% NK3 SOUCOR                     | 1       |
| R -061        | 2905012200             | 220R 5.08 CC | 5% NK3 * 220R 5.08 CC | 5% NK3 SOUCOR                     | 1       |
| R -062        | 2905018200             | 820R 5.08 CC | 5% NK3 * 820R 5.08 CC | 5% NK3 SOUCOR                     | 1       |
| R -063        | 2905018200             | 820R 5.08 CC | 5% NK3 * 820R 5.08 CC | 5% NK3 SOUCOR                     | 1       |
| R -064        | 2905014700             | 470R 5.08 CC | 5% NK3 * 470R 5.08 CC | 5% NK3 SOUCOR                     | 1       |
| R -065        | 2905021000             | 1K 5.08 CC   | 5% NK3 * 1K 5.08 CC   | 5% NK3 SOUCOR                     | 1       |
| R -066        | 2905021000             | 1K 5.08 CC   | 5% NK3 * 1K 5.08 CC   | 5% NK3 SOUCOR                     | 1       |
| R -067        | 2905024700             | 4K7 5.08 CC  | 5% NK3 * 4K7 5.08 CC  | 5% NK3 SOUCOR                     | 1       |
| R -068        | 2905022700             | 2K7 5.08 CC  | 5% NK3 * 2K7 5.08 CC  | 5% NK3 SOUCOR                     | 1       |
| R -069        | 2905002200             | 22R 5.08 CC  | 5% NK3 * 22R 5.08 CC  | 5% NK3 SOUCOR                     | 1       |
| R -070        | 2905001500             | 15R 5.08 CC  | 5% NK3 * 15R 5.08 CC  | 5% NK3 SOUCOR                     | 1       |
| R -071        | 2905021000             | 1K 5.08 CC   | 5% NK3 * 1K 5.08 CC   | 5% NK3 SOUCOR                     | 1       |
| R -072        | 2905014700             | 470R 5.08 CC | 5% NK3 * 470R 5.08 CC | 5% NK3 SOUCOR                     | 1       |
| R -073        | 2905014700             | 470R 5.08 CC | 5% NK3 * 470R 5.08 CC | 5% NK3 SOUCOR                     | 1       |
| R -074        | 2905014700             | 470R 5.08 CC | 5% NK3 * 470R 5.08 CC | 5% NK3 SOUCOR                     | 1       |
| R -075        | 2210021500             | 1K5 5.08 CC  | 5% N4 * 1K5 5.08 CC   | 5% N4 SOUCOR                      | 1       |
| R -076        | 2905001500             | 15R 5.08 CC  | 5% NK3 * 15R 5.08 CC  | 5% NK3 SOUCOR                     | 1       |
| R -077        | 2905002200             | 22R 5.08 CC  | 5% NK3 * 22R 5.08 CC  | 5% NK3 SOUCOR                     | 1       |
| R -078        | 2905002200             | 22R 5.08 CC  | 5% NK3 * 22R 5.08 CC  | 5% NK3 SOUCOR                     | 1       |
| R -079        | 2905001500             | 15R 5.08 CC  | 5% NK3 * 15R 5.08 CC  | 5% NK3 SOUCOR                     | 1       |
| R -080        | 2905034700             | 47K 5.08 CC  | 5% NK3 * 47K 5.08 CC  | 5% NK3 SOUCOR                     | 1       |
| R -081        | 2905014700             | 470R 5.08 CC | 5% NK3 * 470R 5.08 CC | 5% NK3 SOUCOR                     | 1       |
| R -082        | 2905041000             | 100K 5.08 CC | 5% NK3 * 100K 5.08 CC | 5% NK3 SOUCOR                     | 1       |
| R -083        | 2905024700             | 4K7 5.08 CC  | 5% NK3 * 4K7 5.08 CC  | 5% NK3 SOUCOR                     | 1       |
| R -084        | 2905021000             | 1K 5.08 CC   | 5% NK3 * 1K 5.08 CC   | 5% NK3 SOUCOR                     | 1       |
| R -085        | 2905013300             | 330R 5.08 CC | 5% NK3 * 330R 5.08 CC | 5% NK3 SOUCOR                     | 1       |
| R -086        | 2905002200             | 22R 5.08 CC  | 5% NK3 * 22R 5.08 CC  | 5% NK3 SOUCOR                     | 1       |
| R -087        | 2905011000             | 100R 5.08 CC | 5% NK3 * 100R 5.08 CC | 5% NK3 SOUCOR                     | 1       |
| R -088        | 2905011000             | 100R 5.08 CC | 5% NK3 * 100R 5.08 CC | 5% NK3 SOUCOR                     | 1       |
| R -089        | 2905013300             | 330R 5.08 CC | 5% NK3 * 330R 5.08 CC | 5% NK3 SOUCOR                     | 1       |
| R -090        | 2905002200             | 22R 5.08 CC  | 5% NK3 * 22R 5.08 CC  | 5% NK3 SOUCOR                     | 1       |
| R -091        | 2905001500             | 15R 5.08 CC  | 5% NK3 * 15R 5.08 CC  | 5% NK3 SOUCOR                     | 1       |
| R -092        | 2905002200             | 22R 5.08 CC  | 5% NK3 * 22R 5.08 CC  | 5% NK3 SOUCOR                     | 1       |
| R -093        | 2905018200             | 820R 5.08 CC | 5% NK3 * 820R 5.08 CC | 5% NK3 SOUCOR                     | 1       |
| R -094        | 2905022200             | 2K2 5.08 CC  | 5% NK3 * 2K2 5.08 CC  | 5% NK3 SOUCOR                     | 1       |
| R -095        | 2210014700             | 470R 5.08 CC | 5% N4 * 470R 5.08 CC  | 5% N4 SOUCOR                      | 1       |
| R -096        | 2905023300             | 3K3 5.08 CC  | 5% NK3 * 3K3 5.08 CC  | 5% NK3 SOUCOR                     | 1       |
| R -097        | 2905031500             | 15K 5.08 CC  | 5% NK3 * 15K 5.08 CC  | 5% NK3 SOUCOR                     | 1       |
| R -098        | 2905024700             | 4K7 5.08 CC  | 5% NK3 * 4K7 5.08 CC  | 5% NK3 SOUCOR                     | 1       |
| R -099        | 2905031500             | 15K 5.08 CC  | 5% NK3 * 15K 5.08 CC  | 5% NK3 SOUCOR                     | 1       |
| R -100        | 2905041000             | 100K 5.08 CC | 5% NK3 * 100K 5.08 CC | 5% NK3 SOUCOR                     | 1       |
| R -101        | 2905024700             | 4K7 5.08 CC  | 5% NK3 * 4K7 5.08 CC  | 5% NK3 SOUCOR                     | 1       |
| R -102        | 2905041000             | 100K 5.08 CC | 5% NK3 * 100K 5.08 CC | 5% NK3 SOUCOR                     | 1       |
| R -103        | 2905041000             | 100K 5.08 CC | 5% NK3 * 100K 5.08 CC | 5% NK3 SOUCOR                     | 1       |
| R -104        | 2905041000             | 100K 5.08 CC | 5% NK3 * 100K 5.08 CC | 5% NK3 SOUCOR                     | 1       |
| R -105        | 2905041000             | 100K 5.08 CC | 5% NK3 * 100K 5.08 CC | 5% NK3 SOUCOR                     | 1       |
| R -106        | 2905041000             | 100K 5.08 CC | 5% NK3 * 100K 5.08 CC | 5% NK3 SOUCOR                     | 1       |
| R -107        | 2905041000             | 100K 5.08 CC | 5% NK3 * 100K 5.08 CC | 5% NK3 SOUCOR                     | 1       |
| R -108        | 2905041000             | 100K 5.08 CC | 5% NK3 * 100K 5.08 CC | 5% NK3 SOUCOR                     | 1       |
| R -109        | 2905041000             | 100K 5.08 CC | 5% NK3 * 100K 5.08 CC | 5% NK3 SOUCOR                     | 1       |
| R -110        | 2905041000             | 100K 5.08 CC | 5% NK3 * 100K 5.08 CC | 5% NK3 SOUCOR                     | 1       |
| R -111        | 2905041000             | 100K 5.08 CC | 5% NK3 * 100K 5.08 CC | 5% NK3 SOUCOR                     | 1       |
| R -112        | 2905016800             | 680R 5.08 CC | 5% NK3 * 680R 5.08 CC | 5% NK3 SOUCOR                     | 1       |
| R -113        | 2905024700             | 4K7 5.08 CC  | 5% NK3 * 4K7 5.08 CC  | 5% NK3 SOUCOR                     | 1       |
| R -114        | 2905041500             | 150K 5.08 CC | 5% NK3 * 150K 5.08 CC | 5% NK3 SOUCOR                     | 1       |
| R -115        | 2905024700             | 4K7 5.08 CC  | 5% NK3 * 4K7 5.08 CC  | 5% NK3 SOUCOR                     | 1       |
| R -117        | 2905022200             | 2K2 5.08 CC  | 5% NK3 * 2K2 5.08 CC  | 5% NK3 SOUCOR                     | 1       |
| R -118        | 2905041000             | 100K 5.08 CC | 5% NK3 * 100K 5.08 CC | 5% NK3 SOUCOR                     | 1       |
| R -119        | 2905021000             | 1K 5.08 CC   | 5% NK3 * 1K 5.08 CC   | 5% NK3 SOUCOR                     | 1       |

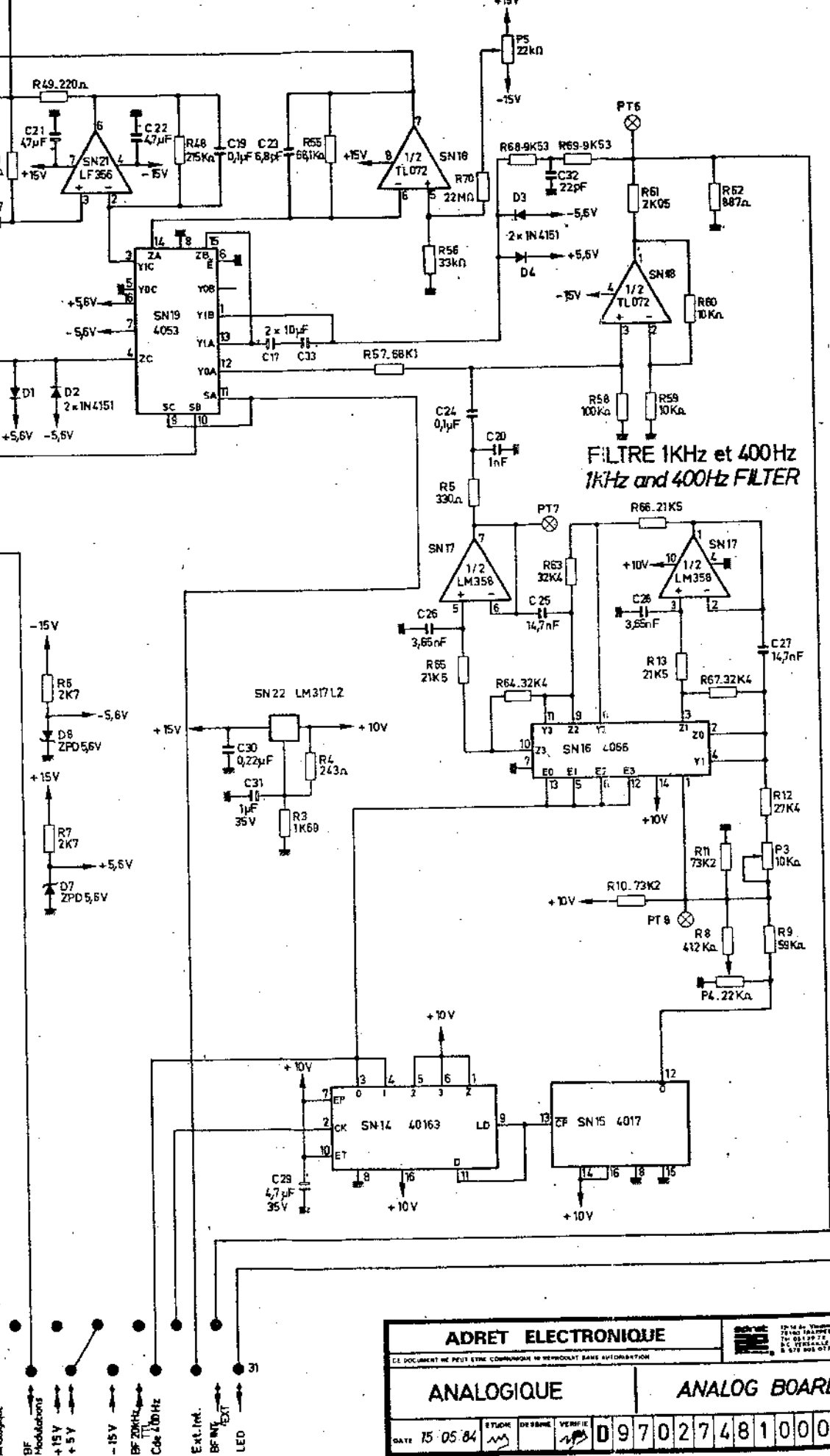
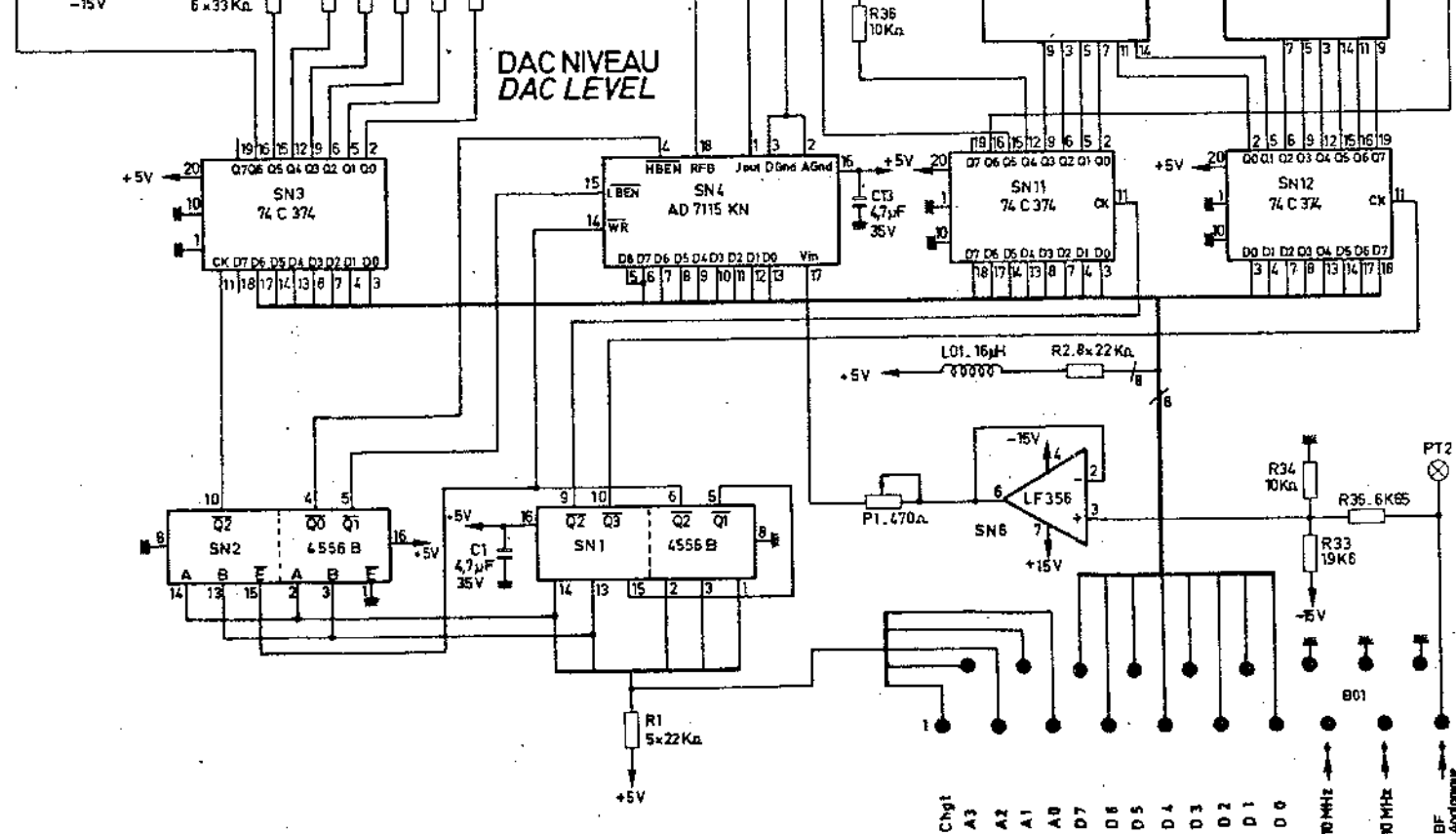
| REPERE INDEXE | REF. ADRET PART NUMBER | DESCRIPTION                     | PART DESCRIPTION                    | FOURNISSEUR/PLAN SUPPLIER/DRAWING | QTE QTY |
|---------------|------------------------|---------------------------------|-------------------------------------|-----------------------------------|---------|
| R -120        | 2905021000             | 1K 5,08 CC                      | 5% NK3 * 1K 5,08 CC                 | 5% NK3 SOUCOR                     | 1       |
| R -121        | 2905031200             | 12K 5,08 CC                     | 5% NK3 * 12K 5,08 CC                | 5% NK3 SOUCOR                     | 1       |
| R -122        | 2905023300             | 3K3 5,08 CC                     | 5% NK3 * 3K3 5,08 CC                | 5% NK3 SOUCOR                     | 1       |
| R -123        | 2905023300             | 3K3 5,08 CC                     | 5% NK3 * 3K3 5,08 CC                | 5% NK3 SOUCOR                     | 1       |
| SN -001       | 4150747400             | SN 74 LS 74 N3                  | * SN 74 LS 74 N3                    | TEXAS                             | 1       |
| SN -002       | 4150748600             | SN 74 LS 86 N 3                 | * SN 74 LS 86 N 3                   | TEXAS                             | 1       |
| SN -003       | 4150747400             | SN 74 LS 74 N3                  | * SN 74 LS 74 N3                    | TEXAS                             | 1       |
| SN -004       | 4157419600             | SN 74 LS 196 N 3                | * SN 74 LS 196 N 3                  | TEXAS                             | 1       |
| SN -005       | 4200360000             | TL 072 CP                       | * TL 072 CP                         | TEXAS                             | 1       |
| SN -006       | 4160451800             | C-MOS 4518                      | * C-MOS 4518                        | RTC                               | 1       |
| SN -007       | 4200720000             | NE 5534 AN                      | * NE 5534 AN                        | RTC                               | 1       |
| SN -008       | 4160406600             | C-MOS 4066                      | * C-MOS 4066                        | RTC                               | 1       |
| SN -009       | 4200620000             | LM 3080 N /B+                   | * LM 3080 N /B+                     | NS                                | 1       |
| SN -010       | 4200360000             | TL 072 CP                       | * TL 072 CP                         | TEXAS                             | 1       |
| SN -011       | 4101013100             | MC 10131 P                      | * MC 10131 P                        | MOTOROLA                          | 1       |
| SN -012       | 4157419600             | SN 74 LS 196 N 3                | * SN 74 LS 196 N 3                  | TEXAS                             | 1       |
| SN -013       | 4160451800             | C-MOS 4518                      | * C-MOS 4518                        | RTC                               | 1       |
| SN -014       | 4160401300             | C-MOS 4013                      | * C-MOS 4013                        | RTC                               | 1       |
| SN -015       | 4160400200             | C-MOS 4002                      | * C-MOS 4002                        | RTC                               | 1       |
| SN -016       | 4160405300             | C-MOS 4053                      | * C-MOS 4053                        | RTC                               | 1       |
| SN -017       | 4160405300             | C-MOS 4053                      | * C-MOS 4053                        | RTC                               | 1       |
| SN -018       | 4200320000             | LF 356 N B+                     | * LF 356 N B+                       | NS                                | 1       |
| SN -019       | 4200360000             | TL 072 CP                       | * TL 072 CP                         | TEXAS                             | 1       |
| SN -020       | 4200610000             | LM 358 N /B+                    | * LM 358 N /B+                      | NS                                | 1       |
| SN -021       | 4167437400             | C-MOS 74 C 374 N                | * C-MOS 74 C 374 N                  | NS                                | 1       |
| SN -022       | 4150740500             | SN 74 LS 05 N 3                 | * SN 74 LS 05 N 3                   | TEXAS                             | 1       |
| SN -023       | 4150742000             | SN 74 LS 20 N 3                 | * SN 74 LS 20 N 3                   | TEXAS                             | 1       |
| SN -024       | 4160455600             | C-MOS 4556                      | * C-MOS 4556                        | RTC                               | 1       |
| SN -025       | 4200470000             | LM 317 LZ REGUL POSITIVE T092   | * LM 317 LZ POSITIVE REGUL. T092    | MOTOROLA                          | 1       |
| T -001        | 0219140000             | 02 BOUTON H20 3+3X3+3 SPIRES    | * 02 BUTTON H20 3+3X3+3 TURNS.      | Z94 BH20.....12                   | 1       |
| T -002        | 0219250000             | 00 F100 1X4.5 SPIRES ..... 740A | * 00 F100 1X4.5 TURNS ..... 740A    | Z94 F100.....5                    | 1       |
| T -003        | 0219140000             | 02 BOUTON H20 3+3X3+3 SPIRES    | * 02 BUTTON H20 3+3X3+3 TURNS.      | Z94 BH20.....12                   | 1       |
| T -004        | 0219580000             | 01 F40 ..... 2X3+3 SPIRES       | * 01 F40 ..... 2X3+3 TURNS.         | Z94 F40.....8                     | 1       |
| Z1            | 1100520000             | FIL.NU.ETAME.4/10               | * TINNED BARE THREAD 4/10           | ELECTROFIL                        | 0       |
| Z1            | 1100590000             | COAX RIGIDE 50 OHM . BA-50-085  | * RIGID COAX 50 OHM . BA-50-085     | SEALCTRO                          | 0       |
| Z1            | 1100810000             | TEFLON ORANGE REF ET JE 32 01   | * ORANGE TEFLON REF ET JE 32 01     | FILECA                            | 0       |
| Z1            | 1100820000             | TEFLON VERT REF ET JE 32 01     | * GREEN TEFLON REF ET JE 32 01      | FILECA                            | 0       |
| Z1            | 1274801200             | CI MODULATION ..... 730A        | * MODULATION PC ..... 730A          | Q997480.....TM                    | 0       |
| Z1            | 1300590000             | SOUPLISSO 0,6X0,9 COUL. NATUREL | * SPAGHETTI 0.6X0.9 GRAY COLORED    | HABIA                             | 0       |
| Z1            | 1300900000             | PASSE FIL ..... REF 8-3-5-2     | * FEED-THROUGH SLEEV. REF 8-3-5-2   | FAISANT                           | 1       |
| Z1            | 1400103900             | POINT TEST                      | * TEST POINT                        | C940850                           | 10      |
| Z1            | 1400225600             | EMBOUT KX22A PARALL 22205-110   | * CAP KX22A PARALL 22205-110        | ATI                               | 1       |
| Z4            | 4900120000             | 14 SUPPORT C.I. DIL J23-5014    | * 14 CONNECTOR P.C. DIL J23-5014    | JERMYN                            | 1       |
| Z4            | 4900300000             | 20 SUPPORT C.I. DIL J23-5020    | * 20 CONNECTOR P.C. DIL J23-5020    | JERMYN                            | 1       |
| Z4            | 4900310000             | 16 SUPPORT C.I. DIL J23-5016    | * 16 CONNECTOR P.C. DIL J23-5016    | JERMYN                            | 2       |
| Z4            | 4900390000             | 8 SUPPORT C.I. DIL J23-5008     | * 8 CONNECTOR P.C. DIL J23-5008     | JERMYN                            | 1       |
| Z5            | 5400050000             | CALE ISOLANTE NEOSIO POUR CI    | * NEOSIO INSULATING QUIN FOR PC     | -940008                           | 1       |
| Z5            | 5500010000             | H20(4,1X2X3)                    | * H20(4,1X2X3)                      | LCC-COFELEC                       | 1       |
| Z6            | 6130110500             | LAD 2,5X 5 CYLINDRIQUE FENDUE   | * LAD 2.5 X 5 CYLINDER SLOT         | SAGIC                             | 4       |
| Z6            | 6140120600             | TC M2 X 6 U NFE27-115-4,6 INOX  | * TC M2 X 6 U NFE27-115-4,6 INOX    | BD                                | 6       |
| Z6            | 6400180000             | COSSE A SOUDER 5,2 ..... 5G     | * SOLDERING TERMINAL 5.2 ..... 5G   | MFOM                              | 1       |
| Z6            | 6400530000             | OUILLET LAITON ..... N° 2070    | * FIXING EYELET BRASS ..... N° 2070 | MFOM                              | 7       |
| Z8            | 0280081118             | COUVERCLE CARTE MODULAT. 730A   | * MODULATION BOARD COVER .. 730A    | B94.....                          | 1       |
| Z8            | 0280081120             | BOITIER OSCILLATEUR 80MHZ 730A  | * 80MHZ OSCILLATOR BOX .... 730A    | A93.....                          | 1       |
| Z8            | 8008020100             | BARRETTE FIXAT. CARTE(M2) 740A  | * (M2) BOARD ANCHOR BAR ... 740A    | B94.....                          | 1       |
| Z8            | 8100980000             | PINCE ASSEMBLAGE BAQUET 0,5MM   | * 0,5MM MODULE ASSEMBLING CLIP      | F941091                           | 4       |
| Z8            | 8108071009             | FROTTEUR CONTACT MASSE '2' 740A | * GROUND CONTACT WIPER '2' 740A     |                                   | 2       |

c de ATTENUATEUR  
ATTENUATOR CONTROL



DAC NIVEAU  
DAC LEVEL

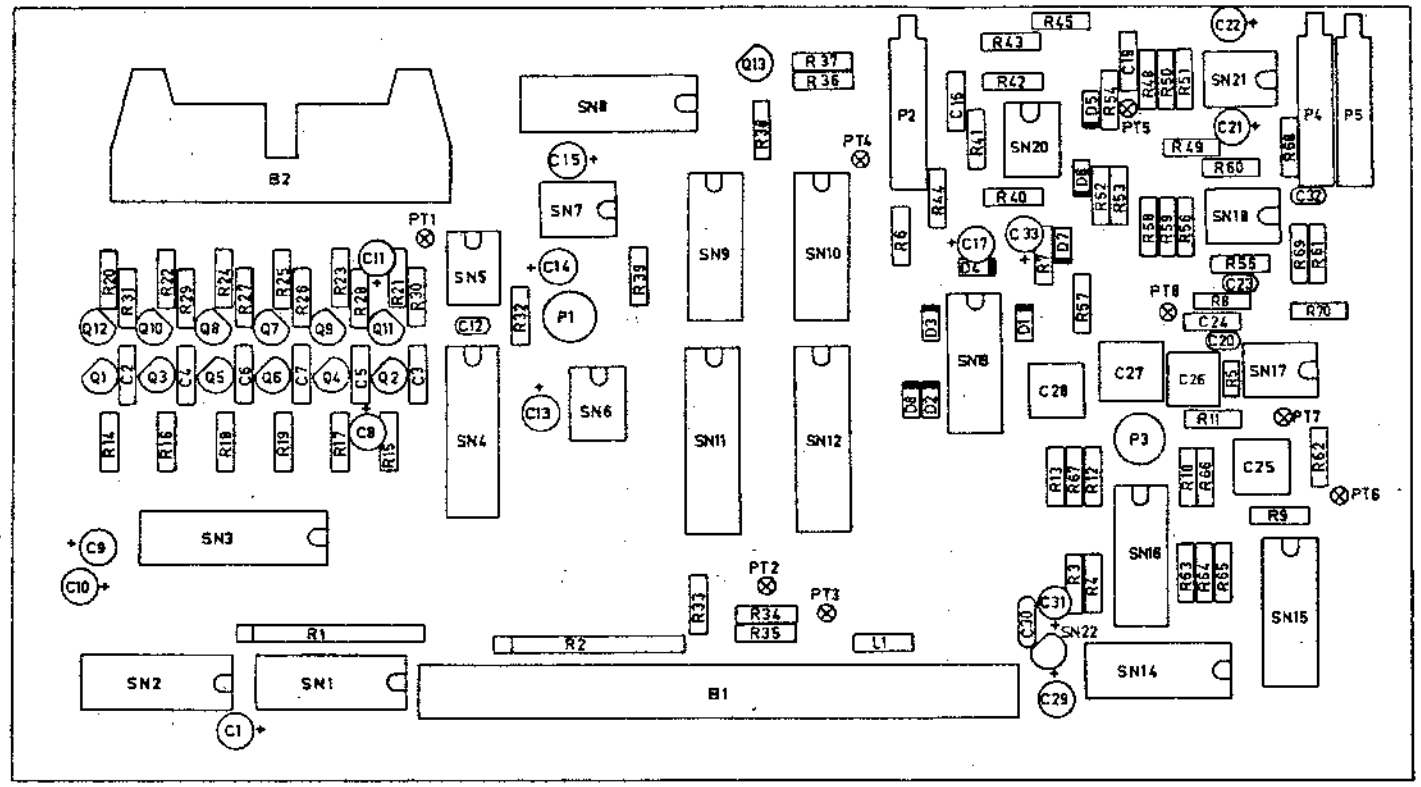
DAC MODULATION  
DAC MODULATION



FILTRE 1KHz et 400Hz  
1kHz and 400Hz FILTER

|                             |       |              |       |
|-----------------------------|-------|--------------|-------|
| ADRET ELECTRONIQUE          |       | ANALOG BOARD |       |
| DATE 15 05 84               | ETIQU | DESIGN       | VERIF |
| D 9 7 0 2 7 4 8 1 0 0 0 0 1 |       |              |       |

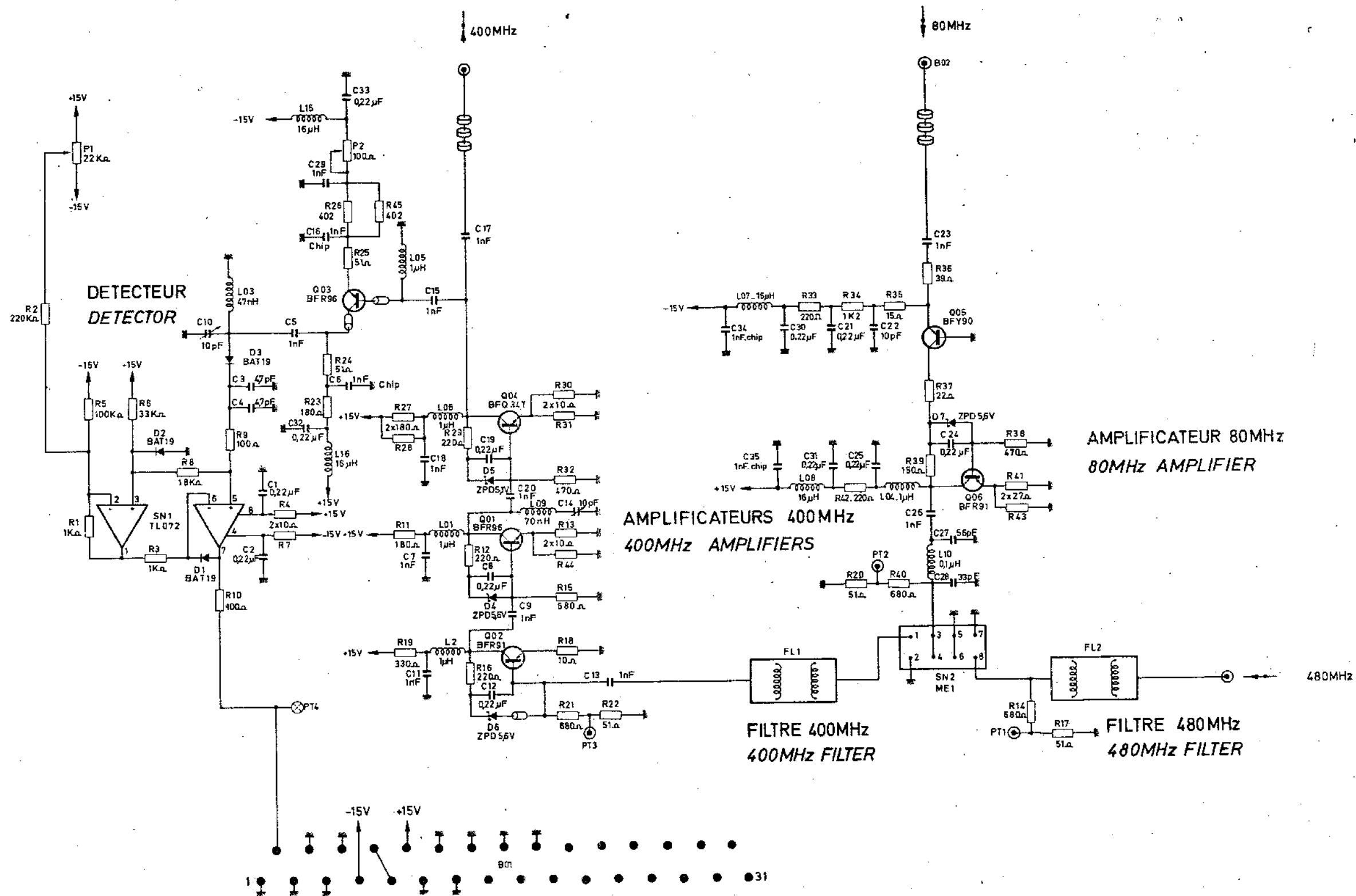




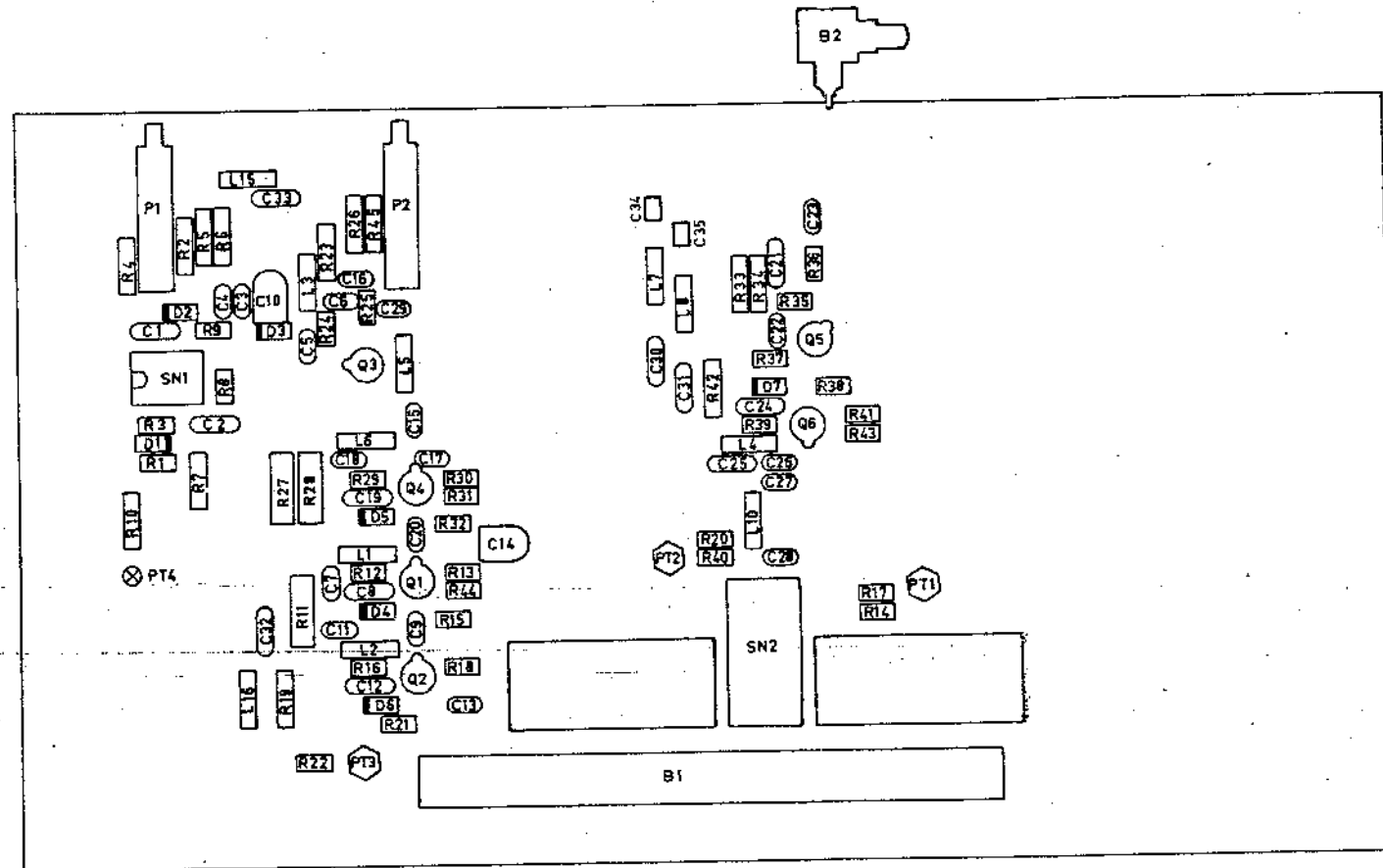
|   |            |   |                       |
|---|------------|---|-----------------------|
| <b>ADRET ELECTRONIQUE</b>   |            | <small>15 rue de Valenciennes - 59100 Lille<br/>Téléphone : 03 20 27 48 10<br/>Fax : 03 20 27 48 11<br/>E-mail : adret@adret.fr</small> |                       |
| <small>CE DOCUMENT NE PEUT ÊTRE COMMUNIQUÉ NI RÉPRODUIT SANS AUTORISATION</small> |            |   |                       |
| ANALOGIQUE  |            | ANALOG BOARD  |                       |
| DATE: 28/06/84  | ETUDE: [ ] | DESIGN: [ ]   | NUMERO: 0970274810000 |

| REPERE INDEXE | REF. ADRET PART NUMBER | DESCRIPTION                    | PART DESCRIPTION               | FOURNISSEUR/PLAN SUPPLIER/DRAWING | QTE QTY |
|---------------|------------------------|--------------------------------|--------------------------------|-----------------------------------|---------|
| B -001        | 1431001300             | TM 31 MCIG ..... MALE*CARTE*   | TM 31 MCIG .....               | TRELEC                            | 1       |
| B -002        | 1420026700             | 20 TRANSITION COUDE 3428-5202  | 20 BENDED LINKAGE .. 3428-5202 | 3M                                | 1       |
| C -001        | 3700100000             | 4,7MMF/35V 5,08 .. STAND L TAG | 4,7MMF/35V 5,08 .. STAND L TAG | STC                               | 1       |
| C -002        | 3233100300             | 10NF 5,08 10% IRD607           | 10NF 5,08 10% IRD607           | LCC                               | 1       |
| C -003        | 3233100300             | 10NF 5,08 10% IRD607           | 10NF 5,08 10% IRD607           | LCC                               | 1       |
| C -004        | 3233100300             | 10NF 5,08 10% IRD607           | 10NF 5,08 10% IRD607           | LCC                               | 1       |
| C -005        | 3233100300             | 10NF 5,08 10% IRD607           | 10NF 5,08 10% IRD607           | LCC                               | 1       |
| C -006        | 3233100300             | 10NF 5,08 10% IRD607           | 10NF 5,08 10% IRD607           | LCC                               | 1       |
| C -007        | 3233100300             | 10NF 5,08 10% IRD607           | 10NF 5,08 10% IRD607           | LCC                               | 1       |
| C -008        | 3700180000             | 22MMF/16V 5,08 ... STAND L TAG | 22MMF/16V 5,08 ... STAND L TAG | STC                               | 1       |
| C -009        | 3700100000             | 4,7MMF/35V 5,08 .. STAND L TAG | 4,7MMF/35V 5,08 .. STAND L TAG | STC                               | 1       |
| C -010        | 3700100000             | 4,7MMF/35V 5,08 .. STAND L TAG | 4,7MMF/35V 5,08 .. STAND L TAG | STC                               | 1       |
| C -011        | 3700160000             | 10MMF/25V 5,08 ... STAND L TAG | 10MMF/25V 5,08 ... STAND L TAG | STC                               | 1       |
| C -012        | 3120002700             | 27PF 2,5 'L' 2222 680 10 279   | 27PF 2,5 'L' 2222 680 10 279   | COGECO                            | 1       |
| C -013        | 3700100000             | 4,7MMF/35V 5,08 .. STAND L TAG | 4,7MMF/35V 5,08 .. STAND L TAG | STC                               | 1       |
| C -014        | 3700100000             | 4,7MMF/35V 5,08 .. STAND L TAG | 4,7MMF/35V 5,08 .. STAND L TAG | STC                               | 1       |
| C -015        | 3700100000             | 4,7MMF/35V 5,08 .. STAND L TAG | 4,7MMF/35V 5,08 .. STAND L TAG | STC                               | 1       |
| C -016        | 3234100400             | 0,1 MMF 5,08 10% IRD607        | 0,1 MMF 5,08 10% IRD607        | LCC                               | 1       |
| C -017        | 3700160000             | 10MMF/25V 5,08 ... STAND L TAG | 10MMF/25V 5,08 ... STAND L TAG | STC                               | 1       |
| C -019        | 3234100400             | 0,1 MMF 5,08 10% IRD607        | 0,1 MMF 5,08 10% IRD607        | LCC                               | 1       |
| C -020        | 3120021000             | 1 NF 2,5 2222 630 51 102       | 1 NF 2,5 2222 630 51 102       | COGECO                            | 1       |
| C -021        | 3700100000             | 4,7MMF/35V 5,08 .. STAND L TAG | 4,7MMF/35V 5,08 .. STAND L TAG | STC                               | 1       |
| C -022        | 3700100000             | 4,7MMF/35V 5,08 .. STAND L TAG | 4,7MMF/35V 5,08 .. STAND L TAG | STC                               | 1       |
| C -023        | 3120096800             | 6,8PF 2,5 'D' 2222 680 09 688  | 6,8PF 2,5 'D' 2222 680 09 688  | COGECO                            | 1       |
| C -024        | 3234100400             | 0,1 MMF 5,08 10% IRD607        | 0,1 MMF 5,08 10% IRD607        | LCC                               | 1       |
| C -025        | 3212147000             | 14700PF 1,25% 63V PLS8/CPS82   | 14700PF 1,25% 63V PLS8/CPS82   | RTC                               | 1       |
| C -026        | 3211365000             | 3650PF 1,25% 63V PLS8/CPS84    | 3650PF 1,25% 63V PLS8/CPS84    | RTC                               | 1       |
| C -027        | 3212147000             | 14700PF 1,25% 63V PLS8/CPS82   | 14700PF 1,25% 63V PLS8/CPS82   | RTC                               | 1       |
| C -028        | 3211365000             | 3650PF 1,25% 63V PLS8/CPS84    | 3650PF 1,25% 63V PLS8/CPS84    | RTC                               | 1       |
| C -029        | 3700100000             | 4,7MMF/35V 5,08 .. STAND L TAG | 4,7MMF/35V 5,08 .. STAND L TAG | STC                               | 1       |
| C -030        | 3150042200             | 0,22MMF 5 50V20% 3439050 E224M | 0,22MMF 5 50V20% 3439050 E224M | AUX                               | 1       |
| C -031        | 3700020000             | 1MMF/35V 5,08 ... STAND L TAG  | 1MMF/35V 5,08 ... STAND L TAG  | STC                               | 1       |
| C -032        | 3120002200             | 22PF 2,5 'K' 2222 680 10 229   | 22PF 2,5 'K' 2222 680 10 229   | COGECO                            | 1       |
| C -033        | 3700160000             | 10MMF/25V 5,08 ... STAND L TAG | 10MMF/25V 5,08 ... STAND L TAG | STC                               | 1       |
| D -001        | 4500020000             | IN4151 .....                   | IN4151 .....                   | FU'ITT'                           | 1       |
| D -002        | 4500020000             | IN4151 .....                   | IN4151 .....                   | FU'ITT'                           | 1       |
| D -003        | 4500020000             | IN4151 .....                   | IN4151 .....                   | FU'ITT'                           | 1       |
| D -004        | 4500020000             | IN4151 .....                   | IN4151 .....                   | FU'ITT'                           | 1       |
| D -005        | 4500020000             | IN4151 .....                   | IN4151 .....                   | FU'ITT'                           | 1       |
| D -006        | 4500020000             | IN4151 .....                   | IN4151 .....                   | FU'ITT'                           | 1       |
| D -007        | 4600040000             | ZP05,6 .....                   | ZP05,6 .....                   | ITT                               | 1       |
| D -008        | 4600040000             | ZP05,6 .....                   | ZP05,6 .....                   | ITT                               | 1       |
| L -001        | 0219720000             | 00 SELF 20MMH .....(EX 530336) | 00 SELF 20MMH .....(EX 530336) | ADRET                             | 1       |
| P -001        | 2151470000             | 470R T05 CERMET T 7 YA         | 470R T05 CERMET T 7 YA         | SFERNICE                          | 1       |
| P -002        | 2132220000             | 2K2 3/4" 15T CERMET 43 P       | 2K2 3/4" 15T CERMET 43 P       | SPECTROL                          | 1       |
| P -003        | 2153100000             | 10K T05 CERMET T 7 YA          | 10K T05 CERMET T 7 YA          | SFERNICE                          | 1       |
| P -004        | 2133220000             | 22K 3/4" 15T CERMET 43 P       | 22K 3/4" 15T CERMET 43 P       | SPECTROL                          | 1       |
| P -005        | 2133220000             | 22K 3/4" 15T CERMET 43 P       | 22K 3/4" 15T CERMET 43 P       | SPECTROL                          | 1       |
| Q -001        | 4300110000             | BC560C /416C/415C/559C(BC214C) | BC560C /413C/415C/559C(BC214C) | RTC                               | 1       |
| Q -002        | 4300110000             | BC560C /416C/415C/559C(BC214C) | BC560C /413C/415C/559C(BC214C) | RTC                               | 1       |
| Q -003        | 4300110000             | BC560C /416C/415C/559C(BC214C) | BC560C /413C/415C/559C(BC214C) | RTC                               | 1       |
| Q -004        | 4300110000             | BC560C /416C/415C/559C(BC214C) | BC560C /413C/415C/559C(BC214C) | RTC                               | 1       |
| Q -005        | 4300110000             | BC560C /416C/415C/559C(BC214C) | BC560C /413C/415C/559C(BC214C) | RTC                               | 1       |
| Q -006        | 4300110000             | BC560C /416C/415C/559C(BC214C) | BC560C /413C/415C/559C(BC214C) | RTC                               | 1       |
| Q -007        | 4300570000             | BC 327-25 TO 92 .....(2N2907)  | BC 327-25 TO 92 .....(2N2907)  | ITT                               | 1       |
| Q -008        | 4300570000             | BC 327-25 TO 92 .....(2N2907)  | BC 327-25 TO 92 .....(2N2907)  | ITT                               | 1       |
| Q -009        | 4300570000             | BC 327-25 TO 92 .....(2N2907)  | BC 327-25 TO 92 .....(2N2907)  | ITT                               | 1       |
| Q -010        | 4300570000             | BC 327-25 TO 92 .....(2N2907)  | BC 327-25 TO 92 .....(2N2907)  | ITT                               | 1       |
| Q -011        | 4300570000             | BC 327-25 TO 92 .....(2N2907)  | BC 327-25 TO 92 .....(2N2907)  | ITT                               | 1       |
| Q -012        | 4300570000             | BC 327-25 TO 92 .....(2N2907)  | BC 327-25 TO 92 .....(2N2907)  | ITT                               | 1       |
| Q -013        | 4300150000             | MPS 2369 .....                 | MPS 2369 .....                 | MOTOROLA                          | 1       |
| R -001        | 2610932200             | 9X22K 2% 4310R-101-223         | 9X22K 2% 4310R-101-223         | BOURNS                            | 1       |
| R -002        | 2610932200             | 9X22K 2% 4310R-101-223         | 9X22K 2% 4310R-101-223         | BOURNS                            | 1       |
| R -003        | 2500116900             | 1K69 * 1% 0,3 W SMA207         | 1K69 * 1% 0,3 W SMA207         | DRALORIC                          | 1       |
| R -004        | 2500024300             | 243R * 1% 0,3 W SMA207         | 243R * 1% 0,3 W SMA207         | DRALORIC                          | 1       |
| R -005        | 2905013300             | 330R 5,08 CC 5% NK3            | 330R 5,08 CC 5% NK3            | SOVCOR                            | 1       |
| R -006        | 2210022700             | 2K7 5% N4                      | 2K7 5% N4                      | SOVCOR                            | 1       |
| R -007        | 2210022700             | 2K7 5% N4                      | 2K7 5% N4                      | SOVCOR                            | 1       |
| R -008        | 2500341200             | 412K * 1% 0,3 W SMA207         | 412K * 1% 0,3 W SMA207         | DRALORIC                          | 1       |
| R -009        | 2500259000             | 59K0 * 1% 0,3 W SMA207         | 59K0 * 1% 0,3 W SMA207         | DRALORIC                          | 1       |
| R -010        | 2500273200             | 73K2 * 1% 0,3 W SMA207         | 73K2 * 1% 0,3 W SMA207         | DRALORIC                          | 1       |
| R -011        | 2500273200             | 73K2 * 1% 0,3 W SMA207         | 73K2 * 1% 0,3 W SMA207         | DRALORIC                          | 1       |
| R -012        | 2500227400             | 27K4 * 1% 0,3 W SMA207         | 27K4 * 1% 0,3 W SMA207         | DRALORIC                          | 1       |
| R -013        | 2500221500             | 21K5 * 1% 0,3 W SMA207         | 21K5 * 1% 0,3 W SMA207         | DRALORIC                          | 1       |
| R -014        | 2210033300             | 33K 5% N4                      | 33K 5% N4                      | SOVCOR                            | 1       |
| R -015        | 2210033300             | 33K 5% N4                      | 33K 5% N4                      | SOVCOR                            | 1       |
| R -016        | 2210033300             | 33K 5% N4                      | 33K 5% N4                      | SOVCOR                            | 1       |
| R -017        | 2210033300             | 33K 5% N4                      | 33K 5% N4                      | SOVCOR                            | 1       |
| R -018        | 2210033300             | 33K 5% N4                      | 33K 5% N4                      | SOVCOR                            | 1       |

| REPERE INDEXE | REF. ADRET PART NUMBER | DESCRIPTION                     | PART DESCRIPTION               | FOURNISSEUR/PLAN SUPPLIER/DRAWING | QTE QTY |
|---------------|------------------------|---------------------------------|--------------------------------|-----------------------------------|---------|
| R -019        | 2210033300             | 33K                             | 5% N4 * 33K                    | 5% N4 SOUCOR                      | 1       |
| R -020        | 2210003300             | 33R                             | 5% N4 * 33R                    | 5% N4 SOUCOR                      | 1       |
| R -021        | 2210005600             | 56R                             | 5% N4 * 56R                    | 5% N4 SOUCOR                      | 1       |
| R -022        | 2210005600             | 56R                             | 5% N4 * 56R                    | 5% N4 SOUCOR                      | 1       |
| R -023        | 2210005600             | 56R                             | 5% N4 * 56R                    | 5% N4 SOUCOR                      | 1       |
| R -024        | 2210005600             | 56R                             | 5% N4 * 56R                    | 5% N4 SOUCOR                      | 1       |
| R -025        | 2210005600             | 56R                             | 5% N4 * 56R                    | 5% N4 SOUCOR                      | 1       |
| R -026        | 2210023300             | 3K3                             | 5% N4 * 3K3                    | 5% N4 SOUCOR                      | 1       |
| R -027        | 2210023300             | 3K3                             | 5% N4 * 3K3                    | 5% N4 SOUCOR                      | 1       |
| R -028        | 2210023300             | 3K3                             | 5% N4 * 3K3                    | 5% N4 SOUCOR                      | 1       |
| R -029        | 2210023300             | 3K3                             | 5% N4 * 3K3                    | 5% N4 SOUCOR                      | 1       |
| R -030        | 2210023300             | 3K3                             | 5% N4 * 3K3                    | 5% N4 SOUCOR                      | 1       |
| R -031        | 2210023300             | 3K3                             | 5% N4 * 3K3                    | 5% N4 SOUCOR                      | 1       |
| R -032        | 2210011000             | 100R                            | 5% N4 * 100R                   | 5% N4 SOUCOR                      | 1       |
| R -033        | 2500219600             | 19K6 * 1% 0.3 W                 | SMA207 * 19K6 * 1% 0.3 W       | SMA207 DRALORIC                   | 1       |
| R -034        | 2500210000             | 10K0 * 1% 0.3 W                 | SMA207 * 10K0 * 1% 0.3 W       | SMA207 DRALORIC                   | 1       |
| R -035        | 2500166500             | 6K65 * 1% 0.3 W                 | SMA207 * 6K65 * 1% 0.3 W       | SMA207 DRALORIC                   | 1       |
| R -036        | 2210031000             | 10K                             | 5% N4 * 10K                    | 5% N4 SOUCOR                      | 1       |
| R -037        | 2210031000             | 10K                             | 5% N4 * 10K                    | 5% N4 SOUCOR                      | 1       |
| R -038        | 2210036800             | 68K                             | 5% N4 * 68K                    | 5% N4 SOUCOR                      | 1       |
| R -039        | 2210011000             | 100R                            | 5% N4 * 100R                   | 5% N4 SOUCOR                      | 1       |
| R -040        | 2500249900             | 49K9 * 1% 0.3 W                 | SMA207 * 49K9 * 1% 0.3 W       | SMA207 DRALORIC                   | 1       |
| R -041        | 2500215000             | 215K * 1% 0.3 W                 | SMA207 * 215K * 1% 0.3 W       | SMA207 DRALORIC                   | 1       |
| R -042        | 2500224900             | 24K9 * 1% 0.3 W                 | SMA207 * 24K9 * 1% 0.3 W       | SMA207 DRALORIC                   | 1       |
| R -043        | 2500219600             | 19K6 * 1% 0.3 W                 | SMA207 * 19K6 * 1% 0.3 W       | SMA207 DRALORIC                   | 1       |
| R -044        | 2210028200             | 8K2                             | 5% N4 * 8K2                    | 5% N4 SOUCOR                      | 1       |
| R -045        | 2500239200             | 39K2 * 1% 0.3 W                 | SMA207 * 39K2 * 1% 0.3 W       | SMA207 DRALORIC                   | 1       |
| R -048        | 2500321500             | 215K * 1% 0.3 W                 | SMA207 * 215K * 1% 0.3 W       | SMA207 DRALORIC                   | 1       |
| R -049        | 2210012200             | 220R                            | 5% N4 * 220R                   | 5% N4 SOUCOR                      | 1       |
| R -050        | 2500321500             | 215K * 1% 0.3 W                 | SMA207 * 215K * 1% 0.3 W       | SMA207 DRALORIC                   | 1       |
| R -051        | 2500212700             | 12K7 * 1% 0.3 W                 | SMA207 * 12K7 * 1% 0.3 W       | SMA207 DRALORIC                   | 1       |
| R -052        | 2500149900             | 4K99 * 1% 0.3 W                 | SMA207 * 4K99 * 1% 0.3 W       | SMA207 DRALORIC                   | 1       |
| R -053        | 2500149900             | 4K99 * 1% 0.3 W                 | SMA207 * 4K99 * 1% 0.3 W       | SMA207 DRALORIC                   | 1       |
| R -054        | 2500149900             | 4K99 * 1% 0.3 W                 | SMA207 * 4K99 * 1% 0.3 W       | SMA207 DRALORIC                   | 1       |
| R -055        | 2500268100             | 68K1 * 1% 0.3 W                 | SMA207 * 68K1 * 1% 0.3 W       | SMA207 DRALORIC                   | 1       |
| R -056        | 2210033300             | 33K                             | 5% N4 * 33K                    | 5% N4 SOUCOR                      | 1       |
| R -057        | 2500268100             | 68K1 * 1% 0.3 W                 | SMA207 * 68K1 * 1% 0.3 W       | SMA207 DRALORIC                   | 1       |
| R -058        | 2210041000             | 100K                            | 5% N4 * 100K                   | 5% N4 SOUCOR                      | 1       |
| R -059        | 2500210000             | 10K0 * 1% 0.3 W                 | SMA207 * 10K0 * 1% 0.3 W       | SMA207 DRALORIC                   | 1       |
| R -060        | 2500210000             | 10K0 * 1% 0.3 W                 | SMA207 * 10K0 * 1% 0.3 W       | SMA207 DRALORIC                   | 1       |
| R -061        | 2500120500             | 2K05 * 1% 0.3 W                 | SMA207 * 2K05 * 1% 0.3 W       | SMA207 DRALORIC                   | 1       |
| R -062        | 2500088700             | 887R * 1% 0.3 W                 | SMA207 * 887R * 1% 0.3 W       | SMA207 DRALORIC                   | 1       |
| R -063        | 2500232400             | 32K4 * 1% 0.3 W                 | SMA207 * 32K4 * 1% 0.3 W       | SMA207 DRALORIC                   | 1       |
| R -064        | 2500232400             | 32K4 * 1% 0.3 W                 | SMA207 * 32K4 * 1% 0.3 W       | SMA207 DRALORIC                   | 1       |
| R -065        | 2500221500             | 21K5 * 1% 0.3 W                 | SMA207 * 21K5 * 1% 0.3 W       | SMA207 DRALORIC                   | 1       |
| R -066        | 2500221500             | 21K5 * 1% 0.3 W                 | SMA207 * 21K5 * 1% 0.3 W       | SMA207 DRALORIC                   | 1       |
| R -067        | 2500232400             | 32K4 * 1% 0.3 W                 | SMA207 * 32K4 * 1% 0.3 W       | SMA207 DRALORIC                   | 1       |
| R -068        | 2500195300             | 9K53 * 1% 0.3 W                 | SMA207 * 9K53 * 1% 0.3 W       | SMA207 DRALORIC                   | 1       |
| R -069        | 2500195300             | 9K53 * 1% 0.3 W                 | SMA207 * 9K53 * 1% 0.3 W       | SMA207 DRALORIC                   | 1       |
| R -070        | 2200062200             | 22M 5% CB                       | 22M 5% CB                      | ALLEN BRADLEY                     | 1       |
| SN -001       | 4160455600             | C-MOS 4556                      | C-MOS 4556                     | RTC                               | 1       |
| SN -002       | 4160455600             | C-MOS 4556                      | C-MOS 4556                     | RTC                               | 1       |
| SN -003       | 4167437400             | C-MOS 74 C 374 N                | C-MOS 74 C 374 N               | NS                                | 1       |
| SN -004       | 4260711500             | DAC AD 7115 KN                  | DAC AD 7115 KN                 | ANALOG DEVICES                    | 1       |
| SN -005       | 4200320000             | LF 356 N B+                     | LF 356 N B+                    | NS                                | 1       |
| SN -006       | 4200320000             | LF 356 N B+                     | LF 356 N B+                    | NS                                | 1       |
| SN -007       | 4200320000             | LF 356 N B+                     | LF 356 N B+                    | NS                                | 1       |
| SN -008       | 4260752500             | DAC AD 7525 KN                  | DAC AD 7525 KN                 | ANALOG DEVICES                    | 1       |
| SN -009       | 4160450400             | C-MOS MC 14504 BCP              | C-MOS MC 14504 BCP             | MOTOROLA                          | 1       |
| SN -010       | 4160450400             | C-MOS MC 14504 BCP              | C-MOS MC 14504 BCP             | MOTOROLA                          | 1       |
| SN -011       | 4167437400             | C-MOS 74 C 374 N                | C-MOS 74 C 374 N               | NS                                | 1       |
| SN -012       | 4167437400             | C-MOS 74 C 374 N                | C-MOS 74 C 374 N               | NS                                | 1       |
| SN -014       | 4164016300             | C-MOS 40163                     | C-MOS 40163                    | RTC                               | 1       |
| SN -015       | 4160401700             | C-MOS 4017                      | C-MOS 4017                     | RTC                               | 1       |
| SN -016       | 4160406600             | C-MOS 4066                      | C-MOS 4066                     | RTC                               | 1       |
| SN -017       | 4200610000             | LM 358 N /B+                    | LM 358 N /B+                   | NS                                | 1       |
| SN -018       | 4200360000             | TL 072 CP                       | TL 072 CP                      | TEXAS                             | 1       |
| SN -019       | 4160405300             | C-MOS 4053                      | C-MOS 4053                     | RTC                               | 1       |
| SN -020       | 4200360000             | TL 072 CP                       | TL 072 CP                      | TEXAS                             | 1       |
| SN -021       | 4200320000             | LF 356 N B+                     | LF 356 N B+                    | NS                                | 1       |
| SN -022       | 4200470000             | LM 317 LZ REGUL POSITIVE T092   | LM 317 LZ POSITIVE REGUL. T092 | MOTOROLA                          | 1       |
| ZI            | 1274810700             | CI ANALOGIQUE ..... 730A        | ANALOGIC PC ..... 730A         |                                   | 1       |
| ZI            | 1400109900             | POINT TEST                      | TEST POINT                     | C940850                           | 1       |
| Z4            | 4900120000             | 14 SUPPORT C.I. OIL J23-5014    | 14 CONNECTOR P.C. OIL J23-5014 | JERMYN                            | 1       |
| Z4            | 4900260000             | 18 SUPPORT C.I. OIL J23-5018    | 18 CONNECTOR P.C. OIL J23-5018 | JERMYN                            | 2       |
| Z4            | 4900300000             | 20 SUPPORT C.I. OIL J23-5020    | 20 CONNECTOR P.C. OIL J23-5020 | JERMYN                            | 3       |
| Z4            | 4900310000             | 16 SUPPORT C.I. OIL J23-5016    | 16 CONNECTOR P.C. OIL J23-5016 | JERMYN                            | 1       |
| Z8            | 8108071000             | FROTTEUR CONTACT MASSE '2' 740A | GROUND CONTACT WIPER '2' 740A  |                                   | 2       |



|                             |       |   |       |
|-----------------------------|-------|---|-------|
| ADRET ELECTRONIQUE          |       | <small>15, rue du Maréchal Foch<br/>92100 Nanterre France<br/>T. 01 1 29 77<br/>F. 01 1 29 77<br/>S. 01 1 29 77</small> |       |
| GENERATION 400MHz           |       | 400 MHz GENERATION  |       |
| DATE 14 05 84               | ETUDE | DESIGN  | VERIF |
| D 9 7 0 2 7 4 9 9 0 0 0 1/2 |       |   |       |

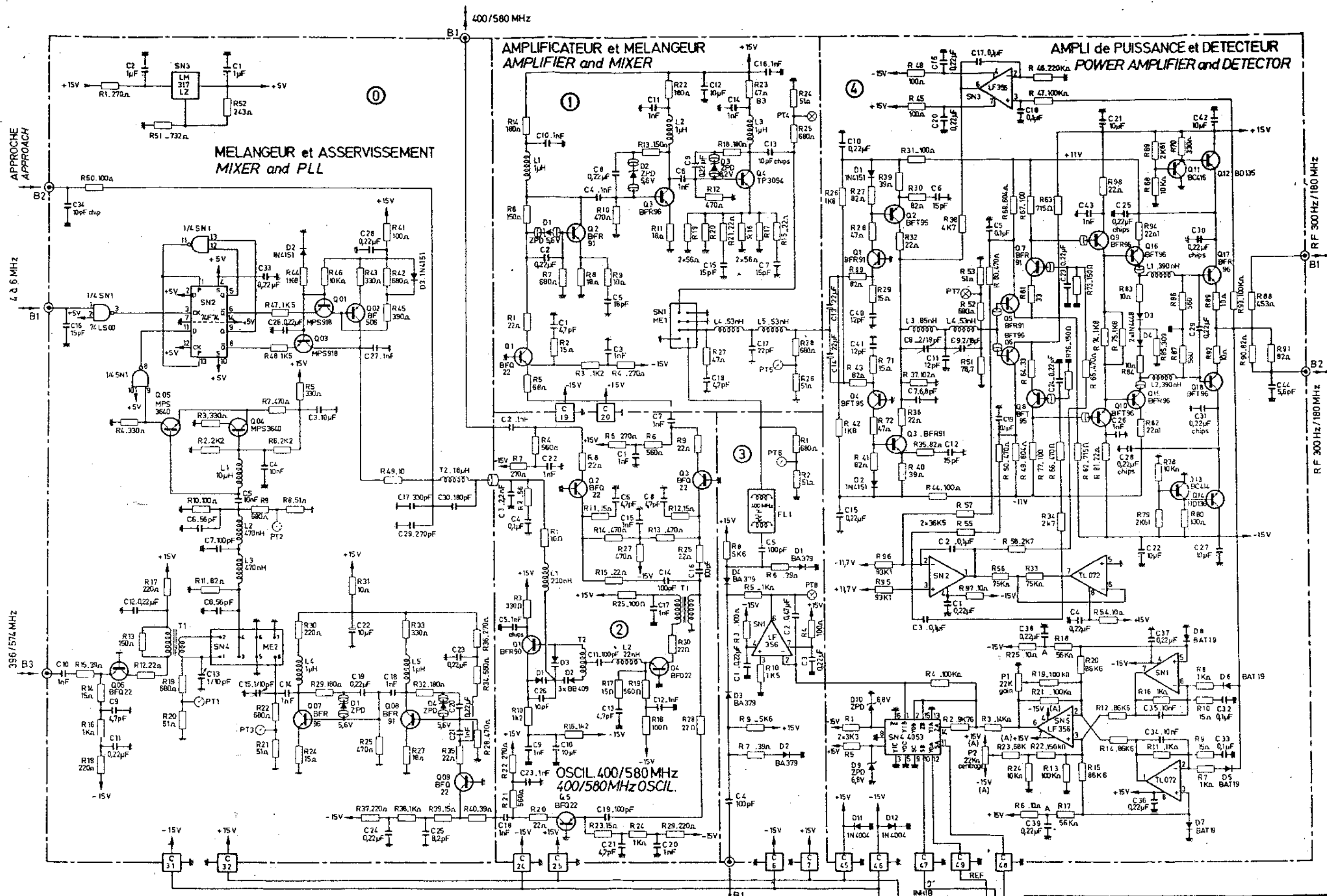


|   |       |  |                           |
|---|-------|--|---------------------------|
| <b>ADRET ELECTRONIQUE</b>   |       | <small>15-16 AV. JULES KORNAROV<br/>75190 CHARENTON LEZ MAISON<br/>ALF. TEL. 01 47 37 72 72<br/>R. C. PARIS 128 812 812<br/>S. R. L. 500 077</small> |                           |
| CE DOCUMENT NE PEUT ETRE COMMERCIEU EN REPRODUCTION SANS AUTORISATION |       |  |                           |
| <b>GENERATION<br/>400MHz</b>  |       | <b>400MHz<br/>GENERATION BOARD</b>   |                           |
| DATE: 28 05 84  | ETUDE | DESIGN   | VERIF                     |
|   |       |  | D 9 7 0 2 7 4 9 9 0 0 0 2 |

| REPERE INDEXE | REF. ADRET PART NUMBER | DESCRIPTION                     | PART DESCRIPTION                | FOURNISSEUR/PLAN SUPPLIER/DRAWING | QTE QTY |
|---------------|------------------------|---------------------------------|---------------------------------|-----------------------------------|---------|
| B -001        | 1431001300             | TM 31 MCIG ..... MALE*CARTE*    | TM 31 MCIG .....                | TRELEC                            | 1       |
| B -002        | 1400215600             | KMVL11 EMBASE COUDEE FIXAT.PANN | KMVL11BENDEE SOCKET PAN. ANCHOR | RADIALL                           | 1       |
| C -001        | 3150042200             | 0,22MMF 5 50V20% 3439050 E224M  | 0,22MMF 5 50V20% 3439050 E224M  | AUX                               | 1       |
| C -002        | 3150042200             | 0,22MMF 5 50V20% 3439050 E224M  | 0,22MMF 5 50V20% 3439050 E224M  | AUX                               | 1       |
| C -003        | 3120094700             | 4,7PF 2,5 2222 680 09 478       | 4,7PF 2,5 2222 680 09 478       | COGECO                            | 1       |
| C -004        | 3120094700             | 4,7PF 2,5 2222 680 09 478       | 4,7PF 2,5 2222 680 09 478       | COGECO                            | 1       |
| C -005        | 3120021000             | 1 NF 2,5 2222 630 51 102        | 1 NF 2,5 2222 630 51 102        | COGECO                            | 1       |
| C -006        | 3810021000             | CHIPS 1 NF 10% 63V SNPB CEC 2E  | CHIPS 1 NF 10% 63V SNPB CEC 2E  | EUROFARAD                         | 1       |
| C -007        | 3120021000             | 1 NF 2,5 2222 630 51 102        | 1 NF 2,5 2222 630 51 102        | COGECO                            | 1       |
| C -008        | 3150042200             | 0,22MMF 5 50V20% 3439050 E224M  | 0,22MMF 5 50V20% 3439050 E224M  | AUX                               | 1       |
| C -009        | 3120021000             | 1 NF 2,5 2222 630 51 102        | 1 NF 2,5 2222 630 51 102        | COGECO                            | 1       |
| C -010        | 3600050000             | 2/10 PF ... REF C010 808 23109  | 2/10 PF ... REF C010 808 23109  | RTC (C010)                        | 1       |
| C -011        | 3120021000             | 1 NF 2,5 2222 630 51 102        | 1 NF 2,5 2222 630 51 102        | COGECO                            | 1       |
| C -012        | 3150042200             | 0,22MMF 5 50V20% 3439050 E224M  | 0,22MMF 5 50V20% 3439050 E224M  | AUX                               | 1       |
| C -013        | 3120021000             | 1 NF 2,5 2222 630 51 102        | 1 NF 2,5 2222 630 51 102        | COGECO                            | 1       |
| C -014        | 3600050000             | 2/10 PF ... REF C010 808 23109  | 2/10 PF ... REF C010 808 23109  | RTC (C010)                        | 1       |
| C -015        | 3120021000             | 1 NF 2,5 2222 630 51 102        | 1 NF 2,5 2222 630 51 102        | COGECO                            | 1       |
| C -016        | 3810021000             | CHIPS 1 NF 10% 63V SNPB CEC 2E  | CHIPS 1 NF 10% 63V SNPB CEC 2E  | EUROFARAD                         | 1       |
| C -017        | 3120021000             | 1 NF 2,5 2222 630 51 102        | 1 NF 2,5 2222 630 51 102        | COGECO                            | 1       |
| C -018        | 3120021000             | 1 NF 2,5 2222 630 51 102        | 1 NF 2,5 2222 630 51 102        | COGECO                            | 1       |
| C -019        | 3150042200             | 0,22MMF 5 50V20% 3439050 E224M  | 0,22MMF 5 50V20% 3439050 E224M  | AUX                               | 1       |
| C -020        | 3120021000             | 1 NF 2,5 2222 630 51 102        | 1 NF 2,5 2222 630 51 102        | COGECO                            | 1       |
| C -021        | 3150042200             | 0,22MMF 5 50V20% 3439050 E224M  | 0,22MMF 5 50V20% 3439050 E224M  | AUX                               | 1       |
| C -022        | 3120001000             | 10PF 2,5 F' 2222 680 10 109     | 10PF 2,5 F' 2222 680 10 109     | COGECO                            | 1       |
| C -023        | 3120021000             | 1 NF 2,5 2222 630 51 102        | 1 NF 2,5 2222 630 51 102        | COGECO                            | 1       |
| C -024        | 3150042200             | 0,22MMF 5 50V20% 3439050 E224M  | 0,22MMF 5 50V20% 3439050 E224M  | AUX                               | 1       |
| C -025        | 3150042200             | 0,22MMF 5 50V20% 3439050 E224M  | 0,22MMF 5 50V20% 3439050 E224M  | AUX                               | 1       |
| C -026        | 3120021000             | 1 NF 2,5 2222 630 51 102        | 1 NF 2,5 2222 630 51 102        | COGECO                            | 1       |
| C -027        | 3120005600             | 56PF 2,5 2222 680 10 569        | 56PF 2,5 2222 680 10 569        | COGECO                            | 1       |
| C -028        | 3120003300             | 33PF 2,5 2222 680 10 339        | 33PF 2,5 2222 680 10 339        | COGECO                            | 1       |
| C -029        | 3120021000             | 1 NF 2,5 2222 630 51 102        | 1 NF 2,5 2222 630 51 102        | COGECO                            | 1       |
| C -030        | 3150042200             | 0,22MMF 5 50V20% 3439050 E224M  | 0,22MMF 5 50V20% 3439050 E224M  | AUX                               | 1       |
| C -031        | 3150042200             | 0,22MMF 5 50V20% 3439050 E224M  | 0,22MMF 5 50V20% 3439050 E224M  | AUX                               | 1       |
| C -032        | 3150042200             | 0,22MMF 5 50V20% 3439050 E224M  | 0,22MMF 5 50V20% 3439050 E224M  | AUX                               | 1       |
| C -033        | 3150042200             | 0,22MMF 5 50V20% 3439050 E224M  | 0,22MMF 5 50V20% 3439050 E224M  | AUX                               | 1       |
| C -034        | 3810021000             | CHIPS 1 NF 10% 63V SNPB CEC 2E  | CHIPS 1 NF 10% 63V SNPB CEC 2E  | EUROFARAD                         | 1       |
| C -035        | 3810021000             | CHIPS 1 NF 10% 63V SNPB CEC 2E  | CHIPS 1 NF 10% 63V SNPB CEC 2E  | EUROFARAD                         | 1       |
| D -001        | 4500560000             | BAT 19 ..... 'APRES TRI'        | BAT 19 ..... 'AFTER SORT'       | THOMSON                           | 1       |
| D -002        | 4500560000             | BAT 19 ..... 'APRES TRI'        | BAT 19 ..... 'AFTER SORT'       | THOMSON                           | 1       |
| D -003        | 4500560000             | BAT 19 ..... 'APRES TRI'        | BAT 19 ..... 'AFTER SORT'       | THOMSON                           | 1       |
| D -004        | 4600040000             | ZPDS,6 .....                    | ZPDS,6 .....                    | ITT                               | 1       |
| D -005        | 4600030000             | ZPDS,1 .....                    | ZPDS,1 .....                    | ITT                               | 1       |
| D -006        | 4600040000             | ZPDS,6 .....                    | ZPDS,6 .....                    | ITT                               | 1       |
| D -007        | 4600040000             | ZPDS,6 .....                    | ZPDS,6 .....                    | ITT                               | 1       |
| L -001        | 5300220000             | 1,0MMH ORE 53822 DEL 1025-20    | 1,0MMH ORE 53822 DEL 1025-20    | OREGA DELEVAN                     | 1       |
| L -002        | 5300220000             | 1,0MMH ORE 53822 DEL 1025-20    | 1,0MMH ORE 53822 DEL 1025-20    | OREGA DELEVAN                     | 1       |
| L -003        | 5300070000             | 0,047MMH REF 53809 .....        | 0,047MMH REF 53809 .....        | 'FU' OREGA                        | 1       |
| L -004        | 5300220000             | 1,0MMH ORE 53822 DEL 1025-20    | 1,0MMH ORE 53822 DEL 1025-20    | OREGA DELEVAN                     | 1       |
| L -005        | 5300220000             | 1,0MMH ORE 53822 DEL 1025-20    | 1,0MMH ORE 53822 DEL 1025-20    | OREGA DELEVAN                     | 1       |
| L -006        | 5300220000             | 1,0MMH ORE 53822 DEL 1025-20    | 1,0MMH ORE 53822 DEL 1025-20    | OREGA DELEVAN                     | 1       |
| L -007        | 0219720000             | 00 SELF 20MMH ..... (EX 530336) | 00 SELF 20MMH ..... (EX 530336) | ADRET                             | 1       |
| L -008        | 0219720000             | 00 SELF 20MMH ..... (EX 530336) | 00 SELF 20MMH ..... (EX 530336) | ADRET                             | 1       |
| L -010        | 5300110000             | 0,10MMH ORE 53800 DEL 1025-94   | 0,10MMH ORE 53800 DEL 1025-94   | OREGA DELEVAN                     | 1       |
| L -015        | 0219720000             | 00 SELF 20MMH ..... (EX 530336) | 00 SELF 20MMH ..... (EX 530336) | ADRET                             | 1       |
| L -016        | 0219720000             | 00 SELF 20MMH ..... (EX 530336) | 00 SELF 20MMH ..... (EX 530336) | ADRET                             | 1       |
| P -001        | 2133220000             | 22K 3/4" 15T CERMET 43 P        | 22K 3/4" 15T CERMET 43 P        | SPECTROL                          | 1       |
| P -002        | 2131100000             | 100R 3/4" 15T CERMET 43 P       | 100R 3/4" 15T CERMET 43 P       | SPECTROL                          | 1       |
| Q -001        | 4300270000             | BFR 96 POINT ORANGE C.ENTREE    | BFR96 INPUT CHECK ORANGE POINT  | RTC                               | 1       |
| Q -002        | 4300280000             | BFR 91 POINT ROUGE C.ENTREE     | BFR 91 INPUT CHECK RED POINT    | RTC                               | 1       |
| Q -003        | 4300270000             | BFR 96 POINT ORANGE C.ENTREE    | BFR96 INPUT CHECK ORANGE POINT  | RTC                               | 1       |
| Q -004        | 4300750000             | BFQ 34T .....                   | BFQ 34T .....                   | RTC                               | 1       |
| Q -005        | 4300720000             | BFY 90 .....                    | BFY 90 .....                    | RTC                               | 1       |
| Q -006        | 4300280000             | BFR 91 POINT ROUGE C.ENTREE     | BFR 91 INPUT CHECK RED POINT    | RTC                               | 1       |
| R -001        | 2905021000             | 1K 5,08 CC 5% NK3               | 1K 5,08 CC 5% NK3               | SOUCOR                            | 1       |
| R -002        | 2210042200             | 220K 5% N4                      | 220K 5% N4                      | SOUCOR                            | 1       |
| R -003        | 2905021000             | 1K 5,08 CC 5% NK3               | 1K 5,08 CC 5% NK3               | SOUCOR                            | 1       |
| R -004        | 2210001000             | 10R 5% N4                       | 10R 5% N4                       | SOUCOR                            | 1       |
| R -005        | 2210041000             | 100K 5% N4                      | 100K 5% N4                      | SOUCOR                            | 1       |
| R -006        | 2210033300             | 33K 5% N4                       | 33K 5% N4                       | SOUCOR                            | 1       |
| R -007        | 2210001000             | 10R 5% N4                       | 10R 5% N4                       | SOUCOR                            | 1       |
| R -008        | 2905031800             | 18K 5,08 CC 5% NK3              | 18K 5,08 CC 5% NK3              | SOUCOR                            | 1       |
| R -009        | 2905011000             | 100R 5,08 CC 5% NK3             | 100R 5,08 CC 5% NK3             | SOUCOR                            | 1       |
| R -010        | 2500010000             | 100R * 1% 0,3 U SMA207          | 100R * 1% 0,3 U SMA207          | DRALORIC                          | 1       |
| R -011        | 2400011800             | 180R 5% N5                      | 180R 5% N5                      | SOUCOR                            | 1       |
| R -012        | 2905012200             | 220R 5,08 CC 5% NK3             | 220R 5,08 CC 5% NK3             | SOUCOR                            | 1       |
| R -013        | 2905001000             | 10R 5,08 CC 5% NK3              | 10R 5,08 CC 5% NK3              | SOUCOR                            | 1       |
| R -014        | 2905016800             | 680R 5,08 CC 5% NK3             | 680R 5,08 CC 5% NK3             | SOUCOR                            | 1       |
| R -015        | 2905016800             | 680R 5,08 CC 5% NK3             | 680R 5,08 CC 5% NK3             | SOUCOR                            | 1       |
| R -016        | 2905012200             | 220R 5,08 CC 5% NK3             | 220R 5,08 CC 5% NK3             | SOUCOR                            | 1       |

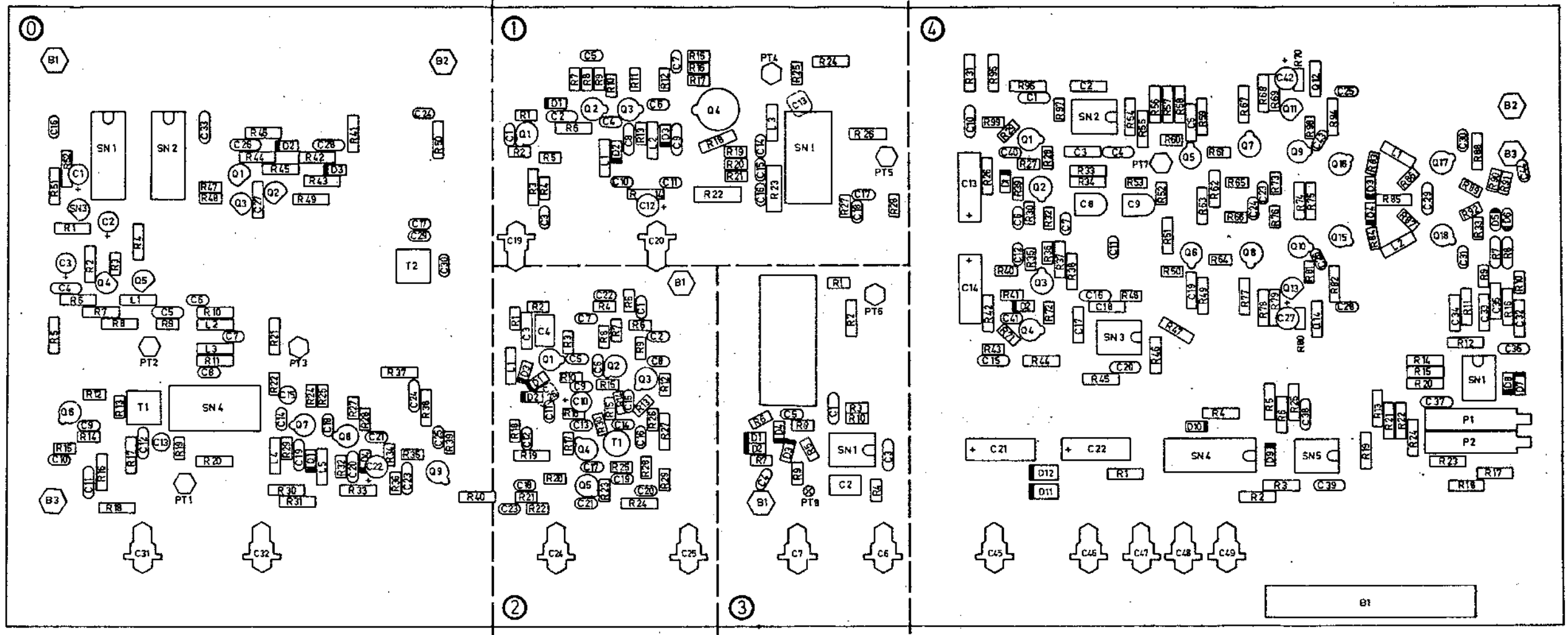
\*0274990000 08 CARTE GENERATION 400 . 730A \* 08 400 GENERATION BOARD . 730A H92.....C98D97 \*

| REPÈRE<br>INDEXE | REF.<br>PART | ADRET<br>NUMBER                 | DESCRIPTION | PART DESCRIPTION | FOURNISSEUR/PLAN<br>SUPPLIER/DRAWING | QTE<br>QTY          |    |
|------------------|--------------|---------------------------------|-------------|------------------|--------------------------------------|---------------------|----|
| R -017           | 2905005100   | 51R                             | 5,08 CC     | 5Z NK3 *         | 51R 5,08 CC                          | 5Z NK3 SOUCOR       | 1  |
| R -018           | 2905001000   | 10R                             | 5,08 CC     | 5Z NK3 *         | 10R 5,08 CC                          | 5Z NK3 SOUCOR       | 1  |
| R -019           | 2210013300   | 330R                            |             | 5Z N4 *          | 330R                                 | 5Z N4 SOUCOR        | 1  |
| R -020           | 2905005100   | 51R                             | 5,08 CC     | 5Z NK3 *         | 51R 5,08 CC                          | 5Z NK3 SOUCOR       | 1  |
| R -021           | 2905016800   | 680R                            | 5,08 CC     | 5Z NK3 *         | 680R 5,08 CC                         | 5Z NK3 SOUCOR       | 1  |
| R -022           | 2905005100   | 51R                             | 5,08 CC     | 5Z NK3 *         | 51R 5,08 CC                          | 5Z NK3 SOUCOR       | 1  |
| R -023           | 2210011800   | 180R                            |             | 5Z N4 *          | 180R                                 | 5Z N4 SOUCOR        | 1  |
| R -024           | 2905005100   | 51R                             | 5,08 CC     | 5Z NK3 *         | 51R 5,08 CC                          | 5Z NK3 SOUCOR       | 1  |
| R -025           | 2905005100   | 51R                             | 5,08 CC     | 5Z NK3 *         | 51R 5,08 CC                          | 5Z NK3 SOUCOR       | 1  |
| R -026           | 2500040200   | 402R                            | * 1Z 0,3 W  | SMA207 *         | 402R * 1Z 0,3 W                      | SMA207 DRALORIC     | 1  |
| R -027           | 2400011800   | 180R                            |             | 5Z N5 *          | 180R                                 | 5Z N5 SOUCOR        | 1  |
| R -028           | 2400011800   | 180R                            |             | 5Z N5 *          | 180R                                 | 5Z N5 SOUCOR        | 1  |
| R -029           | 2905012200   | 220R                            | 5,08 CC     | 5Z NK3 *         | 220R 5,08 CC                         | 5Z NK3 SOUCOR       | 1  |
| R -030           | 2905001000   | 10R                             | 5,08 CC     | 5Z NK3 *         | 10R 5,08 CC                          | 5Z NK3 SOUCOR       | 1  |
| R -031           | 2905001000   | 10R                             | 5,08 CC     | 5Z NK3 *         | 10R 5,08 CC                          | 5Z NK3 SOUCOR       | 1  |
| R -032           | 2905014700   | 470R                            | 5,08 CC     | 5Z NK3 *         | 470R 5,08 CC                         | 5Z NK3 SOUCOR       | 1  |
| R -033           | 2210012200   | 220R                            |             | 5Z N4 *          | 220R                                 | 5Z N4 SOUCOR        | 1  |
| R -034           | 2210021200   | 1K2                             |             | 5Z N4 *          | 1K2                                  | 5Z N4 SOUCOR        | 1  |
| R -035           | 2905001500   | 15R                             | 5,08 CC     | 5Z NK3 *         | 15R 5,08 CC                          | 5Z NK3 SOUCOR       | 1  |
| R -036           | 2905003900   | 39R                             | 5,08 CC     | 5Z NK3 *         | 39R 5,08 CC                          | 5Z NK3 SOUCOR       | 1  |
| R -037           | 2905002200   | 22R                             | 5,08 CC     | 5Z NK3 *         | 22R 5,08 CC                          | 5Z NK3 SOUCOR       | 1  |
| R -038           | 2905014700   | 470R                            | 5,08 CC     | 5Z NK3 *         | 470R 5,08 CC                         | 5Z NK3 SOUCOR       | 1  |
| R -039           | 2905011500   | 150R                            | 5,08 CC     | 5Z NK3 *         | 150R 5,08 CC                         | 5Z NK3 SOUCOR       | 1  |
| R -040           | 2905016800   | 680R                            | 5,08 CC     | 5Z NK3 *         | 680R 5,08 CC                         | 5Z NK3 SOUCOR       | 1  |
| R -041           | 2905002700   | 27R                             | 5,08 CC     | 5Z NK3 *         | 27R 5,08 CC                          | 5Z NK3 SOUCOR       | 1  |
| R -042           | 2210012200   | 220R                            |             | 5Z N4 *          | 220R                                 | 5Z N4 SOUCOR        | 1  |
| R -043           | 2905002700   | 27R                             | 5,08 CC     | 5Z NK3 *         | 27R 5,08 CC                          | 5Z NK3 SOUCOR       | 1  |
| R -044           | 2905001000   | 10R                             | 5,08 CC     | 5Z NK3 *         | 10R 5,08 CC                          | 5Z NK3 SOUCOR       | 1  |
| R -045           | 2500040200   | 402R                            | * 1Z 0,3 W  | SMA207 *         | 402R * 1Z 0,3 W                      | SMA207 DRALORIC     | 1  |
| SN -001          | 4200360000   | TL 072 CP                       |             |                  | TL 072 CP                            | TEXAS               | 1  |
| SN -002          | 0275530000   | OI MEI MODULATEUR ADRET         | ME1         |                  | OI MEI MODULATEUR (ADRET)            | ME1 B93             | 1  |
| Z0               | 0204860000   | O1 COAX 2TR'320'.....L315       | 730A        |                  | O1 COAX 2TR'320'.....L315            | 730A B94            | 1  |
| Z0               | 0204870000   | O2 COAX 2TR'320'.....L555       | 730A        |                  | O2 COAX 2TR'320'.....L555            | 730A D94            | 1  |
| Z0               | 0219630000   | O CAGE "L139" TEFLON ...        | 730A        |                  | O0 TEFLON "L139"ENCLOSURE            | 730A ADRET          | 2  |
| Z0               | 0219640000   | O0 CAGE "L113" TEFLON ...       | 730A        |                  | O0 TEFLON "L113"ENCLOSURE            | 730A ADRET          | 2  |
| Z1               | 1100530000   | FIL.NU.ETAME.6/10               |             |                  | * TINNED BARE THREAD 6/10            | ELECTROFIL          | 0  |
| Z1               | 1100600000   | FIL CUIVRE EMAIL SOUD. 60/100E  |             |                  | * THREAD 60/100E                     | ELECTROFIL          | 0  |
| Z1               | 1274991000   | CI GENERATION 400MHZ ....       | 730A        |                  | * 400MHZ GENERATION PC ....          | 730A L997499.....TM | 1  |
| Z1               | 1300450000   | GAINÉ F4,8 FP301 3/16 . SFM 48  |             |                  | * SHEATH F4.8 FP301 3/16 SFM 48      | HELLERMANN          | 0  |
| Z1               | 1300900000   | PASSE FIL ..... REF 8-3-5-2     |             |                  | * FEED-THROUGH SLEEV.REF 8-3-5-2     | FAISANT             | 2  |
| Z1               | 1400109900   | POINT TEST                      |             |                  | * TEST POINT                         | C940850             | 1  |
| Z1               | 1400225500   | EMBASE COAXIALE "TEST" TR 540   |             |                  | * TEST POINT HF TR 540               | TRELEC(A932998)     | 3  |
| Z1               | 1400225600   | EMBOUT KX22A "PARALL" 22205-110 |             |                  | * CAP KX22A "PARALL" 22205-110       | ATI                 | 2  |
| Z5               | 5500170000   | TORE 4B1 3,7X1,2X3,5            |             |                  | * TORE 4B1 3.7X1.2X3.5               | RTC                 | 3  |
| Z5               | 5500190000   | TORE FT 5 T6 AL 800             |             |                  | * TORE FT 5 T6 AL 800                | LCC                 | 6  |
| Z6               | 6108020600   | ACF 2X6 BOMBEE TAPTITE CRUCIF   |             |                  | * ACF 2X6 BOMBEE TAPTITE CRUCIF      | GAUBIN DAUDE        | 12 |
| Z6               | 6140120600   | TC M2 X 6 U NFE27-115-4,6 INOX  |             |                  | * TC M2 X 6 U NFE27-115-4,6 INOX     | BD                  | 6  |
| Z6               | 6400530000   | OEUILLÉ LAITON ..... N° 2070    |             |                  | * FIXING EYELET BRASS .. N° 2070     | MFOH                | 7  |
| Z8               | 0280081116   | COUVERCLE GENERATION 400        | 730A        |                  | * 400 GENERATION COVER ....          | 730A B94            | 1  |
| Z8               | 8007632600   | VIS DE REGLAGE FILTRE .. 7200A  |             |                  | * FILTER ADJUSTMENT SCREW 7200A      | C942820             | 4  |
| Z8               | 8008020100   | BARRETTE FIXAT. CARTE(M2) 740A  |             |                  | * (M2) BOARD ANCHOR BAR ...          | 740A B94            | 1  |
| Z8               | 8008120700   | CORPS DE FILTRE 2 MODULES 730A  |             |                  | * FILTER BODY 2 MODULES ...          | 730A B94            | 2  |
| Z8               | 8108071000   | FROTTEUR CONTACT MASSE '2' 740A |             |                  | * GROUND CONTACT WIPER '2' 740A      |                     | 2  |



|                              |                         |  |
|------------------------------|-------------------------|--|
| <b>ADRETE ELECTRONIQUE</b>   |                         | 19, rue de la République<br>92100 CLAMART<br>TÉL. 01 1 47 38 00 00 |
| VHF et<br>AMPLI de PUISSANCE |                         | VHF and<br>POWER OUTPUT  |
| DATE: 11 03 85               | ÉTUDE: DESSIN: VERIF: R | D 9 7 0 2 7 5 2 0 0 1 0 0 1/2                                      |





\*0275200100 OS MODULE UHF (22,9DBM).. 730A \* OS UHF MODULE (22,9DBM).. 730A H91.....C98097 \*

| REPERE INDEXE | REF. ADRET PART NUMBER | DESCRIPTION                     | PART DESCRIPTION                   | FURNISSEUR/PLAN SUPPLIER/DRAWING | QTE QTY |
|---------------|------------------------|---------------------------------|------------------------------------|----------------------------------|---------|
| B -001        | 1400217300             | KMU10 EMBASE MALE FIXAT. AVANT  | * KMU10 MALE SOCKET FRONT ANCHOR   | SEAELECTRO                       | 1       |
| B -002        | 1400217300             | KMU10 EMBASE MALE FIXAT. AVANT  | * KMU10 MALE SOCKET FRONT ANCHOR   | SEAELECTRO                       | 1       |
| B -003        | 1400217300             | KMU10 EMBASE MALE FIXAT. AVANT  | * KMU10 MALE SOCKET FRONT ANCHOR   | SEAELECTRO                       | 1       |
| B -201        | 1400217300             | KMU10 EMBASE MALE FIXAT. AVANT  | * KMU10 MALE SOCKET FRONT ANCHOR   | SEAELECTRO                       | 1       |
| B -301        | 1400217300             | KMU10 EMBASE MALE FIXAT. AVANT  | * KMU10 MALE SOCKET FRONT ANCHOR   | SEAELECTRO                       | 1       |
| B -401        | 1420028900             | 20 TRANS DROIT EJECT 3428-6202  | * 20 STRAIGHT LINKAGE 3428-6202 3M |                                  | 1       |
| B -402        | 1400217300             | KMU10 EMBASE MALE FIXAT. AVANT  | * KMU10 MALE SOCKET FRONT ANCHOR   | SEAELECTRO                       | 1       |
| B -403        | 1400217300             | KMU10 EMBASE MALE FIXAT. AVANT  | * KMU10 MALE SOCKET FRONT ANCHOR   | SEAELECTRO                       | 1       |
| C -001        | 3700020000             | 1MMF/35U 5,08 .... STAND L TAG  | * 1MMF/35U 5,08 .... STAND L TAG   | STC                              | 1       |
| C -002        | 3700020000             | 1MMF/35U 5,08 .... STAND L TAG  | * 1MMF/35U 5,08 .... STAND L TAG   | STC                              | 1       |
| C -003        | 3700160000             | 10MMF/25U 5,08 ... STAND L TAG  | * 10MMF/25U 5,08 ... STAND L TAG   | STC                              | 1       |
| C -004        | 3150031000             | 10NF 5,08 63V GOX 767 14        | * 10NF 5,08 63V GOX 767 14         | LCC                              | 1       |
| C -005        | 3150031000             | 10NF 5,08 63V GOX 767 14        | * 10NF 5,08 63V GOX 767 14         | LCC                              | 1       |
| C -006        | 3120005600             | 56PF 2,5 2222 680 10 569        | * 56PF 2,5 2222 680 10 569         | COGECO                           | 1       |
| C -007        | 3120011000             | 100PF 2,5 'N10' 2222 680 58 101 | * 100PF 2,5 'N10' 2222 680 58 101  | COGECO                           | 1       |
| C -008        | 3120005600             | 56PF 2,5 2222 680 10 569        | * 56PF 2,5 2222 680 10 569         | COGECO                           | 1       |
| C -009        | 3120094700             | 4,7PF 2,5 2222 680 09 478       | * 4,7PF 2,5 2222 680 09 478        | COGECO                           | 1       |
| C -010        | 3120021000             | 1 NF 2,5 2222 630 51 102        | * 1 NF 2,5 2222 630 51 102         | COGECO                           | 1       |
| C -011        | 3150042200             | 0,22MMF 5 50U20% 3439050 E224M  | * 0,22MMF 5 50U20% 3439050 E224M   | AUX                              | 1       |
| C -012        | 3150042200             | 0,22MMF 5 50U20% 3439050 E224M  | * 0,22MMF 5 50U20% 3439050 E224M   | AUX                              | 1       |
| C -013        | 3600170000             | 2 A 10PF ..... DVS3A10          | * 2 A 10PF ..... DVS3A10           | JFB                              | 1       |
| C -014        | 3120021000             | 1 NF 2,5 2222 630 51 102        | * 1 NF 2,5 2222 630 51 102         | COGECO                           | 1       |
| C -015        | 3600170000             | 2 A 10PF ..... DVS3A10          | * 2 A 10PF ..... DVS3A10           | JFB                              | 1       |
| C -016        | 3120001500             | 15PF 2,5 'H' 2222 680 10 159    | * 15PF 2,5 'H' 2222 680 10 159     | COGECO                           | 1       |
| C -017        | 3120013300             | 330PF 2,5 'N33' 2222 680 58 331 | * 330PF 2,5 'N33' 2222 680 58 331  | COGECO                           | 1       |
| C -018        | 3120021000             | 1 NF 2,5 2222 630 51 102        | * 1 NF 2,5 2222 630 51 102         | COGECO                           | 1       |
| C -019        | 3150042200             | 0,22MMF 5 50U20% 3439050 E224M  | * 0,22MMF 5 50U20% 3439050 E224M   | AUX                              | 1       |
| C -020        | 3150042200             | 0,22MMF 5 50U20% 3439050 E224M  | * 0,22MMF 5 50U20% 3439050 E224M   | AUX                              | 1       |
| C -021        | 3120021000             | 1 NF 2,5 2222 630 51 102        | * 1 NF 2,5 2222 630 51 102         | COGECO                           | 1       |
| C -022        | 3700160000             | 10MMF/25U 5,08 .... STAND L TAG | * 10MMF/25U 5,08 .... STAND L TAG  | STC                              | 1       |
| C -023        | 3150042200             | 0,22MMF 5 50U20% 3439050 E224M  | * 0,22MMF 5 50U20% 3439050 E224M   | AUX                              | 1       |
| C -024        | 3150042200             | 0,22MMF 5 50U20% 3439050 E224M  | * 0,22MMF 5 50U20% 3439050 E224M   | AUX                              | 1       |
| C -025        | 3120098200             | 8,2PF 2,5 'E' 2222 680 09 828   | * 8,2PF 2,5 'E' 2222 680 09 828    | COGECO                           | 1       |
| C -026        | 3150042200             | 0,22MMF 5 50U20% 3439050 E224M  | * 0,22MMF 5 50U20% 3439050 E224M   | AUX                              | 1       |
| C -027        | 3232100300             | 1NF 5,08 63V IR0607             | * 1NF 5,08 63V IR0607              | LCC                              | 1       |
| C -028        | 3150042200             | 0,22MMF 5 50U20% 3439050 E224M  | * 0,22MMF 5 50U20% 3439050 E224M   | AUX                              | 1       |
| C -029        | 3120012700             | 270PF 2,5 'N27' 2222 680 58 271 | * 270PF 2,5 'N27' 2222 680 58 271  | COGECO                           | 1       |
| C -030        | 3120011800             | 180PF 2,5 'N18' 2222 680 58 181 | * 180PF 2,5 'N18' 2222 680 58 181  | COGECO                           | 1       |
| C -031        | 3100610000             | FILTRE TRAVER ECROU B85313A87   | * NUT PINCH FILTER ... B85313A87   | SIEMENS                          | 1       |
| C -032        | 3100610000             | FILTRE TRAVER ECROU B85313A87   | * NUT PINCH FILTER ... B85313A87   | SIEMENS                          | 1       |
| C -033        | 3150042200             | 0,22MMF 5 50U20% 3439050 E224M  | * 0,22MMF 5 50U20% 3439050 E224M   | AUX                              | 1       |
| C -034        | 3810001000             | CHIPS 10PF 5% 63V SNPB CEC 2E   | * CHIPS 10PF 5% 63V SNPB CEC 2E    | EUROFARAD                        | 1       |
| C -101        | 3120094700             | 4,7PF 2,5 2222 680 09 478       | * 4,7PF 2,5 2222 680 09 478        | COGECO                           | 1       |
| C -102        | 3150042200             | 0,22MMF 5 50U20% 3439050 E224M  | * 0,22MMF 5 50U20% 3439050 E224M   | AUX                              | 1       |
| C -103        | 3120021000             | 1 NF 2,5 2222 630 51 102        | * 1 NF 2,5 2222 630 51 102         | COGECO                           | 1       |
| C -104        | 3120021000             | 1 NF 2,5 2222 630 51 102        | * 1 NF 2,5 2222 630 51 102         | COGECO                           | 1       |
| C -105        | 3120001800             | 18PF 2,5 'J' 2222 680 10 189    | * 18PF 2,5 'J' 2222 680 10 189     | COGECO                           | 1       |
| C -106        | 3120021000             | 1 NF 2,5 2222 630 51 102        | * 1 NF 2,5 2222 630 51 102         | COGECO                           | 1       |
| C -107        | 3120001500             | 15PF 2,5 'H' 2222 680 10 159    | * 15PF 2,5 'H' 2222 680 10 159     | COGECO                           | 1       |
| C -108        | 3150042200             | 0,22MMF 5 50U20% 3439050 E224M  | * 0,22MMF 5 50U20% 3439050 E224M   | AUX                              | 1       |
| C -109        | 3150042200             | 0,22MMF 5 50U20% 3439050 E224M  | * 0,22MMF 5 50U20% 3439050 E224M   | AUX                              | 1       |
| C -110        | 3120021000             | 1 NF 2,5 2222 630 51 102        | * 1 NF 2,5 2222 630 51 102         | COGECO                           | 1       |
| C -111        | 3120021000             | 1 NF 2,5 2222 630 51 102        | * 1 NF 2,5 2222 630 51 102         | COGECO                           | 1       |
| C -112        | 3700160000             | 10MMF/25U 5,08 ... STAND L TAG  | * 10MMF/25U 5,08 ... STAND L TAG   | STC                              | 1       |
| C -113        | 3810001000             | CHIPS 10PF 5% 63V SNPB CEC 2E   | * CHIPS 10PF 5% 63V SNPB CEC 2E    | EUROFARAD                        | 1       |
| C -114        | 3120021000             | 1 NF 2,5 2222 630 51 102        | * 1 NF 2,5 2222 630 51 102         | COGECO                           | 1       |
| C -115        | 3120001500             | 15PF 2,5 'H' 2222 680 10 159    | * 15PF 2,5 'H' 2222 680 10 159     | COGECO                           | 1       |
| C -116        | 3120021000             | 1 NF 2,5 2222 630 51 102        | * 1 NF 2,5 2222 630 51 102         | COGECO                           | 1       |
| C -117        | 3120002200             | 22PF 2,5 'K' 2222 680 10 229    | * 22PF 2,5 'K' 2222 680 10 229     | COGECO                           | 1       |
| C -118        | 3120094700             | 4,7PF 2,5 2222 680 09 478       | * 4,7PF 2,5 2222 680 09 478        | COGECO                           | 1       |
| C -119        | 3100610000             | FILTRE TRAVER ECROU B85313A87   | * NUT PINCH FILTER ... B85313A87   | SIEMENS                          | 1       |
| C -120        | 3100610000             | FILTRE TRAVER ECROU B85313A87   | * NUT PINCH FILTER ... B85313A87   | SIEMENS                          | 1       |
| C -201        | 3120021000             | 1 NF 2,5 2222 630 51 102        | * 1 NF 2,5 2222 630 51 102         | COGECO                           | 1       |
| C -202        | 3120021000             | 1 NF 2,5 2222 630 51 102        | * 1 NF 2,5 2222 630 51 102         | COGECO                           | 1       |
| C -203        | 3232220200             | 2200PF 5,08 10% IR0607          | * 2200PF 5,08 10% IR0607           | LCC                              | 1       |
| C -204        | 3234100400             | 0,1 MMF 5,08 10% IR0607         | * 0,1 MMF 5,08 10% IR0607          | LCC                              | 1       |
| C -205        | 3810021000             | CHIPS 1 NF 10% 63V SNPB CEC 2E  | * CHIPS 1 NF 10% 63V SNPB CEC 2E   | EUROFARAD                        | 1       |
| C -206        | 3120094700             | 4,7PF 2,5 2222 680 09 478       | * 4,7PF 2,5 2222 680 09 478        | COGECO                           | 1       |
| C -207        | 3120021000             | 1 NF 2,5 2222 630 51 102        | * 1 NF 2,5 2222 630 51 102         | COGECO                           | 1       |
| C -208        | 3120094700             | 4,7PF 2,5 2222 680 09 478       | * 4,7PF 2,5 2222 680 09 478        | COGECO                           | 1       |
| C -209        | 3120021000             | 1 NF 2,5 2222 630 51 102        | * 1 NF 2,5 2222 630 51 102         | COGECO                           | 1       |
| C -210        | 3700160000             | 10MMF/25U 5,08 ... STAND L TAG  | * 10MMF/25U 5,08 ... STAND L TAG   | STC                              | 1       |
| C -211        | 3120011000             | 100PF 2,5 'N10' 2222 680 58 101 | * 100PF 2,5 'N10' 2222 680 58 101  | COGECO                           | 1       |
| C -212        | 3120021000             | 1 NF 2,5 2222 630 51 102        | * 1 NF 2,5 2222 630 51 102         | COGECO                           | 1       |
| C -213        | 3120094700             | 4,7PF 2,5 2222 680 09 478       | * 4,7PF 2,5 2222 680 09 478        | COGECO                           | 1       |
| C -214        | 3120011000             | 100PF 2,5 'N10' 2222 680 58 101 | * 100PF 2,5 'N10' 2222 680 58 101  | COGECO                           | 1       |
| C -215        | 3120021000             | 1 NF 2,5 2222 630 51 102        | * 1 NF 2,5 2222 630 51 102         | COGECO                           | 1       |
| C -216        | 3120011000             | 100PF 2,5 'N10' 2222 680 58 101 | * 100PF 2,5 'N10' 2222 680 58 101  | COGECO                           | 1       |
| C -217        | 3120021000             | 1 NF 2,5 2222 630 51 102        | * 1 NF 2,5 2222 630 51 102         | COGECO                           | 1       |

\*0275200100 OS MODULE VHF (22,90BM).. 730A \* 05 VHF MODULE (22,90BM).. 730A H91.....C98097 \*

| REPERE INDEXE | REF. ADRET PART NUMBER | DESCRIPTION                     | PART DESCRIPTION                | FOURNISSEUR/PLAN SUPPLIER/DRAWING | QTE QTY |
|---------------|------------------------|---------------------------------|---------------------------------|-----------------------------------|---------|
| C -218        | 3120021000             | 1 NF 2,5 2222 630 51 102        | 1 NF 2,5 2222 630 51 102        | COGECO                            | 1       |
| C -219        | 3120011000             | 100PF 2,5 'N10' 2222 680 58 101 | 100PF 2,5 'N10' 2222 680 58 101 | COGECO                            | 1       |
| C -220        | 3120021000             | 1 NF 2,5 2222 630 51 102        | 1 NF 2,5 2222 630 51 102        | COGECO                            | 1       |
| C -221        | 3120094700             | 4,7PF 2,5 2222 680 09 478       | 4,7PF 2,5 2222 680 09 478       | COGECO                            | 1       |
| C -222        | 3120021000             | 1 NF 2,5 2222 630 51 102        | 1 NF 2,5 2222 630 51 102        | COGECO                            | 1       |
| C -223        | 3120021000             | 1 NF 2,5 2222 630 51 102        | 1 NF 2,5 2222 630 51 102        | COGECO                            | 1       |
| C -224        | 3100610000             | FILTRE TRAVER ECROU B85313AB7   | NUT PINCH FILTER ... B85313AB7  | SIEMENS                           | 1       |
| C -225        | 3100610000             | FILTRE TRAVER ECROU B85313AB7   | NUT PINCH FILTER ... B85313AB7  | SIEMENS                           | 1       |
| C -226        | 3120001000             | 10PF 2,5 'F' 2222 680 10 109    | 10PF 2,5 'F' 2222 680 10 109    | COGECO                            | 1       |
| C -301        | 3150042200             | 0,22MMF 5 50U20X 3439050 E224M  | 0,22MMF 5 50U20X 3439050 E224M  | AUX                               | 1       |
| C -302        | 3234470300             | 0,47MMF 5,08 10X IRD807         | 0,47MMF 5,08 10X IRD807         | LCC                               | 1       |
| C -303        | 3150042200             | 0,22MMF 5 50U20X 3439050 E224M  | 0,22MMF 5 50U20X 3439050 E224M  | AUX                               | 1       |
| C -304        | 3120011000             | 100PF 2,5 'N10' 2222 680 58 101 | 100PF 2,5 'N10' 2222 680 58 101 | COGECO                            | 1       |
| C -305        | 3120011000             | 100PF 2,5 'N10' 2222 680 58 101 | 100PF 2,5 'N10' 2222 680 58 101 | COGECO                            | 1       |
| C -306        | 3100610000             | FILTRE TRAVER ECROU B85313AB7   | NUT PINCH FILTER ... B85313AB7  | SIEMENS                           | 1       |
| C -307        | 3100610000             | FILTRE TRAVER ECROU B85313AB7   | NUT PINCH FILTER ... B85313AB7  | SIEMENS                           | 1       |
| C -401        | 3150042200             | 0,22MMF 5 50U20X 3439050 E224M  | 0,22MMF 5 50U20X 3439050 E224M  | AUX                               | 1       |
| C -402        | 3234100400             | 0,1 MMF 5,08 10X IRD607         | 0,1 MMF 5,08 10X IRD607         | LCC                               | 1       |
| C -403        | 3234100400             | 0,1 MMF 5,08 10X IRD607         | 0,1 MMF 5,08 10X IRD607         | LCC                               | 1       |
| C -404        | 3150042200             | 0,22MMF 5 50U20X 3439050 E224M  | 0,22MMF 5 50U20X 3439050 E224M  | AUX                               | 1       |
| C -405        | 3234100400             | 0,1 MMF 5,08 10X IRD607         | 0,1 MMF 5,08 10X IRD607         | LCC                               | 1       |
| C -406        | 3120001500             | 15PF 2,5 'H' 2222 680 10 159    | 15PF 2,5 'H' 2222 680 10 159    | COGECO                            | 1       |
| C -407        | 3120096800             | 6,8PF 2,5 'D' 2222 680 09 688   | 6,8PF 2,5 'D' 2222 680 09 688   | COGECO                            | 1       |
| C -408        | 3600120000             | 4/20 PF ... REF C010 808 23209  | 4/20 PF ... REF C010 808 23209  | RTC(C010)                         | 1       |
| C -409        | 3600120000             | 4/20 PF ... REF C010 808 23209  | 4/20 PF ... REF C010 808 23209  | RTC(C010)                         | 1       |
| C -410        | 3150042200             | 0,22MMF 5 50U20X 3439050 E224M  | 0,22MMF 5 50U20X 3439050 E224M  | AUX                               | 1       |
| C -411        | 3120001200             | 12PF 2,5 'G' 2222 680 10 129    | 12PF 2,5 'G' 2222 680 10 129    | COGECO                            | 1       |
| C -412        | 3120001500             | 15PF 2,5 'H' 2222 680 10 159    | 15PF 2,5 'H' 2222 680 10 159    | COGECO                            | 1       |
| C -413        | 3700170000             | 22MMF/15V L14 20X CTS13         | 22MMF/15V L14 20X CTS13         | SPRAGUE                           | 1       |
| C -414        | 3700170000             | 22MMF/15V L14 20X CTS13         | 22MMF/15V L14 20X CTS13         | SPRAGUE                           | 1       |
| C -415        | 3150042200             | 0,22MMF 5 50U20X 3439050 E224M  | 0,22MMF 5 50U20X 3439050 E224M  | AUX                               | 1       |
| C -416        | 3150042200             | 0,22MMF 5 50U20X 3439050 E224M  | 0,22MMF 5 50U20X 3439050 E224M  | AUX                               | 1       |
| C -417        | 3234100400             | 0,1 MMF 5,08 10X IRD607         | 0,1 MMF 5,08 10X IRD607         | LCC                               | 1       |
| C -418        | 3234100400             | 0,1 MMF 5,08 10X IRD607         | 0,1 MMF 5,08 10X IRD607         | LCC                               | 1       |
| C -419        | 3234100400             | 0,1 MMF 5,08 10X IRD607         | 0,1 MMF 5,08 10X IRD607         | LCC                               | 1       |
| C -420        | 3150042200             | 0,22MMF 5 50U20X 3439050 E224M  | 0,22MMF 5 50U20X 3439050 E224M  | AUX                               | 1       |
| C -421        | 3700140000             | 10MMF/25V L14 20X CTS13         | 10MMF/25V L14 20X CTS13         | SPRAGUE                           | 1       |
| C -422        | 3700140000             | 10MMF/25V L14 20X CTS13         | 10MMF/25V L14 20X CTS13         | SPRAGUE                           | 1       |
| C -423        | 3800042200             | CHIPS 0,22MMF 20X 25V Z5U-1808  | CHIPS 0,22MMF 20X 25V Z5U-1808  | RTC                               | 1       |
| C -424        | 3800042200             | CHIPS 0,22MMF 20X 25V Z5U-1808  | CHIPS 0,22MMF 20X 25V Z5U-1808  | RTC                               | 1       |
| C -425        | 3800042200             | CHIPS 0,22MMF 20X 25V Z5U-1808  | CHIPS 0,22MMF 20X 25V Z5U-1808  | RTC                               | 1       |
| C -426        | 3120021000             | 1 NF 2,5 2222 630 51 102        | 1 NF 2,5 2222 630 51 102        | COGECO                            | 1       |
| C -427        | 3700160000             | 10MMF/25V 5,08 ... STAND L TAG  | 10MMF/25V 5,08 ... STAND L TAG  | STC                               | 1       |
| C -428        | 3800042200             | CHIPS 0,22MMF 20X 25V Z5U-1808  | CHIPS 0,22MMF 20X 25V Z5U-1808  | RTC                               | 1       |
| C -429        | 3150042200             | 0,22MMF 5 50U20X 3439050 E224M  | 0,22MMF 5 50U20X 3439050 E224M  | AUX                               | 1       |
| C -430        | 3800042200             | CHIPS 0,22MMF 20X 25V Z5U-1808  | CHIPS 0,22MMF 20X 25V Z5U-1808  | RTC                               | 1       |
| C -431        | 3800042200             | CHIPS 0,22MMF 20X 25V Z5U-1808  | CHIPS 0,22MMF 20X 25V Z5U-1808  | RTC                               | 1       |
| C -432        | 3234100400             | 0,1 MMF 5,08 10X IRD607         | 0,1 MMF 5,08 10X IRD607         | LCC                               | 1       |
| C -433        | 3234100400             | 0,1 MMF 5,08 10X IRD607         | 0,1 MMF 5,08 10X IRD607         | LCC                               | 1       |
| C -434        | 3233100300             | 10NF 5,08 10X IRD607            | 10NF 5,08 10X IRD607            | LCC                               | 1       |
| C -435        | 3233100300             | 10NF 5,08 10X IRD607            | 10NF 5,08 10X IRD607            | LCC                               | 1       |
| C -436        | 3150042200             | 0,22MMF 5 50U20X 3439050 E224M  | 0,22MMF 5 50U20X 3439050 E224M  | AUX                               | 1       |
| C -437        | 3150042200             | 0,22MMF 5 50U20X 3439050 E224M  | 0,22MMF 5 50U20X 3439050 E224M  | AUX                               | 1       |
| C -438        | 3150042200             | 0,22MMF 5 50U20X 3439050 E224M  | 0,22MMF 5 50U20X 3439050 E224M  | AUX                               | 1       |
| C -439        | 3150042200             | 0,22MMF 5 50U20X 3439050 E224M  | 0,22MMF 5 50U20X 3439050 E224M  | AUX                               | 1       |
| C -440        | 3120001200             | 12PF 2,5 'G' 2222 680 10 129    | 12PF 2,5 'G' 2222 680 10 129    | COGECO                            | 1       |
| C -441        | 3120001200             | 12PF 2,5 'G' 2222 680 10 129    | 12PF 2,5 'G' 2222 680 10 129    | COGECO                            | 1       |
| C -442        | 3700160000             | 10MMF/25V 5,08 ... STAND L TAG  | 10MMF/25V 5,08 ... STAND L TAG  | STC                               | 1       |
| C -443        | 3120021000             | 1 NF 2,5 2222 630 51 102        | 1 NF 2,5 2222 630 51 102        | COGECO                            | 1       |
| C -444        | 3120095600             | 5,6PF 2,5 'C' 2222 680 09 568   | 5,6PF 2,5 'C' 2222 680 09 568   | COGECO                            | 1       |
| C -445        | 3100610000             | FILTRE TRAVER ECROU B85313AB7   | NUT PINCH FILTER ... B85313AB7  | SIEMENS                           | 1       |
| C -446        | 3100610000             | FILTRE TRAVER ECROU B85313AB7   | NUT PINCH FILTER ... B85313AB7  | SIEMENS                           | 1       |
| C -447        | 3100610000             | FILTRE TRAVER ECROU B85313AB7   | NUT PINCH FILTER ... B85313AB7  | SIEMENS                           | 1       |
| C -448        | 3100610000             | FILTRE TRAVER ECROU B85313AB7   | NUT PINCH FILTER ... B85313AB7  | SIEMENS                           | 1       |
| C -449        | 3100610000             | FILTRE TRAVER ECROU B85313AB7   | NUT PINCH FILTER ... B85313AB7  | SIEMENS                           | 1       |
| D -001        | 4600040000             | ZPD5,6                          | ZPD5,6                          | ITT                               | 1       |
| D -002        | 4500020000             | IN4151                          | IN4151                          | FU'ITT                            | 1       |
| D -003        | 4500020000             | IN4151                          | IN4151                          | FU'ITT                            | 1       |
| D -004        | 4600040000             | ZPD5,6                          | ZPD5,6                          | ITT                               | 1       |
| D -101        | 4600040000             | ZPD5,6                          | ZPD5,6                          | ITT                               | 1       |
| D -102        | 4600040000             | ZPD5,6                          | ZPD5,6                          | ITT                               | 1       |
| D -103        | 4600120000             | ZPD8,2                          | ZPD8,2                          | ITT                               | 1       |
| D -201        | 4500450000             | BB 409 (STANDARD)               | BB 409 (STANDARD)               | SIEMENS                           | 1       |
| D -202        | 4500450000             | BB 409 (STANDARD)               | BB 409 (STANDARD)               | SIEMENS                           | 1       |
| D -203        | 4500450000             | BB 409 (STANDARD)               | BB 409 (STANDARD)               | SIEMENS                           | 1       |
| D -301        | 4500340000             | BA 479G (DIODE PIN)             | BA 479G (PIN DIODE)             | TFK                               | 1       |
| D -302        | 4500340000             | BA 479G (DIODE PIN)             | BA 479G (PIN DIODE)             | TFK                               | 1       |
| D -303        | 4500340000             | BA 479G (DIODE PIN)             | BA 479G (PIN DIODE)             | TFK                               | 1       |
| D -304        | 4500340000             | BA 479G (DIODE PIN)             | BA 479G (PIN DIODE)             | TFK                               | 1       |

\*0275200100 05 MODULE VHF (22.90BM).. 730A \* 05 VHF MODULE (22.90BM).. 730A H91.....C98D97 \*

| REPERE INDEXE | REF. ADRET PART NUMBER | DESCRIPTION                    | PART DESCRIPTION               | FURNISSEUR/PLAN SUPPLIER/DRAWING               | QTE QTY |
|---------------|------------------------|--------------------------------|--------------------------------|--|---------|
| D -401        | 4500020000             | IN4151                         | IN4151                         | FU'ITT'  | 1       |
| D -402        | 4500020000             | IN4151                         | IN4151                         | FU'ITT'  | 1       |
| D -403        | 4500310000             | 1 N 4448                       | 1 N 4448                       | ITT  | 1       |
| D -404        | 4500310000             | 1 N 4448                       | 1 N 4448                       | ITT  | 1       |
| D -405        | 4500560000             | BAT 19                         | BAT 19                         | AFTER SORT THOMSON                             | 1       |
| D -406        | 4500560000             | BAT 19                         | BAT 19                         | AFTER SORT THOMSON                             | 1       |
| D -407        | 4500560000             | BAT 19                         | BAT 19                         | AFTER SORT THOMSON                             | 1       |
| D -408        | 4500560000             | BAT 19                         | BAT 19                         | AFTER SORT THOMSON                             | 1       |
| D -409        | 4600080000             | ZPD6,8                         | ZPD6,8                         | ITT  | 1       |
| D -410        | 4600080000             | ZPD6,8                         | ZPD6,8                         | ITT  | 1       |
| D -411        | 4500040000             | IN4004                         | IN4004                         | ITT  | 1       |
| D -412        | 4500040000             | IN4004                         | IN4004                         | ITT  | 1       |
| L -001        | 5300340000             | 10MMH ORE 53846 DEL 1025-44    | 10MMH ORE 53846 DEL 1025-44    | OREGA DELEVAN                                  | 1       |
| L -002        | 5300180000             | 0,47MMH ORE 53814 DEL 1025-12  | 0,47MMH ORE 53814 DEL 1025-12  | OREGA DELEVAN                                  | 1       |
| L -003        | 5300180000             | 0,47MMH ORE 53814 DEL 1025-12  | 0,47MMH ORE 53814 DEL 1025-12  | OREGA DELEVAN                                  | 1       |
| L -004        | 5300220000             | 1,0MMH ORE 53822 DEL 1025-20   | 1,0MMH ORE 53822 DEL 1025-20   | OREGA DELEVAN                                  | 1       |
| L -005        | 5300220000             | 1,0MMH ORE 53822 DEL 1025-20   | 1,0MMH ORE 53822 DEL 1025-20   | OREGA DELEVAN                                  | 1       |
| L -101        | 5300220000             | 1,0MMH ORE 53822 DEL 1025-20   | 1,0MMH ORE 53822 DEL 1025-20   | OREGA DELEVAN                                  | 1       |
| L -102        | 5300220000             | 1,0MMH ORE 53822 DEL 1025-20   | 1,0MMH ORE 53822 DEL 1025-20   | OREGA DELEVAN                                  | 1       |
| L -103        | 5300220000             | 1,0MMH ORE 53822 DEL 1025-20   | 1,0MMH ORE 53822 DEL 1025-20   | OREGA DELEVAN                                  | 1       |
| L -201        | 5300140100             | 0,22MMH ORE 53806 DEL 1025-04  | 0,22MMH ORE 53806 DEL 1025-04  | OREGA DELEVAN                                  | 1       |
| L -401        | 5300170000             | 0,39MMH ORE 53812 DEL 1025-10  | 0,39MMH ORE 53812 DEL 1025-10  | OREGA DELEVAN                                  | 1       |
| L -402        | 5300170000             | 0,39MMH ORE 53812 DEL 1025-10  | 0,39MMH ORE 53812 DEL 1025-10  | OREGA DELEVAN                                  | 1       |
| P -401        | 2133220000             | 22K 3/4" 1ST CERMET 43 P       | 22K 3/4" 1ST CERMET 43 P       | SPECTROL                                       | 1       |
| P -402        | 2133220000             | 22K 3/4" 1ST CERMET 43 P       | 22K 3/4" 1ST CERMET 43 P       | SPECTROL                                       | 1       |
| Q -001        | 4300620000             | MPS 918                        | MPS 918                        | MOTOROLA                                       | 1       |
| Q -002        | 4300610000             | BF 506                         | BF 506                         | MOTOROLA                                       | 1       |
| Q -003        | 4300620000             | MPS 918                        | MPS 918                        | MOTOROLA                                       | 1       |
| Q -004        | 4300600000             | MPS 3640                       | MPS 3640                       | MOTOROLA                                       | 1       |
| Q -005        | 4300600000             | MPS 3640                       | MPS 3640                       | MOTOROLA                                       | 1       |
| Q -006        | 4300310000             | BFQ 22-S                       | BFQ 22-S                       | REPLACE ON543 SUBSTITUTE TO ON543              | RTC     |
| Q -007        | 4300270000             | BFR 96                         | BFR96                          | POINT ORANGE C.ENTREE INPUT CHECK ORANGE POINT | RTC     |
| Q -008        | 4300280000             | BFR 91                         | BFR 91                         | POINT ROUGE C.ENTREE INPUT CHECK RED POINT     | RTC     |
| Q -009        | 4300310000             | BFQ 22-S                       | BFQ 22-S                       | REPLACE ON543 SUBSTITUTE TO ON543              | RTC     |
| Q -101        | 4300310000             | BFQ 22-S                       | BFQ 22-S                       | REPLACE ON543 SUBSTITUTE TO ON543              | RTC     |
| Q -102        | 4300280000             | BFR 91                         | BFR 91                         | POINT ROUGE C.ENTREE INPUT CHECK RED POINT     | RTC     |
| Q -103        | 4300270000             | BFR 96                         | BFR96                          | POINT ORANGE C.ENTREE INPUT CHECK ORANGE POINT | RTC     |
| Q -104        | 4300400000             | TP 3094                        | TP 3094                        |  | TRU     |
| Q -201        | 4300250000             | BFR 90                         | BFR 90                         | POINT MARRON C.ENTREE INPUT CHECK BROWN POINT  | RTC     |
| Q -202        | 4300310000             | BFQ 22-S                       | BFQ 22-S                       | REPLACE ON543 SUBSTITUTE TO ON543              | RTC     |
| Q -203        | 4300310000             | BFQ 22-S                       | BFQ 22-S                       | REPLACE ON543 SUBSTITUTE TO ON543              | RTC     |
| Q -204        | 4300310000             | BFQ 22-S                       | BFQ 22-S                       | REPLACE ON543 SUBSTITUTE TO ON543              | RTC     |
| Q -205        | 4300310000             | BFQ 22-S                       | BFQ 22-S                       | REPLACE ON543 SUBSTITUTE TO ON543              | RTC     |
| Q -401        | 4300280000             | BFR 91                         | BFR 91                         | POINT ROUGE C.ENTREE INPUT CHECK RED POINT     | RTC     |
| Q -402        | 4300370000             | BFT 95                         | BFT 95                         | POINT VERT CE INPUT CHECK GREEN POINT          | AEG     |
| Q -403        | 4300280000             | BFR 91                         | BFR 91                         | POINT ROUGE C.ENTREE INPUT CHECK RED POINT     | RTC     |
| Q -404        | 4300370000             | BFT 95                         | BFT 95                         | POINT VERT CE INPUT CHECK GREEN POINT          | AEG     |
| Q -405        | 4300280000             | BFR 91                         | BFR 91                         | POINT ROUGE C.ENTREE INPUT CHECK RED POINT     | RTC     |
| Q -406        | 4300470000             | BFQ 32/BFT 96                  | BFQ 32/BFT 96                  | POINT VIOLET C E I C VIOLET POINT              | RTC     |
| Q -407        | 4300280000             | BFR 91                         | BFR 91                         | POINT ROUGE C.ENTREE INPUT CHECK RED POINT     | RTC     |
| Q -408        | 4300370000             | BFT 95                         | BFT 95                         | POINT VERT CE INPUT CHECK GREEN POINT          | AEG     |
| Q -409        | 4300270000             | BFR 96                         | BFR96                          | POINT ORANGE C.ENTREE INPUT CHECK ORANGE POINT | RTC     |
| Q -410        | 4300470000             | BFQ 32/BFT 96                  | BFQ 32/BFT 96                  | POINT VIOLET C E I C VIOLET POINT              | RTC     |
| Q -411        | 4300110000             | BC560C /416C/415C/559C(BC214C) | BC560C /413C/415C/559C(BC214C) |  | RTC     |
| Q -412        | 4300420000             | BD 135                         | BD 135                         |  | AEG     |
| Q -413        | 4300190000             | BC550C /414C/413C/549C(BC184C) | BC550C /414C/413C/549C(BC184C) |  | RTC     |
| Q -414        | 4300430000             | BD 136                         | BD 136                         |  | AEG     |
| Q -415        | 4300270000             | BFR 96                         | BFR96                          | POINT ORANGE C.ENTREE INPUT CHECK ORANGE POINT | RTC     |
| Q -416        | 4300470000             | BFQ 32/BFT 96                  | BFQ 32/BFT 96                  | POINT VIOLET C E I C VIOLET POINT              | RTC     |
| Q -417        | 4300270000             | BFR 96                         | BFR96                          | POINT ORANGE C.ENTREE INPUT CHECK ORANGE POINT | RTC     |
| Q -418        | 4300470000             | BFQ 32/BFT 96                  | BFQ 32/BFT 96                  | POINT VIOLET C E I C VIOLET POINT              | RTC     |
| R -001        | 2210012700             | 270R                           | 5% N4 * 270R                   | 5% N4 SOUCOR                                   | 1       |
| R -002        | 2210022200             | 2K2                            | 5% N4 * 2K2                    | 5% N4 SOUCOR                                   | 1       |
| R -003        | 2905013300             | 330R 5,08 CC                   | 5% NK3 * 330R 5,08 CC          | 5% NK3 SOUCOR                                  | 1       |
| R -004        | 2210013300             | 330R                           | 5% N4 * 330R                   | 5% N4 SOUCOR                                   | 1       |
| R -005        | 2210013300             | 330R                           | 5% N4 * 330R                   | 5% N4 SOUCOR                                   | 1       |
| R -006        | 2210022200             | 2K2                            | 5% N4 * 2K2                    | 5% N4 SOUCOR                                   | 1       |
| R -007        | 2210014700             | 470R                           | 5% N4 * 470R                   | 5% N4 SOUCOR                                   | 1       |
| R -008        | 2210005100             | 51R                            | 5% N4 * 51R                    | 5% N4 SOUCOR                                   | 1       |
| R -009        | 2905016800             | 680R 5,08 CC                   | 5% NK3 * 680R 5,08 CC          | 5% NK3 SOUCOR                                  | 1       |
| R -010        | 2210011000             | 100R                           | 5% N4 * 100R                   | 5% N4 SOUCOR                                   | 1       |
| R -011        | 2210008200             | 82R                            | 5% N4 * 82R                    | 5% N4 SOUCOR                                   | 1       |
| R -012        | 2905002200             | 22R 5,08 CC                    | 5% NK3 * 22R 5,08 CC           | 5% NK3 SOUCOR                                  | 1       |
| R -013        | 2905011500             | 150R 5,08 CC                   | 5% NK3 * 150R 5,08 CC          | 5% NK3 SOUCOR                                  | 1       |
| R -014        | 2905001500             | 15R 5,08 CC                    | 5% NK3 * 15R 5,08 CC           | 5% NK3 SOUCOR                                  | 1       |
| R -015        | 2905003900             | 39R 5,08 CC                    | 5% NK3 * 39R 5,08 CC           | 5% NK3 SOUCOR                                  | 1       |
| R -016        | 2210021000             | 1K0                            | 5% N4 * 1K0                    | 5% N4 SOUCOR                                   | 1       |
| R -017        | 2210012200             | 220R                           | 5% N4 * 220R                   | 5% N4 SOUCOR                                   | 1       |
| R -018        | 2210012200             | 220R                           | 5% N4 * 220R                   | 5% N4 SOUCOR                                   | 1       |

| REPERE INDEXE | REF. ADRET PART NUMBER | DESCRIPTION  | PART DESCRIPTION | FOURNISSEUR/PLAN SUPPLIER/DRAWING | QTE QTY |
|---------------|------------------------|--------------|------------------|-----------------------------------|---------|
| R -019        | 2905016800             | 680R 5,08 CC | 5X NK3 *         | 5X NK3 SOUCOR                     | 1       |
| R -020        | 2210005100             | 51R          | 5X N4 *          | 5X N4 SOUCOR                      | 1       |
| R -021        | 2210005100             | 51R          | 5X N4 *          | 5X N4 SOUCOR                      | 1       |
| R -022        | 2905016800             | 680R 5,08 CC | 5X NK3 *         | 5X NK3 SOUCOR                     | 1       |
| R -024        | 2905001500             | 15R 5,08 CC  | 5X NK3 *         | 5X NK3 SOUCOR                     | 1       |
| R -025        | 2905014700             | 470R 5,08 CC | 5X NK3 *         | 5X NK3 SOUCOR                     | 1       |
| R -027        | 2905001800             | 18R 5,08 CC  | 5X NK3 *         | 5X NK3 SOUCOR                     | 1       |
| R -028        | 2905014700             | 470R 5,08 CC | 5X NK3 *         | 5X NK3 SOUCOR                     | 1       |
| R -029        | 2905011800             | 180R 5,08 CC | 5X NK3 *         | 5X NK3 SOUCOR                     | 1       |
| R -030        | 2210012200             | 220R         | 5X N4 *          | 5X N4 SOUCOR                      | 1       |
| R -031        | 2210001000             | 10R          | 5X N4 *          | 5X N4 SOUCOR                      | 1       |
| R -032        | 2905011800             | 180R 5,08 CC | 5X NK3 *         | 5X NK3 SOUCOR                     | 1       |
| R -033        | 2210013300             | 330R         | 5X N4 *          | 5X N4 SOUCOR                      | 1       |
| R -034        | 2905015600             | 560R 5,08 CC | 5X NK3 *         | 5X NK3 SOUCOR                     | 1       |
| R -035        | 2905002200             | 22R 5,08 CC  | 5X NK3 *         | 5X NK3 SOUCOR                     | 1       |
| R -036        | 2905012700             | 270R 5,08 CC | 5X NK3 *         | 5X NK3 SOUCOR                     | 1       |
| R -037        | 2210012200             | 220R         | 5X N4 *          | 5X N4 SOUCOR                      | 1       |
| R -038        | 2210021000             | 1K0          | 5X N4 *          | 5X N4 SOUCOR                      | 1       |
| R -039        | 2905001500             | 15R 5,08 CC  | 5X NK3 *         | 5X NK3 SOUCOR                     | 1       |
| R -040        | 2210003900             | 39R          | 5X N4 *          | 5X N4 SOUCOR                      | 1       |
| R -041        | 2210011000             | 100R         | 5X N4 *          | 5X N4 SOUCOR                      | 1       |
| R -042        | 2210016800             | 680R         | 5X N4 *          | 5X N4 SOUCOR                      | 1       |
| R -043        | 2210013300             | 330R         | 5X N4 *          | 5X N4 SOUCOR                      | 1       |
| R -044        | 2210021800             | 1K8          | 5X N4 *          | 5X N4 SOUCOR                      | 1       |
| R -045        | 2210013900             | 390R         | 5X N4 *          | 5X N4 SOUCOR                      | 1       |
| R -046        | 2210031000             | 10K          | 5X N4 *          | 5X N4 SOUCOR                      | 1       |
| R -047        | 2905021500             | 1K5 5,08 CC  | 5X NK3 *         | 5X NK3 SOUCOR                     | 1       |
| R -048        | 2905021500             | 1K5 5,08 CC  | 5X NK3 *         | 5X NK3 SOUCOR                     | 1       |
| R -049        | 2210001000             | 10R          | 5X N4 *          | 5X N4 SOUCOR                      | 1       |
| R -050        | 2210011000             | 100R         | 5X N4 *          | 5X N4 SOUCOR                      | 1       |
| R -051        | 2500073200             | 732R         | SMA207           | SMA207 ORALORIC                   | 1       |
| R -052        | 2500024300             | 243R         | SMA207           | SMA207 ORALORIC                   | 1       |
| R -101        | 2905002200             | 22R 5,08 CC  | 5X NK3 *         | 5X NK3 SOUCOR                     | 1       |
| R -102        | 2905001500             | 15R 5,08 CC  | 5X NK3 *         | 5X NK3 SOUCOR                     | 1       |
| R -103        | 2210021200             | 1K2          | 5X N4 *          | 5X N4 SOUCOR                      | 1       |
| R -104        | 2905012700             | 270R 5,08 CC | 5X NK3 *         | 5X NK3 SOUCOR                     | 1       |
| R -105        | 2905006800             | 68R 5,08 CC  | 5X NK3 *         | 5X NK3 SOUCOR                     | 1       |
| R -106        | 2210011500             | 150R         | 5X N4 *          | 5X N4 SOUCOR                      | 1       |
| R -107        | 2905016800             | 680R 5,08 CC | 5X NK3 *         | 5X NK3 SOUCOR                     | 1       |
| R -108        | 2905001800             | 18R 5,08 CC  | 5X NK3 *         | 5X NK3 SOUCOR                     | 1       |
| R -109        | 2905001000             | 10R 5,08 CC  | 5X NK3 *         | 5X NK3 SOUCOR                     | 1       |
| R -110        | 2905014700             | 470R 5,08 CC | 5X NK3 *         | 5X NK3 SOUCOR                     | 1       |
| R -111        | 2905001800             | 18R 5,08 CC  | 5X NK3 *         | 5X NK3 SOUCOR                     | 1       |
| R -112        | 2905014700             | 470R 5,08 CC | 5X NK3 *         | 5X NK3 SOUCOR                     | 1       |
| R -113        | 2905011500             | 150R 5,08 CC | 5X NK3 *         | 5X NK3 SOUCOR                     | 1       |
| R -114        | 2210011800             | 180R         | 5X N4 *          | 5X N4 SOUCOR                      | 1       |
| R -115        | 2900002200             | 22R          | 5X NK3 *         | 5X NK3 SOUCOR                     | 1       |
| R -116        | 2900005600             | 56R          | 5X NK3 *         | 5X NK3 SOUCOR                     | 1       |
| R -117        | 2900005600             | 56R          | 5X NK3 *         | 5X NK3 SOUCOR                     | 1       |
| R -118        | 2200011800             | 180R         | 5X N4 *          | 5X N4 SOUCOR                      | 1       |
| R -119        | 2900005600             | 56R          | 5X NK3 *         | 5X NK3 SOUCOR                     | 1       |
| R -120        | 2900005600             | 56R          | 5X NK3 *         | 5X NK3 SOUCOR                     | 1       |
| R -121        | 2900002200             | 22R          | 5X NK3 *         | 5X NK3 SOUCOR                     | 1       |
| R -122        | 2400011800             | 180R         | 5X N5 *          | 5X N5 SOUCOR                      | 1       |
| R -123        | 2400004700             | 47R          | 5X N5 *          | 5X N5 SOUCOR                      | 1       |
| R -124        | 2210005100             | 51R          | 5X N4 *          | 5X N4 SOUCOR                      | 1       |
| R -125        | 2905016800             | 680R 5,08 CC | 5X NK3 *         | 5X NK3 SOUCOR                     | 1       |
| R -126        | 2210005100             | 51R          | 5X N4 *          | 5X N4 SOUCOR                      | 1       |
| R -127        | 2905004700             | 47R 5,08 CC  | 5X NK3 *         | 5X NK3 SOUCOR                     | 1       |
| R -128        | 2905016800             | 680R 5,08 CC | 5X NK3 *         | 5X NK3 SOUCOR                     | 1       |
| R -201        | 2905001000             | 10R 5,08 CC  | 5X NK3 *         | 5X NK3 SOUCOR                     | 1       |
| R -202        | 2905005600             | 56R 5,08 CC  | 5X NK3 *         | 5X NK3 SOUCOR                     | 1       |
| R -203        | 2905013300             | 330R 5,08 CC | 5X NK3 *         | 5X NK3 SOUCOR                     | 1       |
| R -204        | 2905015600             | 560R 5,08 CC | 5X NK3 *         | 5X NK3 SOUCOR                     | 1       |
| R -205        | 2905012700             | 270R 5,08 CC | 5X NK3 *         | 5X NK3 SOUCOR                     | 1       |
| R -206        | 2905015600             | 560R 5,08 CC | 5X NK3 *         | 5X NK3 SOUCOR                     | 1       |
| R -207        | 2905012700             | 270R 5,08 CC | 5X NK3 *         | 5X NK3 SOUCOR                     | 1       |
| R -208        | 2905002200             | 22R 5,08 CC  | 5X NK3 *         | 5X NK3 SOUCOR                     | 1       |
| R -209        | 2905002200             | 22R 5,08 CC  | 5X NK3 *         | 5X NK3 SOUCOR                     | 1       |
| R -210        | 2905021200             | 1K2 5,08 CC  | 5X NK3 *         | 5X NK3 SOUCOR                     | 1       |
| R -211        | 2905001500             | 15R 5,08 CC  | 5X NK3 *         | 5X NK3 SOUCOR                     | 1       |
| R -212        | 2905001500             | 15R 5,08 CC  | 5X NK3 *         | 5X NK3 SOUCOR                     | 1       |
| R -213        | 2905014700             | 470R 5,08 CC | 5X NK3 *         | 5X NK3 SOUCOR                     | 1       |
| R -214        | 2905014700             | 470R 5,08 CC | 5X NK3 *         | 5X NK3 SOUCOR                     | 1       |
| R -215        | 2905002200             | 22R 5,08 CC  | 5X NK3 *         | 5X NK3 SOUCOR                     | 1       |
| R -216        | 2905021200             | 1K2 5,08 CC  | 5X NK3 *         | 5X NK3 SOUCOR                     | 1       |
| R -217        | 2905001500             | 15R 5,08 CC  | 5X NK3 *         | 5X NK3 SOUCOR                     | 1       |
| R -218        | 2905011000             | 100R 5,08 CC | 5X NK3 *         | 5X NK3 SOUCOR                     | 1       |
| R -219        | 2210015600             | 560R         | 5X N4 *          | 5X N4 SOUCOR                      | 1       |

| REPERE INDEXE | REF. ADRET PART NUMBER | DESCRIPTION     | PART DESCRIPTION         | FOURNISSEUR/PLAN SUPPLIER/DRAWING | QTE QTY |
|---------------|------------------------|-----------------|--------------------------|-----------------------------------|---------|
| R -220        | 2905002200             | 22R 5,08 CC     | 5X NK3 * 22R 5,08 CC     | 5X NK3 SOUCOR                     | 1       |
| R -221        | 2905015600             | 560R 5,08 CC    | 5X NK3 * 560R 5,08 CC    | 5X NK3 SOUCOR                     | 1       |
| R -222        | 2905012700             | 270R 5,08 CC    | 5X NK3 * 270R 5,08 CC    | 5X NK3 SOUCOR                     | 1       |
| R -223        | 2905001500             | 15R 5,08 CC     | 5X NK3 * 15R 5,08 CC     | 5X NK3 SOUCOR                     | 1       |
| R -224        | 2210021000             | 1K0             | 5X N4 * 1K0              | 5X N4 SOUCOR                      | 1       |
| R -225        | 2905011000             | 100R 5,08 CC    | 5X NK3 * 100R 5,08 CC    | 5X NK3 SOUCOR                     | 1       |
| R -226        | 2905002200             | 22R 5,08 CC     | 5X NK3 * 22R 5,08 CC     | 5X NK3 SOUCOR                     | 1       |
| R -227        | 2210014700             | 470R            | 5X N4 * 470R             | 5X N4 SOUCOR                      | 1       |
| R -228        | 2905002200             | 22R 5,08 CC     | 5X NK3 * 22R 5,08 CC     | 5X NK3 SOUCOR                     | 1       |
| R -229        | 2905012200             | 220R 5,08 CC    | 5X NK3 * 220R 5,08 CC    | 5X NK3 SOUCOR                     | 1       |
| R -230        | 2905002200             | 22R 5,08 CC     | 5X NK3 * 22R 5,08 CC     | 5X NK3 SOUCOR                     | 1       |
| R -301        | 2905016800             | 680R 5,08 CC    | 5X NK3 * 680R 5,08 CC    | 5X NK3 SOUCOR                     | 1       |
| R -302        | 2210005100             | 51R             | 5X N4 * 51R              | 5X N4 SOUCOR                      | 1       |
| R -303        | 2905011000             | 100R 5,08 CC    | 5X NK3 * 100R 5,08 CC    | 5X NK3 SOUCOR                     | 1       |
| R -304        | 2905011000             | 100R 5,08 CC    | 5X NK3 * 100R 5,08 CC    | 5X NK3 SOUCOR                     | 1       |
| R -305        | 2905021000             | 1K 5,08 CC      | 5X NK3 * 1K 5,08 CC      | 5X NK3 SOUCOR                     | 1       |
| R -306        | 2905003900             | 39R 5,08 CC     | 5X NK3 * 39R 5,08 CC     | 5X NK3 SOUCOR                     | 1       |
| R -307        | 2905003900             | 39R 5,08 CC     | 5X NK3 * 39R 5,08 CC     | 5X NK3 SOUCOR                     | 1       |
| R -308        | 2905025600             | 5K6 5,08 CC     | 5X NK3 * 5K6 5,08 CC     | 5X NK3 SOUCOR                     | 1       |
| R -309        | 2905025600             | 5K6 5,08 CC     | 5X NK3 * 5K6 5,08 CC     | 5X NK3 SOUCOR                     | 1       |
| R -310        | 2905021500             | 1K5 5,08 CC     | 5X NK3 * 1K5 5,08 CC     | 5X NK3 SOUCOR                     | 1       |
| R -401        | 2210023300             | 3K3             | 5X N4 * 3K3              | 5X N4 SOUCOR                      | 1       |
| R -402        | 2500197600             | 9K76 * 1X 0,3 U | SMA207 * 9K76 * 1X 0,3 U | SMA207 DRALORIE                   | 1       |
| R -403        | 2500214000             | 14K0 * 1X 0,3 U | SMA207 * 14K0 * 1X 0,3 U | SMA207 DRALORIE                   | 1       |
| R -404        | 2210041000             | 100K            | 5X N4 * 100K             | 5X N4 SOUCOR                      | 1       |
| R -405        | 2210023300             | 3K3             | 5X N4 * 3K3              | 5X N4 SOUCOR                      | 1       |
| R -406        | 2210001000             | 10R             | 5X N4 * 10R              | 5X N4 SOUCOR                      | 1       |
| R -407        | 2500110000             | 1K00 * 1X 0,3 U | SMA207 * 1K00 * 1X 0,3 U | SMA207 DRALORIE                   | 1       |
| R -408        | 2500110000             | 1K00 * 1X 0,3 U | SMA207 * 1K00 * 1X 0,3 U | SMA207 DRALORIE                   | 1       |
| R -409        | 2905001500             | 15R 5,08 CC     | 5X NK3 * 15R 5,08 CC     | 5X NK3 SOUCOR                     | 1       |
| R -410        | 2905001500             | 15R 5,08 CC     | 5X NK3 * 15R 5,08 CC     | 5X NK3 SOUCOR                     | 1       |
| R -411        | 2500110000             | 1K00 * 1X 0,3 U | SMA207 * 1K00 * 1X 0,3 U | SMA207 DRALORIE                   | 1       |
| R -412        | 2500286600             | 86K6 * 1X 0,3 U | SMA207 * 86K6 * 1X 0,3 U | SMA207 DRALORIE                   | 1       |
| R -413        | 2500310000             | 100K * 1X 0,3 U | SMA207 * 100K * 1X 0,3 U | SMA207 DRALORIE                   | 1       |
| R -414        | 2500286600             | 86K6 * 1X 0,3 U | SMA207 * 86K6 * 1X 0,3 U | SMA207 DRALORIE                   | 1       |
| R -415        | 2500286600             | 86K6 * 1X 0,3 U | SMA207 * 86K6 * 1X 0,3 U | SMA207 DRALORIE                   | 1       |
| R -416        | 2500110000             | 1K00 * 1X 0,3 U | SMA207 * 1K00 * 1X 0,3 U | SMA207 DRALORIE                   | 1       |
| R -417        | 2210035600             | 56K             | 5X N4 * 56K              | 5X N4 SOUCOR                      | 1       |
| R -418        | 2210035600             | 56K             | 5X N4 * 56K              | 5X N4 SOUCOR                      | 1       |
| R -419        | 2210041000             | 100K            | 5X N4 * 100K             | 5X N4 SOUCOR                      | 1       |
| R -420        | 2500286600             | 86K6 * 1X 0,3 U | SMA207 * 86K6 * 1X 0,3 U | SMA207 DRALORIE                   | 1       |
| R -421        | 2500310000             | 100K * 1X 0,3 U | SMA207 * 100K * 1X 0,3 U | SMA207 DRALORIE                   | 1       |
| R -422        | 2210041500             | 150K            | 5X N4 * 150K             | 5X N4 SOUCOR                      | 1       |
| R -423        | 2210036800             | 68K             | 5X N4 * 68K              | 5X N4 SOUCOR                      | 1       |
| R -424        | 2210031000             | 10K             | 5X N4 * 10K              | 5X N4 SOUCOR                      | 1       |
| R -425        | 2210001000             | 10R             | 5X N4 * 10R              | 5X N4 SOUCOR                      | 1       |
| R -426        | 2210021800             | 1K8             | 5X N4 * 1K8              | 5X N4 SOUCOR                      | 1       |
| R -427        | 2905008200             | 82R 5,08 CC     | 5X NK3 * 82R 5,08 CC     | 5X NK3 SOUCOR                     | 1       |
| R -428        | 2905004700             | 47R 5,08 CC     | 5X NK3 * 47R 5,08 CC     | 5X NK3 SOUCOR                     | 1       |
| R -429        | 2905001500             | 15R 5,08 CC     | 5X NK3 * 15R 5,08 CC     | 5X NK3 SOUCOR                     | 1       |
| R -430        | 2905008200             | 82R 5,08 CC     | 5X NK3 * 82R 5,08 CC     | 5X NK3 SOUCOR                     | 1       |
| R -431        | 2210011000             | 100R            | 5X N4 * 100R             | 5X N4 SOUCOR                      | 1       |
| R -432        | 2905002200             | 22R 5,08 CC     | 5X NK3 * 22R 5,08 CC     | 5X NK3 SOUCOR                     | 1       |
| R -433        | 2500275000             | 75K0 * 1X 0,3 U | SMA207 * 75K0 * 1X 0,3 U | SMA207 DRALORIE                   | 1       |
| R -434        | 2210022700             | 2K7             | 5X N4 * 2K7              | 5X N4 SOUCOR                      | 1       |
| R -435        | 2905008200             | 82R 5,08 CC     | 5X NK3 * 82R 5,08 CC     | 5X NK3 SOUCOR                     | 1       |
| R -436        | 2905002200             | 22R 5,08 CC     | 5X NK3 * 22R 5,08 CC     | 5X NK3 SOUCOR                     | 1       |
| R -437        | 2500102000             | 102R * 1X 0,3 U | SMA207 * 102R * 1X 0,3 U | SMA207 DRALORIE                   | 1       |
| R -438        | 2210024700             | 4K7             | 5X N4 * 4K7              | 5X N4 SOUCOR                      | 1       |
| R -439        | 2905003900             | 39R 5,08 CC     | 5X NK3 * 39R 5,08 CC     | 5X NK3 SOUCOR                     | 1       |
| R -440        | 2905003900             | 39R 5,08 CC     | 5X NK3 * 39R 5,08 CC     | 5X NK3 SOUCOR                     | 1       |
| R -441        | 2905008200             | 82R 5,08 CC     | 5X NK3 * 82R 5,08 CC     | 5X NK3 SOUCOR                     | 1       |
| R -442        | 2210021800             | 1K8             | 5X N4 * 1K8              | 5X N4 SOUCOR                      | 1       |
| R -443        | 2905008200             | 82R 5,08 CC     | 5X NK3 * 82R 5,08 CC     | 5X NK3 SOUCOR                     | 1       |
| R -444        | 2210011000             | 100R            | 5X N4 * 100R             | 5X N4 SOUCOR                      | 1       |
| R -445        | 2210011000             | 100R            | 5X N4 * 100R             | 5X N4 SOUCOR                      | 1       |
| R -446        | 2210042200             | 220K            | 5X N4 * 220K             | 5X N4 SOUCOR                      | 1       |
| R -447        | 2210041000             | 100K            | 5X N4 * 100K             | 5X N4 SOUCOR                      | 1       |
| R -448        | 2905011000             | 100R 5,08 CC    | 5X NK3 * 100R 5,08 CC    | 5X NK3 SOUCOR                     | 1       |
| R -449        | 2500060400             | 604R * 1X 0,3 U | SMA207 * 604R * 1X 0,3 U | SMA207 DRALORIE                   | 1       |
| R -450        | 2905014700             | 470R 5,08 CC    | 5X NK3 * 470R 5,08 CC    | 5X NK3 SOUCOR                     | 1       |
| R -451        | 2500978700             | 78R7 * 1X 0,3 U | SMA207 * 78R7 * 1X 0,3 U | SMA207 DRALORIE                   | 1       |
| R -452        | 2905016800             | 680R 5,08 CC    | 5X NK3 * 680R 5,08 CC    | 5X NK3 SOUCOR                     | 1       |
| R -453        | 2905005100             | 51R 5,08 CC     | 5X NK3 * 51R 5,08 CC     | 5X NK3 SOUCOR                     | 1       |
| R -454        | 2210001000             | 10R             | 5X N4 * 10R              | 5X N4 SOUCOR                      | 1       |
| R -455        | 2500236500             | 36K5 * 1X 0,3 U | SMA207 * 36K5 * 1X 0,3 U | SMA207 DRALORIE                   | 1       |
| R -456        | 2500275000             | 75K0 * 1X 0,3 U | SMA207 * 75K0 * 1X 0,3 U | SMA207 DRALORIE                   | 1       |
| R -457        | 2500236500             | 36K5 * 1X 0,3 U | SMA207 * 36K5 * 1X 0,3 U | SMA207 DRALORIE                   | 1       |
| R -458        | 2210022700             | 2K7             | 5X N4 * 2K7              | 5X N4 SOUCOR                      | 1       |

| REPERE INDEXE | REF. ADRET PART NUMBER | DESCRIPTION                    | PART DESCRIPTION                | FOURNISSEUR/PLAN SUPPLIER/DRAWING | QTE QTY |
|---------------|------------------------|--------------------------------|---------------------------------|-----------------------------------|---------|
| R -459        | 2500060400             | 604R * 1X 0,3 U                | SMA207 * 604R * 1X 0,3 U        | SMA207 DRALORIC                   | 1       |
| R -460        | 2905014700             | 470R 5,08 CC                   | 5X NK3 * 470R 5,08 CC           | 5X NK3 SOUCOR                     | 1       |
| R -461        | 2905003300             | 33R 5,08 CC                    | 5X NK3 * 33R 5,08 CC            | 5X NK3 SOUCOR                     | 1       |
| R -462        | 2500071500             | 715R * 1X 0,3 U                | SMA207 * 715R * 1X 0,3 U        | SMA207 DRALORIC                   | 1       |
| R -463        | 2500071500             | 715R * 1X 0,3 U                | SMA207 * 715R * 1X 0,3 U        | SMA207 DRALORIC                   | 1       |
| R -464        | 2905003300             | 33R 5,08 CC                    | 5X NK3 * 33R 5,08 CC            | 5X NK3 SOUCOR                     | 1       |
| R -465        | 2905014700             | 470R 5,08 CC                   | 5X NK3 * 470R 5,08 CC           | 5X NK3 SOUCOR                     | 1       |
| R -466        | 2905014700             | 470R 5,08 CC                   | 5X NK3 * 470R 5,08 CC           | 5X NK3 SOUCOR                     | 1       |
| R -467        | 2500010000             | 100R * 1X 0,3 U                | SMA207 * 100R * 1X 0,3 U        | SMA207 DRALORIC                   | 1       |
| R -468        | 2500210000             | 10K0 * 1X 0,3 U                | SMA207 * 10K0 * 1X 0,3 U        | SMA207 DRALORIC                   | 1       |
| R -469        | 2500126100             | 2K61 * 1X 0,3 U                | SMA207 * 2K61 * 1X 0,3 U        | SMA207 DRALORIC                   | 1       |
| R -470        | 2905013300             | 330R 5,08 CC                   | 5X NK3 * 330R 5,08 CC           | 5X NK3 SOUCOR                     | 1       |
| R -471        | 2905001500             | 15R 5,08 CC                    | 5X NK3 * 15R 5,08 CC            | 5X NK3 SOUCOR                     | 1       |
| R -472        | 2905004700             | 47R 5,08 CC                    | 5X NK3 * 47R 5,08 CC            | 5X NK3 SOUCOR                     | 1       |
| R -473        | 2905011500             | 150R 5,08 CC                   | 5X NK3 * 150R 5,08 CC           | 5X NK3 SOUCOR                     | 1       |
| R -474        | 2210021800             | 1K8                            | 5X N4 * 1K8                     | 5X N4 SOUCOR                      | 1       |
| R -475        | 2210021800             | 1K8                            | 5X N4 * 1K8                     | 5X N4 SOUCOR                      | 1       |
| R -476        | 2905011500             | 150R 5,08 CC                   | 5X NK3 * 150R 5,08 CC           | 5X NK3 SOUCOR                     | 1       |
| R -477        | 2500010000             | 100R * 1X 0,3 U                | SMA207 * 100R * 1X 0,3 U        | SMA207 DRALORIC                   | 1       |
| R -478        | 2500210000             | 10K0 * 1X 0,3 U                | SMA207 * 10K0 * 1X 0,3 U        | SMA207 DRALORIC                   | 1       |
| R -479        | 2500126100             | 2K61 * 1X 0,3 U                | SMA207 * 2K61 * 1X 0,3 U        | SMA207 DRALORIC                   | 1       |
| R -480        | 2905013300             | 330R 5,08 CC                   | 5X NK3 * 330R 5,08 CC           | 5X NK3 SOUCOR                     | 1       |
| R -481        | 2905002200             | 22R 5,08 CC                    | 5X NK3 * 22R 5,08 CC            | 5X NK3 SOUCOR                     | 1       |
| R -482        | 2500922100             | 22R1 * 1X 0,3 U                | SMA207 * 22R1 * 1X 0,3 U        | SMA207 DRALORIC                   | 1       |
| R -483        | 2905001000             | 10R 5,08 CC                    | 5X NK3 * 10R 5,08 CC            | 5X NK3 SOUCOR                     | 1       |
| R -484        | 2905001000             | 10R 5,08 CC                    | 5X NK3 * 10R 5,08 CC            | 5X NK3 SOUCOR                     | 1       |
| R -485        | 2500030900             | 309R * 1X 0,3 U                | SMA207 * 309R * 1X 0,3 U        | SMA207 DRALORIC                   | 1       |
| R -486        | 2905015600             | 560R 5,08 CC                   | 5X NK3 * 560R 5,08 CC           | 5X NK3 SOUCOR                     | 1       |
| R -487        | 2905015600             | 560R 5,08 CC                   | 5X NK3 * 560R 5,08 CC           | 5X NK3 SOUCOR                     | 1       |
| R -488        | 2500045300             | 453R * 1X 0,3 U                | SMA207 * 453R * 1X 0,3 U        | SMA207 DRALORIC                   | 1       |
| R -489        | 2905001000             | 10R 5,08 CC                    | 5X NK3 * 10R 5,08 CC            | 5X NK3 SOUCOR                     | 1       |
| R -490        | 2900008200             | 82R                            | 5X NK3 * 82R                    | 5X NK3 SOUCOR                     | 1       |
| R -491        | 2900008200             | 82R                            | 5X NK3 * 82R                    | 5X NK3 SOUCOR                     | 1       |
| R -492        | 2905001000             | 10R 5,08 CC                    | 5X NK3 * 10R 5,08 CC            | 5X NK3 SOUCOR                     | 1       |
| R -493        | 2905041000             | 100K 5,08 CC                   | 5X NK3 * 100K 5,08 CC           | 5X NK3 SOUCOR                     | 1       |
| R -494        | 2500922100             | 22R1 * 1X 0,3 U                | SMA207 * 22R1 * 1X 0,3 U        | SMA207 DRALORIC                   | 1       |
| R -495        | 2500293100             | 93K1 * 1X 0,3 U                | SMA207 * 93K1 * 1X 0,3 U        | SMA207 DRALORIC                   | 1       |
| R -496        | 2500293100             | 93K1 * 1X 0,3 U                | SMA207 * 93K1 * 1X 0,3 U        | SMA207 DRALORIC                   | 1       |
| R -497        | 2905001000             | 10R 5,08 CC                    | 5X NK3 * 10R 5,08 CC            | 5X NK3 SOUCOR                     | 1       |
| R -498        | 2905002200             | 22R 5,08 CC                    | 5X NK3 * 22R 5,08 CC            | 5X NK3 SOUCOR                     | 1       |
| R -499        | 2905008200             | 82R 5,08 CC                    | 5X NK3 * 82R 5,08 CC            | 5X NK3 SOUCOR                     | 1       |
| SN -001       | 4150740000             | SN 74 LS 00 N 3                | SN 74 LS 00 N 3                 | TEXAS                             | 1       |
| SN -002       | 4180747400             | SN 74 F 74 N                   | SN 74 F 74 N                    | RTE                               | 1       |
| SN -003       | 4200470000             | LM 317 LZ REGUL POSITIVE T092  | LM 317 LZ POSITIVE REGUL T092   | MOTOROLA                          | 1       |
| SN -004       | 0276050000             | 00 ME2 MODULATEUR ADRET... ME2 | 00 ME2 MODULATOR ADRET... ME2   | A93                               | 1       |
| SN -101       | 0275530000             | 01 ME1 MODULATEUR ADRET... ME1 | 01 ME1 MODULATOR (ADRET)... ME1 | B93                               | 1       |
| SN -301       | 4200320000             | LF 356 N B+                    | LF 356 N B+                     | NS                                | 1       |
| SN -401       | 4200360000             | TL 072 CP                      | TL 072 CP                       | TEXAS                             | 1       |
| SN -402       | 4200360000             | TL 072 CP                      | TL 072 CP                       | TEXAS                             | 1       |
| SN -403       | 4200320000             | LF 356 N B+                    | LF 356 N B+                     | NS                                | 1       |
| SN -404       | 4160405300             | C-MOS 4053                     | C-MOS 4053                      | RTC                               | 1       |
| SN -405       | 4200320000             | LF 356 N B+                    | LF 356 N B+                     | NS                                | 1       |
| T -001        | 0219620000             | 01 BOUTON H20 3X2 SPIRES 730A  | 01 BUTTON H20 3X2 TURNS 730A    | Z94 BH20.....5                    | 1       |
| T -002        | 0213770000             | 01 F108 30 SPIRES              | 01 F108 30 TURNS                | Z94 F108.....30                   | 1       |
| T -201        | 0219590000             | 01 BOUTON H20 3X1 SPIRES       | 01 BUTTON H20 3X1 TURNS         | Z94 BH20.....4                    | 1       |
| Z0            | 0219630000             | 00 CAGE "L139" TEFLON... 730A  | 00 TEFLON "L139" ENCLOSURE 730A | ADRET                             | 2       |
| Z1            | 1100530000             | FIL.NU.ETAME.6/10              | TINNED BARE THREAD 6/10         | ELECTROFIL                        | 0       |
| Z1            | 1100540000             | FIL.NU.ETAME.8/10              | TINNED BARE THREAD 8/10         | ELECTROFIL                        | 0       |
| Z1            | 1100590000             | COAX RIGIDE 50 OHM BA-50-085   | RIGID COAX 50 OHM BA-50-085     | SEALECTRO                         | 0       |
| Z1            | 1100600000             | FIL CUIVRE EMAIL SOUD. 60/100E | THREAD 60/100E                  | ELECTROFIL                        | 0       |
| Z1            | 1100810000             | TEFLON ORANGE REF ET JE 32 01  | ORANGE TEFLON REF ET JE 32 01   | FILECA                            | 0       |
| Z1            | 1100820000             | TEFLON VERT REF ET JE 32 01    | GREEN TEFLON REF ET JE 32 01    | FILECA                            | 0       |
| Z1            | 1275201100             | CI UHF 730A                    | UHF PC 730A                     | M997520.....TM                    | 1       |
| Z1            | 1400109900             | POINT TEST                     | TEST POINT                      | C940850                           | 1       |
| Z1            | 1400225500             | EMBASE COAXIALE "TEST" TR 540  | TEST POINT HF TR 540            | TRELEC(A932998)                   | 7       |
| Z4            | 4900310000             | 16 SUPPORT C.I. OIL J23-5016   | 16 CONNECTOR P.C. OIL J23-5016  | JERMYN                            | 7       |
| Z5            | 9400050000             | CALE ISOLANTE NEOSID POUR CE   | NEOSID INSULATING QUIN FOR PC   | -940008                           | 1       |
| Z5            | 5500010000             | H20(4,1X2X3)                   | H20(4,1X2X3)                    | LCC-COFELEC                       | 1       |
| Z5            | 5500170000             | TORE 4B1 3,7X1,2X3,5           | TORE 4B1 3,7X1,2X3,5            | RTC                               | 18      |
| Z6            | 6103030800             | TCHC M3X 8 U DIN912-5,6 INOX   | TCHC M3X 8 U DIN912-5,6 INOX    | BD                                | 35      |
| Z6            | 6103031600             | TCHC M3X16 U DIN912-5,6 INOX   | TCHC M3X16 U DIN912-5,6 INOX    | BD                                | 35      |
| Z6            | 6108020600             | ACF 2X6 BOMBEE TAPITE CRUCIF   | ACF 2X6 BOMBEE TAPITE CRUCIF    | GAUBIN DAUDE                      | 6       |
| Z6            | 6130110500             | LAD 2,5X 5 CYLINDRIQUE FENDUE  | LAD 2.5 X 5 CYLINDER SLOT       | SAGIC                             | 2       |
| Z6            | 6143031200             | TCHC M3X12 U DIN912-5,6 INOX   | TCHC M3X12 U DIN912-5,6 INOX    | BD                                | 23      |
| Z6            | 6900480000             | RHODORSIL SILICONES PATE 340   | RHODORSIL SILICONES PATE 340    | RHONE POULENC                     | 0       |
| Z8            | 8007632600             | VIS DE REGLAGE FILTRE 7200A    | FILTER ADJUSTMENT SCREW 7200A   | C942820.....                      | 2       |
| Z8            | 8008111000             | COUVERCLE UHF 730A             | UHF COVER 730A                  | B93                               | 1       |
| Z8            | 8008111200             | FOND UHF 730A                  | UHF BACKGROUND 730A             | B93                               | 1       |
| Z8            | 8008120200             | MODULE UHF 730A                | UHF MODULE 730A                 | D91                               | 1       |

42

12.86

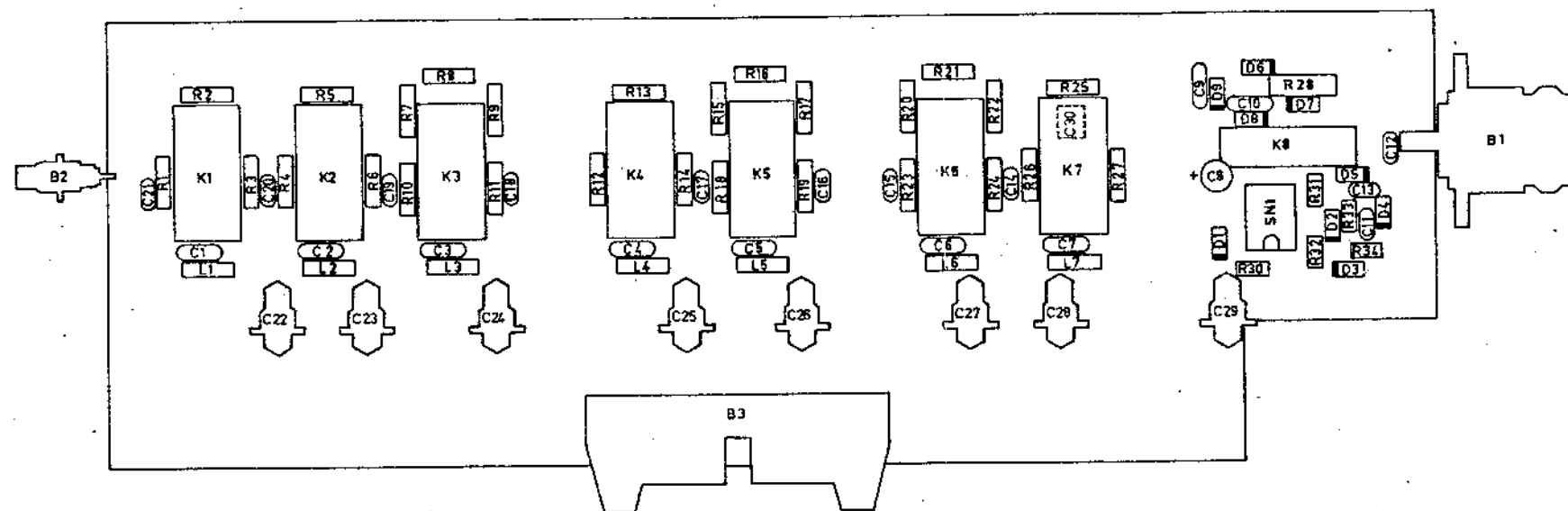
\*\*\*\*\*  
 \*0275200100 05 MODULE UHF (22,9DBM).. 730A \* 05 UHF MODULE (22,9DBM).. 730A H91.....C98D97 \*  
 \*\*\*\*\*

PAGE 31

| REPERE INDEXE | REF. ADRET PART NUMBER | DESCRIPTION               | PART DESCRIPTION                 | FOURNISSEUR/PLAN SUPPLIER/DRAWING | QTE QTY |
|---------------|------------------------|---------------------------|----------------------------------|-----------------------------------|---------|
| Z8            | 8008120300             | PLATINE UHF .....         | 730A * UHF MOUNTING .....        | 730A 893.....                     | 1       |
| Z8            | 8008120700             | CORPS DE FILTRE 2 MODULES | 730A * FILTER BODY 2 MODULES ... | 730A 894.....                     | 1       |
| Z8            | 8008122000             | RADIATEUR TRANSISTOR UHF  | 730A * UHF TRANSISTOR DISSIPATOR | 730A A94.....                     | 2       |





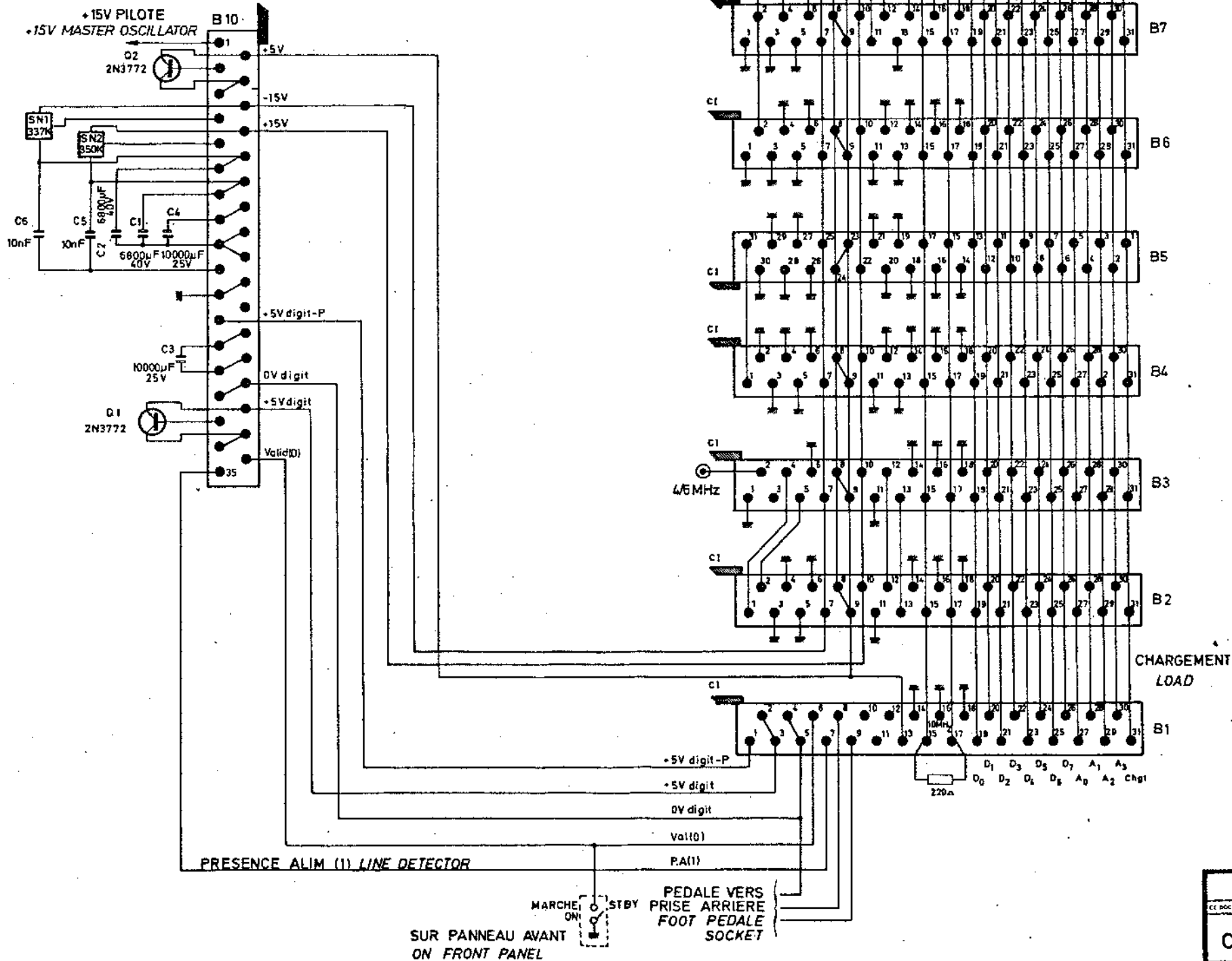


|   |       |   |                               |
|---|-------|---|-------------------------------|
| ADRET ELECTRONIQUE  |       | <small>         100% QUALITY CONTROL<br/>         100% INSPECTION<br/>         100% TESTING<br/>         100% DELIVERY       </small> |                               |
| <small>CE DOCUMENT NE PEUT ÊTRE COMMUNIQUÉ NI REPRODUIT SANS AUTORISATION</small> |       |   |                               |
| ATTENUATEUR   |       | ATTENUATOR ASSEMBLY   |                               |
| DATE 19 08, 85  | ETUDE | DESIGN  | A 9 7 0 2 7 5 7 1 0 1 0 0 1/2 |

| REPERE INDEXE | REF. ADRET PART NUMBER | DESCRIPTION | PART DESCRIPTION               | FOURNISSEUR/PLAN SUPPLIER/DRAWING | QTE QTY       |   |
|---------------|------------------------|-------------|--------------------------------|-----------------------------------|---------------|---|
| B             | -001                   | 1400221100  | N EMBASE FEMEL PLATINE R161404 | N FEMALE SOCKET ..... R161404     | RADIALL       | 1 |
| B             | -002                   | 1400215000  | KM09 EMBASE MALE FIXAT ARRIERE | KM09 REAR ANCHOR .....            | RADIALL       | 1 |
| B             | -003                   | 1420026700  | 20 TRANSITION COUDE 3428-5202  | 20 BENDED LINKAGE .. 3428-5202    | 3M            | 1 |
| B             | -001                   | 3150031000  | 10NF 5,08 63V GOX 767 14       | 10NF 5,08 63V GOX 767 14          | LCC           | 1 |
| B             | -002                   | 3150031000  | 10NF 5,08 63V GOX 767 14       | 10NF 5,08 63V GOX 767 14          | LCC           | 1 |
| B             | -003                   | 3150031000  | 10NF 5,08 63V GOX 767 14       | 10NF 5,08 63V GOX 767 14          | LCC           | 1 |
| B             | -004                   | 3150031000  | 10NF 5,08 63V GOX 767 14       | 10NF 5,08 63V GOX 767 14          | LCC           | 1 |
| B             | -005                   | 3150031000  | 10NF 5,08 63V GOX 767 14       | 10NF 5,08 63V GOX 767 14          | LCC           | 1 |
| B             | -006                   | 3150031000  | 10NF 5,08 63V GOX 767 14       | 10NF 5,08 63V GOX 767 14          | LCC           | 1 |
| B             | -007                   | 3150031000  | 10NF 5,08 63V GOX 767 14       | 10NF 5,08 63V GOX 767 14          | LCC           | 1 |
| B             | -008                   | 3700100000  | 4,7MMF/35V 5,08 .. STAND L TAG | 4,7MMF/35V 5,08 .. STAND L TAG    | STC           | 1 |
| B             | -009                   | 3150042200  | 0,22MMF 5 50V20% 3439050 E224M | 0,22MMF 5 50V20% 3439050 E224M    | AUX           | 1 |
| B             | -010                   | 3150042200  | 0,22MMF 5 50V20% 3439050 E224M | 0,22MMF 5 50V20% 3439050 E224M    | AUX           | 1 |
| B             | -011                   | 3120021000  | 1 NF 2,5 2222 630 51 102       | 1 NF 2,5 2222 630 51 102          | COGECO        | 1 |
| B             | -012                   | 3120091000  | 1 PF 2,5 T' 2222 680 03 108    | 1 PF 2,5 T' 2222 680 03 108       | COGECO        | 1 |
| B             | -013                   | 3120003300  | 33PF 2,5 2222 680 10 339       | 33PF 2,5 2222 680 10 339          | COGECO        | 1 |
| B             | -014                   | 3120093300  | 3,3PF 2,5 Z" 2222 680 09 338   | 3,3PF 2,5 Z" 2222 680 09 338      | COGECO        | 1 |
| B             | -015                   | 3120093300  | 3,3PF 2,5 Z" 2222 680 09 338   | 3,3PF 2,5 Z" 2222 680 09 338      | COGECO        | 1 |
| B             | -016                   | 3120092700  | 2,7PF 2,5 Y" 2222 680 03 278   | 2,7PF 2,5 Y" 2222 680 03 278      | COGECO        | 1 |
| B             | -017                   | 3120094700  | 4,7PF 2,5 2222 680 09 478      | 4,7PF 2,5 2222 680 09 478         | COGECO        | 1 |
| B             | -018                   | 3120095600  | 5,6PF 2,5 C' 2222 680 09 568   | 5,6PF 2,5 C' 2222 680 09 568      | COGECO        | 1 |
| B             | -019                   | 3120094700  | 4,7PF 2,5 2222 680 09 478      | 4,7PF 2,5 2222 680 09 478         | COGECO        | 1 |
| B             | -020                   | 3120095600  | 5,6PF 2,5 C' 2222 680 09 568   | 5,6PF 2,5 C' 2222 680 09 568      | COGECO        | 1 |
| B             | -021                   | 3120093300  | 3,3PF 2,5 Z" 2222 680 09 338   | 3,3PF 2,5 Z" 2222 680 09 338      | COGECO        | 1 |
| B             | -022                   | 3100610000  | FILTRE TRAVER ECRU B85313AB7   | NUT PINCH FILTER ... B85313AB7    | SIEMENS       | 1 |
| B             | -023                   | 3100610000  | FILTRE TRAVER ECRU B85313AB7   | NUT PINCH FILTER ... B85313AB7    | SIEMENS       | 1 |
| B             | -024                   | 3100610000  | FILTRE TRAVER ECRU B85313AB7   | NUT PINCH FILTER ... B85313AB7    | SIEMENS       | 1 |
| B             | -025                   | 3100610000  | FILTRE TRAVER ECRU B85313AB7   | NUT PINCH FILTER ... B85313AB7    | SIEMENS       | 1 |
| B             | -026                   | 3100610000  | FILTRE TRAVER ECRU B85313AB7   | NUT PINCH FILTER ... B85313AB7    | SIEMENS       | 1 |
| B             | -027                   | 3100610000  | FILTRE TRAVER ECRU B85313AB7   | NUT PINCH FILTER ... B85313AB7    | SIEMENS       | 1 |
| B             | -028                   | 3100610000  | FILTRE TRAVER ECRU B85313AB7   | NUT PINCH FILTER ... B85313AB7    | SIEMENS       | 1 |
| B             | -029                   | 3100610000  | FILTRE TRAVER ECRU B85313AB7   | NUT PINCH FILTER ... B85313AB7    | SIEMENS       | 1 |
| B             | -030                   | 3120092200  | 2,2PF 2,5 X' 2222 680 03 228   | 2,2PF 2,5 X' 2222 680 03 228      | COGECO        | 1 |
| D             | -001                   | 4500020000  | IN4151                         | IN4151                            | FU'ITT        | 1 |
| D             | -002                   | 4500540000  | IN6263 0035 (EX ESM247&246)    | IN6263 (SUBSTIT. ESM247&246)      | RTC           | 1 |
| D             | -003                   | 4500540000  | IN6263 0035 (EX ESM247&246)    | IN6263 (SUBSTIT. ESM247&246)      | RTC           | 1 |
| D             | -004                   | 4500540000  | IN6263 0035 (EX ESM247&246)    | IN6263 (SUBSTIT. ESM247&246)      | RTC           | 1 |
| D             | -005                   | 4500540000  | IN6263 0035 (EX ESM247&246)    | IN6263 (SUBSTIT. ESM247&246)      | RTC           | 1 |
| D             | -006                   | 4600080000  | ZPD6,8                         | ZPD6,8                            | ITT           | 1 |
| D             | -007                   | 4600080000  | ZPD6,8                         | ZPD6,8                            | ITT           | 1 |
| D             | -008                   | 4500020000  | IN4151                         | IN4151                            | FU'ITT        | 1 |
| D             | -009                   | 4500020000  | IN4151                         | IN4151                            | FU'ITT        | 1 |
| D             | -001                   | 1600090000  | RELAYS 2 INV. G2V-234P-NT.120C | RELAYS 2 REV. G2V-234P-NT.120C    | OMRON         | 1 |
| K             | -002                   | 1600090000  | RELAYS 2 INV. G2V-234P-NT.120C | RELAYS 2 REV. G2V-234P-NT.120C    | OMRON         | 1 |
| K             | -003                   | 1600090000  | RELAYS 2 INV. G2V-234P-NT.120C | RELAYS 2 REV. G2V-234P-NT.120C    | OMRON         | 1 |
| K             | -004                   | 1600090000  | RELAYS 2 INV. G2V-234P-NT.120C | RELAYS 2 REV. G2V-234P-NT.120C    | OMRON         | 1 |
| K             | -005                   | 1600090000  | RELAYS 2 INV. G2V-234P-NT.120C | RELAYS 2 REV. G2V-234P-NT.120C    | OMRON         | 1 |
| K             | -006                   | 1600090000  | RELAYS 2 INV. G2V-234P-NT.120C | RELAYS 2 REV. G2V-234P-NT.120C    | OMRON         | 1 |
| K             | -007                   | 1600090000  | RELAYS 2 INV. G2V-234P-NT.120C | RELAYS 2 REV. G2V-234P-NT.120C    | OMRON         | 1 |
| K             | -008                   | 1600120000  | RELAYS/VIDE ..... REF R6882-2  | RELAYS/EMPTY ..... REF R6882-2    | ELECTROL      | 1 |
| L             | -001                   | 5300500000  | 220MMH ORE 53878 DEL 1025-76   | 220MMH ORE 53878 DEL 1025-76      | OREGA DELEVAN | 1 |
| L             | -002                   | 5300500000  | 220MMH ORE 53878 DEL 1025-76   | 220MMH ORE 53878 DEL 1025-76      | OREGA DELEVAN | 1 |
| L             | -003                   | 5300500000  | 220MMH ORE 53878 DEL 1025-76   | 220MMH ORE 53878 DEL 1025-76      | OREGA DELEVAN | 1 |
| L             | -004                   | 5300500000  | 220MMH ORE 53878 DEL 1025-76   | 220MMH ORE 53878 DEL 1025-76      | OREGA DELEVAN | 1 |
| L             | -005                   | 5300500000  | 220MMH ORE 53878 DEL 1025-76   | 220MMH ORE 53878 DEL 1025-76      | OREGA DELEVAN | 1 |
| L             | -006                   | 5300500000  | 220MMH ORE 53878 DEL 1025-76   | 220MMH ORE 53878 DEL 1025-76      | OREGA DELEVAN | 1 |
| L             | -007                   | 5300500000  | 220MMH ORE 53878 DEL 1025-76   | 220MMH ORE 53878 DEL 1025-76      | OREGA DELEVAN | 1 |
| R             | -001                   | 2500022100  | 221R * 1% 0,3 W SMA207         | 221R * 1% 0,3 W SMA207            | DRALORIC      | 1 |
| R             | -002                   | 2500923700  | 23R7 * 1% 0,3 W SMA207         | 23R7 * 1% 0,3 W SMA207            | DRALORIC      | 1 |
| R             | -003                   | 2500022100  | 221R * 1% 0,3 W SMA207         | 221R * 1% 0,3 W SMA207            | DRALORIC      | 1 |
| R             | -004                   | 2500011500  | 115R * 1% 0,3 W SMA207         | 115R * 1% 0,3 W SMA207            | DRALORIC      | 1 |
| R             | -005                   | 2500952300  | 52R3 * 1% 0,3 W SMA207         | 52R3 * 1% 0,3 W SMA207            | DRALORIC      | 1 |
| R             | -006                   | 2500011500  | 115R * 1% 0,3 W SMA207         | 115R * 1% 0,3 W SMA207            | DRALORIC      | 1 |
| R             | -007                   | 2500018200  | 182R * 1% 0,3 W SMA207         | 182R * 1% 0,3 W SMA207            | DRALORIC      | 1 |
| R             | -008                   | 2500063400  | 634R * 1% 0,3 W SMA207         | 634R * 1% 0,3 W SMA207            | DRALORIC      | 1 |
| R             | -009                   | 2500018200  | 182R * 1% 0,3 W SMA207         | 182R * 1% 0,3 W SMA207            | DRALORIC      | 1 |
| R             | -010                   | 2500952300  | 52R3 * 1% 0,3 W SMA207         | 52R3 * 1% 0,3 W SMA207            | DRALORIC      | 1 |
| R             | -011                   | 2500952300  | 52R3 * 1% 0,3 W SMA207         | 52R3 * 1% 0,3 W SMA207            | DRALORIC      | 1 |
| R             | -012                   | 2500968100  | 68R1 * 1% 0,3 W SMA207         | 68R1 * 1% 0,3 W SMA207            | DRALORIC      | 1 |
| R             | -013                   | 2500015000  | 150R * 1% 0,3 W SMA207         | 150R * 1% 0,3 W SMA207            | DRALORIC      | 1 |
| R             | -014                   | 2500968100  | 68R1 * 1% 0,3 W SMA207         | 68R1 * 1% 0,3 W SMA207            | DRALORIC      | 1 |
| R             | -015                   | 2500018200  | 182R * 1% 0,3 W SMA207         | 182R * 1% 0,3 W SMA207            | DRALORIC      | 1 |
| R             | -016                   | 2500063400  | 634R * 1% 0,3 W SMA207         | 634R * 1% 0,3 W SMA207            | DRALORIC      | 1 |
| R             | -017                   | 2500018200  | 182R * 1% 0,3 W SMA207         | 182R * 1% 0,3 W SMA207            | DRALORIC      | 1 |
| R             | -018                   | 2500952300  | 52R3 * 1% 0,3 W SMA207         | 52R3 * 1% 0,3 W SMA207            | DRALORIC      | 1 |
| R             | -019                   | 2500952300  | 52R3 * 1% 0,3 W SMA207         | 52R3 * 1% 0,3 W SMA207            | DRALORIC      | 1 |
| R             | -020                   | 2500018200  | 182R * 1% 0,3 W SMA207         | 182R * 1% 0,3 W SMA207            | DRALORIC      | 1 |
| R             | -021                   | 2500063400  | 634R * 1% 0,3 W SMA207         | 634R * 1% 0,3 W SMA207            | DRALORIC      | 1 |
| R             | -022                   | 2500018200  | 182R * 1% 0,3 W SMA207         | 182R * 1% 0,3 W SMA207            | DRALORIC      | 1 |

| REPERE INDEXE | REF. ADRET PART NUMBER | DESCRIPTION                       | PART DESCRIPTION                 | FOURNISSEUR/PLAN SUPPLIER/DRAWING | QTE QTY |
|---------------|------------------------|-----------------------------------|----------------------------------|-----------------------------------|---------|
| R -023        | 2500952300             | 52R3 * 1% 0,3 W SMA207 *          | 52R3 * 1% 0,3 W SMA207 *         | DRALORIC                          | 1       |
| R -024        | 2500952300             | 52R3 * 1% 0,3 W SMA207 *          | 52R3 * 1% 0,3 W SMA207 *         | DRALORIC                          | 1       |
| R -025        | 2500015000             | 150R * 1% 0,3 W SMA207 *          | 150R * 1% 0,3 W SMA207 *         | DRALORIC                          | 1       |
| R -026        | 2500968100             | 68R1 * 1% 0,3 W SMA207 *          | 68R1 * 1% 0,3 W SMA207 *         | DRALORIC                          | 1       |
| R -027        | 2500968100             | 68R1 * 1% 0,3 W SMA207 *          | 68R1 * 1% 0,3 W SMA207 *         | DRALORIC                          | 1       |
| R -028        | 2300092700             | 2R7 SFR 25 1/4W 5% RC2T *         | 2R7 SFR 25 1/4W 5% RC2T *        | RTC                               | 1       |
| R -030        | 2905031000             | 10K 5,08 CC 5% NK3 *              | 10K 5,08 CC 5% NK3 *             | SOVCOR                            | 1       |
| R -031        | 2905041000             | 100K 5,08 CC 5% NK3 *             | 100K 5,08 CC 5% NK3 *            | SOVCOR                            | 1       |
| R -032        | 2905015600             | 560R 5,08 CC 5% NK3 *             | 560R 5,08 CC 5% NK3 *            | SOVCOR                            | 1       |
| R -033        | 2905041000             | 100K 5,08 CC 5% NK3 *             | 100K 5,08 CC 5% NK3 *            | SOVCOR                            | 1       |
| R -034        | 2905001000             | 10R 5,08 CC 5% NK3 *              | 10R 5,08 CC 5% NK3 *             | SOVCOR                            | 1       |
| SN -001       | 4200380000             | LM 311 N 8 B+ (DIP 8) .....       | LM 311 N 8 B+ (DIP 8) .....      | NS                                | 1       |
| Z1            | 1275710300             | CI ATTENUATEUR ..... 730A *       | ATTENUATOR PC ..... 730A *       | G997571 .... TM                   | 1       |
| Z6            | 6100030600             | TCB M3X 6 U DIN7985-4,8 INOX *    | TCB M3X 6 U DIN7985-4,8 INOX *   | BD                                | 4       |
| Z6            | 6103030800             | TCHC M3X 8 U DIN912-5,6 INOX *    | TCHC M3X 8 U DIN912-5,6 INOX *   | BD                                | 4       |
| Z6            | 6143031200             | TCHC M3X12 U DIN912-5,6 INOX *    | TCHC M3X12 U DIN912-5,6 INOX *   | BD                                | 23      |
| Z6            | 6143033000             | TCHC M3X30 U DIN912-5,6 INOX *    | TCHC M3X30 U DIN912-5,6 INOX *   | BD                                | 16      |
| Z6            | 6400180000             | COSSE A SOUDER 5,2 ..... 5G *     | SOLDERING TERMINAL 5.2 .... 5G * | MFOM                              | 1       |
| Z6            | 6900710000             | CLINQUANT ADHESIF '19' REF 1181 * | ADHESIVE FOIL '19' REF 1181 *    | 3M                                | 0       |
| Z8            | 8008120100             | CORPS ATTENUATEUR ..... 730A *    | ATTENUATOR BODY ..... 730A *     | F92.....                          | 1       |

**ALIMENTATION  
POWER SUPPLY BOARD**



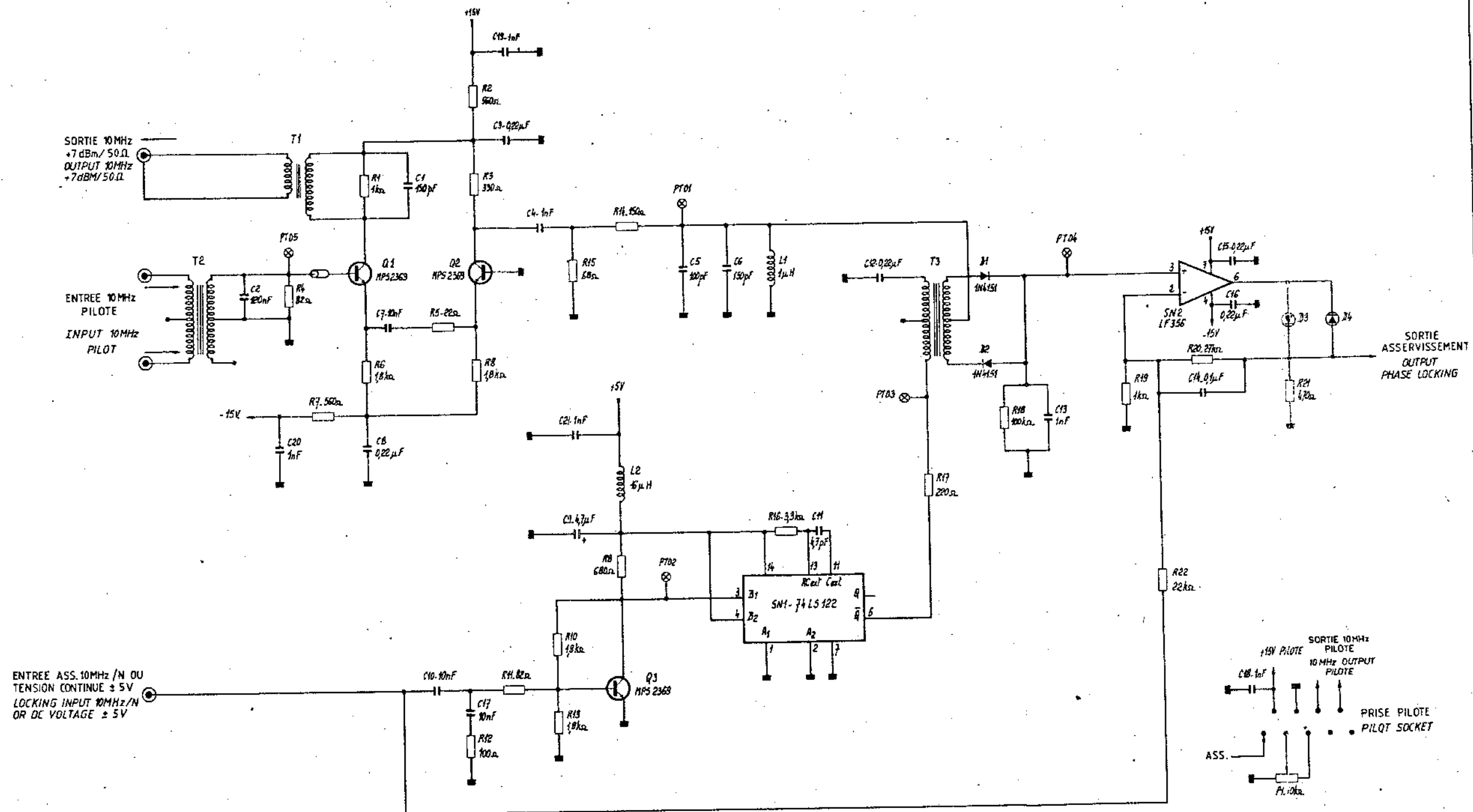
SUR PANNEAU AVANT ON FRONT PANEL  
VERS PILOTE TO MASTER OSCILLATOR  
-15V - 5V - 15V  
LED BF EX1 BF EX2 CBE C d 200 Hz  
10MHz DU PILOTE FROM MASTER OSCILLATOR 10MHz  
BF 5Vc/c 10V 10V/c

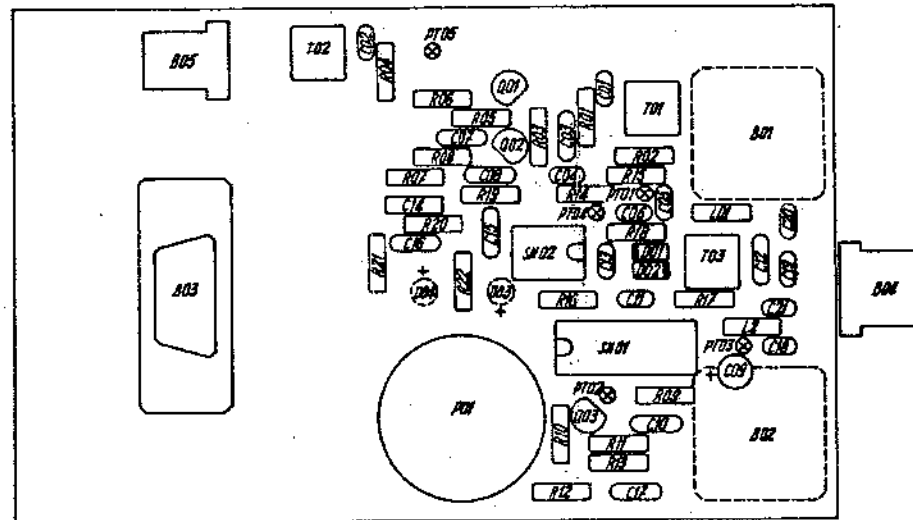
- B9 CARTE ANALOGIQUE ANALOGICAL BOARD
- B8 MODULATION MODULATION BOARD
- B7 FM CONTINUE DC FM BOARD
- B6 GENERATION 400MHz 400MHz GENERATION BOARD
- B5 PAS DE 2MHz 2MHz STEPS BOARD
- B4 ASSERVISSEMENT OSCILLATEUR 396/574MHz 396/574 MHz PHASE LOCKING OSCILLATOR BOARD
- B3 DEUX CENTADE 200 STEPS BOARD
- B2 DIX MILLADE 10000 STEPS BOARD
- B1 CHARGEMENT LOAD C.P.U. C.P.U. BOARD

|                           |       |  |         |
|---------------------------|-------|--|---------|
| <b>ADRET ELECTRONIQUE</b> |       | <small>15-16 AL YVES COHENY 25 000 TRAPPIE FRANCE C. W. 001 017 0 74 001 017</small> |         |
| CHASSIS EQUIPE            |       | FITTED CHASSIS   |         |
| DATE 28 06 84             | ETUDE | DESINE   | VERIFIE |
| A 970275720000            |       |  |         |

\*0275720000 06 CHASSIS EQUIPE ..... 730A \* 06 FITTED CHASSIS ..... 730A G91.....A97 \*  
\*\*\*\*\*

| REPERE INDEXE | REF. ADRET PART NUMBER | DESCRIPTION                      | PART DESCRIPTION                       | Fournisseur/PLAN SUPPLIER/DRAWING | QTE QTY |
|---------------|------------------------|----------------------------------|--|-----------------------------------|---------|
|               | 001 0273820100         | 02 ASSERVISSEMENT '2' .... 740A  | * 02 80MHZ PHASE LOCKING '2' 740A      | F92...--B98897                    | 1       |
|               | 001 0274820000         | 02 PORTEUR EQUIPE ..... 730A     | * 02 FITTED MOTHER ..... 730A          | B92(2).....                       | 1       |
|               | 001 0277360000         | 01 FACE AVANT AFFICHAGE '3' 730A | * 01 DISPLAY FRONT PANEL '3' 730A      | A92.....                          | 1       |
| B             | -002 0205190000        | 01 NATTE 26'177''244'L160 740A   | * 01FLAT-TOP26'177'244'L160 740A       | ADRET.....                        | 1       |
| B             | -003 1409003200        | DE 9 S ..... 'FEMELLE'           | * DE 9 S ..... 'FEMALE'                | SOURIAU                           | 1       |
| B             | -004 1404024800        | BOITIER 4PTS .. REF 22-01-2045   | * COLLET 4PTS .. REF 22-01-2045        | MOLEX                             | 1       |
| B             | -005 1404024800        | BOITIER 4PTS .. REF 22-01-2045   | * COLLET 4PTS .. REF 22-01-2045        | MOLEX                             | 1       |
| B             | -006 0205180000        | 02 NATTE 14'259''258'L210 740A   | * 02FLAT-TOP14'259'258'L210 740A       | C94.....                          | 1       |
| B             | -007 1404024800        | BOITIER 4PTS .. REF 22-01-2045   | * COLLET 4PTS .. REF 22-01-2045        | MOLEX                             | 1       |
| B             | -008 1405028500        | BOITIER 5 PTS ..... 22-01.2055   | * COLLET 5 PTS ..... 22-01.2055        | MOLEX                             | 1       |
| B             | -009 0204920000        | 01 COAX 2TR '320' '263'L430 730A | * 01 COAX 2TR '320' '263'L430 730A     | B94.....                          | 1       |
| B             | -010 0205050000        | 02 COAX 2TR '320' '263'L230 740A | * 02 COAX 2TR '320' '263'L230 740A     | C94.....                          | 1       |
| B             | -011 1404024800        | BOITIER 4PTS .. REF 22-01-2045   | * COLLET 4PTS .. REF 22-01-2045        | MOLEX                             | 1       |
| Z1            | 1007400000             | TRANSFO ALIM ..... 740A          | * TRANSFORMER POWER SUPPLY... 740A     | H93.....                          | 1       |
| Z1            | 1100010000             | FIL NOIR ..... KY30-04           | * BLACK THREAD ..... KY30-04           | FILECA                            | 0       |
| Z1            | 1100020000             | FIL MARRON ..... KY30-04         | * BROWN THREAD ..... KY30-04           | FILECA                            | 0       |
| Z1            | 1100030000             | FIL ROUGE ..... KY30-04          | * RED THREAD ..... KY30-04             | FILECA                            | 0       |
| Z1            | 1100040000             | FIL ORANGE ..... KY30-04         | * ORANGE THREAD ..... KY30-04          | FILECA                            | 0       |
| Z1            | 1100050000             | FIL JAUNE ..... KY30-04          | * YELLOW THREAD ..... KY30-04          | FILECA                            | 0       |
| Z1            | 1100060000             | FIL VERT ..... KY30-04           | * GREEN THREAD ..... KY30-04           | FILECA                            | 0       |
| Z1            | 1100070000             | FIL BLEU ..... KY30-04           | * BLUE THREAD ..... KY30-04            | FILECA                            | 0       |
| Z1            | 1100080000             | FIL VIOLET ..... KY30-04         | * PURPLE THREAD ..... KY30-04          | FILECA                            | 0       |
| Z1            | 1100100000             | FIL BLANC ..... KY30-04          | * WHITE THREAD ..... KY30-04           | FILECA                            | 0       |
| Z1            | 1100310000             | FIL NOIR SEC 0,93 ..... KY30-07  | * BLACK THREAD SEC 0.93 ..... KY30-07  | FILECA                            | 0       |
| Z1            | 1100320000             | FIL MARRON SEC 0,93 .. KY30-07   | * BROWN THREAD SEC 0.93 ..... KY30-07  | FILECA                            | 0       |
| Z1            | 1100330000             | FIL ROUGE SEC 0,93 .. KY30-07    | * RED THREAD SEC 0.93 .. KY30-07       | FILECA                            | 0       |
| Z1            | 1100340000             | FIL ORANGE SEC 0,93 .. KY30-07   | * ORANGE THREAD SEC 0.93 ..... KY30-07 | FILECA                            | 0       |
| Z1            | 1100350000             | FIL JAUNE SEC 0,93 .. KY30-07    | * YELLOW THREAD SEC 0.93 ..... KY30-07 | FILECA                            | 0       |
| Z1            | 1100400000             | CABLE BLINDE GRIS .....FMA2R     | * GREY ARMORED CABLE .....FMA2R        | FILECA                            | 0       |
| Z1            | 1100950000             | VERT/JAUNE .. H07-U-K(1X1,SET)   | * GREEN/YELLOW H07-U-K(1X1,SET)        | FILECA                            | 0       |
| Z1            | 1300430000             | GAINÉ F2,4 FP301 3/32 . SFM 24   | * SHEATH F2.4 FP301 3/32 . SFM 24      | HELLERMANN                        | 0       |
| Z1            | 1300450000             | GAINÉ F4,8 FP301 3/16 . SFM 48   | * SHEATH F4.8 FP301 3/16 . SFM 48      | HELLERMANN                        | 0       |
| Z1            | 1300460000             | GAINÉ F6,4 FP301 1/4 . SFM 64    | * SHEATH F6.4 FP301 1/4 . SFM 64       | HELLERMANN                        | 0       |
| Z1            | 1300810000             | TY-RAP ..... REF SST 1M          | * TY-RAP ..... REF SST 1M              | PANDUIT                           | 12      |
| Z1            | 1412023200             | PINCE/14120231 .... REF4809-CL   | * SQUEEZING/14120231 REF4809-CL        | MOLEX                             | 16      |
| Z1            | 1720004600             | 1A FST 6,2X3,2 REF 034-3417      | * 1A FST 6.3X3.2 REF 034-3417          | ARNAULD                           | 1       |
| Z1            | 1750004500             | FILTRE SECT.SANS SELECT. E 6J4   | * SECTOR FILTER ..... E 6J4            | CORCOM                            | 1       |
| Z1            | 1750005500             | SELECTEUR TENSION REF 70-1495    | * VOLTAGE SELECTOR . REF 70-1495       | CORCOM                            | 1       |
| Z1            | 1900120000             | VERROUILLAGE FEMELLE . 8630-01   | * FEMALE LOCKING ..... 8630-01         | SOURIAU                           | 2       |
| Z5            | 5900040000             | VENTILATEUR 24V AC ..... 950     | * FAN 24V AC ..... 950                 | PAPST                             | 1       |
| Z6            | 6100310600             | ACF 2,5X 6 CYLIND LARGE FENDUE   | * ACF 2,5X 6 CYLIND LARGE FENDUE       | SAGIC                             | 8       |
| Z6            | 6101041000             | TF M4X10 U DIN965-5,6 INOX       | * TF M4X10 U DIN965-5,6 INOX           | BD                                | 12      |
| Z6            | 6102140800             | TH M4X 8-U NF E27-311-5,6 INOX   | * TH M4X 8-U NF E27-311-5,6 INOX       | BD                                | 7       |
| Z6            | 6103040800             | TCHC M4X 8 U DIN912-5,6 INOX     | * TCHC M4X 8 U DIN912-5,6 INOX         | BD                                | 5       |
| Z6            | 6107020600             | TCL 2,2X6,5 POINT.DIN7981BINOX   | * TCL 2.2X6.5 NIBBL.DIN7981BINOX       | BD                                | 2       |
| Z6            | 6108101500             | ACF 3,5X15 F/90 TAPTITE CRUCIF   | * ACF 3,5X15 F/90 TAPTITE CRUCIF       | GOBIN DAUDE                       | 41      |
| Z6            | 6143041200             | TCHC M4X12 U DIN912-5,6 INOX     | * TCHC M4X12 U DIN912-5,6 INOX         | BD                                | 3       |
| Z6            | 6200040000             | ECROU H M4 U NF E27-411-5 INOX   | * NUT H M4 U NF E27-411-5 INOX         | BD                                | 10      |
| Z6            | 6203040000             | BORGNE M4U 'CALOTTE RAPPORTEE'   | * BORGNE M4U 'CALOTTE RAPPORTEE'       | SAGIC                             | 4       |
| Z6            | 6206040000             | NYLSTOP M4 ..... MP 30/104       | * NYLSTOP M4 ..... MP 30/104           | SAGIC                             | 4       |
| Z6            | 6300040000             | Z 4U (8X0,8) NF E27-611 INOX     | * Z 4U (8X0,8) NF E27-611 INOX         | BD                                | 4       |
| Z6            | 6305040000             | ACTI 4 CONTACT REF 55-04-01-32   | * STEEL 4 CONTACT REF55-04-01-32       | NOMEL                             | 18      |
| Z6            | 6401070000             | COSSE FASTON 6.3 REF 165341-1    | * FASTON LUG 6.3 REF 165341-1          | AMP                               | 8       |
| Z6            | 6701330000             | ENLIS 3 L 3 ..... EX 8 INT4,2    | * ENLIS 3 L 3 ..... EX 8 INT4,2        | ACCEL                             | 4       |
| Z6            | 6800860000             | AMORTISSEUR ..... REF AP3        | * DAMPING ..... REF AP3                | APEX                              | 4       |
| Z6            | 6800980000             | RESSORT ..... REF C080-080-0125I | * SPRING ..... REF C080-080-0125I      | UANEL                             | 1       |
| Z8            | 0280078208             | BARREAU INFÉRIEUR ..... 104A     | * LOWER BAR ..... 104A                 | A93.....                          | 2       |
| Z8            | 0280080213             | CADRE 3U ..... 740A              | * 3U FRAME ..... 740A                  | D921217.....                      | 1       |
| Z8            | 0280080250             | PROFILE 'PIED' L416 ..... 740A   | * L416 'FOOT' FORM ..... 740A          | D93.....                          | 4       |
| Z8            | 0281080152             | FLASQUE 3U ..... 740A            | * 3U FLASK ..... 740A                  | E930271080152..                   | 2       |
| Z8            | 8008000600             | PANNEAU ARRIERE '2' ..... 740A   | * REAR PANEL '2' ..... 740A            | C92.....                          | 1       |
| Z8            | 8008017200             | CONTREPLAQUE VENTILLATEUR 740A   | * FAN PLYWOOD ..... 740A               | B94.....                          | 1       |
| Z8            | 8008018600             | BLINDAGE AVANT ..... 740A        | * FRONT SHIELDING ..... 740A           | C92.....                          | 1       |
| Z8            | 8008023700             | RADIATEUR ALIMENTATION .. 740A   | * POWER DISSIPATOR ..... 740A          | H94.....                          | 1       |
| Z8            | 8008025400             | CALE FIXATION UHF ..... 740A     | * UHF ANCHOR QUOIN ..... 740A          | B94.....                          | 1       |
| Z8            | 8008028400             | BARREAU FIX. HAUT BAQUET 740A    | * HIGH MODULE ANCHOR BAR .. 740A       | C93.....                          | 1       |
| Z8            | 8008028700             | BARREAU FIX. BAS BAQUET 740A     | * LOW MODULE ANCHOR BAR ... 740A       | C93.....                          | 1       |
| Z8            | 8008039800             | CACHE POTENTIOMETRE ..... 740A   | * POTENTIOMETER MASK ..... 740A        | A94.....                          | 1       |
| Z8            | 8168008000             | CAPOT TRANSFO NICKELE ... 740A   | * NICKELED TRANSFO CAP .... 740A       | ADRET                             | 1       |





|                              |        |   |                   |
|------------------------------|--------|---|-------------------|
| <b>ADRET ELECTRONIQUE</b>    |        | <small>15 rue de la Vallée - 92000 Nanterre - France<br/>TÉLÉPHONE 1 47 42 42 42<br/>TELEX 310 247 L<br/>N° 157 000 001</small> |                   |
| <b>ASSERVISSEMENT PILOTE</b> |        | <b>PHASE LOCK MASTER OSCILLATOR</b>   |                   |
| DATE 3 05 82                 | ÉTYM 3 | DESIGN #  | B970273820100 2/2 |

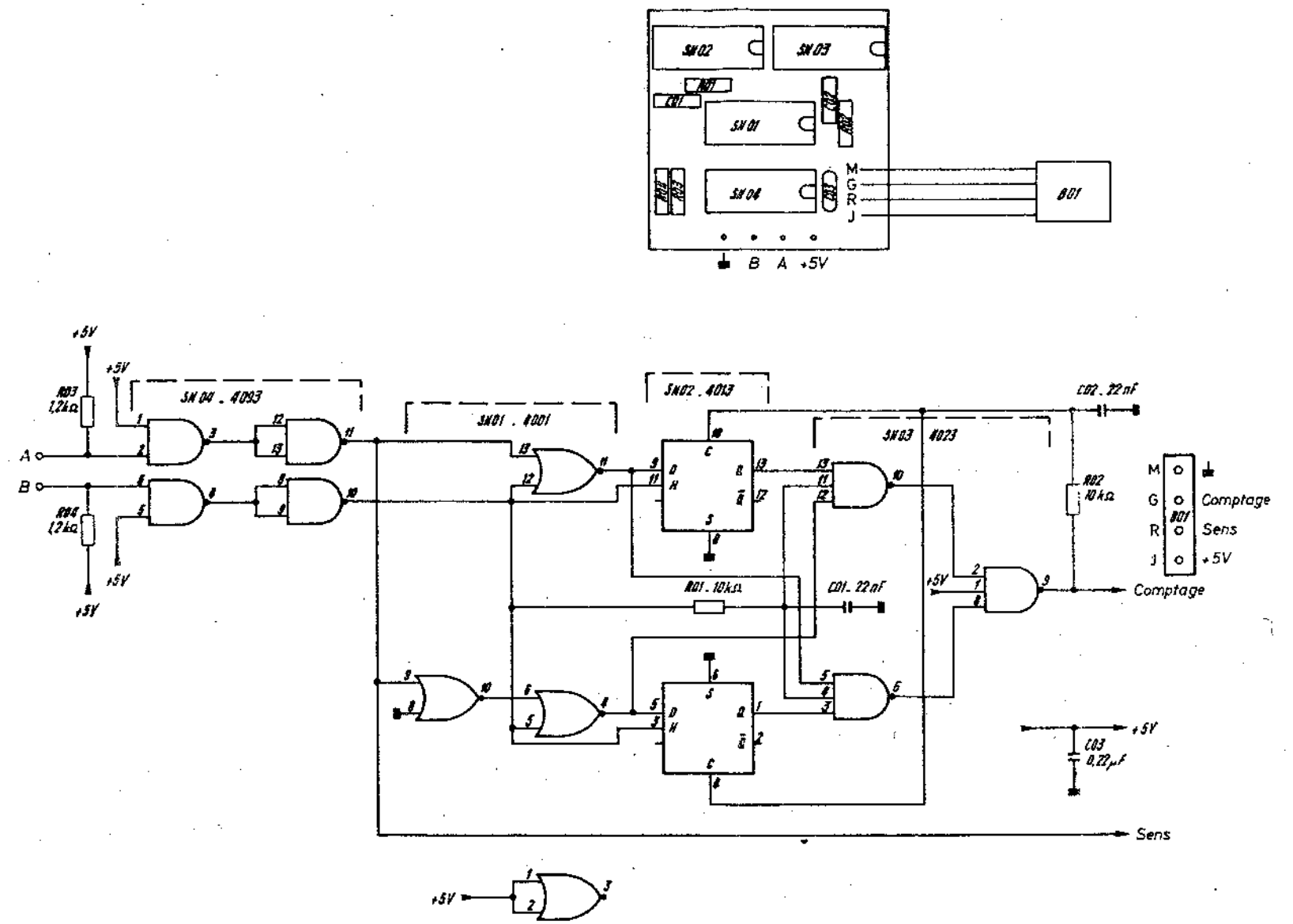


| REPERE INDEXE | REF. ADRET PART NUMBER | DESCRIPTION                     | PART DESCRIPTION                  | FOURNISSEUR/PLAN SUPPLIER/DRAWING | QTE QTY |
|---------------|------------------------|---------------------------------|-----------------------------------|-----------------------------------|---------|
| B -001        | 1400202700             | BNC EMBASE CARRE M2,5 R141404   | * BNC SQUARE SOCKET M2.5 R141404  | RADIALL                           | 1       |
| B -002        | 1400202700             | BNC EMBASE CARRE M2,5 R141404   | * BNC SQUARE SOCKET M2.5 R141404  | RADIALL                           | 1       |
| B -003        | 1403014200             | DE 09S 400 'FEMELLE POUR CI'    | * DE 09S 400 ... 'FEMALE FOR PC'  | SOURIAU                           | 1       |
| B -004        | 1405029700             | EMBASE M.COUEE REF 7395-058     | * MALE BENDED SOCKET REF7395-058  | MOLEX                             | 1       |
| B -005        | 1404030700             | EMBASE MALE COUEE 22-05-7048    | * MALE BENDED SOCKET 22-05-7048   | MOLEX                             | 1       |
| C -001        | 3120011500             | 150PF 2,5 'N15'2222 680 58 151  | * 150PF 2,5 'N15'2222 680 58 151  | COGECO                            | 1       |
| C -002        | 3120011200             | 120PF 2,5 'N12'2222 680 58 121  | * 120PF 2,5 'N12'2222 680 58 121  | COGECO                            | 1       |
| C -003        | 3150042200             | 0,22MMF 5 50V20% 3439050 E224M  | * 0,22MMF 5 50V20% 3439050 E224M  | AUX                               | 1       |
| C -004        | 3120021000             | 1 NF 2,5 2222 630 51 102        | * 1 NF 2,5 2222 630 51 102        | COGECO                            | 1       |
| C -005        | 3120011000             | 100PF 2,5 'N10'2222 680 58 101  | * 100PF 2,5 'N10'2222 680 58 101  | COGECO                            | 1       |
| C -006        | 3120011500             | 150PF 2,5 'N15'2222 680 58 151  | * 150PF 2,5 'N15'2222 680 58 151  | COGECO                            | 1       |
| C -007        | 3150031000             | 10NF 5,08 63V GOX 767 14        | * 10NF 5,08 63V GOX 767 14        | LCC                               | 1       |
| C -008        | 3150042200             | 0,22MMF 5 50V20% 3439050 E224M  | * 0,22MMF 5 50V20% 3439050 E224M  | AUX                               | 1       |
| C -009        | 3700100000             | 4,7MMF/35V 5,08 .. STAND L TAG  | * 4,7MMF/35V 5,08 ...STAND L TAG  | STC                               | 1       |
| C -010        | 3150031000             | 10NF 5,08 63V GOX 767 14        | * 10NF 5,08 63V GOX 767 14        | LCC                               | 1       |
| C -011        | 3120094700             | 4,7PF 2,5 2222 680 09 478       | * 4,7PF 2,5 2222 680 09 478       | COGECO                            | 1       |
| C -012        | 3150042200             | 0,22MMF 5 50V20% 3439050 E224M  | * 0,22MMF 5 50V20% 3439050 E224M  | AUX                               | 1       |
| C -013        | 3120021000             | 1 NF 2,5 2222 630 51 102        | * 1 NF 2,5 2222 630 51 102        | COGECO                            | 1       |
| C -014        | 3234100400             | 0,1 MMF 5,08 10% IRD607         | * 0,1 MMF 5,08 10% IRD607         | LCC                               | 1       |
| C -015        | 3150042200             | 0,22MMF 5 50V20% 3439050 E224M  | * 0,22MMF 5 50V20% 3439050 E224M  | AUX                               | 1       |
| C -016        | 3150042200             | 0,22MMF 5 50V20% 3439050 E224M  | * 0,22MMF 5 50V20% 3439050 E224M  | AUX                               | 1       |
| C -017        | 3150031000             | 10NF 5,08 63V GOX 767 14        | * 10NF 5,08 63V GOX 767 14        | LCC                               | 1       |
| C -018        | 3120021000             | 1 NF 2,5 2222 630 51 102        | * 1 NF 2,5 2222 630 51 102        | COGECO                            | 1       |
| C -019        | 3120021000             | 1 NF 2,5 2222 630 51 102        | * 1 NF 2,5 2222 630 51 102        | COGECO                            | 1       |
| C -020        | 3120021000             | 1 NF 2,5 2222 630 51 102        | * 1 NF 2,5 2222 630 51 102        | COGECO                            | 1       |
| C -021        | 3120021000             | 1 NF 2,5 2222 630 51 102        | * 1 NF 2,5 2222 630 51 102        | COGECO                            | 1       |
| D -001        | 4500020000             | IN4151                          | * IN4151                          | FU'ITT                            | 1       |
| D -002        | 4500020000             | IN4151                          | * IN4151                          | FU'ITT                            | 1       |
| D -003        | 4000160000             | LD 3,17 ROUGE ..... HLMP 1002   | * RED 3.17 LED ..... HLMP 1002    | HP                                | 1       |
| D -004        | 4000160000             | LD 3,17 ROUGE ..... HLMP 1002   | * RED 3.17 LED ..... HLMP 1002    | HP                                | 1       |
| L -001        | 5300220000             | 1,0MMH ORE 53822 DEL 1025-20    | * 1,0MMH ORE 53822 DEL 1025-20    | OREGA                             | 1       |
| L -002        | 0219720000             | 00 SELF 20MMH ..... (EX 530336) | * 00 SELF 20MMH ..... (EX 530336) | ADRET                             | 1       |
| P -001        | 2123100500             | 10K 0,25% BOB 10T AXE FT 534    | * 10K 0,25% BOB 10T AXE FT 534    | SPECTROL                          | 1       |
| Q -001        | 4300150000             | MPS 2369                        | * MPS 2369                        | MOTOROLA                          | 1       |
| Q -002        | 4300150000             | MPS 2369                        | * MPS 2369                        | MOTOROLA                          | 1       |
| Q -003        | 4300150000             | MPS 2369                        | * MPS 2369                        | MOTOROLA                          | 1       |
| R -001        | 2210021000             | 1K0 5% N4                       | * 1K0 5% N4                       | SOUCOR                            | 1       |
| R -002        | 2210015600             | 560R 5% N4                      | * 560R 5% N4                      | SOUCOR                            | 1       |
| R -003        | 2210013300             | 330R 5% N4                      | * 330R 5% N4                      | SOUCOR                            | 1       |
| R -004        | 2210008200             | 82R 5% N4                       | * 82R 5% N4                       | SOUCOR                            | 1       |
| R -005        | 2210002200             | 22R 5% N4                       | * 22R 5% N4                       | SOUCOR                            | 1       |
| R -006        | 2210021800             | 1K8 5% N4                       | * 1K8 5% N4                       | SOUCOR                            | 1       |
| R -007        | 2210015600             | 560R 5% N4                      | * 560R 5% N4                      | SOUCOR                            | 1       |
| R -008        | 2210021800             | 1K8 5% N4                       | * 1K8 5% N4                       | SOUCOR                            | 1       |
| R -009        | 2210016800             | 680R 5% N4                      | * 680R 5% N4                      | SOUCOR                            | 1       |
| R -010        | 2210021800             | 1K8 5% N4                       | * 1K8 5% N4                       | SOUCOR                            | 1       |
| R -011        | 2210008200             | 82R 5% N4                       | * 82R 5% N4                       | SOUCOR                            | 1       |
| R -012        | 2210011000             | 100R 5% N4                      | * 100R 5% N4                      | SOUCOR                            | 1       |
| R -013        | 2210021800             | 1K8 5% N4                       | * 1K8 5% N4                       | SOUCOR                            | 1       |
| R -014        | 2210011500             | 150R 5% N4                      | * 150R 5% N4                      | SOUCOR                            | 1       |
| R -015        | 2210006800             | 68R 5% N4                       | * 68R 5% N4                       | SOUCOR                            | 1       |
| R -016        | 2210023300             | 3K3 5% N4                       | * 3K3 5% N4                       | SOUCOR                            | 1       |
| R -017        | 2210012200             | 220R 5% N4                      | * 220R 5% N4                      | SOUCOR                            | 1       |
| R -018        | 2210041000             | 100K 5% N4                      | * 100K 5% N4                      | SOUCOR                            | 1       |
| R -019        | 2210021000             | 1K0 5% N4                       | * 1K0 5% N4                       | SOUCOR                            | 1       |
| R -020        | 2210032700             | 27K 5% N4                       | * 27K 5% N4                       | SOUCOR                            | 1       |
| R -021        | 2210014700             | 470R 5% N4                      | * 470R 5% N4                      | SOUCOR                            | 1       |
| R -022        | 2210032200             | 22K 5% N4                       | * 22K 5% N4                       | SOUCOR                            | 1       |
| SN -001       | 4157412200             | SN 74 LS 122 N                  | * SN 74 LS 122 N                  | TEXAS                             | 1       |
| SN -002       | 4200320000             | LF 356 N B+                     | * LF 356 N B+                     | NS                                | 1       |
| T -001        | 0219170000             | 00 F10 9X2 SPIRES ..... 740A    | * 00 F10 9X2 TURNS ..... 740A     | Z94 F10.....11                    | 1       |
| T -002        | 0219140000             | 02 BOUTON H20 3+3X3+3 SPIRES    | * 02 BUTTON H20 3+3X3+3 TURNS     | Z94 BH20.....12                   | 1       |
| T -003        | 0219140000             | 02 BOUTON H20 3+3X3+3 SPIRES    | * 02 BUTTON H20 3+3X3+3 TURNS     | Z94 BH20.....12                   | 1       |
| Z1            | 1100030000             | FIL ROUGE ..... KY30-04         | * RED THREAD ..... KY30-04        | FILECA                            | 0       |
| Z1            | 1100060000             | FIL VERT ..... KY30-04          | * GREEN THREAD ..... KY30-04      | FILECA                            | 0       |
| Z1            | 1100070000             | FIL BLEU ..... KY30-04          | * BLUE THREAD ..... KY30-04       | FILECA                            | 0       |
| Z1            | 1273821000             | CI ASSERVISSEMENT ..... 740A    | * PHASE-LOCKING PC ..... 740A     | M997382.....TM                    | 1       |
| Z5            | 1400109900             | POINT TEST                      | * TEST POINT                      | C940850                           | 1       |
| Z5            | 5400050000             | CALE ISOLANTE NEOSID POUR CI    | * NEOSID INSULATING QUIN FOR PC   | -940008                           | 1       |
| Z5            | 5500170000             | TORE 481 3,7X1,2X3,5            | * TORE 481 3,7X1,2X3,5            | RTC                               | 1       |
| Z6            | 6100031200             | TCB M3X12 U DIN7985-4,8 INOX    | * TCB M3X12 U DIN7985-4,8 INOX    | BD                                | 2       |
| Z6            | 6130111000             | LAD 2,5X10 CYLINDRIQUE FENDUE   | * LAD 2.5 X 10 CYLINDER SLOT ...  | SAGIC                             | 4       |
| Z6            | 6200030000             | ECROU H M3 U NF E27-411-5 INOX  | * NUT H M3 U NF E27-411-5 INOX    | BD                                | 2       |
| Z6            | 6303010000             | ACI 2,5 ONDUFLEX REF 50025132   | * STEEL 2.5 ONDUFLEX REF50025132  | NOMEL                             | 4       |
| Z6            | 6303030000             | ACI 3 ONDUFLEX REF 52030132     | * STEEL 3 ONDUFLEX REF 52030132   | NOMEL                             | 2       |
| Z6            | 6370109000             | CAO 10 X20X 3 REF 1535          | * CAO 10 X20X 3 REF 1535          | BAUDON                            | 1       |
| Z6            | 6701260100             | ENLIS 2 L=5                     | * ENLIS 2 L=5                     | ACCEL                             | 2       |
| Z6            | 6701380000             | ENLIS 3 L15(4,2X8)              | * ENLIS 3 L15(4,2X8)              | ACCEL                             | 2       |
| Z8            | 8008036200             | ENTRETOISE A SERTIR HTEUR 6 X3  | * SPACER TO SQUEEZE HEIGHT 6 X3   | B94                               | 4       |

\*0274820000 02 PORTEUR EQUIPE ..... 730A \* 02 FITTED MOTHER ..... 730A B92(2)..... \*

| REPERE INDEXE | REF. ADRET PART NUMBER | DESCRIPTION                    | PART DESCRIPTION                  | FOURNISSEUR/PLAN SUPPLIER/DRAWING | QTE QTY |
|---------------|------------------------|--------------------------------|-----------------------------------|-----------------------------------|---------|
| B -001        | 1431026600             | 31PTS FEMEL. 8623-31-64-14-335 | * 31PTS FEMALE 8623-31-64-14-335  | SOURIAU                           | 1       |
| B -002        | 1431026600             | 31PTS FEMEL. 8623-31-64-14-335 | * 31PTS FEMALE 8623-31-64-14-335  | SOURIAU                           | 1       |
| B -003        | 1431026600             | 31PTS FEMEL. 8623-31-64-14-335 | * 31PTS FEMALE 8623-31-64-14-335  | SOURIAU                           | 1       |
| B -004        | 1431026600             | 31PTS FEMEL. 8623-31-64-14-335 | * 31PTS FEMALE 8623-31-64-14-335  | SOURIAU                           | 1       |
| B -005        | 1431026600             | 31PTS FEMEL. 8623-31-64-14-335 | * 31PTS FEMALE 8623-31-64-14-335  | SOURIAU                           | 1       |
| B -006        | 1431026600             | 31PTS FEMEL. 8623-31-64-14-335 | * 31PTS FEMALE 8623-31-64-14-335  | SOURIAU                           | 1       |
| B -007        | 1431026600             | 31PTS FEMEL. 8623-31-64-14-335 | * 31PTS FEMALE 8623-31-64-14-335  | SOURIAU                           | 1       |
| B -008        | 1431026600             | 31PTS FEMEL. 8623-31-64-14-335 | * 31PTS FEMALE 8623-31-64-14-335  | SOURIAU                           | 1       |
| B -009        | 1431026600             | 31PTS FEMEL. 8623-31-64-14-335 | * 31PTS FEMALE 8623-31-64-14-335  | SOURIAU                           | 1       |
| B -010        | 1435004700             | TM 35 FCIDG. FEMELLE*PORTEUR   | * TM 35 FCIDG. ....               | TRELEC                            | 1       |
| B -011        | 0204960000             | 00 COAX '250' 256'L440 .. 730A | * 00 COAX '250' 256'L440 .. 730A  | A94.....                          | 1       |
| B -012        | 1400219300             | KMUI2 EMBASE DROITE 'MALE' CI  | * 00 KMUI2 STRAIGHT ..... CI      | SEALCTRO                          | 1       |
| C -001        | 3500380000             | 6800MMF 40V FELSIC C039        | * 6800MMF 40V FELSIC C039         | SIC SAFCO                         | 1       |
| C -002        | 3500380000             | 6800MMF 40V FELSIC C039        | * 6800MMF 40V FELSIC C039         | SIC SAFCO                         | 1       |
| C -003        | 3500560000             | 10 000MMF 25V .....FELSIC C039 | * 10 000MMF 25V .....FELSIC C039  | SIC SAFCO                         | 1       |
| C -004        | 3500560000             | 10 000MMF 25V .....FELSIC C039 | * 10 000MMF 25V .....FELSIC C039  | SIC SAFCO                         | 1       |
| C -005        | 3150031000             | 10NF 5,08 63V GOX 767 14       | * 10NF 5,08 63V GOX 767 14        | LCC                               | 1       |
| C -006        | 3150031000             | 10NF 5,08 63V GOX 767 14       | * 10NF 5,08 63V GOX 767 14        | LCC                               | 1       |
| C -007        | 3700100000             | 4,7MMF/35V 5,08 .. STAND L TAG | * 4,7MMF/35V 5,08 ..STAND L TAG   | STC                               | 1       |
| C -008        | 3700100000             | 4,7MMF/35V 5,08 .. STAND L TAG | * 4,7MMF/35V 5,08 ..STAND L TAG   | STC                               | 1       |
| C -009        | 3700100000             | 4,7MMF/35V 5,08 .. STAND L TAG | * 4,7MMF/35V 5,08 ..STAND L TAG   | STC                               | 1       |
| C -010        | 3700100000             | 4,7MMF/35V 5,08 .. STAND L TAG | * 4,7MMF/35V 5,08 ..STAND L TAG   | STC                               | 1       |
| C -011        | 3700100000             | 4,7MMF/35V 5,08 .. STAND L TAG | * 4,7MMF/35V 5,08 ..STAND L TAG   | STC                               | 1       |
| C -012        | 3700100000             | 4,7MMF/35V 5,08 .. STAND L TAG | * 4,7MMF/35V 5,08 ..STAND L TAG   | STC                               | 1       |
| Q -001        | 4300670000             | 2N 3772 .....                  | * 2N 3772 .....                   | MOTOROLA                          | 1       |
| Q -002        | 4300670000             | 2N 3772 .....                  | * 2N 3772 .....                   | MOTOROLA                          | 1       |
| R -001        | 2210011000             | 100R 5Z N4                     | * 100R 5Z N4                      | SOUCOR                            | 1       |
| SN -001       | 4200640000             | LM 337 K REGUL -1 A -37V' .... | * LM 337 K REGUL -1 TO -37V' .... | NS                                | 1       |
| SN -002       | 4200660000             | LM 350 K 3A .....              | * LM 350 K 3A .....               | NS                                | 1       |
| Z1            | 1274820500             | CI PORTEUR ..... 730A          | * MOTHER BOARD PC ..... 730A      | E997482.....TM                    | 1       |
| Z1            | 1300070000             | COLLIER H2P .....              | * COLLAR H2P .....                | HELLERMANN                        | 1       |
| Z1            | 1300810000             | TY-RAP ..... REF SST IM        | * TY-RAP ..... REF SST IM         | PANDUIT                           | 3       |
| Z1            | 1900180000             | GUIDE CARTE ANTIUIBR. REF R221 | * BOARD GUIDE ..... REF R221      | TRELEC                            | 2       |
| Z1            | 1900340000             | GUIDE CARTE SANS VERROU RC234  | * BOARD GUIDE ..... RC234         | QEC                               | 2       |
| Z2            | 2000090000             | THERMOPA REF 1528722077050     | * THERMOPA REF 1528722077050      | COMEPA                            | 1       |
| Z4            | 4900040000             | CALE T03 REF:AY317/I 49031701  | * MICA QUIN FOR TO 3 REF D51      | SEEM                              | 4       |
| Z4            | 4900280000             | CANNON ISOLANT L5 ... REF 2314 | * INSULATING CANNON L5 REF 2314   | FONDEX                            | 16      |
| Z6            | 6102131000             | TH M3X10-U NF E27-311-5,6 INOX | * TH M3X10-U NF E27-311-5,6 INOX  | BD                                | 2       |
| Z6            | 6102140800             | TH M4X 8-U NF E27-311-5,6 INOX | * TH M4X 8-U NF E27-311-5,6 INOX  | BD                                | 12      |
| Z6            | 6102141200             | TH M4X12-U NF E27-311-5,6 INOX | * TH M4X12-U NF E27-311-5,6 INOX  | BD                                | 4       |
| Z6            | 6103031600             | TCHC M3X16 U DIN912-5,6 INOX   | * TCHC M3X16 U DIN912-5,6 INOX    | BD                                | 44      |
| Z6            | 6200030000             | ECROU H M3 U NF E27-411-5 INOX | * NUT H M3 U NF E27-411-5 INOX    | BD                                | 10      |
| Z6            | 6200040000             | ECROU H M4 U NF E27-411-5 INOX | * NUT H M4 U NF E27-411-5 INOX    | BD                                | 4       |
| Z6            | 6200050000             | H M5 U NFE 27-411 INOX         | * H M5 U NFE 37-411 INOX          | BD                                | 1       |
| Z6            | 6301050000             | ACI 5 EVENTAIL 'DI'            | * STEEL 5 FAN 'DI' SAGIC          |                                   | 9       |
| Z6            | 6303030000             | ACI 3 ONOUFLEX REF 52030132    | * STEEL 3 ONOUFLEX REF 52030132   | NOMEL                             | 8       |
| Z6            | 6303040000             | ACI 4 ONOUFLEX REF 52040132    | * STEEL 4 ONOUFLEX REF 52040132   | NOMEL                             | 3       |
| Z6            | 6305030000             | ACI 3 CONTACT REF 55-03-01     | * STEEL 3 CONTACT REF 55-03-01    | NOMEL                             | 4       |
| Z6            | 6305040000             | ACI 4 CONTACT REF 55-04-01-32  | * STEEL 4 CONTACT REF55-04-01-32  | NOMEL                             | 3       |
| Z6            | 6400510000             | EQUERRE 10X10 LARG 10 EP 1     | * ANGLEBRACKET10X10 WIDTH10 EP 1  | A943051                           | 4       |
| Z6            | 6400780000             | RIVET Ø 20 L 4                 | * RIVET Ø 20 L 4                  | MFOM                              | 6       |
| Z6            | 6400930000             | RIVET POP 3L4,5 REF:YA 3X4,5   | * POP RIVET 3 L 4.5 REF:YA 3X4.5  | FACOM                             | 4       |
| Z6            | 6500020000             | CAPUCHON NOIR 14,5 040-3020    | * BLACK CAP 14.5 040-3020         | ELMA                              | 1       |
| Z6            | 6700240000             | ENMET 2 L=15 .....             | * ENMET 2 L=15 .....              | ACCEL                             | 1       |
| Z6            | 6701230000             | ENLIS 2 L 3 EX 6 INT 3,2       | * ENLIS 2 L 3 EX 6 INT 3.2        | ACCEL                             | 1       |
| Z6            | 6701250100             | ENLIS 2 L=2 .....              | * ENLIS 2 L=2 .....               | ACCEL                             | 8       |
| Z6            | 6900210000             | RUBAN TESAMOL 9X6BC REF 47-63  | * TESAMOL SCOTCH 9X6BC REF 47-63  | TESA                              | 0       |
| Z6            | 6900480000             | RHODORSIL SILICONES PATE 340   | * RHODORSIL SILICONES PATE 340    | RHONE POULENC                     | 0       |
| Z8            | 0280080233             | CLOISON BAQUET CARTE H103 740A | * H103BOARD MODULE DIVISION 740A  | A94                               | 8       |
| Z8            | 0280080265             | BARRETTE FIX.CONDENS ALIM 740A | * POWER CAPACITOR ANCHOR BAR740A  | B94.....                          | 1       |
| Z8            | 8008013500             | BLINDAGE ALIM PORTEUR ... 740A | * MOTHER POWER SHIELDING .. 740A  | F92.....                          | 1       |
| Z8            | 8008023600             | PORTE TRANSISTORS ALIMENT.740A | * POWER TRANSISTORS HOLDER 740A   | C94.....                          | 1       |

| REPERE INDEXE | REF. ADRET PART NUMBER | DESCRIPTION                      | PART DESCRIPTION                   | FOURNISSEUR/PLAN SUPPLIER/DRAWING | QTE QTY |
|---------------|------------------------|----------------------------------|------------------------------------|-----------------------------------|---------|
|               | 001 0276630000         | 04 MANUELLE '5' ..... 740A       | * 04 SPIN WHEEL '5' ..... 740A     | C93.....A98A97                    | 1       |
|               | 001 0277340000         | 01 CARTE CDE & AFFICHAGE 740A    | * 01 DISPLAY BOARD ..... 740A      | C92(2).....A97                    | 1       |
| B             | -003 1404024800        | BOITIER 4PTS .. REF 22-01-2045   | * COLLET 4PTS .. REF 22-01-2045    | MOLEX                             | 1       |
| B             | -005 1400200500        | BNC EMBASE 'FEMEL' ECROU R141557 | * BNC FEMALE SOCKET NUT R141557    | RADIALL                           | 1       |
| B             | -006 0205200000        | 00 COAX '250' ..... L250 .. 740A | * 00 COAX '250' ..... L250 .. 740A | ADRET.....                        | 1       |
| K             | -002 1530216100        | INTER 1POLE .... REF 1801-1102   | * SWITCHE 1 POLE . REF 1801-1102   | MARQUART                          | 1       |
| Z1            | 1100010000             | FIL NOIR ..... KY30-04           | * BLACK THREAD ..... KY30-04       | FILECA                            | 0       |
| Z1            | 1412023200             | PINCE/14120231 .... REF4809-CL   | * SQUEEZING/14120231 REF4809-CL    | MOLEX                             | 2       |
| Z5            | 5500010000             | H20(4.1X2X3) .....               | * H20(4.1X2X3) .....               | LCC-COFELEC                       | 1       |
| Z6            | 6101030800             | TF/90 M3X 8 U DIN965-4.8 INOX    | * TF/90 M3X 8 U DIN965-4.8 INOX    | BD                                | 2       |
| Z6            | 6101031600             | TF/90 M3X16 U DIN965-4.8 INOX    | * TF/90 M3X16 U DIN965-4.8 INOX    | BD                                | 6       |
| Z6            | 6108101500             | ACF 3.5X15 F/90 TAPTITE CRUCIF   | * ACF 3.5X15 F/90 TAPTITE CRUCIF   | GOBIN DAUDE                       | 12      |
| Z6            | 6200030000             | ECROU H M3 U NF E27-411-5 INOX   | * NUT H M3 U NF E27-411-5 INOX     | BD                                | 6       |
| Z6            | 6206030000             | ACI 3 ECROU FREIN HEXAGONA       | * STEEL 3 HEXAGON DRAG NUT         | SAGIC                             | 6       |
| Z6            | 6305030000             | ACI 3 CONTACT REF 55-03-01       | * STEEL 3 CONTACT REF 55-03-01     | NOMEL                             | 6       |
| Z6            | 6360031000             | BAK 3.2X 6X 1 PLATE 101          | * BAK 3.2X 6X 1 PLATE 101          | MFOM                              | 2       |
| Z6            | 6400350000             | COSSE A SOUDER ..... 2003E       | * SOLDERING TERMINAL ..... 2003E   | MFOM                              | 1       |
| Z6            | 6701240000             | ENLIS 2 L 4 .....                | * ENLIS 2 L 4 .....                | ACCEL                             | 6       |
| Z8            | 0280078208             | BARREAU INFERIEUR ..... 104A     | * LOWER BAR ..... 104A             | A93.....                          | 2       |
| Z8            | 0280080213             | CADRE 3U ..... 740A              | * 3U FRAME ..... 740A              | 0921217.....                      | 1       |
| Z8            | 8008019200             | PLAQUE AVANT(GRILLE) .... 740A   | * FRONT SHEET (LATTICE) ... 740A   | C92.....                          | 1       |

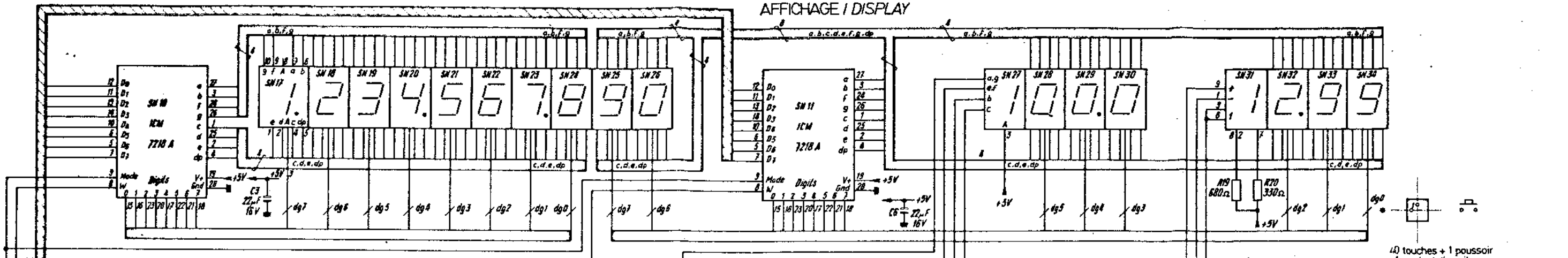


|                           |         |  |                                 |
|---------------------------|---------|--|---------------------------------|
| <b>ADRET ELECTRONIQUE</b> |         | <small>17, 14 av. Europe - 93000 PANTIN<br/>TÉL. 01 48 28 11 11<br/>FAX 01 48 28 11 12<br/>E-MAIL adret@adret.fr</small> |                                 |
| MANIVELLE 5               |         | SPIN WHEEL 5   |                                 |
| DATE 11 12 84             | ETUDE 5 | DESSIN A   | VERIFIE A 9 7 0 2 7 6 6 3 0 0 0 |

\*\*\*\*\*  
 \*0276630000 04 MANIVELLE '5' ..... 740A \* 04 SPIN WHEEL '5' ..... 740A C93.....A98A97 \*  
 \*\*\*\*\*

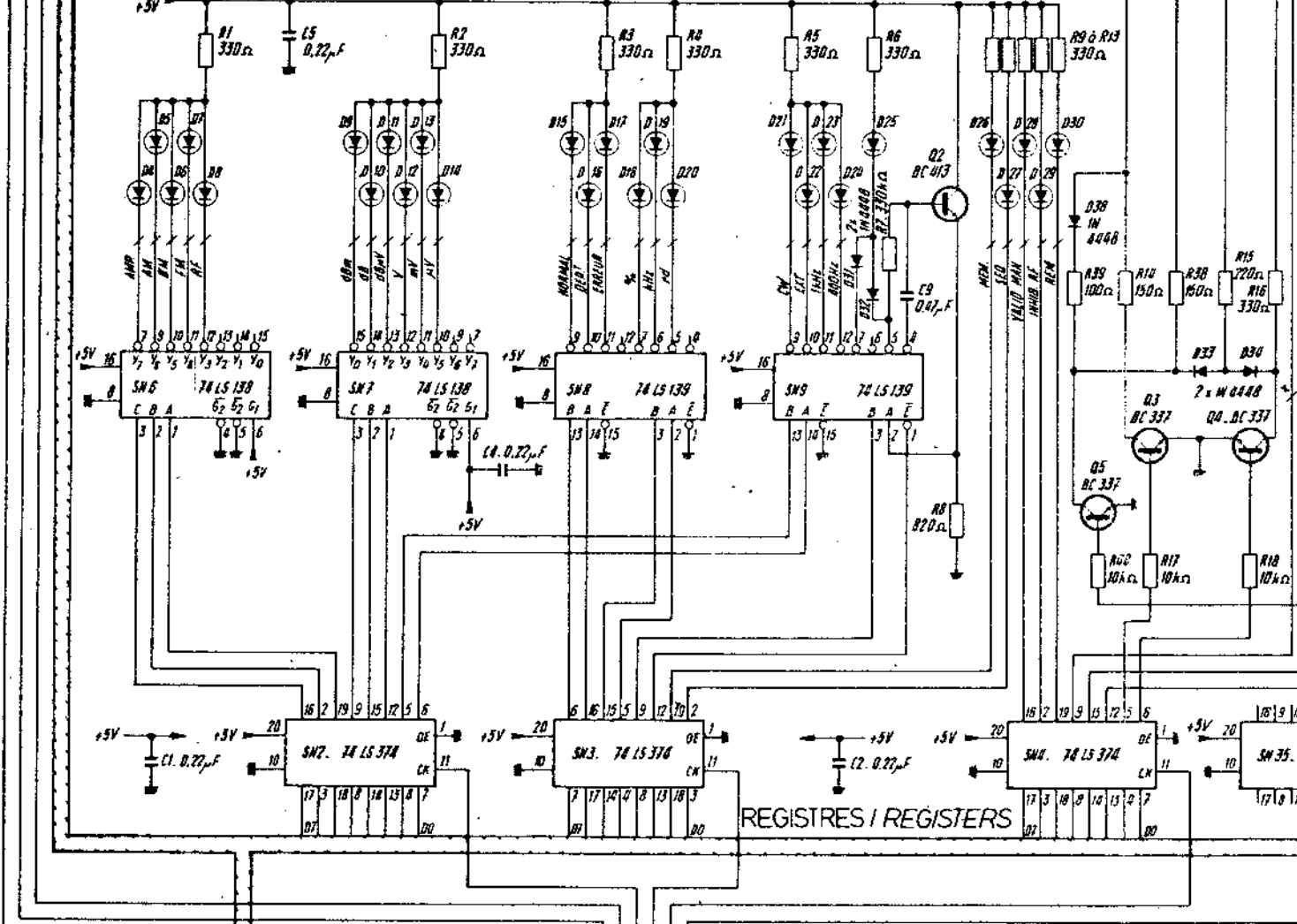
| REPERE<br>INDEXE | REF. ADRET<br>PART NUMBER | DESCRIPTION                     | PART DESCRIPTION                 | FOURNISSEUR/PLAN<br>SUPPLIER/DRAWING | QTE<br>QTY |
|------------------|---------------------------|---------------------------------|----------------------------------|--------------------------------------|------------|
| B -001           | 1404024800                | BOITIER 4PTS .. REF 22-01-2045  | * COLLET 4PTS .. REF 22-01-2045  | MOLEX                                | 1          |
| C -001           | 3233220300                | 22NF 5,08 10% IRD607            | * 22NF 5,08 10% IRD607           | LCC                                  | 1          |
| C -002           | 3233220300                | 22NF 5,08 10% IRD607            | * 22NF 5,08 10% IRD607           | LCC                                  | 1          |
| C -003           | 3150042200                | 0,22MMF 5 50V20% 3439050 E224M  | * 0,22MMF 5 50V20% 3439050 E224M | AUX                                  | 1          |
| R -001           | 2210031000                | 10K 5% N4                       | * 10K 5% N4                      | SOUCOR                               | 1          |
| R -002           | 2210031000                | 10K 5% N4                       | * 10K 5% N4                      | SOUCOR                               | 1          |
| R -003           | 2210021200                | 1K2 5% N4                       | * 1K2 5% N4                      | SOUCOR                               | 1          |
| R -004           | 2210021200                | 1K2 5% N4                       | * 1K2 5% N4                      | SOUCOR                               | 1          |
| SN -001          | 4160400100                | C-MOS 4001 .....                | * C-MOS 4001 .....               | RTC                                  | 1          |
| SN -002          | 4160401300                | C-MOS 4013 .....                | * C-MOS 4013 .....               | RTC                                  | 1          |
| SN -003          | 4160402300                | C-MOS 4023 .....                | * C-MOS 4023 .....               | RTC                                  | 1          |
| SN -004          | 4160409300                | C-MOS 4093 .....                | * C-MOS 4093 .....               | RTC                                  | 1          |
| Z1               | 1100410000                | NATTE 4F. NA402 0,2MM2. DCO-02  | * FLAT-T. 4F NA402 0.2MM2.DCO-02 | FILECA                               | 0          |
| Z1               | 1276630100                | CI MANIVELLE '5' ..... 740A     | * '5' HANDLE PC ..... 740A       | A997663.....TM                       | 1          |
| Z1               | 1412023200                | PINCE/14120231 .... REF4809-CL  | * SQUEEZING/14120231 REF4809-CL  | MOLEX                                | 4          |
| Z5               | 5900070000                | GENERATEUR BG40 SANS 'SCHMITT'  | * GENERATOR BG40 WITHOUT SCHMITT | ITT                                  | 1          |
| Z6               | 6130111600                | LAD 2,5X16 CYLINDRIQUE FENOUE   | * LAD 2.5 X 16 CYLINDER SLOT ... | SAGIC                                | 2          |
| Z6               | 6300100500                | ACI10,2X16X0,5 PLATE REF 25     | * STEEL 10.2X16X0.5 PLATE REF 25 | MFOM                                 | 1          |
| Z6               | 6360011000                | BAK 2,6X 5X 1 PLATE .... 100A   | * BAK 2.6X 5X 1 PLATE .... 100A  | MFOM                                 | 2          |
| Z6               | 6370109000                | CAO 10 X20X 3 REF 1535          | * CAO 10 X20X 3 REF 1535         | BAUDON                               | 1          |
| Z8               | 8008122100                | ENTRETOISE MANIVELLE '3' . 730A | * WHEEL SPACER '3' ..... 730A    | A94.....                             | 1          |

AFFICHAGE / DISPLAY

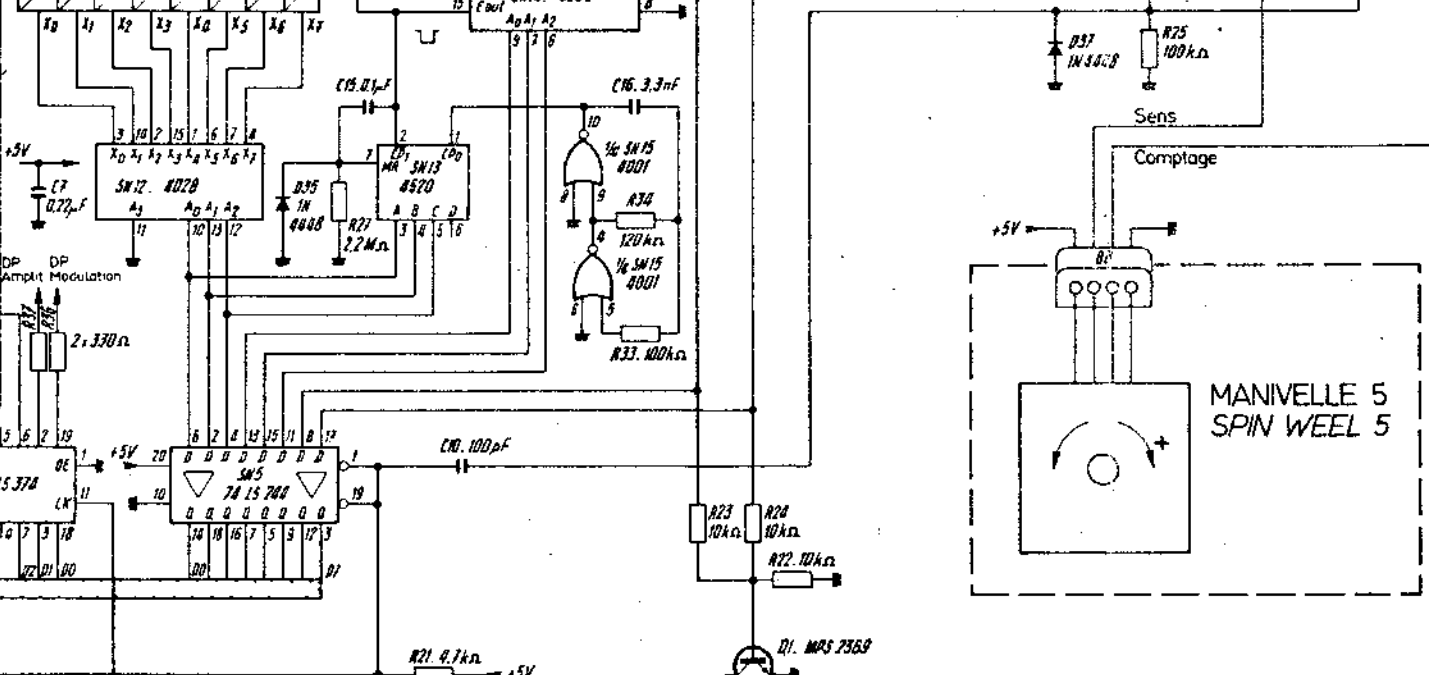
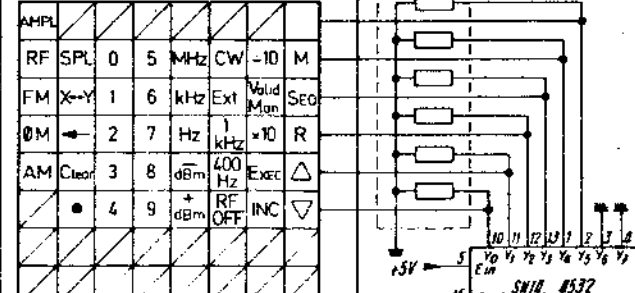


40 touches + 1 poussoir  
 1 contact travail  
 40 keys + 1 push-button  
 normally open

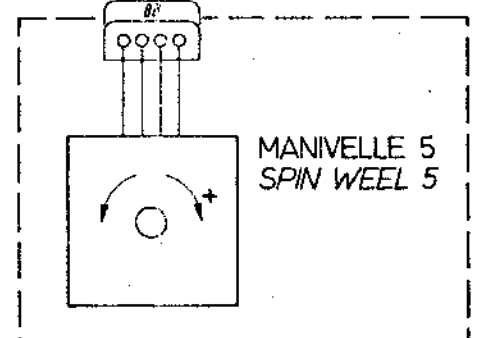
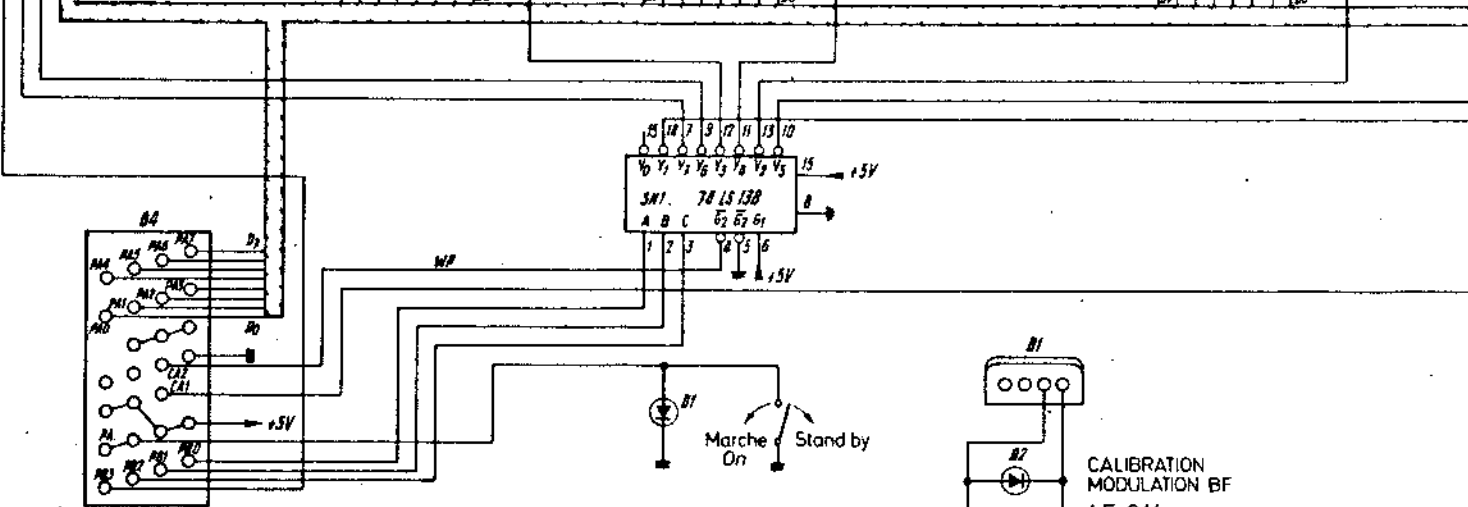
PARAMETRE / PARAMETER AMPLITUDE  
 VOYANTS / LAMPS STATUS MODE  
 SELECT MOD EXEC.



MATRICE DES TOUCHES  
 KEYBOARD MATRIX



REGISTRES / REGISTERS



Marche On  
 Stand by

CALIBRATION  
 MODULATION BF  
 LF CAL

**ADRET ELECTRONIQUE**

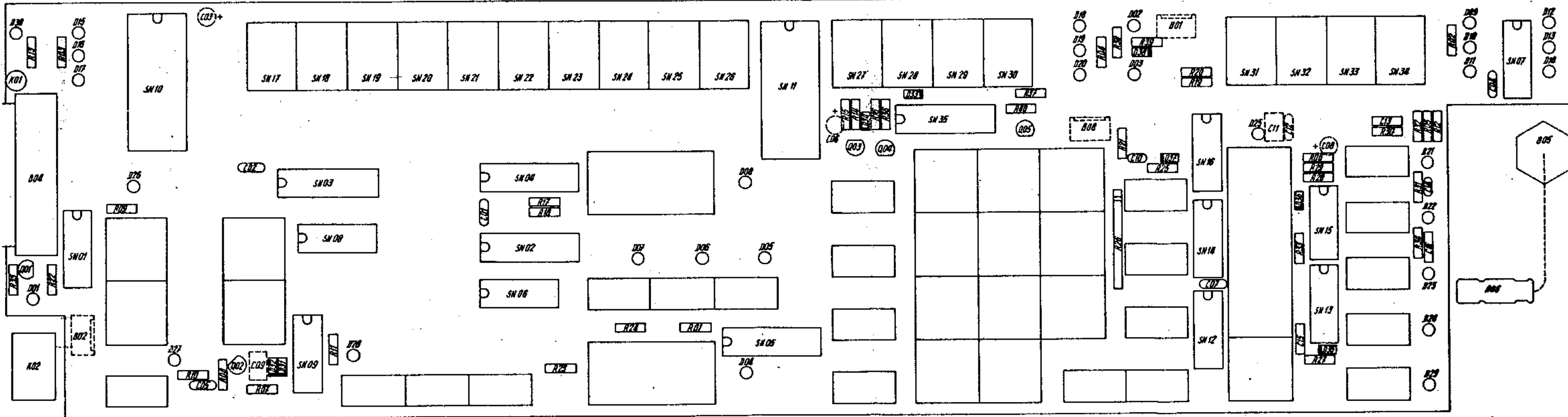
PANNEAU AVANT  
 AFFICHAGE

DISPLAY  
 FRONT PANEL

DATE 29 03 85

STYON DESIGNI VERIF A 9702773400001/2

910196 A



|   |          |   |   |
|---|----------|---|---|
| <b>ADRET ELECTRONIQUE</b>   |          | <small>10, rue de la République<br/>92000 Nanterre<br/>Tél. 01 1 47 33 11 11<br/>Fax 01 1 47 33 11 12</small> |   |
| <small>CE DOCUMENT NE PEUT ÊTRE COMMUNIQUÉ NI REPRODUIT SANS AUTORISATION</small> |          |   |   |
| <b>PANNEAU AVANT<br/>AFFICHAGE</b>  |          | <b>DISPLAY<br/>FRONT PANEL</b>  |   |
| DATE: 01 04 85  | ETUDE: 5 | DESIGN: A970277340000   | 2 |

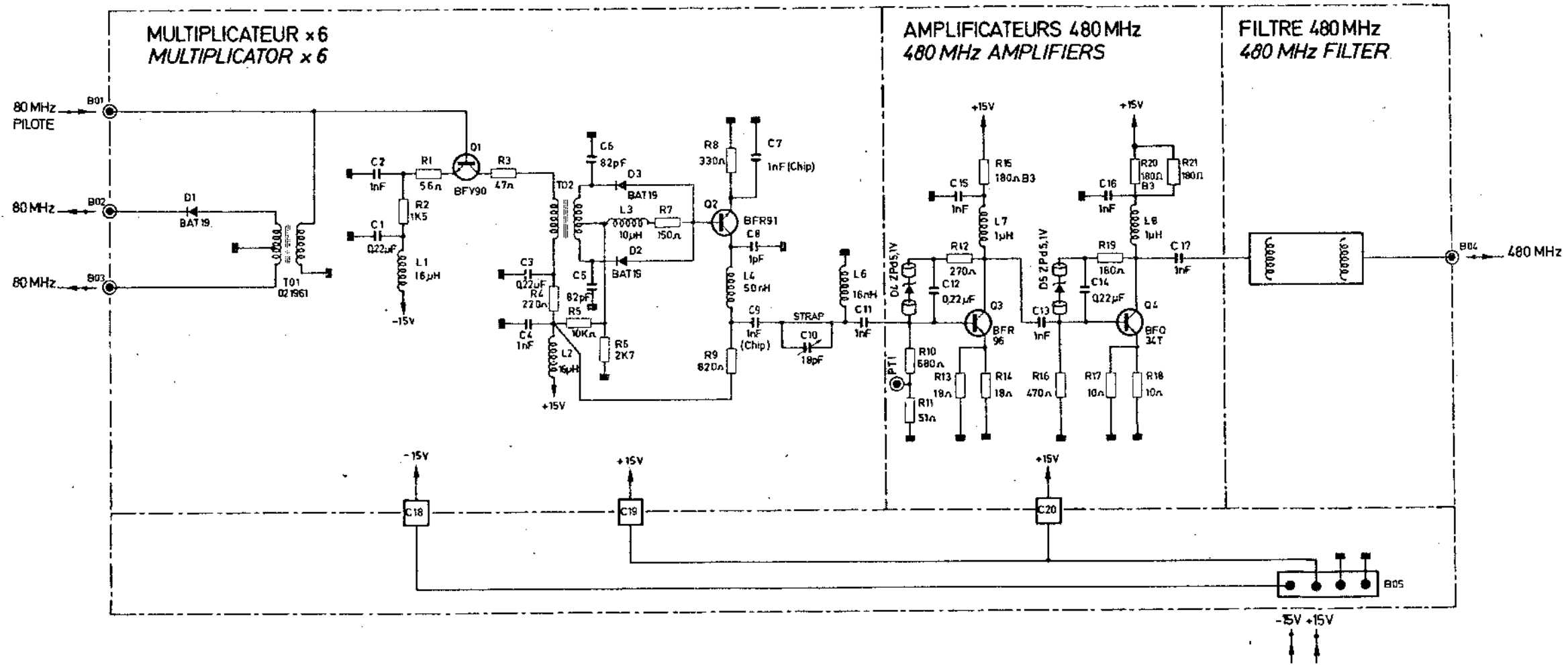
\*0277340000 01 CARTE CDE & AFFICHAGE 740A \* 01 DISPLAY BOARD ..... 740A C92(2).....A97 \*  
 \*\*\*\*\*

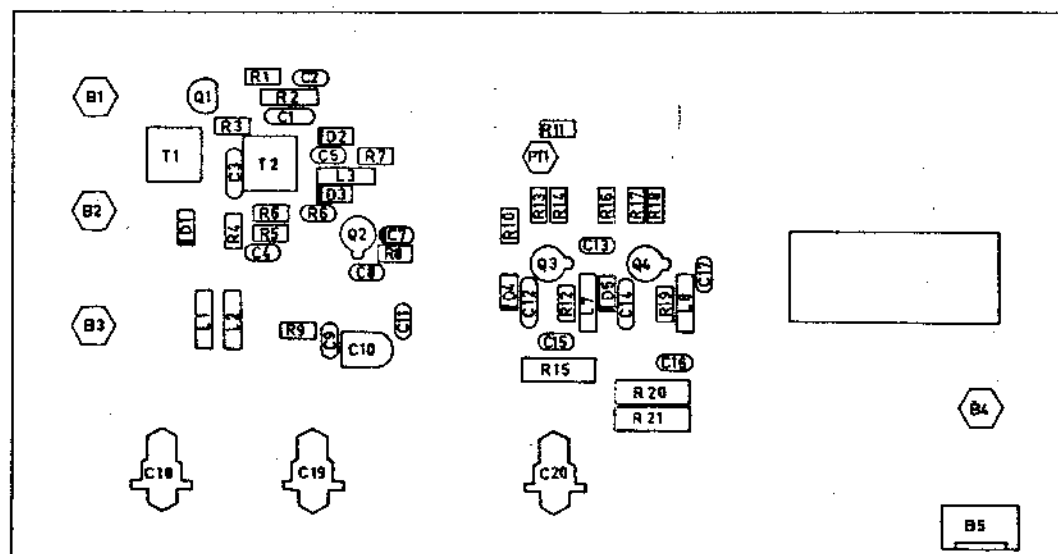
| REPERE INDEXE | REF. ADRET PART NUMBER | DESCRIPTION                    | PART DESCRIPTION                         | FOURNISSEUR/PLAN SUPPLIER/DRAWING | QTE QTY |
|---------------|------------------------|--------------------------------|--|-----------------------------------|---------|
| B -001        | 1404024700             | EMBASE MALE 4POINTS 22-27-2041 | * MALE SOCKET 4POINTS 22-27-2041         | MOLEX                             | 1       |
| B -002        | 1404024700             | EMBASE MALE 4POINTS 22-27-2041 | * MALE SOCKET 4POINTS 22-27-2041         | MOLEX                             | 1       |
| B -004        | 0205350000             | 01 NATTE 26'177''171'L310 740A | * 01 FLAT-TOP 26'177''171' 740A A94..... |                                   | 1       |
| B -008        | 1404024700             | EMBASE MALE 4POINTS 22-27-2041 | * MALE SOCKET 4POINTS 22-27-2041         | MOLEX                             | 1       |
| C -001        | 3150042200             | 0,22MMF 5 50V20% 3439050 E224M | * 0,22MMF 5 50V20% 3439050 E224M         | AUX                               | 1       |
| C -002        | 3150042200             | 0,22MMF 5 50V20% 3439050 E224M | * 0,22MMF 5 50V20% 3439050 E224M         | AUX                               | 1       |
| C -003        | 3700180000             | 22MMF/16V 5,08 ... STAND L TAG | * 22MMF/16V 5,08 ... STAND L TAG         | STC                               | 1       |
| C -004        | 3150042200             | 0,22MMF 5 50V20% 3439050 E224M | * 0,22MMF 5 50V20% 3439050 E224M         | AUX                               | 1       |
| C -005        | 3150042200             | 0,22MMF 5 50V20% 3439050 E224M | * 0,22MMF 5 50V20% 3439050 E224M         | AUX                               | 1       |
| C -006        | 3700180000             | 22MMF/16V 5,08 ... STAND L TAG | * 22MMF/16V 5,08 ... STAND L TAG         | STC                               | 1       |
| C -007        | 3150042200             | 0,22MMF 5 50V20% 3439050 E224M | * 0,22MMF 5 50V20% 3439050 E224M         | AUX                               | 1       |
| C -008        | 3700180000             | 22MMF/16V 5,08 ... STAND L TAG | * 22MMF/16V 5,08 ... STAND L TAG         | STC                               | 1       |
| C -009        | 3234470300             | 0,47MMF 5,08 10% IRD807        | * 0,47MMF 5,08 10% IRD807                | LCC                               | 1       |
| C -010        | 3120011000             | 100PF 2,5 'N10'2222 680 58 101 | * 100PF 2,5 'N10'2222 680 58 101         | COGECO                            | 1       |
| C -011        | 3234470300             | 0,47MMF 5,08 10% IRD807        | * 0,47MMF 5,08 10% IRD807                | LCC                               | 1       |
| C -012        | 3150031000             | 10NF 5,08 63V GOX 767 14       | * 10NF 5,08 63V GOX 767 14               | LCC                               | 1       |
| C -013        | 3234100400             | 0,1 MMF 5,08 10% IRD607        | * 0,1 MMF 5,08 10% IRD607                | LCC                               | 1       |
| C -014        | 3120012200             | 220PF 2,5 'N22'2222 680 58 221 | * 220PF 2,5 'N22'2222 680 58 221         | COGECO                            | 1       |
| C -015        | 3234100400             | 0,1 MMF 5,08 10% IRD607        | * 0,1 MMF 5,08 10% IRD607                | LCC                               | 1       |
| C -016        | 3232330300             | 3300PF 5,08 10% IRD607         | * 3300PF 5,08 10% IRD607                 | LCC                               | 1       |
| D -001        | 4000320000             | LED 3,17 JAUNE ..... HLMP-1401 | * YELLOW 3.17 LED ..... HLMP-1401        | HP                                | 1       |
| D -002        | 4000160000             | LD 3,17 ROUGE ..... HLMP 1002  | * RED 3.17 LED ..... HLMP 1002           | HP                                | 1       |
| D -003        | 4000160000             | LD 3,17 ROUGE ..... HLMP 1002  | * RED 3.17 LED ..... HLMP 1002           | HP                                | 1       |
| D -004        | 4000160000             | LD 3,17 ROUGE ..... HLMP 1002  | * RED 3.17 LED ..... HLMP 1002           | HP                                | 1       |
| D -005        | 4000160000             | LD 3,17 ROUGE ..... HLMP 1002  | * RED 3.17 LED ..... HLMP 1002           | HP                                | 1       |
| D -006        | 4000160000             | LD 3,17 ROUGE ..... HLMP 1002  | * RED 3.17 LED ..... HLMP 1002           | HP                                | 1       |
| D -007        | 4000160000             | LD 3,17 ROUGE ..... HLMP 1002  | * RED 3.17 LED ..... HLMP 1002           | HP                                | 1       |
| D -008        | 4000160000             | LD 3,17 ROUGE ..... HLMP 1002  | * RED 3.17 LED ..... HLMP 1002           | HP                                | 1       |
| D -009        | 4000160000             | LD 3,17 ROUGE ..... HLMP 1002  | * RED 3.17 LED ..... HLMP 1002           | HP                                | 1       |
| D -010        | 4000160000             | LD 3,17 ROUGE ..... HLMP 1002  | * RED 3.17 LED ..... HLMP 1002           | HP                                | 1       |
| D -011        | 4000160000             | LD 3,17 ROUGE ..... HLMP 1002  | * RED 3.17 LED ..... HLMP 1002           | HP                                | 1       |
| D -012        | 4000160000             | LD 3,17 ROUGE ..... HLMP 1002  | * RED 3.17 LED ..... HLMP 1002           | HP                                | 1       |
| D -013        | 4000160000             | LD 3,17 ROUGE ..... HLMP 1002  | * RED 3.17 LED ..... HLMP 1002           | HP                                | 1       |
| D -014        | 4000160000             | LD 3,17 ROUGE ..... HLMP 1002  | * RED 3.17 LED ..... HLMP 1002           | HP                                | 1       |
| D -015        | 4000310000             | LED 3,17 VERT ..... HLMP-1503  | * GREEN 3.17 LED ..... HLMP-1503         | HP                                | 1       |
| D -016        | 4000320000             | LED 3,17 JAUNE ..... HLMP-1401 | * YELLOW 3.17 LED ..... HLMP-1401        | HP                                | 1       |
| D -017        | 4000160000             | LD 3,17 ROUGE ..... HLMP 1002  | * RED 3.17 LED ..... HLMP 1002           | HP                                | 1       |
| D -018        | 4000160000             | LD 3,17 ROUGE ..... HLMP 1002  | * RED 3.17 LED ..... HLMP 1002           | HP                                | 1       |
| D -019        | 4000160000             | LD 3,17 ROUGE ..... HLMP 1002  | * RED 3.17 LED ..... HLMP 1002           | HP                                | 1       |
| D -020        | 4000160000             | LD 3,17 ROUGE ..... HLMP 1002  | * RED 3.17 LED ..... HLMP 1002           | HP                                | 1       |
| D -021        | 4000160000             | LD 3,17 ROUGE ..... HLMP 1002  | * RED 3.17 LED ..... HLMP 1002           | HP                                | 1       |
| D -022        | 4000160000             | LD 3,17 ROUGE ..... HLMP 1002  | * RED 3.17 LED ..... HLMP 1002           | HP                                | 1       |
| D -023        | 4000160000             | LD 3,17 ROUGE ..... HLMP 1002  | * RED 3.17 LED ..... HLMP 1002           | HP                                | 1       |
| D -024        | 4000160000             | LD 3,17 ROUGE ..... HLMP 1002  | * RED 3.17 LED ..... HLMP 1002           | HP                                | 1       |
| D -025        | 4000160000             | LD 3,17 ROUGE ..... HLMP 1002  | * RED 3.17 LED ..... HLMP 1002           | HP                                | 1       |
| D -026        | 4000160000             | LD 3,17 ROUGE ..... HLMP 1002  | * RED 3.17 LED ..... HLMP 1002           | HP                                | 1       |
| D -027        | 4000160000             | LD 3,17 ROUGE ..... HLMP 1002  | * RED 3.17 LED ..... HLMP 1002           | HP                                | 1       |
| D -028        | 4000160000             | LD 3,17 ROUGE ..... HLMP 1002  | * RED 3.17 LED ..... HLMP 1002           | HP                                | 1       |
| D -029        | 4000160000             | LD 3,17 ROUGE ..... HLMP 1002  | * RED 3.17 LED ..... HLMP 1002           | HP                                | 1       |
| D -030        | 4000160000             | LD 3,17 ROUGE ..... HLMP 1002  | * RED 3.17 LED ..... HLMP 1002           | HP                                | 1       |
| D -031        | 4500310000             | 1 N 4448                       | * 1 N 4448                               | ITT                               | 1       |
| D -032        | 4500310000             | 1 N 4448                       | * 1 N 4448                               | ITT                               | 1       |
| D -033        | 4500310000             | 1 N 4448                       | * 1 N 4448                               | ITT                               | 1       |
| D -034        | 4500310000             | 1 N 4448                       | * 1 N 4448                               | ITT                               | 1       |
| D -035        | 4500310000             | 1 N 4448                       | * 1 N 4448                               | ITT                               | 1       |
| D -036        | 4500310000             | 1 N 4448                       | * 1 N 4448                               | ITT                               | 1       |
| D -037        | 4500310000             | 1 N 4448                       | * 1 N 4448                               | ITT                               | 1       |
| D -038        | 4500310000             | 1 N 4448                       | * 1 N 4448                               | ITT                               | 1       |
| K -001        | 1530216700             | POUSSOIR MICRO... REF 8631-C-B | * PUSH BUTTON ..... REF 8631-C-B         | C&K                               | 1       |
| Q -001        | 4300150000             | MPS 2369                       | * MPS 2369                               | MOTOROLA                          | 1       |
| Q -002        | 4300190000             | BC550C /414C/413C/549C(BC184C) | * BC550C /414C/413C/549C(BC184C)         | RTC                               | 1       |
| Q -003        | 4300580000             | BC 337-25 TO 92 ..... (2N2222) | * BC 337-25 TO 92 ..... (2N2222)         | ITT                               | 1       |
| Q -004        | 4300580000             | BC 337-25 TO 92 ..... (2N2222) | * BC 337-25 TO 92 ..... (2N2222)         | ITT                               | 1       |
| Q -005        | 4300580000             | BC 337-25 TO 92 ..... (2N2222) | * BC 337-25 TO 92 ..... (2N2222)         | ITT                               | 1       |
| R -001        | 2210013300             | 330R 5% N4                     | * 330R 5% N4                             | SOVCOR                            | 1       |
| R -002        | 2210013300             | 330R 5% N4                     | * 330R 5% N4                             | SOVCOR                            | 1       |
| R -003        | 2210013300             | 330R 5% N4                     | * 330R 5% N4                             | SOVCOR                            | 1       |
| R -004        | 2210013300             | 330R 5% N4                     | * 330R 5% N4                             | SOVCOR                            | 1       |
| R -005        | 2210013300             | 330R 5% N4                     | * 330R 5% N4                             | SOVCOR                            | 1       |
| R -006        | 2210013300             | 330R 5% N4                     | * 330R 5% N4                             | SOVCOR                            | 1       |
| R -007        | 2210043300             | 330K 5% N4                     | * 330K 5% N4                             | SOVCOR                            | 1       |
| R -008        | 2210018200             | 820R 5% N4                     | * 820R 5% N4                             | SOVCOR                            | 1       |
| R -009        | 2210013300             | 330R 5% N4                     | * 330R 5% N4                             | SOVCOR                            | 1       |
| R -010        | 2210013300             | 330R 5% N4                     | * 330R 5% N4                             | SOVCOR                            | 1       |
| R -011        | 2210013300             | 330R 5% N4                     | * 330R 5% N4                             | SOVCOR                            | 1       |
| R -012        | 2210013300             | 330R 5% N4                     | * 330R 5% N4                             | SOVCOR                            | 1       |
| R -013        | 2210013300             | 330R 5% N4                     | * 330R 5% N4                             | SOVCOR                            | 1       |
| R -014        | 2210011500             | 150R 5% N4                     | * 150R 5% N4                             | SOVCOR                            | 1       |
| R -015        | 2210012200             | 220R 5% N4                     | * 220R 5% N4                             | SOVCOR                            | 1       |



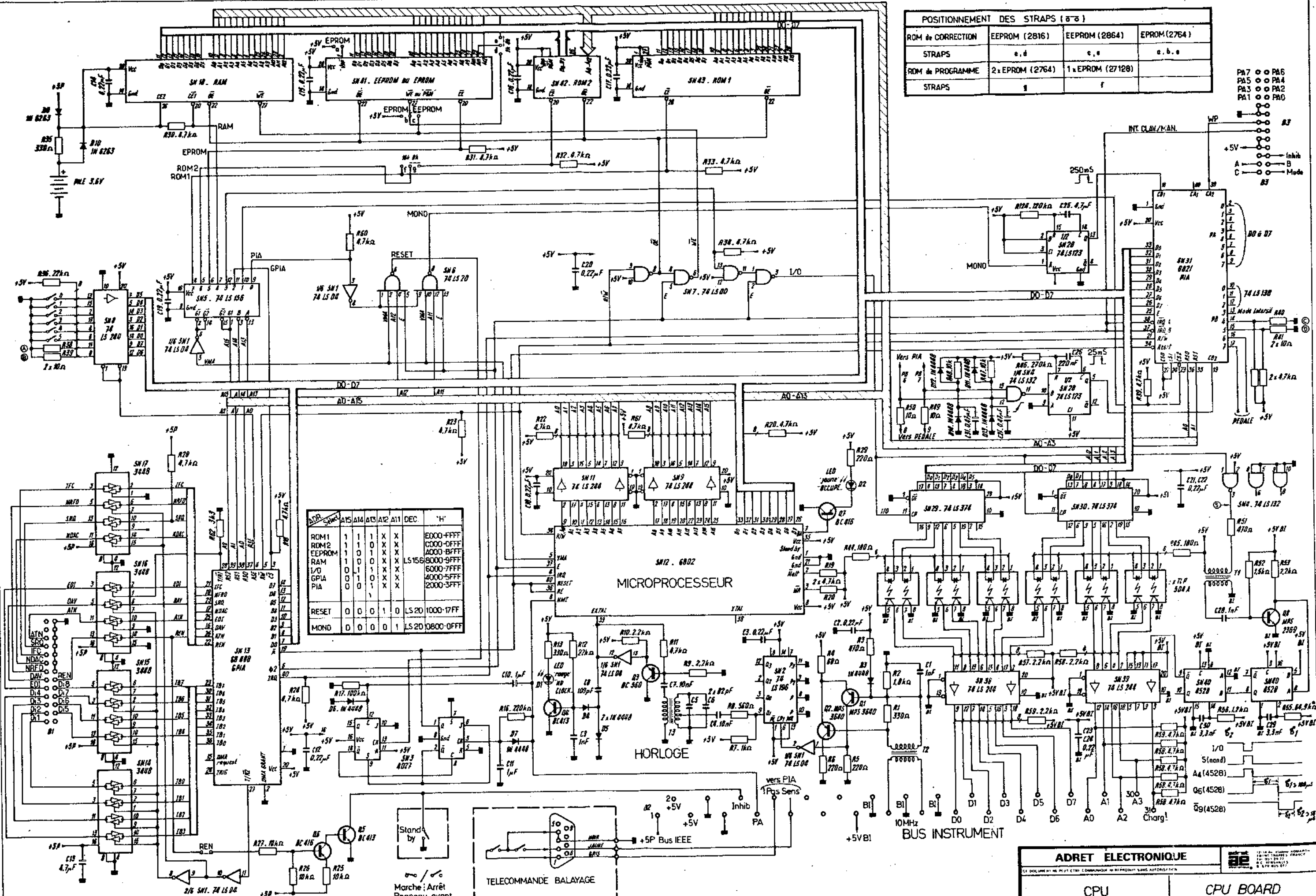
| REPERE INDEXE | REF. ADRET PART NUMBER | DESCRIPTION                    | PART DESCRIPTION                 | FOURNISSEUR/PLAN SUPPLIER/DRAWING | QTE QTY |
|---------------|------------------------|--------------------------------|----------------------------------|-----------------------------------|---------|
| R -016        | 2210013300             | 330R                           | 5% N4 * 330R                     | 5% N4 SOUCOR                      | 1       |
| R -017        | 2210031000             | 10K                            | 5% N4 * 10K                      | 5% N4 SOUCOR                      | 1       |
| R -018        | 2210031000             | 10K                            | 5% N4 * 10K                      | 5% N4 SOUCOR                      | 1       |
| R -019        | 2210016800             | 680R                           | 5% N4 * 680R                     | 5% N4 SOUCOR                      | 1       |
| R -020        | 2210013300             | 330R                           | 5% N4 * 330R                     | 5% N4 SOUCOR                      | 1       |
| R -021        | 2210024700             | 4K7                            | 5% N4 * 4K7                      | 5% N4 SOUCOR                      | 1       |
| R -022        | 2210031000             | 10K                            | 5% N4 * 10K                      | 5% N4 SOUCOR                      | 1       |
| R -023        | 2210031000             | 10K                            | 5% N4 * 10K                      | 5% N4 SOUCOR                      | 1       |
| R -024        | 2210031000             | 10K                            | 5% N4 * 10K                      | 5% N4 SOUCOR                      | 1       |
| R -025        | 2210041000             | 100K                           | 5% N4 * 100K                     | 5% N4 SOUCOR                      | 1       |
| R -026        | 2610932200             | 9X22K 2%                       | 4310R-101-223 9X22K 2%           | 4310R-101-223 BOURNS              | 1       |
| R -027        | 2200052200             | 2M2 5%                         | 5% CB * 2M2 5%                   | 5% CB ALLEN BRADLEY               | 1       |
| R -028        | 2200054700             | 4M7                            | 5% CB * 4M7                      | 5% CB ALLEN BRADLEY               | 1       |
| R -029        | 2210051000             | 1M                             | 5% N4 * 1M                       | 5% N4 SOUCOR                      | 1       |
| R -030        | 2210051000             | 1M                             | 5% N4 * 1M                       | 5% N4 SOUCOR                      | 1       |
| R -031        | 2210021000             | 1K0                            | 5% N4 * 1K0                      | 5% N4 SOUCOR                      | 1       |
| R -032        | 2210041000             | 100K                           | 5% N4 * 100K                     | 5% N4 SOUCOR                      | 1       |
| R -033        | 2210041000             | 100K                           | 5% N4 * 100K                     | 5% N4 SOUCOR                      | 1       |
| R -034        | 2210041200             | 120K                           | 5% N4 * 120K                     | 5% N4 SOUCOR                      | 1       |
| R -035        | 2210024700             | 4K7                            | 5% N4 * 4K7                      | 5% N4 SOUCOR                      | 1       |
| R -036        | 2210013300             | 330R                           | 5% N4 * 330R                     | 5% N4 SOUCOR                      | 1       |
| R -037        | 2210013300             | 330R                           | 5% N4 * 330R                     | 5% N4 SOUCOR                      | 1       |
| R -038        | 2210011500             | 150R                           | 5% N4 * 150R                     | 5% N4 SOUCOR                      | 1       |
| R -039        | 2210011000             | 100R                           | 5% N4 * 100R                     | 5% N4 SOUCOR                      | 1       |
| R -040        | 2210031000             | 10K                            | 5% N4 * 10K                      | 5% N4 SOUCOR                      | 1       |
| SN -001       | 4157413800             | SN 74 LS 138 N 3               | SN 74 LS 138 N 3                 | TEXAS                             | 1       |
| SN -002       | 4157437400             | SN 74 LS 374 N 3               | SN 74 LS 374 N 3                 | TEXAS                             | 1       |
| SN -003       | 4157437400             | SN 74 LS 374 N 3               | SN 74 LS 374 N 3                 | TEXAS                             | 1       |
| SN -004       | 4157437400             | SN 74 LS 374 N 3               | SN 74 LS 374 N 3                 | TEXAS                             | 1       |
| SN -005       | 4157424400             | SN 74 LS 244 N 3               | SN 74 LS 244 N 3                 | TEXAS                             | 1       |
| SN -006       | 4157413800             | SN 74 LS 138 N 3               | SN 74 LS 138 N 3                 | TEXAS                             | 1       |
| SN -007       | 4157413800             | SN 74 LS 138 N 3               | SN 74 LS 138 N 3                 | TEXAS                             | 1       |
| SN -008       | 4157413900             | SN 74 LS 139 N 3               | SN 74 LS 139 N 3                 | TEXAS                             | 1       |
| SN -009       | 4157413900             | SN 74 LS 139 N 3               | SN 74 LS 139 N 3                 | TEXAS                             | 1       |
| SN -010       | 4167218100             | C-MOS ICM 7218 AIJI            | C-MOS ICM 7218 AIJI              | INTERFIL                          | 1       |
| SN -011       | 4167218100             | C-MOS ICM 7218 AIJI            | C-MOS ICM 7218 AIJI              | INTERFIL                          | 1       |
| SN -012       | 4160402800             | C-MOS 4028                     | C-MOS 4028                       | RTC                               | 1       |
| SN -013       | 4160452000             | C-MOS 4520                     | C-MOS 4520                       | RTC                               | 1       |
| SN -014       | 4160453200             | C-MOS 4532 BP                  | C-MOS 4532 BP                    | FAIRCHILD                         | 1       |
| SN -015       | 4160400100             | C-MOS 4001                     | C-MOS 4001                       | RTC                               | 1       |
| SN -016       | 4160402700             | C-MOS 4027                     | C-MOS 4027                       | RTC                               | 1       |
| SN -017       | 4000280000             | AFFICHEUR 0a9 HDSP 5540(F&G)   | DISPLAYER 0/9 HDSP 5540(F&G)     | HP                                | 1       |
| SN -018       | 4000280000             | AFFICHEUR 0a9 HDSP 5540(F&G)   | DISPLAYER 0/9 HDSP 5540(F&G)     | HP                                | 1       |
| SN -019       | 4000280000             | AFFICHEUR 0a9 HDSP 5540(F&G)   | DISPLAYER 0/9 HDSP 5540(F&G)     | HP                                | 1       |
| SN -020       | 4000280000             | AFFICHEUR 0a9 HDSP 5540(F&G)   | DISPLAYER 0/9 HDSP 5540(F&G)     | HP                                | 1       |
| SN -021       | 4000280000             | AFFICHEUR 0a9 HDSP 5540(F&G)   | DISPLAYER 0/9 HDSP 5540(F&G)     | HP                                | 1       |
| SN -022       | 4000280000             | AFFICHEUR 0a9 HDSP 5540(F&G)   | DISPLAYER 0/9 HDSP 5540(F&G)     | HP                                | 1       |
| SN -023       | 4000280000             | AFFICHEUR 0a9 HDSP 5540(F&G)   | DISPLAYER 0/9 HDSP 5540(F&G)     | HP                                | 1       |
| SN -024       | 4000280000             | AFFICHEUR 0a9 HDSP 5540(F&G)   | DISPLAYER 0/9 HDSP 5540(F&G)     | HP                                | 1       |
| SN -025       | 4000280000             | AFFICHEUR 0a9 HDSP 5540(F&G)   | DISPLAYER 0/9 HDSP 5540(F&G)     | HP                                | 1       |
| SN -026       | 4000280000             | AFFICHEUR 0a9 HDSP 5540(F&G)   | DISPLAYER 0/9 HDSP 5540(F&G)     | HP                                | 1       |
| SN -027       | 4000280000             | AFFICHEUR 0a9 HDSP 5540(F&G)   | DISPLAYER 0/9 HDSP 5540(F&G)     | HP                                | 1       |
| SN -028       | 4000280000             | AFFICHEUR 0a9 HDSP 5540(F&G)   | DISPLAYER 0/9 HDSP 5540(F&G)     | HP                                | 1       |
| SN -029       | 4000280000             | AFFICHEUR 0a9 HDSP 5540(F&G)   | DISPLAYER 0/9 HDSP 5540(F&G)     | HP                                | 1       |
| SN -030       | 4000280000             | AFFICHEUR 0a9 HDSP 5540(F&G)   | DISPLAYER 0/9 HDSP 5540(F&G)     | HP                                | 1       |
| SN -031       | 4000290000             | AFFICHEUR +/- 1 HDSP 5544(F&G) | DISPLAYER +/- 1 HDSP 5544(F&G)   | HP                                | 1       |
| SN -032       | 4000280000             | AFFICHEUR 0a9 HDSP 5540(F&G)   | DISPLAYER 0/9 HDSP 5540(F&G)     | HP                                | 1       |
| SN -033       | 4000280000             | AFFICHEUR 0a9 HDSP 5540(F&G)   | DISPLAYER 0/9 HDSP 5540(F&G)     | HP                                | 1       |
| SN -034       | 4000280000             | AFFICHEUR 0a9 HDSP 5540(F&G)   | DISPLAYER 0/9 HDSP 5540(F&G)     | HP                                | 1       |
| SN -035       | 4157437400             | SN 74 LS 374 N 3               | SN 74 LS 374 N 3                 | TEXAS                             | 1       |
| Z1            | 1277340100             | CI AFFICHAGE ..... 730A/740A   | DISPLAY PC ..... 740A C39.....TM |                                   | 1       |
| Z1            | 1550810100             | 16X8 GRIS CLAIR ... 6450-0001  | 16X8 BRIGHT GREY .. 6450-0001    | MARQUART                          | 12      |
| Z1            | 1550830100             | 08X16 GRIS FONCE ... 6450-0003 | 08X16 DARK GREY .... 6450-0003   | MARQUART                          | 6       |
| Z1            | 1550850100             | 08X16 ANTHRACITE ... 6450-0005 | 08X16 ANTHRACITE ... 6450-0005   | MARQUART                          | 3       |
| Z1            | 1551600000             | CORPS TOUCHE 16X16 6420-0101   | CORPS TOUCHE 16X16 6420-0101     | MARQUART                          | 12      |
| Z1            | 1551615100             | CABOCHON G/C 826-000-031       | CABOCHON G/C 826-000-031         | MARQUART                          | 2       |
| Z1            | 1551630100             | 16X16 GR/FONCE '1' 6401-0013   | 16X16 DARK GREY '1' 6401-0013    | MARQUART                          | 1       |
| Z1            | 1551630200             | 16X16 GR/FONCE '2' 6401-0023   | 16X16 DARK GREY '2' 6401-0023    | MARQUART                          | 1       |
| Z1            | 1551630300             | 16X16 GR/FONCE '3' 6401-0033   | 16X16 DARK GREY '3' 6401-0033    | MARQUART                          | 1       |
| Z1            | 1551635400             | CABOCHON G/F 826-004-021 '4'   | CABOCHON G/F 826-004-021 '4'     | MARQUART                          | 1       |
| Z1            | 1551635500             | CABOCHON G/F 826-005-021 '5'   | CABOCHON G/F 826-005-021 '5'     | MARQUART                          | 1       |
| Z1            | 1551635600             | CABOCHON G/F 826-00-021 '6'    | CABOCHON G/F 826-00-021 '6'      | MARQUART                          | 1       |
| Z1            | 1551635700             | CABOCHON G/F 826-007-021 '7'   | CABOCHON G/F 826-007-021 '7'     | MARQUART                          | 1       |
| Z1            | 1551635800             | CABOCHON G/F 826-008-021 '8'   | CABOCHON G/F 826-008-021 '8'     | MARQUART                          | 1       |
| Z1            | 1551635900             | CABOCHON G/F 826-009-021 '9'   | CABOCHON G/F 826-009-021 '9'     | MARQUART                          | 1       |
| Z1            | 1551636000             | CABOCHON G/F 826-010-021 '0'   | CABOCHON G/F 826-010-021 '0'     | MARQUART                          | 1       |
| Z1            | 1551636100             | CABOCHON G/F 826-011-021       | CABOCHON G/F 826-011-021         | MARQUART                          | 1       |
| Z1            | 1551637400             | CABOCHON G/F 826-063-021 'M'   | CABOCHON G/F 826-063-021 'M'     | MARQUART                          | 1       |
| Z1            | 1551637500             | CABOCHON G/F 825-068-021 'R'   | CABOCHON G/F 825-068-021 'R'     | MARQUART                          | 1       |

| REPERE<br>INDEXE | REF. ADRET<br>PART NUMBER | DESCRIPTION                | PART DESCRIPTION               | FOURNISSEUR/PLAN<br>SUPPLIER/DRAWING | QTE<br>QTY |
|------------------|---------------------------|----------------------------|--------------------------------|--------------------------------------|------------|
| Z1               | 1551650400 16X16          | ANTHRACITE'INC'6401-1825 * | 16X16 ANTHRACITE'INC'6401-1825 | MARQUART                             | 1          |
| Z1               | 1553250200 16X32          | ANT.'FREQ RF' 6405-2705 *  | 16X32 ANT.'FREQ RF' 6405-2705  | MARQUART                             | 1          |
| Z1               | 1553250300 16X32          | ANT.'AMPL RF' 6405-2695 *  | 16X32 ANT.'AMPL RF' 6405-2695  | MARQUART                             | 1          |
| Z1               | 1554850200 16X48          | ANT.'EXECUTE' 6405-3715 *  | 16X48 ANT.'EXECUTE' 6405-3715  | MARQUART                             | 1          |





| REPERE INDEXE | REF. ADRET PART NUMBER | DESCRIPTION                     | PART DESCRIPTION                | FOURNISSEUR/PLAN SUPPLIER/DRAWING | QTE QTY |
|---------------|------------------------|---------------------------------|---------------------------------|-----------------------------------|---------|
| B -001        | 1400217300             | KMU10 EMBASE MALE FIXAT. AVANT  | KMU10 MALE SOCKET FRONT ANCHOR  | SEALCTRO                          | 1       |
| B -002        | 1400217300             | KMU10 EMBASE MALE FIXAT. AVANT  | KMU10 MALE SOCKET FRONT ANCHOR  | SEALCTRO                          | 1       |
| B -003        | 1400217300             | KMU10 EMBASE MALE FIXAT. AVANT  | KMU10 MALE SOCKET FRONT ANCHOR  | SEALCTRO                          | 1       |
| B -004        | 1400217300             | KMU10 EMBASE MALE FIXAT. AVANT  | KMU10 MALE SOCKET FRONT ANCHOR  | SEALCTRO                          | 1       |
| B -005        | 1404024700             | EMBASE MALE 4POINTS 22-27-2041  | MALE SOCKET 4POINTS 22-27-2041  | MOLEX                             | 1       |
| C -001        | 3150042200             | 0,22MMF 5 50V20% 3439050 E224M  | 0,22MMF 5 50V20% 3439050 E224M  | AUX                               | 1       |
| C -002        | 3120021000             | 1 NF 2,5 2222 630 51 102        | 1 NF 2,5 2222 630 51 102        | COGECO                            | 1       |
| C -003        | 3150042200             | 0,22MMF 5 50V20% 3439050 E224M  | 0,22MMF 5 50V20% 3439050 E224M  | AUX                               | 1       |
| C -004        | 3120021000             | 1 NF 2,5 2222 630 51 102        | 1 NF 2,5 2222 630 51 102        | COGECO                            | 1       |
| C -005        | 3120008200             | 82PF 2,5 2222 680 10 829        | 82PF 2,5 2222 680 10 829        | COGECO                            | 1       |
| C -006        | 3120008200             | 82PF 2,5 2222 680 10 829        | 82PF 2,5 2222 680 10 829        | COGECO                            | 1       |
| C -007        | 3810021000             | CHIPS 1 NF 10% 63V SNPB CEC 2E  | CHIPS 1 NF 10% 63V SNPB CEC 2E  | EUROFARAD                         | 1       |
| C -008        | 3120091000             | 1 PF 2,5 T 2222 680 03 108      | 1 PF 2,5 T 2222 680 03 108      | COGECO                            | 1       |
| C -009        | 3810021000             | CHIPS 1 NF 10% 63V SNPB CEC 2E  | CHIPS 1 NF 10% 63V SNPB CEC 2E  | EUROFARAD                         | 1       |
| C -010        | 3600120000             | 4/20 PF ...REF C010 808 23209   | 4/20 PF ...REF C010 808 23209   | RTC(C010)                         | 1       |
| C -011        | 3120021000             | 1 NF 2,5 2222 630 51 102        | 1 NF 2,5 2222 630 51 102        | COGECO                            | 1       |
| C -012        | 3150042200             | 0,22MMF 5 50V20% 3439050 E224M  | 0,22MMF 5 50V20% 3439050 E224M  | AUX                               | 1       |
| C -013        | 3120021000             | 1 NF 2,5 2222 630 51 102        | 1 NF 2,5 2222 630 51 102        | COGECO                            | 1       |
| C -014        | 3150042200             | 0,22MMF 5 50V20% 3439050 E224M  | 0,22MMF 5 50V20% 3439050 E224M  | AUX                               | 1       |
| C -015        | 3120021000             | 1 NF 2,5 2222 630 51 102        | 1 NF 2,5 2222 630 51 102        | COGECO                            | 1       |
| C -016        | 3120021000             | 1 NF 2,5 2222 630 51 102        | 1 NF 2,5 2222 630 51 102        | COGECO                            | 1       |
| C -017        | 3120021000             | 1 NF 2,5 2222 630 51 102        | 1 NF 2,5 2222 630 51 102        | COGECO                            | 1       |
| C -018        | 3100610000             | FILTRE TRAVER ECROU B85313AB7   | NUT PINCH FILTER ... B85313AB7  | SIEMENS                           | 1       |
| C -019        | 3100610000             | FILTRE TRAVER ECROU B85313AB7   | NUT PINCH FILTER ... B85313AB7  | SIEMENS                           | 1       |
| C -020        | 3100610000             | FILTRE TRAVER ECROU B85313AB7   | NUT PINCH FILTER ... B85313AB7  | SIEMENS                           | 1       |
| D -001        | 4500560000             | BAT 19 ..... 'APRES TRI'        | BAT 19 ..... 'AFTER SORT'       | THOMSON                           | 1       |
| D -002        | 4500560000             | BAT 19 ..... 'APRES TRI'        | BAT 19 ..... 'AFTER SORT'       | THOMSON                           | 1       |
| D -003        | 4500560000             | BAT 19 ..... 'APRES TRI'        | BAT 19 ..... 'AFTER SORT'       | THOMSON                           | 1       |
| D -004        | 4600030000             | ZPDS,1                          | ZPDS,1                          | ITT                               | 1       |
| D -005        | 4600030000             | ZPDS,1                          | ZPDS,1                          | ITT                               | 1       |
| L -001        | 0219720000             | 00 SELF 20MMH .....(EX 530336)  | 00 SELF 20MMH .....(EX 530336)  | ADRET                             | 1       |
| L -002        | 0219720000             | 00 SELF 20MMH .....(EX 530336)  | 00 SELF 20MMH .....(EX 530336)  | ADRET                             | 1       |
| L -003        | 5300340000             | 10MMH ORE 53846 DEL 1025-44     | 10MMH ORE 53846 DEL 1025-44     | OREGA DELEVAN                     | 1       |
| L -007        | 5300220000             | 1,0MMH ORE 53822 DEL 1025-20    | 1,0MMH ORE 53822 DEL 1025-20    | OREGA DELEVAN                     | 1       |
| L -008        | 5300220000             | 1,0MMH ORE 53822 DEL 1025-20    | 1,0MMH ORE 53822 DEL 1025-20    | OREGA DELEVAN                     | 1       |
| Q -001        | 4300720000             | BFY 90                          | BFY 90                          | RTC                               | 1       |
| Q -002        | 4300280000             | BFR 91 POINT ROUGE C.ENTREE     | BFR 91 INPUT CHECK RED POINT    | RTC                               | 1       |
| Q -003        | 4300270000             | BFR 96 POINT ORANGE C.ENTREE    | BFR96 INPUT CHECK ORANGE POINT  | RTC                               | 1       |
| Q -004        | 4300750000             | BFQ 34T                         | BFQ 34T                         | RTC                               | 1       |
| R -001        | 2905005600             | 56R 5,08 CC 5% NK3              | 56R 5,08 CC 5% NK3              | SOUCOR                            | 1       |
| R -002        | 2210021500             | 1K5 5% N4                       | 1K5 5% N4                       | SOUCOR                            | 1       |
| R -003        | 2905004700             | 47R 5,08 CC 5% NK3              | 47R 5,08 CC 5% NK3              | SOUCOR                            | 1       |
| R -004        | 2905012200             | 220R 5,08 CC 5% NK3             | 220R 5,08 CC 5% NK3             | SOUCOR                            | 1       |
| R -005        | 2905031000             | 10K 5,08 CC 5% NK3              | 10K 5,08 CC 5% NK3              | SOUCOR                            | 1       |
| R -006        | 2905022700             | 2K7 5,08 CC 5% NK3              | 2K7 5,08 CC 5% NK3              | SOUCOR                            | 1       |
| R -007        | 2905011500             | 150R 5,08 CC 5% NK3             | 150R 5,08 CC 5% NK3             | SOUCOR                            | 1       |
| R -008        | 2905013300             | 330R 5,08 CC 5% NK3             | 330R 5,08 CC 5% NK3             | SOUCOR                            | 1       |
| R -009        | 2905018200             | 820R 5,08 CC 5% NK3             | 820R 5,08 CC 5% NK3             | SOUCOR                            | 1       |
| R -010        | 2905016800             | 680R 5,08 CC 5% NK3             | 680R 5,08 CC 5% NK3             | SOUCOR                            | 1       |
| R -011        | 2905005100             | 51R 5,08 CC 5% NK3              | 51R 5,08 CC 5% NK3              | SOUCOR                            | 1       |
| R -012        | 2905012700             | 270R 5,08 CC 5% NK3             | 270R 5,08 CC 5% NK3             | SOUCOR                            | 1       |
| R -013        | 2905001800             | 18R 5,08 CC 5% NK3              | 18R 5,08 CC 5% NK3              | SOUCOR                            | 1       |
| R -014        | 2905001800             | 18R 5,08 CC 5% NK3              | 18R 5,08 CC 5% NK3              | SOUCOR                            | 1       |
| R -015        | 2400011800             | 180R 5% N5                      | 180R 5% N5                      | SOUCOR                            | 1       |
| R -016        | 2905014700             | 470R 5,08 CC 5% NK3             | 470R 5,08 CC 5% NK3             | SOUCOR                            | 1       |
| R -017        | 2905001000             | 10R 5,08 CC 5% NK3              | 10R 5,08 CC 5% NK3              | SOUCOR                            | 1       |
| R -018        | 2905001000             | 10R 5,08 CC 5% NK3              | 10R 5,08 CC 5% NK3              | SOUCOR                            | 1       |
| R -019        | 2905011800             | 180R 5,08 CC 5% NK3             | 180R 5,08 CC 5% NK3             | SOUCOR                            | 1       |
| R -020        | 2400011800             | 180R 5% N5                      | 180R 5% N5                      | SOUCOR                            | 1       |
| R -021        | 2400011800             | 180R 5% N5                      | 180R 5% N5                      | SOUCOR                            | 1       |
| T -001        | 0219610000             | 00 BOUTON H20 3X15+15 SPIRES    | 00 BUTTON H20 3X15+15 TURNS     | Z94 BH20.....33                   | 1       |
| T -002        | 0219690000             | 00 F40 .....3X1+1 SPIRES        | 00 F40 .....3X1+1 TURNS         | A94 F40.....5                     | 1       |
| Z0            | 0219640000             | 00 CAGE 'L113' TEFLON .... 730A | 00 TEFLON 'L113' ENCLOSURE 730A | ADRET                             | 2       |
| Z1            | 1100600000             | FIL CUIVRE EMAIL SOUD. 60/100E  | THREAD 60/100E                  | ELECTROFIL                        | 0       |
| Z1            | 1276450400             | CI MODULE GENERATION .... 730A  | 00 GENERATION MODULE ... 730A   | E99                               | 1       |
| Z1            | 1400225500             | EMBASE COAXIALE 'TEST' TR 540   | TEST POINT HF ..... TR 540      | TRELEC(A932998)                   | 1       |
| Z5            | 5400050000             | CALE ISOLANTE NEOSID POUR CI    | NEOSID INSULATING QUIN FOR PC   | -940008                           | 1       |
| Z5            | 5500170000             | TORE 481 3,7X1,2X3,5            | TORE 481 3,7X1,2X3,5            | RTC                               | 4       |
| Z6            | 6102131000             | TH M3X10-U NF E27-311-5,6 INOX  | TH M3X10-U NF E27-311-5,6 INOX  | BD                                | 4       |
| Z6            | 6103030800             | TCHC M3X 8 U DIN912-5,6 INOX    | TCHC M3X 8 U DIN912-5,6 INOX    | BD                                | 8       |
| Z6            | 6103031600             | TCHC M3X16 U DIN912-5,6 INOX    | TCHC M3X16 U DIN912-5,6 INOX    | BD                                | 16      |
| Z6            | 6108020600             | ACF 2X6 BOMBEE TAPTITE CRUCIF   | ACF 2X6 BOMBEE TAPTITE CRUCIF   | GAUBIN DAUDE                      | 6       |
| Z6            | 6143031200             | TCHC M3X12 U DIN912-5,6 INOX    | TCHC M3X12 U DIN912-5,6 INOX    | BD                                | 6       |
| Z8            | 8007632600             | VIS DE REGLAGE FILTRE ... 7200A | FILTER ADJUSTMENT SCREW 7200A   | C942820.....                      | 2       |
| Z8            | 8008112400             | COUVERCLE GENERATION 480 730A   | 480 GENERATION COVER .... 730A  | A94.....                          | 1       |
| Z8            | 8008112500             | FOND GENERATION 480 MHZ 730A    | 480MHZ GENERATION BACKGR. 730A  | A94.....                          | 1       |
| Z8            | 8008120700             | CORPS DE FILTRE 2 MODULES 730A  | FILTER BODY 2 MODULES ... 730A  | B94.....                          | 1       |
| Z8            | 8008122600             | PLATINE GENERATION 480MHZ 730A  | 480MHZGENERATION MOUNTING 730A  | A93.....                          | 1       |
| Z8            | 8008122700             | MODULE GENERATION 480MHZ 730A   | 480MHZ GENERATION MODULE 730A   | A93.....                          | 1       |



POSITIONNEMENT DES STRAPS (8'8)

|                   |                  |                   |              |
|-------------------|------------------|-------------------|--------------|
| ROM de CORRECTION | EEPROM (2816)    | EEPROM (2864)     | EPROM (2764) |
| STRAPS            | e, d             | c, e              | a, b, e      |
| ROM de PROGRAMME  | 2 x EPROM (2764) | 1 x EPROM (27128) |              |
| STRAPS            | g                | f                 |              |

- PA7 ○ PA6
- PA5 ○ PA4
- PA3 ○ PA2
- PA1 ○ PA0

| ADRES  | A15 | A14 | A13 | A12 | A11 | DEC             | 'H' |
|--------|-----|-----|-----|-----|-----|-----------------|-----|
| ROM1   | 1   | 1   | 1   | X   | X   | E000-FFFF       |     |
| ROM2   | 1   | 1   | 0   | X   | X   | C000-FFFF       |     |
| EEPROM | 1   | 1   | 0   | X   | X   | A000-BFFF       |     |
| RAM    | 0   | 1   | 0   | X   | X   | 8000-9FFF       |     |
| I/O    | 0   | 1   | 1   | X   | X   | 6000-7FFF       |     |
| PIA    | 0   | 0   | 1   | X   | X   | 4000-5FFF       |     |
| RESET  | 0   | 0   | 0   | 1   | 0   | 1000-17FF       |     |
| MONO   | 0   | 0   | 0   | 0   | 1   | LS20 10B00-0FFF |     |

ADRET ELECTRONIQUE

CPU BOARD

CPU

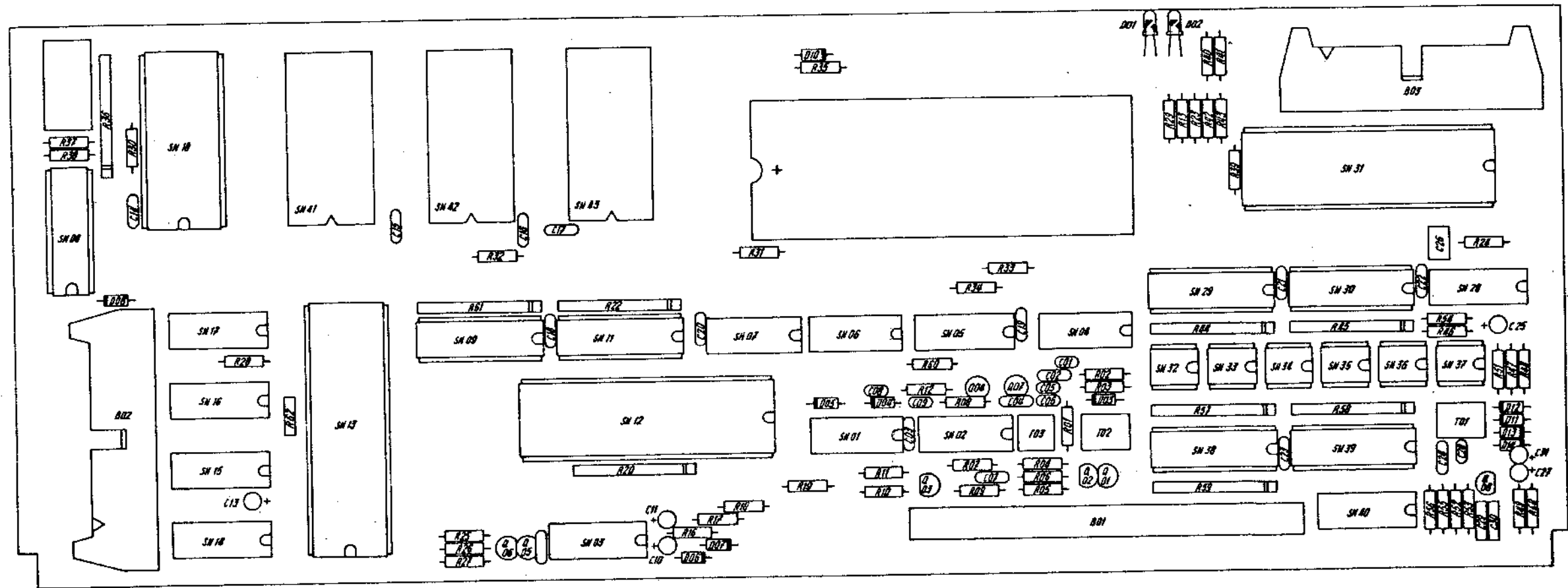
DATE 08 03 85

ETUDE 5

DESIGN 9

NUMERO 1027697000012

910156 A



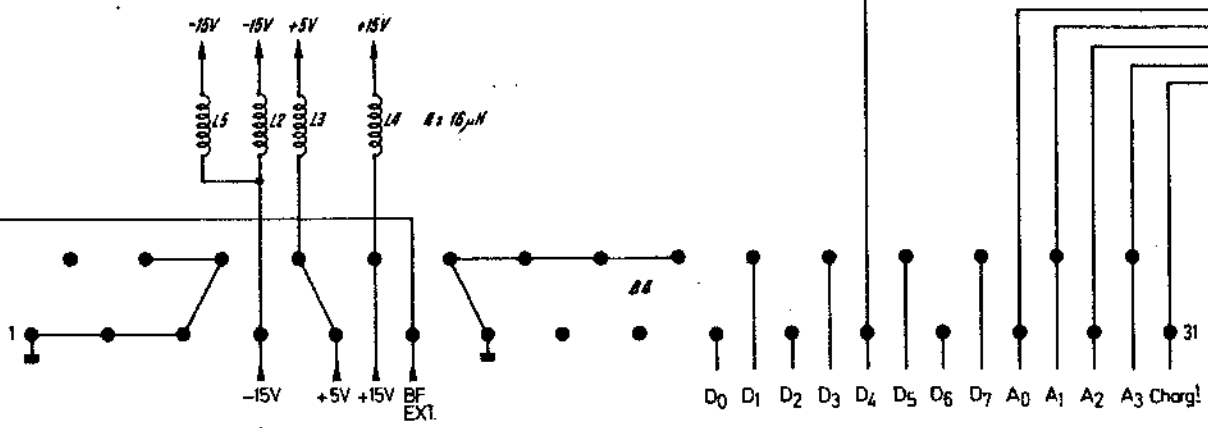
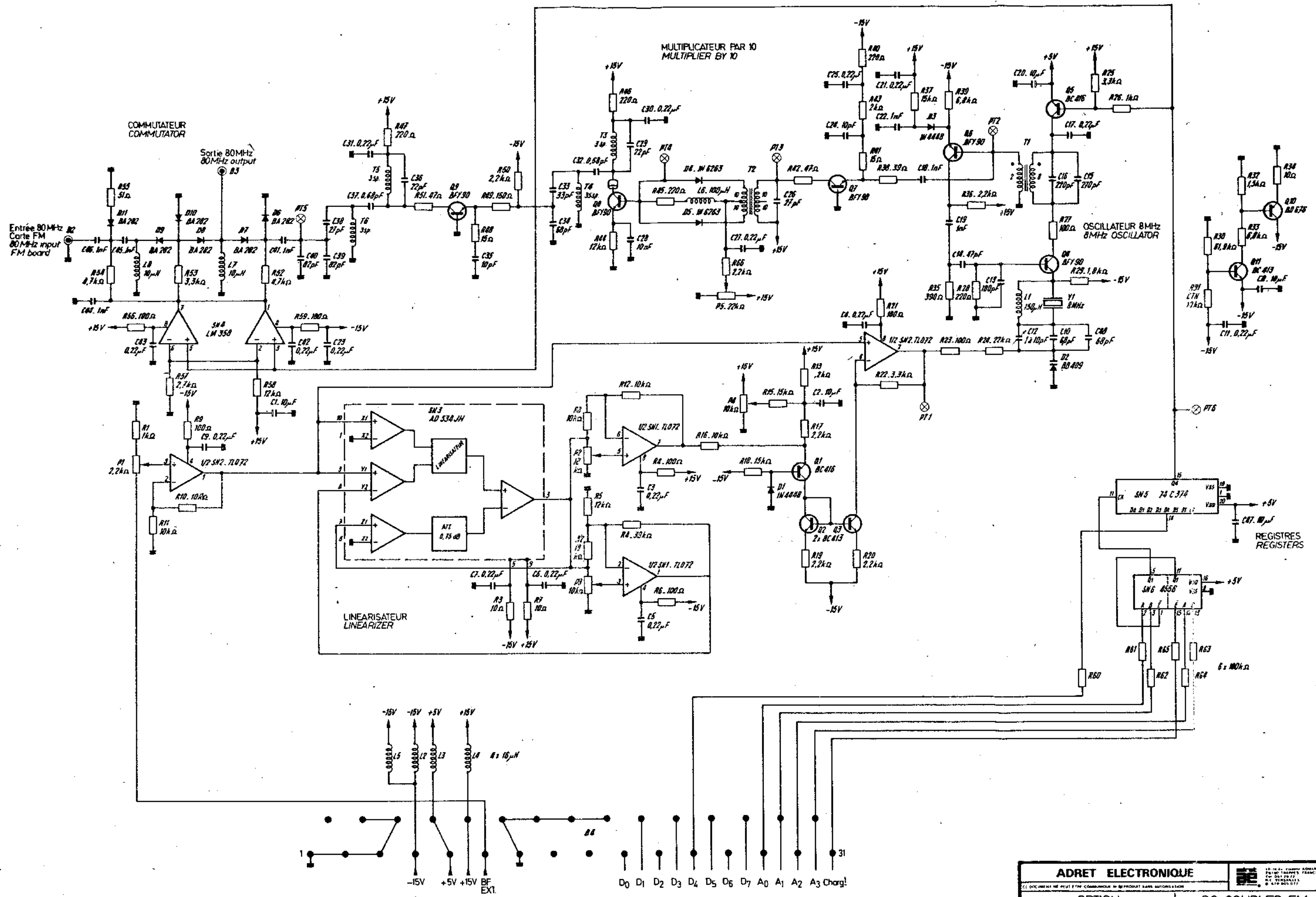
|                           |         |   |                          |
|---------------------------|---------|---|--------------------------|
| <b>ADRET ELECTRONIQUE</b> |         | <small>LEONARD JEANNEAU LABORATOIRE<br/>100 RUE DE LA PAIX - 92000 NANTERRE<br/>BOITE 100 - 92000 NANTERRE<br/>FRANCE</small> |                          |
| CPU                       |         | CPU BOARD   |                          |
| DATE 12 03 85             | ETUDE 5 | DESIGN 5  | VERSION E9702769700003/2 |


| REPERE INDEXE | REF. PART | ADRET NUMBER | DESCRIPTION                     | PART DESCRIPTION                  | FOURNISSEUR/PLAN SUPPLIER/DRAWING | QTE QTY |
|---------------|-----------|--------------|---------------------------------|-----------------------------------|-----------------------------------|---------|
| B             | -001      | 1431001300   | TM 31 MCIG ..... MALE*CARTE*    | TM 31 MCIG ..... TRELEC           |                                   | 1       |
| B             | -002      | 1426020000   | 26 TRANSITION COUDE 3429-5003   | * 26 BENDED LINKAGE .. 3429-5003  | 3M                                | 1       |
| B             | -003      | 1426020000   | 26 TRANSITION COUDE 3429-5003   | * 26 BENDED LINKAGE .. 3429-5003  | 3M                                | 1       |
| C             | -001      | 3120021000   | 1 NF 2,5 2222 630 51 102        | * 1 NF 2,5 2222 630 51 102        | COGECO                            | 1       |
| C             | -002      | 3150042200   | 0,22MMF 5 50V20% 3439050 E224M  | * 0,22MMF 5 50V20% 3439050 E224M  | AUX                               | 1       |
| C             | -003      | 3150042200   | 0,22MMF 5 50V20% 3439050 E224M  | * 0,22MMF 5 50V20% 3439050 E224M  | AUX                               | 1       |
| C             | -004      | 3150031000   | 10NF 5,08 63V GOX 767 14        | * 10NF 5,08 63V GOX 767 14        | LCC                               | 1       |
| C             | -005      | 3120008200   | 82PF 2,5 2222 680 10 829        | * 82PF 2,5 2222 680 10 829        | COGECO                            | 1       |
| C             | -006      | 3120008200   | 82PF 2,5 2222 680 10 829        | * 82PF 2,5 2222 680 10 829        | COGECO                            | 1       |
| C             | -007      | 3150031000   | 10NF 5,08 63V GOX 767 14        | * 10NF 5,08 63V GOX 767 14        | LCC                               | 1       |
| C             | -008      | 3120011000   | 100PF 2,5 'N10' 2222 680 58 101 | * 100PF 2,5 'N10' 2222 680 58 101 | COGECO                            | 1       |
| C             | -009      | 3120021000   | 1 NF 2,5 2222 630 51 102        | * 1 NF 2,5 2222 630 51 102        | COGECO                            | 1       |
| C             | -010      | 3700020000   | 1MMF/35V 5,08 .... STAND L TAG  | * 1MMF/35V 5,08 .... STAND L TAG  | STC                               | 1       |
| C             | -011      | 3700020000   | 1MMF/35V 5,08 .... STAND L TAG  | * 1MMF/35V 5,08 .... STAND L TAG  | STC                               | 1       |
| C             | -012      | 3150042200   | 0,22MMF 5 50V20% 3439050 E224M  | * 0,22MMF 5 50V20% 3439050 E224M  | AUX                               | 1       |
| C             | -013      | 3700100000   | 4,7MMF/35V 5,08 ... STAND L TAG | * 4,7MMF/35V 5,08 ... STAND L TAG | STC                               | 1       |
| C             | -014      | 3150042200   | 0,22MMF 5 50V20% 3439050 E224M  | * 0,22MMF 5 50V20% 3439050 E224M  | AUX                               | 1       |
| C             | -015      | 3150042200   | 0,22MMF 5 50V20% 3439050 E224M  | * 0,22MMF 5 50V20% 3439050 E224M  | AUX                               | 1       |
| C             | -016      | 3150042200   | 0,22MMF 5 50V20% 3439050 E224M  | * 0,22MMF 5 50V20% 3439050 E224M  | AUX                               | 1       |
| C             | -017      | 3150042200   | 0,22MMF 5 50V20% 3439050 E224M  | * 0,22MMF 5 50V20% 3439050 E224M  | AUX                               | 1       |
| C             | -018      | 3150042200   | 0,22MMF 5 50V20% 3439050 E224M  | * 0,22MMF 5 50V20% 3439050 E224M  | AUX                               | 1       |
| C             | -019      | 3150042200   | 0,22MMF 5 50V20% 3439050 E224M  | * 0,22MMF 5 50V20% 3439050 E224M  | AUX                               | 1       |
| C             | -020      | 3150042200   | 0,22MMF 5 50V20% 3439050 E224M  | * 0,22MMF 5 50V20% 3439050 E224M  | AUX                               | 1       |
| C             | -021      | 3150042200   | 0,22MMF 5 50V20% 3439050 E224M  | * 0,22MMF 5 50V20% 3439050 E224M  | AUX                               | 1       |
| C             | -022      | 3150042200   | 0,22MMF 5 50V20% 3439050 E224M  | * 0,22MMF 5 50V20% 3439050 E224M  | AUX                               | 1       |
| C             | -023      | 3150042200   | 0,22MMF 5 50V20% 3439050 E224M  | * 0,22MMF 5 50V20% 3439050 E224M  | AUX                               | 1       |
| C             | -024      | 3150042200   | 0,22MMF 5 50V20% 3439050 E224M  | * 0,22MMF 5 50V20% 3439050 E224M  | AUX                               | 1       |
| C             | -025      | 3700100000   | 4,7MMF/35V 5,08 ... STAND L TAG | * 4,7MMF/35V 5,08 ... STAND L TAG | STC                               | 1       |
| C             | -026      | 3234220200   | 0,22MMF 5,08 10% IRD807         | * 0,22MMF 5,08 10% IRD807         | LCC                               | 1       |
| C             | -027      | 3700010000   | 0,47MMF/35V 5,08 STAND L TAG    | * 0,47MMF/35V 5,08 STAND L TAG    | STC                               | 1       |
| C             | -028      | 3120021000   | 1 NF 2,5 2222 630 51 102        | * 1 NF 2,5 2222 630 51 102        | COGECO                            | 1       |
| C             | -029      | 3232330300   | 3300PF 5,08 10% IRD607          | * 3300PF 5,08 10% IRD607          | LCC                               | 1       |
| C             | -030      | 3232330300   | 3300PF 5,08 10% IRD607          | * 3300PF 5,08 10% IRD607          | LCC                               | 1       |
| C             | -031      | 3700010000   | 0,47MMF/35V 5,08 STAND L TAG    | * 0,47MMF/35V 5,08 STAND L TAG    | STC                               | 1       |
| D             | -001      | 4000160000   | LD 3,17 ROUGE ..... HLMP 1002   | * RED 3.17 LED ..... HLMP 1002    | HP                                | 1       |
| D             | -002      | 4000320000   | LED 3,17 JAUNE ..... HLMP-1401  | * YELLOW 3.17 LED .... HLMP-1401  | HP                                | 1       |
| D             | -003      | 4500310000   | 1 N 4448                        | * 1 N 4448                        | ITT                               | 1       |
| D             | -004      | 4500310000   | 1 N 4448                        | * 1 N 4448                        | ITT                               | 1       |
| D             | -005      | 4500310000   | 1 N 4448                        | * 1 N 4448                        | ITT                               | 1       |
| D             | -006      | 4500310000   | 1 N 4448                        | * 1 N 4448                        | ITT                               | 1       |
| D             | -007      | 4500310000   | 1 N 4448                        | * 1 N 4448                        | ITT                               | 1       |
| D             | -008      | 4500540000   | 1N6263 0035 (EX ESM247&246)     | * 1N6263 (SUBSTIT. ESM247&246)    | RTC                               | 1       |
| D             | -010      | 4500540000   | 1N6263 0035 (EX ESM247&246)     | * 1N6263 (SUBSTIT. ESM247&246)    | RTC                               | 1       |
| D             | -011      | 4500310000   | 1 N 4448                        | * 1 N 4448                        | ITT                               | 1       |
| D             | -012      | 4500310000   | 1 N 4448                        | * 1 N 4448                        | ITT                               | 1       |
| D             | -013      | 4500310000   | 1 N 4448                        | * 1 N 4448                        | ITT                               | 1       |
| D             | -014      | 4500310000   | 1 N 4448                        | * 1 N 4448                        | ITT                               | 1       |
| Q             | -001      | 4300600000   | MPS 3640                        | * MPS 3640                        | MOTOROLA                          | 1       |
| Q             | -002      | 4300600000   | MPS 3640                        | * MPS 3640                        | MOTOROLA                          | 1       |
| Q             | -003      | 4300110000   | BC560C /416C/415C/559C(BC214C)  | * BC560C /413C/415C/559C(BC214C)  | RTC                               | 1       |
| Q             | -004      | 4300190000   | BC550C /414C/413C/549C(BC184C)  | * BC550C /414C/413C/549C(BC184C)  | RTC                               | 1       |
| Q             | -005      | 4300190000   | BC550C /414C/413C/549C(BC184C)  | * BC550C /414C/413C/549C(BC184C)  | RTC                               | 1       |
| Q             | -006      | 4300110000   | BC560C /416C/415C/559C(BC214C)  | * BC560C /413C/415C/559C(BC214C)  | RTC                               | 1       |
| Q             | -007      | 4300110000   | BC560C /416C/415C/559C(BC214C)  | * BC560C /413C/415C/559C(BC214C)  | RTC                               | 1       |
| Q             | -008      | 4300150000   | MPS 2369                        | * MPS 2369                        | MOTOROLA                          | 1       |
| R             | -001      | 2210013300   | 330R 5% N4                      | * 330R 5% N4                      | SOUCOR                            | 1       |
| R             | -002      | 2210021800   | 1K8 5% N4                       | * 1K8 5% N4                       | SOUCOR                            | 1       |
| R             | -003      | 2210014700   | 470R 5% N4                      | * 470R 5% N4                      | SOUCOR                            | 1       |
| R             | -004      | 2210006800   | 68R 5% N4                       | * 68R 5% N4                       | SOUCOR                            | 1       |
| R             | -005      | 2210012200   | 220R 5% N4                      | * 220R 5% N4                      | SOUCOR                            | 1       |
| R             | -006      | 2210012200   | 220R 5% N4                      | * 220R 5% N4                      | SOUCOR                            | 1       |
| R             | -007      | 2210021000   | 1K0 5% N4                       | * 1K0 5% N4                       | SOUCOR                            | 1       |
| R             | -008      | 2210015600   | 560R 5% N4                      | * 560R 5% N4                      | SOUCOR                            | 1       |
| R             | -009      | 2210022200   | 2K2 5% N4                       | * 2K2 5% N4                       | SOUCOR                            | 1       |
| R             | -010      | 2210022200   | 2K2 5% N4                       | * 2K2 5% N4                       | SOUCOR                            | 1       |
| R             | -011      | 2210024700   | 4K7 5% N4                       | * 4K7 5% N4                       | SOUCOR                            | 1       |
| R             | -012      | 2210032200   | 22K 5% N4                       | * 22K 5% N4                       | SOUCOR                            | 1       |
| R             | -013      | 2210013300   | 330R 5% N4                      | * 330R 5% N4                      | SOUCOR                            | 1       |
| R             | -016      | 2210042200   | 220K 5% N4                      | * 220K 5% N4                      | SOUCOR                            | 1       |
| R             | -017      | 2210041000   | 100K 5% N4                      | * 100K 5% N4                      | SOUCOR                            | 1       |
| R             | -018      | 2210024700   | 4K7 5% N4                       | * 4K7 5% N4                       | SOUCOR                            | 1       |
| R             | -019      | 2210024700   | 4K7 5% N4                       | * 4K7 5% N4                       | SOUCOR                            | 1       |
| R             | -020      | 2610924700   | 9X4K7 2% 4310R-101-472          | * 9X4K7 2% 4310R-101-472          | BOURNS                            | 1       |
| R             | -022      | 2610924700   | 9X4K7 2% 4310R-101-472          | * 9X4K7 2% 4310R-101-472          | BOURNS                            | 1       |
| R             | -023      | 2210024700   | 4K7 5% N4                       | * 4K7 5% N4                       | SOUCOR                            | 1       |
| R             | -024      | 2210024700   | 4K7 5% N4                       | * 4K7 5% N4                       | SOUCOR                            | 1       |
| R             | -025      | 2210031000   | 10K 5% N4                       | * 10K 5% N4                       | SOUCOR                            | 1       |
| R             | -026      | 2210031000   | 10K 5% N4                       | * 10K 5% N4                       | SOUCOR                            | 1       |
| R             | -027      | 2210031000   | 10K 5% N4                       | * 10K 5% N4                       | SOUCOR                            | 1       |

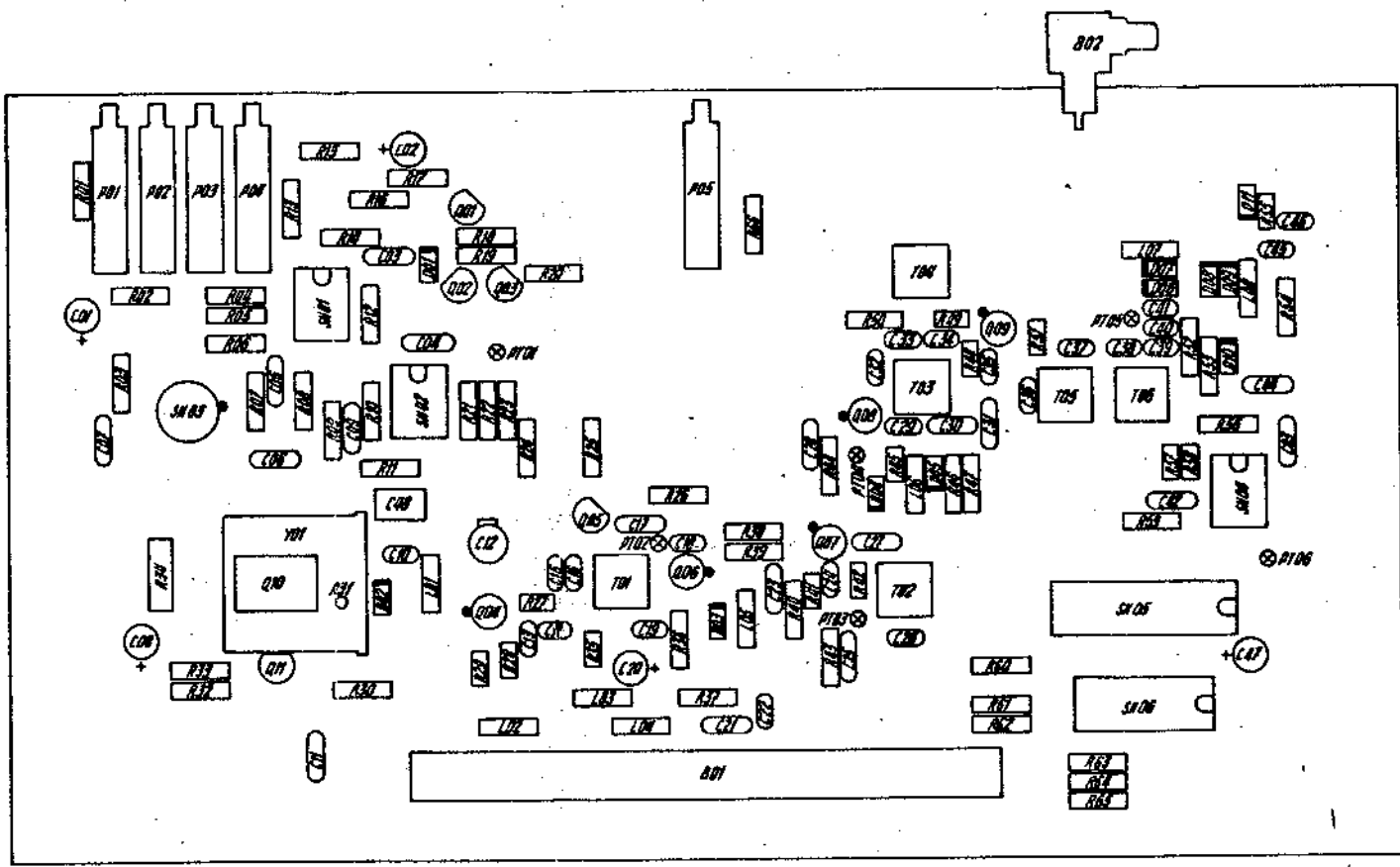


\*\*\*\*\*0276970000 04 CPU '2' ..... 740A \* 04 CPU '2' ..... 740A E91..... A98E97 \*  
\*\*\*\*\*

| REPERE INDEXE | REF. AORET PART NUMBER | DESCRIPTION                    | PART DESCRIPTION               | FOURNISSEUR/PLAN SUPPLIER/DRAWING | QTE QTY |
|---------------|------------------------|--------------------------------|--------------------------------|-----------------------------------|---------|
| R -028        | 2210024700             | 4K7                            | 5% N4 * 4K7                    | 5% N4 SOUCOR                      | 1       |
| R -029        | 2210013300             | 330R                           | 5% N4 * 330R                   | 5% N4 SOUCOR                      | 1       |
| R -030        | 2210024700             | 4K7                            | 5% N4 * 4K7                    | 5% N4 SOUCOR                      | 1       |
| R -031        | 2210024700             | 4K7                            | 5% N4 * 4K7                    | 5% N4 SOUCOR                      | 1       |
| R -032        | 2210024700             | 4K7                            | 5% N4 * 4K7                    | 5% N4 SOUCOR                      | 1       |
| R -033        | 2210024700             | 4K7                            | 5% N4 * 4K7                    | 5% N4 SOUCOR                      | 1       |
| R -034        | 2210024700             | 4K7                            | 5% N4 * 4K7                    | 5% N4 SOUCOR                      | 1       |
| R -035        | 2210013300             | 330R                           | 5% N4 * 330R                   | 5% N4 SOUCOR                      | 1       |
| R -036        | 2610932200             | 9X22K 2%                       | 4310R-101-223 * 9X22K 2%       | 4310R-101-223 BOURNS              | 1       |
| R -037        | 2210001000             | 10R                            | 5% N4 * 10R                    | 5% N4 SOUCOR                      | 1       |
| R -038        | 2210001000             | 10R                            | 5% N4 * 10R                    | 5% N4 SOUCOR                      | 1       |
| R -039        | 2210024700             | 4K7                            | 5% N4 * 4K7                    | 5% N4 SOUCOR                      | 1       |
| R -040        | 2210001000             | 10R                            | 5% N4 * 10R                    | 5% N4 SOUCOR                      | 1       |
| R -041        | 2210001000             | 10R                            | 5% N4 * 10R                    | 5% N4 SOUCOR                      | 1       |
| R -042        | 2210024700             | 4K7                            | 5% N4 * 4K7                    | 5% N4 SOUCOR                      | 1       |
| R -043        | 2210024700             | 4K7                            | 5% N4 * 4K7                    | 5% N4 SOUCOR                      | 1       |
| R -044        | 2610911800             | 9X180R 2%                      | 4310R-101-181 * 9X180R 2%      | 4310R-101-181 BOURNS              | 1       |
| R -045        | 2610911800             | 9X180R 2%                      | 4310R-101-181 * 9X180R 2%      | 4310R-101-181 BOURNS              | 1       |
| R -046        | 2210042700             | 270K                           | 5% N4 * 270K                   | 5% N4 SOUCOR                      | 1       |
| R -047        | 2210031000             | 10K                            | 5% N4 * 10K                    | 5% N4 SOUCOR                      | 1       |
| R -048        | 2210031000             | 10K                            | 5% N4 * 10K                    | 5% N4 SOUCOR                      | 1       |
| R -049        | 2210001000             | 10R                            | 5% N4 * 10R                    | 5% N4 SOUCOR                      | 1       |
| R -050        | 2210001000             | 10R                            | 5% N4 * 10R                    | 5% N4 SOUCOR                      | 1       |
| R -051        | 2210014700             | 470R                           | 5% N4 * 470R                   | 5% N4 SOUCOR                      | 1       |
| R -052        | 2210021500             | 1K5                            | 5% N4 * 1K5                    | 5% N4 SOUCOR                      | 1       |
| R -053        | 2210022200             | 2K2                            | 5% N4 * 2K2                    | 5% N4 SOUCOR                      | 1       |
| R -054        | 2210041200             | 120K                           | 5% N4 * 120K                   | 5% N4 SOUCOR                      | 1       |
| R -055        | 2500264900             | 64K9 * 1% 0.3 W                | SMA207 * 64K9 * 1% 0.3 W       | SMA207 DRALORTIC                  | 1       |
| R -056        | 2210021200             | 1K2                            | 5% N4 * 1K2                    | 5% N4 SOUCOR                      | 1       |
| R -057        | 2610922200             | 9X2K2 2%                       | 4310R-101-222 * 9X2K2 2%       | 4310R-101-222 BOURNS              | 1       |
| R -058        | 2610922200             | 9X2K2 2%                       | 4310R-101-222 * 9X2K2 2%       | 4310R-101-222 BOURNS              | 1       |
| R -059        | 2610922200             | 9X2K2 2%                       | 4310R-101-222 * 9X2K2 2%       | 4310R-101-222 BOURNS              | 1       |
| R -060        | 2210024700             | 4K7                            | 5% N4 * 4K7                    | 5% N4 SOUCOR                      | 1       |
| R -061        | 2610924700             | 9X4K7 2%                       | 4310R-101-472 * 9X4K7 2%       | 4310R-101-472 BOURNS              | 1       |
| R -062        | 2210023300             | 3K3                            | 5% N4 * 3K3                    | 5% N4 SOUCOR                      | 1       |
| SN -001       | 4150740400             | SN 74 LS 04 N 3                | SN 74 LS 04 N 3                | TEXAS                             | 1       |
| SN -002       | 4157419600             | SN 74 LS 196 N 3               | SN 74 LS 196 N 3               | TEXAS                             | 1       |
| SN -003       | 4160402700             | C-MOS 4027                     | C-MOS 4027                     | RTC                               | 1       |
| SN -004       | 4157413200             | SN 74 LS 132 N 3               | SN 74 LS 132 N 3               | TEXAS                             | 1       |
| SN -005       | 4157415600             | SN 74 LS 156 N 3               | SN 74 LS 156 N 3               | TEXAS                             | 1       |
| SN -006       | 4150742000             | SN 74 LS 20 N 3                | SN 74 LS 20 N 3                | TEXAS                             | 1       |
| SN -007       | 4150740000             | SN 74 LS 00 N 3                | SN 74 LS 00 N 3                | TEXAS                             | 1       |
| SN -008       | 4157424400             | SN 74 LS 244 N 3               | SN 74 LS 244 N 3               | TEXAS                             | 1       |
| SN -009       | 4157424400             | SN 74 LS 244 N 3               | SN 74 LS 244 N 3               | TEXAS                             | 1       |
| SN -011       | 4157424400             | SN 74 LS 244 N 3               | SN 74 LS 244 N 3               | TEXAS                             | 1       |
| SN -012       | 4170680200             | N-MOS MC 6802 P                | N-MOS MC 6802 P                | MOTOROLA                          | 1       |
| SN -013       | 4176848800             | N-MOS MC 68488P 9W             | N-MOS MC 68488P 9W             | MOTOROLA                          | 1       |
| SN -014       | 4100344800             | MC 3448 AP                     | MC 3448 AP                     | MOTOROLA                          | 1       |
| SN -015       | 4100344800             | MC 3448 AP                     | MC 3448 AP                     | MOTOROLA                          | 1       |
| SN -016       | 4100344800             | MC 3448 AP                     | MC 3448 AP                     | MOTOROLA                          | 1       |
| SN -017       | 4100344800             | MC 3448 AP                     | MC 3448 AP                     | MOTOROLA                          | 1       |
| SN -018       | 4170436400             | RAM 8K/8 ST REF UPD 4364-C20L  | RAM 8K/8 ST REF UPD 4364-C20L  | NEC                               | 1       |
| SN -028       | 4157412300             | SN 74 LS 123 N 3               | SN 74 LS 123 N 3               | TEXAS                             | 1       |
| SN -029       | 4157437400             | SN 74 LS 374 N 3               | SN 74 LS 374 N 3               | TEXAS                             | 1       |
| SN -030       | 4157437400             | SN 74 LS 374 N 3               | SN 74 LS 374 N 3               | TEXAS                             | 1       |
| SN -031       | 4170682100             | N-MOS MC 6821 P PIA            | N-MOS MC 6821 P PIA            | MOTOROLA                          | 1       |
| SN -032       | 4000330000             | COUPLEUR OPTO DOUBLE TLP 504 A | DOUBLE OPTO COUPLER TLP 504 A  | TOSCHIBA                          | 1       |
| SN -033       | 4000330000             | COUPLEUR OPTO DOUBLE TLP 504 A | DOUBLE OPTO COUPLER TLP 504 A  | TOSCHIBA                          | 1       |
| SN -034       | 4000330000             | COUPLEUR OPTO DOUBLE TLP 504 A | DOUBLE OPTO COUPLER TLP 504 A  | TOSCHIBA                          | 1       |
| SN -035       | 4000330000             | COUPLEUR OPTO DOUBLE TLP 504 A | DOUBLE OPTO COUPLER TLP 504 A  | TOSCHIBA                          | 1       |
| SN -036       | 4000330000             | COUPLEUR OPTO DOUBLE TLP 504 A | DOUBLE OPTO COUPLER TLP 504 A  | TOSCHIBA                          | 1       |
| SN -037       | 4000330000             | COUPLEUR OPTO DOUBLE TLP 504 A | DOUBLE OPTO COUPLER TLP 504 A  | TOSCHIBA                          | 1       |
| SN -038       | 4157424400             | SN 74 LS 244 N 3               | SN 74 LS 244 N 3               | TEXAS                             | 1       |
| SN -039       | 4157424400             | SN 74 LS 244 N 3               | SN 74 LS 244 N 3               | TEXAS                             | 1       |
| SN -040       | 4160452800             | C-MOS 4528                     | C-MOS 4528                     | RTC                               | 1       |
| T -001        | 0218260000             | 01 TORE FT6.3 T6 IEEE 7100A    | 01 TORE FT6.3 T6 IEEE 7100A    | ADRET.....                        | 1       |
| T -002        | 0218260000             | 01 TORE FT6.3 T6 IEEE 7100A    | 01 TORE FT6.3 T6 IEEE 7100A    | ADRET.....                        | 1       |
| T -003        | 0218310000             | 00 F10B 2X7+15 SPIRES .. 7100A | 00 F10B 2X7+15 TURNS ... 7100A | Z94 F10B.....24                   | 1       |
| Z1            | 1276970200             | CI CPU'2' ..... 740A           | CPU'2' PC ..... 740A           | B997697.....TM                    | 1       |
| Z4            | 4900120000             | 14 SUPPORT C.I. DIL J23-5014   | 14 CONNECTOR P.C. DIL J23-5014 | JERMYN                            | 1       |
| Z4            | 4900300000             | 20 SUPPORT C.I. DIL J23-5020   | 20 CONNECTOR P.C. DIL J23-5020 | JERMYN                            | 7       |
| Z4            | 4900330000             | 28 SUPPORT C.I. DIL J23-5028   | 28 CONNECTOR P.C. DIL J23-5028 | JERMYN                            | 4       |
| Z4            | 4900340000             | 40 SUPPORT C.I. DIL J23-5040   | 40 CONNECTOR P.C. DIL J23-5040 | JERMYN                            | 3       |
| Z4            | 4900390000             | 8 SUPPORT C.I. DIL J23-5008    | 8 CONNECTOR P.C. DIL J23-5008  | JERMYN                            | 6       |
| Z5            | 5700040000             | ACCU.306 TYPE 310 REF 125132   | BATTERY 306 TYPE310 REF 125132 | SAFT                              | 1       |
| Z6            | 6102130600             | ACF 3 X 6 HEXAGONALE ..... 'H' | ACF 3 X 6 HEXAGONALE ..... 'H' | SAGIC                             | 1       |
| Z6            | 6300030100             | M 3U (8X0.8) NF E27-611 INOX   | INOX M3 X 8X0.8 FLAT .... MEAN | BO                                | 1       |
| Z8            | 8107730900             | COLONNETTE A SERTIR M3 L6 STD  | SPACER TO SQUEEZE M3 L6 STD    | B943053                           | 1       |



|                           |         |   |                              |
|---------------------------|---------|---|------------------------------|
| <b>ADRET ELECTRONIQUE</b> |         | <br><small>15 RUE DE LA LIBERTE<br/>92100 CLAMART FRANCE<br/>TÉL. 01 47 20 22 22<br/>R.C. 92 08 21 21<br/>N° SIRET 92 08 21 21 000 017</small> |                              |
| OPTION<br>FM CONTINUE     |         |   | DC COUPLED FM<br>OPTION      |
| DATE 26 10 84             | ETUDE 5 | VERIF 5   | E 97 0 4 0 7 3 0 8 3 0 1 1/2 |



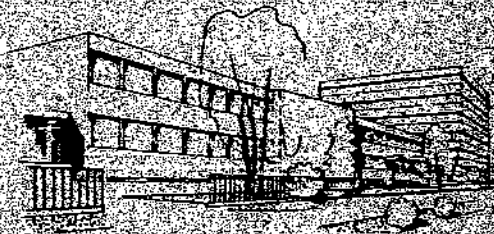
|  |  |   |  |
|--|--|---|--|
| <b>ADRET ELECTRONIQUE</b>  |  | <small>12-11-1, Avenue A. GARNIER<br/>92100 CLAMART FRANCE<br/>Tél. 01 47 37 11 77<br/>R.C. PARIS 038 455 577</small> |  |
| <small>CE DOCUMENT NE PEUT ETRE LOANÉ NI REPRODUIT SANS AUTORISATION</small> |  | <small>OPTION<br/>FM CONTINUE</small>   |  |
| <small>DC COUPLED FM<br/>OPTION</small>                                      |  | <small>DATE 24 10 84</small>  |  |
| <small>ETAT 5</small>  |  | <small>E 9 7 0 4 0 7 3 0 8 3 0 1 2</small>  |  |

| REPERE INDEXE | REF. ADRET PART NUMBER | DESCRIPTION                     | PART DESCRIPTION                | FOURNISSEUR/PLAN SUPPLIER/DRAWING | QTE QTY |
|---------------|------------------------|---------------------------------|---------------------------------|-----------------------------------|---------|
| B -001        | 1431001300             | TM 31 MCIG ..... MALE*CARTE*    | TM 31 MCIG .....                | TRELEC                            | 1       |
| B -002        | 1400215600             | KMV11 EMBASE COUDEE FIXAT.PANN  | KMV11BENDEE SOCKET PAN. ANCHOR  | RADIALL                           | 1       |
| B -003        | 0205200000             | 00 COAX '250' .....L250 .. 740A | 00 COAX '250' .....L250 .. 740A | ADRET .....                       | 1       |
| C -001        | 3700150000             | 10MMF/25V 2,54 20% REF:489D A1  | 10MMF/25V 2,54 20% REF:489D A1  | SPRAGUE                           | 1       |
| C -002        | 3700150000             | 10MMF/25V 2,54 20% REF:489D A1  | 10MMF/25V 2,54 20% REF:489D A1  | SPRAGUE                           | 1       |
| C -003        | 3150042200             | 0,22MMF 5 50V20% 3439050 E224M  | 0,22MMF 5 50V20% 3439050 E224M  | AUX                               | 1       |
| C -004        | 3150042200             | 0,22MMF 5 50V20% 3439050 E224M  | 0,22MMF 5 50V20% 3439050 E224M  | AUX                               | 1       |
| C -005        | 3150042200             | 0,22MMF 5 50V20% 3439050 E224M  | 0,22MMF 5 50V20% 3439050 E224M  | AUX                               | 1       |
| C -006        | 3150042200             | 0,22MMF 5 50V20% 3439050 E224M  | 0,22MMF 5 50V20% 3439050 E224M  | AUX                               | 1       |
| C -007        | 3150042200             | 0,22MMF 5 50V20% 3439050 E224M  | 0,22MMF 5 50V20% 3439050 E224M  | AUX                               | 1       |
| C -008        | 3700150000             | 10MMF/25V 2,54 20% REF:489D A1  | 10MMF/25V 2,54 20% REF:489D A1  | SPRAGUE                           | 1       |
| C -009        | 3150042200             | 0,22MMF 5 50V20% 3439050 E224M  | 0,22MMF 5 50V20% 3439050 E224M  | AUX                               | 1       |
| C -010        | 3120096800             | 6,8PF 2,5 'D' 2222 680 09 688   | 6,8PF 2,5 'D' 2222 680 09 688   | COGECO                            | 1       |
| C -011        | 3150042200             | 0,22MMF 5 50V20% 3439050 E224M  | 0,22MMF 5 50V20% 3439050 E224M  | AUX                               | 1       |
| C -012        | 3600050000             | 2/10 PF ... REF C010 808 23109  | 2/10 PF ... REF C010 808 23109  | RTC (C010)                        | 1       |
| C -013        | 3120011000             | 100PF 2,5 'N10'2222 680 58 101  | 100PF 2,5 'N10'2222 680 58 101  | COGECO                            | 1       |
| C -014        | 3120004700             | 47PF 2,5 2222 680 10 479        | 47PF 2,5 2222 680 10 479        | COGECO                            | 1       |
| C -015        | 3120012700             | 270PF 2,5 'N27'2222 680 58 271  | 270PF 2,5 'N27'2222 680 58 271  | COGECO                            | 1       |
| C -016        | 3120012200             | 220PF 2,5 'N22'2222 680 58 221  | 220PF 2,5 'N22'2222 680 58 221  | COGECO                            | 1       |
| C -017        | 3150042200             | 0,22MMF 5 50V20% 3439050 E224M  | 0,22MMF 5 50V20% 3439050 E224M  | AUX                               | 1       |
| C -018        | 3120021000             | 1 NF 2,5 2222 630 51 102        | 1 NF 2,5 2222 630 51 102        | COGECO                            | 1       |
| C -019        | 3120021000             | 1 NF 2,5 2222 630 51 102        | 1 NF 2,5 2222 630 51 102        | COGECO                            | 1       |
| C -020        | 3700150000             | 10MMF/25V 2,54 20% REF:489D A1  | 10MMF/25V 2,54 20% REF:489D A1  | SPRAGUE                           | 1       |
| C -021        | 3150042200             | 0,22MMF 5 50V20% 3439050 E224M  | 0,22MMF 5 50V20% 3439050 E224M  | AUX                               | 1       |
| C -022        | 3120021000             | 1 NF 2,5 2222 630 51 102        | 1 NF 2,5 2222 630 51 102        | COGECO                            | 1       |
| C -023        | 3150042200             | 0,22MMF 5 50V20% 3439050 E224M  | 0,22MMF 5 50V20% 3439050 E224M  | AUX                               | 1       |
| C -024        | 3120001000             | 10PF 2,5 'F' 2222 680 10 109    | 10PF 2,5 'F' 2222 680 10 109    | COGECO                            | 1       |
| C -025        | 3150042200             | 0,22MMF 5 50V20% 3439050 E224M  | 0,22MMF 5 50V20% 3439050 E224M  | AUX                               | 1       |
| C -026        | 3120002700             | 27PF 2,5 'L' 2222 680 10 279    | 27PF 2,5 'L' 2222 680 10 279    | COGECO                            | 1       |
| C -027        | 3150042200             | 0,22MMF 5 50V20% 3439050 E224M  | 0,22MMF 5 50V20% 3439050 E224M  | AUX                               | 1       |
| C -028        | 3150031000             | 10NF 5,08 63V GOX 767 14        | 10NF 5,08 63V GOX 767 14        | LCC                               | 1       |
| C -029        | 3120002200             | 22PF 2,5 'K' 2222 680 10 229    | 22PF 2,5 'K' 2222 680 10 229    | COGECO                            | 1       |
| C -030        | 3150042200             | 0,22MMF 5 50V20% 3439050 E224M  | 0,22MMF 5 50V20% 3439050 E224M  | AUX                               | 1       |
| C -031        | 3150042200             | 0,22MMF 5 50V20% 3439050 E224M  | 0,22MMF 5 50V20% 3439050 E224M  | AUX                               | 1       |
| C -032        | 3150086800             | 0,68PF 5,08 2222 681 03 687     | 0,68PF 5,08 2222 681 03 687     | COGECO                            | 1       |
| C -033        | 3120003300             | 33PF 2,5 2222 680 10 339        | 33PF 2,5 2222 680 10 339        | COGECO                            | 1       |
| C -034        | 3120006800             | 68PF 2,5 2222 680 10 689        | 68PF 2,5 2222 680 10 689        | COGECO                            | 1       |
| C -035        | 3120001000             | 10PF 2,5 'F' 2222 680 10 109    | 10PF 2,5 'F' 2222 680 10 109    | COGECO                            | 1       |
| C -036        | 3120002200             | 22PF 2,5 'K' 2222 680 10 229    | 22PF 2,5 'K' 2222 680 10 229    | COGECO                            | 1       |
| C -037        | 3150086800             | 0,68PF 5,08 2222 681 03 687     | 0,68PF 5,08 2222 681 03 687     | COGECO                            | 1       |
| C -038        | 3120002700             | 27PF 2,5 'L' 2222 680 10 279    | 27PF 2,5 'L' 2222 680 10 279    | COGECO                            | 1       |
| C -039        | 3120008200             | 82PF 2,5 2222 680 10 829        | 82PF 2,5 2222 680 10 829        | COGECO                            | 1       |
| C -040        | 3120008200             | 82PF 2,5 2222 680 10 829        | 82PF 2,5 2222 680 10 829        | COGECO                            | 1       |
| C -041        | 3120021000             | 1 NF 2,5 2222 630 51 102        | 1 NF 2,5 2222 630 51 102        | COGECO                            | 1       |
| C -042        | 3150042200             | 0,22MMF 5 50V20% 3439050 E224M  | 0,22MMF 5 50V20% 3439050 E224M  | AUX                               | 1       |
| C -043        | 3150042200             | 0,22MMF 5 50V20% 3439050 E224M  | 0,22MMF 5 50V20% 3439050 E224M  | AUX                               | 1       |
| C -044        | 3150042200             | 0,22MMF 5 50V20% 3439050 E224M  | 0,22MMF 5 50V20% 3439050 E224M  | AUX                               | 1       |
| C -045        | 3120021000             | 1 NF 2,5 2222 630 51 102        | 1 NF 2,5 2222 630 51 102        | COGECO                            | 1       |
| C -046        | 3120021000             | 1 NF 2,5 2222 630 51 102        | 1 NF 2,5 2222 630 51 102        | COGECO                            | 1       |
| C -047        | 3700150000             | 10MMF/25V 2,54 20% REF:489D A1  | 10MMF/25V 2,54 20% REF:489D A1  | SPRAGUE                           | 1       |
| C -048        | 3309680000             | 68PF 2,5 5% 160V .. CA152       | 68PF 2,5 5% 160V .. CA152       | CONDENSATEUR PI                   | 1       |
| D -001        | 4500310000             | 1 N 4448                        | 1 N 4448                        | ITT                               | 1       |
| D -002        | 4500450000             | BB 409 (STANDARD).....          | BB 409 (STANDARD).....          | SIEMENS                           | 1       |
| D -003        | 4500310000             | 1 N 4448                        | 1 N 4448                        | ITT                               | 1       |
| D -004        | 4500540000             | IN6263 0035 (EX ESM247&246)     | IN6263 (SUBSTIT. ESM247&246)    | RTC                               | 1       |
| D -005        | 4500540000             | IN6263 0035 (EX ESM247&246)     | IN6263 (SUBSTIT. ESM247&246)    | RTC                               | 1       |
| D -006        | 4500200100             | BA 282                          | BA 282                          | SIEMENS                           | 1       |
| D -007        | 4500200100             | BA 282                          | BA 282                          | SIEMENS                           | 1       |
| D -008        | 4500200100             | BA 282                          | BA 282                          | SIEMENS                           | 1       |
| D -009        | 4500200100             | BA 282                          | BA 282                          | SIEMENS                           | 1       |
| D -010        | 4500200100             | BA 282                          | BA 282                          | SIEMENS                           | 1       |
| D -011        | 4500200100             | BA 282                          | BA 282                          | SIEMENS                           | 1       |
| L -001        | 5300480100             | 150MMH ORE 53874 DEL 1025-72    | 150MMH ORE 53874 DEL 1025-72    | OREGA DELEVAN                     | 1       |
| L -002        | 0219720000             | 00 SELF 20MMH .....(EX 530336)  | 00 SELF 20MMH .....(EX 530336)  | ADRET                             | 1       |
| L -003        | 0219720000             | 00 SELF 20MMH .....(EX 530336)  | 00 SELF 20MMH .....(EX 530336)  | ADRET                             | 1       |
| L -004        | 0219720000             | 00 SELF 20MMH .....(EX 530336)  | 00 SELF 20MMH .....(EX 530336)  | ADRET                             | 1       |
| L -005        | 0219720000             | 00 SELF 20MMH .....(EX 530336)  | 00 SELF 20MMH .....(EX 530336)  | ADRET                             | 1       |
| L -006        | 5300460000             | 100MMH ORE 53870 DEL 1025-68    | 100MMH ORE 53870 DEL 1025-68    | OREGA DELEVAN                     | 1       |
| L -007        | 5300340000             | 10MMH ORE 53846 DEL 1025-44     | 10MMH ORE 53846 DEL 1025-44     | OREGA DELEVAN                     | 1       |
| L -008        | 5300340000             | 10MMH ORE 53846 DEL 1025-44     | 10MMH ORE 53846 DEL 1025-44     | OREGA DELEVAN                     | 1       |
| P -001        | 2132220000             | 2K2 3/4" 15T CERMET 43 P        | 2K2 3/4" 15T CERMET 43 P        | SPECTROL                          | 1       |
| P -002        | 2133100000             | 10K 3/4" 15T CERMET 43 P        | 10K 3/4" 15T CERMET 43 P        | SPECTROL                          | 1       |
| P -003        | 2133100000             | 10K 3/4" 15T CERMET 43 P        | 10K 3/4" 15T CERMET 43 P        | SPECTROL                          | 1       |
| P -004        | 2133100000             | 10K 3/4" 15T CERMET 43 P        | 10K 3/4" 15T CERMET 43 P        | SPECTROL                          | 1       |
| P -005        | 2133220000             | 22K 3/4" 15T CERMET 43 P        | 22K 3/4" 15T CERMET 43 P        | SPECTROL                          | 1       |
| Q -001        | 4300110000             | BC560C /416C/415C/559C(8C214C)  | BC560C /413C/415C/559C(8C214C)  | RTC                               | 1       |
| Q -002        | 4300190000             | BC550C /414C/413C/549C(8C184C)  | BC550C /414C/413C/549C(8C184C)  | RTC                               | 1       |
| Q -003        | 4300190000             | BC550C /414C/413C/549C(8C184C)  | BC550C /414C/413C/549C(8C184C)  | RTC                               | 1       |
| Q -004        | 4300720000             | BFY 90                          | BFY 90                          | RTC                               | 1       |

| REPERE INDEXE | REF. ADRET PART NUMBER | DESCRIPTION                    | PART DESCRIPTION                 | FOURNISSEUR/PLAN SUPPLIER/DRAWING | QTE QTY |
|---------------|------------------------|--------------------------------|----------------------------------|-----------------------------------|---------|
| Q -005        | 4300110000             | BC560C /416C/415C/559C(BC214C) | * BC560C /413C/415C/559C(BC214C) | RTC                               | 1       |
| Q -006        | 4300720000             | BFY 90                         | * BFY 90                         | RTC                               | 1       |
| Q -007        | 4300720000             | BFY 90                         | * BFY 90                         | RTC                               | 1       |
| Q -008        | 4300720000             | BFY 90                         | * BFY 90                         | RTC                               | 1       |
| Q -009        | 4300720000             | BFY 90                         | * BFY 90                         | RTC                               | 1       |
| Q -010        | 4300630000             | BD 678 A (EX 676)              | * BD 678 A (EX 676)              | MOTOROLA                          | 1       |
| Q -011        | 4300190000             | BC550C /414C/413C/549C(BC184C) | * BC550C /414C/413C/549C(BC184C) | RTC                               | 1       |
| R -001        | 2210021000             | 1K0 5% N4                      | 1K0 5% N4                        | SOUCOR                            | 1       |
| R -002        | 2210031000             | 10K 5% N4                      | 10K 5% N4                        | SOUCOR                            | 1       |
| R -003        | 2210001000             | 10R 5% N4                      | 10R 5% N4                        | SOUCOR                            | 1       |
| R -004        | 2210033900             | 39K 5% N4                      | 39K 5% N4                        | SOUCOR                            | 1       |
| R -005        | 2210031200             | 12K 5% N4                      | 12K 5% N4                        | SOUCOR                            | 1       |
| R -006        | 2210011000             | 100R 5% N4                     | 100R 5% N4                       | SOUCOR                            | 1       |
| R -007        | 2210001000             | 10R 5% N4                      | 10R 5% N4                        | SOUCOR                            | 1       |
| R -008        | 2210031000             | 10K 5% N4                      | 10K 5% N4                        | SOUCOR                            | 1       |
| R -009        | 2210011000             | 100R 5% N4                     | 100R 5% N4                       | SOUCOR                            | 1       |
| R -010        | 2210031000             | 10K 5% N4                      | 10K 5% N4                        | SOUCOR                            | 1       |
| R -011        | 2210031000             | 10K 5% N4                      | 10K 5% N4                        | SOUCOR                            | 1       |
| R -012        | 2210031000             | 10K 5% N4                      | 10K 5% N4                        | SOUCOR                            | 1       |
| R -013        | 2210028200             | 8K2 5% N4                      | 8K2 5% N4                        | SOUCOR                            | 1       |
| R -014        | 2210011000             | 100R 5% N4                     | 100R 5% N4                       | SOUCOR                            | 1       |
| R -015        | 2210031500             | 15K 5% N4                      | 15K 5% N4                        | SOUCOR                            | 1       |
| R -016        | 2210031000             | 10K 5% N4                      | 10K 5% N4                        | SOUCOR                            | 1       |
| R -017        | 2210022200             | 2K2 5% N4                      | 2K2 5% N4                        | SOUCOR                            | 1       |
| R -018        | 2210031500             | 15K 5% N4                      | 15K 5% N4                        | SOUCOR                            | 1       |
| R -019        | 2210022200             | 2K2 5% N4                      | 2K2 5% N4                        | SOUCOR                            | 1       |
| R -020        | 2210022200             | 2K2 5% N4                      | 2K2 5% N4                        | SOUCOR                            | 1       |
| R -021        | 2210011000             | 100R 5% N4                     | 100R 5% N4                       | SOUCOR                            | 1       |
| R -022        | 2210023300             | 3K3 5% N4                      | 3K3 5% N4                        | SOUCOR                            | 1       |
| R -023        | 2210011000             | 100R 5% N4                     | 100R 5% N4                       | SOUCOR                            | 1       |
| R -024        | 2210032200             | 22K 5% N4                      | 22K 5% N4                        | SOUCOR                            | 1       |
| R -025        | 2210023300             | 3K3 5% N4                      | 3K3 5% N4                        | SOUCOR                            | 1       |
| R -026        | 2210021000             | 1K0 5% N4                      | 1K0 5% N4                        | SOUCOR                            | 1       |
| R -027        | 2905011000             | 100R 5,08 CC 5% NK3            | 100R 5,08 CC 5% NK3              | SOUCOR                            | 1       |
| R -028        | 2905012200             | 220R 5,08 CC 5% NK3            | 220R 5,08 CC 5% NK3              | SOUCOR                            | 1       |
| R -029        | 2905021800             | 1K8 5,08 CC 5% NK3             | 1K8 5,08 CC 5% NK3               | SOUCOR                            | 1       |
| R -030        | 2500261900             | 61K9 * 1% 0,3 u SMA207         | 61K9 * 1% 0,3 u SMA207           | DRALORIC                          | 1       |
| R -031        | 2000050000             | CTN 10K 20% 100MW REF GM103    | CTN 10K 20% 100MW REF GM103      | RTC                               | 1       |
| R -032        | 2210021500             | 1K5 5% N4                      | 1K5 5% N4                        | SOUCOR                            | 1       |
| R -033        | 2210026800             | 6K8 5% N4                      | 6K8 5% N4                        | SOUCOR                            | 1       |
| R -034        | 2400001000             | 10R 5% N5                      | 10R 5% N5                        | SOUCOR                            | 1       |
| R -035        | 2905013900             | 390R 5,08 CC 5% NK3            | 390R 5,08 CC 5% NK3              | SOUCOR                            | 1       |
| R -036        | 2210022200             | 2K2 5% N4                      | 2K2 5% N4                        | SOUCOR                            | 1       |
| R -037        | 2210031500             | 15K 5% N4                      | 15K 5% N4                        | SOUCOR                            | 1       |
| R -038        | 2210003900             | 39R 5% N4                      | 39R 5% N4                        | SOUCOR                            | 1       |
| R -039        | 2210026800             | 6K8 5% N4                      | 6K8 5% N4                        | SOUCOR                            | 1       |
| R -040        | 2210012200             | 220R 5% N4                     | 220R 5% N4                       | SOUCOR                            | 1       |
| R -041        | 2905001500             | 15R 5,08 CC 5% NK3             | 15R 5,08 CC 5% NK3               | SOUCOR                            | 1       |
| R -042        | 2905004700             | 47R 5,08 CC 5% NK3             | 47R 5,08 CC 5% NK3               | SOUCOR                            | 1       |
| R -043        | 2210022000             | 2K0 5% N4                      | 2K0 5% N4                        | SOUCOR                            | 1       |
| R -044        | 2210031200             | 12K 5% N4                      | 12K 5% N4                        | SOUCOR                            | 1       |
| R -045        | 2905012200             | 220R 5,08 CC 5% NK3            | 220R 5,08 CC 5% NK3              | SOUCOR                            | 1       |
| R -046        | 2210012200             | 220R 5% N4                     | 220R 5% N4                       | SOUCOR                            | 1       |
| R -047        | 2210012200             | 220R 5% N4                     | 220R 5% N4                       | SOUCOR                            | 1       |
| R -048        | 2905001500             | 15R 5,08 CC 5% NK3             | 15R 5,08 CC 5% NK3               | SOUCOR                            | 1       |
| R -049        | 2905011500             | 150R 5,08 CC 5% NK3            | 150R 5,08 CC 5% NK3              | SOUCOR                            | 1       |
| R -050        | 2210022200             | 2K2 5% N4                      | 2K2 5% N4                        | SOUCOR                            | 1       |
| R -051        | 2905004700             | 47R 5,08 CC 5% NK3             | 47R 5,08 CC 5% NK3               | SOUCOR                            | 1       |
| R -052        | 2210024700             | 4K7 5% N4                      | 4K7 5% N4                        | SOUCOR                            | 1       |
| R -053        | 2210023300             | 3K3 5% N4                      | 3K3 5% N4                        | SOUCOR                            | 1       |
| R -054        | 2210024700             | 4K7 5% N4                      | 4K7 5% N4                        | SOUCOR                            | 1       |
| R -055        | 2905005100             | 51R 5,08 CC 5% NK3             | 51R 5,08 CC 5% NK3               | SOUCOR                            | 1       |
| R -056        | 2210011000             | 100R 5% N4                     | 100R 5% N4                       | SOUCOR                            | 1       |
| R -057        | 2905022700             | 2K7 5,08 CC 5% NK3             | 2K7 5,08 CC 5% NK3               | SOUCOR                            | 1       |
| R -058        | 2905031200             | 12K 5,08 CC 5% NK3             | 12K 5,08 CC 5% NK3               | SOUCOR                            | 1       |
| R -059        | 2210011000             | 100R 5% N4                     | 100R 5% N4                       | SOUCOR                            | 1       |
| R -060        | 2210041000             | 100K 5% N4                     | 100K 5% N4                       | SOUCOR                            | 1       |
| R -061        | 2210041000             | 100K 5% N4                     | 100K 5% N4                       | SOUCOR                            | 1       |
| R -062        | 2210041000             | 100K 5% N4                     | 100K 5% N4                       | SOUCOR                            | 1       |
| R -063        | 2210041000             | 100K 5% N4                     | 100K 5% N4                       | SOUCOR                            | 1       |
| R -064        | 2210041000             | 100K 5% N4                     | 100K 5% N4                       | SOUCOR                            | 1       |
| R -065        | 2210041000             | 100K 5% N4                     | 100K 5% N4                       | SOUCOR                            | 1       |
| R -066        | 2210022200             | 2K2 5% N4                      | 2K2 5% N4                        | SOUCOR                            | 1       |
| SN -001       | 4200360000             | TL 072 CP                      | * TL 072 CP                      | TEXAS                             | 1       |
| SN -002       | 4200360000             | TL 072 CP                      | * TL 072 CP                      | TEXAS                             | 1       |
| SN -003       | 4200770000             | AD 534 JH                      | * AD 534 JH                      | ANALOG DEVICES                    | 1       |
| SN -004       | 4200610000             | LM 358 N /B+                   | * LM 358 N /B+                   | NS                                | 1       |
| SN -005       | 4167437400             | C-MOS 74 C 374 N               | * C-MOS 74 C 374 N               | NS                                | 1       |
| SN -006       | 4160455600             | C-MOS 4556                     | * C-MOS 4556                     | RTC                               | 1       |

| REPERE INDEXE | REF. ADRET PART NUMBER | DESCRIPTION                     | PART DESCRIPTION                | FOURNISSEUR/PLAN SUPPLIER/DRAWING | QTE QTY |
|---------------|------------------------|---------------------------------|---------------------------------|-----------------------------------|---------|
| T -001        | 0216570000             | 00 F40 8X2 SPIRES               | 00 F40 8X2 TURNS                | Z94 F40.....10                    | 1       |
| T -002        | 0219700000             | 00 F10B ..... 20X10+10 SPIRES   | 00 F10B ..... 20X10+10 TURNS    | Z94 F10B.....40                   | 1       |
| T -003        | 0215770000             | 01 F40 3 SPIRES ..... 730A      | 01 F40 3 TURNS ..... 730A       | Z94 F40.....3                     | 1       |
| T -004        | 0215770000             | 01 F40 3 SPIRES ..... 730A      | 01 F40 3 TURNS ..... 730A       | Z94 F40.....3                     | 1       |
| T -005        | 0215770000             | 01 F40 3 SPIRES ..... 730A      | 01 F40 3 TURNS ..... 730A       | Z94 F40.....3                     | 1       |
| T -006        | 0215770000             | 01 F40 3 SPIRES ..... 730A      | 01 F40 3 TURNS ..... 730A       | Z94 F40.....3                     | 1       |
| Y -001        | 5100610000             | QUARTZ 8MHZ ..... PLAN A943059  | 8MHZ CRYSTAL ... PLAN A943059   | THOMSON ST MARI                   | 1       |
| Z1            | 1100810000             | TEFLON ORANGE REF ET JE 32 01   | ORANGE TEFLON REF ET JE 32 01   | FILECA                            | 0       |
| Z1            | 1100820000             | TEFLON VERT REF ET JE 32 01     | GREEN TEFLON REF ET JE 32 01    | FILECA                            | 0       |
| Z1            | 1276360400             | CI FM CONTINJE ..... 730A       | DC FM DC PC ..... 730A          |                                   | 1       |
| Z1            | 1300440000             | GAINÉ F3,2 FP301 1/8 . SFM 32   | SHEATH F3.2 FP301 1/8 . SFM 32  | HELLERMANN                        | 0       |
| Z1            | 1300590000             | SOUPLISSO 0.6X0.9 COUL.NATUREL  | SPAGHETTI 0.6X0.9 GRAY COLORED  | HABIA                             | 0       |
| Z1            | 1300900000             | PASSE FIL ..... REF 8-3-5-2     | FEED-THROUGH SLEEV.REF 8-3-5-2  | FAISANT                           | 1       |
| Z1            | 1400109900             | POINT TEST                      | TEST POINT                      | C940850                           | 6       |
| Z1            | 1400225600             | EMBOUT KX22A 'PARALL' 22205-110 | CAP KX22A 'PARALL' 22205-110    | ATI                               | 1       |
| Z4            | 4900080000             | ENTRETOISE DE CI ..... MON 10L  | PC SPACER ..... MON 10L         | JERMYN                            | 1       |
| Z4            | 4900300000             | 20 SUPPORT C.I. OIL J23-5020    | 20 CONNECTOR P.C. DIL J23-5020  | JERMYN                            | 1       |
| Z5            | 5400050000             | CALE ISOLANTE NEOSID POUR CI .  | NEOSID INSULATING QUIN FOR PC   | -940008                           | 6       |
| Z5            | 5500010000             | H20(4,1X2X3)                    | H20(4,1X2X3)                    | LCC-COFELEC                       | 1       |
| Z5            | 5500170000             | TORE 481 3,7X1,2X3,5            | TORE 481 3,7X1,2X3,5            | RTC                               | 1       |
| Z6            | 6140120600             | TC M2 X 6 U NFE27-115-4,6 INOX  | TC M2 X 6 U NFE27-115-4,6 INOX  | BD                                | 6       |
| Z6            | 6400180000             | COSSE A SOUDER 5,2 ..... 5G     | SOLDERING TERMINAL 5.2 ..... 5G | MFORM                             | 1       |
| Z6            | 6400260000             | PLOT LAITON ETAME PC12,7        | CONTACT TINNED BRASS PC12.7     | FONDEX                            | 5       |
| Z6            | 6400530000             | OEILLET LAITON ..... N° 2070    | FIXING EYELET BRASS .. N° 2070  | MFORM                             | 7       |
| Z6            | 6801010000             | BOITE .... REF OKW 45X30X15 BC  | BOX ..... REF OKW 45X30X15 BC   | OKATRON                           | 1       |
| Z6            | 6900140000             | COLLE ARALODITE                 | ARALDITE GLUE                   | SODIEMA                           | 0       |
| Z8            | 0280081129             | COUVERCLE OPTION FM CONT. 730A  | FM DC OPTION COVER ..... 730A   | C94.....                          | 1       |
| Z8            | 8008020100             | BARRETTE FIXAT. CARTE(M2) 740A  | (M2) BOARD ANCHOR BAR ... 740A  | B94.....                          | 1       |
| Z8            | 8108071000             | FROTTEUR CONTACT MASSE '2' 740A | GROUND CONTACT WIPER '2' 740A   |                                   | 2       |

**ADRET**ELECTRONIQUE®



L I S T E   d e s   C O M P O S A N T S

C O M P O N E N T S   L I S T

**ADRET**ELECTRONIQUE®

12, avenue Vladimir Komarov • BP 33 78192 Trappes Cedex • France  
Télex 051.00.74 • Tél. ADREL 697821 F • Fax 67980577 • 01 69 78 21 00

DESCRIPTION QTE U QTY M REF ADRET PART NUMBER

ADAPTATION RACK 730A/740A

FOURNISSEUR/PLAN SUPPLIER/DRAWING

N O R M E

| REF ADRET PART NUMBER | QTE U QTY M | DESCRIPTION                         | PART DESCRIPTION                  | FOURNISSEUR/PLAN SUPPLIER/DRAWING |
|-----------------------|-------------|-------------------------------------|-----------------------------------|-----------------------------------|
| 0107409001            | 1,00        | 00 PROLONGATEUR 35P ALIM. 740A      | 00 EXTENSION CORD 35P ... 740A    | A93                               |
| 0107409002            | 1,00        | 00 PROLONGATEUR 31P CARTE 740A      | 00 EXTENSION BOARD 31P ... 740A   | B93                               |
| 0107409010            | 1,00        | ADAPTATION RACK 730A/740A           | RACK ADAPTOR ... 730A/740A        | B93B0080266 2/2                   |
| 0107409011            | 1,00        | ADAPTATION RACK 730A/740A           | RACK ADAPTOR ... 730A/740A        | B93B0080211 2/2                   |
| 0204740000            | 1,00        | 00 MATTE 20'3X290'L SP 730A         | 00 FLAT-TOP 20'3X290'L SP 730A    | ADRET                             |
| 0204860000            | 1,00        | 01 COAX 2TR 320' L315 730A          | 01 COAX 2TR 320' L315 730A        | B94                               |
| 0204870000            | 1,00        | 02 COAX 2TR 320' L555 730A          | 02 COAX 2TR 320' L555 730A        | D94                               |
| 0204880000            | 1,00        | 00 COAX 251' L390 730A              | 00 COAX 251' L390 ... 730A        | A94                               |
| 0204890000            | 1,00        | 02 COAX 2TR 352' L230 730A          | 02 COAX 2TR 352' L230 730A        | C94                               |
| 0204900000            | 3,00        | 01 COAX 2TR 320' L385 730A          | 01 COAX 2TR 320' L385 730A        | B94                               |
| 0204920000            | 1,00        | 01 COAX 2TR 320' L430 730A          | 01 COAX 2TR 320' L430 730A        | B94                               |
| 0204950000            | 2,00        | 01 COAX 2TR 320' L255 730A          | 01 COAX 2TR 320' L255 730A        | B94                               |
| 0204960000            | 1,00        | 00 COAX 250' L440 730A              | 00 COAX 250' L440 ... 730A        | A94                               |
| 0205050000            | 1,00        | 02 COAX 2TR 320' L230 740A          | 02 COAX 2TR 320' L230 740A        | C94                               |
| 0205070000            | 2,00        | 00 OF 555 APPARIEES PAR 4 MEI       | 00 OF 555 MATCHED BY 4 ... MEI    | A98                               |
| 0205080000            | 4,00        | 01 BAT 19 APPARIEES PAR 4 MEI       | 01 BAT 19 MATCHED BY 4 ... MEI    | A98                               |
| 0205140000            | 2,00        | 01 COAX 214' L19 7100A              | 01 COAX 214' L19 ... 7100A        | A94                               |
| 0205180000            | 1,00        | 02 MATTE 14' 259' L210 740A         | 02FLAT-TOP14'259' L210 740A       | C94                               |
| 0205190000            | 1,00        | 01 MATTE 26' 177' L160 740A         | 01FLAT-TOP26'177' L160 740A       | ADRET                             |
| 0205200000            | 3,00        | 00 COAX 250' L250 740A              | 00 COAX 250' L250 ... 740A        | ADRET                             |
| 0205350000            | 1,00        | 01 MATTE 26' 177' L310 740A         | 01 FLAT-TOP 26'177' L310 740A     | A94                               |
| 0207301712            | 1,00        | 01 JEU D'EPROM P12/1 730A           | 01 EPROM SET P12/1 ... 730A       | ADRET                             |
| 0213770000            | 1,00        | 01 F40 3 SPIRES 730A                | 01 F40 3 TURNS ... 730A           | 294 F10B                          |
| 0215770000            | 4,00        | 01 F40 3 SPIRES 730A                | 01 F40 3 TURNS ... 730A           | 294 F40                           |
| 0216570000            | 1,00        | 00 F40 8X2 SPIRES 7100A             | 00 F40 8X2 TURNS ... 7100A        | ADRET                             |
| 0218260000            | 2,00        | 01 TORE FT6.3 T6 7100A              | 01 TORE FT6.3 T6 ... IEEE 7100A   | ADRET                             |
| 0218310000            | 1,00        | 00 F108 2X7+15 SPIRES 7100A         | 00 F108 2X7+15 TURNS ... 7100A    | ADRET                             |
| 0218330000            | 1,00        | 00 SELF 8A0 OSCILLATEUR 7100A       | OSCILLATOR MODULE COIL 7100A      | ADRET                             |
| 0219130000            | 1,00        | 00 F100(10X10) 0,8X4 SPIRE 740      | 00 F100(10X10) 0,8X4 TURNS 740    | 294 F100                          |
| 0219140000            | 13,00       | 02 BOUTON H20 3+3X3+3 SPIRES 740A   | 02 BUTTON H20 3+3X3+3 TURNS 740A  | 294 BH20                          |
| 0219170000            | 1,00        | 00 F10 9X2 SPIRES 740A              | 00 F10 9X2 TURNS ... 740A         | 294 F10                           |
| 0219250000            | 1,00        | 00 F100 1X4.5 SPIRES 740A           | 00 F100 1X4.5 TURNS ... 740A      | 294 F100                          |
| 0219290000            | 8,00        | 01 TORE F108 4 SPIR. X3FILS MEI     | 01 TORE F108 4TURNS. X3THRE. MEI  | ADRET                             |
| 0219580000            | 1,00        | 01 F40 3 SPIRES 730A                | 01 F40 ... 2X3+3 TURNS.           | 294 F40                           |
| 0219590000            | 2,00        | 01 BOUTON H20 3X1 SPIRES 730A       | 01 BUTTON H20 ... 3X1 TURNS.      | 294 BH20                          |
| 0219600000            | 2,00        | 01 F100 (10X10) 0,8X5,5 SPIRES 730A | 01 F100 (10X10) 0,8X5,5 TURNS.    | 294 F100                          |
| 0219610000            | 1,00        | 00 BOUTON H20 3X15+15 SPIRES 730A   | 00 BUTTON H20 3X15+15 TURNS.      | 294 BH20                          |
| 0219620000            | 1,00        | 01 BOUTON H20 3X2 SPIRES 730A       | 01 BUTTON H20 3X2 TURNS 730A      | 294 BH20                          |
| 0219630000            | 4,00        | 0 CAGE L139 TEFLON 730A             | 00 TEFLON L139-ENCLOSURE 730A     | ADRET                             |
| 0219640000            | 4,00        | 00 CAGE L113 TEFLON 730A            | 00 TEFLON L113-ENCLOSURE 730A     | ADRET                             |
| 0219690000            | 1,00        | 00 F40 3 SPIRES 730A                | 00 F40 ... 3X1+1 TURNS.           | A94 F40                           |
| 0219700000            | 1,00        | 00 F108 20MHZ 20X10+10 SPIRES 730A  | 00 F108 ... 20X10+10 TURNS.       | 294 F108                          |
| 0219720000            | 26,00       | 00 SELF 20MHZ (EX 530336) 730A      | 00 SELF 20MHZ ... (EX 530336)     | ADRET                             |
| 0254002400            | 4,08        | 00 POULIE F10 EQUIPEE *EMBASE 730A  | 00 FITTED PULLEY F10 *SOCKET      | ADRET                             |
| 0254002900            | 7,14        | 00 POULIE F40 EQUIPEE *EMBASE 730A  | 00 FITTED PULLEY F40 *SOCKET      | ADRET                             |
| 0271080634            | 8,00        | CLOISON 25 4 H103 740A              | 25 4 H103 DIVISION 740A           | C9471080634                       |
| 0273820100            | 1,00        | 02 ASSERVISSEMENT 2 740A            | 02 80MHZ PHASE LOCKING 2 ... 740A | F92                               |
| 0274850100            | 1,00        | 06 REDRESSEUR REGULATON 740A        | 06 POWER SUPPLY BOARD ... 740A    | F92                               |
| 0274750000            | 1,00        | 03 CARTE DIX MILLADE 730A           | 03 10 000 STEPS BOARD ... 730A    | E92                               |
| 0274760000            | 1,00        | 04 CARTE DEUX CENTADE 730A          | 04 200 STEPS BOARD ... 730A       | D92                               |
| 0274770000            | 1,00        | 05 CARTE ASS.MENT 400/580 730A      | 05 400/580 PHASE-LOCK OSC 730A    | H92                               |
| 0274780000            | 1,00        | 14 CARTE PAS DE 2MHZ 730A           | 14 2MHZ STEPS BOARD ... 730A      | P92                               |



N O R M E

FOURNISSEUR/PLAN  
SUPPLIER/DRAWING

DESCRIPTION

DESCRIPTION

QTE U  
QTY M

REF ADRET  
PART NUMBER

| REF ADRET<br>PART NUMBER | QTE U<br>QTY M | DESCRIPTION                 | DESCRIPTION                     | PART DESCRIPTION                | FOURNISSEUR/PLAN<br>SUPPLIER/DRAWING |
|--------------------------|----------------|-----------------------------|---------------------------------|---------------------------------|--------------------------------------|
| 0274800100               | 1.00           | 10 MODULATIONS '2'          | 10 MODULATIONS '2'              | 10 MODULATIONS '2'              | M92.....C98F97                       |
| 0274810000               | 1.00           | 04 CARTE ANALOGIQUE         | 04 ANALOG BOARD                 | 04 ANALOG BOARD                 | D92.....098097                       |
| 0274820000               | 1.00           | 02 PORTEUR EQUIPE           | 02 FITTED MOTHER                | 02 FITTED MOTHER                | B92(2).....                          |
| 0274950000               | 1.00           | 08 CARTE GENERATION 400     | 08 400 GENERATION BOARD         | 08 400 GENERATION BOARD         | H92.....C98D97                       |
| 0275200100               | 1.00           | 05 MODULE UHF (22,908M)     | 05 UHF MODULE (22,908M)         | 05 UHF MODULE (22,908M)         | H91.....C98D97                       |
| 0275530000               | 2.00           | 01 ME1 MODULATEUR ADRET     | 01 ME1 MODULATOR (ADRET)        | 01 ME1 MODULATOR (ADRET)        | ME1.....                             |
| 0275710100               | 1.00           | 01 BLOC ATTENUATEUR 'OMR'   | 01 ATTENUATOR ASSBLY 'OMR'      | 01 ATTENUATOR ASSBLY 'OMR'      | C92.....A97                          |
| 0275720000               | 1.00           | 06 CHASSIS EQUIPE           | 06 FITTED CHASSIS               | 06 FITTED CHASSIS               | G91.....A97                          |
| 0276050000               | 2.00           | 00 ME2 MODULATEUR ADRET     | 00 ME2 MODULATOR ADRET          | 00 ME2 MODULATOR ADRET          | A93.....                             |
| 0276130000               | 1.00           | BORNE DE MASSE              | GROUND TERMINAL                 | GROUND TERMINAL                 | A94.....                             |
| 0276380000               | 1.00           | 00 CARTER 'MODE OPERATOIRE' | 00 CARTER 'OPERATING CARD'      | 00 CARTER 'OPERATING CARD'      | A93.....                             |
| 0276450000               | 1.00           | 10 MODULE GENERATION 480    | 10 480 GENERATION MODULE        | 10 480 GENERATION MODULE        | T92.....E98D97                       |
| 0276630000               | 1.00           | 04 MANUELLE '5'             | 04 SPIN WHEEL '5'               | 04 SPIN WHEEL '5'               | C93.....A98A97                       |
| 0276970000               | 1.00           | 04 CPU '2'                  | 04 CPU '2'                      | 04 CPU '2'                      | E91.....A98E97                       |
| 0277340000               | 1.00           | 01 CARTE CDE & AFFICHAGE    | 01 DISPLAY BOARD                | 01 DISPLAY BOARD                | C92(2).....A97                       |
| 0277360000               | 1.00           | 01 FACE AVANT AFFICHAGE '3' | 01 DISPLAY FRONT PANEL '3'      | 01 DISPLAY FRONT PANEL '3'      | A92.....                             |
| 0280078208               | 4.00           | BARREAU INFERIEUR           | LOWER BAR                       | LOWER BAR                       | A93.....                             |
| 0280080213               | 2.00           | CADRE '3U'                  | 3U FRAME                        | 3U FRAME                        | D921217.....                         |
| 0280080233               | 8.00           | CLOISON BAQUET CARTE H103   | H103BOARD MODULE DIVISION       | H103BOARD MODULE DIVISION       | A94.....                             |
| 0280080254               | 4.00           | RADIATEUR REGULAT. LM317    | LM317 REGUL. DISSIPATOR         | LM317 REGUL. DISSIPATOR         | D93.....                             |
| 0280080265               | 1.00           | BARRETTE FIX. CONDENS ALIM  | POWER CAPACITOR ANCHOR BAR      | POWER CAPACITOR ANCHOR BAR      | B94.....                             |
| 0280081115               | 1.00           | COUVERCLE PAS DE 2MHZ       | 2MHZ STEPS COVER                | 2MHZ STEPS COVER                | B94.....                             |
| 0280081116               | 1.00           | COUVERCLE GENERATION 400    | 400 GENERATION COVER            | 400 GENERATION COVER            | B94.....                             |
| 0280081117               | 1.00           | COUVERCLE ASSURTSSEMENT     | PHASE-LOCK COVER                | PHASE-LOCK COVER                | A94.....                             |
| 0280081118               | 1.00           | COUVERCLE CARTE MODULAT.    | MODULATION BOARD COVER          | MODULATION BOARD COVER          | B94.....                             |
| 0280081120               | 1.00           | BOITIER OSCILLATEUR 80MHZ   | 80MHZ OSCILLATOR BOX            | 80MHZ OSCILLATOR BOX            | A93.....                             |
| 0280081129               | 1.00           | COUVERCLE OPTION FH CONT.   | FH DC OPTION COVER              | FH DC OPTION COVER              | C94.....                             |
| 0281080152               | 2.00           | FLASQUE '3U'                | 3U FLASK                        | 3U FLASK                        | E930271080152.....                   |
| 0406293000               | 1.00           | PILOTE STD 80MHZ 10-7 629C  | STD MASTER OSC. 80MHZ 10-7 629C | STD MASTER OSC. 80MHZ 10-7 629C | ADRET.....                           |
| 0405313000               | 1.00           | OPTION(1) 80MHZ 10-9 631C   | OPTION(1) 80MHZ 10-9 631C       | OPTION(1) 80MHZ 10-9 631C       | ADRET.....                           |
| 0407301000               | 1.00           | 09 730A AVANT OPTIONS       | 09 730A WITHOUT OPTION          | 09 730A WITHOUT OPTION          | M91.....698C97                       |
| 0407308301               | 1.00           | 05 OPTION 2 FM/DC           | 05 OPTION 2 FM/DC               | 05 OPTION 2 FM/DC               |                                      |
| 1007400000               | 1.00           | TRANSFO ALIM                | TRANSFORMER POWER SUPPLY        | TRANSFORMER POWER SUPPLY        | H93.....                             |
| 1100010000               | 0.87           | FIL NOIR                    | BLACK THREAD                    | BLACK THREAD                    | NFC UTEC 93-5                        |
| 1100020000               | 0.35           | FIL MARRON                  | BROWN THREAD                    | BROWN THREAD                    | NFC UTEC 93-5                        |
| 1100030000               | 0.30           | FIL ROUGE                   | RED THREAD                      | RED THREAD                      | NFC UTEC 93-5                        |
| 1100040000               | 0.58           | FIL ORANGE                  | ORANGE THREAD                   | ORANGE THREAD                   | NFC UTEC 93-5                        |
| 1100050000               | 0.10           | FIL JAUNE                   | YELLOW THREAD                   | YELLOW THREAD                   | NFC UTEC 93-5                        |
| 1100060000               | 0.30           | FIL VERT                    | GREEN THREAD                    | GREEN THREAD                    | NFC UTEC 93-5                        |
| 1100070000               | 0.30           | FIL BLEU                    | BLUE THREAD                     | BLUE THREAD                     | NFC UTEC 93-5                        |
| 1100080000               | 0.25           | FIL VIOLET                  | PURPLE THREAD                   | PURPLE THREAD                   | NFC UTEC 93-5                        |
| 1100100000               | 0.35           | FIL BLANC                   | WHITE THREAD                    | WHITE THREAD                    | NFC UTEC 93-5                        |
| 1100310000               | 0.25           | FIL NOIR SEC 0.93           | BLACK THREAD SEC 0.93           | BLACK THREAD SEC 0.93           | NFC UTEC 93-5                        |
| 1100320000               | 0.50           | FIL MARRON SEC 0.93         | BROWN THREAD SEC 0.93           | BROWN THREAD SEC 0.93           | NFC UTEC 93-5                        |
| 1100330000               | 0.50           | FIL ROUGE SEC 0.93          | RED THREAD SEC 0.93             | RED THREAD SEC 0.93             | NFC UTEC 93-5                        |
| 1100340000               | 0.18           | FIL ORANGE SEC 0.93         | ORANGE THREAD SEC 0.93          | ORANGE THREAD SEC 0.93          | NFC UTEC 93-5                        |
| 1100350000               | 0.35           | FIL JAUNE SEC 0.93          | YELLOW THREAD SEC 0.93          | YELLOW THREAD SEC 0.93          | NFC UTEC 93-5                        |
| 1100410000               | 0.20           | MATTE '4F' NA402 0.2MM2     | FLAT-T. 4F NA402 0.2MM2         | FLAT-T. 4F NA402 0.2MM2         | NFC UTEC 93-5                        |
| 1100430000               | 0.38           | COAX KX 21 A                | COAX KX 21 A                    | COAX KX 21 A                    | NFC UTEC 93-5                        |
| 1100440000               | 0.35           | CABLE BLINDE GRIS           | GREY ARMORED CABLE              | GREY ARMORED CABLE              | FILECA                               |
| 1100520000               | 0.02           | FIL. NU. ETAME 4/10         | TINNED BARE THREAD 4/10         | TINNED BARE THREAD 4/10         | ELECTROFIL                           |
| 1100530000               | 0.52           | FIL. NU. ETAME 6/10         | TINNED BARE THREAD 6/10         | TINNED BARE THREAD 6/10         | ELECTROFIL                           |
| 1100540000               | 0.08           | FIL. NU. ETAME 8/10         | TINNED BARE THREAD 8/10         | TINNED BARE THREAD 8/10         | ELECTROFIL                           |

N O R M E

Fournisseur/Plan  
 Supplier/Drawing  
 NFC UTEC 93-5

| REF. ADRET<br>PART NUMBER | QTE<br>QTY | U<br>M | DESCRIPTION                     | PART DESCRIPTION                | Fournisseur/Plan<br>Supplier/Drawing |
|---------------------------|------------|--------|---------------------------------|---------------------------------|--------------------------------------|
| 1100590000                | 0.27       | M      | COAX RIGIDE 50 OHM .. 8A-50-085 | RIGID COAX 50 OHM .. 8A-50-085  | SEALÉCTRO                            |
| 1100600000                | 2.71       | M      | FIL CUIVRE EMAIL SOUD. 60/100E  | THREAD 60/100E                  | ELECTROFIL                           |
| 1100630000                | 0.11       | M      | FIL CUIVRE SOUD. EMAIL 10/100E  | CU THREAD SOLD. ENEMAL 10/100E  | ELECTROFIL                           |
| 1100650000                | 0.10       | M      | FIL CU SOUD. EMAIL GRAI 12/100E | CU THREAD ENEMAL GRAI 12/100E   | ELECTROFIL                           |
| 1100660000                | 3.05       | M      | FIL CUIVRE SOUD. SOIE 12/100ES  | CU THREAD SOLD. SILK 12/100ES   | ELECTROFIL                           |
| 1100670000                | 17.13      | M      | FIL CUIVRE SOUD. EMAIL 15/100E  | CU THREAD SOLD. ENEMAL 15/100E  | ELECTROFIL                           |
| 1100690000                | 6.00       | M      | FIL CUIVRE SOUD. EMAIL 18/100E  | CU THREAD SOLD. ENEMAL 18/100E  | ELECTROFIL                           |
| 1100740000                | 3.14       | M      | FIL CUIVRE SOUD. EMAIL 30/100E  | CU THREAD SOLD. ENEMAL 30/100E  | ELECTROFIL                           |
| 1100810000                | 0.15       | M      | TEFLON ORANGE REF ET JE 32 01   | ORANGE TEFLON REF ET JE 32 01   | FILECA                               |
| 1100820000                | 0.18       | M      | TEFLON VERT REF ET JE 32 01     | GREEN TEFLON REF ET JE 32 01    | FILECA                               |
| 1100830000                | 0.31       | M      | CABLE(COND ROND TORS) 3365-20   | TWISTED ROUND CABLE 3365-20     | 3M                                   |
| 1100850000                | 1.65       | M      | FIL 15/100E VERT                | THREAD 15/100E GREEN            | ELECTROFIL                           |
| 1100870000                | 1.45       | M      | FIL 15/100E INCOLORE            | THREAD 15/100E GRAY             | ELECTROFIL                           |
| 1100910000                | 0.55       | M      | CABLE PLAT 26 CONDUCTEURS 3365  | FLAT CABLE 26 CONDUCTORS 3365   | 3M                                   |
| 1100950000                | 0.30       | M      | VERT/JAUNE .. HO7-U-K(1X1,5E1)  | GREEN/YELLOW HO7-U-K(1X1,5E1)   | FILECA                               |
| 1101100000                | 1.74       | M      | COAX KX 22 A                    | COAX KX 22 A                    | FILECA                               |
| 1101110000                | 3.50       | M      | COAX KX 22-2 TRESSSES F1709/PRO | COAX KX 22-2 BRAIDS F1709/PRO   | FILECA                               |
| 1101120000                | 0.23       | M      | CABLE PLAT 14 CONDUCTEURS 3365  | FLAT CABLE 14 CONDUCTORS 3365   | 3M                                   |
| 1101160000                | 0.65       | M      | FIL 15/100E BLEU                | FIL 15/100E BLEU                | ELECTROFIL                           |
| 1273821000                | 1.00       | M      | CI ASSERVISSEMENT 740A          | PHASE-LOCKING PC 740A           | M997382.....TM                       |
| 1274660500                | 1.00       | M      | CI REDRESSEUR REGULATION 730A   | REGULATION RECTIFIER PC 740A    | E997466.....TM                       |
| 1274750500                | 1.00       | M      | OI DIX MILLADE 730A             | 10 000 STEPS PC 730A            | F997475.....TM                       |
| 1274760400                | 1.00       | M      | CI OEUX CENTADE 730A            | 200 STEPS PC 730A               | O997476.....TM                       |
| 1274771100                | 1.00       | M      | CI ASSERVISSEMENT 400/580 730A  | CI ASSERVISSEMENT 730A          | M997477.....TM                       |
| 1274780900                | 1.00       | M      | CI PAS DE 2MHZ 730A             | 2 MHZ STEPS PC 730A             | L997478.....TM                       |
| 1274801200                | 1.00       | M      | CI MODULATION 730A              | MODULATION PC 730A              | M997480.....TM                       |
| 1274810700                | 1.00       | M      | CI ANALOGIQUE 730A              | ANALOGIC PC 730A                |                                      |
| 1274820500                | 1.00       | M      | CI PORTEUR 730A                 | MOTHER BOARD PC 730A            |                                      |
| 1274991000                | 1.00       | M      | CI GENERATION 400MHZ 730A       | 400MHZ GENERATION PC 730A       | E997482.....TM                       |
| 1275201100                | 1.00       | M      | CI VHF 730A                     | VHF PC 730A                     | L997499.....TM                       |
| 1275500000                | 1.00       | M      | CI PROLONGATEUR 31PTS 740A      | 31PTS EXTENDER PC 740A          | M997520.....TM                       |
| 1275510000                | 1.00       | M      | CI PROLONGATEUR 35PTS 740A      | 35PTS EXTENDER PC 740A          | 99.....                              |
| 1275530000                | 4.00       | M      | CI MODULATEUR 740A              | MODULATEUR PC 740A              | 99.....                              |
| 1275710300                | 1.00       | M      | CI ATTENUATEUR ME1              | ATTENUATOR PC ME1               | A997553 CIDM                         |
| 1276360400                | 1.00       | M      | CI FM CONTINUE 730A             | DC FM DC PC 730A                | G997571.....TM                       |
| 1276450400                | 1.00       | M      | CI MODULE GENERATION 730A       | OO GENERATION MODULE 730A       |                                      |
| 1276630100                | 1.00       | M      | CI MANUELLE '5' 740A            | '5' HANDLE PC 740A              | E99.....TM                           |
| 1276970200                | 1.00       | M      | CI CPU'2' 740A                  | CPU'2' PC 740A                  | A997669.....TM                       |
| 1277340100                | 1.00       | M      | CI AFFICHAGE 730A/740A          | D35PLAY PC 740A                 | B997697.....TM                       |
| 1300060000                | 2.14       | M      | COLLIER H1P                     | COLLAR H1P                      | C99.....TM                           |
| 1300070000                | 2.04       | M      | COLLIER H2P                     | COLLAR H2P                      | HELLERMAN                            |
| 1300430000                | 0.10       | M      | GAINÉ F2,4 FP301 3/32 SFH 24    | SHEATH F2.4 FP301 3/32 SFH 24   | HELLERMANN                           |
| 1300450000                | 0.02       | M      | GAINÉ F3,2 FP301 1/8 SFH 32     | SHEATH F3.2 FP301 1/8 SFH 32    | HELLERMANN                           |
| 1300450000                | 0.15       | M      | GAINÉ F4,8 FP301 3/16 SFH 48    | SHEATH F4.8 FP301 3/16 SFH 48   | HELLERMANN                           |
| 1300460000                | 0.10       | M      | GAINÉ F6,4 FP301 1/4 SFH 64     | SHEATH F6.4 FP301 1/4 SFH 64    | HELLERMANN                           |
| 1300530000                | 0.05       | M      | SOUPLISSO 0,6X0,9 COUL.NATUREL  | SPAGHETTI 0.6X0.9 GRAY COLORED  | HABIA                                |
| 1300600000                | 0.05       | M      | SOUPLISSO 1X1,2 COUL.NATUREL    | SPAGHETTI 1X1.2 GRAY COLORED    | HABIA                                |
| 1300810000                | 15.30      | M      | TY-RAP                          | TY-RAP                          | PANDUIT                              |
| 1300900000                | 5.10       | M      | PASSE FIL .. REF 8-3-5-2        | FEED-THROUGH SLEEVE REF 8-3-5-2 | FAISANT                              |
| 1300910000                | 16.00      | M      | PLOT CREUX A SERTIR 1542/M11    | HOLLOW CONT TO SQUEEZE 1542/M11 | A942917GAUTHIER                      |
| 1300920000                | 32.00      | M      | PLOT TOURELLE A SERTIR SMS272   | TURREL CONT. TO SQUEEZE SMS272  | A942916GAUTHIER                      |
| 1400109900                | 57.12      | M      | POINT TEST                      | TEST POINT                      | C940850                              |
| 1400200500                | 1.00       | M      | BNC EMBASE FEMEL ECROU R141557  | BNC FEMALE SOCKET NUT R141557   | RADIALL                              |
| 1400202600                | 1.00       | M      | KMC13-1 EMBASE MALE COUDEE CI   | KMC13-1 MALE BENDED SOCKET PC   | SEALÉCTRO                            |

N O R M E

Fournisseur/Plan  
Supplier/Drawing

DESCRIPTION

DESCRIPTION

PART DESCRIPTION

QTE U  
QTY H

REF ADRET  
PART NUMBER

| REF ADRET<br>PART NUMBER | QTE U<br>QTY H | DESCRIPTION                        | DESCRIPTION                      | Fournisseur/Plan<br>Supplier/Drawing |
|--------------------------|----------------|------------------------------------|----------------------------------|--------------------------------------|
| 1400202700               | 2,00           | BNC EMBASE CARRE M2,5 R141404      | BNC SQUARE SOCKET M2.5 R141404   | RADIALL                              |
| 1400210300               | 2,00           | CHARGE 50R/CHAINET, R404011120     | LOAD 50R ..... R404011120        | RADIALL                              |
| 1400215000               | 1,00           | KM09 EMBASE MALE FIXAT ARRIERE     | KM09 REAR ANCHOR .....           | RADIALL                              |
| 1400215600               | 7,00           | KM011 EMBASE COUDEE FIXAT PANN     | KM011 BENDED SOCKET PAN ANCHOR   | RADIALL                              |
| 1400217300               | 11,00          | KM010 EMBASE MALE FIXAT, AVANT     | KM010 MALE SOCKET FRONT ANCHOR   | SEALLECTRO                           |
| 1400219300               | 1,00           | KM012 EMBASE DROITE, MALE, CI      | 00 KM012 STRAIGHT ..... CI       | SEALLECTRO                           |
| 1400221000               | 2,00           | KM07 FICHE DROITE H PANN KX21A     | KM07 STRAIGHT PLUG ..... KX21A   | RADIALL                              |
| 1400221100               | 1,00           | N EMBASE FEMEL PLATINE R161404     | N FEMALE SOCKET ..... R161404    | RADIALL                              |
| 1400221400               | 2,00           | KM03 FICHE FEMEL COUDEE KX21A      | KM03 BENDED FEMALE PLUG KX21A    | SEALLECTRO                           |
| 1400225000               | 8,00           | KM02 FICHE FEMEL DROITE KX22A      | KM02 PLUG FEM STRAIGHT KX22A     | RADIALL                              |
| 1400225100               | 2,00           | KM04 FICHE FEMEL COUDEE KX22A      | KM04 PLUG FEM BENDED KX22A       | RADIALL                              |
| 1400225500               | 17,00          | EMBASE COAXIALE TEST, TR 540       | TEST POINT HF ..... TR 540       | TRELEC(A932398)                      |
| 1400225600               | 6,00           | EMBOUT KX22A PARALL, 22205-110     | CAP KX22A PARALL, 22205-110      | ATI                                  |
| 1400226300               | 2,00           | BNC EMBASE C. P. ET OUP, R141254   | BNC SOCKET STUFFINGBOX R141254   | RADIALL                              |
| 1400232000               | 11,00          | FICHE COUD. SERTIR 50-328318822    | BENDED PLUG TO 50.50-328318822   | SEALLECTRO                           |
| 1400234700               | 11,00          | FERULE KX22-2, TR, 40001-42-11     | FERULE KX22-2, TR, 40001-42-11   | SEALLECTRO                           |
| 1402023800               | 2,00           | SHUNT ..... REF: 142-270-1         | SHUNT ..... REF: 142-270-1       | AMP                                  |
| 1403023700               | 2,00           | BARRETTTE ..... SB03 2,54 L14      | SMALL BAR ..... SB03 2,54 L14    | SODISTREL                            |
| 1404024700               | 5,00           | EMBASE MALE 4POINTS 22-27-2041     | MALE SOCKET 4POINTS 22-27-2041   | MOLEX                                |
| 1404024800               | 6,00           | BOITIER 4PTS ..... REF 22-01-2045  | COLLET 4PTS ..... REF 22-01-2045 | MOLEX                                |
| 1404030700               | 1,00           | EMBASE MALE COUDEE 22-05-7048      | MALE BENDED SOCKET 22-05-7048    | MOLEX                                |
| 1405028500               | 1,00           | BOITIER 5 PTS ..... 22-01-2055     | COLLET 5 PTS ..... 22-01-2055    | MOLEX                                |
| 1405029700               | 1,00           | EMBASE M.COUDEE ..... REF 7395-058 | MALE BENDED SOCKET REF7395-058   | MOLEX                                |
| 1409003200               | 1,00           | DE 9 S ..... FEMELLE               | DE 9 S ..... FEMALE              | SOURTIAU                             |
| 1409014200               | 1,00           | DE 09S 400 ..... FEMELLE POUR CI   | DE 09S 400 ..... FEMALE FOR PC   | SOURTIAU                             |
| 1412023200               | 22,44          | PINGE/14120231 ..... REF4809-CL    | SQUEEZING/14120231 REF4809-CL    | MOLEX                                |
| 1414025800               | 1,00           | 14CTS TYPE DIP 14 ..... 3406-0000  | 14CTS TYPE DIP 14, 3406-0000     | 3M                                   |
| 1414025900               | 1,00           | 14CTS DIP BLUE MACS 609141 DSM     | 14CTS DIP BLUE MACS 609141 DSM   | ANSLEY                               |
| 1420026700               | 2,00           | 20 TRANSITION COUDE 3428-5202      | 20 BENDED LINKAGE 3428-5202      | 3M                                   |
| 1420028900               | 2,00           | 20 TRANS DROIT EJECT 3428-6202     | 20 STRAIGHT LINKAGE 3428-6202    | 3M                                   |
| 1420029000               | 3,00           | 20 TRANSITION W/P 3421-6000        | 20 W/P LINKAGE 3421-6000         | 3M                                   |
| 1424024400               | 1,00           | 24CTS BUS ..... REF 3549/1000      | 24CTS BUS ..... REF 3549/1000    | 3M                                   |
| 1426017100               | 1,00           | 26CTS TYPE PCB 3434-0000           | 26CTS TYPE PCB 3434-0000         | 3M                                   |
| 1426017700               | 2,00           | 26CTS TRANSITION W/P 3399-6000     | 26CTS W/P LINKAGE 3399-6000      | 3M                                   |
| 1426020000               | 2,00           | 26 TRANSITION COUDE 3423-5003      | 26 BENDED LINKAGE 3423-5003      | 3M                                   |
| 1431001300               | 10,00          | TM 31 MCIG ..... MALE/CARTE        | TM 31 MCIG .....                 | TRELEC                               |
| 1431003400               | 1,00           | 31PTS FEMEL ..... FEMELLE COUDEE   | 31PTS FEMALE 8623-31-64-14-335   | TRELEC                               |
| 1431026600               | 9,00           | TM 35 MCIG ..... MALE/CARTE        | TM 35 MCIG .....                 | TRELEC                               |
| 1435004600               | 2,00           | TM 35 FCI0G ..... FEMELLE PORTEUR  | TM 35 FCI0G .....                | TRELEC                               |
| 1435004700               | 1,00           | TM 35 FCI0G ..... FEMELLE/CARTE    | TM 35 FCI0G .....                | TRELEC                               |
| 1435013500               | 1,00           | INTER POLE ..... REF 1801-1102     | SWITCHE 1 POLE REF 1801-1102     | MARQUART                             |
| 1530216100               | 1,00           | POUSSOIR MICRO ..... REF 8631-C-B  | PUSH BUTTON ..... REF 8631-C-B   | C&K                                  |
| 1530216700               | 1,00           | DIP 7 INTERRUPTEURS ..... DIP-07   | DIP 7 SWITCHES ..... DIP-07      | C & K                                |
| 1530717300               | 12,00          | 16X8 GRIS CLAIR ..... 6450-0001    | 16X8 BRIGHT GREY ..... 6450-0001 | MARQUART                             |
| 1550810100               | 6,00           | 08X16 GRIS FONCE ..... 6450-0003   | 08X16 DARK GREY ..... 6450-0003  | MARQUART                             |
| 1550830100               | 3,00           | 08X16 ANTHRACITE ..... 6450-0005   | 08X16 ANTHRACITE ..... 6450-0005 | MARQUART                             |
| 1551600000               | 12,00          | CORPS TOUCHE 16X16 6420-0101       | CORPS TOUCHE 16X16 6420-0101     | MARQUARDT                            |
| 1551615100               | 2,00           | CABOCHON G/C 826-000-031           | CABOCHON G/C 826-000-031         | MARQUARDT                            |
| 1551630100               | 1,00           | 16X16 GR/FONCE 1, 6401-0013        | 16X16 DARK GREY 1, 6401-0013     | MARQUARDT                            |
| 1551630200               | 1,00           | 16X16 GR/FONCE 2, 6401-0023        | 16X16 DARK GREY 2, 6401-0023     | MARQUARDT                            |
| 1551630300               | 1,00           | 16X16 GR/FONCE 3, 6401-0033        | 16X16 DARK GREY 3, 6401-0033     | MARQUARDT                            |
| 1551635400               | 1,00           | CABOCHON G/F 826-004-021-4         | CABOCHON G/F 826-004-021-4       | MARQUARDT                            |
| 1551635500               | 1,00           | CABOCHON G/F 826-005-021-5         | CABOCHON G/F 826-005-021-5       | MARQUARDT                            |



LISTE COMPOSANTS - COMPONENTS LIST

| REF ADRET<br>PART NUMBER | QTE<br>QTY | U<br>M | DESCRIPTION | PART DESCRIPTION | FOURNISSEUR/PLAN<br>SUPPLIER/DRAWING | N O R M E     |
|--------------------------|------------|--------|-------------|------------------|--------------------------------------|---------------|
| 2210012700               | 5,10       | 270R   | 5X NH       | 270R             | 5X NH                                | RC-21 NFC 832 |
| 2210013300               | 35,70      | 330R   | 5X NH       | 330R             | 5X NH                                | RC-21 NFC 832 |
| 2210013900               | 3,06       | 390R   | 5X NH       | 390R             | 5X NH                                | RC-21 NFC 832 |
| 2210014700               | 25,50      | 470R   | 5X NH       | 470R             | 5X NH                                | RC-21 NFC 832 |
| 2210015600               | 9,18       | 560R   | 5X NH       | 560R             | 5X NH                                | RC-21 NFC 832 |
| 2210016200               | 1,02       | 620R   | 5X NH       | 620R             | 5X NH                                | RC-21 NFC 832 |
| 2210016800               | 14,28      | 680R   | 5X NH       | 680R             | 5X NH                                | RC-21 NFC 832 |
| 2210018200               | 2,04       | 820R   | 5X NH       | 820R             | 5X NH                                | RC-21 NFC 832 |
| 2210021000               | 36,72      | 1K0    | 5X NH       | 1K0              | 5X NH                                | RC-21 NFC 832 |
| 2210021200               | 8,16       | 1K2    | 5X NH       | 1K2              | 5X NH                                | RC-21 NFC 832 |
| 2210021500               | 8,16       | 1K5    | 5X NH       | 1K5              | 5X NH                                | RC-21 NFC 832 |
| 2210021800               | 12,24      | 1K8    | 5X NH       | 1K8              | 5X NH                                | RC-21 NFC 832 |
| 2210022000               | 1,02       | 2K0    | 5X NH       | 2K0              | 5X NH                                | RC-21 NFC 832 |
| 2210022200               | 33,66      | 2K2    | 5X NH       | 2K2              | 5X NH                                | RC-21 NFC 832 |
| 2210022700               | 4,08       | 2K7    | 5X NH       | 2K7              | 5X NH                                | RC-21 NFC 832 |
| 2210023300               | 20,40      | 3K3    | 5X NH       | 3K3              | 5X NH                                | RC-21 NFC 832 |
| 2210023900               | 1,02       | 3K9    | 5X NH       | 3K9              | 5X NH                                | RC-21 NFC 832 |
| 2210024700               | 27,54      | 4K7    | 5X NH       | 4K7              | 5X NH                                | RC-21 NFC 832 |
| 2210026800               | 4,08       | 6K8    | 5X NH       | 6K8              | 5X NH                                | RC-21 NFC 832 |
| 2210028200               | 3,06       | 8K2    | 5X NH       | 8K2              | 5X NH                                | RC-21 NFC 832 |
| 2210031000               | 47,94      | 10K    | 5X NH       | 10K              | 5X NH                                | RC-21 NFC 832 |
| 2210031200               | 8,16       | 12K    | 5X NH       | 12K              | 5X NH                                | RC-21 NFC 832 |
| 2210031500               | 5,10       | 15K    | 5X NH       | 15K              | 5X NH                                | RC-21 NFC 832 |
| 2210032200               | 4,08       | 22K    | 5X NH       | 22K              | 5X NH                                | RC-21 NFC 832 |
| 2210032700               | 1,02       | 27K    | 5X NH       | 27K              | 5X NH                                | RC-21 NFC 832 |
| 2210033300               | 9,18       | 33K    | 5X NH       | 33K              | 5X NH                                | RC-21 NFC 832 |
| 2210033900               | 1,02       | 39K    | 5X NH       | 39K              | 5X NH                                | RC-21 NFC 832 |
| 2210034700               | 5,10       | 47K    | 5X NH       | 47K              | 5X NH                                | RC-21 NFC 832 |
| 2210035600               | 2,04       | 56K    | 5X NH       | 56K              | 5X NH                                | RC-21 NFC 832 |
| 2210036800               | 3,06       | 68K    | 5X NH       | 68K              | 5X NH                                | RC-21 NFC 832 |
| 2210038200               | 1,02       | 82K    | 5X NH       | 82K              | 5X NH                                | RC-21 NFC 832 |
| 2210041000               | 58,14      | 100K   | 5X NH       | 100K             | 5X NH                                | RC-21 NFC 832 |
| 2210041200               | 2,04       | 120K   | 5X NH       | 120K             | 5X NH                                | RC-21 NFC 832 |
| 2210041500               | 1,02       | 150K   | 5X NH       | 150K             | 5X NH                                | RC-21 NFC 832 |
| 2210041800               | 1,02       | 180K   | 5X NH       | 180K             | 5X NH                                | RC-21 NFC 832 |
| 2210042200               | 3,06       | 220K   | 5X NH       | 220K             | 5X NH                                | RC-21 NFC 832 |
| 2210042700               | 1,02       | 270K   | 5X NH       | 270K             | 5X NH                                | RC-21 NFC 832 |
| 2210043300               | 2,04       | 330K   | 5X NH       | 330K             | 5X NH                                | RC-21 NFC 832 |
| 2210044700               | 1,02       | 470K   | 5X NH       | 470K             | 5X NH                                | RC-21 NFC 832 |
| 2210051000               | 3,06       | 1M     | 5X NH       | 1M               | 5X NH                                | RC-21 NFC 832 |
| 2300092700               | 1,02       | 2R7    | SFR 25      | 2R7              | SFR 25                               | RC-3T NFC 832 |
| 2400001000               | 1,02       | 10R    | 5X N5       | 10R              | 5X N5                                | RC-3T NFC 832 |
| 2400004700               | 1,02       | H7R    | 5X N5       | H7R              | 5X N5                                | RC-3T NFC 832 |
| 2490011800               | 7,14       | 180R   | 5X N5       | 180R             | 5X N5                                | RC-3T NFC 832 |
| 2500010000               | 3,06       | 100R   | 5X N5       | 100R             | 5X N5                                | RC-3T NFC 832 |
| 2500010200               | 1,02       | 102R   | 5X N5       | 102R             | 5X N5                                | RC-3T NFC 832 |
| 2500011500               | 2,04       | 115R   | 5X N5       | 115R             | 5X N5                                | RC-3T NFC 832 |
| 2500015000               | 3,06       | 150R   | 5X N5       | 150R             | 5X N5                                | RC-3T NFC 832 |
| 2500018200               | 6,12       | 182R   | 5X N5       | 182R             | 5X N5                                | RC-3T NFC 832 |
| 2500022100               | 2,04       | 221R   | 5X N5       | 221R             | 5X N5                                | RC-3T NFC 832 |
| 2500023700               | 4,08       | 237R   | 5X N5       | 237R             | 5X N5                                | RC-3T NFC 832 |
| 2500024300               | 2,04       | 243R   | 5X N5       | 243R             | 5X N5                                | RC-3T NFC 832 |
| 2500024900               | 1,02       | 249R   | 5X N5       | 249R             | 5X N5                                | RC-3T NFC 832 |
| 2500030100               | 1,02       | 301R   | 5X N5       | 301R             | 5X N5                                | RC-3T NFC 832 |

LISTE COMPOSANTS \* COMPONENTS LIST

| REF ADRET<br>PART NUMBER | QTE<br>U | DESCRIPTION | PART DESCRIPTION | FOURNISSEUR/PLAN<br>SUPPLIER/DRAWING | N O R M E  |
|--------------------------|----------|-------------|------------------|--------------------------------------|------------|
| 2500030900               | 1.02     | 309R        | SHA207           | DRALORIC                             |            |
| 2500040200               | 2.04     | 402R        | SHA207           | DRALORIC                             |            |
| 2500045300               | 1.02     | 453R        | SHA207           | DRALORIC                             |            |
| 2500060400               | 2.04     | 604R        | SHA207           | DRALORIC                             | CC NYS     |
| 2500063400               | 3.06     | 634R        | SHA207           | DRALORIC                             |            |
| 2500071500               | 3.06     | 715R        | SHA207           | DRALORIC                             |            |
| 2500073200               | 2.04     | 732R        | SHA207           | DRALORIC                             |            |
| 2500088700               | 1.02     | 887R        | SHA207           | DRALORIC                             |            |
| 2500090900               | 1.02     | 909R        | SHA207           | DRALORIC                             |            |
| 2500095300               | 1.02     | 953R        | SHA207           | DRALORIC                             |            |
| 2500110000               | 5.10     | 1K00        | SHA207           | DRALORIC                             |            |
| 2500112700               | 1.02     | 1K27        | SHA207           | DRALORIC                             |            |
| 2500114000               | 1.02     | 1K40        | SHA207           | DRALORIC                             |            |
| 2500115800               | 2.04     | 1K58        | SHA207           | DRALORIC                             |            |
| 2500116900               | 1.02     | 1K69        | SHA207           | DRALORIC                             |            |
| 2500117400               | 1.02     | 1K74        | SHA207           | DRALORIC                             |            |
| 2500120500               | 1.02     | 2K05        | SHA207           | DRALORIC                             |            |
| 2500121500               | 1.02     | 2K15        | SHA207           | DRALORIC                             |            |
| 2500122600               | 1.02     | 2K26        | SHA207           | DRALORIC                             |            |
| 2500124900               | 1.02     | 2K49        | SHA207           | DRALORIC                             |            |
| 2500126100               | 3.06     | 2K61        | SHA207           | DRALORIC                             |            |
| 2500127400               | 2.04     | 2K74        | SHA207           | DRALORIC                             |            |
| 2500149900               | 3.06     | 4K99        | SHA207           | DRALORIC                             |            |
| 2500151100               | 1.02     | 5K11        | SHA207           | DRALORIC                             | CC NYS     |
| 2500157600               | 1.02     | 5K76        | SHA207           | DRALORIC                             |            |
| 2500160400               | 1.02     | 6K04        | SHA207           | DRALORIC                             |            |
| 2500166500               | 1.02     | 6K65        | SHA207           | DRALORIC                             |            |
| 2500175000               | 2.04     | 7K50        | SHA207           | DRALORIC                             |            |
| 2500195300               | 2.04     | 9K53        | SHA207           | DRALORIC                             |            |
| 2500197600               | 1.02     | 9K76        | SHA207           | DRALORIC                             |            |
| 2500210000               | 11.22    | 10K0        | SHA207           | DRALORIC                             |            |
| 2500212700               | 2.04     | 12K7        | SHA207           | DRALORIC                             |            |
| 2500213000               | 2.04     | 13K0        | SHA207           | DRALORIC                             |            |
| 2500214000               | 1.02     | 14K0        | SHA207           | DRALORIC                             |            |
| 2500216900               | 2.04     | 16K9        | SHA207           | DRALORIC                             |            |
| 2500219600               | 1.02     | 19K6        | SHA207           | DRALORIC                             |            |
| 2500221500               | 3.06     | 21K5        | SHA207           | DRALORIC                             |            |
| 2500224900               | 3.06     | 24K9        | SHA207           | DRALORIC                             |            |
| 2500227400               | 1.02     | 27K4        | SHA207           | DRALORIC                             |            |
| 2500232400               | 3.06     | 32K4        | SHA207           | DRALORIC                             |            |
| 2500235500               | 2.04     | 35K5        | SHA207           | DRALORIC                             | RS-63Y NYS |
| 2500239200               | 1.02     | 39K2        | SHA207           | DRALORIC                             |            |
| 2500249900               | 1.02     | 49K9        | SHA207           | DRALORIC                             |            |
| 2500258100               | 1.02     | 58K1        | SHA207           | DRALORIC                             |            |
| 2500259000               | 1.02     | 59K0        | SHA207           | DRALORIC                             |            |
| 2500261900               | 1.02     | 61K9        | SHA207           | DRALORIC                             |            |
| 2500264900               | 1.02     | 64K9        | SHA207           | DRALORIC                             |            |
| 2500268100               | 2.04     | 68K1        | SHA207           | DRALORIC                             |            |
| 2500273200               | 2.04     | 73K2        | SHA207           | DRALORIC                             |            |
| 2500275000               | 2.04     | 75K0        | SHA207           | DRALORIC                             |            |
| 2500286600               | 1.08     | 86K6        | SHA207           | DRALORIC                             |            |
| 2500293100               | 2.04     | 93K1        | SHA207           | DRALORIC                             |            |
| 2500310000               | 1.00K    | 100K        | SHA207           | DRALORIC                             |            |
| 2500321500               | 3.06     | 215K        | SHA207           | DRALORIC                             |            |
| 2500341200               | 4.12K    | 412K        | SHA207           | DRALORIC                             |            |

| REF AORET<br>PART NUMBER | QTE<br>QTY | U<br>M | DESCRIPTION     | PART DESCRIPTION | FOURNISSEUR/PLAN<br>SUPPLIER/DRAWING | N O R M E |
|--------------------------|------------|--------|-----------------|------------------|--------------------------------------|-----------|
| 2500922100               | 2,04       |        | 22R1 1X 0 3 U   | SMA207           | DRALORIC                             |           |
| 2500922700               | 1,02       |        | 22R7 1X 0 3 U   | SMA207           | DRALORIC                             |           |
| 2500952300               | 7,14       |        | 52R3 1X 0 3 U   | SMA207           | DRALORIC                             |           |
| 2500958100               | 4,08       |        | 58R1 1X 0 3 U   | SMA207           | DRALORIC                             |           |
| 2500978700               | 1,02       |        | 78R7 1X 0 3 U   | SMA207           | DRALORIC                             |           |
| 2610911800               | 2,00       |        | 9X180R 2X       | BOLRNS           |                                      |           |
| 2610922200               | 3,00       |        | 9X2X 2X         | BOLRNS           |                                      |           |
| 2610924700               | 3,00       |        | 9X4K7 2X        | BOLRNS           |                                      |           |
| 2610932200               | 4,00       |        | 9X22K 2X        | BOLRNS           |                                      |           |
| 2800081800               | 2,00       |        | DR18 4N 10X 808 | SFERNICE         |                                      |           |
| 2900002200               | 2,04       |        | 22R             | SOUOR            |                                      |           |
| 2900005600               | 4,08       |        | 56R             | SOUOR            |                                      |           |
| 2900008200               | 2,04       |        | 82R             | SOUOR            |                                      |           |
| 2900012200               | 2,04       |        | 22OR            | SOUOR            |                                      |           |
| 2905091000               | 26,52      |        | 10R 2K2         | SOUOR            |                                      |           |
| 2905001500               | 27,54      |        | 15R             | SOUOR            |                                      |           |
| 2905001800               | 5,10       |        | 18R             | SOUOR            |                                      |           |
| 2905002200               | 30,60      |        | 22R             | SOUOR            |                                      |           |
| 2905002700               | 3,06       |        | 27R             | SOUOR            |                                      |           |
| 2905003300               | 4,08       |        | 33R             | SOUOR            |                                      |           |
| 2905003900               | 8,16       |        | 39R             | SOUOR            |                                      |           |
| 2905004700               | 19,38      |        | 47R             | SOUOR            |                                      |           |
| 2905005100               | 17,34      |        | 51R             | SOUOR            |                                      |           |
| 2905005600               | 2,04       |        | 56R             | SOUOR            |                                      |           |
| 2905006800               | 3,06       |        | 68R             | SOUOR            |                                      |           |
| 2905008200               | 8,16       |        | 82R             | SOUOR            |                                      |           |
| 2905011000               | 12,24      |        | 100R            | SOUOR            |                                      |           |
| 2905011500               | 4,08       |        | 150R            | SOUOR            |                                      |           |
| 2905011800               | 4,08       |        | 180R            | SOUOR            |                                      |           |
| 2905012200               | 14,28      |        | 220R            | SOUOR            |                                      |           |
| 2905012700               | 9,18       |        | 270R            | SOUOR            |                                      |           |
| 2905013300               | 11,22      |        | 330R            | SOUOR            |                                      |           |
| 2905013900               | 1,02       |        | 390R            | SOUOR            |                                      |           |
| 2905014700               | 26,52      |        | 470R            | SOUOR            |                                      |           |
| 2905015600               | 10,20      |        | 560R            | SOUOR            |                                      |           |
| 2905016800               | 23,46      |        | 680R            | SOUOR            |                                      |           |
| 2905018200               | 6,12       |        | 820R            | SOUOR            |                                      |           |
| 2905021000               | 17,34      |        | 1K              | SOUOR            |                                      |           |
| 2905021200               | 5,10       |        | 1K2             | SOUOR            |                                      |           |
| 2905021500               | 3,06       |        | 1K5             | SOUOR            |                                      |           |
| 2905021800               | 1,02       |        | 1K8             | SOUOR            |                                      |           |
| 2905022200               | 5,10       |        | 2K2             | SOUOR            |                                      |           |
| 2905022700               | 3,06       |        | 2K7             | SOUOR            |                                      |           |
| 2905023300               | 3,06       |        | 3K3             | SOUOR            |                                      |           |
| 2905024700               | 12,24      |        | 4K7             | SOUOR            |                                      |           |
| 2905025600               | 3,06       |        | 5K6             | SOUOR            |                                      |           |
| 2905028200               | 2,04       |        | 8K2             | SOUOR            |                                      |           |
| 2905031000               | 4,08       |        | 10K             | SOUOR            |                                      |           |
| 2905031200               | 2,04       |        | 12K             | SOUOR            |                                      |           |
| 2905031500               | 5,10       |        | 15K             | SOUOR            |                                      |           |
| 2905031800               | 2,04       |        | 18K             | SOUOR            |                                      |           |
| 2905033300               | 1,02       |        | 33K             | SOUOR            |                                      |           |
| 2905033900               | 4,08       |        | 39K             | SOUOR            |                                      |           |

RC-8U NFC 832

RC-8U NFC 832

RC-8U NFC 832

RC-8U NFC 832

RC-8U NFC 832

RC-8U NFC 832

RC-8U NFC 832

RC-8U NFC 832

RC-8U NFC 832

RC-8U NFC 832

RC-8U NFC 832

RC-8U NFC 832

RC-8U NFC 832

RC-8U NFC 832

RC-8U NFC 832

RC-8U NFC 832

RC-8U NFC 832

RC-8U NFC 832

RC-8U NFC 832

RC-8U NFC 832

| REF ADRET PART NUMBER | QTE U  | DESCRIPTION        | PART DESCRIPTION   | FOURNISSEUR/PLAN SUPPLIER/DRAWING | N O R M E     |
|-----------------------|--------|--------------------|--------------------|-----------------------------------|---------------|
| 2905034700            | 3,06   | 47X 5,08 CC        | 47X 5,08 CC        | SOUCCOR                           |               |
| 2905036800            | 1,02   | 68X 5,08 CC        | 68X 5,08 CC        | SOUCCOR                           |               |
| 2905041000            | 30,60  | 100K 5,08 CC       | 100K 5,08 CC       | SOUCCOR                           | RC-8U NFC 832 |
| 2905041500            | 1,02   | 150K 5,08 CC       | 150K 5,08 CC       | SOUCCOR                           |               |
| 3100600000            | 2,04   | 1000PF TRAV.       | 1000PF PINCH       | MURATA                            |               |
| 3100610000            | 26,00  | FILTRE             | NU1 PINCH FILTER   | SIEMENS                           |               |
| 3120001000            | 6,12   | 10PF 2,5 F         | 10PF 2,5 F         | COGECO                            | CE-13L TCE 1  |
| 3120001200            | 5,10   | 12PF 2,5 G         | 12PF 2,5 G         | COGECO                            |               |
| 3120001500            | 5,10   | 15PF 2,5 H         | 15PF 2,5 H         | COGECO                            | CE-13L TCE 1  |
| 3120001800            | 1,02   | 18PF 2,5 J         | 18PF 2,5 J         | COGECO                            | CE-13L TCE 1  |
| 3120002200            | 7,14   | 22PF 2,5 K         | 22PF 2,5 K         | COGECO                            | CE-13L TCE 1  |
| 3120002700            | 4,08   | 27PF 2,5 L         | 27PF 2,5 L         | COGECO                            | CE-13L TCE 1  |
| 3120003300            | 10,20  | 33PF 2,5 M         | 33PF 2,5 M         | COGECO                            | CE-13L TCE 1  |
| 3120003900            | 1,02   | 39PF 2,5 N         | 39PF 2,5 N         | COGECO                            | CE-13L TCE 1  |
| 3120004700            | 3,06   | 47PF 2,5 P         | 47PF 2,5 P         | COGECO                            | CE-13L TCE 1  |
| 3120005600            | 3,06   | 56PF 2,5 Q         | 56PF 2,5 Q         | COGECO                            | CE-13L TCE 1  |
| 3120006800            | 1,02   | 68PF 2,5 R         | 68PF 2,5 R         | COGECO                            | CE-13L TCE 1  |
| 3120008200            | 7,14   | 82PF 2,5 S         | 82PF 2,5 S         | COGECO                            | CE-13L TCE 1  |
| 3120011000            | 19,38  | 100PF 2,5 T        | 100PF 2,5 T        | COGECO                            | CE-13L TCE 1  |
| 3120011200            | 6,12   | 120PF 2,5 U        | 120PF 2,5 U        | COGECO                            | CE-13L TCE 1  |
| 3120011500            | 3,06   | 150PF 2,5 V        | 150PF 2,5 V        | COGECO                            | CE-13L TCE 1  |
| 3120011800            | 1,02   | 180PF 2,5 W        | 180PF 2,5 W        | COGECO                            | CE-13L TCE 1  |
| 3120012200            | 5,10   | 220PF 2,5 X        | 220PF 2,5 X        | COGECO                            | CE-13L TCE 1  |
| 3120012700            | 2,04   | 270PF 2,5 Y        | 270PF 2,5 Y        | COGECO                            | CE-13L TCE 1  |
| 3120013300            | 8,16   | 330PF 2,5 Z        | 330PF 2,5 Z        | COGECO                            | CE-13L TCE 1  |
| 3120021000            | 112,20 | 1 NF               | 1 NF               | COGECO                            | CE-13L TCE 1  |
| 3120091000            | 3,06   | 1 PF 2,5 T         | 1 PF 2,5 T         | COGECO                            |               |
| 3120092200            | 1,02   | 2,2PF 2,5 X        | 2,2PF 2,5 X        | COGECO                            |               |
| 3120092700            | 1,02   | 2,7PF 2,5 Y        | 2,7PF 2,5 Y        | COGECO                            |               |
| 3120093300            | 3,06   | 3,3PF 2,5 Z        | 3,3PF 2,5 Z        | COGECO                            |               |
| 3120093900            | 1,02   | 3,9PF 2,5 A        | 3,9PF 2,5 A        | COGECO                            | CE-13L TCE 1  |
| 3120094700            | 19,38  | 4,7PF 2,5 C        | 4,7PF 2,5 C        | COGECO                            |               |
| 3120095600            | 3,06   | 5,6PF 2,5 D        | 5,6PF 2,5 D        | COGECO                            |               |
| 3120096800            | 5,10   | 6,8PF 2,5 E        | 6,8PF 2,5 E        | COGECO                            |               |
| 3120098200            | 7,14   | 8,2PF 2,5 F        | 8,2PF 2,5 F        | COGECO                            |               |
| 3150031000            | 33,66  | 10NF 5,08 63U      | 10NF 5,08 63U      | LCC                               | CE-13L TCE 1  |
| 3150042200            | 147,00 | 0,22MHF 5 50U20X   | 0,22MHF 5 50U20X   | AUX                               |               |
| 3150066800            | 2,04   | 0,68PF 5,08        | 0,68PF 5,08        | COGECO                            | CE 74         |
| 3211165000            | 2,00   | 3550PF 1,25X 63U   | 3550PF 1,25X 63U   | COGECO                            |               |
| 3212147000            | 2,00   | 14700PF 1,25X 63U  | 14700PF 1,25X 63U  | RTIC                              |               |
| 3226150000            | 1,00   | 15MHF 20X 63U      | 15MHF 20X 63U      | EFCO                              |               |
| 3232100300            | 2,04   | INF 5,08 63U       | INF 5,08 63U       | LCC                               | CPM-7         |
| 3232220200            | 1,02   | 2200PF 5,08 10X    | 2200PF 5,08 10X    | LCC                               | CPM-7         |
| 3232330300            | 3,06   | 3300PF 5,08 10X    | 3300PF 5,08 10X    | LCC                               | CPM-7         |
| 3232470300            | 1,02   | 4,7NF 5,08 10X     | 4,7NF 5,08 10X     | LCC                               | CPM-7         |
| 3233100300            | 16,32  | 10NF 5,08 10X      | 10NF 5,08 10X      | LCC                               | CPM-7         |
| 3233220300            | 3,06   | 22NF 5,08 10X      | 22NF 5,08 10X      | LCC                               | CPM-7         |
| 3233470300            | 2,04   | 47NF 5,08 10X      | 47NF 5,08 10X      | LCC                               | CPM-7         |
| 3233680200            | 1,00   | 68NF 5,08 10X      | 68NF 5,08 10X      | LCC                               | CPM-7         |
| 3234100400            | 25,00  | 0,1MHF 5,08 10X    | 0,1MHF 5,08 10X    | LCC                               | CPM-7         |
| 3234150300            | 1,02   | 0,15MHF 5,08 10X   | 0,15MHF 5,08 10X   | LCC                               |               |
| 3234220200            | 1,00   | 0,22MHF 5,08 10X   | 0,22MHF 5,08 10X   | LCC                               |               |
| 3234470300            | 3,00   | 0,47MHF 5,08 10X   | 0,47MHF 5,08 10X   | LCC                               | CPM-7         |
| 3301100000            | 2,00   | 1000PF 7,6 2X 250V | 1000PF 7,6 2X 250V | GAM                               |               |



LISTE COMPOSANTS \* COMPONENTS LIST

| REF ADRET PART NUMBER | QTE   | U | DESCRIPTION                       | PART DESCRIPTION                  | FOURNISSEUR/PLAN SUPPLIER/DRAWING | N O R M E     |
|-----------------------|-------|---|-----------------------------------|-----------------------------------|-----------------------------------|---------------|
| 3301196000            | 1.00  |   | 1960PF 7.62 2X 250V ... 59SP      | 1960PF 7.62 2X 250V ... 59SP      | GAM                               |               |
| 3309470000            | 2.00  |   | 47PF 2.5 5% 160V ... CA152        | 47PF 2.5 5% 160V ... CA152        | CONDENSATEUR PI                   | CCTU 02-018   |
| 3309680000            | 1.00  |   | 88PF 2.5 5% 160V ... CA152        | 88PF 2.5 5% 160V ... CA152        | CONDENSATEUR PI                   | CCTU 02-018   |
| 3500380000            | 2.00  |   | 6800MME 40V                       | 6800MME 40V                       | SIC SAFECO                        | NFC-UTEC 83-1 |
| 3500560000            | 2.00  |   | 10 000MME 25V ... FEL51C C039     | 10 000MME 25V ... FEL51C C039     | SIC SAFECO                        | NFC-UTEC 83-1 |
| 3500570000            | 1.00  |   | 100MME 50V ... REF E035           | 100MME 50V ... REF E035           | RTC (C010)                        |               |
| 3600050000            | 5.00  |   | 2/10 PF ... REF C010 808 23209    | 2/10 PF ... REF C010 808 23209    | RTC (C010)                        |               |
| 3600120000            | 4.00  |   | 4/20 PF ... REF C010 808 23209    | 4/20 PF ... REF C010 808 23209    | RTC (C010)                        |               |
| 3500170000            | 2.00  |   | 2 A 10PF                          | 2 A 10PF                          | JFD                               | LN2 106       |
| 3700010000            | 2.00  |   | 0.47MME/35V 5.08 ... STAND L TAG  | 0.47MME/35V 5.08 ... STAND L TAG  | STC                               |               |
| 3700020000            | 5.10  |   | 1MME/35V 5.08 ... STAND L TAG     | 1MME/35V 5.08 ... STAND L TAG     | STC                               |               |
| 3700090000            | 2.00  |   | 4.7MME/35V 5.08 ... STAND L TAG   | 4.7MME/35V 5.08 ... STAND L TAG   | SPRAGUE                           | NFC-UTEC 83-1 |
| 3700100000            | 30.60 |   | 4.7MME/35V 5.08 ... STAND L TAG   | 4.7MME/35V 5.08 ... STAND L TAG   | STC                               |               |
| 3700140000            | 1.00  |   | 10MME/25V 2.54 20% REF-Y4890 A1   | 10MME/25V 2.54 20% REF-Y4890 A1   | SPRAGUE                           | NFC-UTEC 83-1 |
| 3700150000            | 5.10  |   | 10MME/25V 2.54 20% REF-Y4890 A1   | 10MME/25V 2.54 20% REF-Y4890 A1   | SPRAGUE                           | NFC-UTEC 83-1 |
| 3700170000            | 29.00 |   | 10MME/25V 2.54 20% REF-Y4890 A1   | 10MME/25V 2.54 20% REF-Y4890 A1   | STC                               |               |
| 3700180000            | 2.00  |   | 22MME/15V 1.4 20% ... STAND L TAG | 22MME/15V 1.4 20% ... STAND L TAG | SPRAGUE                           | NFC-UTEC 83-1 |
| 3700190000            | 16.32 |   | 22MME/15V 1.4 20% ... STAND L TAG | 22MME/15V 1.4 20% ... STAND L TAG | STC                               |               |
| 3800042200            | 6.12  |   | CHIPS 0.22MME 20% 25V Z5U-1808    | CHIPS 0.22MME 20% 25V Z5U-1808    | RTC                               |               |
| 3810001000            | 2.04  |   | CHIPS 10PF 5% 63V SVP8 CEC 2E     | CHIPS 10PF 5% 63V SVP8 CEC 2E     | EUROFARAD                         |               |
| 3810012200            | 3.00  |   | CHIPS 220PF 10% 63V SVP8 CEC 2E   | CHIPS 220PF 10% 63V SVP8 CEC 2E   | EUROFARAD                         |               |
| 3810021000            | 14.28 |   | CHIPS 1 NF 10% 63V SVP8 CEC 2E    | CHIPS 1 NF 10% 63V SVP8 CEC 2E    | EUROFARAD                         |               |
| 4000160000            | 30.60 |   | LD 3.17 ROUGE ... HLMF 1002       | RED 3.17 LED ... HLMF 1002        | HP                                |               |
| 4000200000            | 1.00  |   | COUPLEUR OPTO 4N26                | OPTO COUPLEUR 4N26                | MOTOROLA                          |               |
| 4000280000            | 17.00 |   | AFFICHEUR 0/9 HDSP 5540(F&G)      | DISP.LAYER 0/9 HDSP 5540(F&G)     | HP                                |               |
| 4000290000            | 1.00  |   | AFFICHEUR +/-1 HDSP 5544(F&G)     | DISP.LAYER +/-1 HDSP 5544(F&G)    | HP                                |               |
| 4000310000            | 1.00  |   | LED 3.17 VERT ... HLMF-1503       | GREEN 3.17 LED ... HLMF-1503      | HP                                |               |
| 4000320000            | 3.00  |   | LED 3.17 JAUNE ... HLMF-1401      | YELLOW 3.17 LED ... HLMF-1401     | HP                                |               |
| 4000330000            | 6.00  |   | COUPLEUR OPTO DOUBLE TLP 504 A    | DOUBLE OPTO COUPLEUR TLP 504 A    | TOSCHIBA                          |               |
| 4100066400            | 1.00  |   | U6848 DIVISEUR 64                 | U6848 DIVIDER 64                  | TELEFUNKEN                        |               |
| 4100344800            | 4.00  |   | MC 3448 AP                        | MC 3448 AP                        | MOTOROLA                          |               |
| 4100864700            | 2.00  |   | SP 8647 B                         | SP 8647 B                         | MOTOROLA                          |               |
| 4101010900            | 4.00  |   | MC 10109 L CERAMIQUE              | MC 10109 L CERAMIC                | PLESSEY                           |               |
| 4101013100            | 4.00  |   | MC 10131 P                        | MC 10131 P                        | MOTOROLA                          |               |
| 4150740000            | 7.00  |   | SN 74 LS 00 N 3                   | SN 74 LS 00 N 3                   | TEXAS                             |               |
| 4150740400            | 1.00  |   | SN 74 LS 04 N 3                   | SN 74 LS 04 N 3                   | TEXAS                             |               |
| 4150740500            | 1.00  |   | SN 74 LS 05 N 3                   | SN 74 LS 05 N 3                   | TEXAS                             |               |
| 4150741000            | 1.00  |   | SN 74 LS 10 N 3                   | SN 74 LS 10 N 3                   | TEXAS                             |               |
| 4150742000            | 1.00  |   | SN 74 LS 20 N 3                   | SN 74 LS 20 N 3                   | TEXAS                             |               |
| 4150743000            | 1.00  |   | SN 74 LS 30 N 3                   | SN 74 LS 30 N 3                   | TEXAS                             |               |
| 4150747400            | 2.00  |   | SN 74 LS 74 N3                    | SN 74 LS 74 N3                    | TEXAS                             |               |
| 4150748300            | 7.00  |   | SN 74 LS 83 N 3                   | SN 74 LS 83 N 3                   | TEXAS                             |               |
| 4150748500            | 2.00  |   | SN 74 LS 85 N 3                   | SN 74 LS 85 N 3                   | TEXAS                             |               |
| 4150748600            | 1.00  |   | SN 74 LS 86 N 3                   | SN 74 LS 86 N 3                   | TEXAS                             |               |
| 4157410700            | 4.00  |   | SN 74 LS 107 AN 3                 | SN 74 LS 107 AN 3                 | TEXAS                             |               |
| 4157412200            | 1.00  |   | SN 74 LS 122 N 3                  | SN 74 LS 122 N 3                  | TEXAS                             |               |
| 4157412300            | 1.00  |   | SN 74 LS 123 N 3                  | SN 74 LS 123 N 3                  | TEXAS                             |               |
| 4157413200            | 1.00  |   | SN 74 LS 132 N 3                  | SN 74 LS 132 N 3                  | TEXAS                             |               |
| 4157413800            | 3.00  |   | SN 74 LS 138 N 3                  | SN 74 LS 138 N 3                  | TEXAS                             |               |
| 4157413900            | 2.00  |   | SN 74 LS 139 N 3                  | SN 74 LS 139 N 3                  | TEXAS                             |               |
| 4157415600            | 1.00  |   | SN 74 LS 156 N 3                  | SN 74 LS 156 N 3                  | TEXAS                             |               |
| 4157416200            | 5.00  |   | SN 74 LS 162 N 3                  | SN 74 LS 162 N 3                  | TEXAS                             |               |
| 4157416300            | 4.00  |   | SN 74 LS 163 N 3                  | SN 74 LS 163 N 3                  | TEXAS                             |               |
| 4157418600            | 8.00  |   | SN 74 LS 196 N 3                  | SN 74 LS 196 N 3                  | TEXAS                             |               |

LISTE COMPOSANTS COMPONENTS LIST

| REF ADRET PART NUMBER | QTE U | DESCRIPTION                     | PART DESCRIPTION                | FURNISSEUR/PLAN SUPPLIER/DRAWING | N O R M E |
|-----------------------|-------|---------------------------------|---------------------------------|----------------------------------|-----------|
| 4157424400            | 6.00  | SN 74 LS 244 N 3                | SN 74 LS 244 N 3                | TEXAS                            |           |
| 4157437400            | 6.00  | SN 74 LS 374 N 3                | SN 74 LS 374 N 3                | TEXAS                            |           |
| 4160400100            | 6.00  | C-MOS 4001                      | C-MOS 4001                      | RTIC                             |           |
| 4160400200            | 1.00  | C-MOS 4002                      | C-MOS 4002                      | RTIC                             |           |
| 4160401300            | 1.00  | C-MOS 4013                      | C-MOS 4013                      | RTIC                             |           |
| 4160401700            | 1.00  | C-MOS 4017                      | C-MOS 4017                      | RTIC                             |           |
| 4160402300            | 1.00  | C-MOS 4023                      | C-MOS 4023                      | RTIC                             |           |
| 4160402700            | 1.00  | C-MOS 4027                      | C-MOS 4027                      | RTIC                             |           |
| 4160402800            | 1.00  | C-MOS 4028                      | C-MOS 4028                      | RTIC                             |           |
| 4160404200            | 2.00  | C-MOS 4042                      | C-MOS 4042                      | RTIC                             |           |
| 4160405100            | 1.00  | C-MOS 4051                      | C-MOS 4051                      | RTIC                             |           |
| 4160405300            | 1.00  | C-MOS 4053                      | C-MOS 4053                      | RTIC                             |           |
| 4160406600            | 3.00  | C-MOS 4066                      | C-MOS 4066                      | RTIC                             |           |
| 4160409300            | 1.00  | C-MOS 4093                      | C-MOS 4093                      | RTIC                             |           |
| 4160450400            | 2.00  | C-MOS MC 14504 8CP              | C-MOS MC 14504 8CP              | MOTOROLA                         |           |
| 4160451800            | 2.00  | C-MOS 4518                      | C-MOS 4518                      | RTIC                             |           |
| 4160452000            | 2.00  | C-MOS 4520                      | C-MOS 4520                      | RTIC                             |           |
| 4160452800            | 2.00  | C-MOS 4528                      | C-MOS 4528                      | RTIC                             |           |
| 4160453200            | 2.00  | C-MOS 4532                      | C-MOS 4532                      | FAIRCHILD                        |           |
| 4160455600            | 8.00  | C-MOS 4556                      | C-MOS 4556                      | RTIC                             |           |
| 4160455600            | 8.00  | C-MOS 4556                      | C-MOS 4556                      | RTIC                             |           |
| 4164016300            | 1.00  | C-MOS 40163                     | C-MOS 40163                     | RTIC                             |           |
| 4167218100            | 2.00  | C-MOS ICM 7218 A1J1             | C-MOS ICM 7218 A1J1             | INTERFIL                         |           |
| 4167437400            | 2.00  | C-MOS 74 C 374 N                | C-MOS 74 C 374 N                | NS                               |           |
| 4170276400            | 9.00  | EPROM 8K/8 ST REF 2764-DC 250NS | EPROM 8K/8 ST REF 2764-DC 250NS | AMD                              |           |
| 4170436400            | 1.00  | RAM 8K/8 ST REF UPD 4364-C20L   | RAM 8K/8 ST REF UPD 4364-C20L   | NEC                              |           |
| 4170680200            | 1.00  | N-MOS MC 6802 P                 | N-MOS MC 6802 P                 | MOTOROLA                         |           |
| 4170682100            | 1.00  | N-MOS MC 6821 P P1A             | N-MOS MC 6821 P P1A             | MOTOROLA                         |           |
| 4176848800            | 1.00  | N-MOS MC 68488P 9U              | N-MOS MC 68488P 9U              | MOTOROLA                         |           |
| 4180747400            | 1.00  | SN 74 F 74 N                    | SN 74 F 74 N                    | RTIC                             |           |
| 4200320000            | 11.00 | LF 356 N B+                     | LF 356 N B+                     | NS                               |           |
| 4200360000            | 13.00 | TL 072 CP                       | TL 072 CP                       | TEXAS                            |           |
| 4200380000            | 1.00  | LM 311 N 8 8+ (01P 8)           | LM 311 N 8 8+ (01P 8)           | NS                               |           |
| 4200470000            | 3.00  | LM 317 L2 REGUL POSITIVE T092   | LM 317 L2 POSITIVE REGUL T092   | MOTOROLA                         |           |
| 4200480000            | 2.00  | LM 317 T REGUL POSITIVE T0 220  | LM 317 T POSITIVE REGUL T0 220  | NS                               |           |
| 4200610000            | 3.00  | LM 358 N /8+                    | LM 358 N /8+                    | NS                               |           |
| 4200620000            | 1.00  | LM 3080 N /8+                   | LM 3080 N /8+                   | NS                               |           |
| 4200640000            | 1.00  | LM 337 K REGUL I 1 A 37U        | LM 337 K REGUL I 1 T0 37U       | NS                               |           |
| 4200660000            | 1.00  | LM 350 K 3A                     | LM 350 K 3A                     | NS                               |           |
| 4200720000            | 1.00  | NE 5534 AN                      | NE 5534 AN                      | RTIC                             |           |
| 4200770000            | 1.00  | AD 534 JH                       | AD 534 JH                       | ANALOG DEVICES                   |           |
| 4260711500            | 1.00  | DAC AD 7115 KN                  | DAC AD 7115 KN                  | ANALOG DEVICES                   |           |
| 4260752500            | 1.00  | DAC AD 7525 KN                  | DAC AD 7525 KN                  | ANALOG DEVICES                   |           |
| 4300110000            | 17.38 | BC560C /413C/415C/559C(8C214C)  | BC560C /413C/415C/559C(8C214C)  | RTIC                             |           |
| 4300150000            | 19.38 | MPS 2369                        | MPS 2369                        | MOTOROLA                         |           |
| 4300190000            | 15.00 | BC550C /414C/413C/549C(8C184C)  | BC550C /414C/413C/549C(8C184C)  | RTIC                             |           |
| 4300250000            | 5.00  | BFR 90 POINT MARRON C.ENTREE    | BFR 90 INPUT CHECK BROWN POINT  | RTIC                             |           |
| 4300270000            | 10.00 | BFR 96 POINT ORANGE C.ENTREE    | BFR96 INPUT CHECK ORANGE POINT  | RTIC                             |           |
| 4300280000            | 15.00 | BFR 91 POINT ROUGE C.ENTREE     | BFR 91 INPUT CHECK RED POINT    | RTIC                             |           |
| 4300310000            | 15.00 | BFO 22-S REPLACE OMS43          | BFO 22-S SUBSTITUTE T0 OMS43    | RTIC                             |           |
| 4300370000            | 6.00  | BFT 95 POINT VERT CE            | BFT 95 INPUT CHECK GREEN POINT  | AEG                              |           |
| 4300400000            | 1.00  | TP 3094                         | TP 3094                         | TRU                              |           |
| 4300420000            | 1.00  | BD 135                          | BD 135                          | AEG                              |           |
| 4300430000            | 1.00  | BD 136                          | BD 136                          | AEG                              |           |
| 4300470000            | 4.00  | BFO 32/BFT 96 POINT VIOLET C E  | BFO 32/BFT 96 I C VIOLET POINT  | RTIC                             |           |

| REF ADRRT<br>PART NUMBER | QTY U<br>M | DESCRIPTION                    | PART DESCRIPTION               | FOURNISSEUR/PLAN<br>SUPPLIER/DRAWING | N O R M E   |
|--------------------------|------------|--------------------------------|--------------------------------|--------------------------------------|-------------|
| 4300570000               | 10.20      | BC 327-25 TO 92 (2N2907)       | BC 327-25 TO 92 (2N2907)       | ITT                                  |             |
| 4300580000               | 3.06       | BC 337-25 TO 92 (2N2222)       | BC 337-25 TO 92 (2N2222)       | ITT                                  |             |
| 4300590000               | 2.00       | BD 677 TO 126 (EX 675)         | BD 677 TO 126 (EX 675)         | MOTOROLA                             |             |
| 4300600000               | 14.28      | MPS 3640                       | MPS 3640                       | MOTOROLA                             |             |
| 4300610000               | 3.06       | BF 506                         | BF 506                         | MOTOROLA                             |             |
| 4300620000               | 6.12       | MPS 918                        | MPS 918                        | MOTOROLA                             |             |
| 4300630000               | 3.00       | BD 678 A (EX 676)              | BD 678 A (EX 676)              | MOTOROLA                             |             |
| 4300670000               | 2.00       | 2N 3772                        | 2N 3772                        | MOTOROLA                             |             |
| 4300720000               | 16.00      | BFY 90                         | BFY 90                         | RTC                                  |             |
| 4300750000               | 2.00       | BFQ 34T                        | BFQ 34T                        | RTC                                  |             |
| 4400140000               | 2.00       | BF 256 B (EX 245B)             | BF 256 B (EX 245B)             | FU-ITT                               |             |
| 4500020000               | 44.88      | 1N151                          | 1N151                          | ITT                                  |             |
| 4500040000               | 10.20      | 1N404                          | 1N404                          | ITT                                  |             |
| 4500050000               | 8.16       | BY 251                         | BY 251                         | SIEMENS                              |             |
| 4500200100               | 9.18       | BA 282                         | BA 282                         | ITT                                  |             |
| 4500310000               | 32.64      | 1 N 4448                       | 1 N 4448                       | ITT                                  |             |
| 4500340000               | 4.00       | BA 479G (DIODE PIN)            | BA 479G (PIN DIODE)            | TFX                                  |             |
| 4500340000               | 18.00      | BB 409 (STANDARD)              | BB 409 (STANDARD)              | SIEMENS                              |             |
| 4500450000               | 14.04      | 1N6263 0035 (EX ESM2474246)    | 1N6263 (SUBSTIT. ESM2474246)   | RTC                                  |             |
| 4500510000               | 9.18       | OF 643 (OF555-884058)          | OF 643 (OF555-884058)          | RTC                                  |             |
| 4500550000               | 10.00      | BAT 19                         | BAT 19                         | THOMSON                              |             |
| 4500560100               | 20.00      | BAT 19                         | BAT 19                         | THOMSON                              |             |
| 4500600000               | 5.00       | 88 809                         | 88 809                         | RTC                                  |             |
| 4600010000               | 1.02       | ZPD 4 7                        | ZPD 4 7                        | ITT                                  |             |
| 4600030000               | 3.06       | ZPD5 1                         | ZPD5 1                         | ITT                                  |             |
| 4600040000               | 11.22      | ZPD5 6                         | ZPD5 6                         | ITT                                  |             |
| 4600050000               | 1.02       | ZPD 6 2                        | ZPD 6 2                        | ITT                                  |             |
| 4600080000               | 4.08       | ZPD6 8                         | ZPD6 8                         | ITT                                  |             |
| 4600100000               | 2.04       | ZPD7 5                         | ZPD7 5                         | ITT                                  |             |
| 4600120000               | 1.02       | ZPD8 2                         | ZPD8 2                         | ITT                                  |             |
| 4600440000               | 1.00       | LM 336 BZ 2 5U                 | LM 336 BZ 2 5U                 | NS                                   |             |
| 4900040000               | 4.08       | CALE T03 REF:AY317/1 H9031701  | HICA QUIN FOR TO 3 REF 051     | SEEM                                 |             |
| 4900080000               | 1.02       | ENTRETOISE DE CT MON 10L       | PC SPACER MON 10L              | JERMYN                               |             |
| 4900120000               | 4.08       | 14 SUPPORT C.I. DIL J23-5014   | 14 CONNECTOR P.C. DIL J23-5014 | JERMYN                               |             |
| 4900260000               | 2.00       | 18 SUPPORT C.I. DIL J23-5018   | 18 CONNECTOR P.C. DIL J23-5018 | JERMYN                               |             |
| 4900280000               | 16.32      | CANNON ISOLANT L5 REF 2314     | INSULATING CANNON L5 REF 2314  | FONDEX                               |             |
| 4900300000               | 5.00       | 20 SUPPORT C.I. DIL J23-5020   | 20 CONNECTOR P.C. DIL J23-5020 | JERMYN                               |             |
| 4900310000               | 4.00       | 16 SUPPORT C.I. DIL J23-5016   | 16 CONNECTOR P.C. DIL J23-5016 | JERMYN                               |             |
| 4900330000               | 4.00       | 28 SUPPORT C.I. DIL J23-5028   | 28 CONNECTOR P.C. DIL J23-5028 | JERMYN                               |             |
| 4900340000               | 3.00       | 40 SUPPORT C.I. DIL J23-5040   | 40 CONNECTOR P.C. DIL J23-5040 | JERMYN                               |             |
| 4900390000               | 7.14       | 8 SUPPORT C.I. DIL J23-5008    | 8 CONNECTOR P.C. DIL J23-5008  | JERMYN                               |             |
| 4900410000               | 1.00       | BRIDE ANTI-TRACTION REF 3448-7 | ANTI-TRACI. BRIDLE REF 3448-7  | 34                                   |             |
| 5100610000               | 1.00       | QUARTZ 8MHz PLAN A943059       | 8MHz CRYSTAL PLAN A943059      | THOMSON ST MARI                      |             |
| 5300070000               | 1.00       | 0.047MMH REF 53809             | 0.047MMH REF 53809             | FU-OREGA                             |             |
| 5300090000               | 1.00       | 0.068MMH REF 53813             | 0.068MMH REF 53813             | FU-OREGA                             |             |
| 5300100000               | 1.00       | 0.10MMH ORE 53800 DEL 1025-94  | 0.10MMH ORE 53800 DEL 1025-94  | OREGA                                | T-TR.G LNZ  |
| 5300120000               | 1.00       | 0.15MMH ORE 53802 DEL 1025-00  | 0.15MMH ORE 53802 DEL 1025-00  | OREGA                                | T-TR.G LNZ  |
| 5300140000               | 1.00       | 0.22MMH ORE 53806 DEL 1025-04  | 0.22MMH ORE 53806 DEL 1025-04  | OREGA                                | U-TR021 LNZ |
| 5300160000               | 2.00       | 0.33MMH ORE 53810 DEL 1025-08  | 0.33MMH ORE 53810 DEL 1025-08  | OREGA                                |             |
| 5300180000               | 2.00       | 0.39MMH ORE 53812 DEL 1025-10  | 0.39MMH ORE 53812 DEL 1025-10  | OREGA                                |             |
| 5300200000               | 1.00       | 0.47MMH ORE 53814 DEL 1025-12  | 0.47MMH ORE 53814 DEL 1025-12  | OREGA                                | U-TR021 LNZ |
| 5300220000               | 1.00       | 0.68MMH ORE 53818 DEL 1025-16  | 0.68MMH ORE 53818 DEL 1025-16  | OREGA                                | U-TR021 LNZ |
| 5300290000               | 1.00       | 1.0MMH ORE 53822 DEL 1025-20   | 1.0MMH ORE 53822 DEL 1025-20   | OREGA                                | U-TR021 LNZ |
|                          | 1.00       | 3.9MMH ORE 53836 DEL 1025-34   | 3.9MMH ORE 53836 DEL 1025-34   | OREGA                                | DELEVAN     |



FURNISSEUR/PLAN SUPPLIERS/DRAWING

N O R M E

NFE 27-115

HEXAGONAL USU HEXAGONAL USU

SAGIC GAUBIN DAUDE GAUBIN DAUDE GOBIN DAUDE SAGIC SAGIC SAGIC

STE N'4X9.5 CRUCIF LARGE SHEET STE 2.5X4 CURVED TAPITTE CRUCI ACF 2X6 BOMBEE TAPITTE CRUCIF ACF 3.5X15 F/30 TAPITTE CRUCIF LAD 2.5 X 5 CYLINDER SLOT LAD 2.5 X 10 CYLINDER SLOT LAD 2.5 X 16 CYLINDER SLOT LAD 2 X 8 CYLINDRIQUE FENOU LAD 2 X 10 CYLINDRIQUE FENOU LAD 2 X 6 U NFE27-115-4.6 INOX TCHC M3X 6 U DIN912-5.6 INOX TCHC M3X12 U DIN912-5.6 INOX TCHC M3X30 U DIN912-5.6 INOX TCHC M4X12 U DIN912-5.6 INOX TCHC M4X20 U DIN912-5.6 INOX TCHC M4X50 U DIN912-5.6 INOX NYL 3 X10 HEXAGONAL SLOT NYL H M3 U NF E27-411-5 INOX NYL H M4 U NF E27-411-5 INOX NYL H M5 U NFE 37-411 INOX BORGNE MHU 'CALOTTE RAPPORTEE' STEEL 3 HEXAGON DRAG NUT NYLSTOP MH ..... N°35 NYL 3 USUAL HEXAGON ..... N°35 INOX M3 X 8X0.8 FLAT ..... MEAN 2 4U (8X0.8) NF E27-611 INOX STEEL 10.2X16X0.5 PLATE REF 25 STEEL 5 FAN 'DI' STEEL 2.5 ONDUFLEX REF50025132 STEEL 3 ONDUFLEX REF 52030132 STEEL 4 ONDUFLEX REF 52040132 STEEL 3 CONTACT REF 55-03-01 STEEL 4 CONTACT REF55-04-01-32 STEEL 2.6X 5X 1 PLATE ..... 100A BAK 3.2X 6X 1 PLATE REF 105 BAK 4.2X 8X 1 PLATE REF 105 CAO 10 X20X 3 SOLDERING TERMINAL 5.2 ..... 5G CONTACT TINNED BRASS PC12.7 SOLDERING TERMINAL ..... 2003E SPINDLE QW264 ANGLEBRACKET 10X10 WIDTH10 EP 1 FIXING EYELET BRASS N° 2070 SPLIT PIN ..... REF G05 3/12'P RIVET D 20 L 4 POP RIVET 3 L 4.5 REF:YA 3X4.5 RIVEPRESS 2.5 ... R33300250002 RIVEPRESS 4 R33300040025 INTERVIS MH TYPE SA 'S4' INTERVIS MH TYPE GA 'GA4' FASTON LUG 6.3 REF 165341-1 FASTON LUG 6.3 3866C SILVERED BLACK CAP 14.5 EMNET 2 L=15

AC N'4X9.5 A TOLE LARGE CRUCIF ACF 2.5X4 BOMBEE TAPITTE CRUCI ACF 2X6 BOMBEE TAPITTE CRUCIF ACF 3.5X15 F/30 TAPITTE CRUCIF LAD 2.5 X 5 CYLINDRIQUE FENOU LAD 2.5 X 10 CYLINDRIQUE FENOU LAD 2.5 X 16 CYLINDRIQUE FENOU LAD 2 X 8 CYLINDRIQUE FENOU LAD 2 X 10 CYLINDRIQUE FENOU LAD 2 X 6 U NFE27-115-4.6 INOX TCHC M3X 6 U DIN912-5.6 INOX TCHC M3X12 U DIN912-5.6 INOX TCHC M3X30 U DIN912-5.6 INOX TCHC M4X12 U DIN912-5.6 INOX TCHC M4X20 U DIN912-5.6 INOX TCHC M4X50 U DIN912-5.6 INOX NYL 3 X10 HEXAGONALE FENOU NYL H M3 U NF E27-411-5 INOX NYL H M4 U NF E27-411-5 INOX NYL H M5 U NFE 27-411 INOX BORGNE MHU 'CALOTTE RAPPORTEE' ACF 3 ECROU FREIN HEXAGONA NYLSTOP MH ..... N°35 NYL 3 HEX USUEL ..... N°35 M 3U (8X0.8) NF E27-611 INOX 2 4U (8X0.8) NF E27-611 INOX AC110.2X16X0.5 PLATE REF 25 ACI 5 EUMENTAIL 'DI' ACI 2.5 ONDUFLEX REF 50025132 ACI 3 ONDUFLEX REF 52030132 ACI 4 ONDUFLEX REF 52040132 ACI 3 CONTACT REF 55-03-01 ACI 4 CONTACT REF 55-04-01-32 BAK 2.6X 5X 1 PLATE ..... 100A BAK 3.2X 6X 1 PLATE REF 105 BAK 4.2X 8X 1 PLATE REF 105 CAO 10 X20X 3 COSSE A SOUDER 5.2 ..... 5G PLOT LAITON ETANE PC12.7 ..... 2003E COSSE A SOUDER ..... 2003E BROCHE QW264 LARG 10 EP 1 QUERRE 10X10 N° 2070 OEILLET LAITON REF G05 3/12'P GOUPILLE ..... RIVET D 20 L 4 RIVET POP 3X4.5 REF:YA 3X4.5 RIVEPRESS 2.5 ... R33300250002 RIVEPRESS 4 R33300040025 INTERVIS MH TYPE SA 'S4' INTERVIS MH TYPE GA 'GA4' COSSE FASTON 6.3 REF 165341-1 COSSE FASTON 6.3 3866C ARGENTE CAPUCHON NOIR 14.5 040-3020 EMNET 2 L=15

REF ADRET PART NUMBER QTE U QTY H DESCRIPTION PART DESCRIPTION

6107040900 4,08 6108010400 3,06 6108020600 24,48 6108101500 54,06 6130110500 14,28 6130111000 4,08 6130111600 2,04 6130120800 2,04 6130121000 7,14 6140120600 37,74 6143030600 1,02 6143031200 55,08 6143033000 16,32 6143041200 9,18 6143042000 2,04 6143045000 6,12 6152031000 1,02 6200030000 20,40 6200040000 14,28 6200050000 1,02 6203040000 4,08 6206040000 6,12 6255030000 1,02 6300030100 8,16 6300040000 4,08 6300100500 1,02 6301050000 1,02 6303010000 4,08 6303030000 11,22 6303040000 8,16 6305030000 11,22 6305040000 21,48 6360011000 2,04 6360031000 2,04 6360041000 6,12 6370109000 2,04 6400180000 3,06 6400260000 7,14 6400350000 1,02 6400480000 2,04 640510000 3,06 6400530000 34,68 6400750000 1,02 6400780000 6,12 6400930000 9,18 6400940000 2,04 6400960000 34,68 6400980000 8,16 6400990000 16,32 6401070000 8,16 6401090000 40,80 6500020000 5,10 6700240000 1,02

COMATEL A943051 MFOM LGC MFOM FACOM OTALU OTALU LGC LGC AMP TH FRANCE ELMA ACCEL

LISTE COMPOSANTS \* COMPONENTS LIST

N O R M E

FOURNISSEUR/PLAN  
SUPPLIERS/DRAWING

DESCRIPTION

DESCRIPTION

QTE U  
QTY M

REF ADRET  
PART NUMBER

| REF ADRET   | QTE U | DESCRIPTION                    | DESCRIPTION                  | FURNISSEUR/PLAN   |
|-------------|-------|--------------------------------|------------------------------|-------------------|
| PART NUMBER | QTY M |                                |                              | SUPPLIERS/DRAWING |
| 6701230000  | 1,02  | ENLIS 2 L 3                    | ENLIS 2 L 3                  | ACCEL             |
| 6701240000  | 6,12  | ENLIS 2 L 4                    | ENLIS 2 L 4                  | ACCEL             |
| 6701250100  | 8,16  | ENLIS 2 L=2                    | ENLIS 2 L=2                  | ACCEL             |
| 6701260100  | 2,04  | ENLIS 2 L=5                    | ENLIS 2 L=5                  | ACCEL             |
| 6701330000  | 4,08  | ENLIS 3 L 3                    | ENLIS 3 L 3                  | ACCEL             |
| 6701380000  | 2,04  | ENLIS 3 L15(4,2X8)             | ENLIS 3 L15(4,2X8)           | ACCEL             |
| 6800360000  | 2,00  | PIED AVANT                     | FRONT FOOT                   | SCHROFF           |
| 6800370000  | 2,00  | PIED ARRIERE                   | REAR FOOT                    | SCHROFF           |
| 6800500000  | 1,56  | MEPLAT 8X12 A-GS T5            | FLAT 8X12 A-GS T5            | ALCAN             |
| 6800510000  | 0,02  | MEPLAT 8X30 A-GS T5            | FLAT 8X30 A-GS T5            | ALCAN             |
| 6800520000  | 2,20  | EQUERRE 10X10X2 A-GS T5        | BRACKET 10X10X2 A-GS T5      | ALCAN             |
| 6800590000  | 1,68  | PROFILLE COTE RACK             | SIDE RACK FORM               | A932809           |
| 6800750000  | 0,18  | MEPLAT 12X6 A-GS T5            | FLAT 12X6 A-GS T5            | ALCAN             |
| 6800780000  | 0,10  | MEPLAT 20X80 A-GS T5           | FLAT 20X80 A-GS T5           | ALCAN             |
| 6800790000  | 0,10  | MEPLAT 8X80 A-GS T5            | FLAT 8X80 A-GS T5            | ALCAN             |
| 6800800000  | 1,00  | CAPOT TRANSFO 80X90            | TRANSFO CAP 80X90            | ISOLECTRA         |
| 6800810000  | 0,06  | RADIATEUR                      | DISSIPATOR                   | SEEH              |
| 6800860000  | 4,00  | AMORTISSEUR                    | DAMPING                      | APEX              |
| 6800920000  | 0,42  | MEPLAT 6X30 A-GS T5            | FLAT 6X30 A-GS T5            | ALCAN             |
| 6800930000  | 0,42  | MEPLAT 6X20 A-GS T5            | FLAT 6X20 A-GS T5            | ALCAN             |
| 6800940000  | 4,00  | CAPOT NU POUR RELAIS TYPE P    | BARED CAP FOR RELAYS TYPE P  | THOMSON DEM       |
| 6800980000  | 1,02  | RESSORT                        | SPRING                       | UNNEL             |
| 6800990000  | 0,32  | PROFILLE BAQUET CARTE PAS 25,4 | 25,4 STEPS MODULE FORM       | C920981(BAR.3M)   |
| 6801010000  | 1,00  | BOITE                          | BOX                          | OKATRON           |
| 6801040000  | 0,04  | CARRE 5X5 AUHG                 | SQUARE 5X5 AUHG              | TESTAS            |
| 6801140000  | 0,14  | COLLE ARLDITE                  | ARALDITE GLUE                | SODIEMA           |
| 6900210000  | 0,15  | RUBAN TESAMOL 9X68C            | TESAMOL SCOTCH 9X68C         | TESA              |
| 6900320000  | 1,02  | COLLE CYANLIT                  | CYANALIT GLUE                | FIU               |
| 6900480000  | 0,07  | RHODORSIL SILICONES PATE 340   | RHODORSIL SILICONES PATE 340 | PHONE POULENC     |
| 6900520000  | 0,20  | ADHESIF TRANSFERT LARGEUR 6 MM | 6 MM WIDTH TRANSFERT SCOTCH  | 3M                |
| 6900710000  | 0,20  | CLINQUANT ADHESIF 19           | ADHESIVE FOIL                | 3M                |
| 6900820000  | 0,03  | RUBAN TESAMOL 6X19             | TESAMOL SCOTCH 6X19          | TESA              |
| 6900990000  | 0,08  | BANDE CLIP-ON                  | CLIP-ON BAND                 | PHYTRONIC         |
| 7100980000  | 12,48 | PINCE POUR TOLE DE 6/10 BRUTE  | SHEET CLIP OF 6/10 BRUT      | F941091           |
| 7107730900  | 1,04  | BOITONNETTE A SERTIR M3 L6     | SPACER TO SQUEEZE M3 L6      | A943053           |
| 7108010100  | 3,00  | BOITIER FERME                  | CLOSED BOX                   | E93               |
| 7108010300  | 9,00  | BOUVERCLE STD BAQUET CART 740A | BOARD MODULE STD COVER       | F94               |
| 7108016000  | 2,00  | FLASQUE 3U DE BASE             | SOCKET 3U FLASK              | F92               |
| 7108063200  | 93,60 | PICOT 0,5 L5,9                 | SPLINTER 0,5 L5,9            | MODERNE PLASTIC   |
| 7108078100  | 16,00 | CONTACT DE MASSE DECOUPE       | CUTTED GROUND CONTACT        | B94               |
| 7108102200  | 1,00  | BOULTON MANUELLE 3 BRUT        | SPIN WHEEL 3 BRUT            | E94               |
| 7108102300  | 1,00  | FICHE MODE OPERATOIRE          | OPERATING CARD               | B92               |
| 7108171900  | 1,00  | CONTACT DE MASSE DECOUPE       | CUTTED GROUND CONTACT        | A94               |
| 8006733100  | 1,00  | FIXATION STANDARD IEC          | IEC STANDARD ANCHOR          | C942347           |
| 8007134700  | 2,00  | DOUILLE BORNE DE MASSE         | EARTH SOCKET                 | A942609           |
| 8007155900  | 1,00  | MANDRIN DE SELF                | SELF MANDREL                 | A942485           |
| 8007632600  | 8,00  | VIS DE REGLAGE FILTRE          | FILTER ADJUSTMENT SCREW      | C942820           |
| 8007652700  | 8,00  | CAGE TELEON FILTRE             | FILTER TELEON ENCLOSURE      | B942821           |
| 8007722700  | 2,00  | EXTRACTEUR DE CARTE            | BOARD EXTRACTOR              | B942812           |
| 8008000600  | 1,00  | PANNEAU ARRIERE 2              | REAR PANEL 2                 | C92               |
| 8008001200  | 1,00  | FOND PROFONDEUR 415            | 415 DEPTH BACKGROUND         | B94               |
| 8008001300  | 2,00  | PIED ARRIERE E10 3U            | 3U REAL FOOT                 | B93               |
| 8008004100  | 1,00  | COTE 3U STD                    | STD 3U SIDE                  | A93               |
| 8008004200  | 2,00  | COTE 3U POIGNEE                | HANDLE 3U SIDE               | A93               |

NORME

FOURNISSEUR/PLAN  
SUPPLIER/DRAWING

| REF ADRET<br>PART NUMBER | QTE<br>QTY | U<br>M | DESCRIPTION                    | PART DESCRIPTION              | FOURNISSEUR/PLAN<br>SUPPLIER/DRAWING |
|--------------------------|------------|--------|--------------------------------|-------------------------------|--------------------------------------|
| 8008004300               | 1,00       |        | COUVERCLE PROFONDEUR 415       | 415 DEPTH COVER               | 892(012)                             |
| 8008008800               | 1,00       |        | CARTER FICHE MODE OPERAT       | 'OPERATING CARD' CARTER       | C93                                  |
| 8008013500               | 1,00       |        | BLINDAGE ALIM PORTEUR          | MOTHER POWER SHIELDING        | F92                                  |
| 8008017200               | 1,00       |        | CONTREPLAQUE VENTILLATEUR      | FAN PLYWOOD                   | 894                                  |
| 8008018600               | 1,00       |        | BLINDAGE AVANT                 | FRONT SHIELDING               | C92                                  |
| 8008019200               | 1,00       |        | PLAQUE AVANT (GRILLE)          | FRONT SHEET (LATTICE)         | 894                                  |
| 8008020100               | 5,00       |        | BARRETTE FIXAT. CARTES (M2)    | (M2) BOARD ANCHOR BAR         | 893 1/2                              |
| 8008021100               | 1,00       |        | KIT ADAPTATION RACK MODE       | RACK ADAPTOR 'OPERATING'      | C94                                  |
| 8008023600               | 1,00       |        | PORTE TRANSISTORS ALIM. 740A   | POWER TRANSISTORS HOLDER      | H94                                  |
| 8008023700               | 1,00       |        | RADIATEUR ALIMENTATION         | POWER DISSIPATOR              | 894                                  |
| 8008025400               | 1,00       |        | CALE FIXATION UHF              | UHF ANCHOR QUIN               | 894                                  |
| 8008026600               | 1,00       |        | KIT ADAPTATION RACK            | RACK ADAPTOR                  | 893 1/2                              |
| 8008028400               | 1,00       |        | BARREAU FIX. HAUT BAQUET       | HIGH MODULE ANCHOR BAR        | C93                                  |
| 8008028700               | 1,00       |        | BARREAU FIX. BAS BAQUET        | LOW MODULE ANCHOR BAR         | C93                                  |
| 8008030300               | 1,00       |        | BOUTON MOLETE UHF              | UHF SPIN WHEEL                | A94                                  |
| 8008036200               | 4,08       |        | ENTRETOISE A SERTIR HTEUR 6 X3 | SPACER TO SQUEEZE HEIGHT 6 X3 | 894                                  |
| 8008033100               | 8,00       |        | FERULE                         | RULER                         | 894                                  |
| 8008039600               | 1,00       |        | ECROU BORNE DE MASSE           | EARTHED NUT                   | A94                                  |
| 8008033800               | 1,00       |        | CACHE POTENTIOMETRE            | POTENTIOMETER MASK            | A94                                  |
| 8008039900               | 4,00       |        | RIUET FIXATION CARTER          | CARTER ANCHOR RIUET           | A94                                  |
| 8008040500               | 1,00       |        | PROTECTION FICHE MODE OP.      | 'OPERATING CARD' PROTECT.     | MRB                                  |
| 8008058400               | 1,00       |        | MANDRIN TEFLON M6X100          | TEFLON MANDREL M6X100         | 894                                  |
| 8008093900               | 1,00       |        | PAN. AVANT 80080045-46         | FRONT PANEL 80080045-46       | ADRET                                |
| 8008102800               | 1,00       |        | ETIQUETTE SIGNALIETIQUE 2      | LABEL                         | A94                                  |
| 8008103000               | 1,00       |        | ETIQ. 300HZ/180MHZ FRA&ANG     | LABEL 300HZ/180MHZ FR&ENG     | 894                                  |
| 8008110900               | 2,00       |        | TOLE BLINDAGE                  | SHIELDING SHEET               | A94                                  |
| 8008111000               | 1,00       |        | COUVERCLE UHF                  | UHF COVER                     | 893                                  |
| 8008112000               | 1,00       |        | FOND UHF                       | UHF BACKGROUND                | 893                                  |
| 8008112400               | 1,00       |        | COUVERCLE GENERATION 480       | 480 GENERATION COVER          | A94                                  |
| 8008112500               | 1,00       |        | FOND GENERATION 480 MHZ        | 480MHZ GENERATION BACKGR.     | A94                                  |
| 8008120100               | 1,00       |        | CORPS ATTENUATEUR              | ATTENUATOR BODY               | F92                                  |
| 8008120200               | 1,00       |        | MODULE UHF                     | UHF MODULE                    | D91                                  |
| 8008120300               | 1,00       |        | PLATINE UHF                    | UHF MOUNTING                  | 893                                  |
| 8008120500               | 1,00       |        | PROFILE BLINDAGE H 4           | SHIELDING FORM H 4            | A94                                  |
| 8008120600               | 1,00       |        | PROFLE BLINDAGE H 10           | SHIELDING FORM H 10           | A94                                  |
| 8008120700               | 4,00       |        | CORPS DE FILTRE 2 MODULES      | FILTER BODY 2 MODULES         | 894                                  |
| 8008122000               | 2,00       |        | RADIATEUR TRANSISTOR UHF       | UHF TRANSISTOR DISSIPATOR     | A94                                  |
| 8008122100               | 1,00       |        | ENTRETOISE MANUELLE 3          | WHEEL SPACER '3'              | A94                                  |
| 8008122600               | 1,00       |        | PLATINE GENERATION 480MHZ      | 480MHZ GENERATION MOUNTING    | A93                                  |
| 8008122700               | 1,00       |        | MODULE GENERATION 480MHZ       | 480MHZ GENERATION MODULE      | A93                                  |
| 8008870000               | 1,02       |        | BOUTON MOLETE DOUILLE DE MASSE | EARTH THUMB SCREW             | 8941118                              |
| 8009506800               | 1,00       |        | ETIQUETTE 'OPTIONS'            | OPTION LABEL                  | A94 (COSMOS)                         |
| 8009510100               | 2,00       |        | ATTACHE POIGNEE                | HANDLE MASK                   | C94                                  |
| 8009510300               | 1,00       |        | RESSORT DE POIGNEE L412        | HANDLE SPRING L412            | A94                                  |
| 8009530400               | 2,00       |        | VIS EPAULEE 'POIGNEE'          | SCREW HANDLE                  | A94                                  |
| 8009540200               | 1,00       |        | GAINE POIGNEE L412             | HANDLE SLEEVE L412            | A94                                  |
| 8100980000               | 12,24      |        | PINCE ASSEMBLAGE BAQUET 0.5MM  | 0.5MM MODULE ASSEMBLING CLIP  | F941091                              |
| 8107730900               | 1,02       |        | COLONNETTE A SERTIR M3 L6      | SPACER TO SQUEEZE M3 L6       | 8943053                              |
| 8108010100               | 3,00       |        | BOUTON FERME ETAME             | TINNED CLOSED BOX             | -93/108010100                        |
| 8108063200               | 15,30      |        | EMBASE POUR TORE               | TORE SOCKET                   | ADRET                                |
| 8108071000               | 16,00      |        | FROTTEUR CONTACT MASSE 2       | GROUND CONTACT WIPER '2'      | 91471                                |
| 8108102200               | 1,00       |        | BOUTON MANUELLE '3'            | SPIN WHEEL '3'                | 71491                                |
| 8108102300               | 1,00       |        | FICHE MODE OPERATOIRE          | 'OPERATING CARD'              | ADRET                                |
| 8108171900               | 1,00       |        | CONTACT MASSE COUVERCLE        | COVER GROUND CONTACT          | 730A                                 |

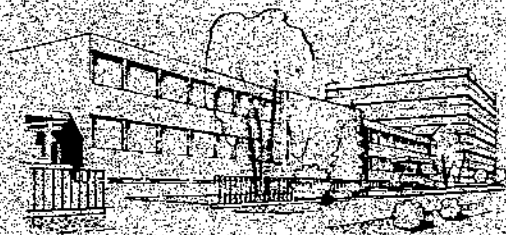
LISTE COMPOSANTS \* COMPONENTS LIST

| REF ADRET<br>PART NUMBER | QTE U<br>QTY M | DESCRIPTION                     | PART DESCRIPTION                | FOURNISSEUR/PLAN<br>SUPPLIER/DRAWING |
|--------------------------|----------------|---------------------------------|---------------------------------|--------------------------------------|
| 8168008000               | 1,00           | CAPOT TRANSFO NICKELE           | NICKELLED TRANSFO CAP           | ADRET                                |
| 9100980000               | 12,24          | ETAMAGE 60/40 PROTETAIN         | PROTETAIN 60/40 TINNING         | ADRET                                |
| 9107730900               | 1,02           | TRAITEMENT COLONNETTE           | SPACER TREATMENT                | B942667                              |
| 9108010100               | 3,00           | ETAMAGE BRILLANT 8MICRONS       | 8MICRONS 740A                   | ADRET                                |
| 9108063200               | 15,30          | MOULAGE ENBASE                  | SOCKET MOLDING                  | B93                                  |
| 9108063400               | 8,00           | TRAITEMENT CLOISON 0271080634   | 0271080634 DIVISION TREATMENT   | A942907                              |
| 9108071000               | 16,00          | ETAIN-PLOMB ELECTR. 6 A 8 MICR. | TIN-LEAD ELECTR. 6 TO 8 MICRONS | A942923                              |
| 9108078100               | 1,00           | CONTACT DE MASSE PLAGAGE        | LAPPING GROUND CONTACT          | 094                                  |
| 9108102200               | 1,00           | TRAITEMENT SUR 71081022         | TREATMENT ON 71081022           | RILSAMISATION                        |
| 9108102300               | 1,00           | PLASTIFICATION-DECOUPE          | PLASTICIZING-CUTTING            | A93                                  |
| 9108171900               | 1,00           | PLAGE CONTACT MASSE             | GROUND CONTACT LAPPING          | A94                                  |
| 9108171901               | 1,00           | TRAITEMENT NIS                  | TREATMENT NIS                   | MRB                                  |
| 9168008000               | 1,00           | NICKELAGE CAPOT                 | NICKELING CAP                   | 942667                               |

N O R M E



**ADRET** ELECTRONIQUE®



Liste des sous-ensembles

**M A I N T E N A N C E**

**R E C O M M E N D E D** sub-assemblies

or PC board

**ADRET** ELECTRONIQUE®

12, avenue Vladimir Komarov • BP 33 78192 Trappes Cedex • France • Tél. 051-29-72  
Téléfax 051-90-74 • Télex ADRET 697821F • Siret 679805077-00014 • CCP Paris 2159704

REF ADRET QTE  
PART NUMBER QTY

DESCRIPTION

PART DESCRIPTION

SUPPLIER/DRAWING

NORME

----- 730A -----

|            |   |                           |      |                        |      |          |
|------------|---|---------------------------|------|------------------------|------|----------|
| 0107409001 | 1 | 00 PROLONGATEUR 35P ALIN. | 740A | 00 EXTENSION CORD 35P  | 740A | A93..... |
| 0107409002 | 1 | 00 PROLONGATEUR 31P CARTE | 740A | 00 EXTENSION BOARD 31P | 740A | B93..... |
| 8007722700 | 1 | EXTRACTEUR DE CARTE       | 103A | BOARD EXTRACTOR        | 103A | B942812  |

| REF ADRET QTE    | DESCRIPTION                        | PART DESCRIPTION                | SUPPLIER/DRAWING | NORME  |
|------------------|------------------------------------|---------------------------------|------------------|--------|
| PART NUMBER QTY  |                                    |                                 |                  |        |
| ----- 730A ----- |                                    |                                 |                  |        |
| 3273820100       | 1 02 ASSERVISSEMENT '2'..... 740A  | 02 80MHZ PHASE LOCKING '2' 740A | F92.....         | 898897 |
| 3274660100       | 1 06 REDRESSEUR REGULATION 740A    | 06 POWER SUPPLY BOARD ... 740A  | F92.....         | 098C97 |
| 3274750000       | 1 03 CARTE DIX MILLADE .... 730A   | 03 10 000 STEPS BOARD ... 730A  | E92.....         | C98097 |
| 0274760000       | 1 04 CARTE DEUX CENTADE ... 730A   | 04 200 STEPS BOARD ..... 730A   | 092.....         | C98C97 |
| 0274770000       | 1 05 CARTE ASS.MENT 400/580 730A   | 05 400/580 PHASE-LOCK OSC 730A  | H92.....         | C98C97 |
| 3274780000       | 1 14 CARTE PAS DE 2MHZ .... 730A   | 14 2MHZ STEPS BOARD ..... 730A  | P92.....         | C98E97 |
| 3274990000       | 1 08 CARTE GENERATION 400 . 730A   | 08 400 GENERATION BOARD . 730A  | H92.....         | C98097 |
| 0275200100       | 1 05 MODULE UHF (22,908M).. 730A   | 05 UHF MODULE (22,908M).. 730A  | H91.....         | C98097 |
| 0275710100       | 1 01 BLOC ATTENUATEUR 'OMR' 730A   | 01 ATTENUATOR ASSBLY 'OMR' 730A | C92              | A97    |
| 0276450000       | 1 10 MODULE GENERATION 480. 730A   | 10 480 GENERATION MODULE. 730A  | J92.....         | E98097 |
| 3276970000       | 1 04 CPU '2' ..... 740A            | 04 CPU '2' ..... 740A           | E91.....         | A98E97 |
| 3277360000       | 1 01 FACE AVANT AFFICHAGE '3' 730A | 01 DISPLAY FRONT PANEL '3' 730A | A92.....         |        |
| 0406293000       | 1 PILOTE STD 80MHZ 10-7 629C       | STD MASTER OSC.80MHZ 10-7 629C  | ADRET.....       |        |
| 0406313000       | 1 OPTION(1) . 80MHZ 10-9 631C      | OPTION(1) 80MHZ 10-9 631C       | ADRET.....       |        |
| 3407308301       | 1 05 OPTION 2 FM/DC ..... 730A     | 05 OPTION 2 FM/DC ..... 730A    |                  |        |

REF ADRET QTE  
PART NUMBER QTY

DESCRIPTION

PART DESCRIPTION

SUPPLIER/DRAWING

NORME

----- 730A -----

|            |   |                           |      |                           |          |        |
|------------|---|---------------------------|------|---------------------------|----------|--------|
| 0274770000 | 1 | 05 CARTE ASS.MENT 400/580 | 730A | 05 400/580 PHASE-LOCK OSC | 730A H92 | C98C97 |
| 0275200100 | 1 | 05 MODULE UHF (22,908M)   | 730A | 05 UHF MODULE (22,908M)   | 730A H91 | C98D97 |
| 0276970000 | 1 | 04 CPU '2'                | 740A | 04 CPU '2'                | 740A E91 | A98E97 |

| REF ADRET QTE    | DESCRIPTION                        | PART DESCRIPTION                   | SUPPLIER/DRAWING | NORME         |
|------------------|------------------------------------|------------------------------------|------------------|---------------|
| ----- 730A ----- |                                    |                                    |                  |               |
| 0275530000       | 1 01 ME1 MODULATEUR ADRET .. ME1   | * 01 ME1 MODULATOR (ADRET) . ME1   | 893              |               |
| 0276050000       | 1 00 ME2 MODULATEUR ADRET... ME2   | * 00 ME2 MODULATOR ADRET.... ME2   | A93              |               |
| 1007400000       | 1 TRANSFO ALIM ..... 740A          | * TRANSFORMER POWER SUPPLY... 740A | H93              |               |
| 1600090000       | 1 RELAIS 2 INV. G2U-234P-NT.120C   | * RELAYS 2 REV. G2U-234P-NT.120C   | OMRON            |               |
| 1600120000       | 1 RELAIS/WIDE ..... REF R6882-2    | * RELAY/EMPTY ..... REF R6882-2    | ELECTROL         |               |
| 1720004600       | 1 1A FST 6.2X3.2 REF 034-3417      | * 1A FST 6.3X3.2 REF 034-3417      | ARNAULD          |               |
| 1720005800       | 1 2A FST6332 ..... REF 034-3420    | * 2A FST6332 ..... REF 034-3420    | ARNAULD          |               |
| 2000090000       | 1 THERMOPA ..... REF 1528722077050 | * THERMOPA ..... REF 1528722077050 | CONEPA           |               |
| 2123100500       | 1 10K 0.25% 808 10T AXE FT 534     | * 10K 0.25% 808 10T AXE FT 534     | SPECTROL         | PZ08 M41 1910 |
| 2131100000       | 1 100R 3/4" 1ST CERMET 43 P        | * 100R 3/4" 1ST CERMET 43 P        | SPECTROL         | PM63 T19P 932 |
| 2132220000       | 1 2K2 3/4" 1ST CERMET 43 P         | * 2K2 3/4" 1ST CERMET 43 P         | SPECTROL         |               |
| 2133100000       | 1 10K 3/4" 1ST CERMET 43 P         | * 10K 3/4" 1ST CERMET 43 P         | SPECTROL         | PM63 T19P 932 |
| 2133220000       | 1 22K 3/4" 1ST CERMET 43 P         | * 22K 3/4" 1ST CERMET 43 P         | SPECTROL         | PM63 T19P 932 |
| 2150470000       | 1 47R T05 CERMET T 7 YA            | * 47R T05 CERMET T 7 YA            | SFERNICE         |               |
| 2151470000       | 1 470R T05 CERMET T 7 YA           | * 470R T05 CERMET T 7 YA           | SFERNICE         |               |
| 2152100000       | 1 1 K T05 CERMET T 7 YA            | * 1 K T05 CERMET T 7 YA            | SFERNICE         |               |
| 2153100000       | 1 10K T05 CERMET T 7 YA            | * 10K T05 CERMET T 7 YA            | SFERNICE         | AP8PY NFC 832 |
| 2153220000       | 1 22K T05 CERMET T 7 YA            | * 22K T05 CERMET T 7 YA            | SFERNICE         | AP8PY NFC 832 |
| 2154100000       | 1 100K T05 CERMET T 7 YA           | * 100K T05 CERMET T 7 YA           | SFERNICE         |               |
| 2610911800       | 1 9X180R 2% 4310R-101-181          | * 9X180R 2% 4310R-101-181          | BOURNS           |               |
| 2610922200       | 1 9X2K2 2% 4310R-101-222           | * 9X2K2 2% 4310R-101-222           | BOURNS           |               |
| 2610924700       | 1 9X4K7 2% 4310R-101-472           | * 9X4K7 2% 4310R-101-472           | BOURNS           |               |
| 2610932200       | 1 9X22K 2% 4310R-101-223           | * 9X22K 2% 4310R-101-223           | BOURNS           |               |
| 3500380000       | 1 6800MHF 40V FELSIC C039          | * 6800MHF 40V FELSIC C039          | SIC SAFCO        | NFC-UTEC 83-1 |
| 3500560000       | 1 10 000MHF 25V ..... FELSIC C039  | * 10 000MHF 25V ..... FELSIC C039  | SIC SAFCO        | NFC-UTEC 83-1 |
| 3500570000       | 1 100MHF 50V ..... REF E035        | * 100MHF 50V ..... REF E035        | RTC              |               |
| 3600050000       | 1 2/10 PF ... REF C010 808 23109   | * 2/10 PF ... REF C010 808 23109   | RTC (C010)       | LNZ 106       |
| 3600120000       | 1 4/20 PF ... REF C010 808 23209   | * 4/20 PF ... REF C010 808 23209   | RTC(C010)        |               |
| 3600170000       | 1 2 A 10PF ..... DUS3A10           | * 2 A 10PF ..... DUS3A10           | JFO              |               |
| 3700010000       | 1 0.47MHF/35V 5.08 STAND L TAG     | * 0.47MHF/35V 5.08 STAND L TAG     | STC              |               |
| 3700020000       | 1 1MHF/35V 5.08 ..... STAND L TAG  | * 1MHF/35V 5.08 ..... STAND L TAG  | STC              |               |
| 3700090000       | 1 4.7MHF/35V L14 ..... CTS13       | * 4.7MHF/35V L14 ..... CTS13       | SPRAGUE          | NFC-UTEC 83-1 |
| 3700100000       | 1 4.7MHF/35V 5.08 ... STAND L TAG  | * 4.7MHF/35V 5.08 ... STAND L TAG  | STC              |               |
| 3700140000       | 1 10MHF/25V L14 20% ..... CTS13    | * 10MHF/25V L14 20% ..... CTS13    | SPRAGUE          | NFC-UTEC 83-1 |
| 3700150000       | 1 10MHF/25V 2.54 20% REF:4890 A1   | * 10MHF/25V 2.54 20% REF:4890 A1   | SPRAGUE          |               |
| 3700160000       | 1 10MHF/25V 5.08 ..... STAND L TAG | * 10MHF/25V 5.08 ..... STAND L TAG | STC              |               |
| 3700170000       | 1 22MHF/15V L14 20% ..... CTS13    | * 22MHF/15V L14 20% ..... CTS13    | SPRAGUE          | NFC-UTEC 83-1 |
| 3700180000       | 1 22MHF/16V 5.08 ... STAND L TAG   | * 22MHF/16V 5.08 ... STAND L TAG   | STC              |               |
| 4000160000       | 1 LD 3,17 ROUGE ..... HLMP 1002    | * RED 3.17 LED ..... HLMP 1002     | HP               |               |
| 4000200000       | 1 COUPLEUR OPTO 4N26               | * OPTO COUPLER 4N26                | MOTOROLA         |               |
| 4000280000       | 1 AFFICHEUR 0/9 HDSP 5540(F&G)     | * DISPLAYER 0/9 HDSP 5540(F&G)     | HP               |               |
| 4000290000       | 1 AFFICHEUR +/- 1 HDSP 5544(F&G)   | * DISPLAYER +/- 1 HDSP 5544(F&G)   | HP               |               |
| 4000310000       | 1 LED 3,17 VERT ..... HLMP-1503    | * GREEN 3.17 LED ..... HLMP-1503   | HP               |               |
| 4000320000       | 1 LED 3,17 JAUNE ..... HLMP-1401   | * YELLOW 3.17 LED ..... HLMP-1401  | HP               |               |
| 4000330000       | 1 COUPLEUR OPTO DOUBLE TLP 504 A   | * DOUBLE OPTO COUPLER TLP 504 A    | TOSHIBA          |               |
| 4100066400       | 1 U664B 'DIVISEUR 64'              | * U664B 'DIVIDER 64'               | TELEFUNKEN       |               |
| 4100344800       | 1 MC 3448 AP                       | * MC 3448 AP                       | MOTOROLA         |               |
| 4100864700       | 1 SP 8647 B                        | * SP 8647 B                        | PLESSEY          |               |
| 4101010900       | 1 MC 10109 L 'CERAMIQUE'           | * MC 10109 L 'CERAMIC'             | MOTOROLA         |               |
| 4101013100       | 1 MC 10131 P                       | * MC 10131 P                       | MOTOROLA         |               |
| 4150740000       | 1 SN 74 LS 00 N 3                  | * SN 74 LS 00 N 3                  | TEXAS            |               |
| 4150740400       | 1 SN 74 LS 04 N 3                  | * SN 74 LS 04 N 3                  | TEXAS            |               |
| 4150740500       | 1 SN 74 LS 05 N 3                  | * SN 74 LS 05 N 3                  | TEXAS            |               |
| 4150741000       | 1 SN 74 LS 10 N 3                  | * SN 74 LS 10 N 3                  | TEXAS            |               |
| 4150742000       | 1 SN 74 LS 20 N 3                  | * SN 74 LS 20 N 3                  | TEXAS            |               |
| 4150743000       | 1 SN 74 LS 30 N 3                  | * SN 74 LS 30 N 3                  | TEXAS            |               |
| 4150747400       | 1 SN 74 LS 74 N3                   | * SN 74 LS 74 N3                   | TEXAS            |               |
| 4150748300       | 1 SN 74 LS 83 N 3                  | * SN 74 LS 83 N 3                  | TEXAS            |               |
| 4150748500       | 1 SN 74 LS 85 N 3                  | * SN 74 LS 85 N 3                  | TEXAS            |               |
| 4150748600       | 1 SN 74 LS 86 N 3                  | * SN 74 LS 86 N 3                  | TEXAS            |               |
| 4157410700       | 1 SN 74 LS 107 AN 3                | * SN 74 LS 107 AN 3                | TEXAS            |               |
| 4157412200       | 1 SN 74 LS 122 N                   | * SN 74 LS 122 N                   | TEXAS            |               |
| 4157412300       | 1 SN 74 LS 123 N 3                 | * SN 74 LS 123 N 3                 | TEXAS            |               |
| 4157413200       | 1 SN 74 LS 132 N 3                 | * SN 74 LS 132 N 3                 | TEXAS            |               |
| 4157413800       | 1 SN 74 LS 138 N 3                 | * SN 74 LS 138 N 3                 | TEXAS            |               |
| 4157413900       | 1 SN 74 LS 139 N 3                 | * SN 74 LS 139 N 3                 | TEXAS            |               |
| 4157415600       | 1 SN 74 LS 156 N 3                 | * SN 74 LS 156 N 3                 | TEXAS            |               |
| 4157416200       | 1 SN 74 LS 162 N 3                 | * SN 74 LS 162 N 3                 | TEXAS            |               |
| 4157416300       | 1 SN 74 LS 163 N 3                 | * SN 74 LS 163 N 3                 | TEXAS            |               |
| 4157419600       | 1 SN 74 LS 196 N 3                 | * SN 74 LS 196 N 3                 | TEXAS            |               |
| 4157424400       | 1 SN 74 LS 244 N 3                 | * SN 74 LS 244 N 3                 | TEXAS            |               |
| 4157437400       | 1 SN 74 LS 374 N 3                 | * SN 74 LS 374 N 3                 | TEXAS            |               |
| 4160400100       | 1 C-MOS 4001                       | * C-MOS 4001                       | RTC              |               |
| 4160400200       | 1 C-MOS 4002                       | * C-MOS 4002                       | RTC              |               |
| 4160401300       | 1 C-MOS 4013                       | * C-MOS 4013                       | RTC              |               |
| 4160401700       | 1 C-MOS 4017                       | * C-MOS 4017                       | RTC              |               |
| 4160402300       | 1 C-MOS 4023                       | * C-MOS 4023                       | RTC              |               |

| REF ADRET   | QTE | DESCRIPTION                    | PART DESCRIPTION                | SUPPLIER/DRAWING | NORME      |
|-------------|-----|--------------------------------|---------------------------------|------------------|------------|
| PART NUMBER | QTY |                                |                                 |                  |            |
| 4160402700  | 1   | C-MOS 4027                     | C-MOS 4027                      | RTC              |            |
| 4160402800  | 1   | C-MOS 4028                     | C-MOS 4028                      | RTC              |            |
| 4160404200  | 1   | C-MOS 4042                     | C-MOS 4042                      | RTC              |            |
| 4160405100  | 1   | C-MOS 4051                     | C-MOS 4051                      | RTC              |            |
| 4160405300  | 1   | C-MOS 4053                     | C-MOS 4053                      | RTC              |            |
| 4160406600  | 1   | C-MOS 4066                     | C-MOS 4066                      | RTC              |            |
| 4160409300  | 1   | C-MOS 4093                     | C-MOS 4093                      | RTC              |            |
| 4160450400  | 1   | C-MOS MC 14504 BCP             | C-MOS MC 14504 BCP              | MOTOROLA         |            |
| 4160451800  | 1   | C-MOS 4518                     | C-MOS 4518                      | RTC              |            |
| 4160452000  | 1   | C-MOS 4520                     | C-MOS 4520                      | RTC              |            |
| 4160452800  | 1   | C-MOS 4528                     | C-MOS 4528                      | RTC              |            |
| 4160453200  | 1   | C-MOS 4532 BP                  | C-MOS 4532 BP                   | FAIRCHILD        |            |
| 4160455600  | 1   | C-MOS 4556                     | C-MOS 4556                      | RTC              |            |
| 4164016300  | 1   | C-MOS 40163                    | C-MOS 40163                     | RTC              |            |
| 4167218100  | 1   | C-MOS ICM 7218 AIJI            | C-MOS ICM 7218 AIJI             | INTERFIL         |            |
| 4167437400  | 1   | C-MOS 74 C 374 N               | C-MOS 74 C 374 N                | NS               |            |
| 4170276400  | 1   | EPROM 8K/8 REF 2764-DC 250MS   | EPROM 8K/8 REF 2764-DC 250MS    | AMD              |            |
| 4170436400  | 1   | RAM 8K/8 ST REF UPD 4364-C20L  | RAM 8K/8 ST REF UPD 4364-C20L   | NEC              |            |
| 4170680200  | 1   | N-MOS MC 6802 P                | N-MOS MC 6802 P                 | MOTOROLA         |            |
| 4170682100  | 1   | N-MOS MC 6821 P PIA            | N-MOS MC 6821 P PIA             | MOTOROLA         |            |
| 4176848800  | 1   | N-MOS MC 68488P 9U             | N-MOS MC 68488P 9U              | MOTOROLA         |            |
| 4180747400  | 1   | SN 74 F 74 N                   | SN 74 F 74 N                    | RTC              |            |
| 4200320000  | 1   | LF 356 N B+                    | LF 356 N B+                     | NS               |            |
| 4200360000  | 1   | TL 072 CP                      | TL 072 CP                       | TEXAS            |            |
| 4200380000  | 1   | LM 311 N 8 B+ (DIP 8)          | LM 311 N 8 B+ (DIP 8)           | NS               |            |
| 4200470000  | 1   | LM 317 LZ REGUL POSITIVE T092  | LM 317 LZ POSITIVE REGUL T092   | MOTOROLA         |            |
| 4200480000  | 1   | LM 317 T REGUL POSITIVE TO 220 | LM 317 T POSITIVE REGUL TO 220  | NS               |            |
| 4200610000  | 1   | LM 358 N /8+                   | LM 358 N /8+                    | NS               |            |
| 4200620000  | 1   | LM 3080 N /8+                  | LM 3080 N /8+                   | NS               |            |
| 4200640000  | 1   | LM 337 K REGUL -1 A -37U       | LM 337 K REGUL -1 TO -37U       | NS               |            |
| 4200660000  | 1   | LM 350 K 3A                    | LM 350 K 3A                     | NS               |            |
| 4200720000  | 1   | NE 5534 AN                     | NE 5534 AN                      | RTC              |            |
| 4200770000  | 1   | AD 534 JH                      | AD 534 JH                       | ANALOG DEVICES   |            |
| 4260711500  | 1   | DAC AD 7115 KN                 | DAC AD 7115 KN                  | ANALOG DEVICES   |            |
| 4260752500  | 1   | DAC AD 7525 KN                 | DAC AD 7525 KN                  | ANALOG DEVICES   |            |
| 4300110000  | 1   | BC560C /416C/415C/559C(BC214C) | BC560C /413C/415C/559C(BC214C)  | RTC              |            |
| 4300150000  | 1   | MPS 2369                       | MPS 2369                        | MOTOROLA         |            |
| 4300190000  | 1   | BC550C /414C/413C/549C(BC184C) | BC550C /414C/413C/549C(BC184C)  | RTC              |            |
| 4300250000  | 1   | BFR 90 POINT MARRON C.ENTREE   | BFR 90 INPUT CHECK BROWN POINT  | RTC              |            |
| 4300270000  | 1   | BFR 96 POINT ORANGE C.ENTREE   | BFR 96 INPUT CHECK ORANGE POINT | RTC              |            |
| 4300280000  | 1   | BFR 91 POINT ROUGE C.ENTREE    | BFR 91 INPUT CHECK RED POINT    | RTC              |            |
| 4300310000  | 1   | BFQ 22-S REMPLACE 0N543        | BFQ 22-S SUBSTITUTE TO 0N543    | RTC              |            |
| 4300370000  | 1   | BFT 95                         | BFT 95 INPUT CHECK GREEN POINT  | AEG              |            |
| 4300400000  | 1   | TP 3094                        | TP 3094                         | TRW              |            |
| 4300420000  | 1   | BD 135                         | BD 135                          | AEG              |            |
| 4300430000  | 1   | BD 136                         | BD 136                          | AEG              |            |
| 4300470000  | 1   | BFQ 32/BFT 96 POINT VIOLET C E | BFQ 32/BFT 96 I C VIOLET POINT  | RTC              |            |
| 4300570000  | 1   | BC 327-25 TO 92 (2N2907)       | BC 327-25 TO 92 (2N2907)        | ITT              |            |
| 4300580000  | 1   | BC 337-25 TO 92 (2N2222)       | BC 337-25 TO 92 (2N2222)        | ITT              |            |
| 4300590000  | 1   | BD 677 TO 126 (EX 675)         | BD 677 TO 126 (EX 675)          | MOTOROLA         |            |
| 4300600000  | 1   | MPS 3640                       | MPS 3640                        | MOTOROLA         |            |
| 4300610000  | 1   | BF 506                         | BF 506                          | MOTOROLA         |            |
| 4300620000  | 1   | MPS 918                        | MPS 918                         | MOTOROLA         |            |
| 4300630000  | 1   | BD 678 A (EX 676)              | BD 678 A (EX 676)               | MOTOROLA         |            |
| 4300670000  | 1   | 2N 3772                        | 2N 3772                         | MOTOROLA         |            |
| 4300720000  | 1   | BFY 90                         | BFY 90                          | RTC              |            |
| 4300750000  | 1   | BFQ 34T                        | BFQ 34T                         | RTC              |            |
| 4400140000  | 1   | BF 256 B (EX 2458)             | BF 256 B (EX 2458)              | RTC              |            |
| 4500020000  | 1   | 1M4151                         | 1M4151                          | FU'ITT           |            |
| 4500040000  | 1   | 1M4004                         | 1M4004                          | ITT              |            |
| 4500050000  | 1   | BY 251                         | BY 251                          | ITT              |            |
| 4500200100  | 1   | BA 282                         | BA 282                          | SIEMENS          |            |
| 4500310000  | 1   | I N 4448                       | I N 4448                        | ITT              |            |
| 4500340000  | 1   | BA 479G (DIODE PIN)            | BA 479G (PIN DIODE)             | TFK              |            |
| 4500450000  | 1   | BB 409 (STANDARD)              | BB 409 (STANDARD)               | SIEMENS          |            |
| 4500540000  | 1   | 1N6263 B035 (EX ESM247&246)    | 1N6263 (SUBSTIT. ESM247&246)    | RTC              |            |
| 4500550000  | 1   | OF 643 (OF555-BB4058)          | OF 643 (OF555-BB4058)           | RTC              |            |
| 4500560000  | 1   | BAT 19 'APRES TRI'             | BAT 19 'AFTER SORT'             | THOMSON          |            |
| 4500600000  | 1   | BB 809                         | BB 809                          | RTC              |            |
| 4600010000  | 1   | ZPD 4.7                        | ZPD 4.7                         | ITT              |            |
| 4600030000  | 1   | ZPD5.1                         | ZPD5.1                          | ITT              |            |
| 4600040000  | 1   | ZPD5.6                         | ZPD5.6                          | ITT              |            |
| 4600050000  | 1   | ZPD 6.2                        | ZPD 6.2                         | ITT              |            |
| 4600080000  | 1   | ZPD6.8                         | ZPD6.8                          | ITT              |            |
| 4600100000  | 1   | ZPD7.5                         | ZPD7.5                          | ITT              |            |
| 4600120000  | 1   | ZPD8.2                         | ZPD8.2                          | ITT              |            |
| 4600440000  | 1   | LM 336 BZ 2.5U                 | LM 336 BZ 2.5U                  | NS               |            |
| 5300070000  | 1   | 0.047MH REF 53809              | 0.047MH REF 53809               | 'FU'OREGA        | T-TR.G LNZ |
| 5300090000  | 1   | 0.068MH REF 53813              | 0.068MH REF 53813               | 'FU'OREGA        | T-TR.G LNZ |

| REF ADRET   | QTE | DESCRIPTION                    | PART DESCRIPTION               | SUPPLIER/DRAWING | NORME       |
|-------------|-----|--------------------------------|--------------------------------|------------------|-------------|
| PART NUMBER | QTY |                                |                                |                  |             |
| 5300110000  | 1   | 0,10MMH ORE 53800 DEL 1025-94  | 0,10MMH ORE 53800 DEL 1025-94  | OREGA DELEVAN    | U-TR021 LNZ |
| 5300120000  | 1   | 0,15MMH ORE 53802 DEL 1025-00  | 0,15MMH ORE 53802 DEL 1025-00  | OREGA DELEVAN    | U-TR021 LNZ |
| 5300140100  | 1   | 0,22MMH ORE 53806 DEL 1025-04  | 0,22MMH ORE 53806 DEL 1025-04  | OREGA DELEVAN    |             |
| 5300160000  | 1   | 0,33MMH ORE 53810 DEL 1025-08  | 0,33MMH ORE 53810 DEL 1025-08  | OREGA DELEVAN    |             |
| 5300170000  | 1   | 0,39MMH ORE 53812 DEL 1025-10  | 0,39MMH ORE 53812 DEL 1025-10  | OREGA DELEVAN    |             |
| 5300180000  | 1   | 0,47MMH ORE 53814 DEL 1025-12  | 0,47MMH ORE 53814 DEL 1025-12  | OREGA DELEVAN    |             |
| 5300200000  | 1   | 0,68MMH ORE 53818 DEL 1025-16  | 0,68MMH ORE 53818 DEL 1025-16  | OREGA DELEVAN    | U-TR021 LNZ |
| 5300220000  | 1   | 1,0MMH ORE 53822 DEL 1025-20   | 1,0MMH ORE 53822 DEL 1025-20   | OREGA DELEVAN    | U-TR021 LNZ |
| 5300290000  | 1   | 3,9MMH ORE 53836 DEL 1025-34   | 3,9MMH ORE 53836 DEL 1025-34   | OREGA DELEVAN    |             |
| 5300300100  | 1   | 4,7MMH ORE 53838 DEL 1025-36   | 4,7MMH ORE 53838 DEL 1025-36   | OREGA DELEVAN    |             |
| 5300320100  | 1   | 6,8MMH ORE 53842 DEL 1025-40   | 6,8MMH ORE 53842 DEL 1025-40   | OREGA DELEVAN    | U-TR021 LNZ |
| 5300340000  | 1   | 10MMH ORE 53846 DEL 1025-44    | 10MMH ORE 53846 DEL 1025-44    | OREGA DELEVAN    | U-TR021 LNZ |
| 5300360000  | 1   | 15MMH ORE 53850 DEL 1025-48    | 15MMH ORE 53850 DEL 1025-48    | OREGA DELEVAN    |             |
| 5300460000  | 1   | 100MMH ORE 53870 DEL 1025-68   | 100MMH ORE 53870 DEL 1025-68   | OREGA DELEVAN    |             |
| 5300480100  | 1   | 150MMH ORE 53874 DEL 1025-72   | 150MMH ORE 53874 DEL 1025-72   | OREGA DELEVAN    |             |
| 5300500000  | 1   | 220MMH ORE 53878 DEL 1025-76   | 220MMH ORE 53878 DEL 1025-76   | OREGA DELEVAN    |             |
| 5300520000  | 1   | 330MMH ORE 53882 DEL 1025-80   | 330MMH ORE 53882 DEL 1025-80   | OREGA DELEVAN    | U-TR021 LNZ |
| 5700040000  | 1   | ACCU 3V6 TYPE 310 REF 125132   | BATTERY 3V6 TYPE310 REF 125132 | SAFT             |             |
| 5900040000  | 1   | VENTILATEUR 24V AC ..... 950   | FAN 24V AC ..... 950           | PAPST            |             |
| 5900070000  | 1   | GENERATEUR 8040 SANS 'SCHMITT' | GENERATOR 8040 WITHOUT SCHMITT | ITT              |             |
| 6500020000  | 1   | CAPUCHON NOIR 14,5 040-3020    | BLACK CAP 14.5 040-3020        | ELMA             |             |

## Garantie et Assistance - Warranty and Assistance

Ce produit ADRET ELECTRONIQUE est garanti pour une durée d'un an à compter de la date de livraison.

La garantie s'applique aux appareils ayant subi des dommages mécaniques causés lors de l'expédition en partance de ADRET ELECTRONIQUE ou présentant, à la suite de défaillance d'un élément ou d'un sous-ensemble, des caractéristiques non conformes aux spécifications techniques. Sont toutefois exclus de la garantie les dommages occasionnés par une utilisation anormale de l'instrument.

Le client s'engage, pour sa part, à ne pas intervenir sur le produit pendant la période de garantie sous peine de la perdre définitivement. Le retour et la réexpédition de l'appareil lors d'une opération de maintenance sous garantie sont pris en charge pour moitié par ADRET ELECTRONIQUE.

Passé le délai de garantie, la Société reste bien entendu au service de ses clients en leur offrant son concours pour toutes éventuelles opérations de maintenance.

Pour tous renseignements complémentaires, veuillez contacter votre représentant ADRET le plus proche, les coordonnées de nos principaux agents étant données dans le tableau ci-dessous.

The ADRET ELECTRONIQUE product is guaranteed for a period of one year from the date of delivery.

The warranty applies to equipment with mechanical damage sustained during shipping from ADRET ELECTRONIQUE, or failing to conform to the technical specification due to faulty components of sub-assemblies. The warranty does not cover damage caused by incorrect use of the instrument.

The client for his part undertakes not to interfere with the equipment during the warranty period, failing which the warranty is rendered void. One half of the cost of returning and re-shipping the equipment for maintenance under warranty will be met by ADRET ELECTRONIQUE.

After expiry of the warranty period, the Company will of course remain at the service of its customers and will offer its help to them for any maintenance work that may be necessary.

For any further information, please contact your nearest ADRET representative. The addresses of our main agents are given in the table below.

## Réseau commercial ADRET - ADRET commercial network

### FRANCE

Société BASCOUL ELECTRONIQUE  
31200 TOULOUSE - 35, rue du Lucher  
Tél : 61 48 99 29 - Télex : 521 508  
33600 BORDEAUX PESSAC - 76 Avenue Pasteur  
Tél : 56 45 01 90 - Télex : 541 720

Société DIMEL Immeuble "Le Marino"  
83000 TOULON - Avenue Claude Farrère  
Tél : 94 41 49 63 - Télex 430 093

JCF ELECTRONIQUE  
74019 ANNECY CEDEX - Anancy le Vieux - BP 964  
Tél : 50 23 63 64 - Télex : 385 417

Société SOREDIA  
"Les Guittais" - Chatillon sur Seiche  
35015 RENNES CEDEX - BP 1413  
Tél : 99 50 50 29 - Télex : 950 359

### AFRIQUE DU SUD - SOUTH AFRICA

K.B.A. INSTRUMENTATION PTY  
P O BOX 41062 - Avenue Sandron 2199  
CRAIGHALL TRANSVAAL 2024  
Tél : (11) 788 1700/05 - Télex : 422 033

### ALLEMAGNE - GERMANY

S.P.E.A. GmbH - Schützenweg 62  
D 6305 GROSSEN BUSECK  
Tél : (64) 08 2081 Code 299 - Télex : 484 296

### ARGENTINE - ARGENTINA

RAYO ELECTRONICA  
1092 BUENOS AIRES - Belgrano 990  
Tél : (01) 381779 - Télex : 22153



AUSTRALIE - AUSTRALIA

VICOM INTERNATIONAL PTY  
57 City Road - South Melbourne  
VICTORIA 3205  
Tél : (03) 626 931 - Télex : 36935  
Telefax : (61) 3622325

AUTRICHE et EUROPE DE L'EST - EAST EUROPE

S.P.A. GES.m.b.H. Stifgasse 27  
A 1100 WIEN - Tél : (222) 62 61 41  
Telex : 116 084

BELGIQUE et LUXEMBOURG - Belgium and Luxembourg

SAIT ELECTRONICS  
B 1190 BRUXELLES - 66 Chaussée de Ruisbroek  
Tél : (02) 376 20 30 Code 280 - Télex : 61807

BRESIL - BRAZIL

GRADIENTE ELECTRONICA LTDA  
Staub Agency Division - Rua Sorocaba 316  
CEP 22271 BOTAFOGO - RIO DE JANEIRO  
Tél : (21) 286 8722 - Télex : 21 21131

CANADA

AIM ELECTRONICS INC  
376 Churchill Avenue - Suite 108  
OTTAWA - ONTARIO K1Z 5C3  
Tél : (613) 7228286 Code 284  
(514) 3322762 (Montréal) - Télex : 534862

DANEMARK - DENMARK

METRIC A.S.  
Skodsborgvej 305 - D. K. 2850 - NAERUM  
Tél : (02) 80 4200 Code 285 - Télex : 37163

ESPAGNE - SPAIN

TELCO  
Gravina 27 - MADRID  
Tél : (01) 231 71 01 Code 279 - Télex : 27348

ETATS-UNIS - UNITED STATES

COMSTRON CORP  
10 Hub Drive - MELVILLE - NEW YORK 11747  
Tél : (516) 756 1100  
Télex : 4973525  
Telefax : (516) 756 1167

FINLANDE - FINLAND

ORBIS OY  
Sorolantie 16 - P O BOX 15 - 00421 HELSINKI 42  
Tél : (358) 05664066 Code 283 - Télex : 123134

GRANDE-BRETAGNE - GREAT BRITAIN

RACAL DANA  
Duke Street - WINDSOR BERKS SL4 1SU  
Tél : (75) 38 68 101 Code 274 - Télex : 847013

GRECE - GREECE

SCIENTIFIC ENTERPRISES C.O.  
45, Agion Saranta St - 18 346 ATHENES  
Tél : (1) 482 34 21 - Télex : 221770

HONG KONG

I N F A  
19 Austin Road - TSIMSHATSUI, KOWLOON - HONG KONG  
Tél : (852) 5 7211151 - Télex : 54016

INDE - INDIA

HINDUSTAN INSTRUMENTS LTD  
603 Vishal Bhavan - 95 Nehru Place  
NEW DELHI 110 019  
Tél : (11) 6410529 - Télex : 31 61209

ITALIE

LP INSTRUMENTS  
Paolo Pailia 5 - 20139 MILANO  
Tél : (02) 5392440 Code 277 - Télex : 315085

KOWEIT - MOYEN ORIENT

ABDUL AZIZ YOUSUF ESSA et CO WLL  
P O BOX 3562 - SAFAT  
Télex : 23576

NORVEGE - NORWAY

TERCO A.S.  
P O BOX 98 - N 1540 VESTBY  
Tél : (02) 951000 Code 287 - Télex : 74464

NOUVELLE ZELANDE - NEW ZEALAND

NEBCO  
17 Adelaide Road - P O BOX 9749  
NEWTOWN WELLINGTON  
Tel : (64) 4858689 - Telex : NX 3582  
Telefax : (64) 4850510

PAYS-BAS - NETHERLAND

CN ROOD BV  
11.13, Cort V.D Lindenstraat - P O BOX 42  
2280 RIJSWIJK  
Tél : (70) 996 360 Code 281 - Télex 31238

PORTUGAL

RUALDO LDA  
9 - 15 Rua de San Jose - 1198 LISBOA CODEX  
Tél : (01) 373461 Code 286 - Télex : 16447

REP. POPULAIRE DE CHINE - CHINA

COMPAGNIE OLIVIER  
Peking Hôtel - Gui Bin Shi n°3 - BEIJING  
Télex : 22375

SINGAPOUR - SINGAPORE

COSMOTEC ENTERPRISES LTD  
70 Bendemeer Road - Hiap Huat House 05-04  
SINGAPOUR 1233  
Tél : (65) 2967766 - Télex 36992

SUEDE - SWEDEN

SAVEN AB  
Nytorsvagen 30 - P O BOX 504 - S 18325 TABY  
Tél : 87921100 Code 282 - Télex : 12986

SUISSE - SWITZERLAND

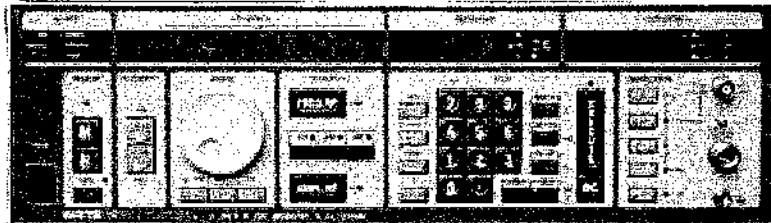
AMOTEC ELECTRONIC AG  
Rofthuhstraße 38 - 8702 ZOLLIKON  
Tél : (01) 3915630 - Télex : 816906  
Telefax : (01) 3915633

TAIWAN

CATHAY ENTERPRISE CO Ltd  
P O BOX 1778 - 102 Thun hua Road - TAIPEI  
Tél : (886) 7310558 - Télex : 22392  
Telefax : (886) 7732227

# ADRET

VHF GENERATOR  
MODEL 730A



MAINTENANCE HANDBOOK  
PART ONE

## C O N T E N T

|            |   |                                  |              |
|------------|---|----------------------------------|--------------|
| CHAPTER VI | : | MAINTENANCE.....                 | VI-1         |
|            |   | - Continuous FM board.....       | 0107308301-1 |
|            |   | - 10 000 Steps board.....        | 0274750000-1 |
|            |   | - 200 Steps board.....           | 0274760000-1 |
|            |   | - Phase-lock Oscillator.....     | 0274770000-1 |
|            |   | - 2 MHz Steps board.....         | 0274780000-1 |
|            |   | - Modulations.....               | 0274800000-1 |
|            |   | - Analog board.....              | 0274810000-1 |
|            |   | - 400 MHz Generation board.....  | 0274990000-1 |
|            |   | - VHF Module.....                | 0275200000-1 |
|            |   | - Attenuator Assembly.....       | 0275710000-1 |
|            |   | - 480 MHz Generation Module..... | 0276450000-1 |

## CHAPTER VI

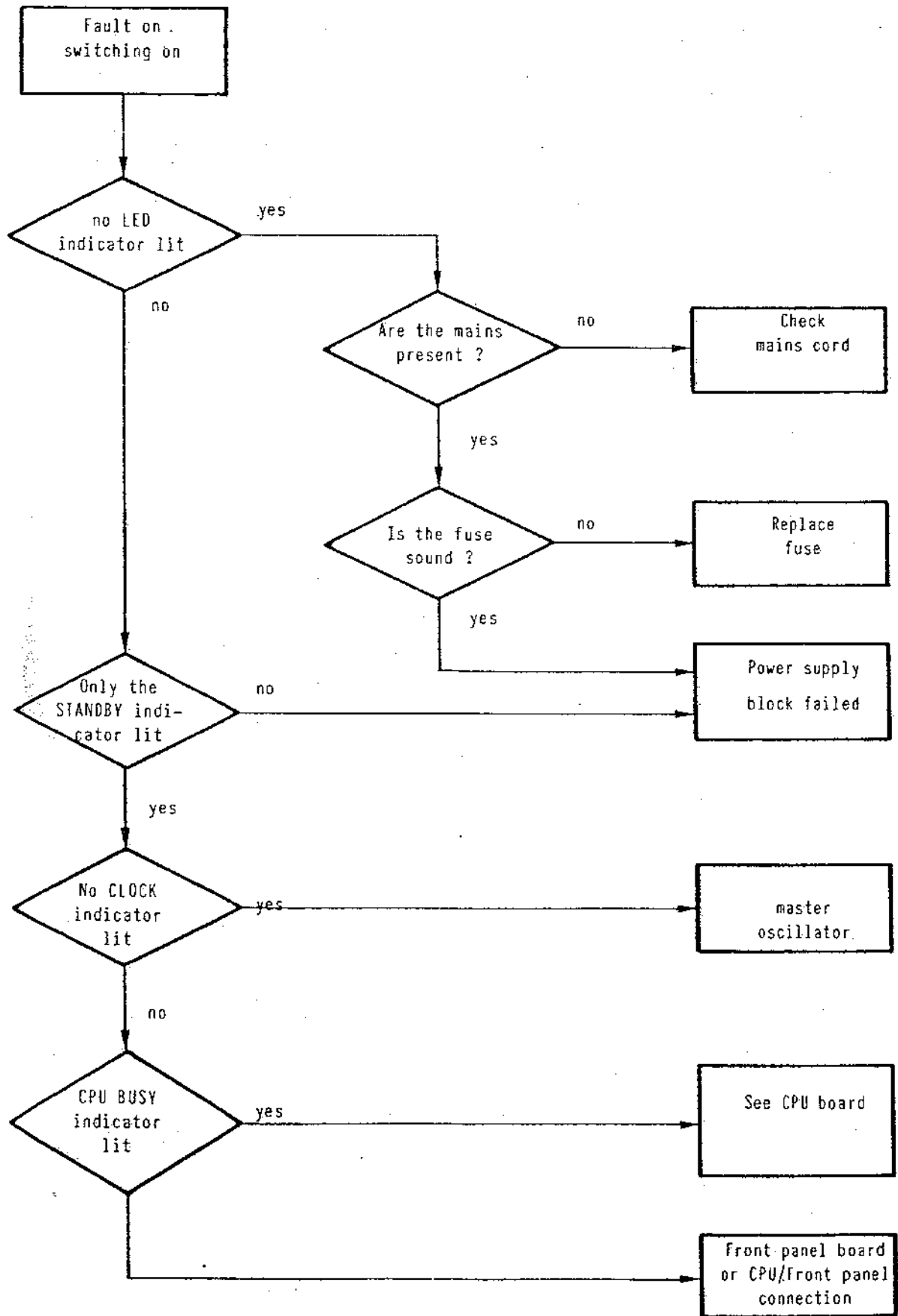
### MAINTENANCE

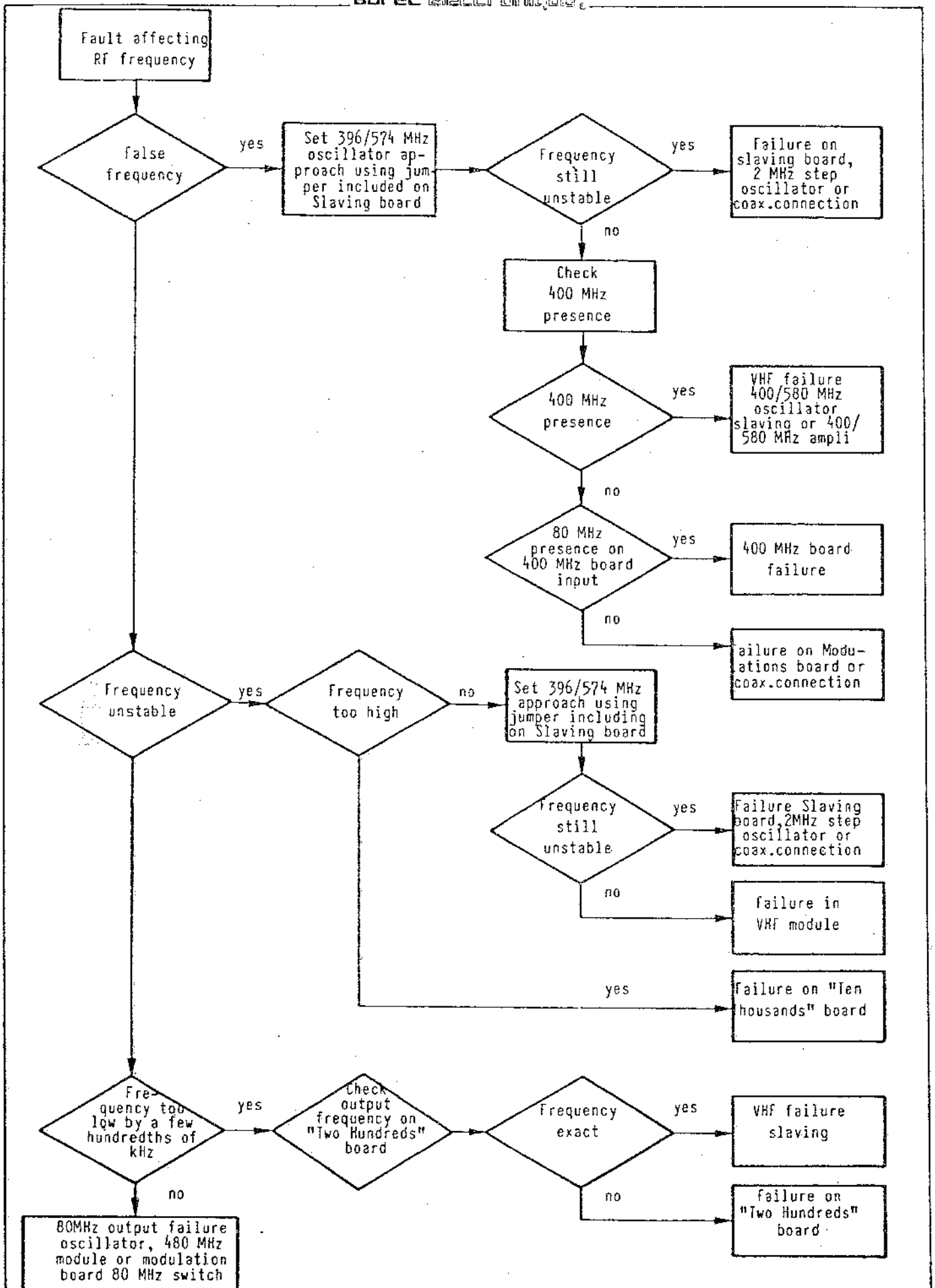
#### FAULT FLOWCHARTS

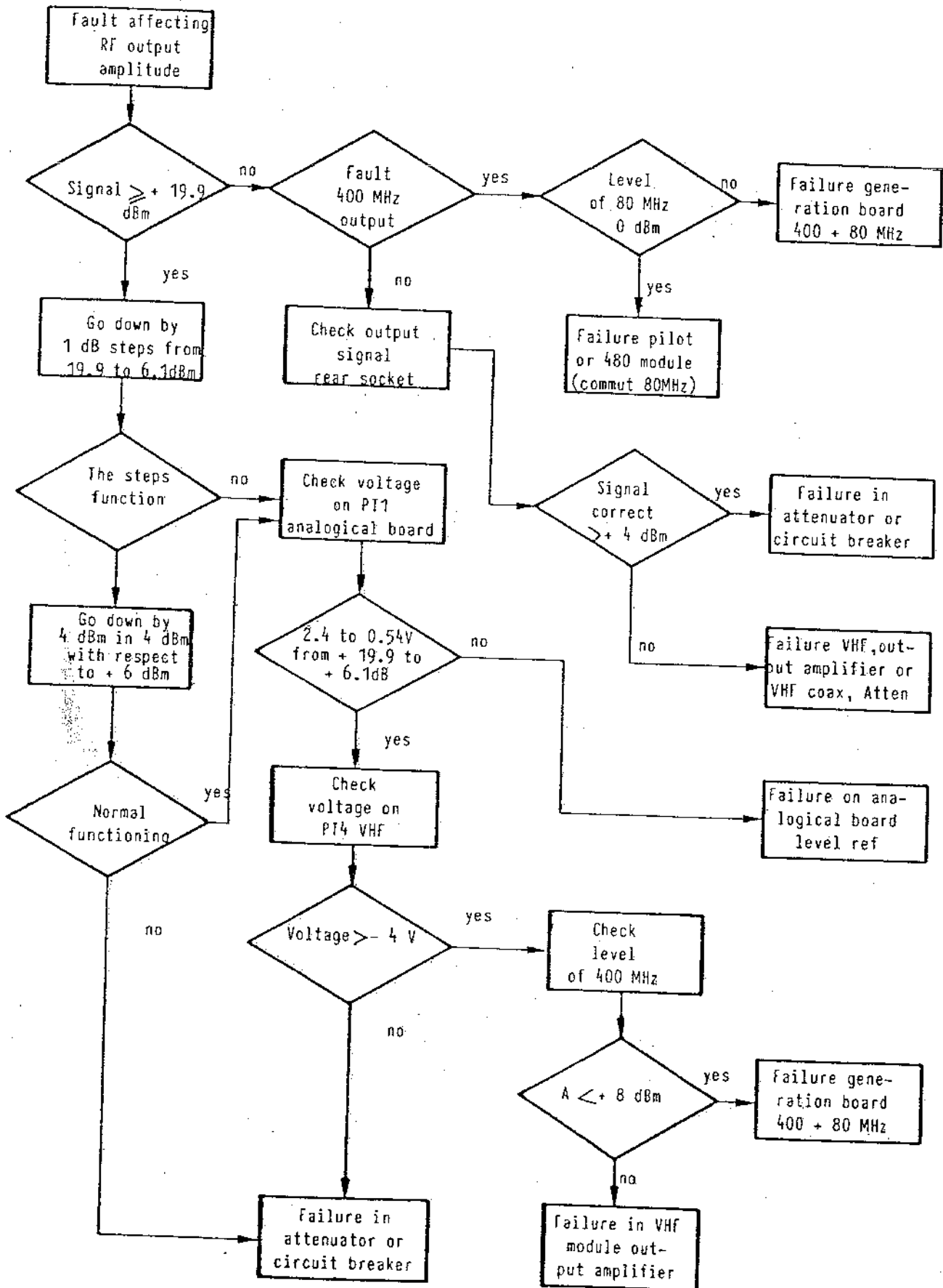
Fault flowcharts have been established for each instrument function showing the faults most likely to occur in order to facilitate the repair of the instrument.

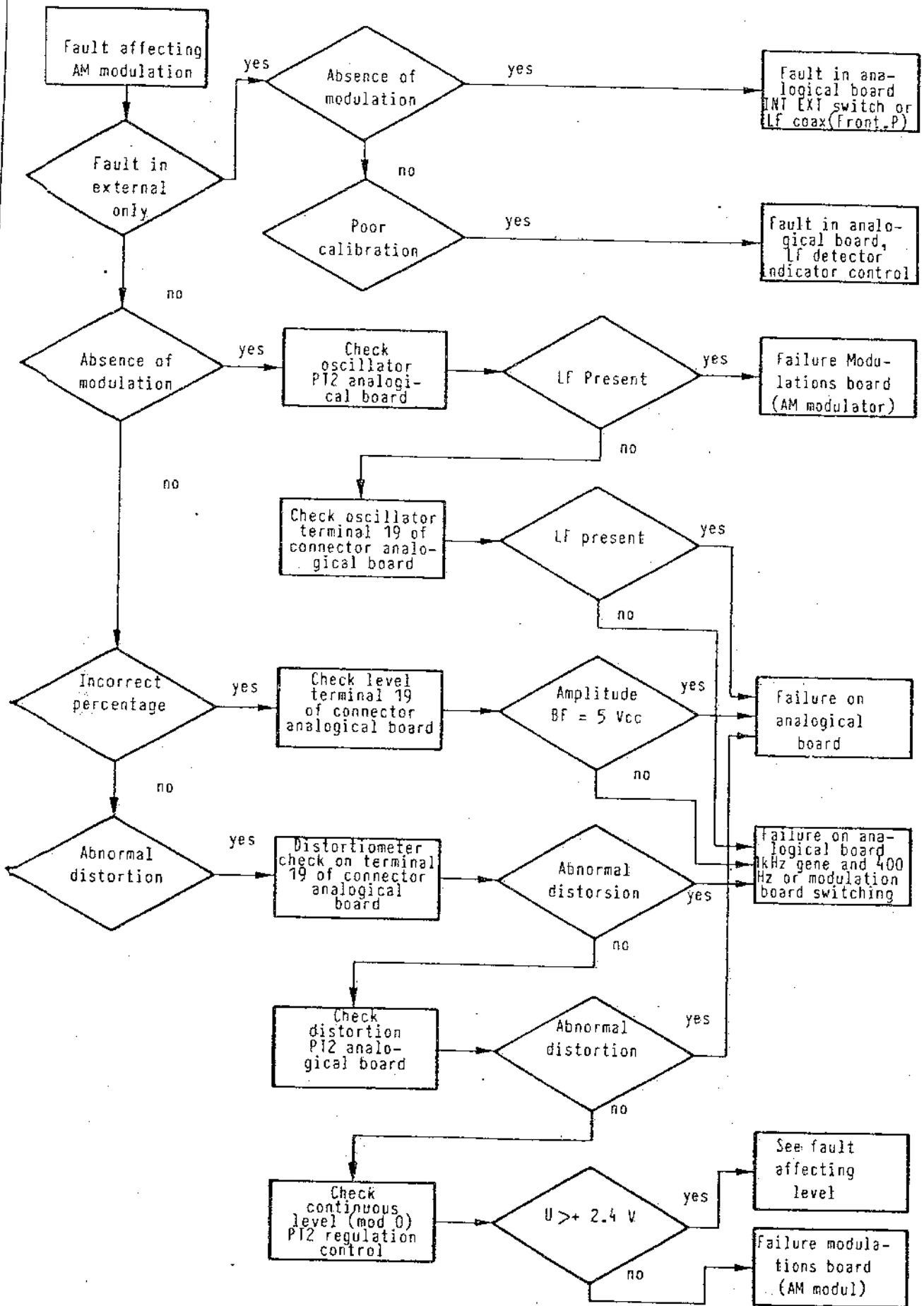
They indicate the checks to be made and localize faults to the suspect module, sub-assembly or connection.

- 1) Faults affecting the display,
- 2) Faults affecting RF frequency,
- 3) Faults affecting RF output amplitude,
- 4) Faults affecting AM modulation,
- 5) Faults affecting FM and  $\phi$ M modulations.

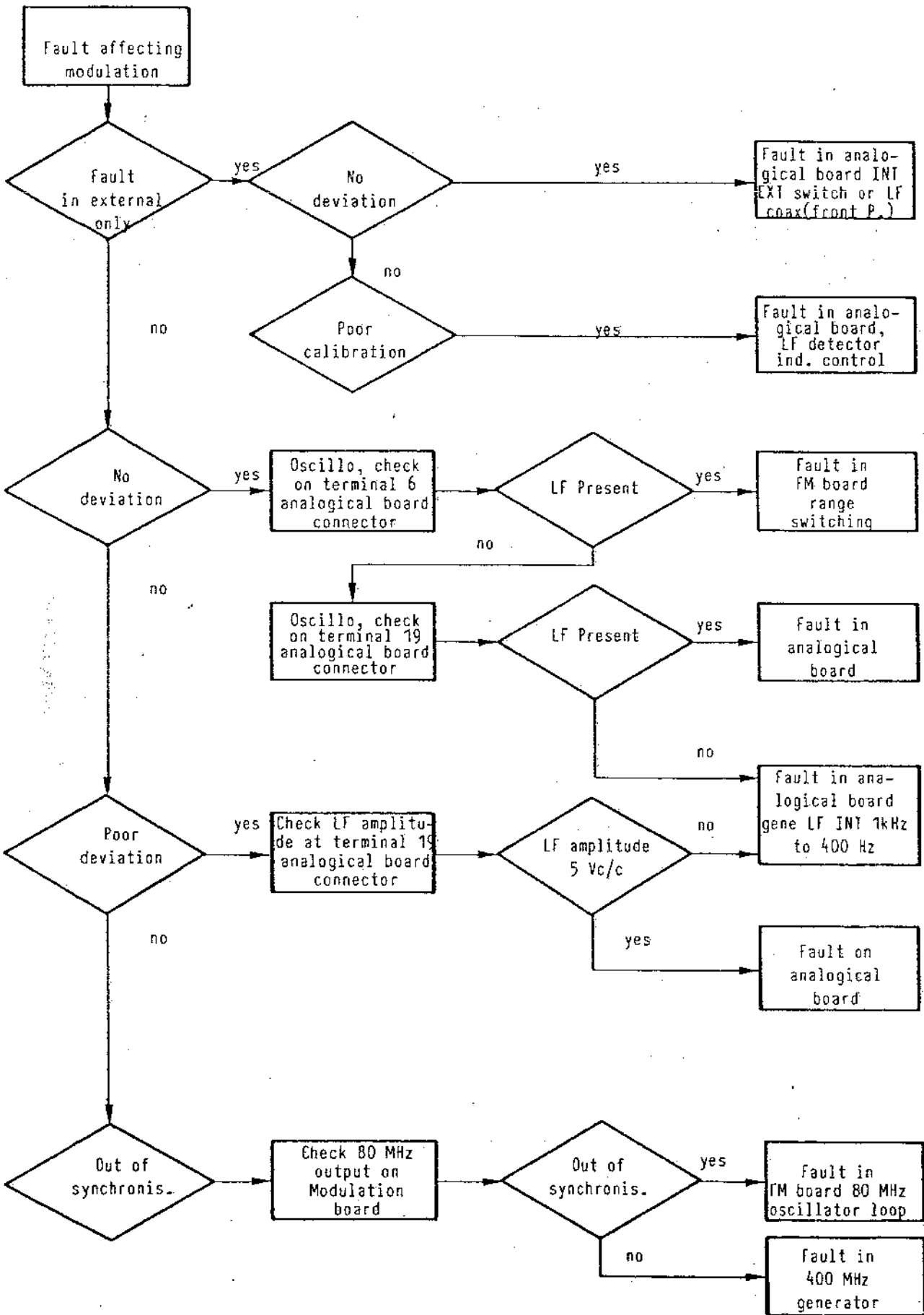


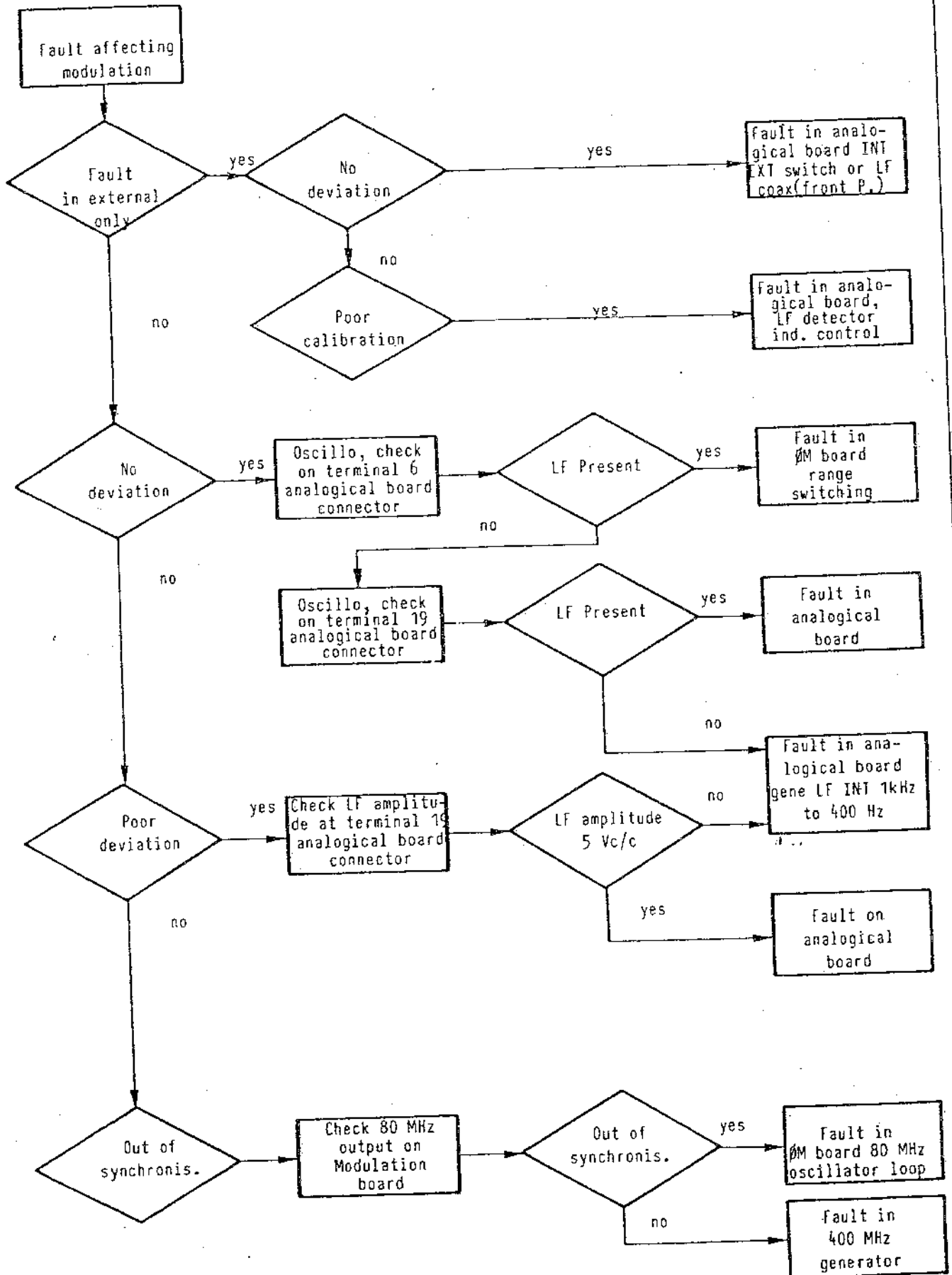












## CONTINUOUS FM BOARD

This board generates an 80 MHz FM frequency with bandwidth ranging from continuous to  $\pm 10$  kHz of  $F_0$ . It is substituted for an 80 MHz nonmodulated or AM signal, or for an 80 MHz FM or  $\phi$ M signal.

Description

An 8 MHz quartz oscillator is frequency-modulated by a voltage applied on varicap BB 809 which modifies the capacity of the quartz oscillating circuit.

The signal is linearized by two operational amplifiers, A2 and A3, and a type AD534JH linearizing circuit which compensates for the varicap fault in linearity.

Amplifier A2 corrects the term in  $X^2$  by P2.  
Its gain is adjustable from + 1 to -1.

Amplifier A3 corrects the term in  $X^3$  by P3.  
Its gain is adjustable from + 4 to - 4.

The A3 output drives the current of one of the sections of a current block made up of transistors BC416 and BC414, designed to apply the corrective terms to amplifier A4 and shift the continuous audio-frequency signal ; this may take place with a correction cell link, if applicable.

Regulation of frequency deviation takes place on the modulation audio-frequency input by variation in the gain of amplifier A1, which may be adjusted by P1 (10 V DC maximum). This amplified audio-frequency signal is then applied to the linearizing circuit and shifting amplifier A4.

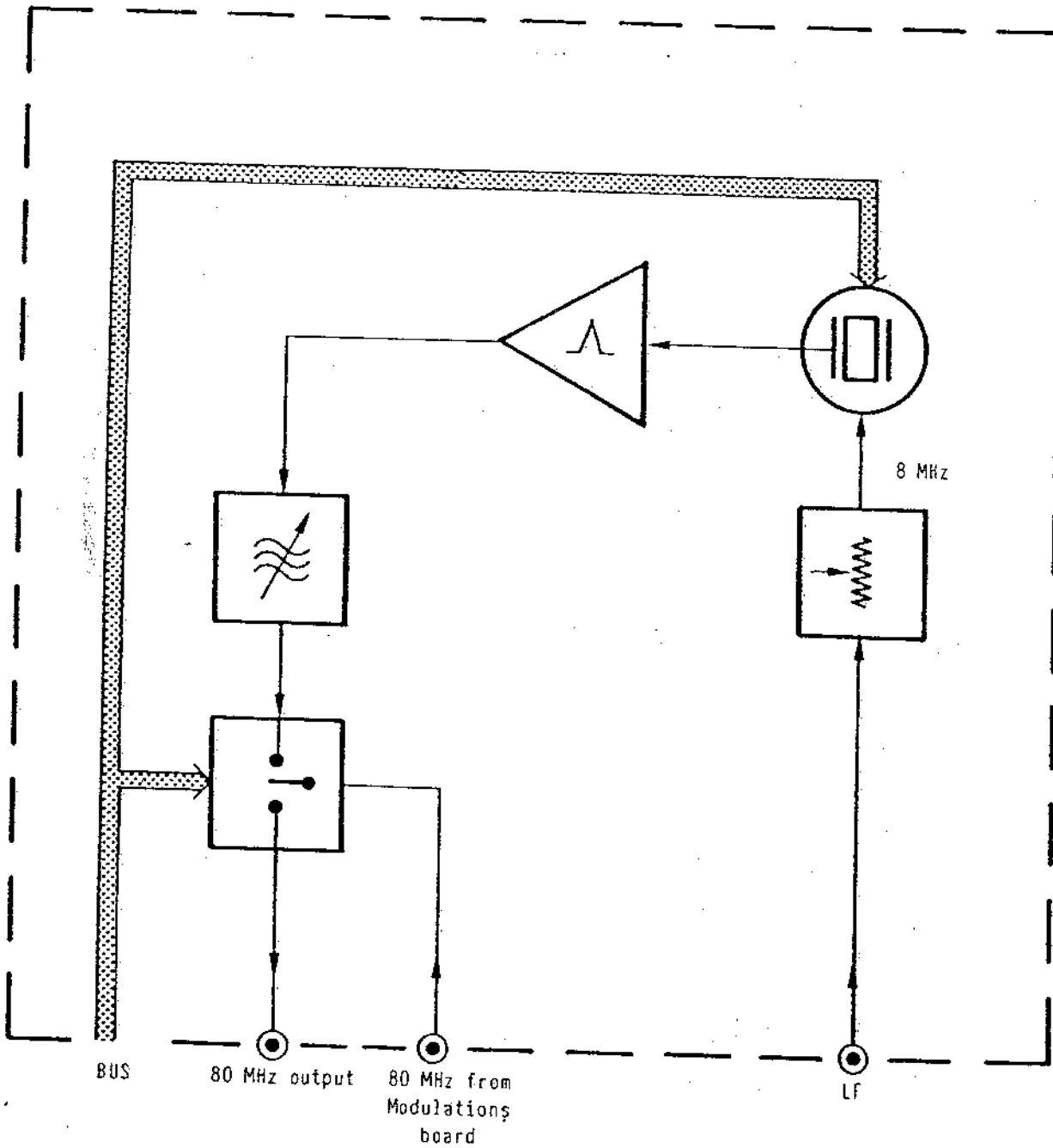
The role of amplifier A4 is to center the modulation audio-frequency signal around 6 V DC (adjusted by P4 on the current block) in order to use the most linear portion of the varicap slope.

The output of amplifier A4 applies the audio-frequency signal to the varicap by means of a series RL network which drives it under low impedance in order to limit audio-frequency signal noise while remaining at high impedance under 8 MHz.

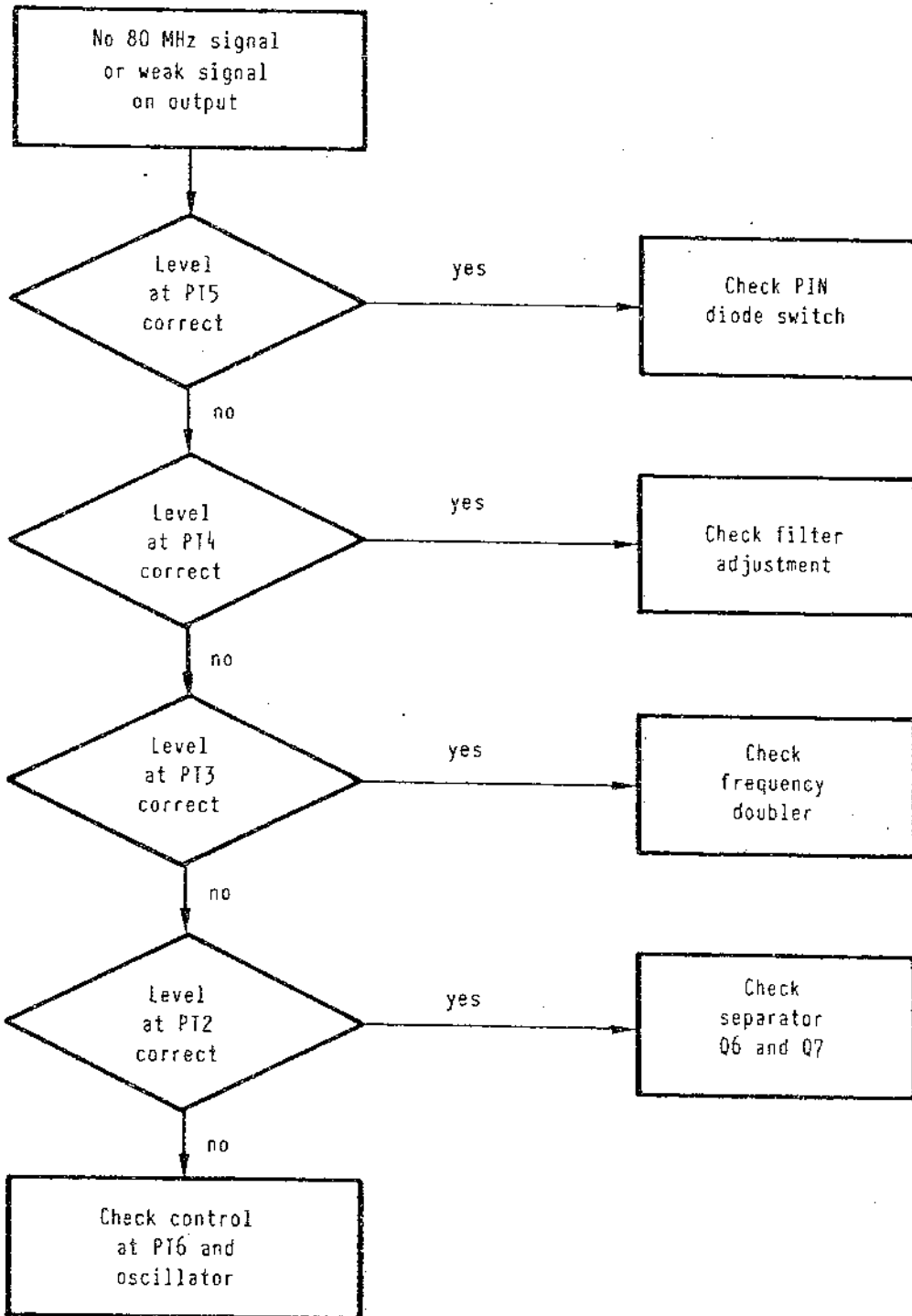
The 8 MHz quartz oscillator, which is thermostatically controlled in order to limit temperature drift, is multiplied by two (diode doubler) and applied to a class C amplifier in the collector ; a circuit in the collector tuned on harmonic 5 enables 80 MHz selection.

This 80 MHz signal is sent across a PIN diode switch after filtering which selects either it or the signal output by the Modulations board - or + polarization of the diodes by means of SN4. When the 80 MHz signal from the Modulations board is selected, the 8 MHz oscillator is cut off by non-conduction of Q5. The level of the 80 MHz signal is regulated by adjusting P5 on the class C amplifier.

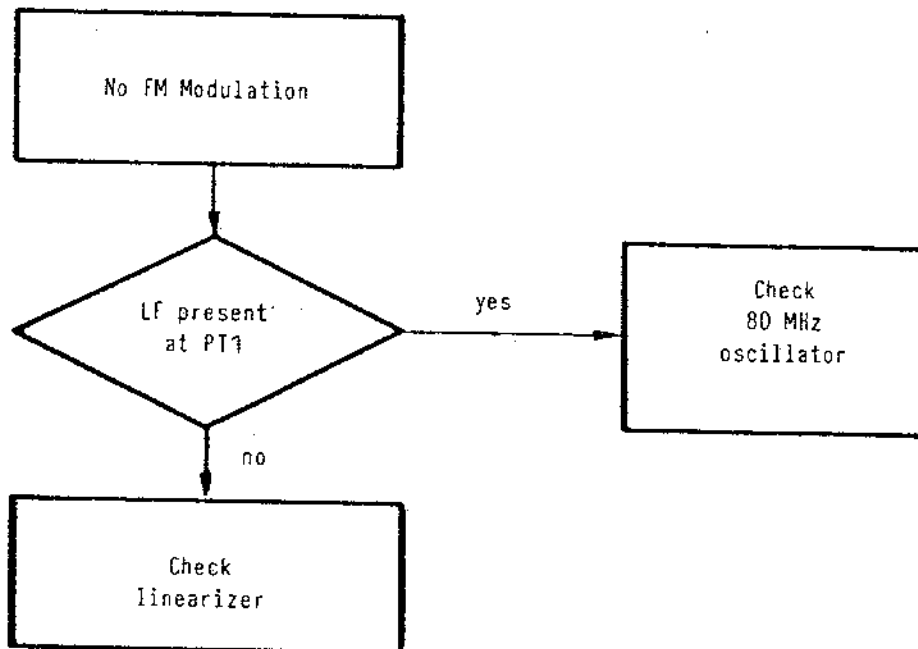
SYNOPTIQUE



Flowchart 1



Flowchart 2



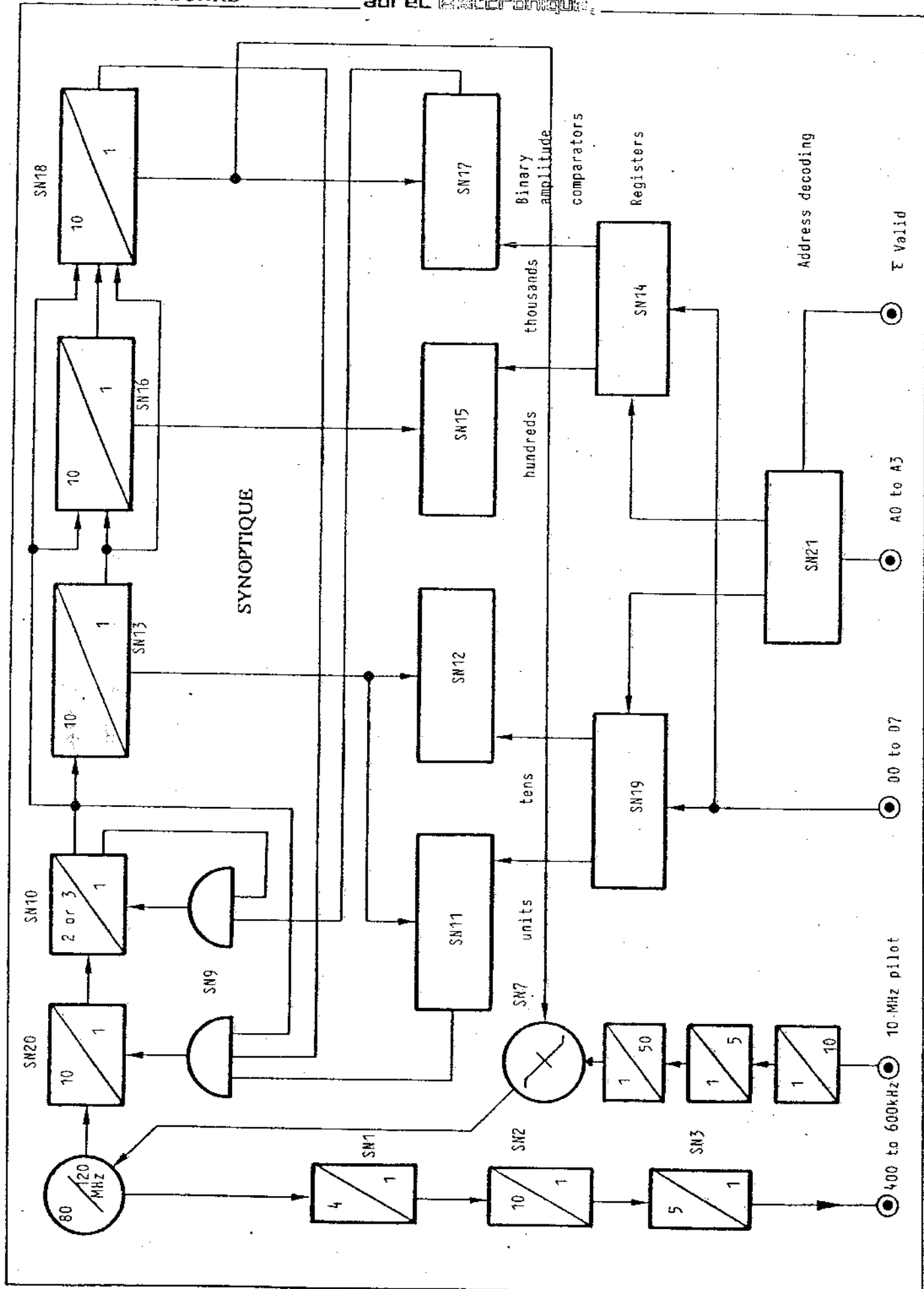
## 10 000 STEPS BOARD

The "10 000" Steps board generates the increments from 1 Hz to 9.999 kHz, or 9999 steps. Frequency resolution of the 730 is 1 Hz.

An 80 to 120 MHz oscillator drives two separators. Q3 sends the signal to the 400 to 600 kHz output across a divider by 200 ( $4 \times 10 \times 5$ ); Q4 is used as an ECL - TTL adapter. Additionally, Q3 transmits the signal to the 20,000 to 29,999 programmed divider. Phase-lock oscillator on the CPF SN07 is brought about by comparison between the output of this divider and a 4 kHz reference frequency.

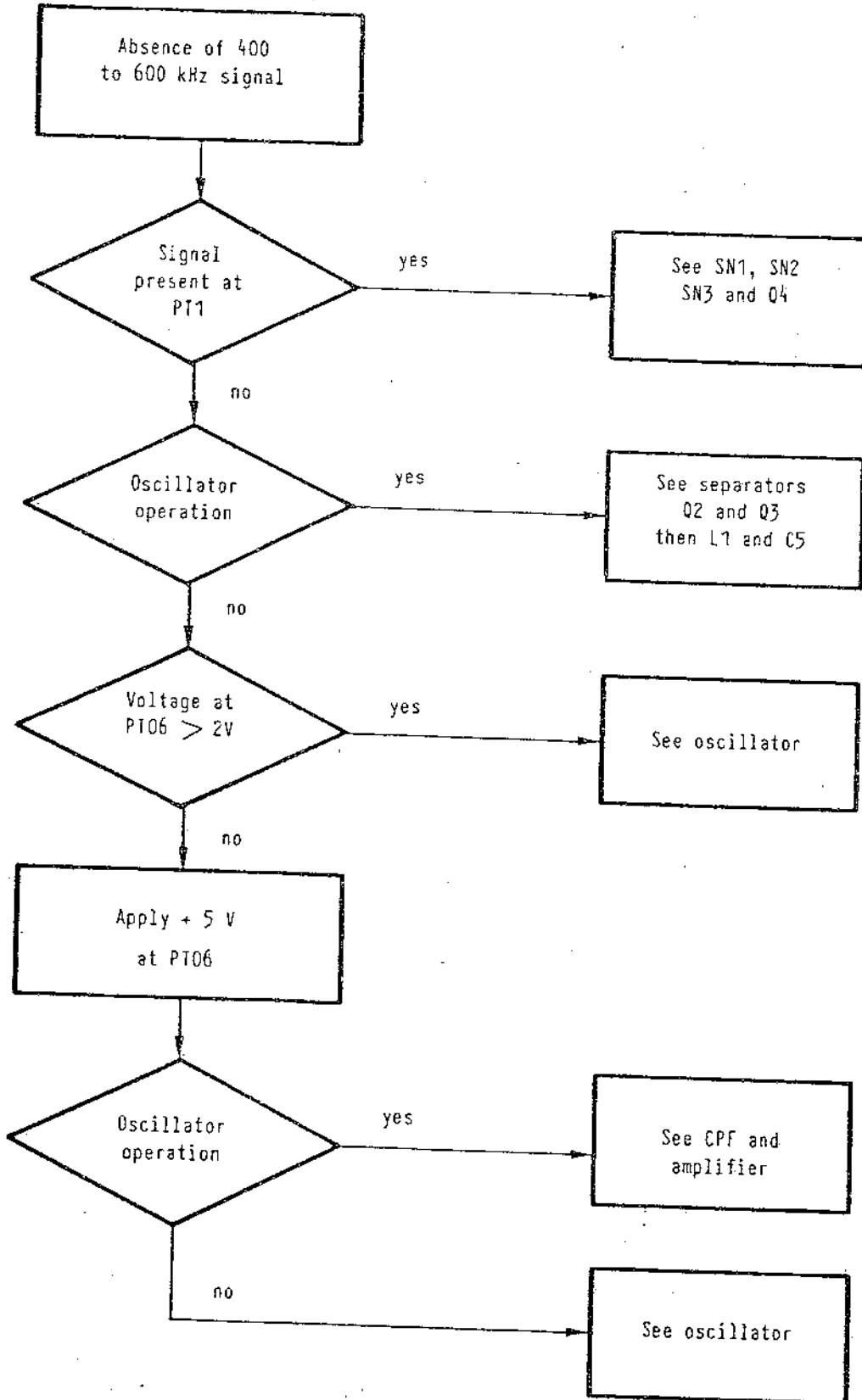
This latter is obtained from the input 10 MHz signal after division by 2500 ( $10 \times 5 \times 50$ ). Q09 is a TTL - MOS - 15 V adapter.

The programmed divider first uses an ECL SP 8647 circuit which divides by 10 or 11, followed by divider by 2 or 3 SN10, then three dividers by 10 in series, SN13, SN16 and SN18. Division ratio coding is sent to the 74LS85 comparators, SN12, SN15 and SN17, by means of registers SN19 and SN14. These receive signals from the data bus and are addressed by SN21 to which is connected the address bus; validation of this decoder is ensured by bit E.

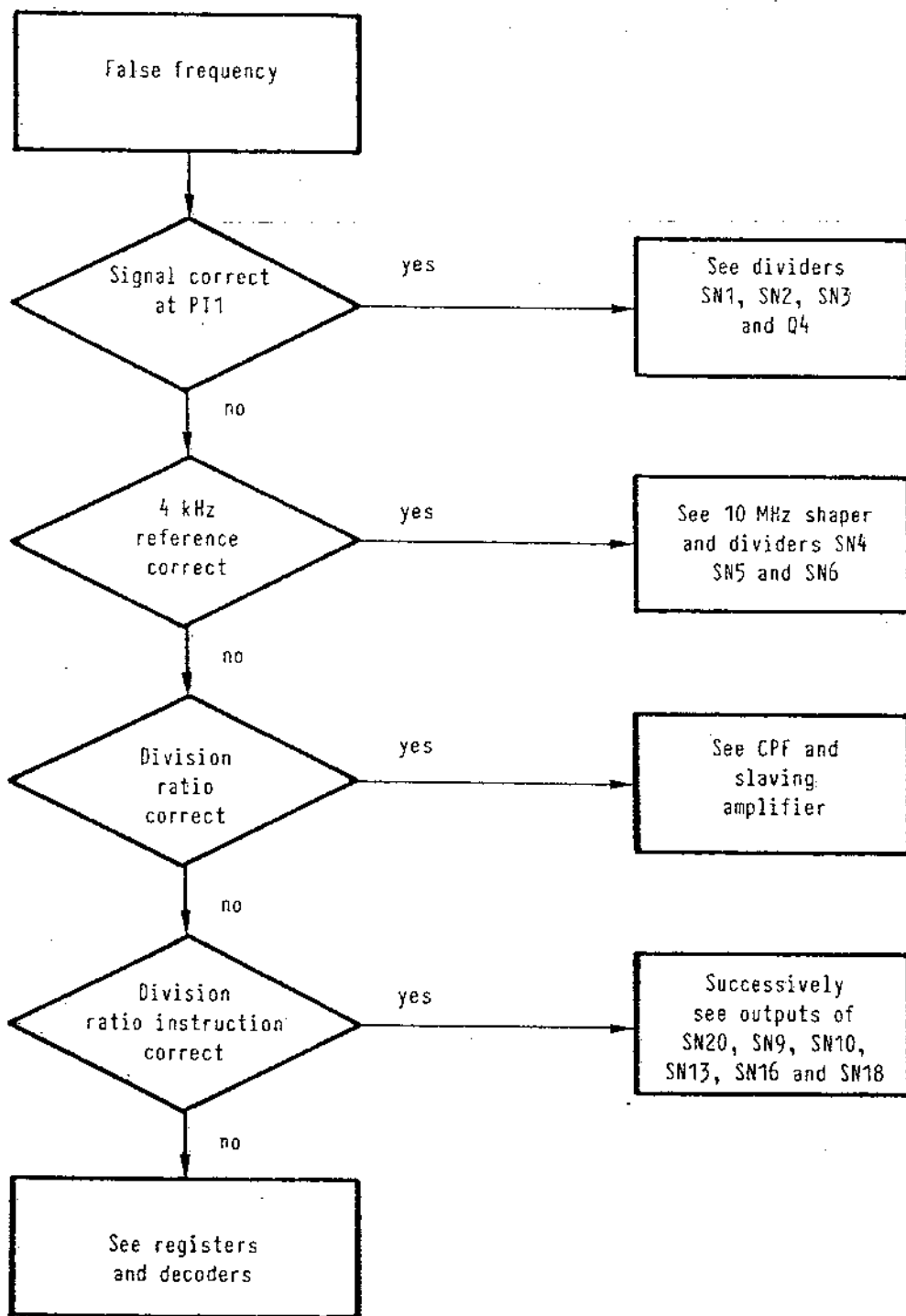




Flowchart 1



Flowchart 2



## 200 STEPS BOARD

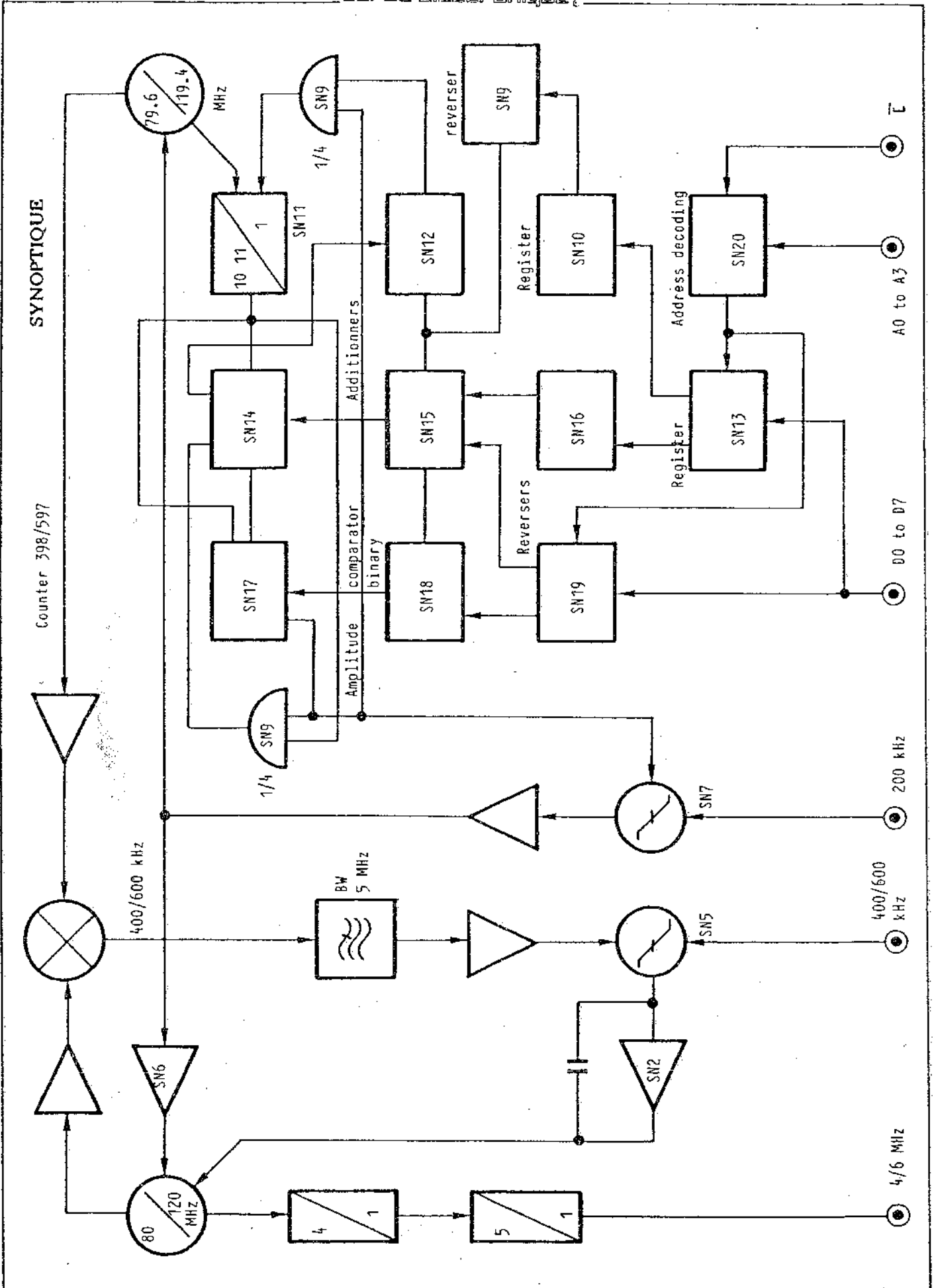
Operation

The "200" Steps board generates increments from 10 kHz to 1.99 MHz, or 199 steps. To this, it adds the increment made on the "10 000" Steps board, or 9.999 kHz maximum. It features two oscillators.

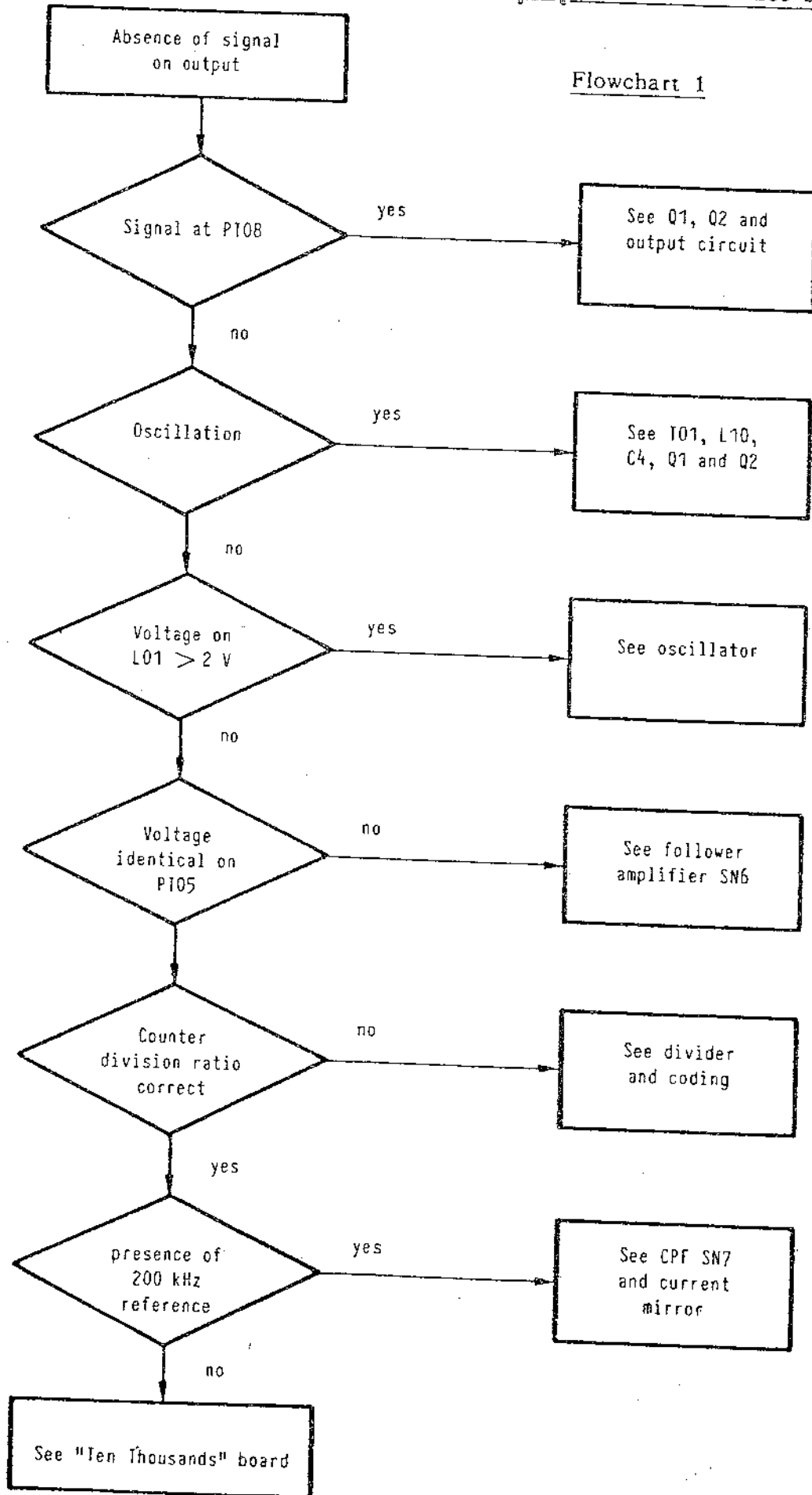
The first oscillator, covering the 79.6 to 119.4 MHz range, has its own independent phase-loop. Its frequency, after division by 398 to 597 in a programmed counter, is compared to a 200 kHz reference in CPF SN7. The downstream current block delivers the oscillator phase-locking voltage, which is also used for approach of the 80 to 120 MHz oscillator by means of follower amplifier SN6.

The second, 80 to 120 MHz oscillator represents the sum of the 400 to 600 kHz frequency output from the "10 000" Steps board and the 79.6 to 119.4 MHz oscillator. The difference in frequency between the two oscillators, made in the diodes mixer, is compared in CPF SN5 to the 400 to 600 kHz frequency output from the "10 000" Steps board. The CPF output locks the 80 to 120 MHz oscillator across integrator amplifier SN2.

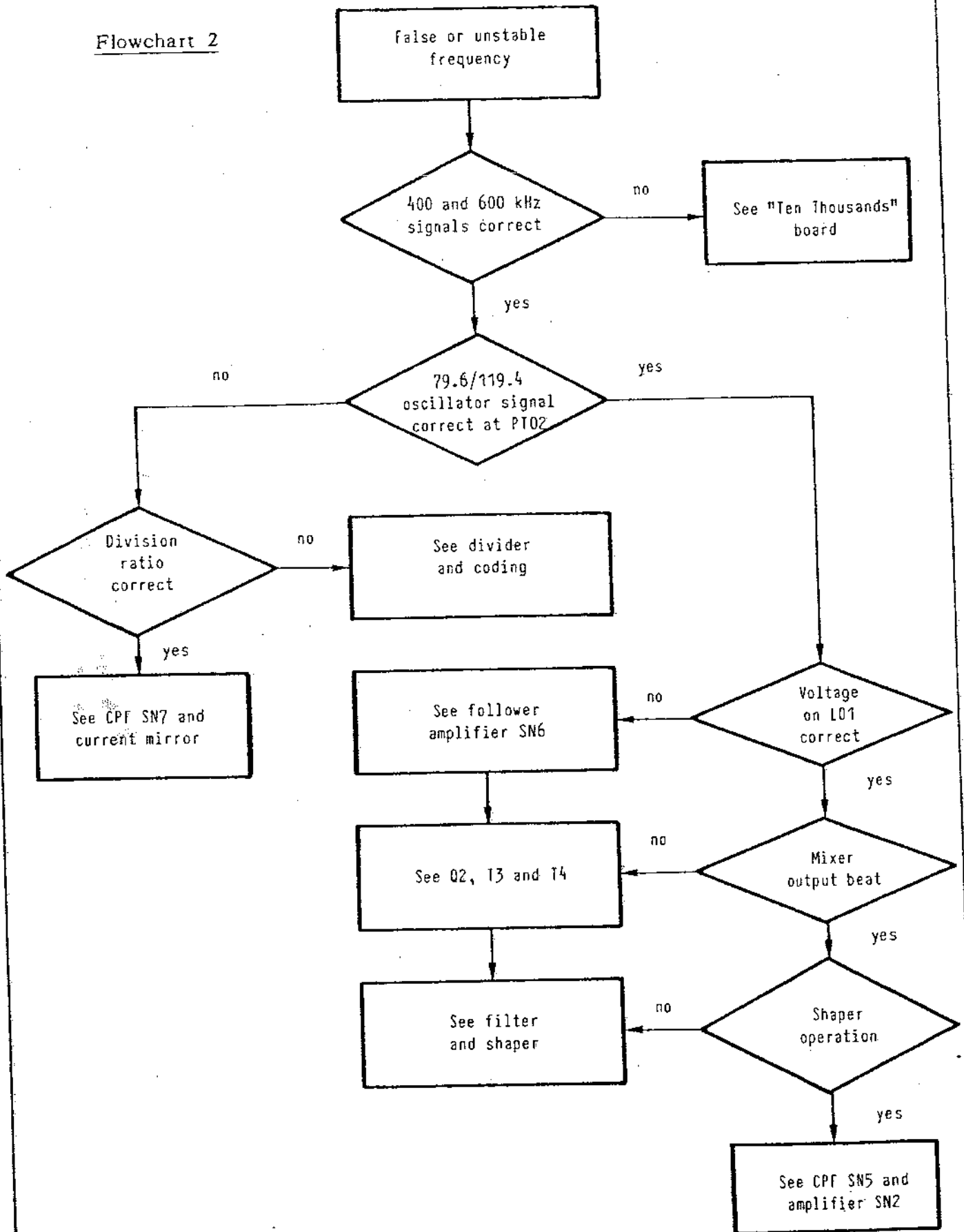
Circuit SN20 is an address decoder. It changes the data in register SN13, which represent the instruction of the programmed divider.



Flowchart 1



Flowchart 2



## PHASE-LOCK OSCILLATOR

The Phase-lock oscillator board performs the following :

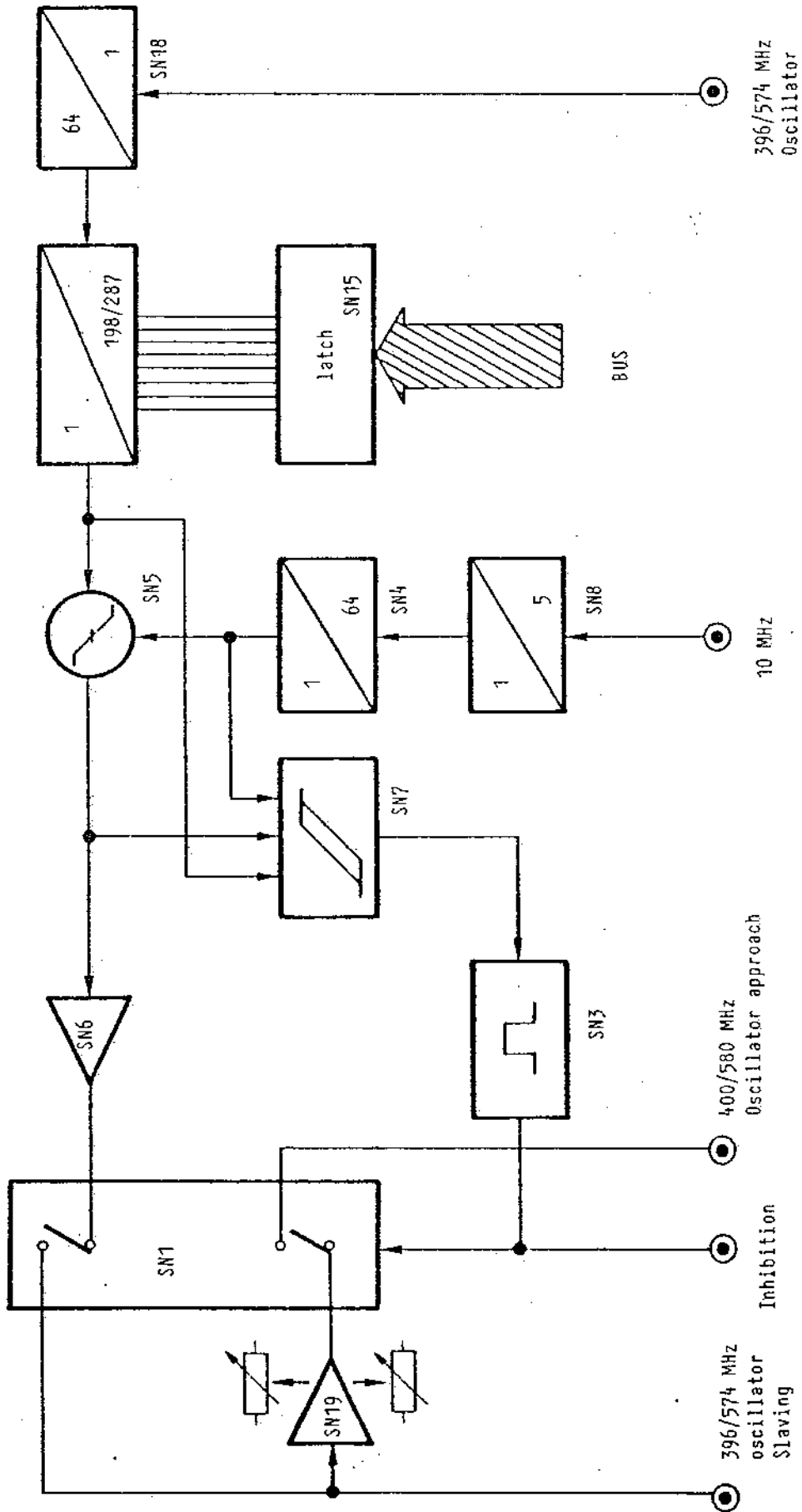
- \* approach of the 396/574 MHz oscillator, and
- \* approach of the final 400 to 500 MHz oscillator, as well as frequency tracking of both oscillators.

A frequency comparison device is activated with each frequency change made on the front panel keyboard and prepositions the 396/574 MHz and 400 to 580 MHz oscillators on their new value. This device operates only in a transient manner (approximately 2 ms).

The frequency output by the 396/574 MHz oscillator is divided by 64 in SN18 and by 198 to 297 in the programmed divider controlled by SN15. The frequency is 31.25 kHz at output and is compared in comparator SN5 to the reference frequency obtained after division by 320 in dividers SN8 and SN4. The comparator operates constantly but coincidence circuit SN7 triggers monostable SN3 with each new counter data bit ; for approximately 2 ms, this monostable closes switch SN1. This switch validates the approach of the 396/574 MHz oscillator and the 400/580 MHz oscillator.

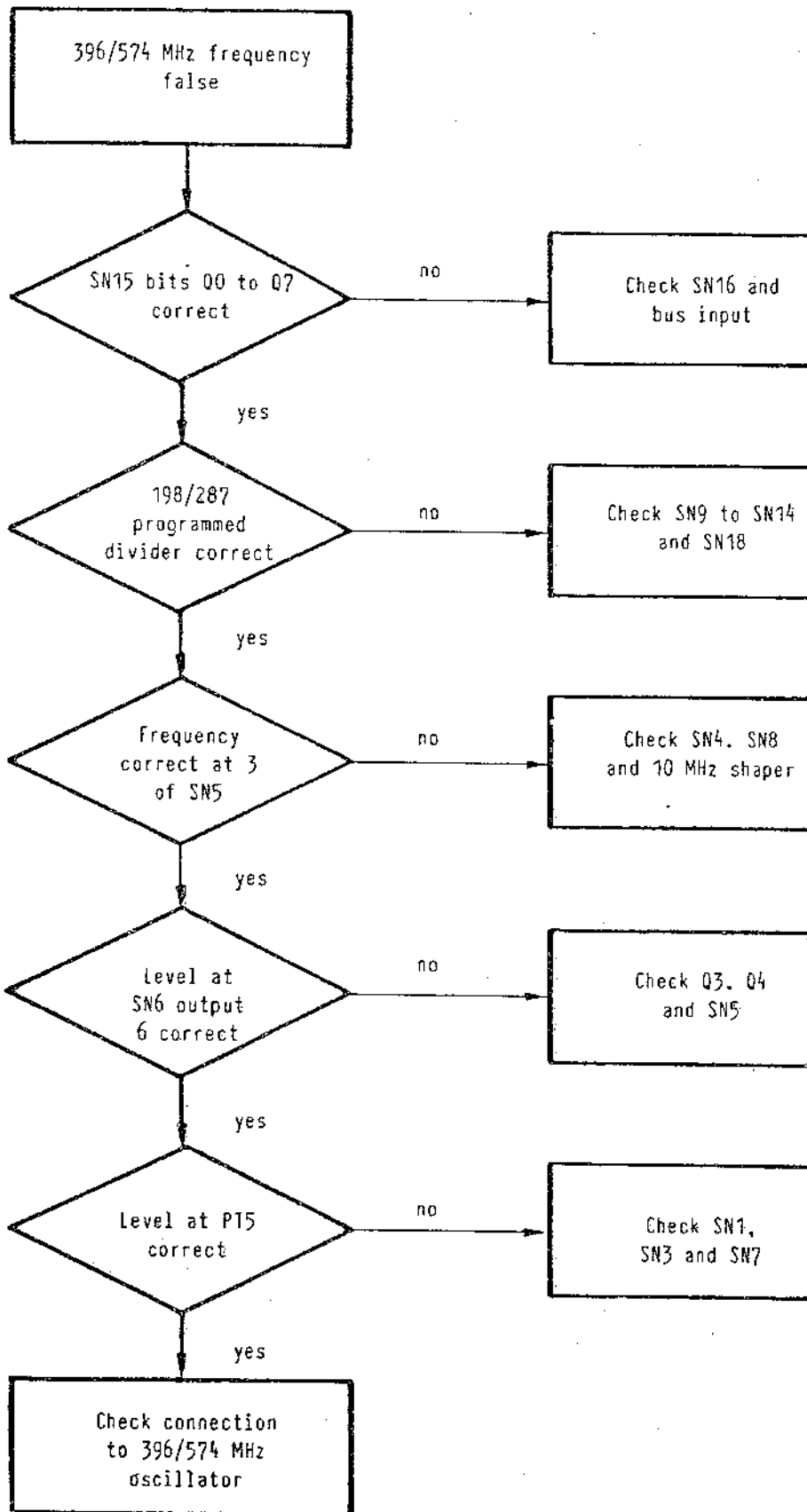
In order to result in correct tracking between the two oscillators, an amplifier with adjustable shift, SN19, is inserted into the output to the 400/580 MHz approach ; adjustments are made at 1 and 179 MHz.

SYNOPTIQUE





Flowchart



## 2 MHz STEPS BOARD

The 2 MHz Steps board performs the following :

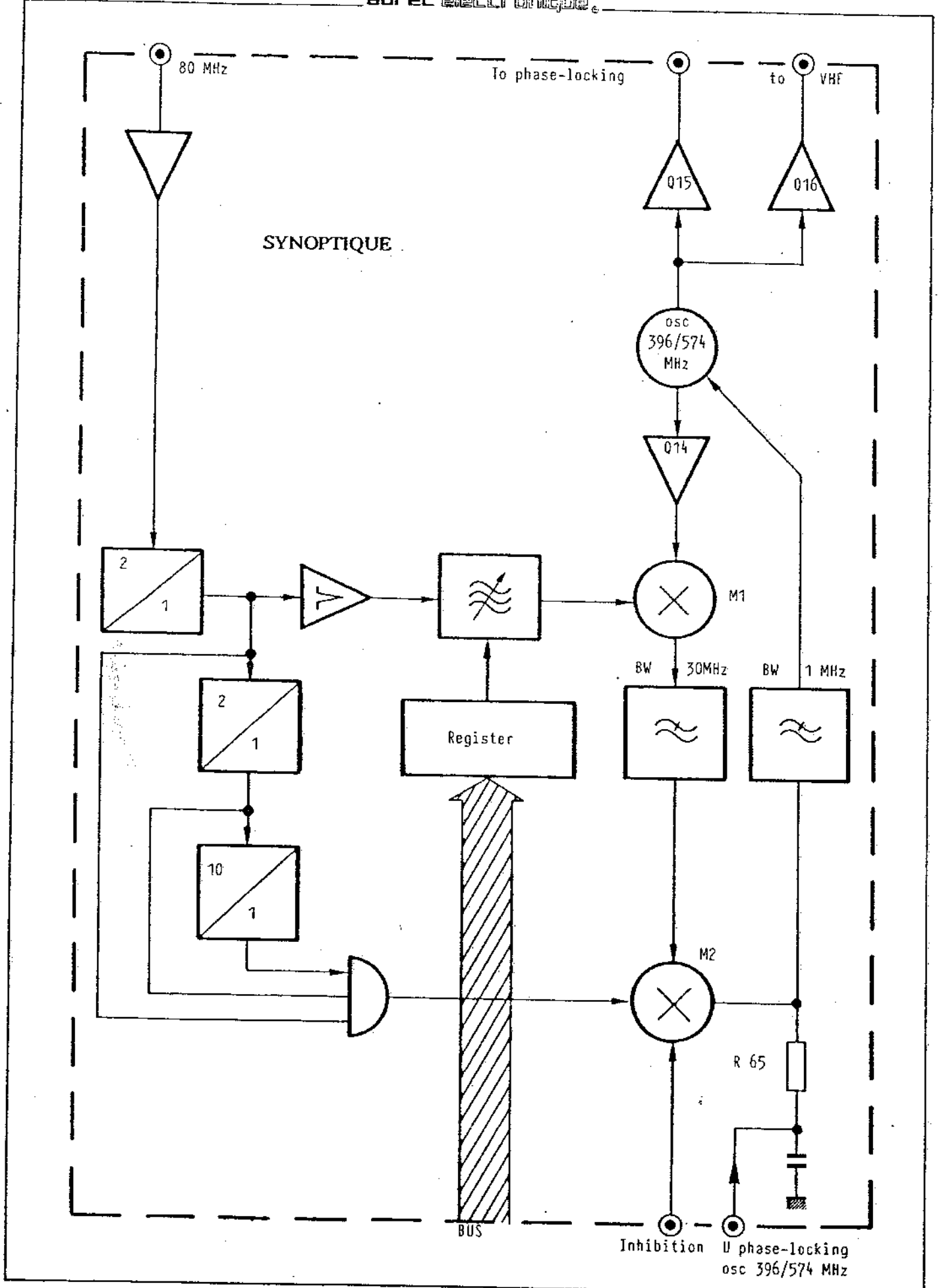
- \* generation of 90 steps of 2 MHz between 396 MHz and 574 MHz, and
- \* positioning of the final 400 to 580 MHz oscillator on a multiple of 2 MHz, selected in function of frequency coding.

A frequency comparison device continuously checks the equality between the frequency displayed and the frequency of the 396 to 574 MHz oscillator. This device is made up of a double sampler.

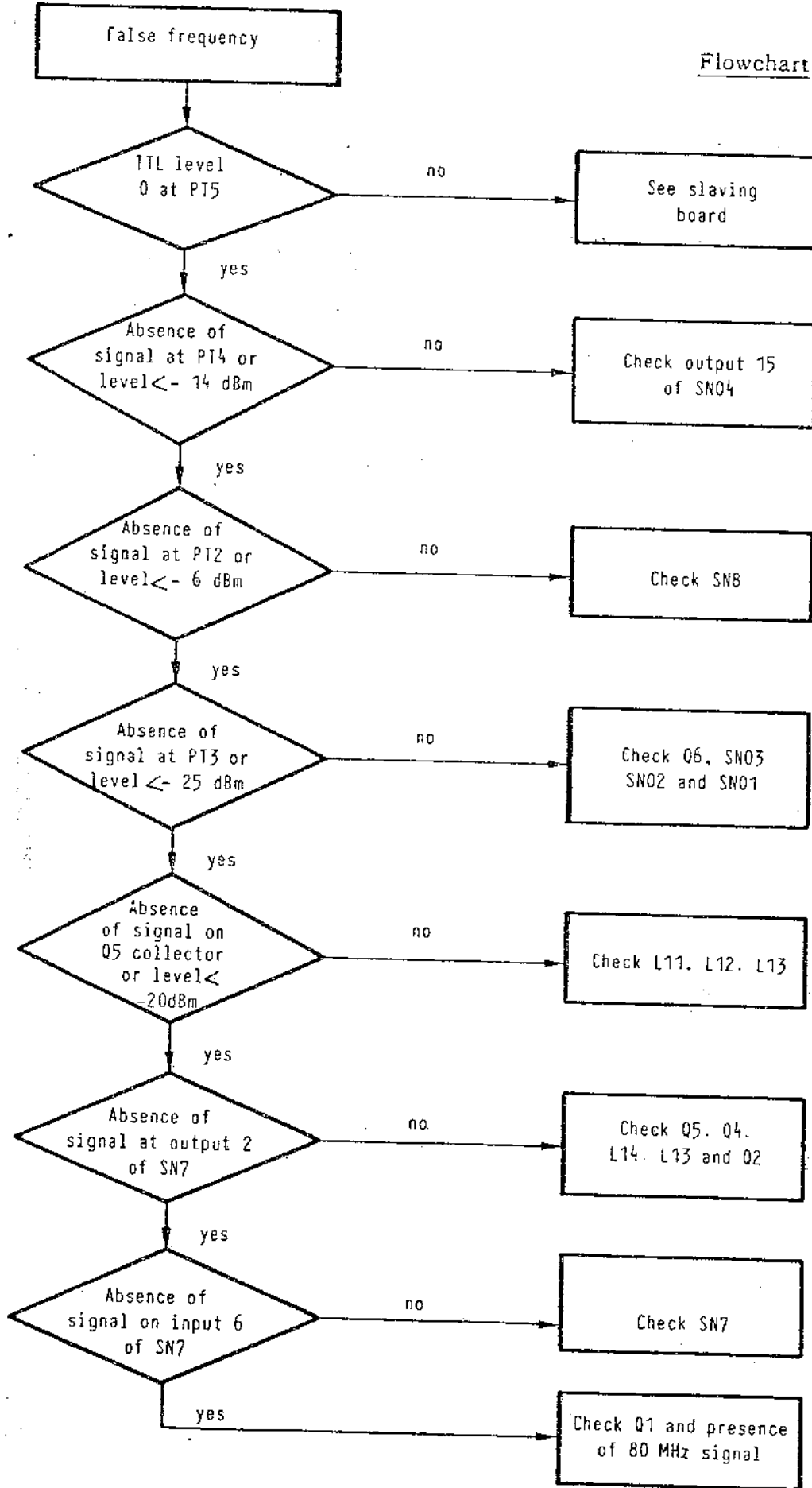
For the first sampler a comb of five discreet frequencies (400, 440, 480, 520 and 560 MHz) is generated from an 80 MHz reference signal. These five frequencies are automatically selected by a register in function of output frequency coding and are mixed in M1 with the frequency from the 396 to 574 MHz oscillator in order to always result in an output multiple of 2 MHz for this latter (which may range up to 10 times 2 MHz).

The frequency thus generated is then compared in a second sampler, M2, to a 2 MHz pulse obtained by dividing the 80 MHz reference signal by 40. A DC voltage is generated on the output of this sampler ; this voltage is proportional to the phase difference between these two frequencies, enabling finely tuned phase-locking of the 396 to 574 MHz oscillator. If a new code change occurs, this voltage is temporarily blocked for 2 ms and a phase-locking voltage output by the phase-lock oscillator board prepositions the oscillator via R65.

At the end of this period, this voltage is blocked and the "fine" phase-loop is switched in. The frequency is delivered to the outside of the board by two separator stages, Q15 and Q16, in order to drive the phase-lock oscillator board and the VHF Module, and to the outside via Q14 to drive modulator M1.



Flowchart



## MODULATIONS BOARD

This board generates the modulation functions used in the 730.

In FM and  $\phi$ M modes, an 80 MHz oscillator slaved with a low bandwidth is substituted for the 80 MHz master oscillator. FM and  $\phi$ M modulation is carried out on this oscillator. Operation of the 80 MHz oscillator is enabled by bits  $\overline{FM}$ ,  $\overline{FM}/10$  and  $\phi\overline{M}$ , which additionally ensure inhibition of 80 MHz master oscillator amplifier A1.

In FM mode, the 80 MHz frequency is divided by 8 in D1 (SN11) and then by 500 in D2 (SN12 and SN13) in order to be compared to the 20 kHz reference signal resulting from division of the 10 MHz master oscillator frequency by 500 in D3 (SN4 and SN6). There is a DC voltage proportional to the variation in 80 MHz oscillator frequency on the output of CPF1 (SN14 and SN15) and FL1 (1/2 SN10). Amplifier A5 (1/2 SN10) incorporates the audio-frequency signal in the slaving loop and, additionally, enables regulation of gain and sets the phase to 40 Hz. Current amplifier A6 slaves the oscillator via switch C1 (SN8), whose control is linked to the control of CPF1.

In  $\phi$ M mode, the 80 MHz frequency is divided by 8 in D1 and by 4 in D4 (SN1) in order to be compared to the 2.5 MHz reference signal resulting from division of the 10 MHz master oscillator frequency by 4 (SN3). There is a DC voltage proportional to the variation in 80 MHz oscillator phase on the output of M1 and FL2. Amplifier A8 (SN5) incorporates the audio-frequency signal into the slaving loop and, additionally, enables regulation of  $\phi$ M gain. Semi-integrator amplifier A7 enables oscillator slaving via switch C1.

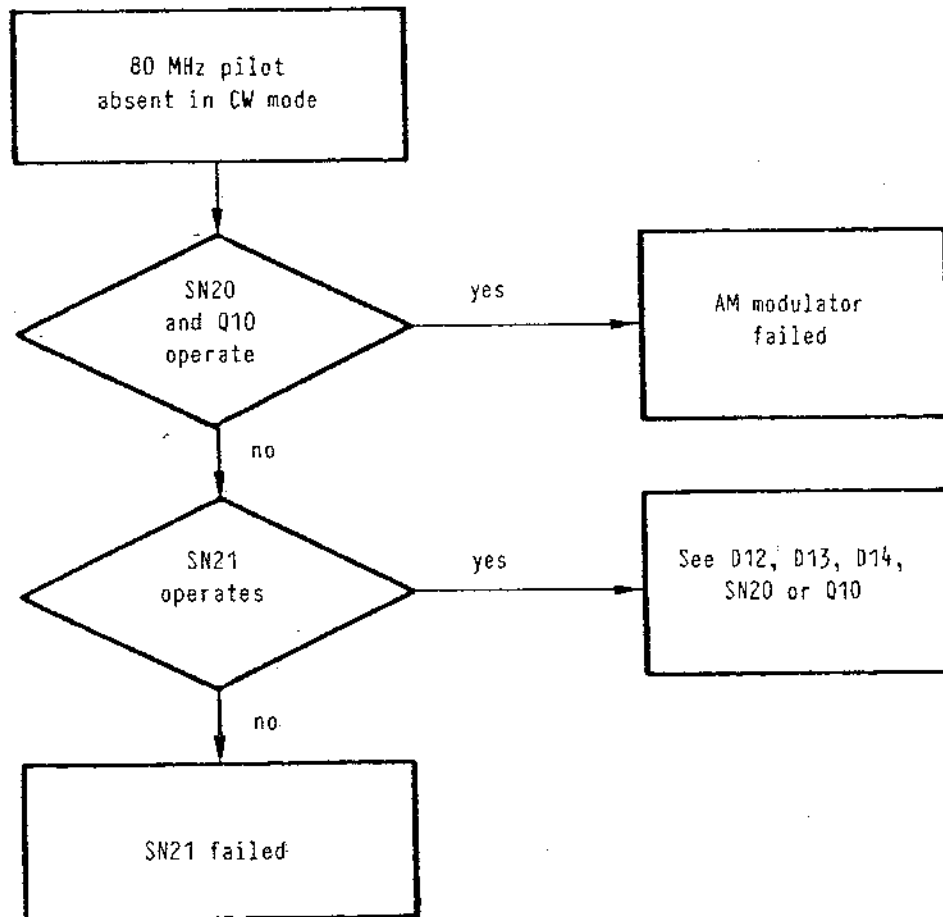
In AM mode, dividers D2, D4 and D5 are blocked, as well as CPF1 and O1. Mode switch CM1 (SN16 and SN17) switches the audio-frequency signal to amplifier A6 (1/2 SN19) which ensures regulation of AM gain. Downstream from this amplifier a comparison circuit continuously compares the audio-frequency signal with a reference voltage and the audio-frequency signal output from a detector located on the "400 MHz + 80 MHz" board. The result of this comparison modulates the transmitter current of modulator M2 by means of semi-integrator amplifier A9. There is an 80 MHz frequency, which is amplitude-modulated to the rhythm of the audio-frequency signal, available on the output of M2.

A control circuit (SN24 and SN21), which receives this data by a bus from the CPU, ensures all of the various board functions and inhibitions in combination with the control logic from SN22 and SN23.

Finally, in CW mode, all modulation functions are blocked. The 80 MHz master oscillator signal transits only by amplifier A1 and modulator M2. The modulation current from this latter is fixed at a mean value of that existing to have 100% AM. In addition, input of the 10 MHz reference signal is blocked in F1, which cancels out the 20 kHz frequency necessary to the internal audio-frequency signal. This frequency is thus blocked in external audio-frequency operation.

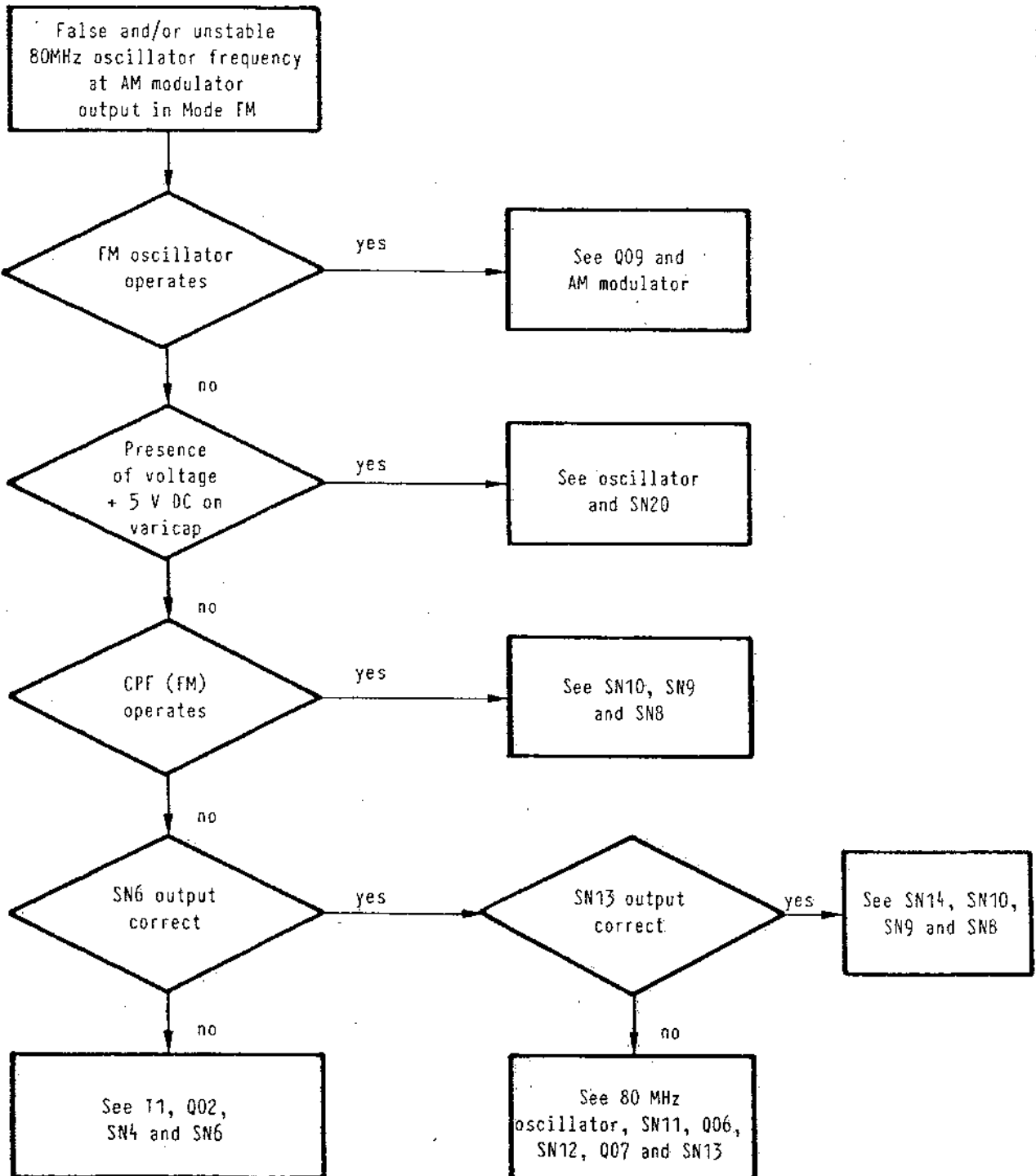


CW Mode

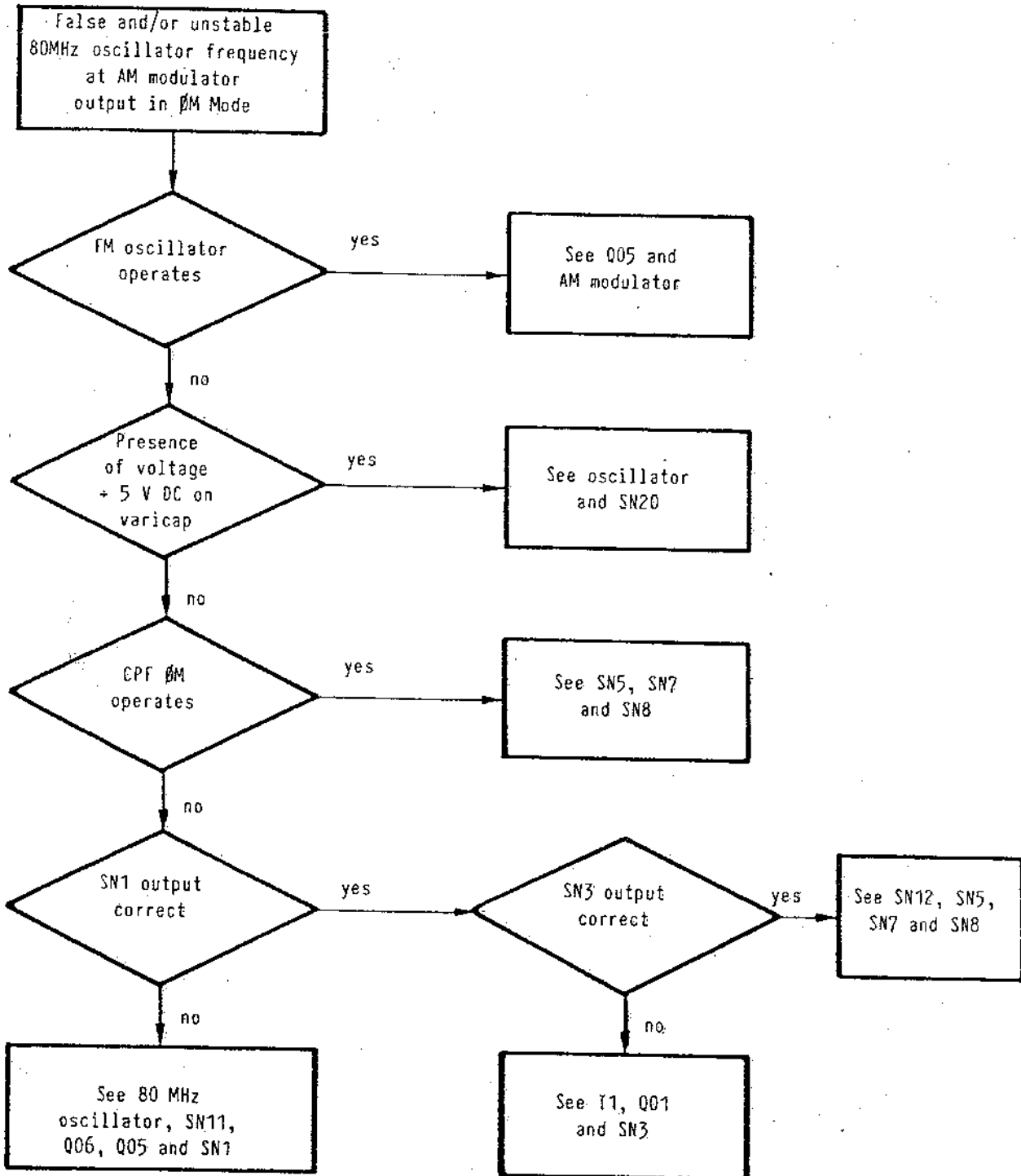




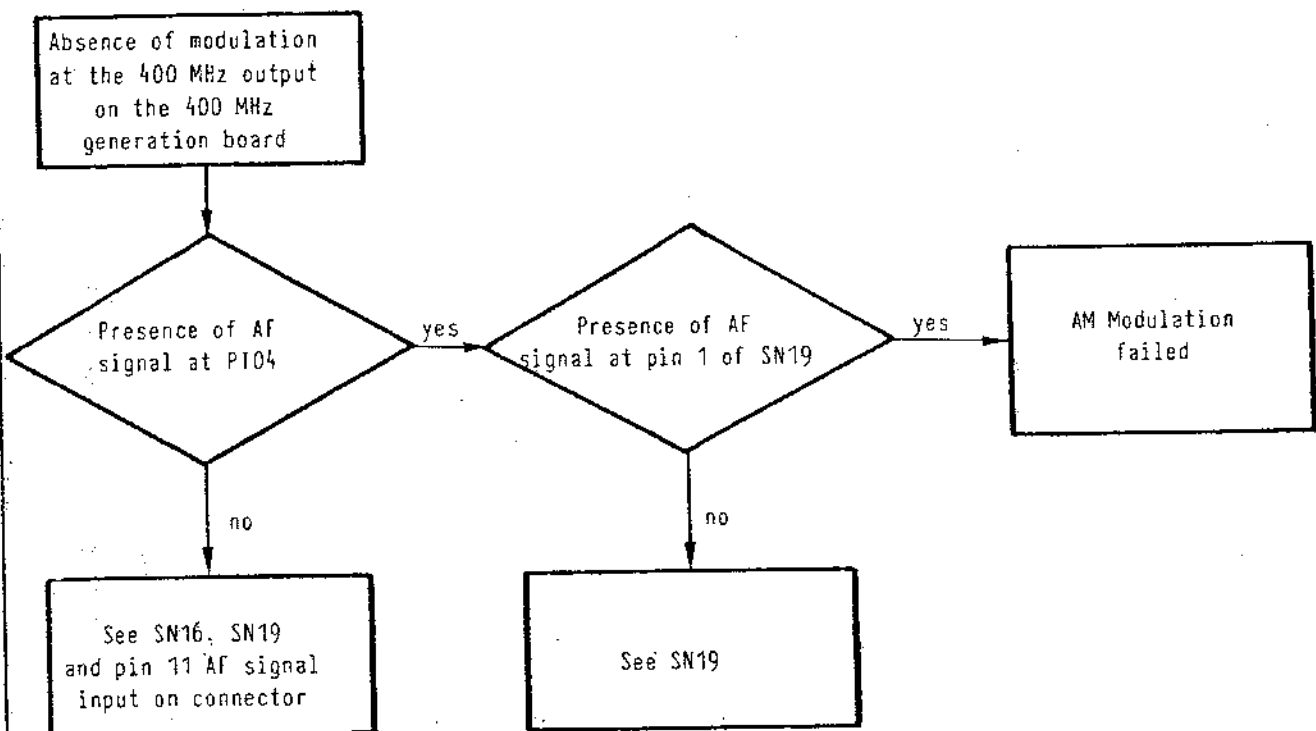
FM Mode



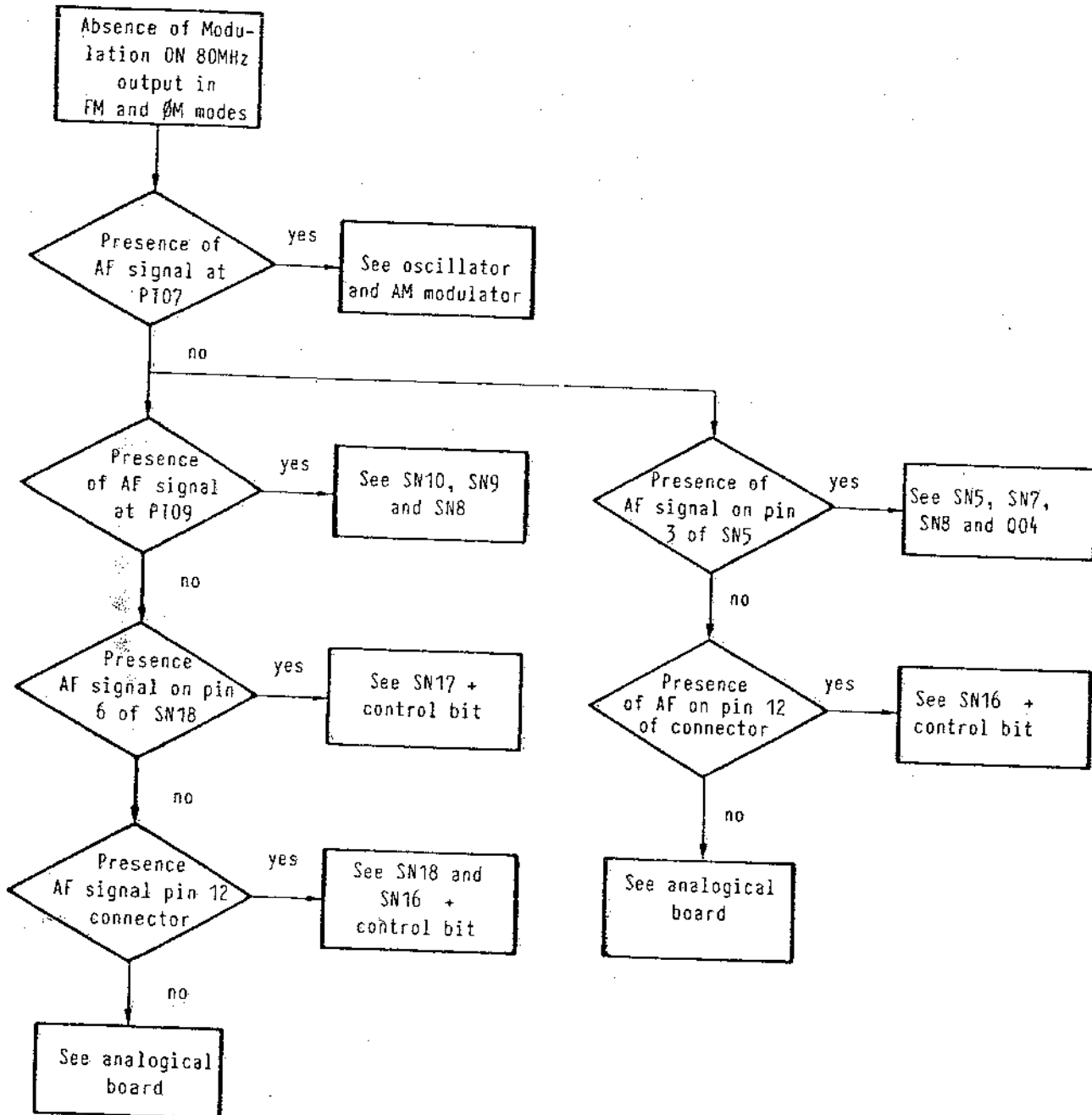
FM Mode



AM Mode



Step from LF  
in FM and AM Mode



## ANALOG BOARD

The analog board performs three independent functions :

- \* control of the output damper,
- \* control of analog damping,
- \* generation of two internal audio-frequency signals and control of modulation rates.

The output damper is controlled as described in this paragraph. A command from the CPU board is transferred by a bus to register SN3 which delivers a logic state of "1" on its output when the relays corresponding to the desired damping level are to be excited. This "1" logic state blocks the first PNP transistor, resulting in saturation of the second PNP transistor, and applies approximately - 14 V to the coil of the corresponding relay. Control is obtained in such a way that damping is freed when the relay is excited in order to always have maximum damping if no control is present.

Analog damping is controlled as described in this paragraph. A command from the CPU board is transferred by a bus to a DAC Log  $2^{\frac{1}{2}}$  Digits, SN4, which features on its output a DC voltage proportional to the input coding ; this DC voltage also has a superimposed audio-frequency signal in the case of AM modulation. Analog variation extends over a dynamic of 14 dB for an output signal of between + 19.9 dBm and + 6.1 dBm. Following, the analog dynamic is not greater than 4 dB and ranges from 6.1 dB to + 10 dB, with the remainder effected by the output damper.

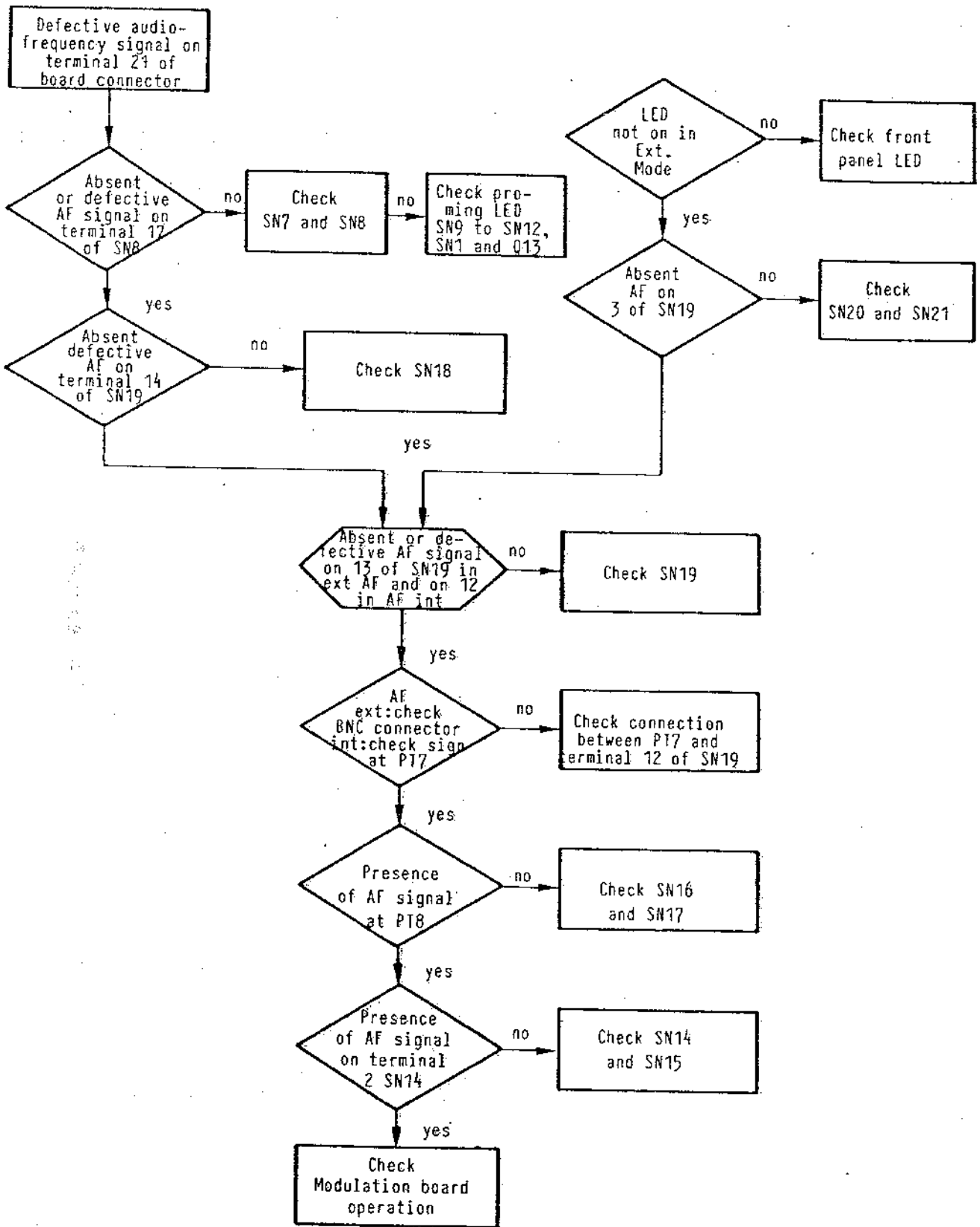
The two internal audio-frequency signals are generated as follows :

- \* A 20 kHz audio-frequency signal with TTL level output by the Modulations board is divided either by 20 or 50 by D1 to result in an output frequency of 1 kHz or 400 Hz. This frequency is then filtered by active filter FL1.
- \* During internal operation the audio-frequency signal thus generated is output via A1 over the BNC connector and by means of switch C1, and is sent to amplifier A2 which switches it through detector D1 and over the audio-frequency DAC. Upon output from the DAC the level of the audio-frequency signal is a function of programming of the rate or of the deviation in the various modulation modes.

In external audio-frequency operation, divider D1 and filter FL1 are blocked. The audio-frequency signal is injected on the BNC and is input directly to C1 either in a capacitive link, or in a direct link according to the mode selected. Next, the signal is processed the same as for internal audio-frequency operation with the following exception : instead of being switched to ground, the signal output from DT1 is sent to amplifier A3 which displays the excess or lack of amplitude in this external audio-frequency signal by means of two LED's located on the P.A.

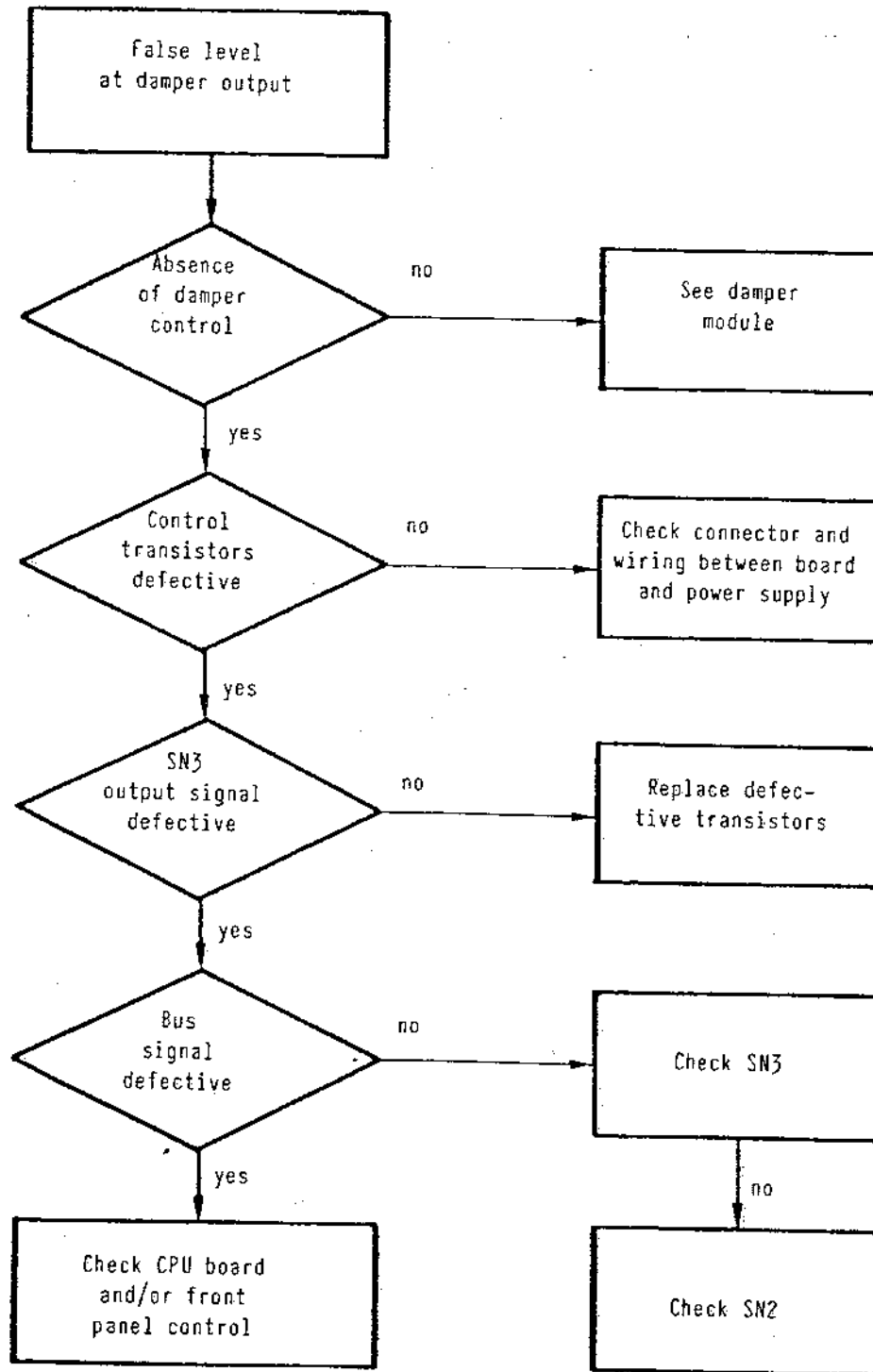


Modulations control flowchart

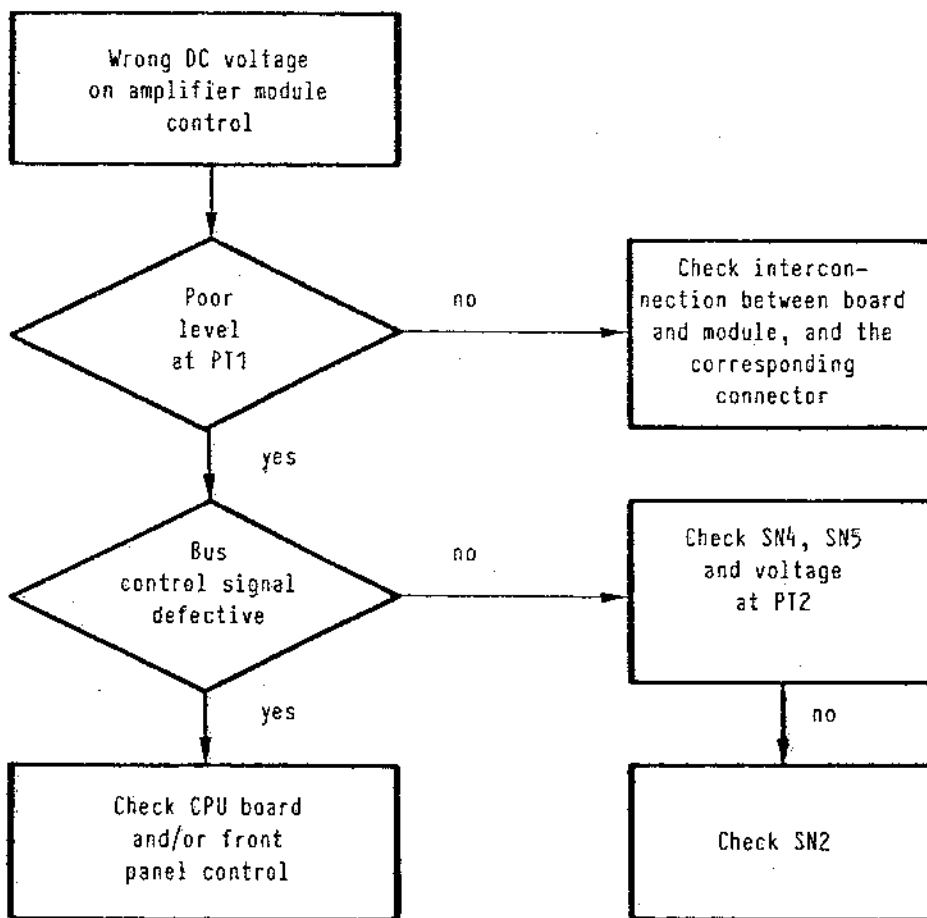




Flowchart in level operating  
Attenuator control



Flowchart in level operating  
Analogue control



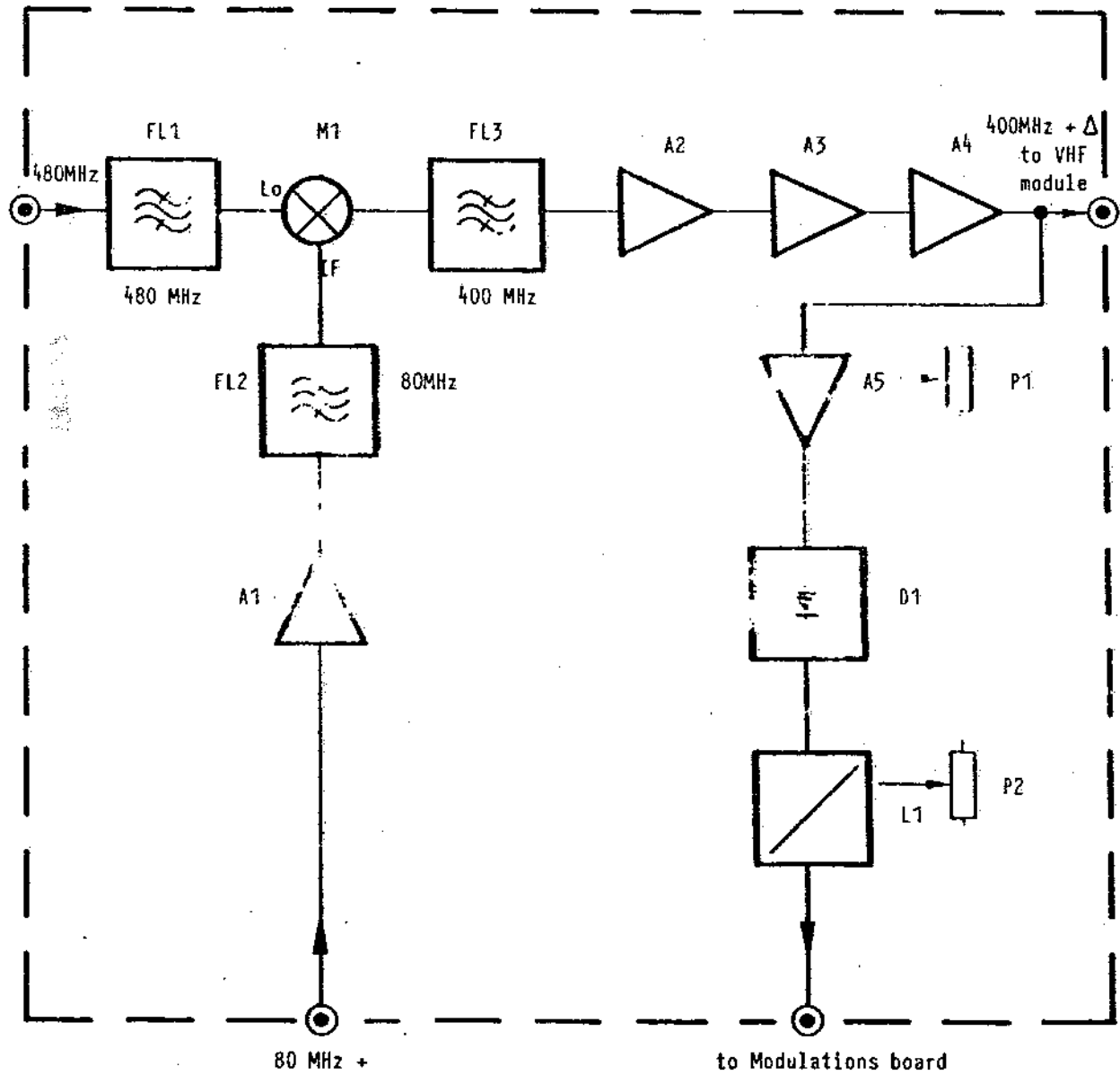
## 400 MHz GENERATION BOARD

This board generates the 400 MHz frequency necessary for heterodyning in the VHF module in order to obtain the output frequency for the 730 and detect and linearize AM modulation.

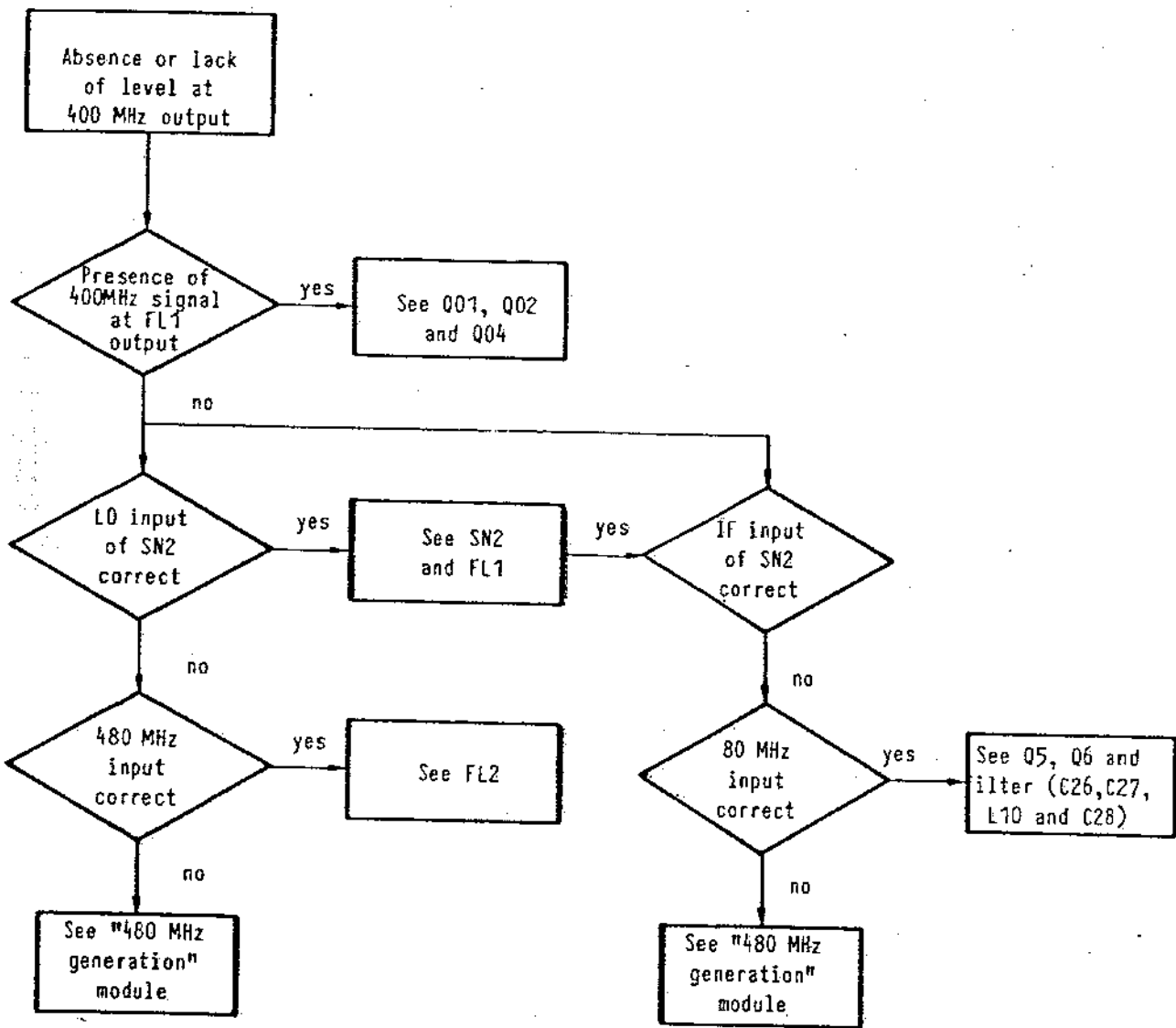
Filter FL1, whose design is the same as that used in the 480 MHz rack, filters the 480 MHz frequency with two additional poles in order that this signal may be applied over the switched M1 channel with a minimum of 400 MHz and 560 MHz components. The 80 MHz frequency is input over the linear channel ; this frequency features two modulations, and is amplified in A1 and filtered by FL2 in order to have a minimum of harmonic distortion on the input of M1.

Mixer M1 works as a subtractor in order to select the 400 MHz frequency. This latter is filtered by FL3 and amplified by amplifiers A2, A3 and A4 ; each amplifier supplies gain of approximately 9 to 10 dB. The output level of the 400 MHz signal is between + 9 and + 12 dBm into 50 ohms. The AM loop which is offset from the 400 MHz output includes an gain amplifier 1 with linearity regulation, a detector and a linearizing circuit featuring adjustment P2 used to reduce the distortion rate for high AM modulation rates. A signal of approximately 0.9 V DC is available on the output of L1 in the absence of AM modulation.

SYNOPTIQUE



Flowchart



## VHF MODULE

This module generates the output frequency of the 730 by heterodyning and controls output level.

It is made up of five sections :

- \* Mixing of small increments and slaving of the 400 to 580 MHz oscillator,
- \* A 400 to 580 MHz oscillator,
- \* Level control and filtering of the 400 MHz heterodyning frequency,
- \* Amplification of the 400 to 580 MHz frequency and an output mixer,
- \* Final amplification and detection.

The 400 to 580 MHz oscillator features design identical to that located on the 2 MHz step board, with frequency coverage from 396 MHz to 574 MHz so that the two oscillators may follow each other with a few MHz maximum of offset, a condition necessary to operation. This oscillator features three outputs represented by three separators, S1, S2 and S3.

Separator S2 switches the frequency towards amplifier A7 which yields a level of approximately + 10 dBm on the linear channel of the switched channel of mixer M1. Separator S3 inputs the 396/574 MHz frequency with a level of approximately 0 dBm.

The M1 output is filtered in FL1, a low-pass filter of approximately 40 MHz. The output frequency of this filter varies from 4 to 6 MHz and is compared in frequency phase comparator CPF1 to the 4 to 6 MHz frequency available on the output of the "Two Hundreds" board and featuring two million steps to Hz resolution.

On the output of A1 there is available a DC voltage proportional to this frequency variable from 4 to 6 MHz, which is selected on the front panel by the first six digits. This voltage "finely" slaves the 400 MHz to 580 MHz oscillator which also receives an approach voltage on the same point enabling it to be prepositioned on the value of the 2 MHz steps also selected on the equipment front panel.

Filter F5 rejects slaving signals exceeding - 70 dB on the output of CPF1. Separator S1 makes available a 400 to 580 MHz frequency on the equipment rear panel.

Separator S3 delivers the frequency to amplifier A2, whose gain is approximately 20 dB, a level necessary to drive the switched channel of heterodyning mixer M2. This mixer receives a fixed frequency of 400 MHz over its linear channel ; this frequency includes the modulations. The level of this fixed frequency is variable within a range of 14 dB, with a maximum of approximately 0 dB for a maximum output level on the 730 of + 19.9 dBm.

Filter FL2, which is very narrow, rejects frequencies other than the 400 MHz signal beyond - 70 dB.

On the output of M2, filter FL3 makes an initial cutoff of intermodulation outside the band. This filter is followed by preamplifier A3 whose low frequency is less than 300 Hz, filter FL4 which dynamically eliminates all undesirable frequencies above 190 MHz, and power amplifier A4. This latter features totally symmetrical design in order to obtain the best possible distortion rate.

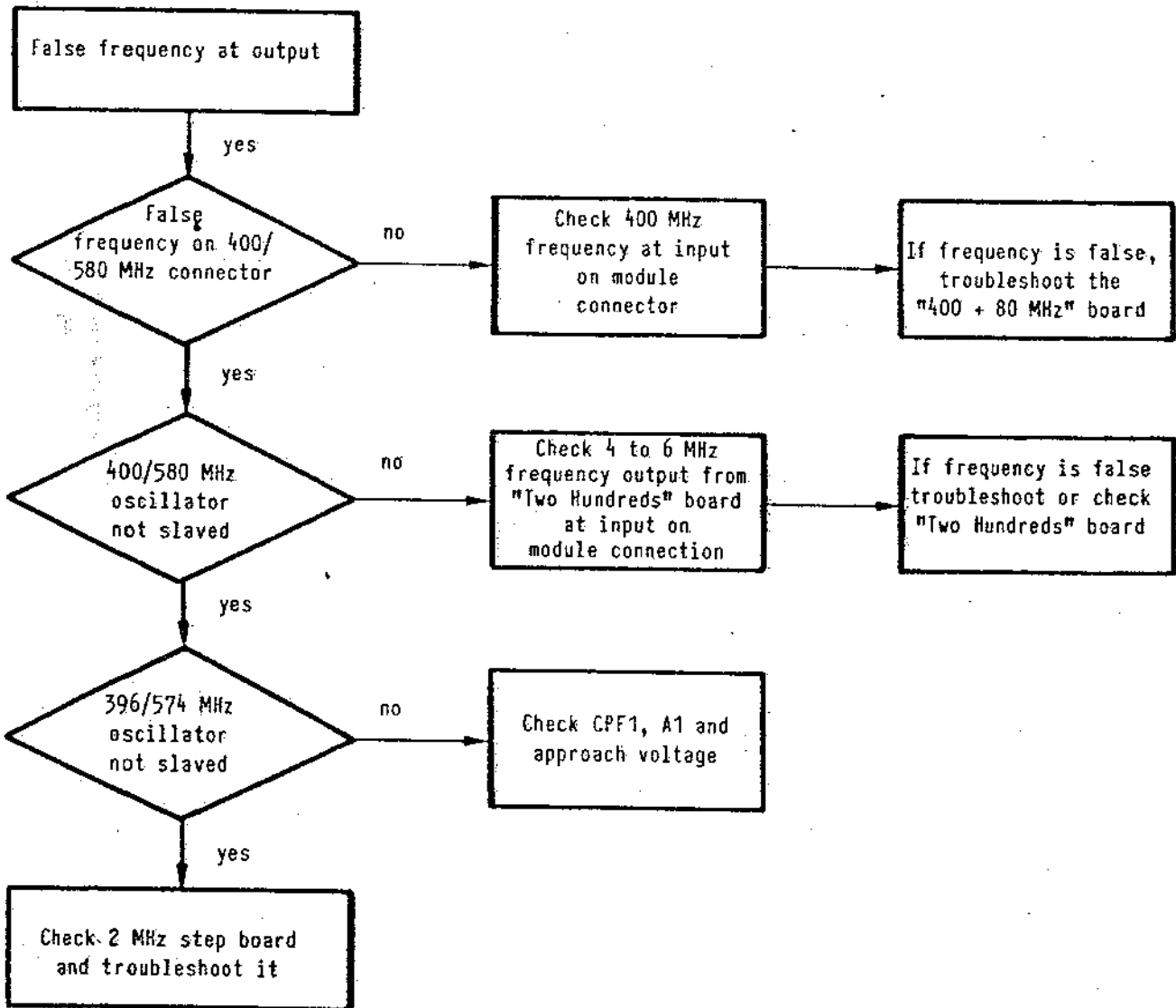
Principal level at output may reach +19.9 dBm into a matched 50 ohms load. An auxiliary output makes available the frequency on the equipment rear panel with variable level up to 0 dBm into a high-impedance load.

Finally, detector D1 maintains output level as constant as possible in function of the frequency by means of A5 and C1. Output signal amplitude varies in a dynamic of 14 dB under the output + 19.9 dBm in function of the instructed value provided by the level reference. This variation occurs in A6 (variation by PIN diodes) on the input level of the 400 MHz frequency.

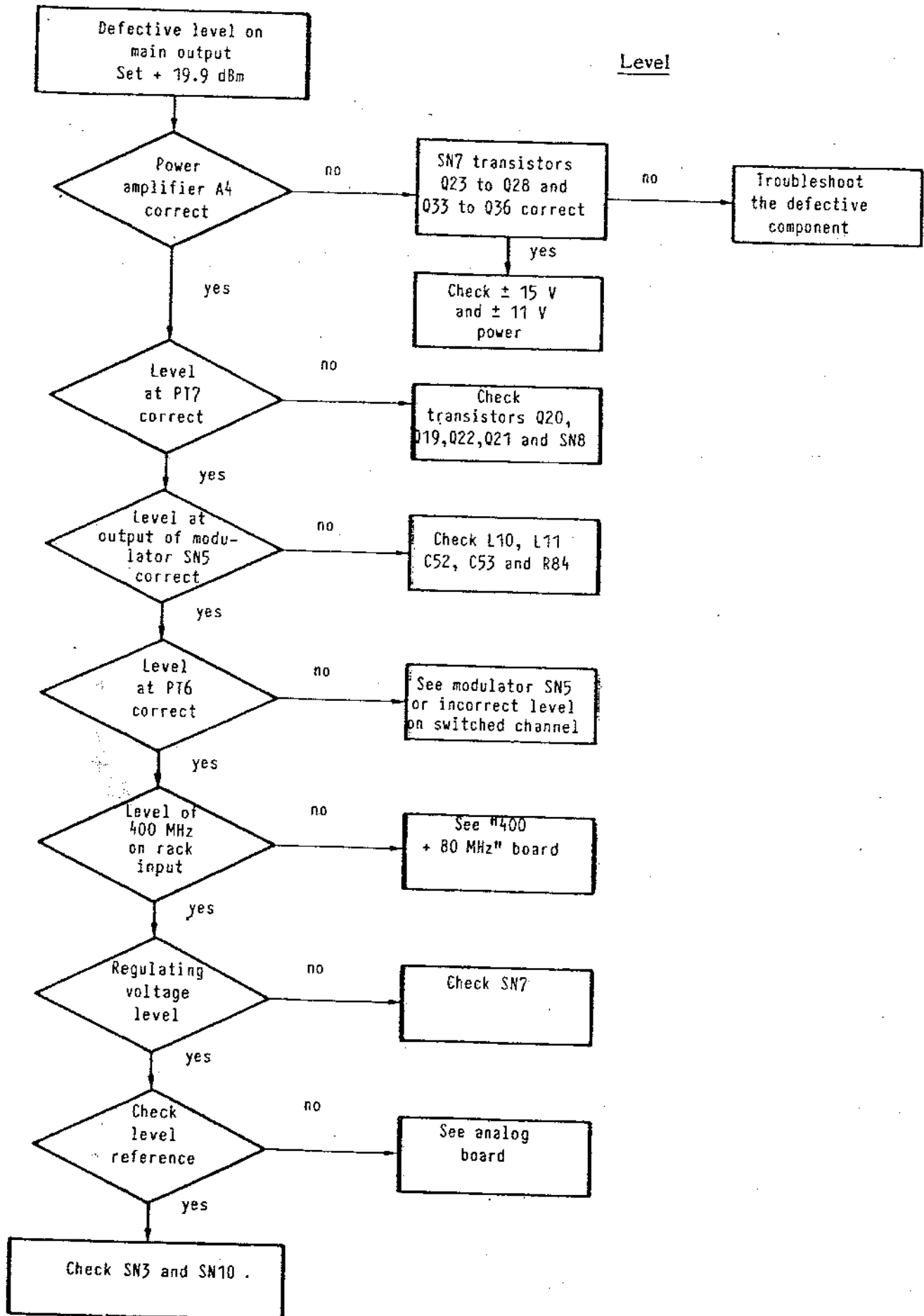




Frequency



Level



## ATTENUATOR ASSEMBLY

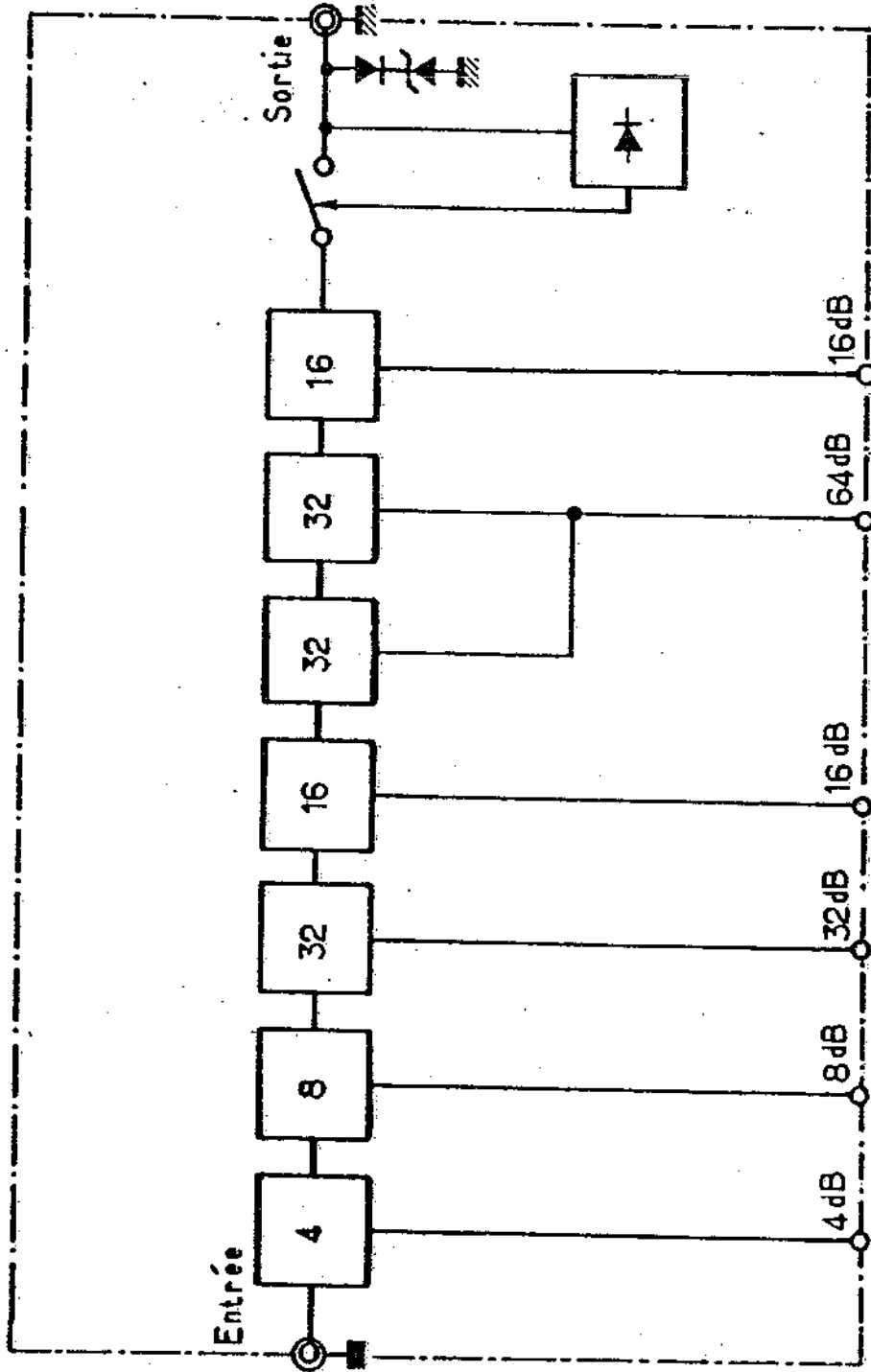
The damper module features seven damping cells controlled by 15 V power.

|        |   |                   |
|--------|---|-------------------|
| 0 V    | = | Damping           |
| - 15 V | = | Direct throughput |

The output breaker operates in two stages :

- 1) It provides instant protection by limiting (diode and zener).
- 2) Cutoff by a relay controlled by a threshold detector.

SYNOPTIQUE



**480 MHz GENERATION MODULE**

This module generates certain time-base frequencies necessary to 730 operation.

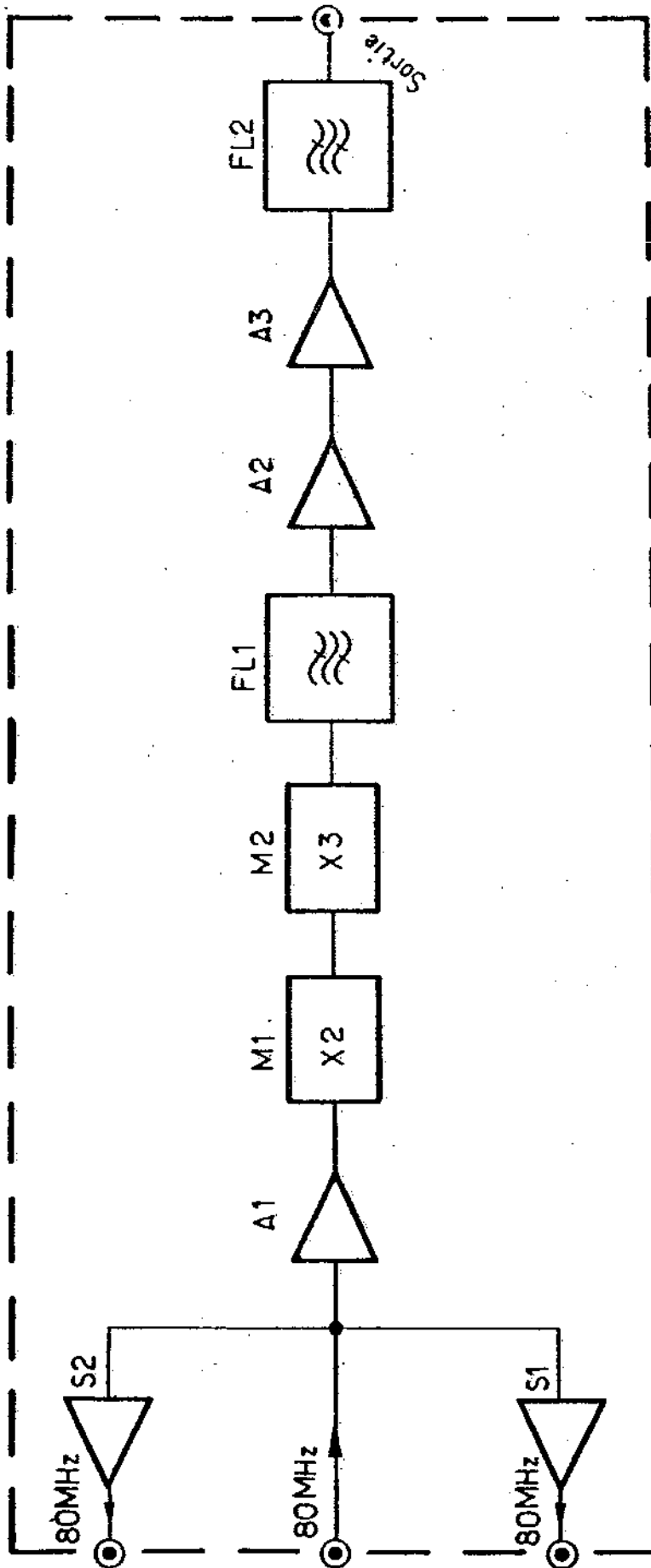
These frequencies are the following :

- \* 80 MHz, used in the Modulations board,
- \* 80 MHz, used in the 2 MHz Steps board,
- \* 480 MHz, used in the "400 MHz + 80 MHz" board.

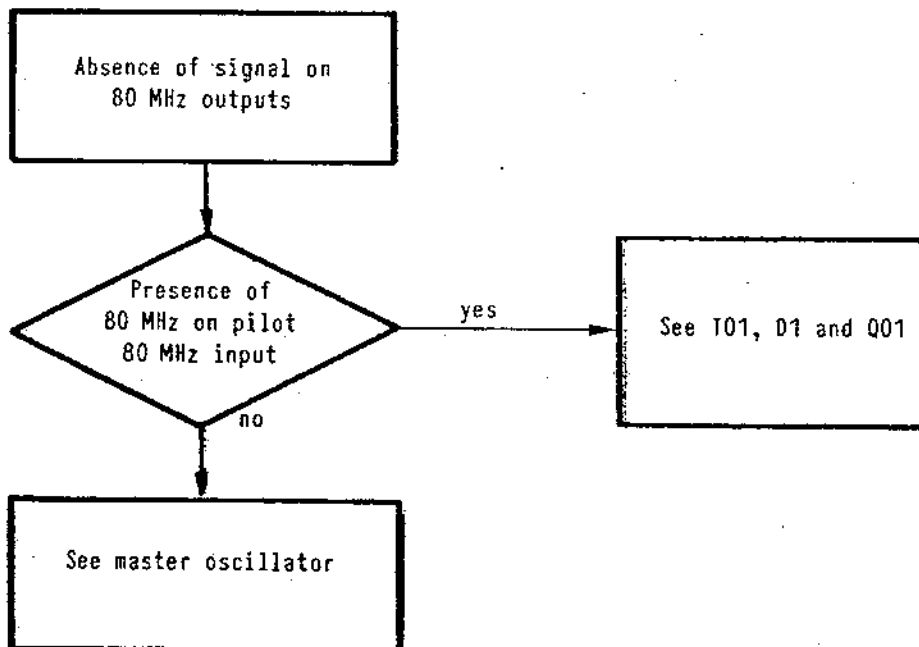
The 80 MHz frequencies result from separation in an 80 MHz transformer output by the quartz oscillator.

The 480 MHz frequency results from multiplication by 2 in M1 and multiplication by 3 in M2. This latter circuit is composed of a transistor operating in class C with a circuit tuned to 480 MHz in its collector. This circuit is followed by a filter which damps the 400 MHz frequency by 30 dB. Two cascade amplifiers, A2 and A3, supply gain of approximately 19 dB. Filter FL2 eliminates the 400 MHz signal at approximately - 70 dB at the module output.

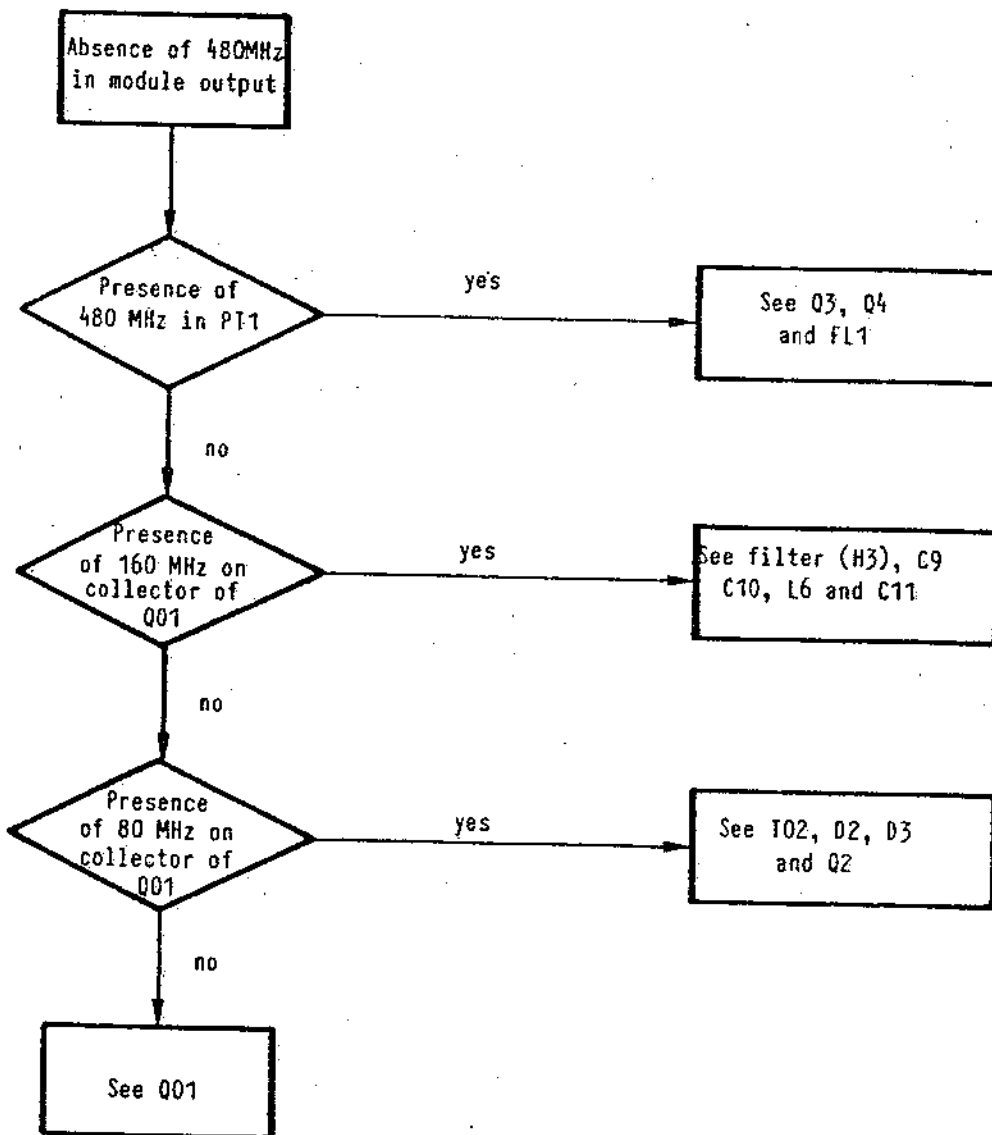
SYNOPTIQUE



Flowchart 1



Flowchart 2





## Garantie et Assistance - Warranty and Assistance

Ce produit ADRET ELECTRONIQUE est garanti pour une durée d'un an à compter de la date de livraison.

La garantie s'applique aux appareils ayant subi des dommages mécaniques causés lors de l'expédition en partance de ADRET ELECTRONIQUE ou présentant, à la suite de défaillance d'un élément ou d'un sous-ensemble, des caractéristiques non conformes aux spécifications techniques. Sont toutefois exclus de la garantie les dommages occasionnés par une utilisation anormale de l'instrument.

Le client s'engage, pour sa part, à ne pas intervenir sur le produit pendant la période de garantie sous peine de la perdre définitivement. Le retour et la réexpédition de l'appareil lors d'une opération de maintenance sous garantie sont pris en charge pour moitié par ADRET ELECTRONIQUE.

Passé le délai de garantie, la Société reste bien entendu au service de ses clients en leur offrant son concours pour toutes éventuelles opérations de maintenance.

Pour tous renseignements complémentaires, veuillez contacter votre représentant ADRET le plus proche, les coordonnées de nos principaux agents étant données dans le tableau ci-dessous.

The ADRET ELECTRONIQUE product is guaranteed for a period of one year from the date of delivery.

The warranty applies to equipment with mechanical damage sustained during shipping from ADRET ELECTRONIQUE, or failing to conform to the technical specification due to faulty components of sub-assemblies. The warranty does not cover damage caused by incorrect use of the instrument.

The client for his part undertakes not to interfere with the equipment during the warranty period, failing which the warranty is rendered void. One half of the cost of returning and re-shipping the equipment for maintenance under warranty will be met by ADRET ELECTRONIQUE.

After expiry of the warranty period, the Company will of course remain at the service of its customers and will offer its help to them for any maintenance work that may be necessary.

For any further information, please contact your nearest ADRET representative. The addresses of our main agents are given in the table below.

## Réseau commercial ADRET - ADRET commercial network

### FRANCE

**Société BASCOUL ELECTRONIQUE**  
31200 TOULOUSE - 35, rue du lûchet  
Tél : 61 48 99 29 - Télèx : 521 508  
33600 BORDEAUX PESSAC - 76 Avenue Pasteur  
Tél : 56 45 01 90 - Télèx : 541 720

**Société DIMEL Immeuble "Le Marino"**  
83000 TOULON - Avenue Claude Farrère  
Tél : 94 41 49 63 - Télèx 430 093

**JCF ELECTRONIQUE**  
74019 ANNECY CEDEX - Ancey le Vieux - BP 964  
Tél : 50 23 63 64 - Télèx : 385 417

**Société SOREDIA**  
"Les Guittais" - Charillon sur Seiche  
35015 RENNES CEDEX - BP 1413  
Tél : 99 50 50 29 - Télèx : 950 359

### AFRIQUE DU SUD - SOUTH AFRICA

**K.B.A. INSTRUMENTATION PTY**  
P O BOX 41062 - Avenue Sandton 2199  
CRAIGHALL TRANSVAAL 2024  
Tél : (11) 788 1700/05 - Télèx : 422 033

### ALLEMAGNE - GERMANY

**S.P.E.A. GmbH - Schützenweg 62**  
D 6305 GROSSEN BUSECK  
Tél : (64) 08 2081 Code 299 - Télèx : 484 296

### ARGENTINE - ARGENTINA

**RAYO ELECTRONICA**  
1092 BUENOS AIRES - Belgrano 990  
Tél : (01) 381779 - Télèx : 22153

AUSTRALIE - AUSTRALIA

**VICOM INTERNATIONAL PTY**  
57 City Road - South Melbourne  
VICTORIA 3205  
Tél : (03) 626 931 - Télex : 36935  
Telefax : (61) 3622325

AUTRICHE et EUROPE DE L'EST - EAST EUROPE

**S.P.E.A. GES.m.b.H.** Stifrgasse 27  
A 1100 WIEN - Tél : (222) 62 61 41  
Telex : 116 084

BELGIQUE et LUXEMBOURG - Belgium and Luxembourg

**SAIT ELECTRONICS**  
B 1190 BRUXELLES - 66 Chaussée de Ruisbroek  
Tél : (02) 376 20 30 Code 280 - Télex : 61807

BRESIL - BRAZIL

**GRADIENTE ELECTRONICA LTDA**  
Staub Agency Division - Rua Sorocaba 316  
CEP 22271 BOFAFOGO - RIO DE JANEIRO  
Tél : (21) 286 8722 - Télex : 21 21131

CANADA

**AIM ELECTRONICS INC**  
376 Churchill Avenue - Suite 108  
OTTAWA - ONTARIO K1Z 5C3  
Tél : (613) 7228286 Code 284  
(514) 3322762 (Montréal) - Télex : 534862

DANEMARK - DENMARK

**METRIC A.S.**  
Skodsborgvej 305 - D. K. 2850 - NAERUM  
Tél : (02) 80 4200 Code 285 - Télex : 37163

ESPAGNE - SPAIN

**TELCO**  
Gravina 27 - MADRID  
Tél : (01) 231 71 01 Code 279 - Télex : 27348

ETATS-UNIS - UNITED STATES

**COMSTRON CORP**  
10 Hub Drive - MELVILLE - NEW YORK 11747  
Tél : (516) 756 1100  
Télex : 4973525  
Telefax : (516) 756 1167

FINLANDE - FINLAND

**ORBIS OY**  
Sorolantie 16 - P O BOX 15 - 00421 HELSINKI 42  
Tél : (358) 05664066 Code 283 - Télex : 123134

GRANDE-BRETAGNE - GREAT BRITAIN

**RACAL DANA**  
Duke Street - WINDSOR BERKS SL4 1SB  
Tél : (75) 38 68 101 Code 274 - Télex : 847013

GRECE - GREECE

**SCIENTIFIC ENTERPRISES C.O.**  
45, Agion Saranta St - 18 346 ATHENES  
Tél : (1) 482 34 21 - Télex : 221770

HONG KONG

**I N F A**  
19 Austin Road - TSIMSHATSUI, KOWLOON - HONG KONG  
Tél : (852) 5 7211151 - Télex : 54016

INDE - INDIA

**HINDUSTAN INSTRUMENTS LTD**  
603 Vishal Bhavan - 95 Nehru Place  
NEW DELHI 110 019  
Tél : (11) 6410529 - Télex : 31 61209

ITALIE

**I.P. INSTRUMENTS**  
Paolo Pallia 5 - 20139 MILANO  
Tél : (02) 5392440 Code 277 - Télex : 315085

KOWEIT - MOYEN ORIENT

**ABDUL AZIZ YOUSUF ESSA et CO WLL**  
P O BOX 3562 - SAFAT  
Télex : 23576

NORVEGE - NORWAY

**TERCO A.S.**  
P O BOX 98 - N 1540 VESTBY  
Tél : (02) 951000 Code 287 - Télex : 74464

NOUVELLE ZELANDE - NEW ZEALAND

**NEECO**  
17 Adelaido Road - P O BOX 9749  
NEWTOWN WELLINGTON  
Tel : (64) 4858689 - Telex : NX 3582  
Telefax : (64) 4850510

PAYS-BAS - NETHERLAND

**CN ROOD BV**  
11.13. Corr V.D Lindenstraat - P O BOX 42  
2280 RIJSWIJK  
Tél : (70) 996 360 Code 281 - Télex 31238

PORTUGAL

**RUALDO LDA**  
9 - 15 Rua de San Jose - 1198 LISBOA CODEX  
Tél : (01) 373461 Code 286 - Télex : 16447

REP. POPULAIRE DE CHINE - CHINA

**COMPAGNIE OLIVIER**  
Peking Hôtel - Gui Bin Shi n°3 - BEIJING  
Télex : 22375

SINGAPOUR - SINGAPORE

**COSMOTEC ENTERPRISES LTD**  
70 Bendemeer Road - Hiap Huat House 05-04  
SINGAPOUR 1233  
Tél : (65) 2967766 - Télex 36992

SUEDE - SWEDEN

**SAVEN AB**  
Nytorspsvagen 30 - P O BOX 504 - S 18325 TABY  
Tél : 87921100 Code 282 - Télex : 12986

SUISSE - SWITZERLAND

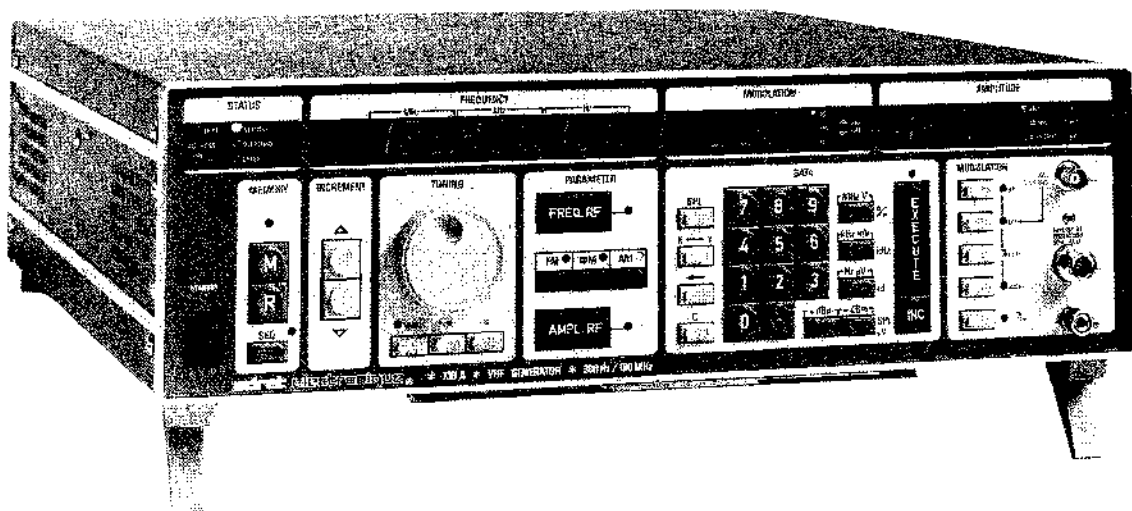
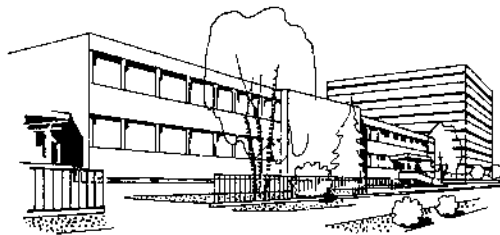
**AMOTEC ELECTRONIC AG**  
Rofeluhstraße 38 - 8702 ZÖLLIKON  
Tél : (01) 3915630 - Télex : 816906  
Telefax : (01) 3915633

TAIWAN

**CATHAY ENTERPRISE CO Ltd**  
P O BOX 1778 - 102 Thun hua Road - TAITAI  
Tél : (886) 7310558 - Télex : 22392  
Telefax : (886) 7732227



**ADRET**ELECTRONIQUE®



**GENERATEUR VHF**  
**300 Hz/180 MHz**  
modulable AM, FM et  $\phi$ M

**UTILISATION**

**730 A**

**ADRET**ELECTRONIQUE®

12, avenue Vladimir Komarov • BP 33 78192 Trappes Cedex • France • Tél. 051.29.72  
Téléfax 051.00.74 • Télex ADREL.697821F • Siret 679805077 - 00014 • CCP Paris 21 797 04 •

## CHAPITRE I

### PRESENTATION DE L'INSTRUMENT

Le générateur synthétiseur 730 est un instrument très évolué dans lequel sont mis à profit les derniers progrès des techniques de synthèse, de fréquence et de gestion par microprocesseur.

Ainsi il a été possible de réaliser un générateur dont les performances permettent de résoudre la majeure partie des problèmes qui se posent aux utilisateurs, tout en leur procurant une souplesse d'utilisation exceptionnelle.

La fréquence RF, couvrant la gamme 300 Hz à 180 MHz est obtenue par un synthétiseur de fréquence au pas de 1 Hz, référencé à un pilote à quartz qui lui confère à la fois stabilité, précision et pureté spectrale.

Les circuits de sortie et de modulation ont été étudiés de manière à satisfaire les exigences des mesures en radio-communication avec modulation d'amplitude, de fréquence, de phase, atténuateur de précision et protection électronique de la sortie. En option, un module, Modulation de fréquence continue est disponible.

La grande souplesse d'utilisation est due au microprocesseur qui gère les commandes du panneau avant, et permet la programmation intégrale de toutes ces commandes par le BUS IEEE 488.

Une innovation remarquable dans ce type de matériel est apportée par une commande "EXECUTE", qui constitue un avantage essentiel sur ce type de matériel en ce qu'elle permet :

- \* La préparation d'une configuration nouvelle sans interrompre un programme en cours,
- \* Test d'un programme complet avant son introduction en mémoire,
- \* Le passage d'une configuration à une autre sans configuration intermédiaire parasite ou indésirable.

Les nombreux autres perfectionnements dont est doté le 730 :

- \* Entrée de tous les paramètres de fonctionnement par clavier numérique et roue codeuse au choix de l'utilisateur,
- \* Mise en mémoire non volatile de 40 configurations complètes simplifiant énormément les tâches de routines sur bancs de tests,
- \* Affichage très lumineux et largement dimensionné permettant une lecture aisée quelles que soient les conditions de luminosité ambiante, sont autant d'atouts qui lui confèrent souplesse et agrément d'utilisation, en faisant ainsi un appareil d'avant garde.

Enfin, la grande capacité en mémoire morte de l'appareil a permis d'intégrer certaines fonctions spéciales ou annexes étendant encore ses possibilités avec une large réserve pour permettre l'introduction ultérieure de nouvelles fonctions qui toujours assureront au générateur 730 une avance appréciable sur ses concurrents.

Les options actuellement disponibles pour les 730 sont :

- \* Option 01 : Oscillateur haute stabilité,
- \* Option 02 : Carte modulation FM continue,
- \* Option 03 : Radio-émission.

## TABLES DES MATIERES

|  | PAGE   |
|--|--------|
| CHAPITRE I : PRESENTATION DE L'INSTRUMENT.....       | I-1    |
| CHAPITRE II : CARACTERISTIQUES TECHNIQUES.....       | II-1   |
| CHAPITRE III : UTILISATION.....                      | III-1  |
| 1. MISE EN SERVICE.....                              | III-1  |
| 2. DESCRIPTION.....                                  | III-3  |
| 3. MANIPULATION DU CLAVIER.....                      | III-4  |
| - mode opératoire.....                               | III-4  |
| - programmation de la fréquence et<br>du niveau..... | III-6  |
| - programmation des modulations.....                 | III-7  |
| - incrémentation.....                                | III-8  |
| - manivelle.....                                     | III-8  |
| - mémoires et séquence.....                          | III-9  |
| - caractéristiques particulières du clavier.         | III-11 |
| - fonctions spéciales.....                           | III-11 |
| - status.....  | III-12 |
| - dépassement.....                                   | III-12 |
| - entrée erronée.....                                | III-12 |
| - planche panneau avant et arrière.....              | III-14 |
| 4. EXECUTION DES MESURES.....                        | III-15 |
| - sortie RF :  |        |
| inhibition.....                                      | III-15 |
| protection.....                                      | III-15 |
| mesures à très bas niveau.....                       | III-15 |
| sortie RF auxiliaire.....                            | III-15 |
| sortie décalée 400/580 MHz.....                      | III-15 |
| - modulations :                                      |        |
| commutation des sources.....                         | III-16 |
| calibration.....                                     | III-16 |
| - asservissement du pilote.....                      | III-16 |

|             |   |   |        |
|-------------|---|---|--------|
|             |   | 5. UTILISATION DU BUS IEEE 488.....                     | III-17 |
|             |   | - principe.....   | III-17 |
|             |   | - raccordement au Bus, adressage.....                   | III-17 |
|             |   | - programmation des modes "local"<br>et "distance"..... | III-18 |
|             |   | - constitution des messages.....                        | III-19 |
|             |   | - programmation de la fréquence RF.....                 | III-19 |
|             |   | - programmation du niveau de sortie.....                | III-20 |
|             |   | - programmation de l'inhibition RF.....                 | III-20 |
|             |   | - programmation des modulations.....                    | III-20 |
|             |   | - programmation des mémoires.....                       | III-21 |
|             |   | - programmation des séquences.....                      | III-22 |
|             |   | - programmation des erreurs.....                        | III-22 |
| CHAPITRE IV | : | PRINCIPE DE FONCTIONNEMENT.....                         | IV-1   |
|             |   | - principe général.....                                 | IV-1   |
|             |   | - exemple.....  | IV-2   |
|             |   | - synoptique.....                                       | IV-3   |
|             |   | - Explication du synoptique.....                        | IV-5   |
| CHAPITRE V  | : | CALIBRATION.....  | V-1    |
|             |   | - fiche de calibration.....                             | V-4    |



## CHAPITRE II

## CARACTERISTIQUES TECHNIQUES

GAMME DE FREQUENCE

- \* Bande : 300 Hz à 180 MHz
- Hors spécification : 20 Hz à 180 MHz

RESOLUTION DE FREQUENCE : 1 Hz

STABILITE DE FREQUENCE (mesurée à  $25^{\circ} \pm 1^{\circ}\text{C}$ )

- Standard .  $1.10^{-7}$  sur 3 mois
  - . Temps de stabilisation : < 5 mn
  - . Coefficient de température : <  $5.10^{-8}^{\circ}\text{C}$
- Option 01 .  $5.10^{-9}$  par jour, après 24 heures de fonctionnement
- Asservissement
  - . signal extérieur : 1, 2, 5 ou 10 MHz
  - . niveau : 200 mV à 1  $V_{\text{eff}}/50 \Omega$
  - . asservissement sur tension continue :  $\pm 5$  Volts pour  $\pm 5.10^{-7}$
- Sortie pilote : 10 MHz, 0,5  $V_{\text{eff}}/50 \Omega$  environ

NIVEAU DE SORTIE

- \* Réglage entre 300 Hz et 180 MHz : + 19,9 dBm à -129,9dBm/50  $\Omega$
- Hors spécification entre 300 Hz et 120 MHz : + 22,9 dBm à - 129 dBm/50 $\Omega$
- \* Résolution : 10 dB, 1 dB et 0,1 dB
  
- \* Réponse amplitude/fréquence (mesurée à 0 dBm) :  $\pm 0,5$  dB (typique  $\pm 0,3$  dB)
  
- \* Précision de l'atténuateur (à fréquence constante)
- Pas de 1 dB**
- Niveau  $\geq + 6,1$  dBm :  $\pm 0,2$  dB
- Niveau  $< + 6,1$  dBm :  $\pm 0,2$  dB + ( $\pm 0,05$  dB/dB)
  
- Pas de 10 dB**
- . Fréquence comprise entre 1 kHz et 1 MHz :  $\pm 0,3$  dB + ( $\pm 0,01$  dB/dB)
- . Fréquence comprise entre 1 MHz et 180 MHz :  $\pm 0,4$  dB + ( $\pm 0,01$  dB/dB)
  
- \* Affichage : numérique en Volts, mV,  $\mu$ V, dBm ou dB/ $\mu$ V
  
- \* R.O.S. :  $< 1,25$
  
- \* Précision de la calibration :  $\pm 0,2$  dB, effectuée à 0 dBm et 30 MHz
  
- \* Protection de la sortie : automatique jusqu'à 50 W
- \* Sortie auxiliaire (sur le panneau arrière) : +5 à -9 dBm/50  $\Omega$  env.
- \* Sortie 400/580 MHz (FI) : 0 dBm  $\pm 4$  dB

PURETE SPECTRALE MESUREE A 0 dBm, EN CW

- \* Composantes harmoniques
- F = 300 Hz à 10 kHz :  $< - 35$  dB (Typ : - 40 dB)
- F = 10 kHz à 10 MHz :  $< - 50$  dB (typ : - 55 dB)
- F = 10 MHz à 180 MHz :  $< - 40$  dB (typ : - 45 dB)
  
- \* Composantes non harmoniques
- Raies secteur 50 ou 60 Hz :  $< - 50$  dBc
- Raies parasites :
- distance de la porteuse  $< 300$  Hz :  $< - 60$  dBc
- distance de la porteuse  $> 300$  Hz :  $< - 70$  dBc
  
- . Résiduelle AM, norme CCITT 300 Hz à 3 kHz :  $< - 90$  dB
  
- . Rapport signal à bruit de phase, mesuré dans une bande de 1Hz, à 79MHz, 0dBm

| distance de la porteuse | Rapport signal sur bruit          |                  |
|-------------------------|-----------------------------------|------------------|
|                         | pilote $10^{-9}$                  | pilote $10^{-7}$ |
| * 1Hz                   | (*) Valeur obtenue : (*) - 45 dBc | -                |
| * 10 Hz                 | par le calcul : (*) - 75 dBc      | -                |
| * 100 Hz                | : - 100 dBc                       | - 85 dBc         |
| * 1 kHz                 | : - 110 dBc                       | - 110 dBc        |
| * 20 kHz                | : - 120 dBc                       | - 120 dBc        |
| * 1 MHz                 | : - 135 dBc                       | - 135 dBc        |
| * $\geq 2$ MHz          | : - 140 dBc                       | - 140 dBc        |

**Nota :** Entre 0 et + 13 dBm, le niveau du plancher de bruit diminue pour atteindre 6 dB de mieux à + 13 dBm.

- . Résiduelle FM, norme CCITT 300 Hz à 3 kHz : < 1 Hz
- . Rayonnement parasite, normes MIL STD 461A, VDE 0871 : < 1  $\mu$ V (0,5  $\mu$ V typique)

## MODULATION

Comme la fréquence et le niveau de sortie, les modulations AM, FM et  $\Phi$ M sont réglables par la roue codeuse, le clavier ou les incréments définis par l'utilisateur.

Les performances annoncées ci-dessous sont mesurées pour un niveau de sortie de 0 dBm.

- \* Sources de modulation
  - internes : 400 et 1000 Hz avec la stabilité du pilote à quartz
  - externe : 0,5  $V_{eff}/600 \Omega$
  - Calibration par deux LEDES avec une précision :  $\geq \pm 2\%$
  - Entrée continue externe : 0,707V pic ou  $\approx/600\Omega$
- \* Sélecteur de modulation : 400 Hz, 1000 Hz, Externe, OFF

## MODULATION D'AMPLITUDE (spécial 69)

- \* Affichage du taux AM : 0 à 99,9 %
- \* Entrée signal extérieur :  $\approx$  et  $\sim$
- \* Résolution d'affichage : 0,1 %
- \* Bande passante, référée à 1 kHz
  - à  $\pm 0,5$  dB (typique :  $\pm 0,25$ dB) : 0 ou 20 Hz à 10 kHz
  - à - 1 dB (typique : - 0,6 dB) : 0 ou 10 Hz à 20 kHz
  - à - 3 dB : 0 ou 4 Hz à 200kHz
- \* Précision de calibration
  - F = 30 MHz, taux 10 à 90% : > 2 %
- \* Distorsion de la courbe enveloppe
  - BF externe 1 kHz et taux 80% : < 0,5% (typique : 0,3%)
  - BF interne 400 Hz et 1 kHz et externe de 20 Hz à 20 kHz
    - taux AM de 10 à 85% : < 1,25%
    - taux AM de 85 à 95% : < 1,75%
- \* Modulation de phase résiduelle
  - Taux AM = 30% : < 0,2 rd (typique : 0,1 rd)

MODULATION DE FREQUENCE

Le 730 A comporte 2 modulateurs de fréquence.

L'un, à couplage alternatif, est destiné aux modulations radio VHF ou UHF à faible déviation, ou radiodiffusion à grande déviation, mono ou stéréo.

Le deuxième, à couplage continu, est destiné aux applications qui requièrent :

- la wobulation avec des signaux à faible récurrence,
- l'asservissement de la fréquence de sortie sur une tension continue provenant d'une boucle extérieure de phase ou de fréquence,
- la modulation par signaux carrés, FSK par exemple.

L'appareil est équipé en standard du premier modulateur, le deuxième est livré en option.

**- à entrée alternative**

- \* Déviation : 0 à 200 kHz
- \* Résolution : 10 Hz pour  $\Delta F < 20$  kHz  
: 100 Hz pour  $\Delta F > 20$  kHz
- \* Bande passante, référée à 1 kHz  
à  $\pm 0,3$  dB : 40 Hz à 100 kHz  
à - 3 dB : 20 Hz à 200 kHz
- \* Précision de calibration : > 2%  
F = 30 MHz,  $\Delta F = 1$  à 200 kHz
- \* Distorsion harmonique,  $\Delta F = 75$  kHz  
400 Hz et 1000 Hz interne : < 1%  
1000 Hz externe avec filtre d'analyse 30 kHz : < 0,15%  
40 Hz à 20 kHz externe : < 0,5% (typique : 0,2%)  
40 Hz à 100 kHz externe : < 0,8% (typique : 0,4%)
- \* Rapport signal à bruit : < - 70 dBc (typique : -73dB)  
 $\Delta F = 75$  kHz, AF = 1 kHz  
filtre CCITT 300/3000Hz
- \* Distorsion + bruit : < 1%  
 $\Delta F = 2$  kHz, F = 79 MHz, AF = 1 à 5 kHz  
mesure dans filtre 300 Hz/15 kHz
- \* Rapport signal à bruit : > - 65 dB (typique - 70 dB)  
 $\Delta F = 2$  kHz, AF = 1 kHz  
filtre CCITT 300/3000Hz
- \* AM parasite en FM avec  $\Delta F = 75$  kHz et pour F > 1 MHz  
AF = 1 kHz ext : < 0,5%
- \* Résiduelle FM, en mode FM  
dans filtre 300/3000 Hz : < 3 Hz RMS  
dans filtre 50/3000 Hz : < 8 Hz RMS  
 $\Delta F = 0$ , F = 170 MHz

**- FM stéréo (option 03)**

- \* Distorsion harmonique en stéréo,  $\Delta F = 75$  kHz, filtre d'analyse de 30 kHz  
 $AF = 1$  kHz externe :  $\leq 0,15\%$
- \* Affaiblissement diaphonique en stéréo,  $\Delta F = 75$  kHz  
 $AF = 400$  Hz à  $8$  kHz :  $> -50$  dB  
 $AF = 40$  Hz à  $15$  kHz :  $> -38$  dB

**- à entrée continue (option 02) : spécial 79**

- \* Déviation :  $0$  à  $10$  kHz
- \* Résolution :  $10$  Hz
- \* Bande passante, référée à  $1$  kHz  
à  $\pm 0,5$  dB :  $0$  à  $10$  kHz
- \* Distorsion harmonique,  
 $\Delta F = 10$  kHz,  $AF = 1$  kHz,  $F = 170$  MHz :  $< 1\%$
- \* Rapport signal à bruit :  $> -60$  dB  
 $\Delta F = 2$  kHz,  $AF = 1$  kHz,  $F = 170$  MHz
- \* Sensibilité :  $0,707$  V/600 $\Omega$
- \* Dérive de fréquence :  $< 10$  Hz par heure après 3 h  
de validation de la fonction

MODULATION DE PHASE ( = spécial 78)

- \* Entrée == et  $\curvearrowright$
- \* Déviation            Entrée alternative :  $0$  à  $19,99$  rd  
: (pour  $AF = 10$  kHz)  
                          Entrée continue :  $0$  à  $19,99$  rd
- \* Résolution :  $0,01$  radian
- \* Précision de calibration :  $> 2\%$
- \* Bande passante     $\Delta\phi = 10$  rd :  $0$  à  $20$  kHz  
                           $\Delta\phi = 5$  rd :  $0$  à  $40$  kHz
- \* Distorsion harmonique :  $< 1\%$  (typique :  $0,5\%$ )  
 $F > 1$  MHz,  $\Delta\phi = 10$  rd,  $AF = 1$  kHz ext

INHIBITION

- \* du niveau RF : niveau résiduel environ 10nV
- \* des modulations : sans modification des  
valeurs affichées

MEMOIRES INTERNES

- \* Nombre :  $40$  configurations complètes
- \* Entrées/Sorties mémoire : manuellement, ou avec BUS
- \* Sauvegarde des mémoires : Batterie rechargeable,  
: autonomie 1 mois environ

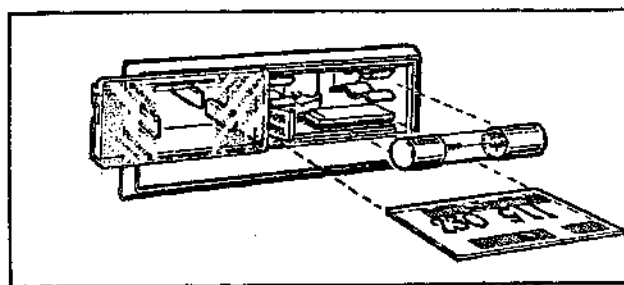


### RACCORDEMENT AUX RESEAUX

Le générateur 730 est conçu pour être alimenté à partir d'une tension secteur de  $115\text{ V} \pm 15\text{ V}$  ou  $230\text{ V} \pm 30\text{ V}$ .

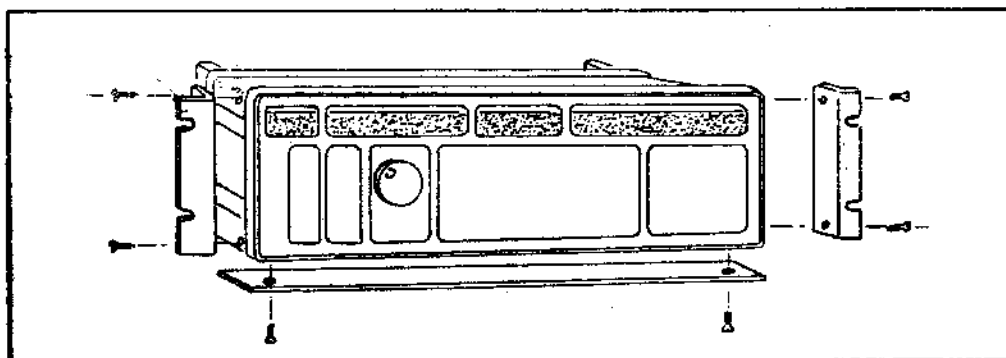
L'appareil livré est réglé pour fonctionner en 230 V. Dans ce cas d'utilisation sur un réseau 115 V, positionner le sélecteur de tension de manière à avoir l'indication 115 visible et lisible, le sélecteur étant en place.

Remplacer le fusible 1 A par un fusible 2 A.



### MONTAGE EN RACK 19 POUCES

Un kit d'adaptation 3U, livrable sur demande, permet d'incorporer le générateur dans un rack 19 pouces.



### III 2. DESCRIPTION

Le panneau avant comporte 4 blocs AFFICHAGE sur la partie supérieure :

- Status
- Fréquence
- Modulation
- Amplitude

ainsi que 6 blocs de FONCTION sur la partie inférieure :

- Mémoire
- Incrément
- Réglage
- Paramètre
- Données
- Modulation

L'interrupteur de mise en marche est situé en bas, à gauche, du panneau et permet la mise en attente du générateur, toutes les alimentations sont interrompues sauf celle du pilote thermostaté.

- \* Le bloc **PARAMETRE** appelle le paramètre à entrer ou à modifier.
- \* Le bloc **DONNEES** permet d'entrer les données du paramètre appelé, à l'aide du clavier numérique et des touches "unité".  
La touche **EXECUTE** provoque l'exécution de la (ou des) nouvelle(s) instruction(s). Avant l'action sur cette touche, l'instrument reste sur l'ancienne configuration.  
La touche **INCREMENT** permet d'entrer l'instruction sous forme d'incrément.
  - La touche "SPL" permet d'appeler une fonction spéciale.
  - La touche "X↔Y" permet de rappeler temporairement (2 secondes) la configuration en sortie d'instrument pendant l'entrée d'une nouvelle configuration.
  - La touche "←" permet de corriger un paramètre.
  - La touche "C" efface les données en cours, les incréments, la fonction séquence.
- \* Le bloc **INCREMENT** effectue l'incrément ainsi déterminé en + ou en - .
- \* Le bloc **REGLAGE** permet de faire varier au moyen de la roue codeuse n'importe quel paramètre appelé avec une résolution variable.
- \* Le bloc de **MODULATION** comporte, en plus des prises d'entrée et sortie de l'instrument, des touches permettant de valider les modulations, d'en choisir la source, ainsi que l'inhibition du signal RF.  
La prise de sortie, du type N, présente une impédance de 50 ohms et accepte une composante continue jusqu'à 50 V et une surcharge accidentelle RF jusqu'à 50 W.  
La prise de modulation BNC constitue une entrée de modulation d'impédance 600 ohms, avec un niveau fixe requis de 0,5 Veff.  
En mode intérieur, le signal 1 kHz ou 400 Hz ressort sur cette même prise avec le même niveau.
- \* Le bloc **MEMOIRE** autorise l'entrée en mémoire de 40 configurations de l'instrument et leur rappel. La touche "SEQ" permet d'organiser une séquence de N configurations prises dans celles entrées en mémoire.



## CHAPITRE III

### UTILISATION

#### III.1 MISE EN SERVICE

##### RECEPTION DU MATERIEL

L'appareil est livré dans un emballage en carton, la protection étant obtenue par un procédé d'injection de mousse de polyuréthane expansible. L'envoi contient l'instrument désigné sur le bon de livraison, le cordon de raccordement au réseau et la notice de l'appareil.

La garantie couvrant les incidents causés lors des livraisons en partance de ADRET ELECTRONIQUE, contrôler que l'appareil ne présente aucune détérioration provoquée pendant le transport.

##### CARACTERISATION DU GENERATEUR

Une étiquette signalétique rivetée sur le panneau arrière donne les références de fabrication de l'appareil. Elle indique notamment le numéro de code ADRET, la série de fabrication, le numéro d'ordre et éventuellement les options montées.

##### STOCKAGE

Le stockage du matériel doit se faire dans les limites de température de - 20°C à + 70°C en des endroits dépourvus d'humidité.

##### ENVIRONNEMENT

Les spécifications techniques du générateur sont valables pour une utilisation à une température ambiante comprise entre 0°C et + 55°C.

Le refroidissement par ventilation forcée doit pouvoir s'effectuer normalement : les entrées et sorties d'air restant dégagées.

Le panneau arrière comporte de droite à gauche :

- la prise de programmation bus IEEE 488,
- la prise auxiliaire permettant de faire défiler une séquence de mémoires,
- la prise secteur normalisée, le répartiteur secteur et le fusible,
- la prise BNC d'entrée asservissement,
- la prise BNC de sortie référence 10 MHz 0,5 V<sub>eff</sub>/50 ohms,
- une prise de sortie RF délivrant un niveau d'environ - 15 dBm,
- une prise de sortie RF avec 400 MHz OFFSET, CW.

### III 3. MANIPULATION DU CLAVIER

#### MODE OPERATOIRE

Le 730 possède une mémoire permanente et, lors de la mise sous tension, retrouve la configuration qu'il avait au moment de la coupure.

Cependant, pour éviter des erreurs en cas de changement d'utilisateur, les fonctions spéciales sont oubliées à chaque interruption de fonctionnement.

Afin de rendre la manipulation aussi aisée que possible, de permettre les corrections et d'éviter les erreurs ou les transitoires parfois dangereux pour les circuits sous test, il est prévu une touche **EXECUTE**.

L'utilisation du clavier est représentée par le diagramme de la page III 5.

Cette disposition permet notamment :

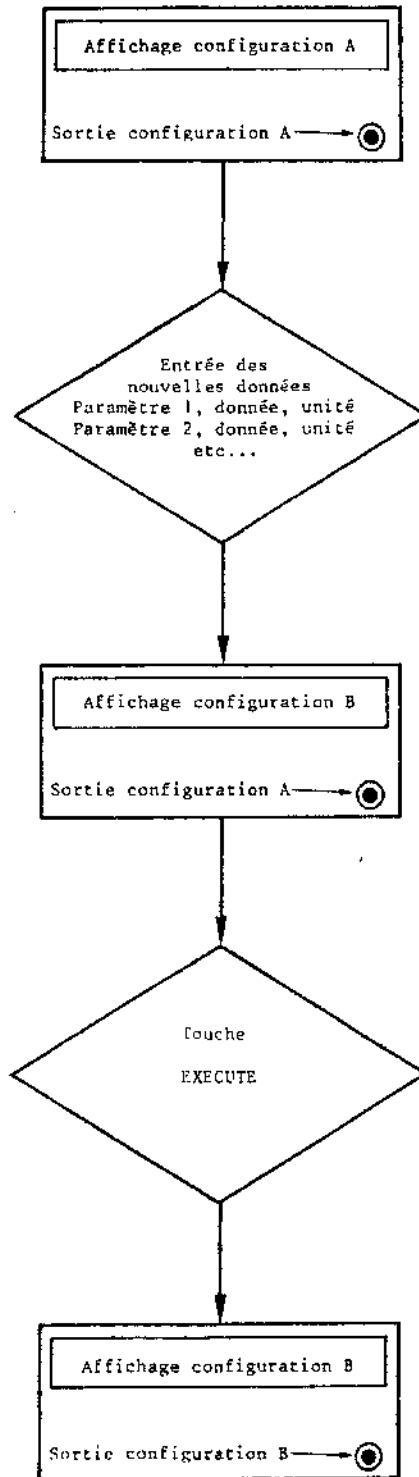
- de passer d'une configuration A à une configuration B sans configuration intermédiaire indésirable,
- de vérifier la totalité des données entrées avant d'exécuter,
- de rappeler les mémoires et de les contrôler avant d'exécuter.

Pendant l'entrée des nouvelles données, une touche "X↔Y" permet d'obtenir temporairement sur l'affichage la configuration actuelle, c'est à dire celle de sortie.

Le voyant situé au-dessus de la touche **EXECUTE** s'allume lors de l'entrée d'une donnée, dès le premier chiffre, et clignote de même après la frappe de l'unité, et ainsi de suite pour d'autres paramètres.

L'allumage ou le clignotement attire l'attention de l'utilisateur sur le fait que l'affichage concerne une entrée en cours et non la configuration de sortie active.

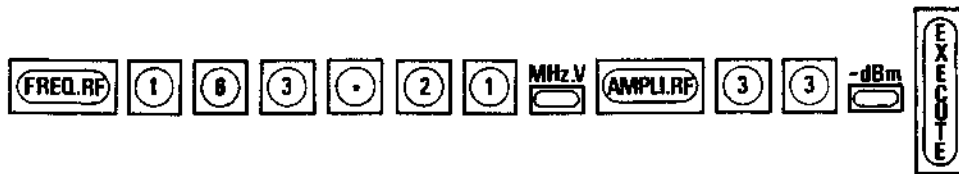
DIAGRAMME DE L'UTILISATION DU CLAVIER



PROGRAMMATION DE LA FREQUENCE ET DU NIVEAU

Exemples :

- \* Une fréquence RF avec un niveau donné en dBm :  
soit 163,21 MHz, - 33 dBm.



Si le signal RF est inhibé, voyant "INHIB RF" allumé, presser la touche située à côté de ce voyant pour obtenir le signal.

Nota : L'ordre d'entrée des paramètres n'est pas imposé et il est toujours possible de modifier un quelconque paramètre sans entrer de nouveau les autres.

- \* Une fréquence RF avec niveau donné en volt :  
soit 9592 kHz, 152 mV.



- \* Niveau en dB $\mu$ V : soit + 20 dB $\mu$ V.



Pour repasser en normal, faire :



PROGRAMMATION DES MODULATIONS

- Choix de la source

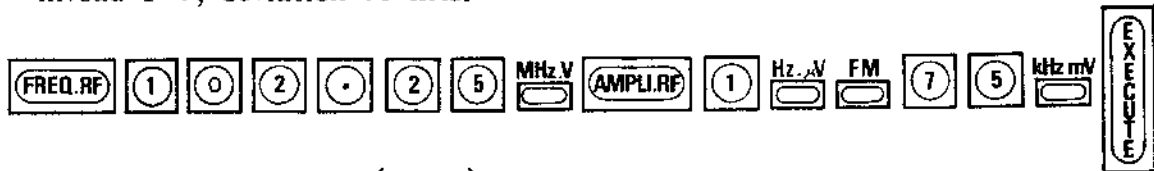
Les touches MODULATION "EXT", "1 kHz", "400 Hz" permettent de choisir la source de modulation. La touche "0" inhibe toute modulation indépendamment du réglage de celle-ci.

En extérieur, un signal de 0,5 Veff/600 ohms doit être appliqué sur l'entrée AF. Les voyants EXT. CAL. permettent de vérifier la calibration ou de l'obtenir en agissant sur le niveau du signal d'entrée.

- Choix du type de modulation et réglage : Exemples

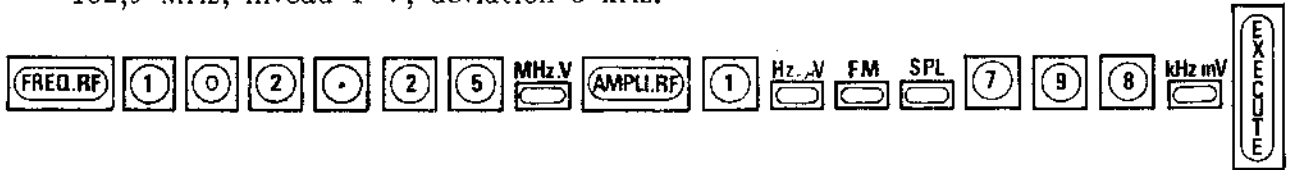
**Modulation FM**

\* Une fréquence RF, niveau RF et excursion FM donnés : soit 102,25 MHz, niveau 1 V, déviation 75 kHz.



**Modulation FM continue (SP 79)**

\* Une fréquence RF, niveau RF et excursion FM continue donnés : soit 102,5 MHz, niveau 1 V, déviation 8 kHz.



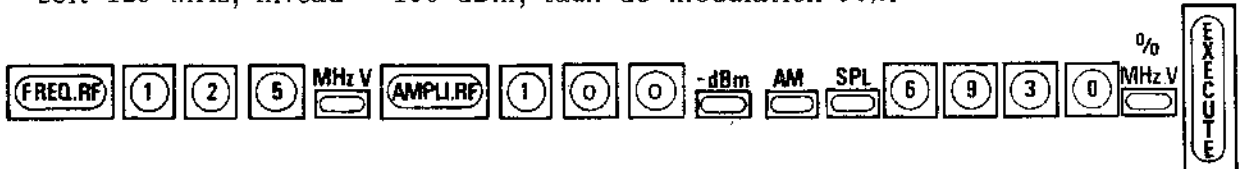
**Modulation AM**

\* Une fréquence RF, niveau RF et taux de modulation AM donnés : soit 125 MHz, niveau - 100 dBm, taux de modulation 30%.



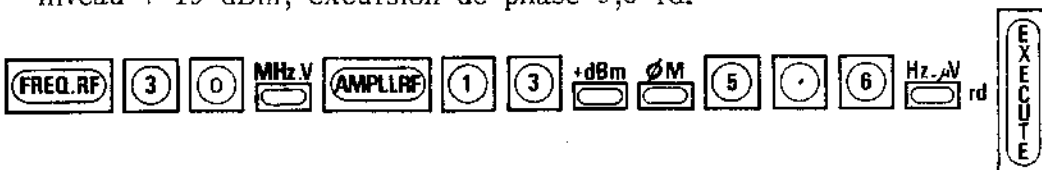
**Modulation AM continue (SP 69)**

\* Une fréquence RF, niveau RF et taux de modulation AM continue donnés : soit 125 MHz, niveau - 100 dBm, taux de modulation 30%.



**Modulation ØM**

\* Une fréquence RF, niveau RF et excursion de phase donnés : soit 30 MHz, niveau + 13 dBm, excursion de phase 5,6 rd.



**Modulation  $\emptyset$ M continue (SP 78)**

\* Une fréquence RF, niveau RF et excursion de phase continue donnés : soit 30 MHz, niveau + 13 dBm, excursion de phase 5,6 rd.

FREQ.RF 3 0 MHz V AMPL.RF 1 3 +dBm  $\emptyset$ M SPL 7 8 5 . 6 Hz V rd

EXECUTE

INCREMENTATION

Chaque paramètre peut être entré sous forme d'incrément simplement en pressant, après introduction de la donnée, la touche "INC" du bloc **DONNEES**.

L'incrément se fait ensuite au moyen des touches  $\triangle$  et  $\nabla$  du bloc **INCREMENT**.

Exemple : Effectuer un incrément de fréquence de 12,5 kHz à partir d'une fréquence déjà entrée :

FREQ.RF 1 2 . 5 kHz mV INC

et autant de pression sur  $\triangle$  ou  $\nabla$  que de pas à faire.

Nota :

- . Une pression sur la touche "INC" permet de visualiser un incrément déjà entré. Après introduction d'un incrément, il est possible (mais non indispensable) de réafficher la valeur du paramètre à incrémenter en enfonçant la touche du bloc **PARAMETRE** correspondante ; dans l'exemple.
- . en amplitude, l'incrément s'exprime uniquement en dB.

MANIVELLE

Pour obtenir une variation pseudo-analogique de n'importe quel paramètre, il suffit d'appeler celui-ci (voyant du paramètre allumé) et de tourner la manivelle de réglage après l'avoir validée ("VALID").

Les résolutions de départ, préréglées à chaque mise en marche de l'appareil, sont :

- Fréquence RF : 1 MHz
- Amplitude RF : 0,1 dB
- Excursion FM : . de 0 à 20 kHz  $\rightarrow$  10 Hz  
                  . de 20 à 200 kHz  $\rightarrow$  0,1 kHz
- Excursion  $\emptyset$ M : 0,01 rd
- Taux AM : 0,1 %

Cette résolution est indiquée par un clignotement du chiffre correspondant pendant 2 secondes après la validation du bouton de réglage ("VALID"). Elle peut être modifiée en rapports décimaux par les touches "x10" et ":10". En FM et  $\emptyset$ M la manivelle n'est active qu'après introduction d'une valeur de départ au clavier.

L'inhibition de la manivelle pour chaque paramètre s'obtient en pressant de nouveau la touche "VALID".

MEMOIRES ET SEQUENCE\* Entrée :

Lorsqu'une configuration complète de l'appareil doit être sauvegardée, il suffit, pour entrer dans la mémoire n°24, de faire :



ou, pour entrer dans la mémoire n°8 :



Le numéro de la case mémoire s'inscrit fugitivement sur l'affichage fréquence sous la forme P08 pour Position mémoire 08.

Nota : Pour désigner une mémoire, il est indispensable d'entrer toujours 2 chiffres.

\* Sortie :

Pour rappeler une configuration en mémoire, soit la n°13, faire :



Le numéro de mémoire s'affiche pendant 2 secondes, puis la configuration mémorisée apparaît et le voyant **EXECUTE** clignote, tandis que l'appareil reste sur la dernière configuration exécutée.

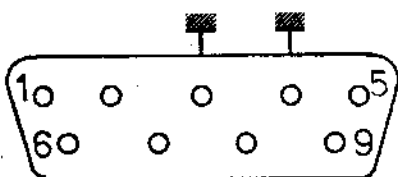
Pour exécuter la dernière configuration rappelée, faire :



Lorsque l'on rappelle une configuration mémorisée afin de vérifications sans pour cela vouloir l'exécuter, il suffit pour réafficher la configuration initialement exécutée, de presser la touche "X←→Y" du bloc **DONNEES**.

\* Séquence :

Il est possible d'organiser un certain nombre de positions mémoire en une séquence qui peut être exploitée par l'intermédiaire d'une prise 9 broches située à l'arrière de l'instrument.

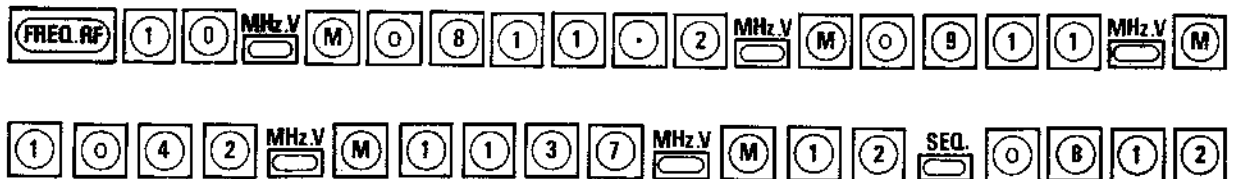
Brochage de la prise auxiliaire

- Broche 1 : commande incrémentation de la séquence ou retour au début de la séquence
- Broche 2 : (sens) incrémentation ou retour au début de la séquence
- Broche 3 et 4 : masse.

Un interrupteur à pédale, un cadenseur ou les touches incréments permettent alors de faire défiler les configurations pour une utilisation semi-automatique de l'appareil.

Pour cela, entrer les configurations dans la mémoire, dans l'ordre de leur numéro, et définir ensuite les limites.

Exemple : Séquence de 5 fréquences :



Allumage du voyant "SEQ" lors de la pression sur cette touche. Entrer rapidement les limites dès la pression sur "SEQ", l'attente ne pouvant excéder 2 secondes.

L'action sur la pédale extérieure ou sur les touches  $\triangle$  et  $\nabla$  est exécutoire.

L'action sur la pédale extérieure permet :

- d'incrémenter les mémoires,
- de revenir au début de la séquence.

La touche  $\triangle$  permet d'incrémenter les mémoires et la touche  $\nabla$  de les décrémenter.

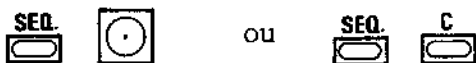
Pour que la touche  $\nabla$  entraîne le retour au début de la séquence, faire :



Pour revenir au mode normal, faire :



Pour l'inhibition du système, il suffit de sélectionner n'importe quel paramètre et pour sa suppression, de faire :



Lorsqu'une séquence est organisée, une pression sur la touche "SEQ" donne, sur l'affichage fréquence RF, les numéros de début et de fin de séquence pendant 2 secondes, exemple : 08-12, mais le voyant "SEQ" est allumé, sauf arrêt de l'instrument, tant que la fonction n'a pas été inhibée ou supprimée.

Tant que le voyant "SEQ" est allumé, les touches **INCREMENT**  $\triangle$  et  $\nabla$  ou un interrupteur à pédale\* connecté à la prise "AUX" permettent d'incrémenter les mémoires dans la séquence. L'exécution est faite à chaque pas.

\* Brochage sur schéma carte CPU.







\* Recherche d'une position mémoire :

Pour rechercher, soit une mémoire libre, soit une configuration entrée dont le numéro est oublié par l'utilisateur, faire "R", donner un numéro de départ et utiliser les touches du bloc **INCREMENT**  $\triangle$  et  $\nabla$  pour faire défiler les mémoires dans un sens ou dans l'autre.

Après chaque pression, le numéro de la position mémoire s'inscrit à la place de la fréquence, mais au bout de 2 secondes environ, la configuration complète est affichée sur la face avant. Le mode n'est pas exécutoire, toute configuration retenue doit être exécutée (voyant **EXECUTE** clignotant).

Un voyant situé au-dessus de la touche "M" indique, de la même manière que les touches **PARAMETRE**, l'état actif de cette touche et en conséquence des touches **INCREMENT**  $\triangle$  et  $\nabla$ .

CARACTERISTIQUES PARTICULIERES DU CLAVIER

- \* Touche  : efface les données en cours, les incréments, la fonction séquence.
- \* Touche  : permet la correction du paramètre appelé en partant du dernier chiffre entré. Un clignotement indique le chiffre qui peut être rectifié.
- \* Touche  : permet, lors d'une entrée Clavier, de visualiser pendant deux secondes la configuration active de l'instrument, permet de réafficher la configuration active en cas de rappel mémoire non exécuté.
- \* Touche  : associée au clavier, cette touche permet de répondre à des besoins particuliers. Ex. : unité de niveau en dB $\mu$ V. Elle permet en outre l'initialisation de la face avant à 100 MHz et - 129,9 dBm, "SPL 98".

FONCTIONS SPECIALES

|     |                                    |    |  |
|-----|------------------------------------|----|--|
| 01  | Test RAM                           | 78 | Modulation PM continue                                     |
| 40  | Référence de niveau normale        | 79 | Modulation FM continue                                     |
| 44* | Décalage de la référence de niveau | 80 | Fonctionnement normal de la séquence                       |
| 60  | Suppression de AM continue         | 84 | Touche $\nabla$ entraîne un retour au début de la séquence |
| 69  | Modulation AM continue             | 98 | Initialisation générateur                                  |
| 70  | Suppression de FM ou PM continue   |    |  |

\* Cette fonction permet un affichage du niveau en dB $\mu$ V.

Appuyer sur la touche "SPL", puis entrer les 2 chiffres correspondant au numéro de la fonction spéciale.

L'affichage de la fréquence est momentanément remplacé par "SP" suivi du numéro de la fonction spéciale.

**Exemple :** Faire une initialisation de l'instrument



**Nota :-** Après un arrêt/marche ou une initialisation, les fonctions spéciales sont oubliées.

- Les fonctions spéciales concernant les modes de modulation continue ne peuvent pas être validées simultanément et ne peuvent être validées en "Modulation interne".

### STATUS

Ce bloc comprend 4 voyants et un bouton poussoir :

- \* Voyant  REM : (Remote) indique que l'instrument est en programmation extérieure IEEE 488.
- \* Poussoir  TRL adresse : deux actions :
  - en "Remote", permet le retour en "Local" sauf instruction "Local lock out" sur le contrôleur.
  - en "Local", visualise sur l'affichage fréquence l'adresse de l'instrument, adresse qui est modifiée par un commutateur situé dans l'instrument. La forme de l'affichage est A03, par exemple.
- \* Voyants  Normal : tout est normal
- Dépassement : fonctionnement autorisé mais dépassement, spécification non garantie ou diminuée.
- Erreur : fausse manipulation.

### Dépassement

Le voyant dépassement s'allume également dès qu'une modulation AM est programmée, si le niveau de sortie est égal ou supérieur à + 14 dBm (risque de distorsion AM).

### Entrée erroné

Pour toute entrée de données correspondant à des valeurs hors gamme, le voyant erreur s'allume et un code erreur apparaît sur l'affichage fréquence pendant 2 secondes environ. Après ce délai, retour à la valeur antérieure.

Le tableau ci-après donne la signification des codes erreurs :

|                                   |      |
|-----------------------------------|------|
| Fréquence trop haute              | E-21 |
| Fréquence trop basse              | E-22 |
| Amplitude trop haute              | E-41 |
| Amplitude trop basse              | E-42 |
| Incrément exprimé en volts        | E-47 |
| Taux de modulation AM trop élevé  | E-61 |
| Taux de modulation AM trop faible | E-62 |
| Modulation AM continue validée    | E-69 |
| Excursion FM/PM trop élevée       | E-71 |
| Excursion FM/PM trop faible       | E-72 |
| Unité incohérente en FM ou PM     | E-77 |
| Modulation PM continue validée    | E-78 |
| Modulation FM continue validée    | E-79 |
| Dépassement de butée de séquence  | E-89 |
| Débordement listener              | E-91 |

En cas d'appel d'une mémoire vide, le voyant erreur s'allume et l'affichage Fréquence affiche "E" à côté du numéro mémoire appelé.

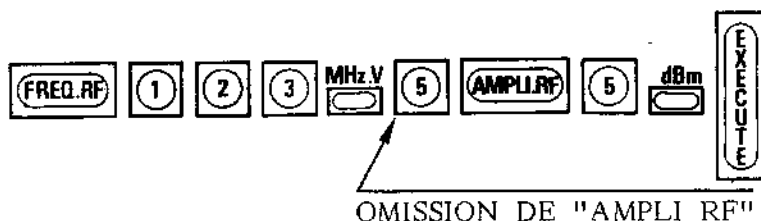
#### Omission de l'unité ou unité incohérente

En cas d'omission de l'unité, voyant ERREUR et retour à la valeur antérieure.

#### Oubli de sélectionner un nouveau paramètre

Ceci arrive fréquemment si l'on entre une configuration complète. Dans ce cas, pour éviter la perte de la valeur entrée sur le paramètre de départ après introduction de l'unité, le clavier n'est plus actif tant que l'on n'a pas sélectionné un paramètre ou que l'on n'a pas exécuté la configuration.

Exemple :



La fréquence de sortie est effectivement 123 MHz, le premier "5" tapé sans être précédé de "AMPLI RF" n'est pas pris en compte.

### III 4. EXECUTION DES MESURES

#### SORTIE RF

##### \* Inhibition

L'inhibition du signal RF est obtenue en allumant le voyant "INHIB RF" à l'aide de la touche située à côté de ce voyant.

##### \* Protection

Une protection de l'atténuateur et de l'amplificateur de sortie agit en cas de réinjection sur la prise de sortie d'un signal RF de niveau supérieur à une centaine de mV. La protection est assurée pour des fréquences réinjectées comprises dans la gamme de l'appareil et pour des puissances allant jusqu'à 50 W. Le disjoncteur se réenclenche automatiquement dès la disparition de la réinjection RF.

##### \* Mesures à très bas niveau

L'exécution de mesures avec des niveaux de sortie inférieurs à 10 mV nécessite un certain nombre de précautions. Tout d'abord le câble de liaison doit être de type double tresse (ou semi-rigide) et la prise N en bon état et parfaitement serrée. Enfin, la mesure doit se faire dans une cage de Faraday ou sur un plan masse relié à la borne de masse située sous la prise N, par une large tresse.

Le bouchon 50 ohms doit toujours être monté sur la sortie arrière auxiliaire.

##### \* Sortie RF auxiliaire

Cette sortie est destinée à l'utilisation d'un "voltvecteurmètre" et est utilisable chaque fois qu'un signal de synchronisation est nécessaire.

Cette prise délivre un niveau de l'ordre de - 10 dBm qui n'est pas affecté par le jeu de l'atténuateur par pas de 4 dB mais dépend toutefois de la configuration des pas de 0,1 et 1 dB. C'est donc un niveau variable d'environ 14 dB. Lorsque la sortie RF principale délivre des niveaux inférieurs à - 100 dBm, il est indispensable d'utiliser pour la sortie auxiliaire un câble double tresse.

##### \* Sortie décalée 400/580 MHz

Cette sortie est destinée à l'utilisation éventuelle de mesureurs sélectifs. Cette prise délivre un niveau de 0 dBm  $\pm$  4 dB.

MODULATIONS\* Commutation des sources

La touche "0" du bloc MODULATION permet l'inhibition des modulations indépendamment des taux ou excursion programmés (mode CW).

La sélection des sources de modulation 400 Hz ou 1 kHz donne une modulation calibrée correspondant à la valeur affichée. Dans le cas du choix d'une source extérieure "EXT" un signal sinusoïdal de 0,5 V<sub>eff</sub>/600 ohms doit être appliqué sur la prise d'entrée.

\* Calibration : Entrée alternative

Les voyants  $\blacktriangle$  et  $\blacktriangledown$  situés à droite de l'affichage modulation permettent le réglage du niveau d'entrée pour l'obtention d'une calibration parfaite. La calibration s'effectue sur la position "EXT" ou la position "0".

Les voyants  $\blacktriangle$  et  $\blacktriangledown$  sont éteints tous les deux pour le bon réglage. Un niveau trop faible provoque l'allumage du voyant  $\blacktriangledown$  et un niveau trop fort l'allumage du voyant  $\blacktriangle$ .

Le système de calibration fonctionne également sur signaux rectangulaires avec une amplitude crête-crête de 1,4 V et reste actif lors de la visualisation non exécutée d'une configuration mémoire.

\* Calibration : Entrée continue

Les voyants  $\blacktriangle$  et  $\blacktriangledown$  situés à droite de l'affichage modulation permettent le réglage du niveau d'entrée pour l'obtention d'une calibration parfaite. La calibration s'effectue sur la position "EXT" ou la position "0".

Les voyants  $\blacktriangle$  et  $\blacktriangledown$  sont éteints tous les deux pour le bon réglage. Un niveau trop faible provoque l'allumage du voyant  $\blacktriangledown$  et un niveau trop fort l'allumage du voyant  $\blacktriangle$ .

Le système de calibration allume le voyant  $\blacktriangle$  pour une tension continue. La tension continue d'entrée est de 0,707 V pour une déviation de fréquence de 9,99 kHz.

ASSERVISSEMENT DU PILOTE

Le panneau arrière comporte une prise de sortie 10 MHz référence d'un niveau de 0,5 V<sub>eff</sub>/50 ohms destinée à l'asservissement d'un autre instrument.

Il comporte également une prise d'entrée pour l'asservissement du générateur sur une source extérieure stable et précise.

Le fonctionnement est assuré pour des fréquences sous-multiples de 10 MHz et des niveaux compris entre 0,2 et 1 V<sub>eff</sub>/50 ohms.

Le calage s'effectue par réglage au moyen du potentiomètre à axe fendu et de l'indicateur à 2 diodes LED. N'effectuer ce calage qu'après 1 heure de chauffe du pilote, c'est à dire 1 heure après raccordement au réseau, le pilote étant alimenté, que l'interrupteur soit en position attente ou marche.

Nota : Il est possible également d'entrer directement sur la prise d'asservissement pilote une tension continue  $\pm 5$  V qui commandera la fréquence du quartz. Ceci permet d'utiliser un comparateur de phase extérieur.

### III 5. UTILISATION DU BUS IEEE 488

#### PRINCIPE

La programmation du générateur est réalisée selon la norme IEEE 488 et utilise un LANGAGE CLAIR et un FORMAT LIBRE.

Toutes les fonctions de l'instrument sont programmables au moyen de PREFIXES MNEMONIQUES attribués à chacune des commandes du panneau avant.

Ces préfixes sont associés à un ou plusieurs chiffres pour sélectionner une commande ou définir l'entrée d'une valeur selon une procédure détaillée dans les pages qui suivent.

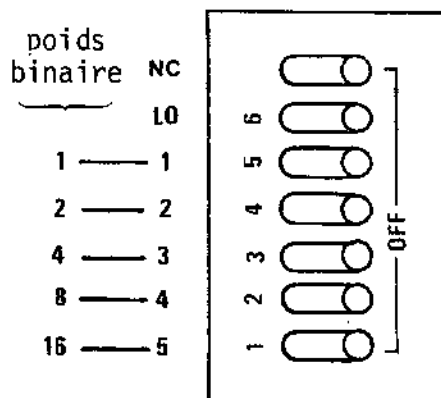
L'affichage du générateur reste validé en mode programmation pour permettre la vérification de la configuration introduite et exécutée par le contrôleur.

#### RACCORDEMENT AU BUS, ADRESSAGE

Le connecteur normalisé est situé sur la face arrière de l'instrument et doit être raccordé au contrôleur par l'intermédiaire d'un cordon bus IEEE 488 standard.

Il est possible de connaître l'adresse sélectionnée sur le 730 en pressant le poussoir "adresse (rtl)", l'affichage se faisant en clair sur la face avant à la place de la fréquence RF.

Pour modifier l'adresse, le commutateur se situe sur le panneau arrière.



- Positionner l'inverseur LO (Listen Only) sur "0", position "adressable". Dans le cas contraire (LO = "1") l'appareil est adressé de façon permanente.
- Positionner les inverseurs 1 à 5 sur "0" ou "1" pour réaliser le chiffre binaire correspondant à l'adresse décimale choisie entre 0 et 30.

### PROGRAMMATION DES MODES LOCAL/DISTANCE

Le 730 remplit les conditions RL2 de la norme IEEE 488 qui stipule que le mode programmé peut être LOCAL ou DISTANCE avec la possibilité de verrouiller le fonctionnement de l'instrument. La fonction RL2 est schématisée par le diagramme simplifié ci-après accompagné de sa table mnémotechnique.

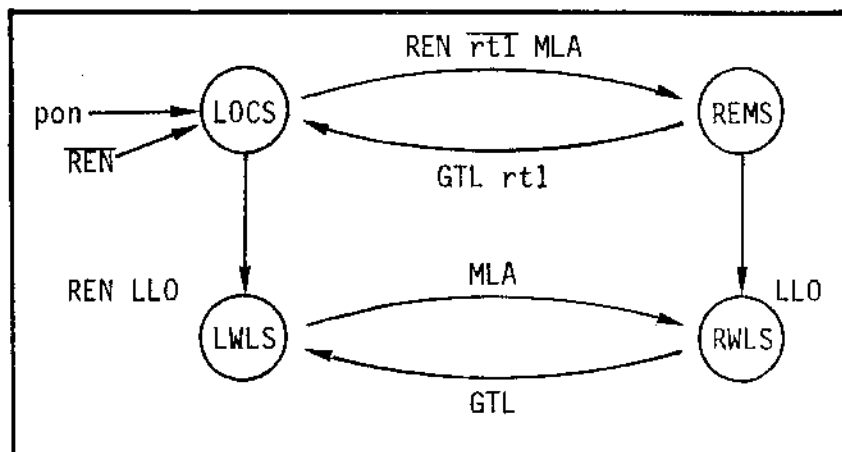
#### Messages de commande

pon = mise sous tension  
 rtl = retour local manuel  
 REN = valid. distance  
 LLO = verrouillage du local  
 GTL = retour en local  
 MLA = adressage

#### Modes

LOCS = local sans verrouillage  
 LWLS = local avec verrouillage  
 REMS = distance sans verrouillage  
 RWLS = distance avec verrouillage

Dès le raccordement du contrôleur au connecteur du panneau ARRIERE et quand le bus IEEE est actif (ligne REN à 0 Volt), l'interrupteur MARCHE/ATTENTE ne peut plus mettre l'appareil en ATTENTE, que le mode d'utilisation soit local ou distance.



Passage en mode distance

Le mode DISTANCE EST obtenu dès le premier adressage en LISTENER (écoute) de l'appareil à condition que la ligne REN soit active (REN = 0 V).

CONSTITUTION DES MESSAGES

La programmation des différents paramètres s'effectue toujours en code ASCII, leur prise en compte par le générateur ayant lieu à la réception d'un caractère d'exécution qui joue le rôle de la touche EXECUTE du mode local.

Sont considérés comme caractères d'exécution le point d'interrogation, l'ordre "Groupe exécute trigger" ou le retour chariot "carriage return" (RC) ou le saut de ligne "Line Feed" (LF) généralement transmis automatiquement.

L'ordre d'exécution peut être différé par l'émission d'un point d'exclamation et ceci jusqu'à réception d'un autre caractère d'exécution. Il est donc toujours possible d'enregistrer et de visualiser une configuration sans l'exécuter immédiatement.

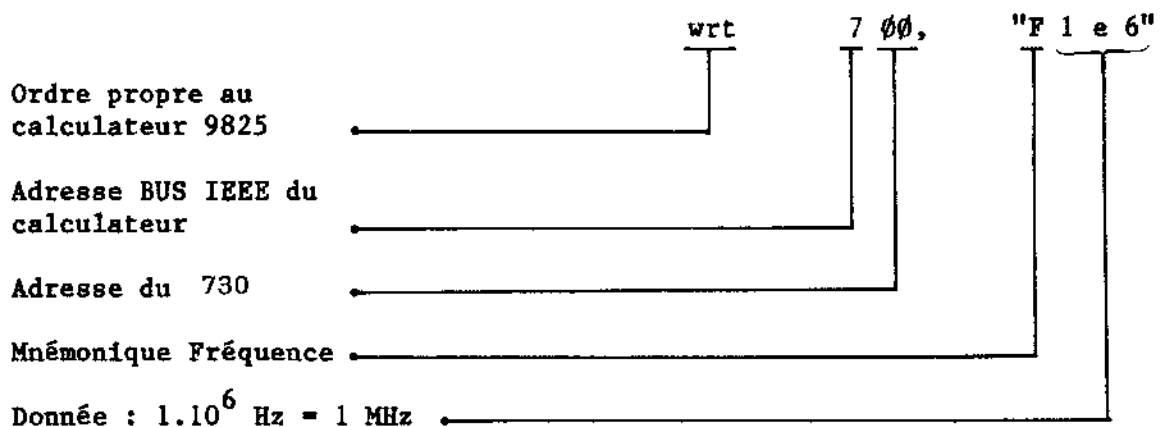
Des exemples de programmation, correspondant à l'utilisation d'un contrôleur HP 9825, sont donnés pour compléter la description et faciliter la compréhension. Toutefois, l'emploi de ce contrôleur n'est absolument pas restrictif, le générateur étant programmable à partir d'autres modèles.

Les préfixes mnémoniques de programmation peuvent être indifféremment écrits en majuscules ou minuscules.

PROGRAMMATION DE LA FREQUENCE RF

Programmer le mnémoniques "F" suivi en format libre de la fréquence exprimée en Hz.

Exemple :





PROGRAMMATION DU NIVEAU DE SORTIE

Programmer le mnémonique "A" (amplitude) suivi du niveau en dBm, la résolution étant de 0,1 dB.

La programmation s'effectue obligatoirement en dBm.

Exemple 1 : soit - 45,2 dB  
wrt 700, "A - 45.2"

Exemple 2 : programmation de la fréquence et du niveau, soit 118 MHz et  
- 117 dBm  
wrt 700, "F 118 e 6 A - 117"

PROGRAMMATION DE L'INHIBITION RF

Programmer le mnémonique "RF" suivi de "0" pour inhibition et "1" pour validation du niveau RF.

PROGRAMMATION DES MODULATIONS\* Modulation d'amplitude

Programmer le mnémonique "AM" suivi d'un chiffre compris entre 0 et 3 pour la sélection du mode selon la table suivante :

AM 0 Inhibition de la modulation (CW)  
AM 1 Source externe  
AM 2 Source interne 1 kHz  
AM 3 Source interne 400 Hz

Programmer le préfixe % suivi d'un nombre exprimant le taux en % avec une résolution de 0,1 %.

Exemple : source int 1 kHz et 50,5 % de taux.  
W 700, "AM 2 % 50.5"

\* Mode Modulation AM continue

Programmer le mnémonique "AM1" pour sélectionner la source externe. Programmer le préfixe mnémonique "SP 69" (spécial 69) pour valider le mode. Suppression de la modulation AM = : "SP60".

\* Modulation de fréquence

Programmer le mnémonique "FM" suivi d'un chiffre compris entre 0 et 3 pour la sélection du mode selon la table suivante :

FM0 Inhibition de la modulation (CW)  
FM1 Source externe  
FM2 Source interne 1 kHz  
FM3 Source interne 400 Hz

Programmer le préfixe "D" (déviation) suivi d'un nombre représentant la déviation de fréquence exprimée en kHz, sachant que la résolution disponible est de :

10 Hz de 0 à 19,99 kHz  
100 Hz de 20 à 199,9 kHz

Exemple : Source interne 400 Hz et 75 kHz de déviation.  
wrt 700, "FM3 D 75"

#### \* Mode Modulation FM continue

Programmer le mnémonique "FM1" pour sélectionner la source externe. Programmer le préfixe mnémonique "SP 79" (spécial 79) pour valider le mode. Suppression de la modulation FM = : "SP 70".

#### \* Modulation de phase

Programmer le mnémonique "PM" suivi d'un chiffre compris entre 0 et 3 pour la sélection du mode selon la table suivante :

|     |                                  |
|-----|----------------------------------|
| PM0 | Inhibition de la modulation (CW) |
| PM1 | Source externe                   |
| PM2 | Source interne 1 kHz             |
| PM3 | Source interne 400 Hz            |

Programmer le préfixe "P" suivi du nombre exprimant la déviation en radians avec la résolution de 0,01 rd.

Exemple : Source ext. et déviation de  $\pm 3,14$  rd  
wrt 700, "PM1 P 3.14"

#### \* Modulation de phase continue

Programmer le mnémonique "PM1" pour sélectionner la source externe. Programmer le préfixe mnémonique "SP 68" (spécial 68) pour valider le mode. Suppression de la modulation de phase continue : "SP 70".

### PROGRAMMATION DES MEMOIRES

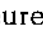
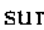
Introduire la configuration dans une mémoire en programmant le mnémonique "M" suivi du n° d'ordre de la mémoire choisie, de 01 à 40.

Rappeler une configuration mise en mémoire au moyen du mnémonique "RM" (rappel mémoire) suivi du n° de la mémoire.

## PROGRAMMATION DES SEQUENCES

Programmer le mnémonique "SQ" suivi de 4 chiffres déterminant les bornes de la séquence.

Exemple : wrt 700, "SQ 05 23"

La séquence ainsi déterminée contient les mémoires de n° 05 à 23 et l'action ultérieure sur la pédale ou les touches  et  du bloc INCREMENT permettra de l'exploiter après retour en local.

Pour supprimer la séquence, faire : "SQ0".

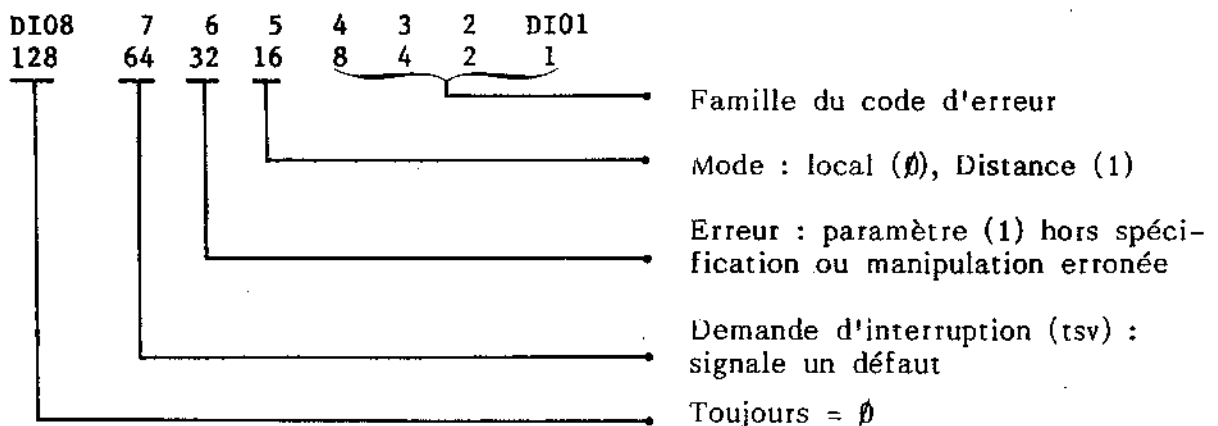
## TRAITEMENT DES ERREURS

### \* Status (lecture des états)

L'appareil remplit la fonction SR1 de la norme IEEE 488 en émettant le signal SRQ (service request ou demande d'interruption) sur le BUS, à la suite de la tentative de dépassement des spécifications d'entrée.

Le contrôleur peut alors demander un octet d'état (status byte) selon le procédé de reconnaissance série (serial polling). Le format de l'octet est le suivant :

La validation du bit 32 signale une erreur d'utilisation. La famille du code d'erreur correspondant à la faute commise est indiquée par les bits BCD 1-2-4-8 (0 à 9), l'affichage du générateur visualisant le code exact (00 à 91).



### \* Fonction d'interface

Le 730 est conforme à la norme IEEE 488 1975 et à la norme CEI 625-1 à l'exception du connecteur qui est celui de la norme IEEE. Une adaptation du connecteur CEI est possible sur demande. Le 730 remplit les fonctions suivantes :

AH1 - SH1 - T2 - TE0 - L1 - LE0 - RL1 - PP0 - DC1 - DT1 - C0.

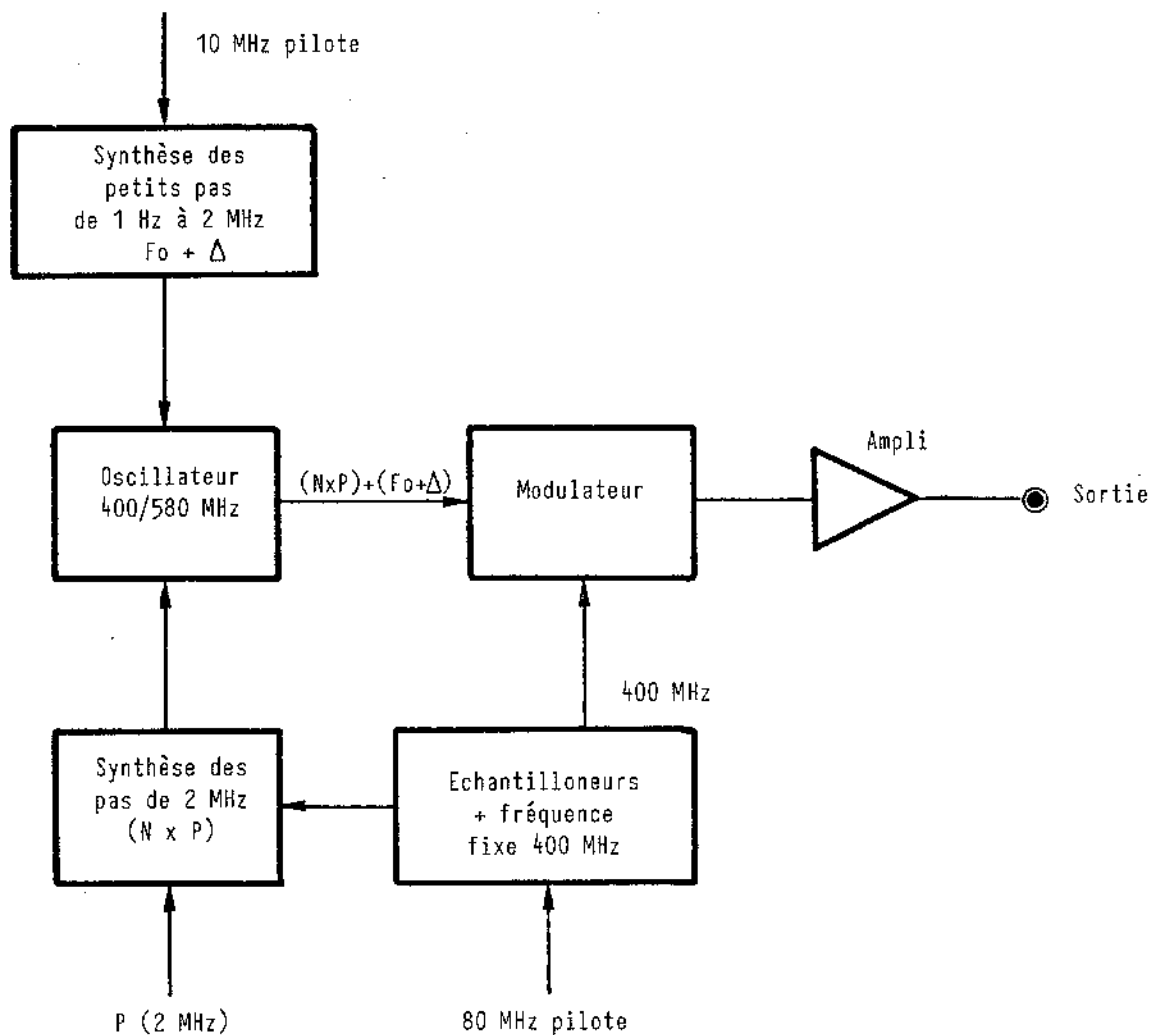
## CHAPITRE IV

### PRINCIPE DE FONCTIONNEMENT

#### PRINCIPE GENERAL

Le générateur à synthèse de fréquence 730A avec un principe de synthèse simple permet d'obtenir une excellente pureté spectrale, tout en ne mettant en oeuvre qu'un nombre de composants restreints dans l'élaboration de sa partie **VHF**, mais une telle simplification n'est obtenue que par l'élaboration de fréquences de Base de Temps à haute pureté spectrale.

D'une manière simplifiée, le principe du 730A peut être représenté comme ci-dessous :



Les différents blocs se répartissent comme suit :

- \* Le synthétiseur des petits pas de conception classique, génère une fréquence qui comporte une partie fixe  $F_0$  et une partie variable  $\Delta$  qui constitue la somme des petits pas.
- \* Le synthétiseur des grands pas est constitué des blocs échantillonneurs + fréquence fixe 400 MHz et synthèse des pas de 2 MHz. La fréquence issue de ces blocs est égale à  $N \times P$  avec  $P = 2$  MHz et  $N$  variant de 198 à 287. Elle n'effectue donc que des pas pairs, multiple de 2.
- \* Le bloc oscillateur 400/580 MHz permet l'adjonction des petits pas aux grands pas ; la fréquence de sortie devient alors égale à :  $(N \times P) + (F_0 + \Delta)$  avec  $F_0 = 4$  MHz et  $\Delta$  variant de 0 à 2 MHz par pas de 1 Hz, avec une valeur maximum de (2 MHz - 1 Hz).
- \* Le bloc Modulateur permet d'obtenir la fréquence de sortie par l'hétérodynage de la fréquence avec une fréquence de 400 MHz :  
 $(N \times P) + (F_0 + \Delta)$  avec  $F$  fixe = 400 MHz, la formule devient :  
 $[(N \times P) + (F_0 + \Delta)] - 400 = F$  sortie ;  $F_s$  pouvant être égale à 0.  
 $\Delta$  est limité volontairement à 300 Hz lorsque  $N$  est égal à 198, afin que la plus basse fréquence de sortie ne soit pas inférieure à cette valeur.

#### EXEMPLE

Toutes les unités sont exprimées en MHz.

\* Synthétiser 1 kHz.

$$N = 198 \quad P = 2 \quad F_0 = 4 \quad \Delta = 0,01$$

$$[(198 \times 2) + (4 + 0,001)] - 400 = [396 + 4,001] - 400 = 0,001 \text{ MHz donc } 1 \text{ kHz.}$$

\* Synthétiser 171 MHz.

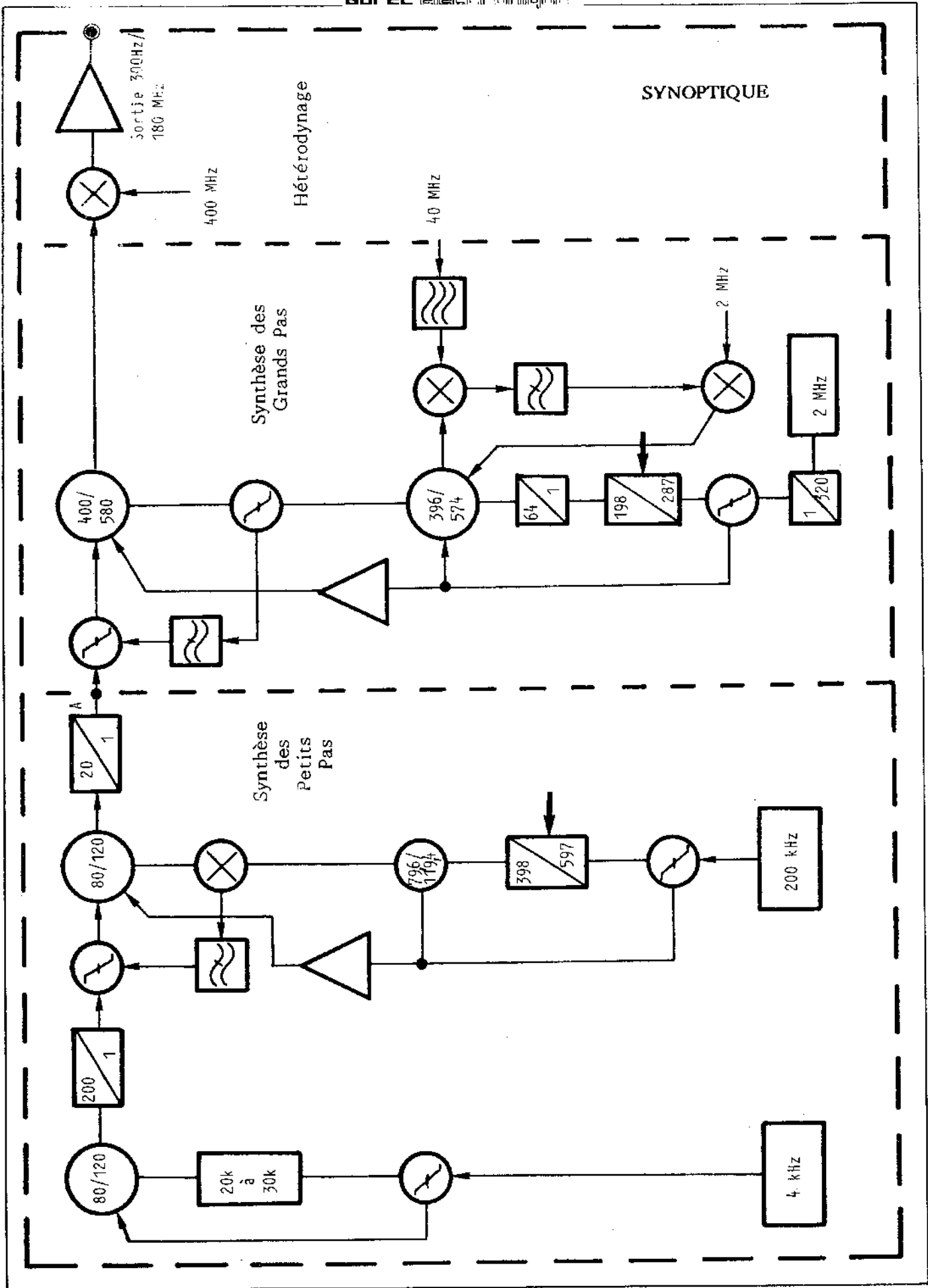
$$N = 566/2 = 283 \quad P = 2 \quad F_0 = 4 \quad \Delta = 1$$

$$[(283 \times 2) + (4 + 1)] - 400 = [571] - 400 = 171 \text{ MHz.}$$

Le synoptique page IV-3 comportant les principaux circuits permet de se faire une idée plus précise du fonctionnement de la synthèse 730 qui, partant d'un oscillateur à quartz de 80 MHz, permet d'obtenir une fréquence de 300 Hz à 179,999 999 MHz.

La synthèse des petits pas est effectuée d'une manière classique au moyen de trois boucles d'asservissement de phase.

La première boucle comporte un oscillateur 80 à 120 MHz et un diviseur programmable 20 000 à 30 000, et réalise la synthèse de 10 000 pas de 4 kHz. Une division fixe en sortie de cette boucle de 200, permet d'obtenir une fréquence de 400 à 600 kHz par pas de 20 Hz.



Une deuxième boucle effectue la somme de cette fréquence avec une nouvelle fréquence de 80 à 120 MHz, elle-même obtenue par la troisième boucle, qui au moyen d'un oscillateur et d'un diviseur programmable 398 à 597, génère 199 pas de 200 kHz. Un diviseur fixe par 20 permet d'obtenir au point A une fréquence somme variant de 4 à 6 MHz par pas de 1 Hz. Cette division par 20 permet d'être moins critique sur le bruit de phase et les raies parasites des oscillateurs 80 à 120 MHz, puisque l'on gagne naturellement 26 dB.

La synthèse des grands pas est réalisée à partir d'un oscillateur couvrant une gamme de 396 à 574 MHz et d'un diviseur programmable 198 à 287 MHz. La résolution est de 2 MHz. La comparaison de fréquence qui permet d'asservir l'oscillateur se fait à 31,25 kHz. La pureté spectrale d'un tel asservissement n'est absolument pas compatible avec le bruit de phase recherché, il est donc nécessaire de ne faire que l'approche de la fréquence, et d'avoir un deuxième asservissement à bruit de phase beaucoup plus faible. Ce deuxième asservissement est réalisé par deux étages d'échantillonnage.

Dans le premier échantillonnage, les raies sont distinctes de 40 MHz entre-elles. Cinq raies utilisées, 400 - 440 - 480 - 520 - 560 MHz, sont obtenues par division et multiplication de fréquences issues du pilote à quartz 80 MHz. Ce qui permet de constater que la position la plus défavorable, qui est de 560 MHz, permet de ne perdre en bruit de phase par rapport au pilote à quartz, que le rapport  $560/80 = 7$  donc 17 dB.

Le deuxième échantillonnage s'effectue tous les pas de 2 MHz, le rapport maximum est de  $20/2 = 10$  donc 20 dB de perte en bruit de phase par rapport à la fréquence de base de temps de 2 MHz. Cette tension continue obtenue à partir de l'ampli de l'échantillonneur à 2 MHz, asservie finement en phase l'oscillateur 396 à 574 MHz.

L'oscillateur 400 à 580 MHz est celui utilisé pour additionner la synthèse des petits pas et des grands pas. Son approche en fréquence est réalisée en même temps que l'approche de l'oscillateur 396 à 574 MHz, et son asservissement de phase est assuré par un CPF qui reçoit la fréquence des petits pas, c'est à dire  $4 \text{ MHz} + \Delta$  et la fréquence de battement entre sa fréquence et celle de l'oscillateur 396 à 574 MHz. La tension continue obtenue en sortie du CPF comporte donc toutes les informations de fréquence entre 4 et 6 MHz.

Après la synthèse des petits et grands pas, un mélangeur d'hétérodynage permet d'obtenir par battement soustractif par rapport à une fréquence de 400 MHz, la fréquence de sortie du 730A ; cette dernière peut varier de 300 Hz à 179,999 999 MHz.

EXPLICATION DU SYNOPTIQUE

La synthèse des petits pas met en oeuvre deux cartes, la première générant 10 000 pas et la seconde 200 pas.

- \* La carte "Dix Millade" comporte un oscillateur 80 à 120 MHz asservi à 4 kHz à travers un diviseur 20 000 à 30 000. Un diviseur fixe de sortie ramène la fréquence entre 400 et 600 kHz par pas de 20 Hz.
- \* La carte "Deux Centade" comporte deux oscillateurs ; le premier de 80 à 120 MHz réalise la synthèse de 200 pas de 200 kHz au moyen du compteur 398 à 597 MHz et de l'asservissement à 200 kHz. La fréquence 400 à 600 kHz comportant les petits pas lui est ajoutée au moyen du deuxième oscillateur et d'une boucle d'asservissement. La fréquence de sortie 80 à 120 MHz représente la synthèse des petits pas et se trouve divisée par 20 vers la sortie.

La synthèse des grands pas qui a été longuement décrite au paragraphe précédent est constituée de deux cartes et d'une partie du module de sortie.

- \* La carte "Pas de 2 MHz" comporte l'oscillateur 396/574 MHz ainsi que l'asservissement de phase de ce dernier constitué par les deux échantillonneurs à 40 MHz et à 2 MHz.
- \* La carte "Asservissement" 400/580 MHz comporte tous les circuits nécessaires à l'approche des oscillateurs 396/574 MHz et 400/580 MHz. La comparaison de fréquence se fait à 31,25 kHz. De plus, un commutateur MOS permet de couper cette approche après une milliseconde, ceci afin de ne pas perturber l'asservissement fin des oscillateurs.
- \* Le module Génération 480 MHz permet de générer certaines fréquences de Base de Temps nécessaires au 730A. Il reçoit la fréquence 80 MHz du pilote à quartz, et sort après multiplication par 6 une fréquence de 480 MHz nécessaire à l'obtention de la fréquence 400 MHz d'hétérodynage. Il permet aussi de ressortir sur deux voies différentes deux fréquences de 80 MHz.
- \* La carte Génération 400 MHz génère la fréquence d'hétérodynage. Cette fréquence de 400 MHz est obtenue après mélange soustractif du 480 MHz et d'un 80 MHz généré par la carte "Modulations" ou dans le cas de l'option FM continue d'un 80 MHz généré par cette carte "FM continue". Le 80 MHz comporte toutes les informations de modulation (FM, PM, AM ou FM = ).



Les modulations autres que la FM continue sont générées sur la carte "Modulations". Un oscillateur à 80 MHz est asservi dans une bande de 5 Hz et reçoit dans sa boucle, soit le signal de modulation FM, soit le signal de modulation  $\Phi M$  ; chacune de ces modulations ayant sa propre boucle de comparaison de fréquence. Un commutateur MOS permet d'aiguiller la modulation désirée sur l'oscillateur 80 MHz. En mode modulation AM ou CW, une fréquence de 80 MHz Base de Temps se substitue à l'oscillateur 80 MHz, ceci dans le but d'améliorer le rapport signal bruit près de la porteuse. En mode FM continue, la carte "Modulations" n'est plus utilisée, la fréquence de 80 MHz modulée en FM continue est générée sur une carte spéciale, par un quartz de 80 MHz modulé en fréquence et multiplié par 10.

- \* La carte "Analogique" permet d'élaborer les fréquences internes nécessaires aux modulations ainsi que le dosage des signaux de modulation AM, FM, FM =, PM, au moyen d'un \*DAC BCD. Elle permet aussi de générer par l'intermédiaire d'un \*DAC logarithmique les pas de 0,1 dB et de 1 dB nécessaires à l'obtention de la référence de niveau RF qui s'interpolent entre les pas de 4 dB de l'atténuateur de sortie. Le module de sortie comporte l'oscillateur de sortie 400 à 580 MHz, son asservissement de phase, son hétérodynage par rapport à la fréquence de 400 MHz, ainsi que toute la chaîne d'amplification de puissance, et la détection et régulation de niveau. Le pilote à quartz fournit un 80 MHz très pur et comporte un diviseur par 8 qui permet d'obtenir le 10 MHz comme référence.

La partie logique du 730A est constituée de deux sous-ensembles, une carte CPU et une carte Face Avant.

L'organisation de la carte CPU est un peu particulière au niveau de l'isolement des BUS. En effet, il faut distinguer trois bus différents dans l'appareil.

- Le bus microprocesseur qui relie ce dernier à ses périphériques et commande à travers des registres le bus instrument.
- le bus IEEE lié au microprocesseur à travers un circuit d'interface 68 488, mais non isolé galvaniquement par rapport au bus microprocesseur.
- Le bus instrument qui commande les différents modules du 730A et qui comporte un isolement galvanique par photocoupleurs.

L'ensemble de la partie logique est flottante et l'isolement est réalisé au niveau du bus instrument. La Face Avant, qui comporte le clavier et les affichages, est liée au microprocesseur à travers un PIA.

\* DAC : Digital Analogical Converter = Convertisseur Numérique Analogique

## CHAPITRE V

## CALIBRATION

Ce chapitre décrit la procédure de calibration d'un appareil en état de fonctionnement et le réétalonnage que l'utilisateur désire faire après une longue utilisation.

Seuls sont donc pris en considération les réglages des circuits de calibration du niveau de sortie et des modulations.

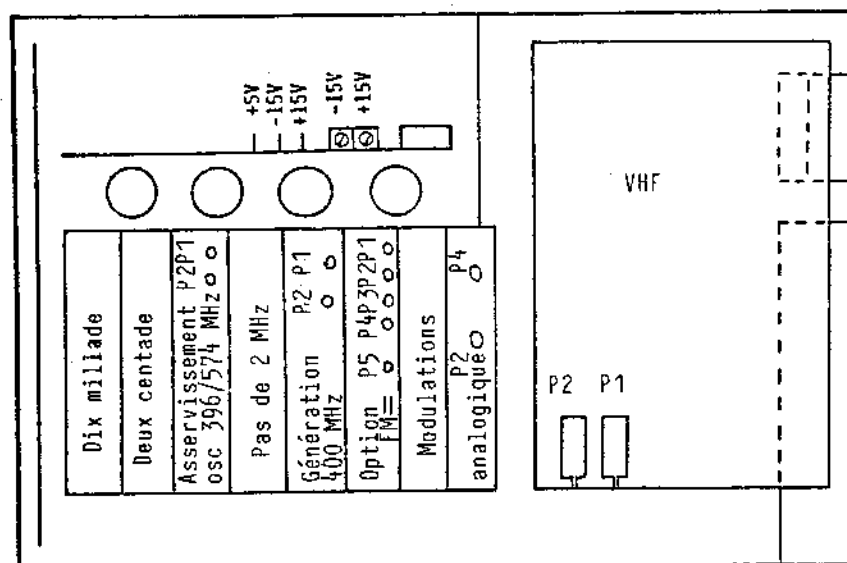
Le schéma suivant donne la localisation des réglages à effectuer représentés en gras.

Les autres réglages sont identifiés mais ne doivent être effectués qu'au cours de la procédure complète de réglage de l'instrument.

Le calage du pilote à quartz est décrit au chapitre III.4.

MATERIEL NECESSAIRE

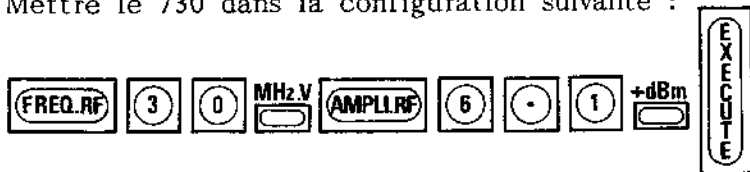
- 1 milliwattmètre précis,
- 1 multimètre,
- 1 modulomètre AM et FM,
- 1 distorsiomètre BF,
- 1 générateur BF à faible distorsion,
- 1 prolongateur de carte.



Localisation des réglages

### Calibration du niveau

- Brancher le milliwattmètre en sortie de l'appareil.
- Mettre le 730 dans la configuration suivante :



- Régler le potentiomètre P2 afin d'afficher + 6,1 dB sur le milliwattmètre.
- Afficher + 19,9 dBm.
- Régler le potentiomètre P1 afin d'afficher + 19,9 dB sur le milliwattmètre.
- Recommencer les mesures jusqu'à ce que le réglage soit parfait.
- Afficher 0 dBm et vérifier que l'on obtient cette valeur à  $\pm 0,2$  dB près. Sinon, retoucher légèrement P2.

### Calibration de la BF extérieure

- Passer en modulation extérieure.
- Brancher sur l'entrée BF ext un générateur BF de faible distorsion ( $< 0,5\%$ ), 0,5 Veff sur 600 ohms exactement.
- Régler le potentiomètre P2 sur la carte analogique afin d'obtenir l'extinction des deux voyants "ext cal".

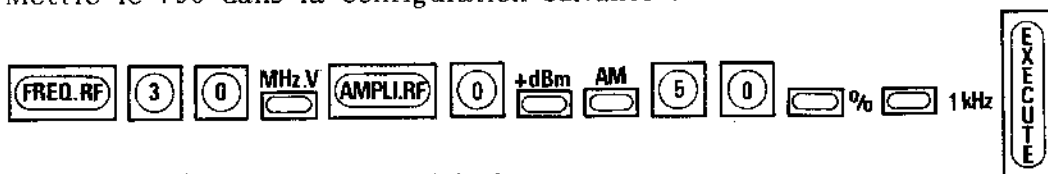
### Calibration de la BF intérieure (mettre la carte analogique sur prolongateur)

Le modulomètre est sur la sortie RF.

- Passer en AM ext calibrée et afficher 50% de taux AM.
- Régler le potentiomètre P4 sur la carte Modulations, pour obtenir 50% exactement.
- Passer en int 1 kHz et régler le potentiomètre P4 afin d'obtenir la même valeur que ci-dessus.

### Calibration de la modulation AM

- Brancher en sortie du 730 un modulomètre AM suivi d'un distorsiomètre.
- Mettre le 730 dans la configuration suivante :

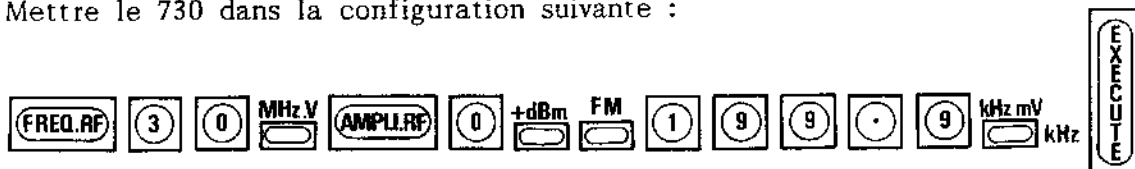


- Afficher 95% de taux de modulation.
- Régler le potentiomètre P1 de la carte 400 MHz afin d'obtenir un minimum de distorsion au distorsiomètre.
- Afficher 80% de taux de modulation.
- Régler le potentiomètre P2 de la carte 400 MHz afin d'obtenir un minimum de distorsion au distorsiomètre.
- Répéter les deux réglages jusqu'à l'obtention du minimum de distorsion pour chacun d'eux.

**Calibration des modulations FM et PM (carte Modulations sur prolongateur)**

Modulation FM

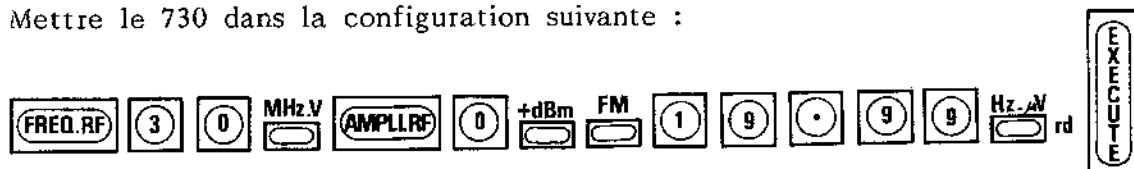
- Mettre le 730 dans la configuration suivante :



- Régler le potentiomètre P2 de la carte Modulations pour obtenir 199,9 kHz de déviation sur le modulomètre.
- Vérifier que la déviation est bonne pour 50 - 100 - 150 kHz.

Modulation PM

- Mettre le 730 dans la configuration suivante :



- Régler le potentiomètre P1 de la carte modulation pour obtenir 19,99 rd de déviation sur le modulomètre.
- Vérifier que la déviation est bonne pour 5 - 10 - 15 rd.

## FICHE DE CALIBRATION 730A

| Désignation                      | consigne             | tolérance | mesure |
|----------------------------------|----------------------|-----------|--------|
| <u>Mesures à 30 MHz :</u>        |                      |           |        |
| Niveau de sortie                 | + 19 dBm             | ± 0,3 dB  |        |
|                                  | + 18 dBm             | ± 0,3 dB  |        |
|                                  | + 17 dBm             | ± 0,3 dB  |        |
|                                  | + 16 dBm             | ± 0,3 dB  |        |
|                                  | + 15 dBm             | ± 0,3 dB  |        |
|                                  | + 14 dBm             | ± 0,3 dB  |        |
|                                  | + 13 dBm             | ± 0,3 dB  |        |
|                                  | + 12 dBm             | ± 0,3 dB  |        |
|                                  | + 11 dBm             | ± 0,3 dB  |        |
|                                  | + 10 dBm             | ± 0,3 dB  |        |
|                                  | + 9 dBm              | ± 0,3 dB  |        |
| + 8 dBm                          | ± 0,3 dB             |           |        |
| + 7 dBm                          | ± 0,3 dB             |           |        |
| + 0 dBm                          | ± 0,2 dB             |           |        |
| Niveau BF ext 1 kHz              |                      |           |        |
| pour extinction voyants          | 0,5 V <sub>eff</sub> | ± 0,5 %   |        |
| Taux de modulation AM. 1 kHz ext | 50%                  | ± 0,5 %   |        |
| 400 Hz ext                       | 80%                  | ± 1 %     |        |
| Taux de modulation AM. 1 kHz int | 50%                  | ± 1 %     |        |
| 400 Hz int                       | 80%                  | ± 1 %     |        |
| Déviatiion FM. 1 kHz int         | 199,9 kHz            | ± 1 %     |        |
| Déviatiion PM. 1 kHz int         | 19,99 rd             | ± 1 %     |        |

## Garantie et Assistance - Warranty and Assistance

Ce produit ADRET ELECTRONIQUE est garanti pour une durée d'un an à compter de la date de livraison.

La garantie s'applique aux appareils ayant subi des dommages mécaniques causés lors de l'expédition en partance de ADRET ELECTRONIQUE ou présentant, à la suite de défaillance d'un élément ou d'un sous-ensemble, des caractéristiques non conformes aux spécifications techniques. Sont toutefois exclus de la garantie les dommages occasionnés par une utilisation anormale de l'instrument.

Le client s'engage, pour sa part, à ne pas intervenir sur le produit pendant la période de garantie sous peine de la perdre définitivement. Le retour et la réexpédition de l'appareil lors d'une opération de maintenance sous garantie sont pris en charge pour moitié par ADRET ELECTRONIQUE.

Passé le délai de garantie, la Société reste bien entendu au service de ses clients en leur offrant son concours pour toutes éventuelles opérations de maintenance.

Pour tous renseignements complémentaires, veuillez contacter votre représentant ADRET le plus proche, les coordonnées de nos principaux agents étant données dans le tableau ci-dessous.

The ADRET ELECTRONIQUE product is guaranteed for a period of one year from the date of delivery.

The warranty applies to equipment with mechanical damage sustained during shipping from ADRET ELECTRONIQUE, or failing to conform to the technical specification due to faulty components of sub-assemblies. The warranty does not cover damage caused by incorrect use of the instrument.

The client for his part undertakes not to interfere with the equipment during the warranty period, failing which the warranty is rendered void. One half of the cost of returning and re-shipping the equipment for maintenance under warranty will be met by ADRET ELECTRONIQUE.

After expiry of the warranty period, the Company will of course remain at the service of its customers and will offer its help to them for any maintenance work that may be necessary.

For any further information, please contact your nearest ADRET representative. The addresses of our main agents are given in the table below.

## Réseau commercial ADRET - ADRET commercial network

### FRANCE

**Société BASCOUL ELECTRONIQUE**  
31200 TOULOUSE - 35, rue du lucher  
Tél : 61 48 99 29 - Télex : 521 508  
33600 BORDEAUX PESSAC - 76 Avenue Pasteur  
Tél : 56 45 01 90 - Télex : 541 720

**Société DIMEL** Immeuble "Le Marino"  
83000 TOULON - Avenue Claude Farrère  
Tél : 94 41 49 63 - Télex 430 093

**JCF ELECTRONIQUE**  
74019 ANNECY CEDEX - Annecy le Vieux - BP 964  
Tél : 50 23 63 64 - Télex : 385 417

**Société SOREDIA**  
"Les Guittrais" - Chatillon sur Seiche  
35015 RENNES CEDEX - BP 1413  
Tél : 99 50 50 29 - Télex : 950 359

0438 1036 08

### AFRIQUE DU SUD - SOUTH AFRICA

**K.B.A. INSTRUMENTATION PTY**  
P O BOX 41062 - Avenue Sandton 2199  
CRAIGHALL TRANVAAL 2024  
Tél : (11) 788 1700/05 - Télex : 422 033

### ALLEMAGNE - GERMANY

**S.P.E.A. GmbH**  
D 6302 LICH 1 - Giessener Straße 27  
Tél : (64) 04 20 69 Code 299 - Télex : 482 890

### ARGENTINE - ARGENTINA

**RAYO ELECTRONICA**  
1092 BUENOS AIRES - Belgrano 990  
Tél : (01) 381779 - Télex : 22153