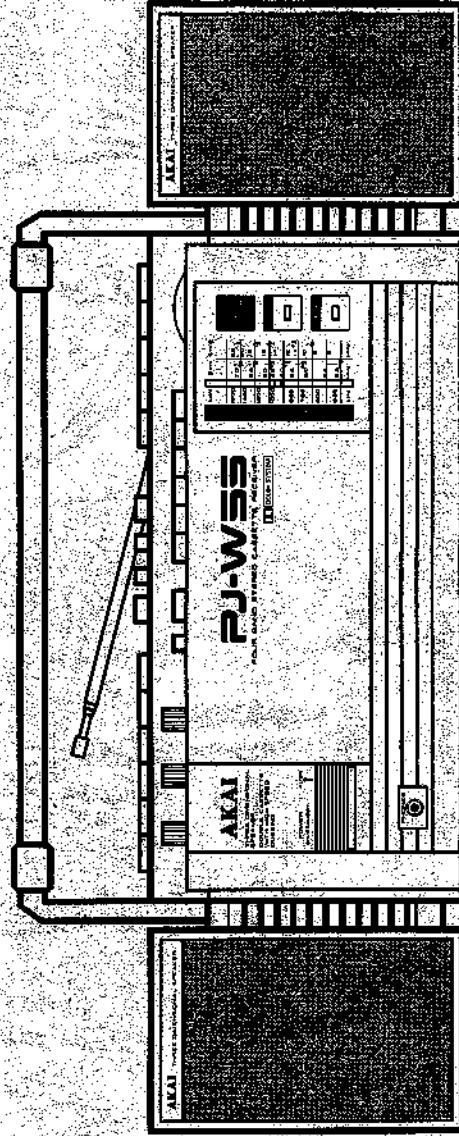
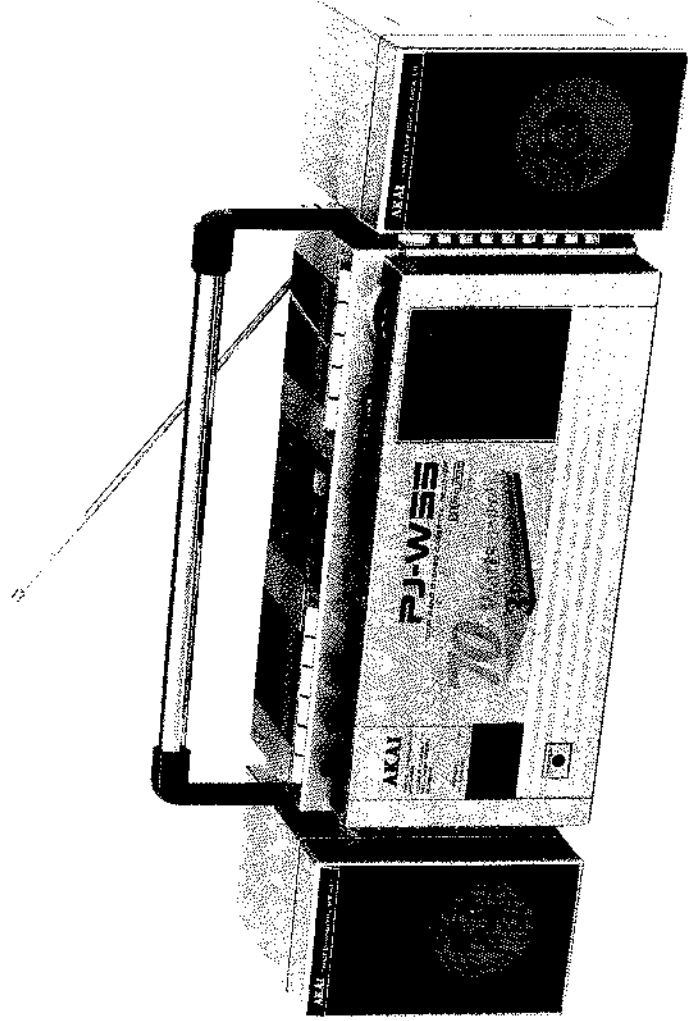


PJ-W55
FS/FU/FL

AKAI SERVICE MANUAL



FOUR BAND STEREO CASSETTE RECEIVER
MODEL PJ-W55 FS / FU / FL



FOUR STEREO CASSETTE RECEIVER

MODEL PJ-W55 FS

SECTION 1 SERVICE MANUAL.....	3
SECTION 2 PARTS LIST.....	19

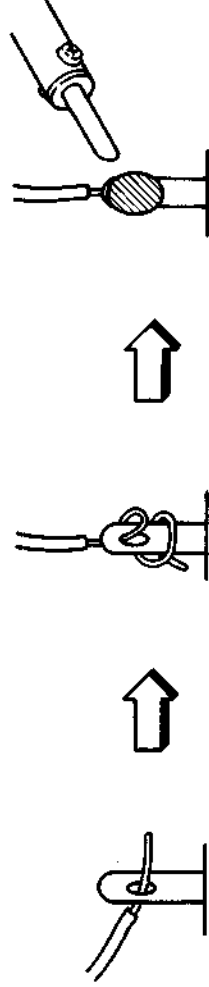
SAFETY INSTRUCTIONS

SAFETY CHECK AFTER SERVICING

Confirm the specified insulation resistance between power cord plug prongs and externally exposed parts of the set is greater than 10 Mohms, but for equipment with external antenna terminals (tuner, receiver, etc.) and is intended for [C] or [A], specified insulation resistance should be more than 2.2 Mohms (ground terminals, microphone jacks, headphone jacks, line-in-out jacks etc.)

PRECAUTIONS DURING SERVICING

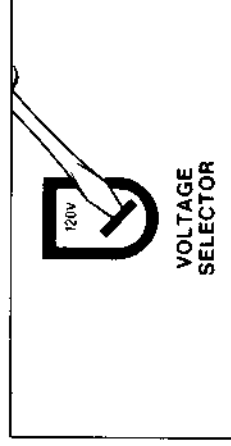
1. Parts identified by the Δ symbol parts are critical for safety.
Replace only with parts number specified.
2. In addition to safety, other parts and assemblies are specified for conformance with such regulations as those applying to spurious radiation. These must also be replaced only with specified replacements.
Examples: RF converters, tuner units, antenna selector switches, RF cables, noise blocking capacitors, noise blocking filters, etc.
3. Use specified internal wiring. Note especially:
 - 1) Wires covered with PVC tubing
 - 2) Double insulated wires
 - 3) High voltage leads
4. Use specified insulating materials for hazardous live parts. Note especially:
 - 1) Insulation Tape
 - 2) PVC tubing
 - 3) Spacers (Insulating Barriers)
 - 4) Insulation sheets for transistors
 - 5) Plastic screws for fixing microswitch (especially in turntable)
5. When replacing AC primary side components (transformers, power cords, noise blocking capacitors, etc.), wrap ends of wires securely about the terminals before soldering.



6. Observe that wires do not contact heat producing parts (heatsinks, oxide metal film resistors, fusible resistors, etc.).
7. Check that replaced wires do not contact sharp edged or pointed parts.
8. Also check areas surrounding repaired locations.
9. Use care that foreign objects (screws, solder droplets, etc.) do not remain inside the set.

VOLTAGE CONVERSION

Models for Canada, Europe, UK and Australia are not equipped with this facility. Each machine is preset at the factory according to destination, but some machines can be set to 110V - 120V or 220V - 240V, 120V or 230V as required. If your machine's voltage can be converted: Turn the voltage selector, located on the back panel, with a screwdriver until the correct voltage is indicated.



SECTION I

SERVICE MANUAL

TABLE OF CONTENTS

I. SPECIFICATIONS	4
II. DISMANTLING OF UNIT	5
III. CONTROLS	6
IV. PRINCIPAL PARTS LOCATION.....	7
V. MECHANICAL ADJUSTMENT	8
1. TAPE SPEED ADJUSTMENT	8
2. REC/PB HEAD AZIMUTH ALIGNMENT	8
VI. AMPLIFIER ADJUSTMENT	9
1. BIAS ADJUSTMENT	9
VII. REPLACEMENT OF THE DIAL CORD.....	10
VIII. TUNER ADJUSTMENT	11
1. THE INSTRUMENT CONNECTIONS.....	11
2. PJ-W55FS/FU RADIO PC BOARD ADJUSTMENT POINTS	12
3. FM ADJUSTMENT	13
4. MW (AM) ADJUSTMENT (for PJ-W55FS/FU).....	14
5. SW ADJUSTMENT (for PJ-W55FS/FU)	15
6. PJ-W55FL RADIO PC BOARD ADJUSTMENT POINTS.....	16
7. FM ADJUSTMENT (for PJ-W55FL).....	17
8. MW ADJUSTMENT (for PJ-W55FL).....	17
9. LW ADJUSTMENT (for PJ-W55FL).....	17
10. SW ADJUSTMENT (for PJ-W55FL)	18

I. SPECIFICATIONS

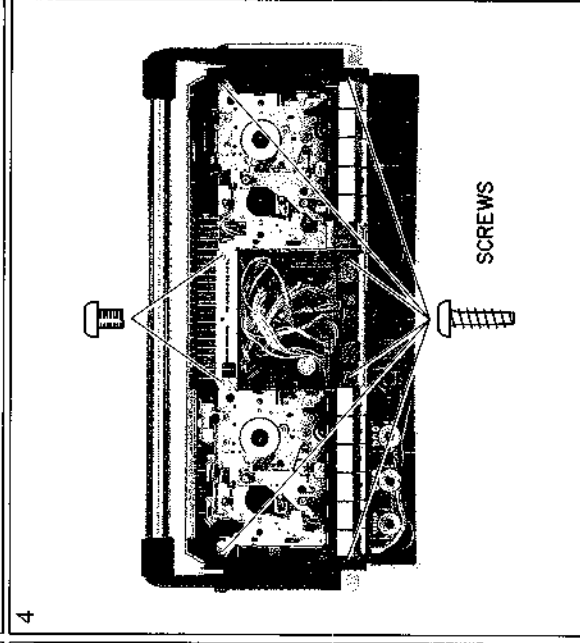
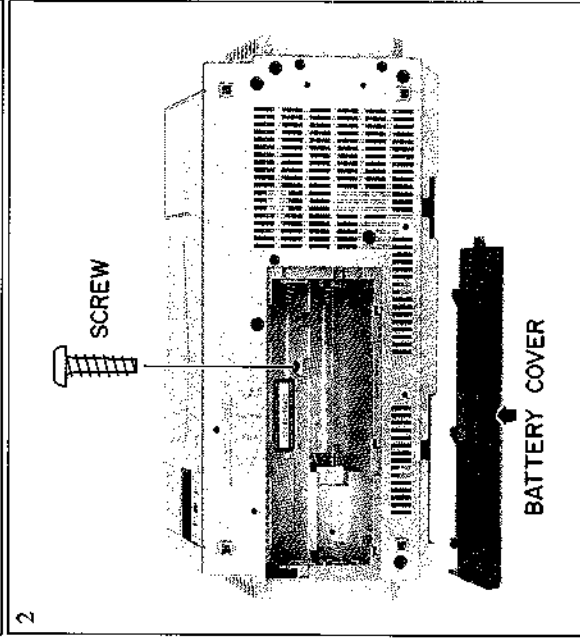
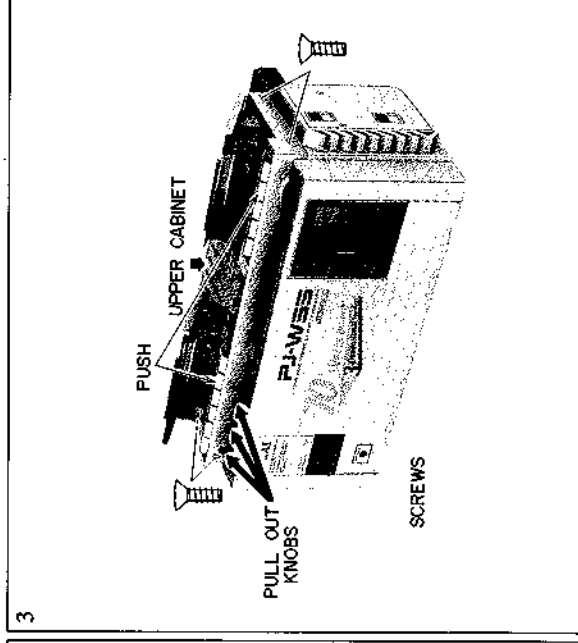
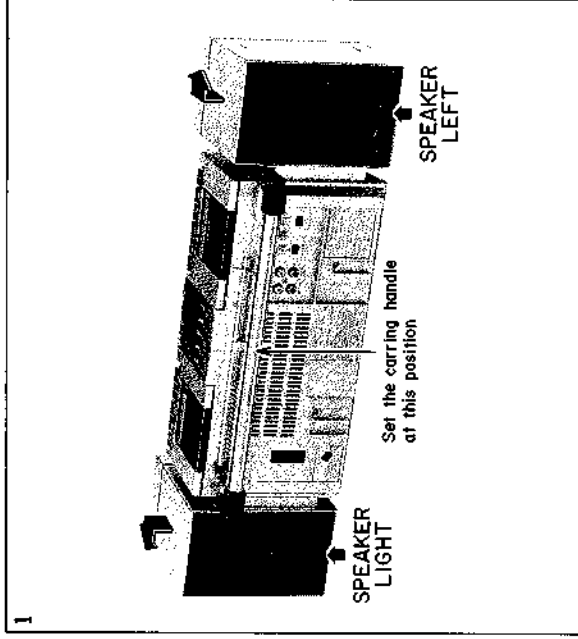
4 band Stereo DOUBLE cassette receiver	
TYPE	PJ-W55FL
FREQUENCY RANGE	PJ-W55FS/FU
FM	87.6 MHz to 108 MHz
MW	530 kHz to 1,605 kHz
LW	-
SW	-
SW1	3.0 MHz to 8.0 MHz
SW2	8.0 MHz to 22.0 MHz
SPEAKER SYSTEM	Three dimensional speaker system (2 way and passive radiator at rear) Tweeter: Flat diaphragm 39 mm x 2 Woofer: Cone type 92 mm x 2 Passive radiator: Cone type 87 mm x 2
POWER OUTPUT PEAK MUSIC POWER	
Peak music power output	70W (Total)
Maximum power output	30W (Total)
Rated power output	10W + 10W (EIAJ, 4 ohms)
FTC power output	7.0W per channel, min. RMS, at 4 ohms from 70Hz to 20kHz, with no more than 10% total harmonic distortion
WOW & FLUTTER	0.08% WRMS (JIS)
FREQUENCY RESPONSE	Metal: 50Hz to 16,000 Hz Normal: 50Hz to 13,000 Hz
S/N	Better than 50dB (Dolby NR on: Improves up to 10dB above 5kHz)
GENERAL	
POWER REQUIREMENTS	DC power source 12V (eight SUM-1, D, R20 or equivalent sized batteries) AC power source 120V, 60Hz for USA and Canada 220V, 50Hz for Europe except UK 240V, 50Hz for UK and Australia 110V to 120V/220V to 240V, 50Hz/60Hz convertible for other countries.
DIMENSIONS	Total: 538(W) x 165(H) x 187(D) mm (21.2 x 7.4 x 6.5 inches) Cassette receiver: 328(W) x 165(H) x 187(D) mm (12.9 x 7.4 x 6.5 inches) Speaker: 105(W) x 163.5(H) x 152(D) mm (4.1 x 6.4 x 6.0 inches)
WEIGHT	Total: 7.0 kg (15.4 lbs) Cassette receiver: 4.5 kg (9.9 lbs) Speaker: 1.25 kg (2.75 lbs)

* For improvement purposes, specifications and design are subject to change without notice.

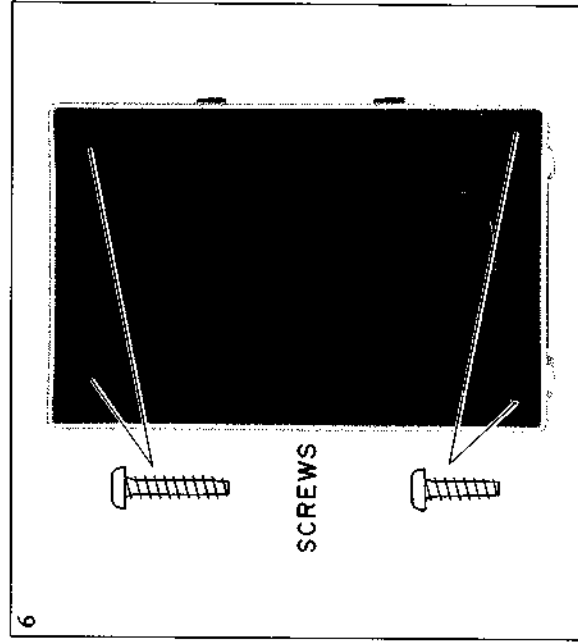
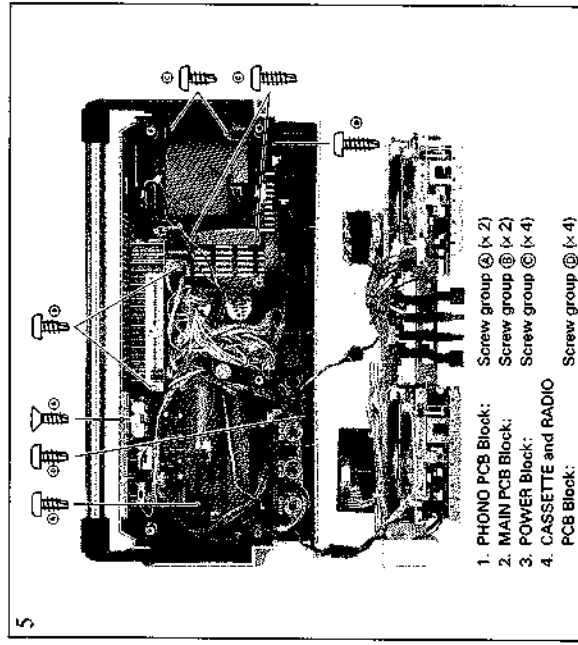
* Noise reduction manufactured under license from Dolby Laboratories Licensing Corporation. "Dolby" and the Double-D symbol are trade marks of the Dolby Laboratories Licensing Corporation.

II. DISMANTLING OF UNIT

In case of trouble, etc. necessitating dismantling, please dismantle in the order shown in the photographs. Reassemble in reverse order.



How to disassemble each block
(PHONO PCB Block, MAIN PCB Block, POWER Block,
CASSETTE and RADIO PCB Block)



III. CONTROLS

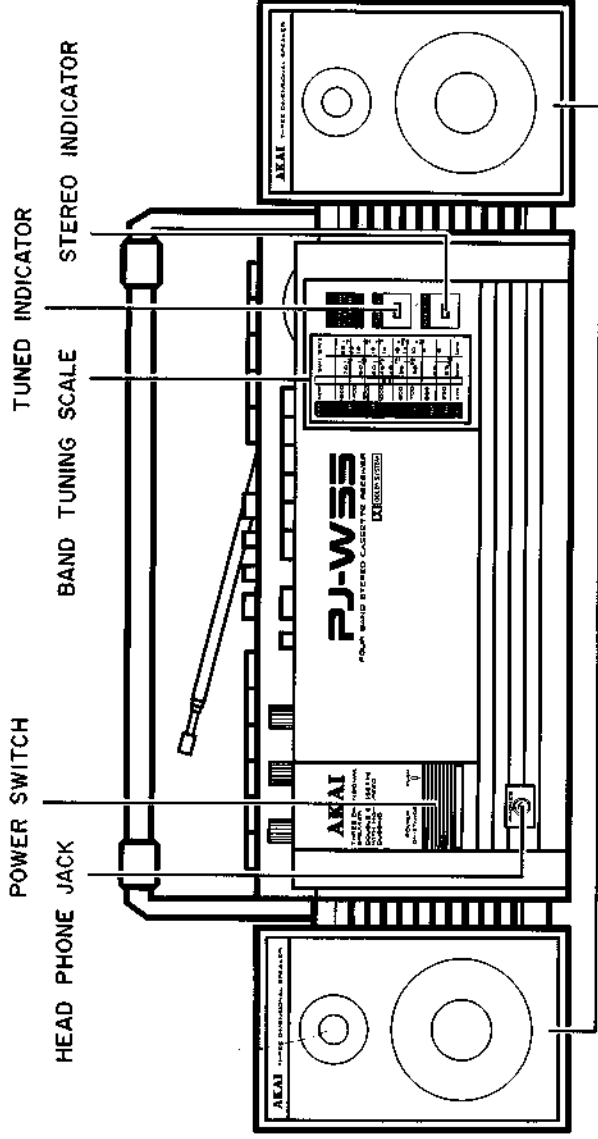


Fig. 3-1 Front View

THREE DIMENSIONAL SPEAKER SYSTEM
(2 WAY and PASSIVE RADIATOR AT REAR)

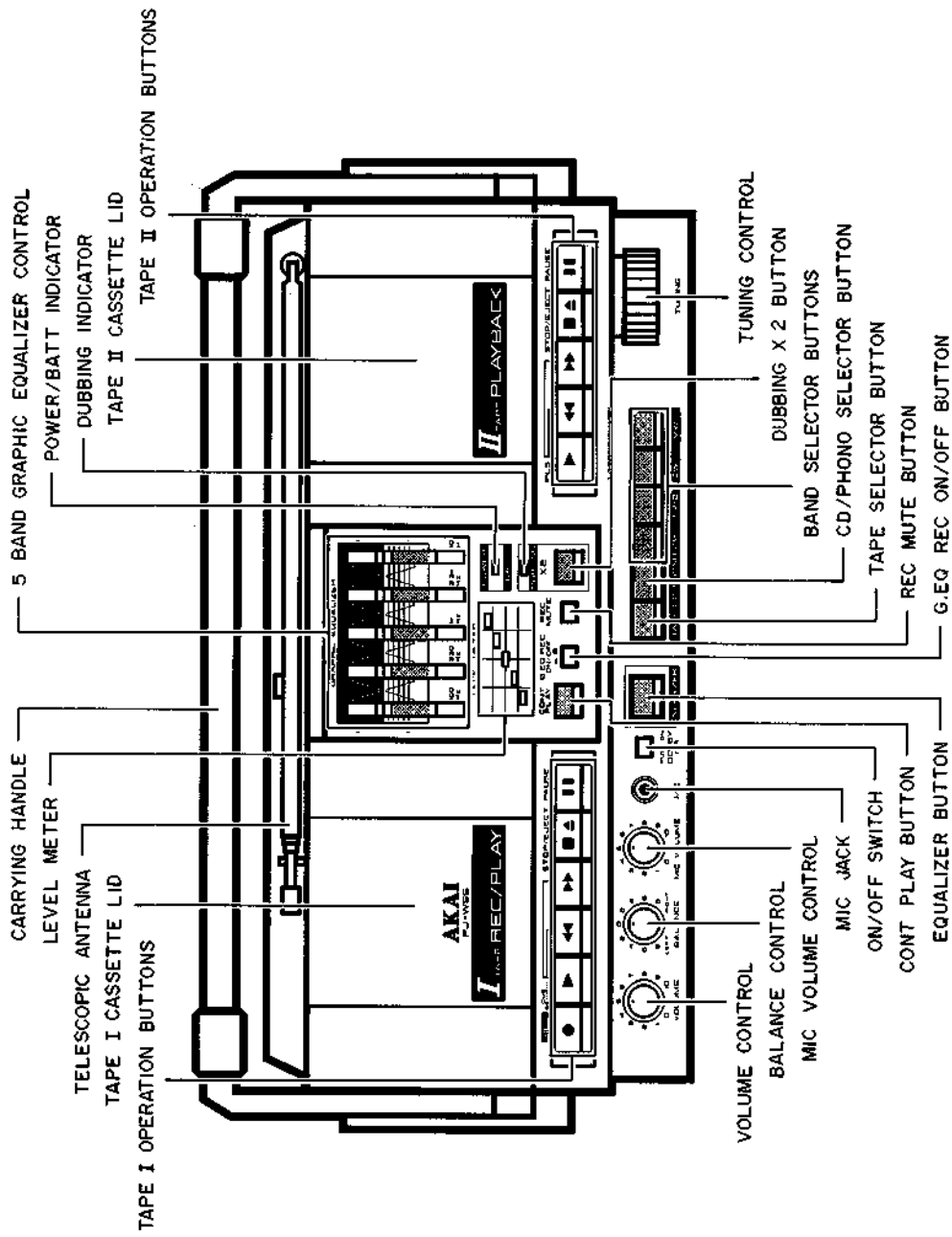


Fig. 3-2 Top View

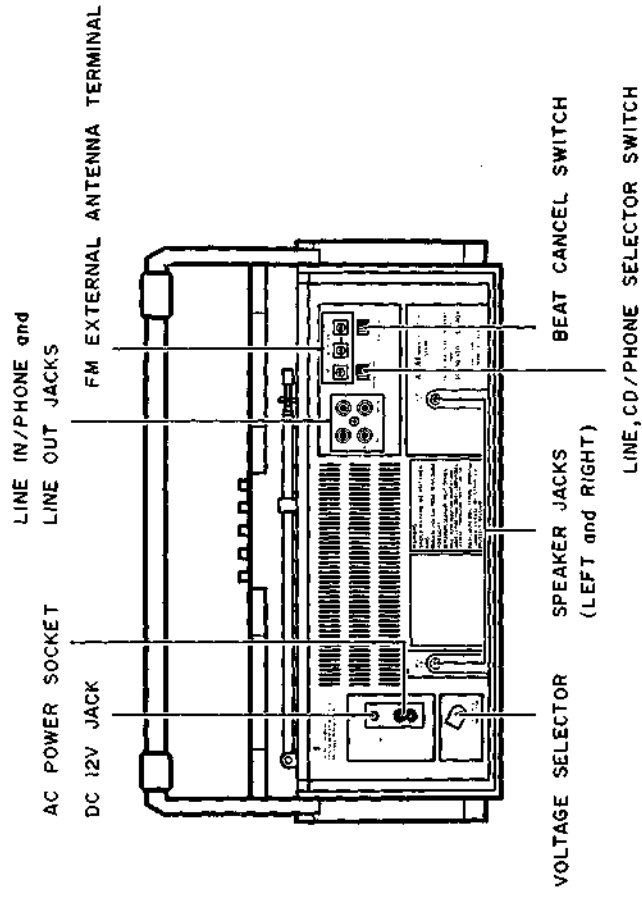


Fig. 3-3 Rear View

IV. PRINCIPAL PARTS LOCATION

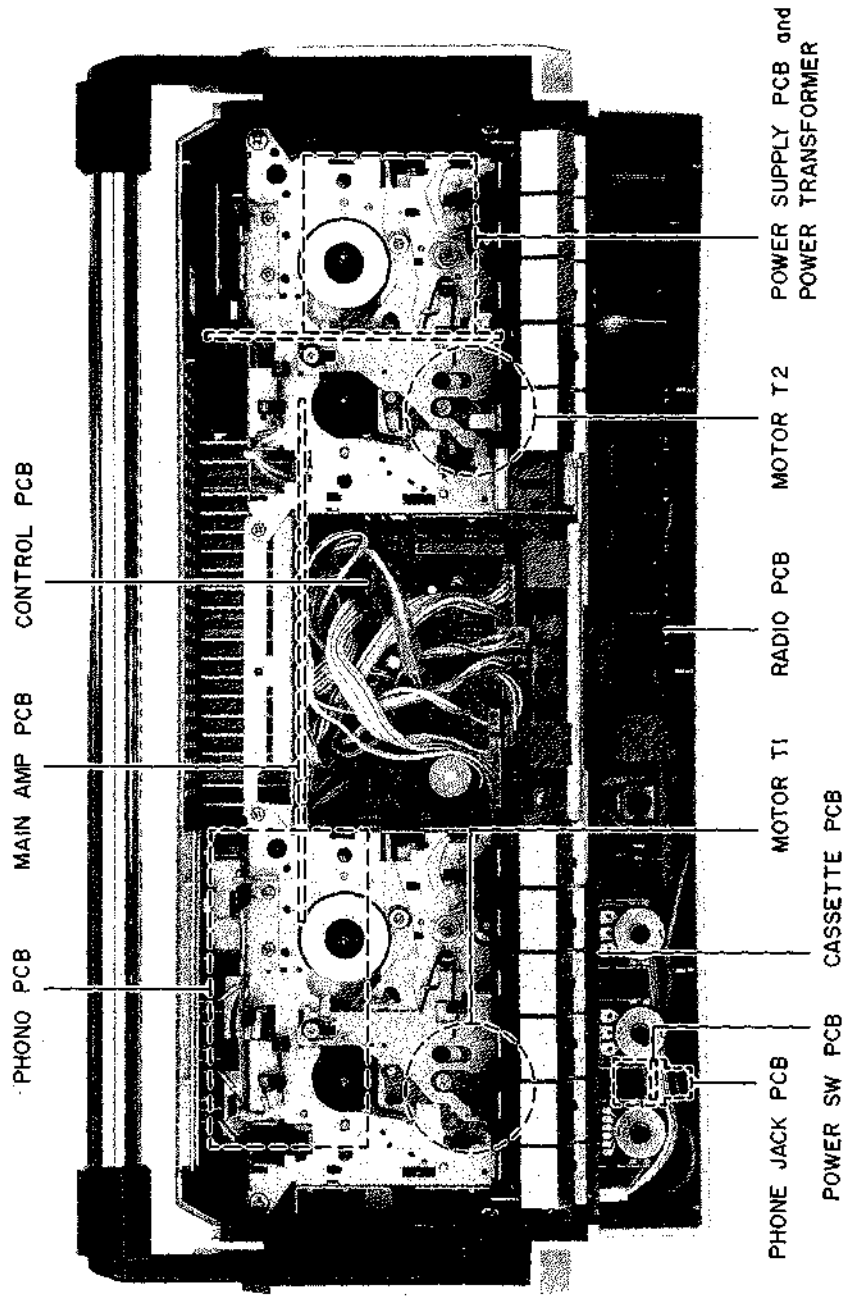


Fig. 4-1 Top View

V. MECHANICAL ADJUSTMENT

5-1. TAPE SPEED ADJUSTMENT

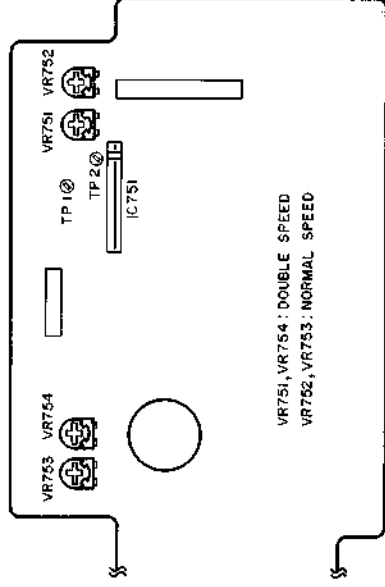


Fig. 5-1 Tape Speed Adjustment Points

TAPE SPEED ADJUSTMENT

- 1) Connect a frequency counter to **LINE OUTPUT**.

For the **TAPE II** section

- 2) Playback a 3150 Hz pre-recorded Test Tape (AT-751263) and adjust the Tape Speed Adjustment VR752 to obtain a tape speed of 3180 Hz.
- 3) Set to Double Speed mode by connecting the wire between TP1 and TP2 (GND).
- 4) Adjust the Tape Speed Adjustment VR751 to obtain a tape speed of 6360 Hz.
- 5) Disconnect the wire from TP1 and TP2.

For the **TAPE I** section

- 6) Playback a 3150 Hz pre-recorded Test Tape (AT-751263) and adjust the Tape Speed Adjustment VR753 to obtain a tape speed of 3150 Hz.
- 7) Set to Double Speed mode by connecting the wire between TP1 and TP2 (GND).
- 8) Adjust the Tape Speed Adjustment VR754 to obtain a tape speed of 6300 Hz.
- 9) Disconnect the wire from TP1 and TP2.

5-2. REC/PB HEAD AZIMUTH ALIGNMENT

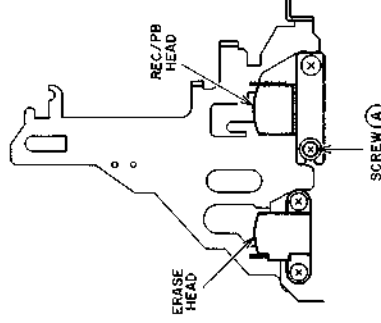


Fig. 5-2 Top View of the Heads

- 1) Playback a 10 kHz Azimuth Alignment tape (AT-750778) and adjust the screw (A) until the output levels of both channels are maximum.
After adjustment, paint lock the screw (A).

NOTE:

1. Be sure to clean the heads prior to head adjustment.
2. Be careful not to use a magnetized driver or other magnetized tools in the vicinity of the heads.
3. Be sure to demagnetize the heads with a Head Demagnetizer before and after head adjustment.

VI. AMPLIFIER ADJUSTMENT

6-1. BIAS ADJUSTMENT

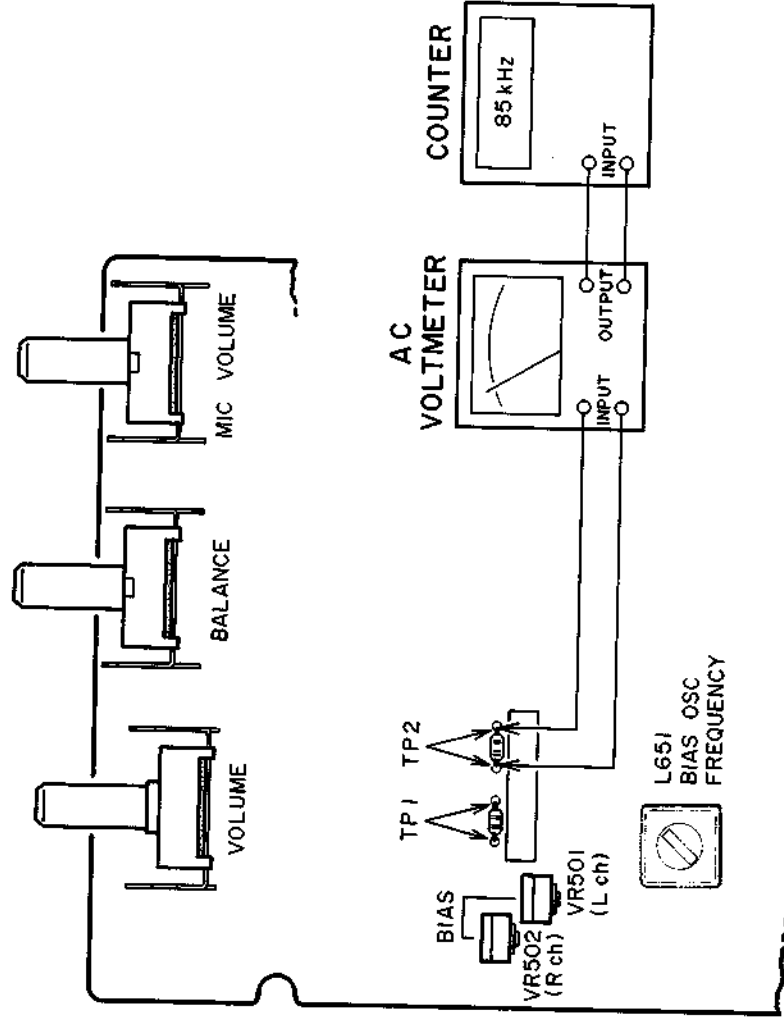


Fig. 6-1 Bias Adjustment Point

Step	Adjustment Item	Test Tape & Supply Signal	Mode	Adjustment Part	Result	Remarks
1	BIAS OSC Frequency	METAL TAPE SET	REC	L651	85 kHz ± 0.1 kHz	<ul style="list-style-type: none"> <input type="radio"/> Set BEAT CANCEL SW to 1. <input type="radio"/> Connect Frequency counter to TP1 or TP2
2	BIAS	NORMAL BLANK TAPE 1 kHz, 10 kHz -30 dBm	REC/ P.B	VR501 (Lch) VR502 (Rch)	1 kHz, 10 kHz Flat ± 0.5 dBm	<ul style="list-style-type: none"> <input type="radio"/> PHONO/LINE, CD SELECTOR SW to LINE, CD. <input type="radio"/> When RECORDING INPUT SELECTOR to CD/PHONO. <input type="radio"/> When Play Back, INPUT SELECTOR to TAPE. <input type="radio"/> See NOTE 2

NOTE: 1. Use the following cassette measuring tapes.

Normal tape: MAXELL UD C-60

Metal tape : TDK MD C-60

2. The confirmation of Metal position level should be made.

VII. REPLACEMENT OF THE DIAL CORD

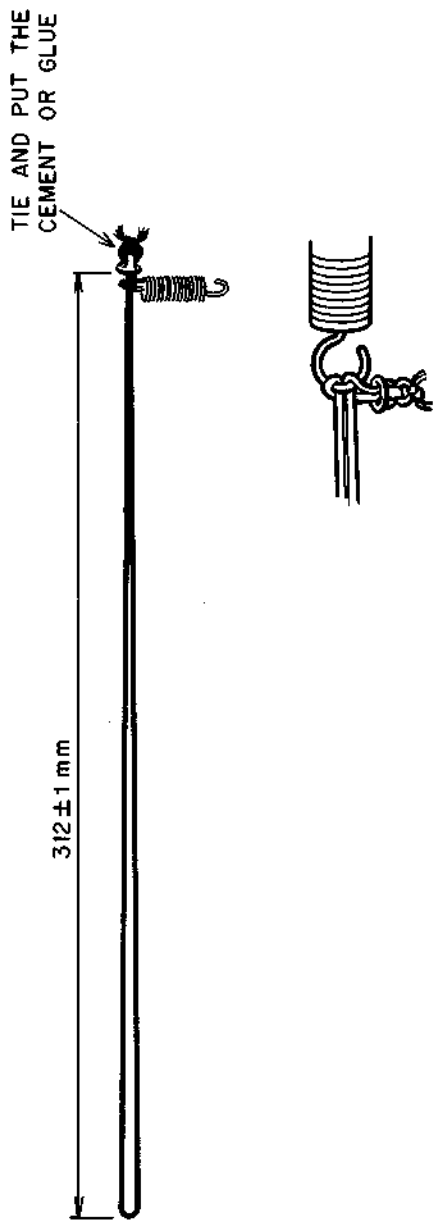


Fig. 7-1.

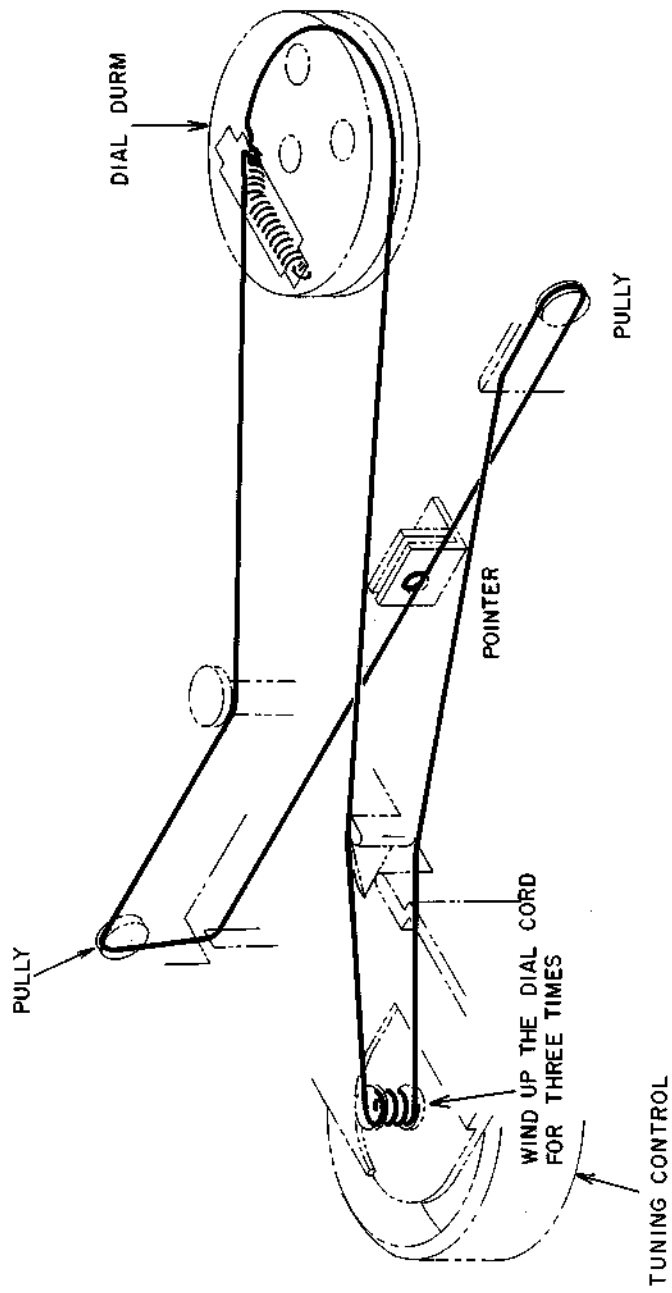


Fig. 7-2.

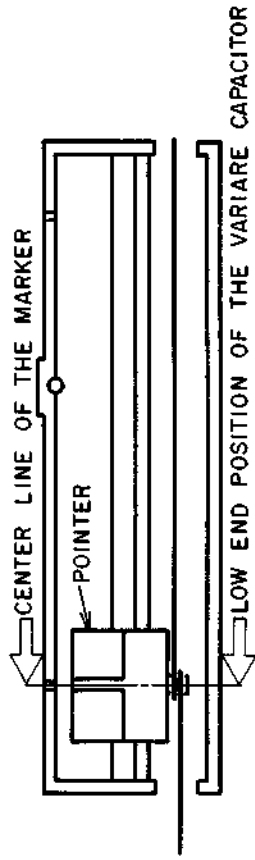


Fig. 7-3

1. Build a Dial Cord as shown in Fig. 7-1.
 2. Turn the Dial Drum counterclockwise fully.
 3. Set the Dial Cord as shown in Fig. 7-2.
- POINT ADJUSTMENT
- Turn the tuning control to low end, then set the pointer, to low end point as shown in Fig. 7-3.

VIII. TUNER ADJUSTMENT

8-1. THE INSTRUMENT CONNECTIONS

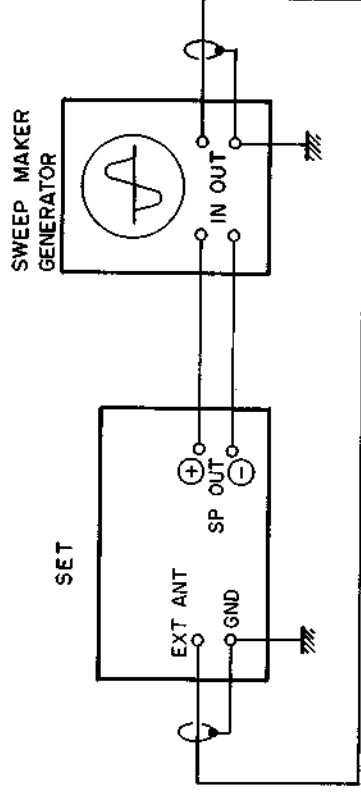


Fig. 8-1 FM IF Adjustment

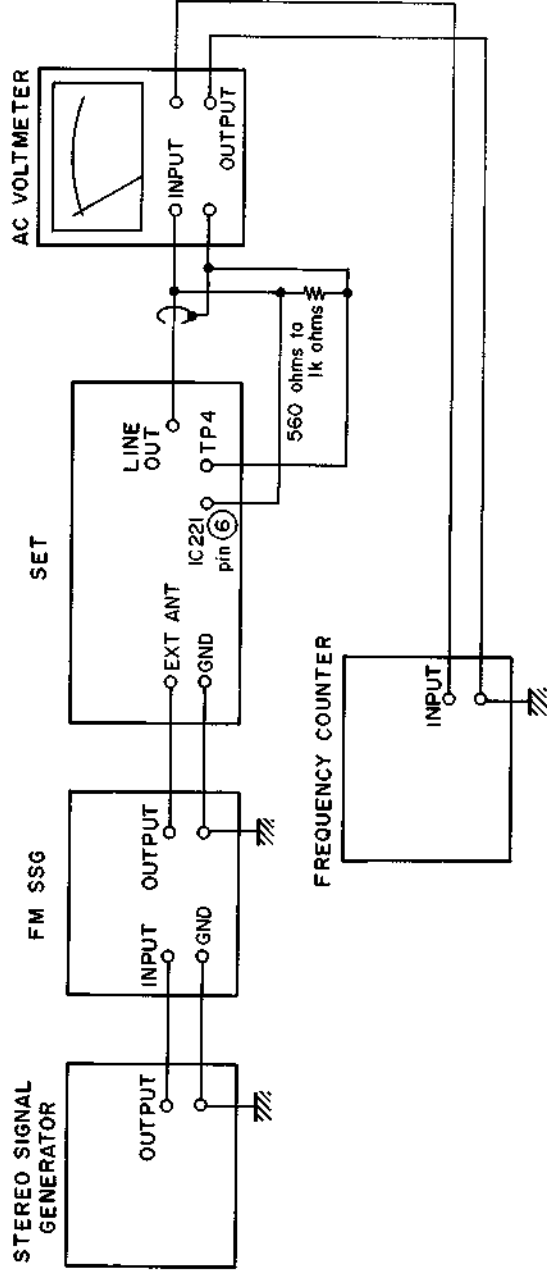


Fig. 8-2 FM Adjustment and Stereo Adjustment

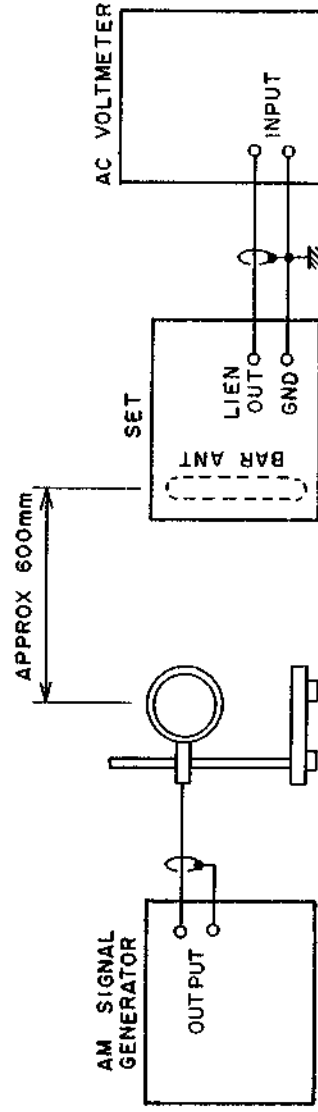


Fig. 8-3 MW, LW Adjustment

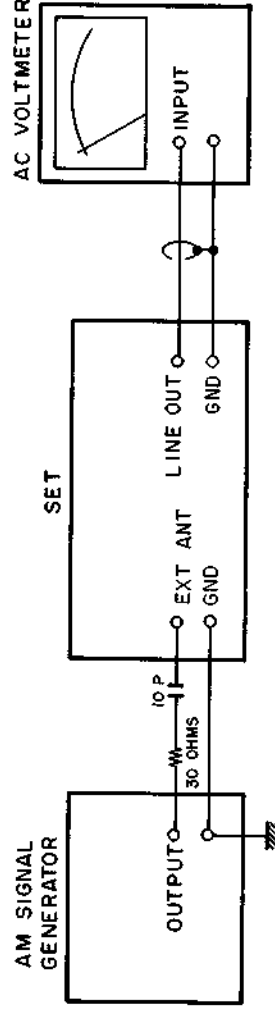


Fig. 8-4 SW Adjustment

8-2. PJ-W55FS/FU RADIO PC BOARD ADJUSTMENT POINTS

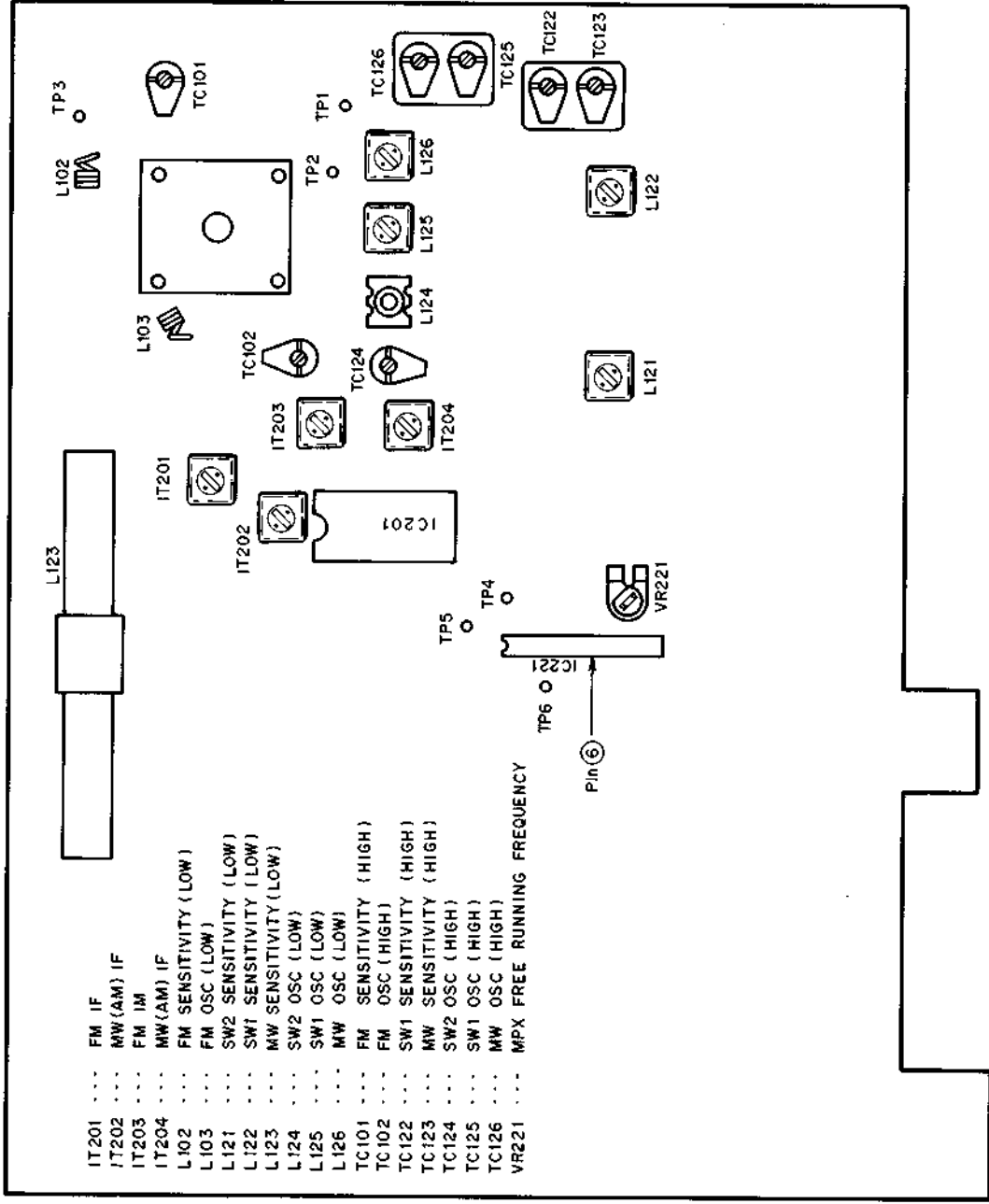
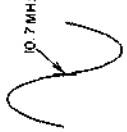


Fig. 8-5 Adjustment Points

8-3. FM ADJUSTMENT (for PJ-W55FS/FU)

NOTE:

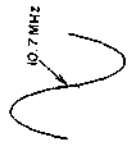
1. Set the S.S.G. to 75 kHz deviation, 1 kHz for C.A.U.S. models 40 kHz deviation, 1 kHz for B.E.V. models.
2. Confirm that the sensitivity margin between Low and High Range sensitivities is within 3 dB μ , otherwise readjust Low and High Range sensitivities.
3. 0 dB μ = 1 μ V.
4. Set BAND SELECTOR to FM.

Step	Adjustment Item	SSG FREQ/ATT	SET TUNING	Adjustment Part	Result	Remarks
1	FM IF	10.7 MHz 60 dB μ	SET TO LOW END	IT201 IT203	 Maximum S Curve waveform (Upper waveform symmetricity)	
2	FM OSC (LOW)	87.3 MHz 60 dB μ	SET TO LOW END	L103	Maximum output	
3	FM OSC (HIGH)	109 MHz 60 dB μ	SET TO HIGH END	TC102	Maximum output	
4	For best result, repeat steps 2 and 3 two or three times.					
5	SENSITIVITY (LOW)	90.0 MHz 60 dB μ	90.0 MHz	L102	Maximum output	
6	SENSITIVITY (HIGH)	106 MHz 60 dB μ	106 MHz	TC101	Maximum output	
7	For best result, repeat steps 5 and 6 two or three times.					
8	MPX Free Running Frequency	106 MHz 60 dB μ	106 MHz	VR221	38 kHz \pm 0.1 kHz	Connect a Frequency counter between Pin 6 of IC221 and TP4 (GND).

8-3. FM ADJUSTMENT (for PJ-W55FS/FU)

NOTE:

1. Set the S.S.G. to 75 kHz deviation, 1 kHz for C.A.U.S. models 40 kHz deviation, 1 kHz for B.E.V. models.
2. Confirm that the sensitivity margin between Low and High Range sensitivities is within 3 dB μ , otherwise readjust Low and High Range sensitivities.
3. 0 dB μ = 1 μ V.
4. Set BAND SELECTOR to FM.

Step	Adjustment Item	SSG FREQ/ATT	SET TUNING	Adjustment Part	Result	Remarks
1	FM IF	10.7 MHz 60 dB μ	SET TO LOW END	IT201 IT203	 10.7 MHz Maximum S Curve waveform (Upper waveform symmetricity)	
2	FM OSC (LOW)	87.3 MHz 60 dB μ	SET TO LOW END	L103	Maximum output	
3	FM OSC (HIGH)	109 MHz 60 dB μ	SET TO HIGH END	TC102	Maximum output	
4	For best result, repeat steps 2 and 3 two or three times.					
5	SENSITIVITY (LOW)	90.0 MHz 60 dB μ	90.0 MHz	L102	Maximum output	
6	SENSITIVITY (HIGH)	106 MHz 60 dB μ	106 MHz	TC101	Maximum output	
7	For best result, repeat steps 5 and 6 two or three times.					
8	MPX Free Running Frequency	106 MHz 60 dB μ	106 MHz	VR221	38 kHz \pm 0.1 kHz	Connect a Frequency counter between Pin 6 of IC221 and TP4 (GND).

8-4. MW (AM) ADJUSTMENT (for PJ-W55FS/FU)

NOTE:

1. Set the S.S.G. to 30% 400 Hz of each.
2. Confirm that the sensitivity margin between Low and High Range sensitivities is within 6 dB μ , otherwise readjust Low and High Range sensitivities.
3. Set BAND SELECTOR to MW.

Step	Adjustment Item	SSG FREQ	SET TUNING	Adjustment Part	Result	Remarks
1	AM IF	455 kHz	SET TO LOW END	IT202 IT204	Maximum output	
2	MW OSC (LOW)	510 kHz	SET TO LOW END	L126	Maximum output	
3	MW OSC (HIGH)	1650 kHz	SET TO HIGH END	TC126	Maximum output	
4	For best result, repeat steps 2 and 3 two or three times.					
5	SENSITIVITY (LOW)	600 kHz	600 kHz	L123	Maximum output	
6	SENSITIVITY (HIGH)	1400 kHz	1400 kHz	TC123	Maximum output	
7	For best result, repeat steps 5 and 6 two or three times.					

8-5. SW ADJUSTMENT (for PJ-W55FS/FU)

NOTE:

1. Set the S.S.G. to 30% 400 Hz of each.
2. Confirm that the sensitivity margin between Low and High Range sensitivities is within 6 dB μ , otherwise readjust Low and High Range sensitivities.
3. Set BAND SELECTOR to SW1 or SW2.

Step	Adjustment Item	SSG FREQ	SET TUNING	Adjustment Part	Result	Remarks
1	SW1 OSC (LOW)	2.25 MHz	SET TO LOW END	L125	Maximum output	○ Set BAND SELECTOR to SW1.
2	SW1 OSC (HIGH)	7.7 MHz	SET TO HIGH END	TC125	Maximum output	
3	For best result, repeat steps 1 and 2 two or three times.					
4	SW1 SENSITIVITY (LOW)	3.0 MHz	3.0 MHz	L122	Maximum output	
5	SW1 SENSITIVITY (HIGH)	7.0 MHz	7.0 MHz	TC122	Maximum output	
6	For best result, repeat steps 4 and 5 two or three times.					
7	SW2 OSC (LOW)	7.35 MHz	SET TO LOW END	L124	Maximum output	○ Set BAND SELECTOR to SW2.
8	SW2 OSC (HIGH)	22.5 MHz	SET TO HIGH END	TC124	Maximum output	
9	For best result, repeat steps 7 and 8 two or three times.					
10	SW2 SENSITIVITY (LOW)	9.0 MHz	9.0 MHz	L121	Maximum output	

8-6. PJ-W55 FL RADIO PC BOARD ADJUSTMENT POINTS

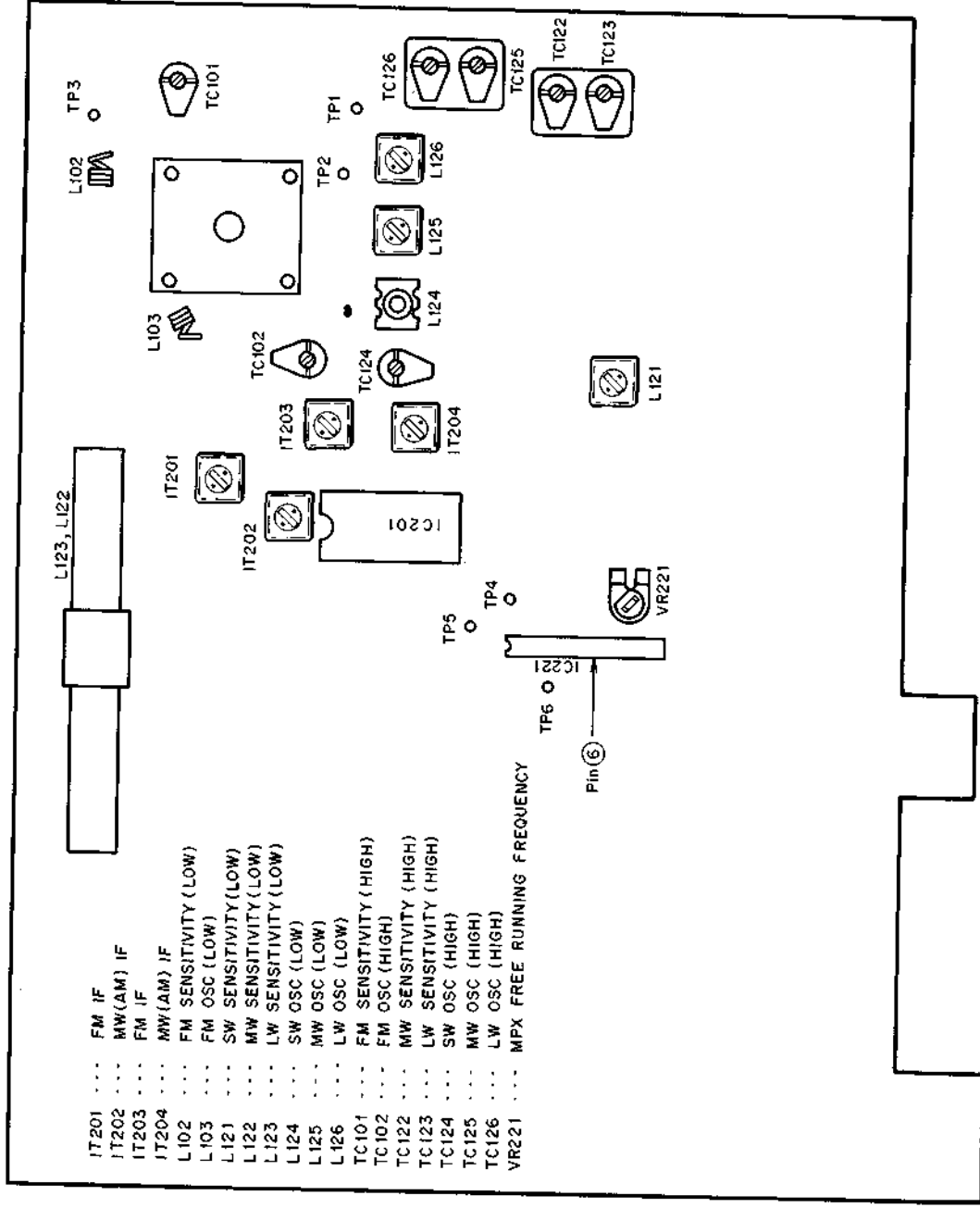


Fig. 8-6 Adjustment Points

8-7. FM ADJUSTMENT (for PJ-W55FL)

Refer to item 8-3 FM ADJUSTMENT.

8-8. MW (AM) ADJUSTMENT (for PJ-W55FL)

NOTE:

1. Set the S.S.G. to 30% 400 Hz of each.
2. Confirm that the sensitivity margin between Low and High Range sensitivities is within 6 dB μ , otherwise readjust Low and High Range sensitivities.
3. Set BAND SELECTOR to MW.

Step	Adjustment Item	SSG FREQ	SET TUNING	Adjustment Part	Result	Remarks
1	AM IF	460 kHz	SET TO LOW END	IT202 IT204	Maximum output	
2	MW OSC (LOW)	510 kHz	SET TO LOW END	L125	Maximum output	
3	MW OSC (HIGH)	1650 kHz	SET TO HIGH END	TC125	Maximum output	
4	For best result, repeat steps 2 and 3 two or three times.					
5	SENSITIVITY (LOW)	600 kHz	600 kHz	L122	Maximum output	
6	SENSITIVITY (HIGH)	1400 kHz	1400 kHz	TC122	Maximum output	
7	For best result, repeat steps 5 and 6 two or three times.					

8-9. LW ADJUSTMENT (for PJ-W55FL)

NOTE:

1. Set the S.S.G. to 30% 400 Hz of each.
2. Confirm that the sensitivity margin between Low and High Range sensitivities is within 6 dB μ , otherwise readjust Low and High Range sensitivities.
3. Set BAND SELECTOR to LW.

Step	Adjustment Item	SSG FREQ	SET TUNING	Adjustment Part	Result	Remarks
1	LW OSC (LOW)	145 kHz	SET TO LOW END	L126	Maximum output	
2	LW OSC (HIGH)	295 kHz	SET TO HIGH END	TC126	Maximum output	
3	For best result, repeat steps 1 and 2 two or three times.					
4	LW SENSITIVITY (LOW)	160 kHz	160 kHz	L123	Maximum output	
5	LW SENSITIVITY (HIGH)	250 kHz	250 kHz	TC123	Maximum output	
6	For best result, repeat steps 4 and 5 two or three times.					

8-10. SW ADJUSTMENT (for PJ-W55FL)

NOTE:

1. Set the S.S.G. to 30% 400 Hz of each.
2. Confirm that the sensitivity margin between Low and High Range sensitivities is within 6 dB μ , otherwise readjust Low and High Range sensitivities.
3. Set BAND SELECTOR to SW.

Step	Adjustment Item	SSG FREQ	SET TUNING	Adjustment Part	Result	Remarks
1	SW OSC (LOW)	5.6 MHz	SET TO LOW END	L124	Maximum output	
2	SW OSC (HIGH)	16.5 MHz	SET TO HIGH END	TC124	Maximum output	
3	For best result, repeat steps 1 and 2 two or three times.					
4	SW SENSITIVITY (LOW)	6.5 MHz	6.5 MHz	L121	Maximum output	

SECTION 2

PARTS LIST

TABLE OF CONTENTS

RECOMMENDED SPARE PARTS LIST	21
1. MECHA I BLOCK (REC/PB)	22
2. MECHA II BLOCK (PB)	25
3. PC BOARD BLOCK	25
4. RADIO PC BOARD	26
5. CASSETTE PC BOARD	26
6. CONTROL PC BOARD	26
7. G EQ/LEVEL PC BOARD	26
8. MAIN AMP PC BOARD	27
9. PHONO PC BOARD	27
10. POWER SUPPLY PC BOARD	27
11. POWER SW PC BOARD	27
12. PHONE JACK PC BOARD	27
13. LED PC BOARD	27
14. REC SW PC BOARD	27
15. FINAL ASSEMBLY BLOCK	29
INDEX	31

ATTENTION

1. When placing an order for parts be sure to list the parts no., model no., and description of each part. If any of this information is omitted, there are instances in which parts cannot be shipped or the wrong parts will be delivered.
2. Please be careful not to make a mistake in the parts no. If the parts no. is an error, a part different from the one ordered may be delivered.
3. Because part numbers and part definitions and supply in the Preliminary Parts List may have been the subject of changes, please use this parts list for all future reference.

HOW TO USE THIS PARTS LIST

1. This Parts List shows those parts which are considered necessary for repairs. Other parts, such as resistors and capacitors, are shown in the "Common List for Service Parts" from which these parts should be selected and parts.
2. The Recommended Spare Parts List shows those parts in the Parts List which are considered particularly important for service.
3. Parts not shown in the Parts List and "Common List for Service Parts" will not in principle be supplied.
4. How to read the parts list
 - a) Mechanism Block
 - b) P.C Board

2. HEAD BASE BLOCK

REF. NO.	PART NO.	DESCRIPTION	REF. NO.	PART NO.	DESCRIPTION
2-1X	BR-T2023A320A	HEAD BASE BLOCK GX-F66R	6-IC1	EI-324536	IC HD14049BP
2-2	HP-H2206A010A	HEAD R/P PR4-SFU C	6-IC2	EI-336801	IC MB8841-564M
2-3	ZS-477876	PAN20x03STL CMT	6-IC3	EI-331661	IC SN7405N
2-4	ZS-536488	BID20x08STL CMT	6-IC4	EI-336725	IC M54527P
2-5	ZG-402895	CS ANGLE ADJUST SPRING	6-TR1to4	ET-200985	TR 2SC2603 F,G
		SP (Service Parts) Classification	6-TR5to28	ET-554657	TR 2SA733A P,Q
		A small "x" indicates the inability to show that particular part in the Photo or Illustration.	6-D1	ED-318292	D SILICON H 1S2473T-77 T26
		This number corresponds with the individual parts index number in that figure	6-D2to4	ED-308952	D GERMA V 1K34A-LR F07
		This number corresponds with the Figure Number	6-D5to10	ED-318292	D SILICON H 1S2473T-77 T26
			6-X1	EI-318384	OSC X'TAL NC-18C 3.579545MHZ

SP (Service Parts) Classification

These reference symbols correspond with component symbols in the Schematic Diagrams.

5. The kind of part and its installation position can both be determined by the Part Number. To determine where a part number is listed, utilize the Parts Index at the end of the Parts List. It is necessary first of all to find the Part Number. This can be accomplished by using the Reference Number listed at the right of the part number in the Parts Index.

WARNING

▲ INDICATES SAFETY CRITICAL COMPONENTS FOR CONTINUED SAFETY. REPLACE SAFETY CRITICAL COMPONENTS ONLY WITH MANUFACTURER'S RECOMMENDED PARTS.

AVERTISSEMENT

▲ IL INDIQUE LES COMPOSANTS CRITIQUES DE SECURITE POUR MAINTENIR LE DEGRE DE SECURITE DE L'APPAREIL. NE REMPLACER QUE DES PIECES RECOMMANDEES PAR LE FABRICANT.

RECOMMENDED SPARE PARTS LIST

Because, if the parts listed below are on hand, almost any repair can be accomplished, we suggest that you stock these Recommended Spare Parts Items.

REF. NO.	PART NO.	DESCRIPTION	REF. NO.	PART NO.	DESCRIPTION
1	N	BF-716050	70	N	EV-716010
2	N	BL-712799	71	N	EV-716009
3	N	BM-716024	72	N	EV-715108
4	N	BR-715919	73	N	EV-716021
5	N	BR-715918	74	N	EV-715109
6	N	BT-715153	75	N	EV-716000
7	N	BT-716145	76	N	HE-715115
8	N	BT-716146	77	N	HP-715114
9	N	BT-716147	78	N	MB-712818
10	N	BT-717998	79	N	MB-716183
11	N	EC-713202	80	N	MB-716184
12	N	EC-717083	81	N	MI-715935
13	N	EC-706605	82	N	MI-712817
14	N	EC-713343	83	N	MI-712812
15	N	EC-716012	84	N	MZ-712813
16	N	ED-717081	85	N	MZ-711710
17	N	ED-717077	86	N	MZ-712814
18	N	ED-717078	87	N	MZ-712804
19	N	ED-749384			
20	N	ED-749382			
21	N	ED-360318			
22	N	ED-707920			
23	N	ED-306724			
24	N	ED-713348			
25	N	ED-713919			
26	N	ED-337606			
27	N	ED-347149			
28	N	EE-716030			
29	N	EF-300609			
30	N	EF-346139			
31	N	EL-716015			
32	N	EL-716017			
33	N	EL-359677			
34	N	EL-714983			
35	N	EL-715106			
36	N	EL-716003			
37	N	EL-708420			
38	N	EL-713319			
39	N	EL-716014			
40	N	EL-713321			
41	N	EP-716202			
42	N	ER-702368			
43	N	ES-713958			
44	N	ES-716444			
45	N	ES-715945			
46	N	ES-716201			
47	N	ES-715944			
48	N	ES-749290			
49	N	ES-713178			
50	N	ES-715111			
51	N	ES-716008			
52	N	ES-716011			
53	N	ES-716018			
54	N	ES-706583			
55	N	ES-713971			
56	N	ES-716001			
57	N	ET-353734			
58	N	ET-336864			
59	N	ET-717080			
60	N	ET-308867			
61	N	ET-328861			
62	N	ET-330225			
63	N	ET-328844			
64	N	ET-306719			
65	N	ET-307195			
66	N	ET-749375			
67	N	ET-338565			
68	N	ET-349459			
69	N	EV-713347			
		FLYWHEEL ASSY			
		PINCH ROLLER ARM ASSY			
		MOTOR ASSY W/PULLEY			
		SUPPLY REEL TABLE BLK HX-M10			
		TAKE-UP REEL TABLE BLK HX-M10			
		TRANS POWER 22224719			
		(U, FS (Y1))			
		TRANS POWER 22224720 C, A (C, A)			
		TRANS POWER 22224722 S, B (B, S)			
		TRANS POWER 22224723 E, V (E, V)			
		TRANS POWER 22224742 (FL (Y1))			
		C-S-FIX (FS, FL)			
		C-S-FIX (FL, FL (Y1))			
		C-S-FIX 1R			
		C-S-FIX 2R			
		VC POLY			
		SILICON LN2G			
		LED LN250RPH			
		LED LN350GPH			
		LED TLG208			
		LED TLR208			
		SILICON H MA700			
		SILICON S2V10X			
		SILICON S5277B 100/1.0A			
		SILICON 1SS176			
		SILICON 1SS178			
		ZENER H 05Z6.2 Y			
		ZENER H 05Z8.2 Y			
		ANT ROD			
		FUSE FST3100 T 250V 5.00A			
		(EXCEPT C, A)			
		FUSE TSC 12.5V 5.00A (C, A)			
		IC BA11041LS			
		IC BA343			
		IC BA3707			
		IC BA3812L			
		IC BA6154			
		IC TA27271P			
		IC TA7343P			
		IC TA7358AP			
		IC TA7405P			
		IC TA7757P			
		SOLENOID			
		R FUSE 1/4W 2R2J			
		SW SELECTOR (C, A)			
		SW SELECTOR (U, FS (Y1))			
		SW LEAF LSA-1119C			
		SW LEAF LSA-1120F-1N			
		SW LEAF LSA-1132EAU			
		SW LEAF LSB-1123			
		SW LSA-1120-YN			
		SW PUSH			
		SW PUSH			
		SW PUSH			
		SW PUSH			
		SW SLIDE			
		SW SLIDE			
		SW SLIDE			
		TR FET 2SJ103 GR, BL			
		TR FET 2SK223 F			
		TR FET 2SK362 GR B			
		TR 2SA1015 O, Y, GR			
		TR 2SA562TM O, Y			
		TR 2SC1815 BL			
		TR 2SC2120 O, Y			
		TR 2SC2236 O, Y			
		TR 2SC2240 GR, BL			
		TR 2SC2458 GR			
		TR 2SD1302 R, S			
		TR 2SD1406 O, Y, GR			
		R S-FIX HVR103B			

"NOTE" N: New Parts
SYMBOL FOR DESTINATION

FU (A): AAL (U.S.A)
FL (B): UK (ENGLAND)
FU (C): CSA (CANADA)
FL (E): CEE (EUROPE)
FS (S): SAA (AUSTRALIA)
FS (U): U/T (UNIVERSAL AREA)
FL (V): VDE (WEST GERMANY)
FS (Y1): CANADA
FL (Y1): POLAND

RECOMMENDED SPARE PARTS LIST

Because, if the parts listed below are on hand, almost any repair can be accomplished, we suggest that you stock these Recommended Spare Parts Items.

REF. NO.	PART NO.	DESCRIPTION	REF. NO.	PART NO.	DESCRIPTION
1	N	BF-716050	70	N	EV-716010
2		FLYWHEEL ASSY	71	N	EV-716009
3	N	BL-712799	72	N	EV-715108
4		PINCH ROLLER ARM ASSY	73	N	EV-716021
5		MOTOR ASSY W/PULLEY	74	N	EV-715109
6		SUPPLY REEL TABLE BLK HX-M10	75	N	EV-716000
		TAKE-UP REEL TABLE BLK HX-M10	76	N	HE-715115
		TRANS POWER 22224719	77	N	HP-715114
		(U, FS (Y1))	78		MB-712818
7		TRANS POWER 22224720 C, A (C, A)	79		MB-716183
8		TRANS POWER 22224722 S, B (B, S)	80		MB-716184
9		TRANS POWER 22224723 E, V (E, V)	81		MI-715935
10	N	TRANS POWER 22224742 (FL (Y1))	82		MI-712817
11		C S-FIX (FS, FU)	83		MZ-712813
12		C S-FIX (FL, FL (Y1))	84		MZ-711710
13		C S-FIX 1R	85		MZ-712814
14		C S-FIX 2R	86		MZ-712804
15	N	VC POLY	87		
16	N	D SILICON LN2G			
17	N	D LED LN250RPH			
18	N	D LED LN350GPH			
19		D LED TLO208			
20		D LED TLR208			
21		D SILICON H MA700			
22		D SILICON S2V10X			
23		D SILICON S5277B 100/1.0A			
24		D SILICON ISS176			
25		D SILICON ISS178			
26		D ZENER H 0526.2 Y			
27		D ZENER H 0528.2 Y			
28	N	ANT ROD			
29		Δ FUSE FST3100 I 250V 5.00A (EXCEPT C, A)			
30		Δ FUSE TSC 125V 5.00A (C, A)			
31	N	IC BA1104LS			
32	N	IC BA343			
33		IC BA3707			
34		IC BA3812L			
35		IC BA6154			
36	N	IC TA7271P			
37		IC TA7343P			
38		IC TA7358AP			
39	N	IC TA7405P			
40		IC TA7757P			
41	N	SOLENOID			
42		Δ R FUSE 1/4W 2R2J			
43		Δ SW SELECTOR (C, A)			
44		Δ SW SELECTOR (U, FS (Y1))			
45		SW LEAF LSA-1119C			
46	N	SW LEAF LSA-1120F-1N			
47		SW LEAF LSA-1132EAU			
48		SW LEAF LSB-1123			
49		SW LSA-1120-YN			
50		SW PUSH			
51	N	SW PUSH			
52	N	SW PUSH			
53	N	SW PUSH			
54		SW SLIDE			
55		SW SLIDE			
56	N	SW SLIDE			
57		TR FET 2SJ103 GR, BL			
58		TR FET 2SK223 F			
59	N	TR FET 2SK362 GR B			
60		TR 2SA1015 O, Y, GR			
61		TR 2SA562 TM O, Y			
62		TR 2SC1815 BL			
63		TR 2SC2120 O, Y			
64		TR 2SC2236 O, Y			
65		TR 2SC2240 GR, BL			
66		TR 2SC2458 GR			
67		TR 2SD1302 R, S			
68		TR 2SD1406 O, Y, GR			
69		R S-FIX H VR103B			

"NOTE" N: New Parts

SYMBOL FOR DESTINATION

- FU (A): AAL (U.S.A)
- FL (B): UK (ENGLAND)
- FU (C): CSA (CANADA)
- FL (E): CEE (EUROPE)
- FS (S): SAA (AUSTRALIA)
- FS (U): U/T (UNIVERSAL AREA)
- FL (V): VDE (WEST GERMANY)
- FS (Y1): CANADA
- FL (Y1): POLAND

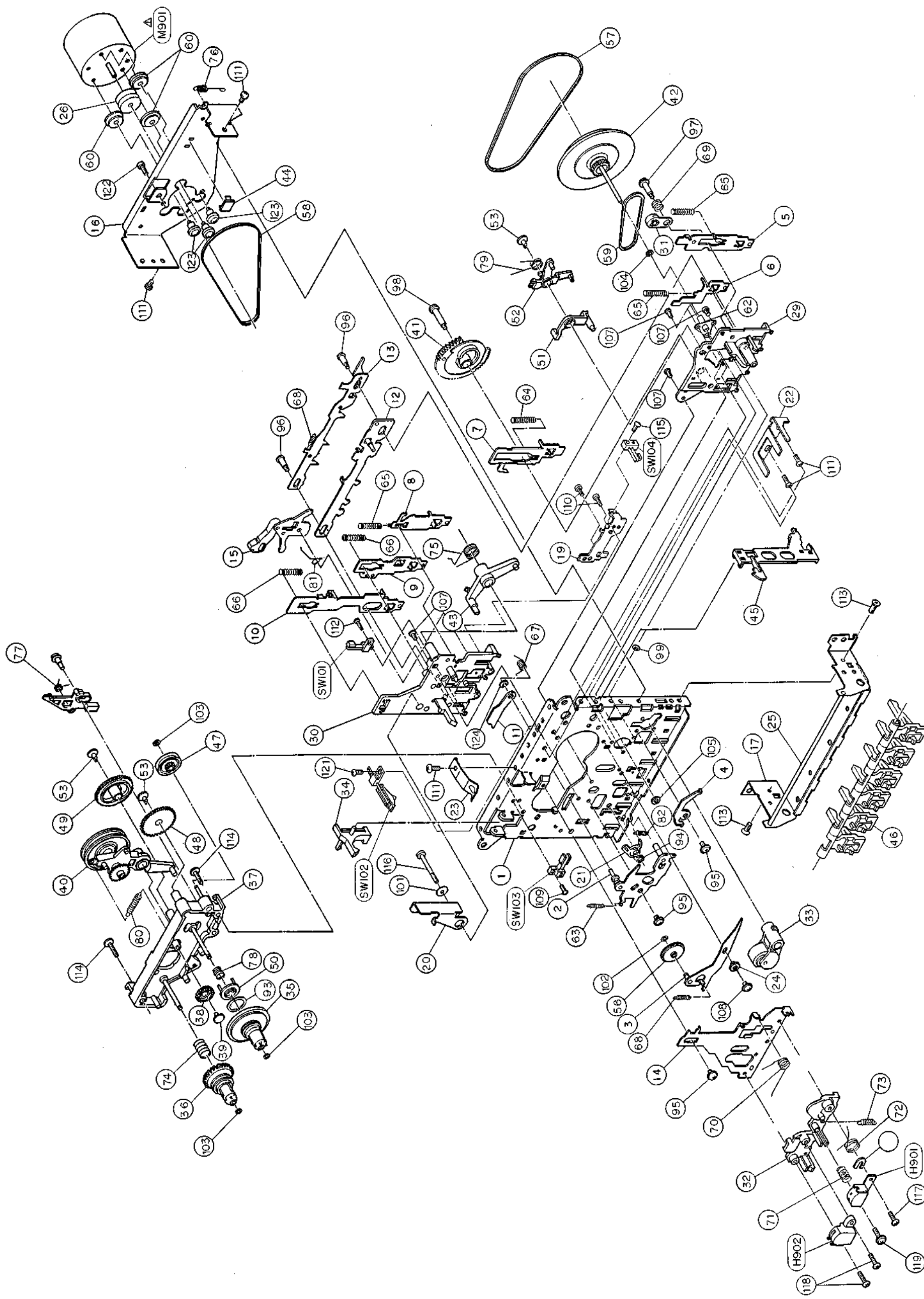
1. MECHA I BLOCK (REC/PB)

REF. NO.	PART NO.	DESCRIPTION
1-1	BB-716023	MECHA REC/PB BLK PI-W55
1-15	ML-716169	ARM RC ASSY
1-23	ZG-712822	SP PACK
1-31	MZ-716171	CAM PAUSE
1-32	HZ-716172	BASE HEAD
1-33	BL-712799	PINCH ROLLER ARM ASSY
1-34	ML-712806	SENSOR REC
1-35	BR-715918	TAKE-UP REEL TABLE BLK HX-M10
1-36	BR-715919	SUPPLY REEL TABLE BLK HX-M10
1-38	MZ-712804	GEAR FF
1-39	MZ-749256	BUSH
1-40	MI-715935	CLUTCH ARM ASSY
1-41	MZ-711710	GEAR C
1-42	BF-716050	FLYWHEEL ASSY
1-43	ML-716175	ARM LOCK (H)
1-44	ZW-716176	SPACER CAPSTAN
1-45	ML-716177	LEVER EJECT (F)
1-46	SB-716178	BUTTON LEVER
1-47	MI-712812	PULLEY AUTO
1-48	MZ-712813	GEAR AUTO
1-49	MZ-712814	GEAR CAM AUTO
1-50	ML-715920	CLUTCH AUTO
1-51	ML-716179	ARM AUTO (B)
1-52	ML-716180	ARM AUTO LOCK
1-53	ZW-716181	BUSH
1-56	MI-712817	IDLER PLAY
1-57	MB-716183	BELT DRIVE
1-58	MB-716184	BELT FR
1-59	MB-712818	BELT AUTO
1-60	MB-715936	CUSHION MOTOR
1-62	MV-716186	MAIN CASE
1-67	ZG-716187	SP REC LEVER
1-68	ZG-716188	SP CAM
1-69	ZG-716189	SP PAUSE CAM
1-70	ZG-716190	SP HEAD CHASSIS
1-71	ZG-749268	SP HEAD
1-72	ZG-715921	SP PINCH ROLLER
1-73	ZG-715940	SP HEAD RETURN
1-74	ZG-716191	SP BACK TENSION
1-75	ZG-716192	SP LOCK ARM (H)
1-76	ZG-716193	SP EJECT LEVER
1-77	ZG-716194	SP AUTO SENSOR
1-78	ZG-716195	SP AUTO CLUTCH
1-79	ZG-716197	SP AUTO LOCK ARM
1-80	ZG-715922	SP CLUTCH ARM
1-81	ZG-716198	SP RC ARM
1-93	TC-712823	FELT AUTO CLUTCH
1-96	ZS-715982	SCREW (B)
1-97	ZS-716203	SCREW SPECIAL (C)
1-98	ZS-716204	SCREW SPECIAL (D)
1-103	ZW-716206	PW17×035×025PSL
1-114	ZS-550708	PAN26×08STL NIB
1-117	ZS-536488	BID20×08STL CMT
1-118,119	ZS-749293	BID20×09STL CMT TW
1-123	ZS-715943	SCREW SPECIAL
1-M901	BM-716024	Δ MOTOR ASSY W/PULLEY
1-SW101	ES-715945	† SW LEAF LSA-1119C
1-SW102	ES-715944	SW LEAF LSA-1132 EAU
1-SW103	ES-713178	SW LSA-1120-YN
1-SW104	ES-716201	SW LEAF LSA-1120F-IN
1-H901	HP-715114	HEAD R/P
1-H902	HE-715115	HEADE

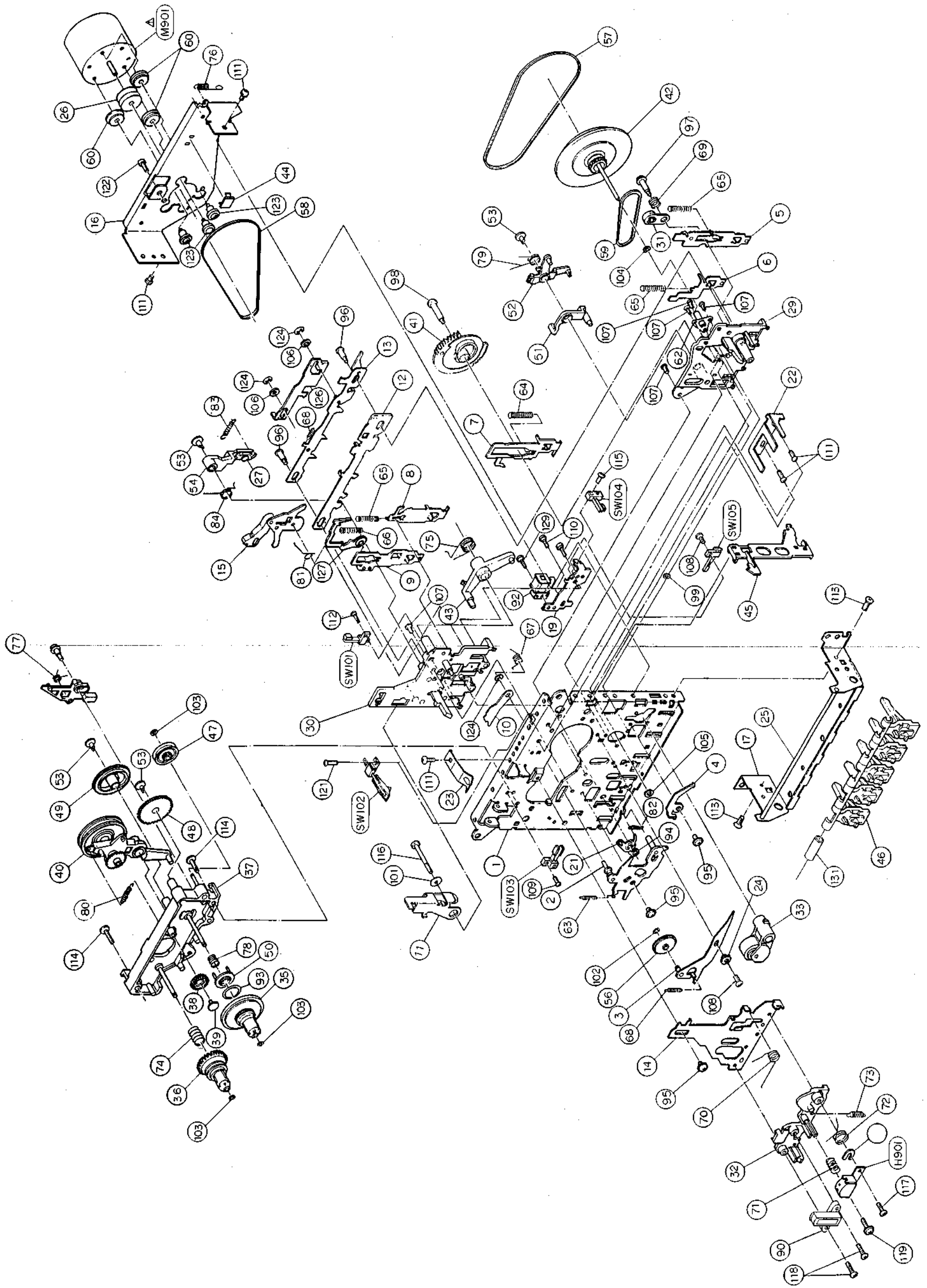
NOTE:

Parts will not be supplied if they are not listed in the parts list, even if they appear on the assembling illustrations with reference No.

MECHA I BLOCK



MECHA II BLOCK



2. MECHA II BLOCK (PB)

REF. NO.	PART NO.	DESCRIPTION
2-1	BB-716025	MECHA PB BLK PJ-W55
2-15	ML-716169	ARM RC ASSY
2-23	ZG-712822	SP PACK
2-31	MZ-716171	CAM PAUSE
2-32	HZ-716172	BASE HEAD
2-33	BL-712799	PINCH ROLLER ARM ASSY
2-35	BR-715918	TAKE-UP REEL TABLE BLK HX-M10
2-36	BR-715919	SUPPLY REEL TABLE BLK HX-M10
2-38	MZ-712804	GEAR FF
2-39	MZ-749256	BUSH
2-40	MI-715935	CLUTCH ARM ASSY
2-41	MZ-711710	GEAR C
2-42	BF-716050	FLYWHEEL ASSY
2-43	ML-716175	ARM LOCK (H)
2-44	ZW-716176	SPACER CAPSTAN
2-45	ML-716177	LEVER EJECT (F)
2-46	SB-716178	BUTTON LEVER
2-47	MI-712812	PULLEY AUTO
2-48	MZ-712813	GEAR AUTO
2-49	MZ-712814	GEAR CAM AUTO
2-50	MI-715920	CLUTCH AUTO
2-51	ML-716179	ARM AUTO (B)
2-52	ML-716180	ARM AUTO LOCK
2-53	ZW-716181	BUSH
2-54	ML-716182	ARM SOLENOID
2-56	MI-712817	IDLER PLAY
2-57	MB-716183	BELT DRIVE
2-58	MB-716184	BELT FR
2-59	MB-712818	BELT AUTO
2-60	MB-715936	CUSHION MOTOR
2-62	MV-716186	MAIN CASE
2-67	ZG-716187	SP REC LEVER
2-68	ZG-716188	SP CAM
2-69	ZG-716189	SP PAUSE CAM
2-70	ZG-716190	SP HEAD CHASSIS
2-71	ZG-749268	SP HEAD
2-72	ZG-715921	SP PINCH ROLLER
2-73	ZG-715940	SP HEAD RETURN
2-74	ZG-716191	SP BACK TENSION
2-75	ZG-716192	SP LOCK ARM (H)
2-76	ZG-716193	SP EJECT LEVER
2-77	ZG-716194	SP AUTO SENSOR
2-78	ZG-716195	SP AUTO CLUTCH
2-79	ZG-716197	SP AUTO LOCK ARM
2-80	ZG-715922	SP CLUTCH ARM
2-81	ZG-716198	SP RC ARM
2-83	ZG-716199	SP ARM SOLENOID
2-84	ZG-716200	SP TRIGGER ARM
2-90	MS-715941	TAPE GUIDE
2-93	TC-712823	FELT AUTO CLUTCH
2-96	ZS-715982	SCREW (B)
2-97	ZS-716203	SCREW SPECIAL (C)
2-98	ZS-716204	SCREW SPECIAL (D)
2-103	ZW-716206	PW17×0.35×02.5PSL
2-114	ZS-550708	PAN26×08STL N3
2-117	ZS-536488	BID20×08STL CMT
2-118, 119	ZS-749293	BID20×09STL CMT TW
2-123	ZS-715943	SCREW SPECIAL
2-M901	BM-716024	▲ MOTOR ASSY W/PULLEY
2-SW101	ES-715945	SW LEAF LSA-1119C
2-SW102	ES-715944	SW LEAF LSA-1132EAU
2-SW103	ES-713178	SW LSA-1120-YN
2-SW104	ES-716201	SW LEAF LSA-1120F-IN
2-SW105	ES-749290	SW LEAF LSB-1123
2-H901	HP-715114	HEAD R/P
2-SL1	EP-716202	SOLENOID

NOTE:

Parts will not be supplied if they are not listed in the parts list, even if they appear on the assembling illustrations with reference No.

3. PC BOARD BLOCK

REF. NO.	PART NO.	DESCRIPTION
3-1A	BA-716814	PC RADIO BLK PJ-W55 FS
3-1B	BA-716813	PC RADIO BLK PJ-W55 FU (FS, FS(Y1))
3-1C	BA-716816	PC RADIO BLK PJ-W55 FL
3-1D	BA-717995	PC RADIO BLK PJ-W55 FL(Y1)

NOTE:

PC RADIO BLK consists of following PC BOARDS.

- RADIO PC BOARD
- CASSETTE PC BOARD
- CONTROL PC BOARD
- G. EQ/LEVEL PC BOARD
- MAIN AMP PC BOARD
- PHONO PC BOARD
- POWER SUPPLY PC BOARD
- POWER SW PC BOARD
- PHONE JACK PC BOARD
- LED PC BOARD
- REC SW PC BOARD

4. RADIO PC BOARD

REF. NO.	PART NO.	DESCRIPTION
4-IC101	EL-713319	IC TA7358AP
4-IC201	EL-713321	IC TA7757P
4-IC221	EL-708420	IC TA7343P
4-IC301	EL-716014	IC TA7405P
4-IC401	EL-716015	IC BA1104LS
4-TR101	TR-749375	TR 2SC2458 GR
4-TR305,306	ET-330225	TR 2SC1815 BL
4-TR346,347	ET-338565	TR 2SD1302 R, S
4-TR381 to 383	ET-307195	TR 2SC2240 GR, BL
4-TR384,385,401	ET-353734	TR FET 2SJ103 GR, BL
4-TR402	ET-330225	TR 2SC1815 BL
4-D101,102,333, 334,335,342	ED-713348	D SILICON ISS176
4-D343	ED-717081	D SILICON LN2G
4-S101	ES-716011	SW PUSH
4-S401, 601	ES-716018	SW PUSH (DOLBY)
4-VR221	EV-713347	R S-FIX VR103B
4-F101A	EH-716156	FILTER BP BPF-88108 (FS, FU)
4-F101B	EH-749390	FILTER FM-BPF-BPWB5 (E, V, B)
4-F101C	EH-717997	FILTER BP F-BPCB1 (FL(Y,I))
4-L101	EO-713339	COIL CHOKE 1.5K
4-L102A	EO-714198	COIL 3.2-5TR (FS, FU)
4-L102B	EO-718000	COIL 6TR 3.30 (FL, FL(Y,I))
4-L103A	EO-717079	COIL 4TR 3.10 (FS, FU)
4-L103B	EO-717999	COIL 5TR 3.00 (FL, FL(Y,I))
4-L121A	EO-714193	COIL RT53-2250 (FS, FU)
4-L121B	EO-714375	COIL RT53-2256 (FL, FL(Y,I))
4-L122	EO-714081	COIL RT53-2255
4-L124A	EO-714196	COIL RT73-5320 (FS, FU)
4-L124B	EO-714001	COIL RT73-5321 (FL, FL(Y,I))
4-L125	EO-714195	COIL RTS3-5319
4-L126A	EO-714076	COIL RT72-5385 (FS, FU)
4-L126B	EO-714376	COIL RT72-5389 (FL, FL(Y,I))
4-L201	EO-713997	COIL TRAP 100K (FL, FL(Y,I))
4-IT201	EO-714079	COIL IFT-IT14-5821
4-IT202	EO-714077	COIL IFT-JT13-4837
4-IT203	EO-714080	COIL IFT-IT14-5873
4-IT204	EO-714078	COIL IFT-JT13-4838
4-CF201	EH-713322	FILTER CE 10.7 MS2
4-CF202A	EH-749389	FILTER CE (FS, FU)
4-CF202B	EH-713194	FILTER CE 460B (FL, FL(Y,I))
4-TC101,102	EC-706605	C S-FIX IR
4-TC122A,123A, 125A,126A	EC-713343	C S-FIX 2R (FS, FU)
4-TC122B,123B 125B,126B	EC-717083	C S-FIX (FL, FL(Y,I))
4-TC124	EC-713302	C S-FIX
4-R232	ER-707982	Δ R OMF FS 1W 330J
4-R327, 401	ER-321619	Δ R OMF H S15 FS 1W 101J
4-PVC	EC-716012	VC POLY
4-I301	EI-713933	JACK 3.5ST (MIC)
4-1A	EO-716445	COIL ANT ASSY (FS, FU)
4-1B	EO-716446	COIL ANT ASSY (FL, FL(Y,I))

5. CASSETTE PC BOARD

REF. NO.	PART NO.	DESCRIPTION
5-IC331	EI-716017	IC BA343
5-TR301,302	ET-338565	TR 2SD1302 R, S
5-TR303,304	ET-336864	TR FET 2SK223 F
5-TR331,332	ET-330225	TR 2SC1815 BL
5-TR333,334	ET-333734	TR FET 2SJ103 GR, BL
5-TR335,336	ET-338565	TR 2SD1302 R, S
5-TR337,338	ET-333734	TR FET 2SJ103 GR, BL
5-TR339 to 342,651	ET-330225	TR 2SC1815 BL
5-TR343,344	ET-333734	TR FET 2SJ103 GR, BL
5-TR345	ET-330225	TR 2SC1815 BL
5-TR350,351	ET-333734	TR FET 2SJ103 GR, BL
5-TR352	ET-308867	TR 2SA1015 O, Y, GR
5-TR652	ET-306719	TR 2SC2236 O, Y
5-TR653	ET-328861	TR 2SA562TM O, Y
5-TR752	ET-717080	TR FET 2SK362 GR B
5-D331,332, 337 to 341	ED-713348	D SILICON ISS176
5-D336	ED-717081	D LED LN2G
5-D651,652	ED-713919	D SILICON ISS178
5-VR381	EV-716021	VR ROTARY 16 103B
5-VR501,502	EV-716000	VR SLIDE 503
5-VR801	EV-715108	VR ROTARY 103
5-VR803	EV-715109	VR ROTARY 503
5-L331,332	EO-713931	COIL CHOKE AF
5-L651	EO-716020	COIL OSC AF
5-L652,653	EO-709425	COIL CHOKE AF 12MH
5-R657	ER-321619	Δ R OMF H S15 FS 1W 101J
5-R660	ER-702368	Δ R FUSE 1/4W 2R2J

6. CONTROL PC BOARD

REF. NO.	PART NO.	DESCRIPTION
6-IC751	EI-359677	IC BA3707
6-TR751,752, 755,757	ET-308867	TR 2SA1015 O, Y, GR
6-TR753, 754	ET-717080	TR FET 2SK362 GR B
6-TR756	ET-330225	TR 2SC1815 BL
6-D751 to 754	ED-713348	D SILICON ISS176
6-D755,756, 767,768,771	ED-360318	D SILICON H MA700
6-D757	ED-713348	D SILICON ISS176
6-D758,759	ED-306724	D SILICON S277B 100/1.0A
6-D760 to 766, 769,770,772	ED-713348	D SILICON ISS176
6-D907	ED-337606	D ZENER H 05Z6.2 Y
6-S701	ES-716008	SW PUSH
6-VR751,752	EV-716009	R S-FIX 502
6-VR753,754	EV-716010	R S-FIX 103

7. G. EQ/LEVEL PC BOARD

REF. NO.	PART NO.	DESCRIPTION
7-IC501,502	EI-714983	IC BA3812L
7-IC701	EI-715106	IC BA6154
7-TR701	ET-330225	TR 2SC1815 BL
7-D701,707	ED-749382	D LED TLR208 RED
7-D702 to 706	ED-749384	D LED TLG208 GREEN
7-VR501 to 505	EV-716000	VR SLIDE 503 (100Hz)
7-R509	ER-321619	Δ R OMF H S15 FS 1W 101J
7-R707	ER-707982	Δ R OMF FS 1W 330J

8. MAIN AMP PC BOARD

REF. NO.	PART NO.	DESCRIPTION
8-IC801	EH-716003	IC TA7271P
8-TR601 to 604	ET-330225	TR 2SC1815 BL
8-TR605,606	ET-307195	TR 2SC2240 GR, BL
8-TR607,608	ET-353734	TR FET 2SJ103 GR, BL
8-TR801,802	ET-338565	TR 2SD1302 R, S
8-TR901	ET-349459	TR 2SD1406 O, Y, GR
8-TR902	ET-328844	TR 2SC2120 O, Y
8-D906	ED-347149	D ZENER H.05Z8.2 Y
8-R635	ER-707982	△ R OMF FS 1W 330J
8-R803,804	ER-701107	△ R OMF 1W 151J
8-R809,810, 901,903	ER-702368	△ R FUSE 1/4W 2R2J
8-R902,904	ER-331562	△ R OMF H S15 FS 1W 471J
8-C811,812	EC-716004	CEC V 102 16DC
8-C814	EC-716006	CEC V 472 25DC
8-J801,802	EJ-716007	JACK 3.5

9. PHONO PC BOARD

REF. NO.	PART NO.	DESCRIPTION
9-TR451,452	ET-307195	TR 2SC2240 GR, BL
9-S451	ES-706583	SW SLIDE
9-S452	ES-716001	SW SLIDE
9-R469	ER-321619	△ R OMF H S15 FS 1W 101J
9-J401	EJ-709456	PIN J US4P

10. POWER SUPPLY PC BOARD

REF. NO.	PART NO.	DESCRIPTION
10-D901 to 904	ED-707920	△ D SILICON SZV10X
10-D905	ED-306724	△ D SILICON SS277B 100V/1.0A
10-F901,902B	EF-346139	△ FUSE TSC 125V 5.00A (C, A)
10-F902A	EF-300609	△ FUSE FST3100 T250V 5.00A (EXCEPT C, A)

11. POWER SW PC BOARD

REF. NO.	PART NO.	DESCRIPTION
11-S901	ES-715111	△ SW PUSH

12. PHONE JACK PC BOARD

REF. NO.	PART NO.	DESCRIPTION
12-J803	EJ-713933	JACK 3.5ST

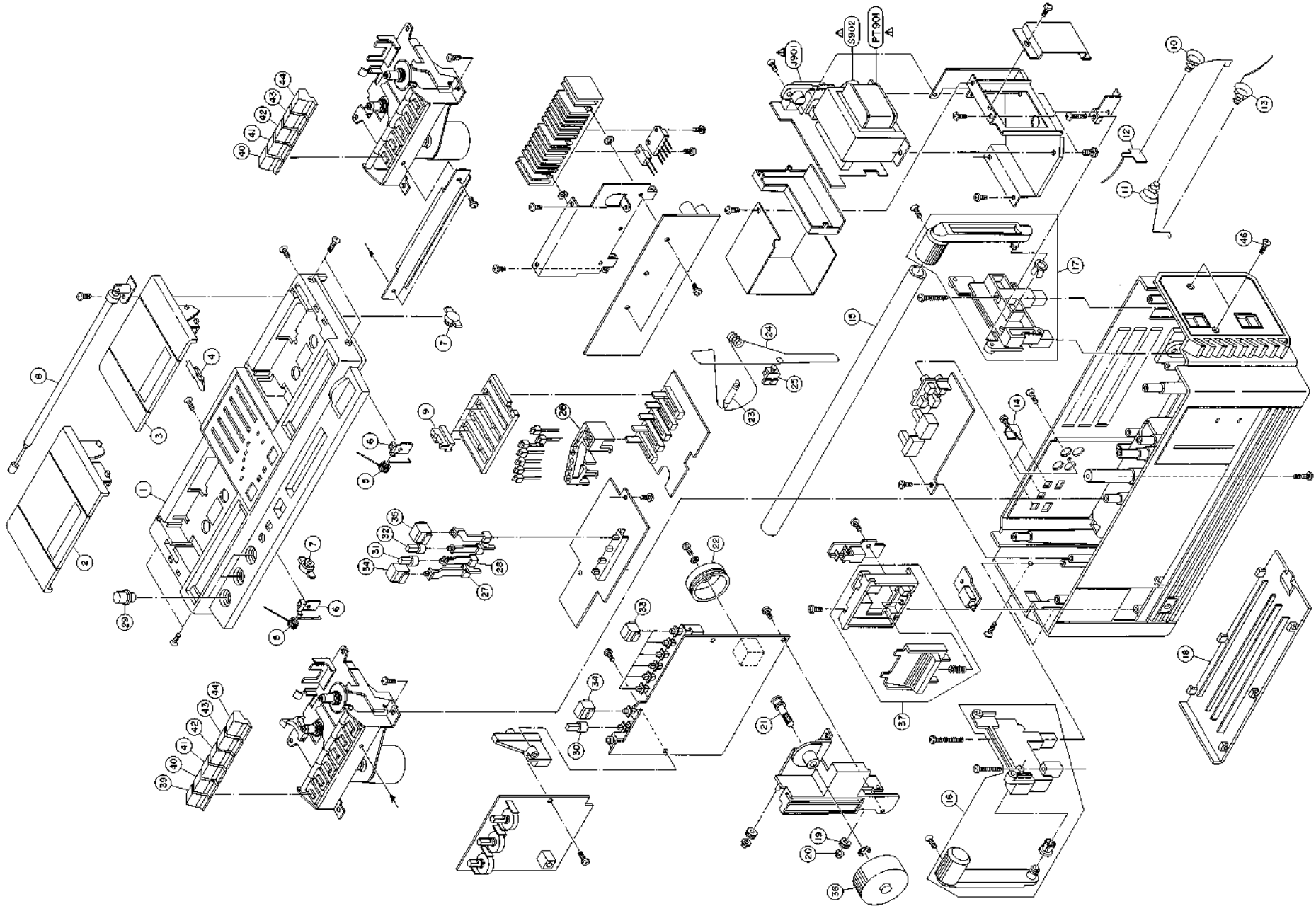
13. LED PC BOARD

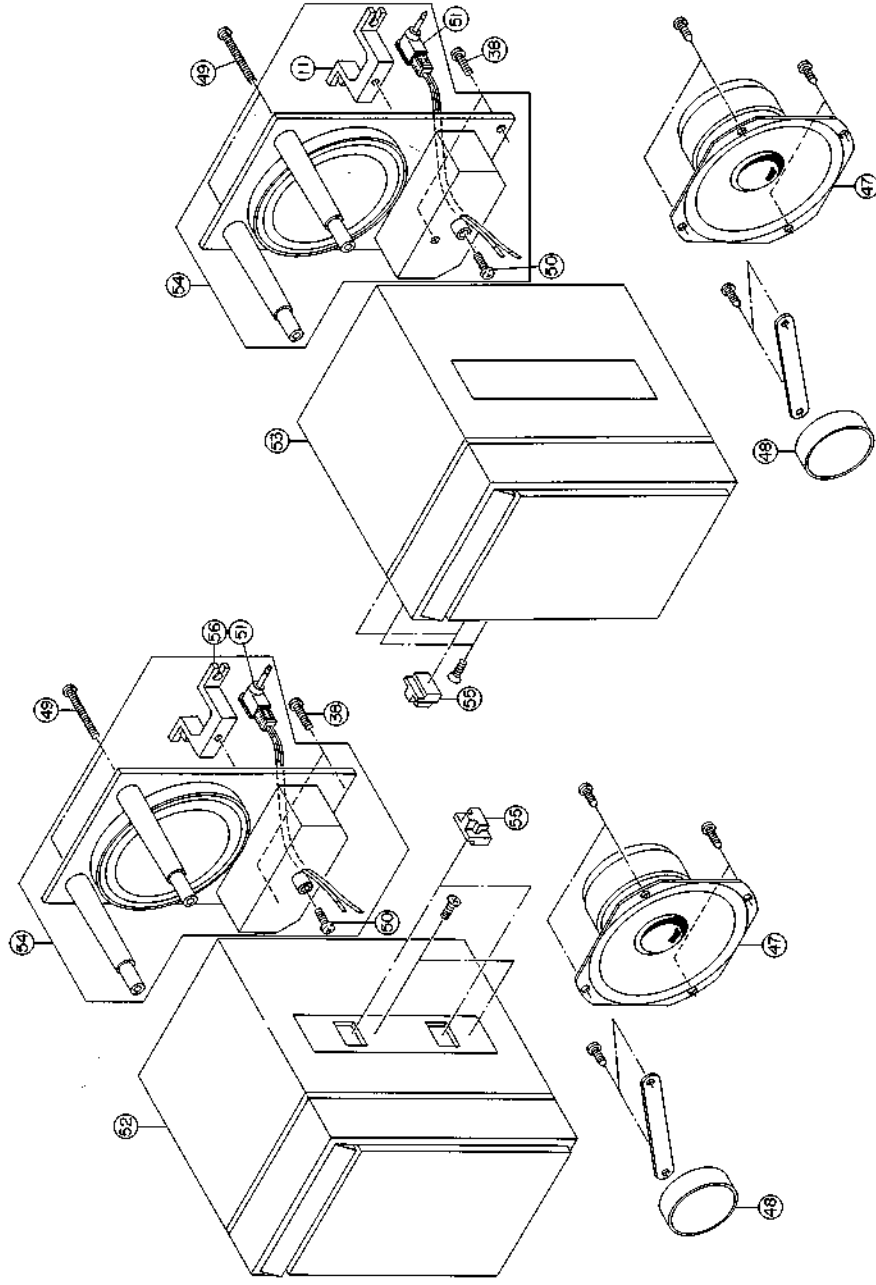
REF. NO.	PART NO.	DESCRIPTION
13-D201	ED-717077	D LED LN250RPH RED
13-D202	ED-717078	D LED LN350GPH GREEN

14. REC SW PC BOARD

REF. NO.	PART NO.	DESCRIPTION
14-SW106	ES-713971	SW SLIDE

FINAL ASSEMBLY BLOCK





15. FINAL ASSEMBLY BLOCK

REF. NO.	PART NO.	DESCRIPTION	REF. NO.	PART NO.	DESCRIPTION
15-1A	BC-716322	CABINET UPPER BLK PJ. W55FS/FU	15-28	TK-716324	JOINT KNOBS
15-1B	BC-716451	CABINET UPPER BLK PJ. W55FS/FU-B	15-29	SK-715145	KNOB VR
15-1C	BC-716450	CABINET UPPER BLK PJ-W55FL	15-30	SK-715146	KNOB DIRECTION
15-1D	BC-716452	CABINET UPPER BLK PJ. W55FL-B	15-31	SK-716041	KNOB EQ
15-2	BD-716447	LID PART	15-32	SK-716042	KNOB MUTE
15-2B	BD-716449	LID PART-B	15-33	SK-715147	KNOB SELECT
15-3	BD-716026	LID PART (2)	15-34	SK-716167	KNOB EXCITER
15-3B	BD-716448	LID PART (2)-B	15-35	SK-716044	KNOB DUBBING
15-4	ZG-716320	SP P	15-36	SK-715148	KNOB TUNING
15-5	ZG-716029	SP EJECT	15-37	SK-715149	KNOB POWER PART
15-6	MZ-716028	SUPPORT SP	15-38	ZS-711858	2DTBID30x12ZN 3K
15-7	MZ-715129	DAMPER ASSY	15-39	SB-717076	BUTTON REC
15-8	EE-716030	ANT ROD	15-40	SB-715119	BUTTON PLAY
15-9	SK-715130	KNOB SLIDE	15-41	SB-715120	BUTTON REW
15-9B	SK-717084	KNOB SLIDE-B	15-42	SB-715121	BUTTON FF
15-10	ZG-713699	SP BATTERY-C	15-43	SB-715122	BUTTON STOP
15-11	ZG-714215	SP BATTERY-SX	15-44	SB-715123	BUTTON PAUSE
15-12	EJ-713701	TERMINAL BATTERY A	15-45A	EW-715152	AC CORD CP SET (U)
15-13	ZG-714214	SP BATTERY-A	15-45B	EW-716098	AC CORD 2 CORES UL-SET (C, A)
15-14	EJ-716031	TERMINAL SIP	15-45C	EW-706565	AC CORD (E, V, FL (Y1))
15-15	SH-716032	HANDLE	15-45D	EW-716096	AC CORD 2 CORES BS (B)
15-16	SZ-716596	HOLDER HANDLE (L) PART	15-45E	EW-716097	AC CORD 2 CORES SET-A2 (S)
15-17	SZ-716597	HOLDER HANDLE (R) PART	15-45F	EW-714002	AC CORD FPUCSET FS (Y1)
15-18	BC-715135	COVER BATTERY	15-46	ZS-716168	OCS30x12STL
15-18B	BC-716149	COVER BATTERY-B	15-46B	ZS-718033	OCS30x12STL BNI
15-19	MZ-714202	PULLEY	15-47	SS-715142	SPEAKER SP-80
15-20	MS-716036	SHAFT TUNING	15-48	SS-715143	SPEAKER SP-30
15-21	MIR-716037	DIAL WHEEL	15-49	ZS-716165	T2BID30x30 NI3
15-22	MIR-716037	DIAL WHEEL	15-50	ZS-711859	2DTBID30x20ZN 3A
15-23	TA-716812	SP DIAL WHEEL SFS	15-51	EW-717075	SPEAKER CORD
15-24	TA-716812	DIAL STRING PART	15-52	BC-716161	CABINET SPEAKER (L) BLK PJ-35
15-25	MD-715139	POINTER	15-52B	BC-716154	CABINET SPEAKER (L) BLK PJ-35-B
15-26	MZ-716039	HOLDER LED	15-53	BC-716166	CABINET SPEAKER (R) BLK PJ-35
15-27	TK-716323	JOINT KNOB L			

REF. NO.	PART NO.	DESCRIPTION
15-53B	BC-716155	CABINET SPEAKER (R) BLK PJ-35-B
15-54A	BC-716598	COVER BACK CABINET
15-54B	BC-716817	SPEAKER PART (EXCEPT A, C) COVER BACK CABINET
15-55	SZ-716164	SPEAKER PART (FU) (A, C)
15-56	SZ-716325	JOINT SPEAKER BOX
15-PT901A	BT-715153	CLAMPER CORD
15-PT901B	BT-716145	Δ TRANS POWER 22224719 (U, FS (Y1))
15-PT901C	BT-716147	Δ TRANS POWER 22224720 C, A (C, A)
15-PT901D	BT-716146	Δ TRANS POWER 22224723 E, V (E, V)
15-PT901E	BT-717998	Δ TRANS POWER 22224722 S, B (B, S)
15-S902A	ES-716444	Δ TRANS POWER 22224742 (FL (Y1))
15-S902B	ES-713958	Δ SW SELECTOR (U, FS (Y1))
15-J901A	EI-715154	Δ SW SELECTOR (C, A)
15-J901B	EI-716142	Δ SOCKET INLET (U, FS (Y1), E, V, B, S, FL (Y1))
		Δ SOCKET INLET (C, A)

SYMBOL FOR COLOR VARIATION

NON: SILVER

B or BL: BLACK

INDEX

PJ-W55

PART NO.	REF. NO.	PART NO.	REF. NO.	PART NO.	REF. NO.	PART NO.	REF. NO.
BA-716813	3-1B	ED-713348	6-D752	EO-717999	4-L103B	ET-338565	8-TR801
BA-716814	3-1A	ED-713348	6-D753	EO-718000	4-L102B	ET-349459	8-TR901
BA-716816	3-1C	ED-713348	6-D754	EP-71202	2-SL1	ET-353734	4-TR384
BA-717995	3-1D	ED-713348	6-D757	ER-321619	4-R327	ET-353734	4-TR385
BB-716023	1-1	ED-713348	6-D760	ER-321619	4-R401	ET-353734	4-TR401
BB-716025	2-1	ED-713348	6-D761	ER-321619	8-R657	ET-353734	5-TR333
BC-715135	15-18	ED-713348	6-D762	ER-321619	7-R509	ET-353734	5-TR334
BC-716149	15-18B	ED-713348	6-D763	ER-321619	9-R469	ET-353734	5-TR337
BC-716154	15-52B	ED-713348	6-D764	ER-331562	8-R902	ET-353734	5-TR338
BC-716155	15-53B	ED-713348	6-D765	ER-331562	8-R904	ET-353734	5-TR343
BC-716161	15-52	ED-713348	6-D766	ER-701107	8-R803	ET-353734	5-TR344
BC-716166	15-53	ED-713348	6-D769	ER-701107	8-R804	ET-353734	5-TR351
BC-716322	15-1A	ED-713348	6-D770	ER-702368	5-R660	ET-353734	5-TR350
BC-716450	15-1C	ED-713348	6-D772	ER-702368	8-R810	ET-353734	8-TR607
BC-716451	15-1B	ED-713919	5-D651	ER-702368	8-R809	ET-353734	8-TR608
BC-716452	15-1D	ED-713919	5-D652	ER-702368	8-R901	ET-717080	5-TR752
BC-716598	15-54A	ED-717077	13-D201	ER-702368	8-R903	ET-717080	6-TR753
BC-716817	15-54B	ED-717078	13-D202	ER-707982	4-R232	ET-717080	6-TR754
BD-716026	15-3	ED-717081	4-D343	ER-707982	7-R707	ET-749375	4-TR101
BD-716447	15-2	ED-717081	5-D336	ER-707982	8-R635	EV-713347	4-VR221
BD-716448	15-3B	ED-749382	7-D701	ES-706383	9-S451	EV-715108	5-VR801
BD-716449	15-2B	ED-749382	7-D707	ES-713178	1-SW103	EV-715109	5-VR803
BF-716030	1-42	ED-749384	7-D702	ES-713178	2-SW103	EV-716000	5-VR501
BF-716050	2-42	ED-749384	7-D703	ES-713958	15-S902B	EV-716000	7-VR501
BL-712799	1-33	ED-749384	7-D705	ES-713971	14-SW106	EV-716000	7-VR502
BL-712799	2-33	ED-749384	7-D704	ES-715111	11-S901	EV-716000	7-VR503
BM-716024	1-M901	ED-749384	7-D706	ES-715944	1-SW102	EV-716000	7-VR504
BM-716024	2-M901	EE-716030	15-8	ES-715944	2-SW102	EV-716000	7-VR505
BR-715918	1-35	EF-300609	10-F902A	ES-715945	1-SW101	EV-716000	7-VR505
BR-715918	2-35	EF-346139	10-F901	ES-715945	2-SW101	EV-716009	6-VR751
BR-715919	1-36	EF-346139	10-F902B	ES-716001	9-S452	EV-716009	6-VR752
BR-715919	2-36	EH-713194	4-CF202B	ES-716008	6-S701	EV-716010	6-VR753
BT-715153	15-PT901A	EH-713322	4-CF202A	ES-716011	4-S101	EV-716010	6-VR754
BT-716145	15-PT901B	EH-716156	4-F101A	ES-716018	4-S601	EV-716021	5-VR381
BT-716146	15-PT901C	EH-717997	4-F101C	ES-716018	4-S401	EW-706565	15-45xC
BT-716147	15-PT901D	EH-749389	4-CF202A	ES-716201	1-SW104	EW-714002	15-45xF
BT-717998	15-PT901E	EH-749390	4-F101B	ES-716201	2-SW104	EW-715152	15-45xA
EC-706605	4-TC102	EI-359677	6-IC751	ES-716444	15-S902A	EW-716096	15-45xD
EC-706605	4-TC101	EI-708420	4-IC721	ES-749290	2-SW105	EW-716097	15-45xE
EC-713202	4-TC124	EI-713319	4-IC101	ET-306719	5-TR652	EW-716098	15-45xB
EC-713343	4-TC122A	EI-713321	4-IC201	ET-307195	4-TR382	EW-717075	15-51
EC-713343	4-TC123A	EI-714983	7-IC502	ET-307195	4-TR381	HE-715115	1-H902
EC-713343	4-TC125A	EI-714983	7-IC501	ET-307195	4-TR383	HP-715114	1-H901
EC-713343	4-TC126A	EI-715106	7-IC701	ET-307195	8-TR605	HP-715114	2-H901
EC-716004	8-C811	EI-716003	8-IC801	ET-307195	9-TR451	HZ-716172	1-32
EC-716006	8-C812	EI-716014	4-IC301	ET-307195	9-TR452	MB-712818	2-32
EC-716006	8-C814	EI-716015	4-IC401	ET-307195	9-TR432	MB-712818	1-59
EC-716012	4-PVC	EI-716017	5-IC311	ET-308867	5-TR352	MB-712818	2-59
EC-717083	4-TC122B	EI-709456	9-M01	ET-308867	6-TR751	MB-715936	1-60
EC-717083	4-TC123B	EI-713701	15-12	ET-308867	6-TR752	MB-715936	2-60
EC-717083	4-TC125B	EJ-713933	4-J801	ET-308867	6-TR755	MB-716183	1-57
EC-717083	4-TC126B	EJ-713933	12-4803	ET-308867	6-TR757	MB-716183	2-57
ED-306724	6-D758	EJ-715154	15-9901A	ET-328844	8-TR902	MB-716184	1-58
ED-306724	6-D759	EJ-716007	8-1802	ET-328861	5-TR653	MB-716184	2-58
ED-337606	6-D905	EJ-716007	15-14	ET-330225	4-TR305	MD-715139	15-25
ED-347149	8-D906	EJ-716031	15-14	ET-330225	4-TR306	MI-712812	1-47
ED-360318	6-D756	EO-709425	5-L653	ET-330225	4-TR402	MI-712812	2-47
ED-360318	6-D755	EO-709425	5-L652	ET-330225	5-TR331	MI-712817	1-56
ED-360318	6-D767	EO-713339	4-L101	ET-330225	5-TR332	MI-712817	2-56
ED-360318	6-D768	EO-713331	5-L331	ET-330225	5-TR339	MI-715920	1-50
ED-360318	6-D771	EO-713331	5-L332	ET-330225	5-TR340	MI-715920	2-50
ED-707920	10-D901	EO-713997	4-L201	ET-330225	5-TR341	MI-715935	1-40
ED-707920	10-D903	EO-714001	4-L124B	ET-330225	5-TR342	MI-715935	2-40
ED-707920	10-D903	EO-714076	4-L126A	ET-330225	5-TR345	ML-712806	1-34
ED-707920	4-D101	EO-714077	4-IT702	ET-330225	5-TR651	ML-716169	1-15
ED-713348	4-D102	EO-714078	4-IT204	ET-330225	6-TR756	ML-716169	2-15
ED-713348	4-D102	EO-714079	4-IT201	ET-330225	8-TR601	ML-716175	1-43
ED-713348	4-D333	EO-714080	4-IT203	ET-330225	8-TR602	ML-716175	2-43
ED-713348	4-D334	EO-714081	4-L122	ET-330225	8-TR603	ML-716177	1-45
ED-713348	4-D335	EO-714193	4-L121A	ET-330225	8-TR604	ML-716177	2-45
ED-713348	4-D342	EO-714195	4-L125	ET-336864	5-TR303	ML-716179	1-51
ED-713348	5-D331	EO-714196	4-L124A	ET-336864	5-TR304	ML-716179	2-51
ED-713348	5-D332	EO-714198	4-L102A	ET-338565	4-TR346	ML-716180	1-52
ED-713348	5-D337	EO-714375	4-L121B	ET-338565	4-TR347	ML-716180	2-52
ED-713348	5-D338	EO-714376	4-L126B	ET-338565	5-TR301	ML-716182	2-54
ED-713348	5-D339	EO-716020	5-L651	ET-338565	5-TR302	MR-714202	15-19
ED-713348	5-D340	EO-716445	4-1A	ET-338565	5-TR302	MR-716037	15-22
ED-713348	5-D341	EO-716446	4-1B	ET-338565	5-TR335	MS-715941	2-90
ED-713348	6-D751	EO-717079	4-L103A	ET-338565	5-TR336	MS-716036	15-21
ED-713348	6-D751	EO-717079	4-L103A	ET-338565	8-TR802	MV-716186	1-62

INDEX

PJ-W55

PART NO.	REF. NO.	PART NO.	REF. NO.	PART NO.	REF. NO.	PART NO.	REF. NO.
MV-716186	2-62	ZG-716197	2-79				
MZ-711710	1-41	ZG-716198	1-81				
MZ-711710	2-41	ZG-716198	2-81				
MZ-712804	1-38	ZG-716199	2-83				
MZ-712804	2-38	ZG-716200	2-84				
MZ-712813	1-48	ZG-716320	15-4				
MZ-712813	2-48	ZG-749268	1-71				
MZ-712814	1-49	ZG-749268	2-71				
MZ-712814	2-49	ZS-536488	1-117				
MZ-714122	15-20	ZS-536488	2-117				
MZ-715129	15-7	ZS-550708	1-114				
MZ-716028	15-6	ZS-550708	2-114				
MZ-716039	15-26	ZS-711858	15-38				
MZ-716171	1-31	ZS-711859	15-50				
MZ-716171	2-31	ZS-715943	1-123				
MZ-749256	1-39	ZS-715943	2-123				
MZ-749256	2-39	ZS-715982	1-96				
SB-715119	15-40	ZS-715982	2-96				
SB-715120	15-41	ZS-716165	15-49				
SB-715121	15-42	ZS-716168	15-46				
SB-715122	15-43	ZS-716203	1-97				
SB-715123	15-44	ZS-716203	2-97				
SB-716178	1-46	ZS-716204	1-98				
SB-716178	2-46	ZS-716204	2-98				
SB-717076	15-39	ZS-718033	15-46B				
SH-716032	15-15	ZS-749293	1-118				
SK-715130	15-9	ZS-749293	1-119				
SK-715145	15-29	ZS-749293	2-118				
SK-715146	15-30	ZS-749293	2-119				
SK-715147	15-33	ZW-716176	1-44				
SK-715148	15-36	ZW-716176	2-44				
SK-715149	15-37	ZW-716181	1-53				
SK-716041	15-31	ZW-716181	2-53				
SK-716042	15-32	ZW-716206	1-103				
SK-716044	15-35	ZW-716206	2-103				
SK-716167	15-34						
SK-717084	15-9B						
SS-715142	15-47						
SS-715143	15-48						
SZ-716164	15-55						
SZ-716325	15-56						
SZ-716596	15-16						
SZ-716597	15-17						
TA-716812	15-24						
TC-712823	1-93						
TC-712823	2-93						
TK-716323	15-27						
TK-716324	15-28						
ZG-712822	1-23						
ZG-712822	2-23						
ZG-713699	15-10						
ZG-714206	15-23						
ZG-714214	15-13						
ZG-714215	15-11						
ZG-715921	1-72						
ZG-715921	2-72						
ZG-715922	1-80						
ZG-715922	2-80						
ZG-715940	1-73						
ZG-715940	2-73						
ZG-716029	15-5						
ZG-716187	1-67						
ZG-716187	2-67						
ZG-716188	1-68						
ZG-716188	2-68						
ZG-716189	1-69						
ZG-716189	2-69						
ZG-716190	1-70						
ZG-716190	2-70						
ZG-716191	1-74						
ZG-716191	2-74						
ZG-716192	1-75						
ZG-716192	2-75						
ZG-716193	1-76						
ZG-716193	2-76						
ZG-716194	1-77						
ZG-716194	2-77						
ZG-716195	1-78						
ZG-716195	2-78						
ZG-716197	1-79						

AKAI

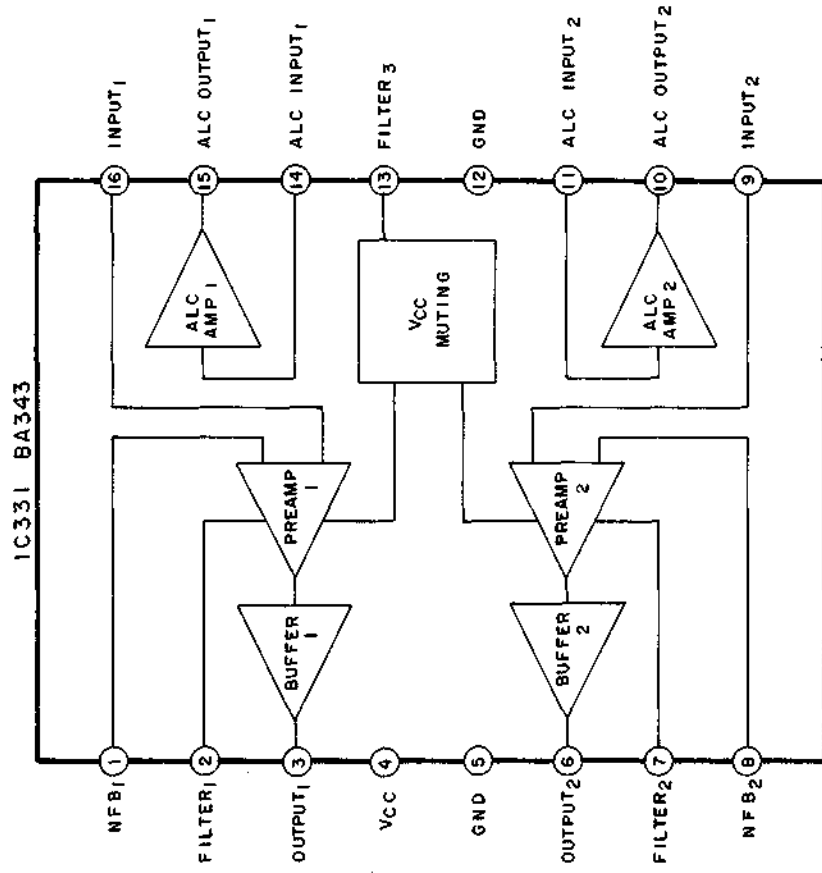
MODEL PJ-W55FS

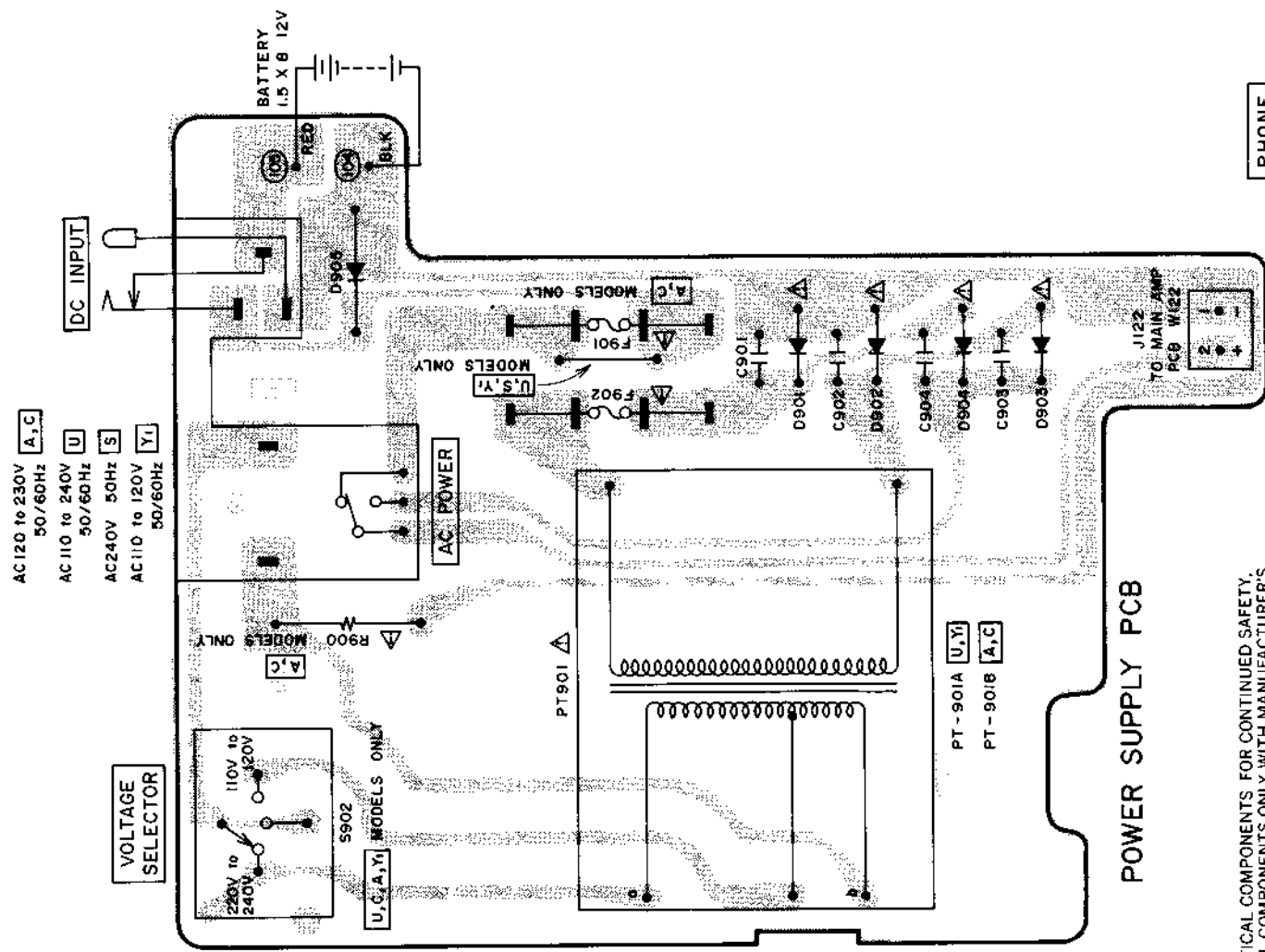
SCHEMATIC DIAGRAM AND PC BOARD

TABLE OF CONTENTS

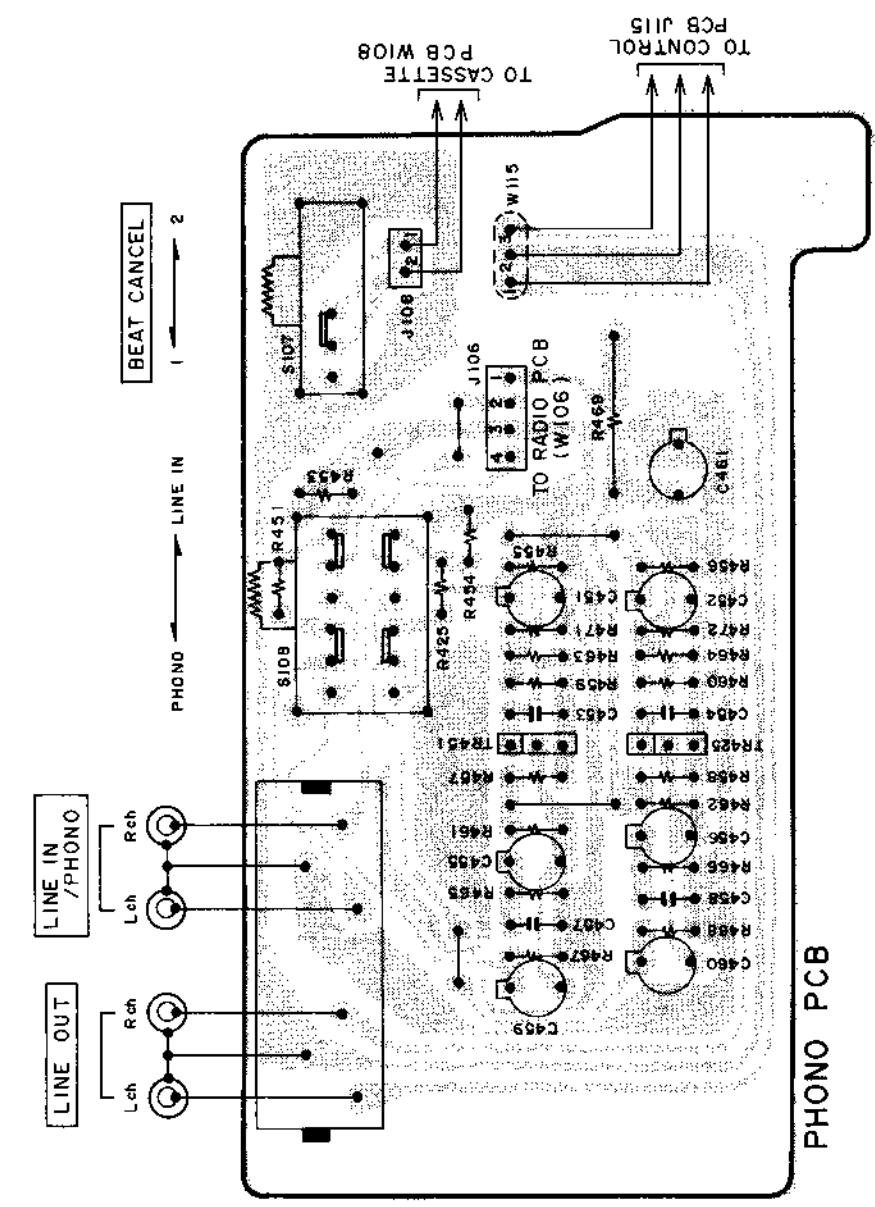
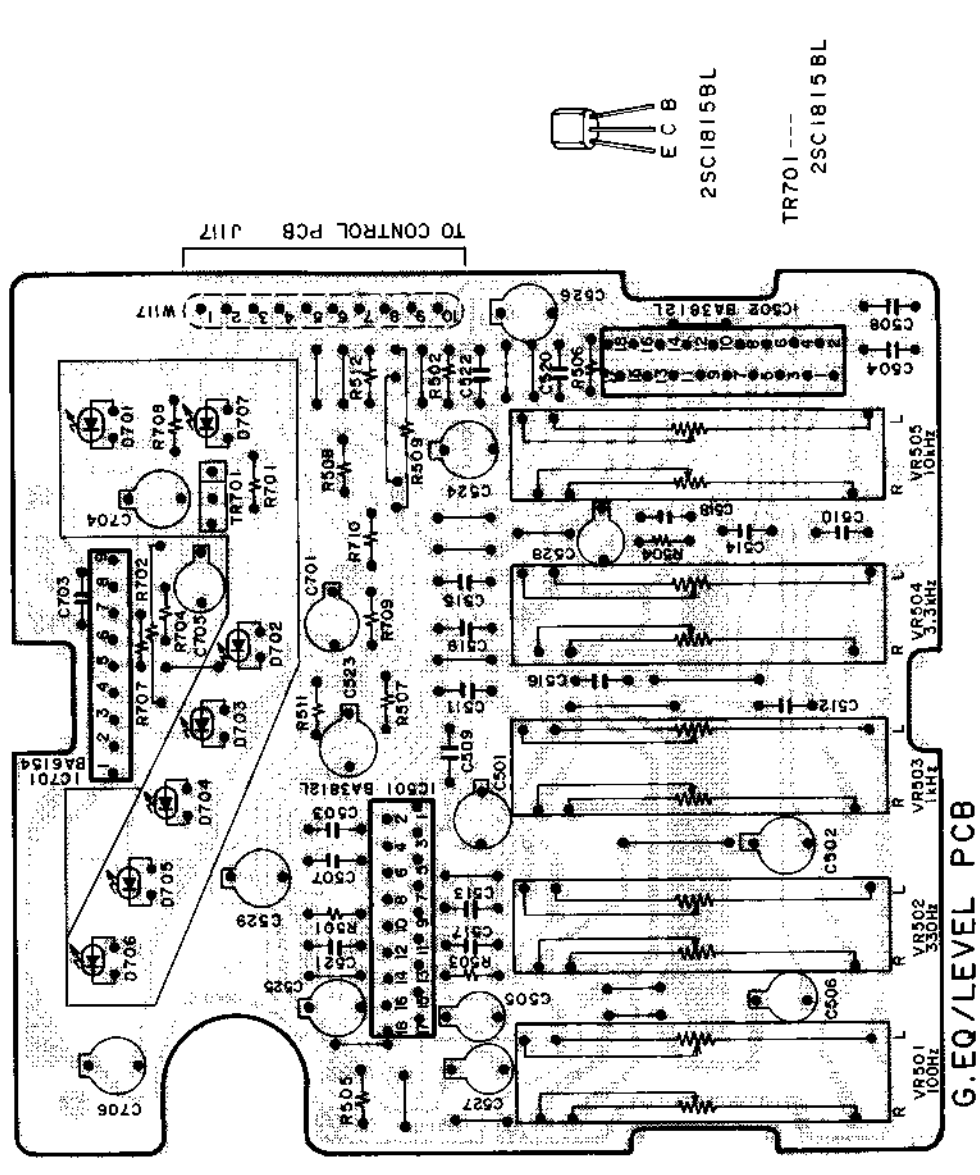
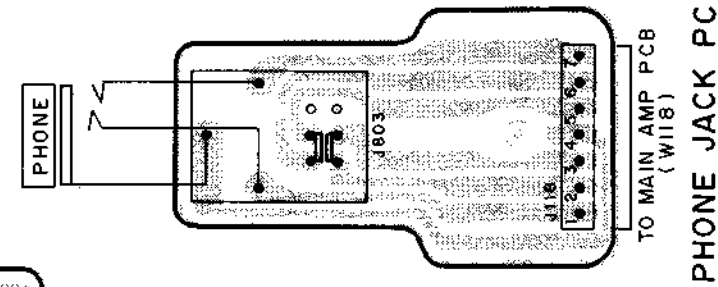
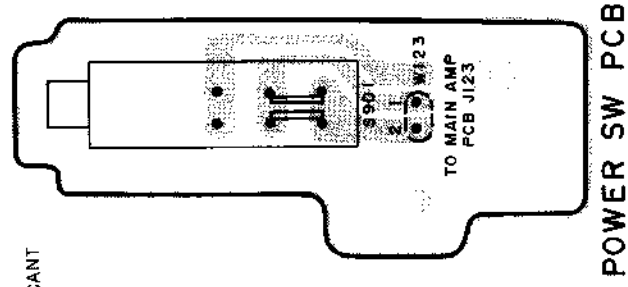
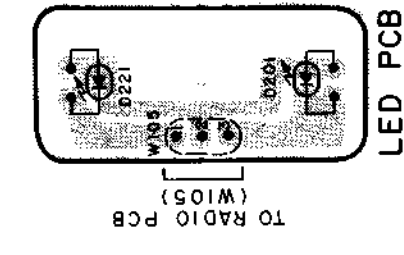
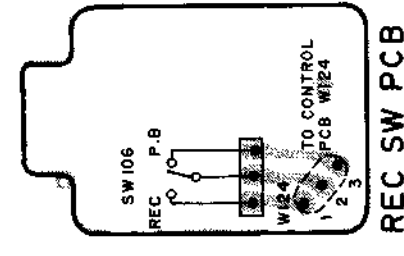
1. SCHEMATIC DIAGRAM OF ICs	1
2. PC BOARD (PJ-W55FS/FU)	3
3. SCHEMATIC DIAGRAM (PJ-W55FS/FU)	5
4. SCHEMATIC DIAGRAM (PJ-W55FL)	6
5. PC BOARD (PJ-W55FL)	7

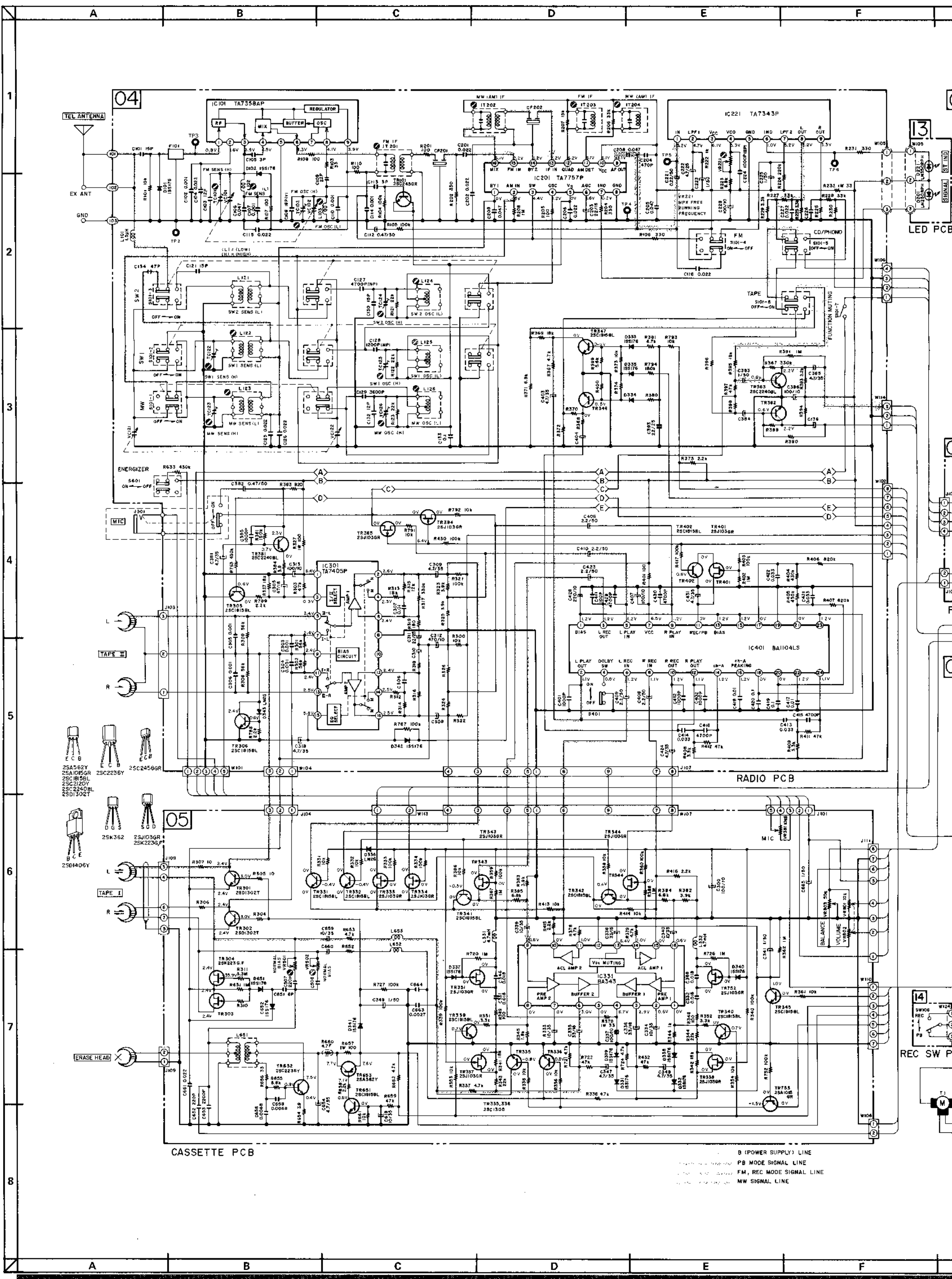
BA343



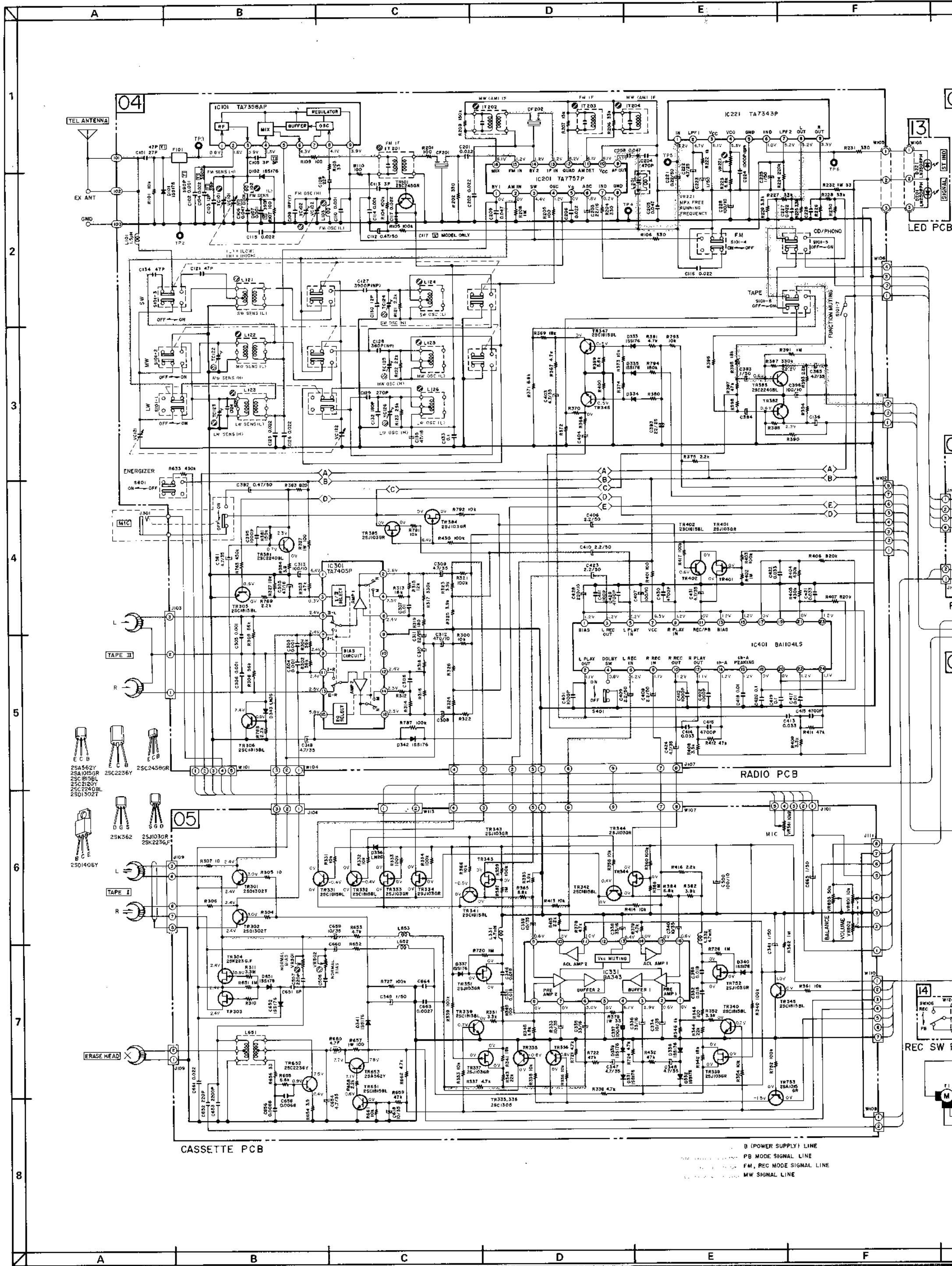


WARNING: ⚠ INDICATES SAFETY CRITICAL COMPONENTS FOR CONTINUED SAFETY. REPLACE SAFETY CRITICAL COMPONENTS ONLY WITH MANUFACTURER'S RECOMMENDED PARTS.
 AVERTISSEMENT: ⚠ IL INDIQUE LES COMPOSANTS CRITIQUES DE SÉCURITÉ. POUR MAINTENIR LE DEGRÉ DE SÉCURITÉ DE L'APPAREIL, NE REMPLACER QUE DES PIÈCES RECOMMANDÉES PAR LE FABRICANT.





B (POWER SUPPLY) LINE
 PB MODE SIGNAL LINE
 FM, REC MODE SIGNAL LINE
 MW SIGNAL LINE



04

CASSETTE PCB

RADIO PCB

05

B (POWER SUPPLY) LINE
 PB (MODE SIGNAL) LINE
 FM, REC (MODE SIGNAL) LINE
 MW (SIGNAL) LINE

TEL ANTENNA

EX ANT

TAPE II

TAPE I

ERASE HEAD

07

LED PCB

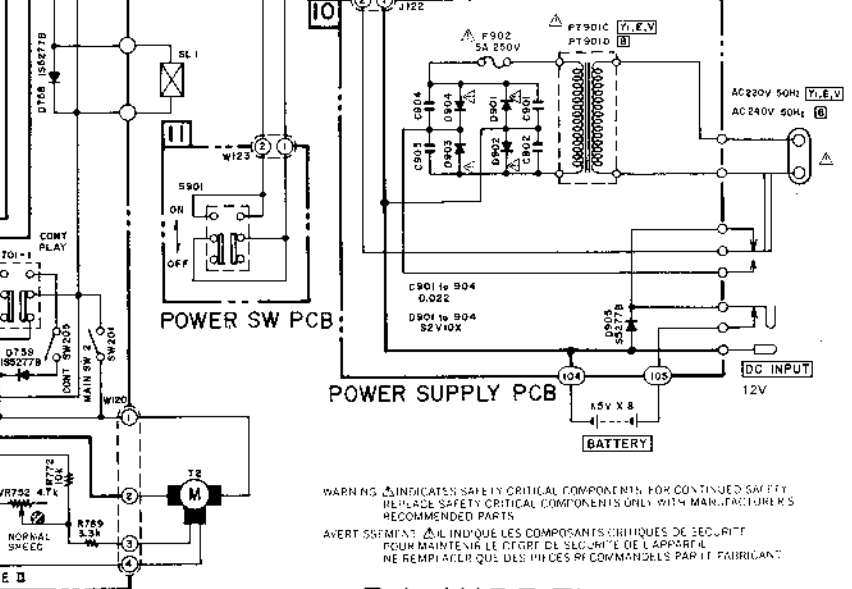
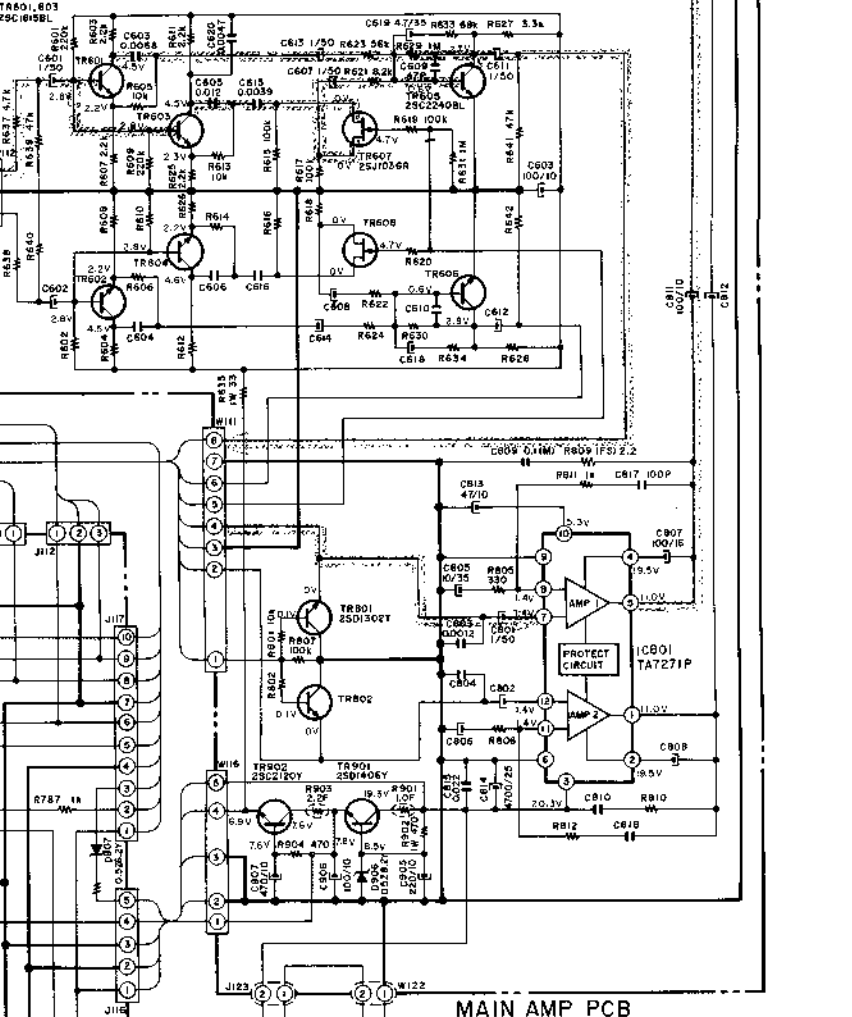
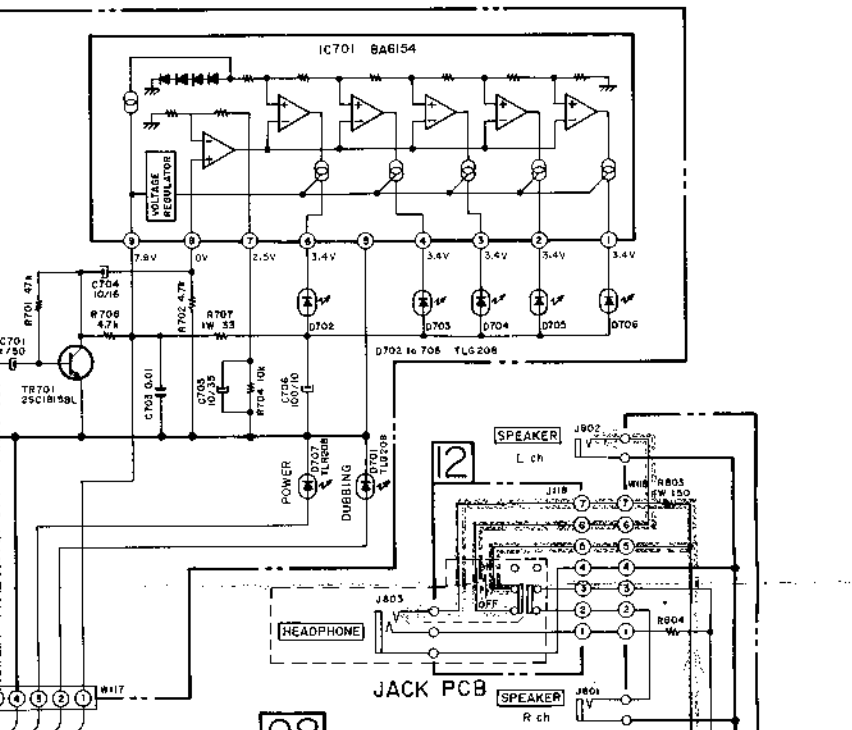
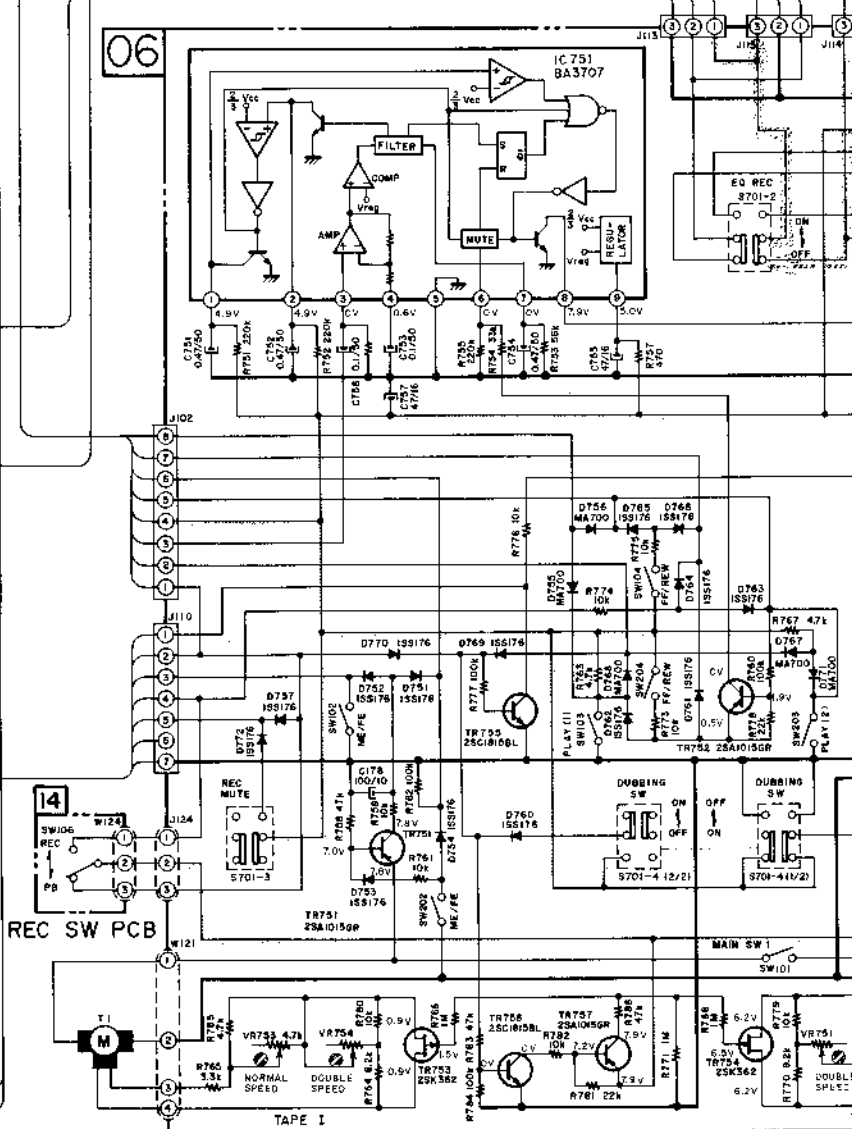
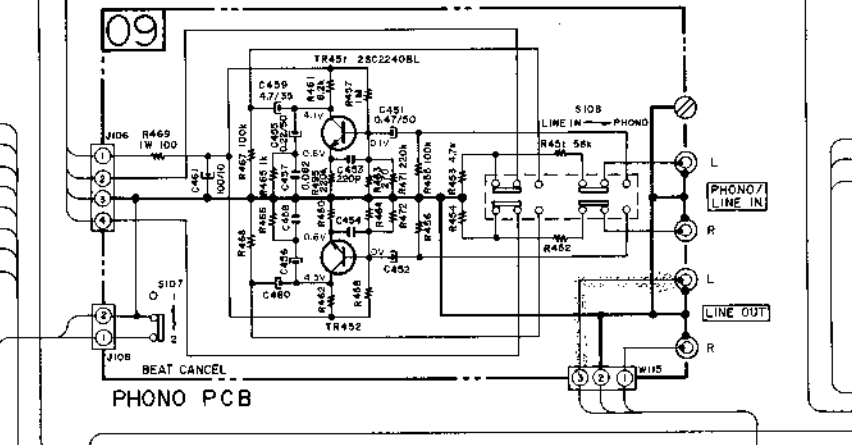
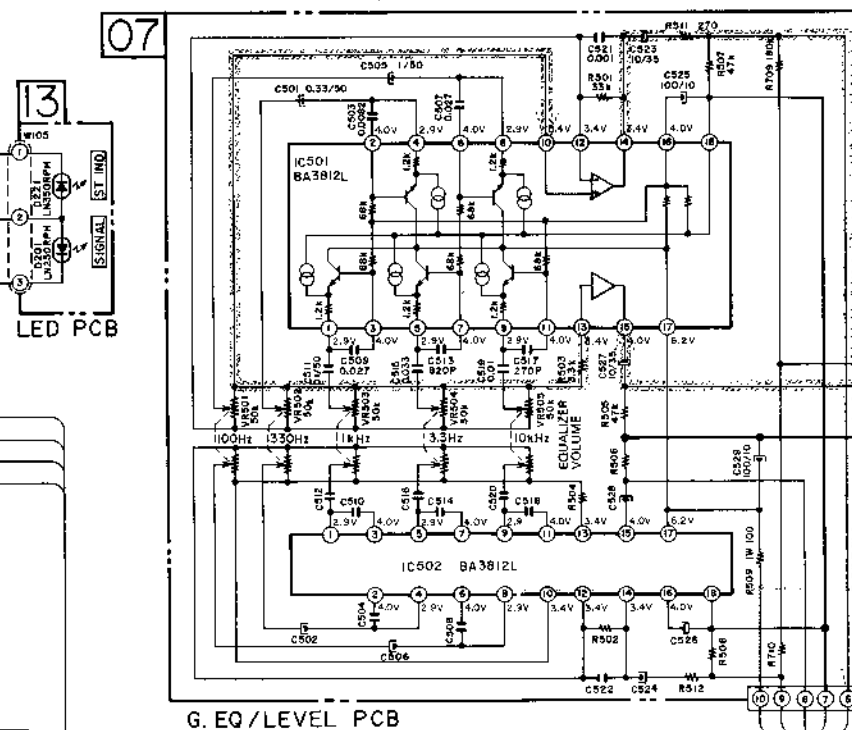
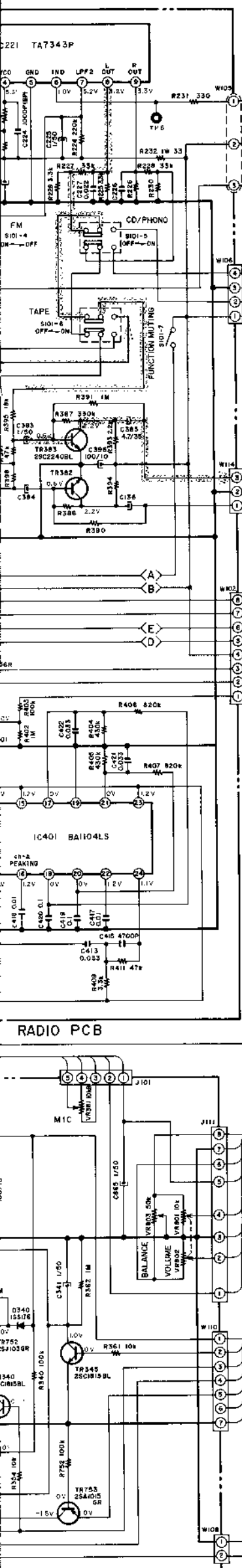
09

PHO

06

14

REC SW PCB

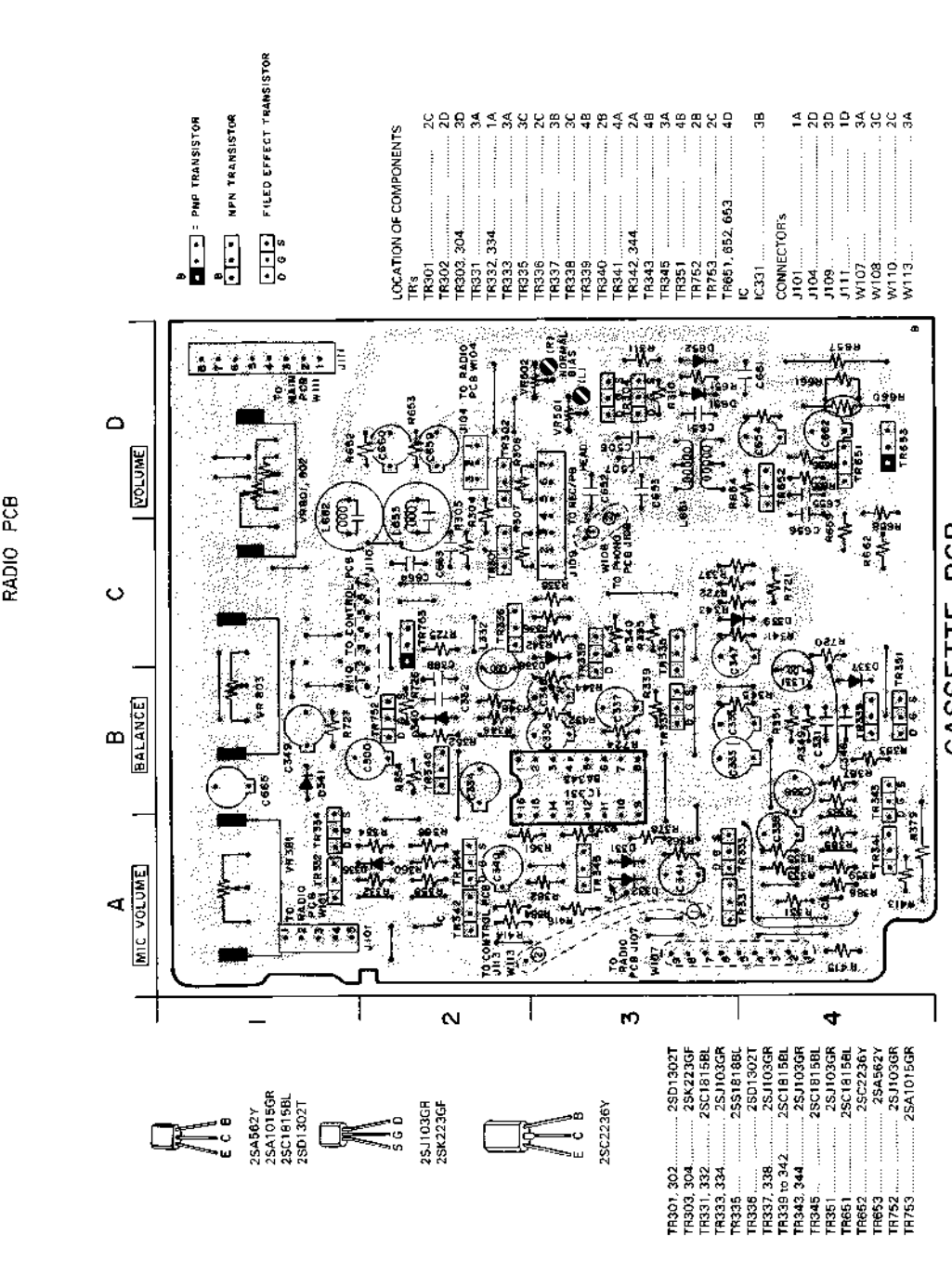
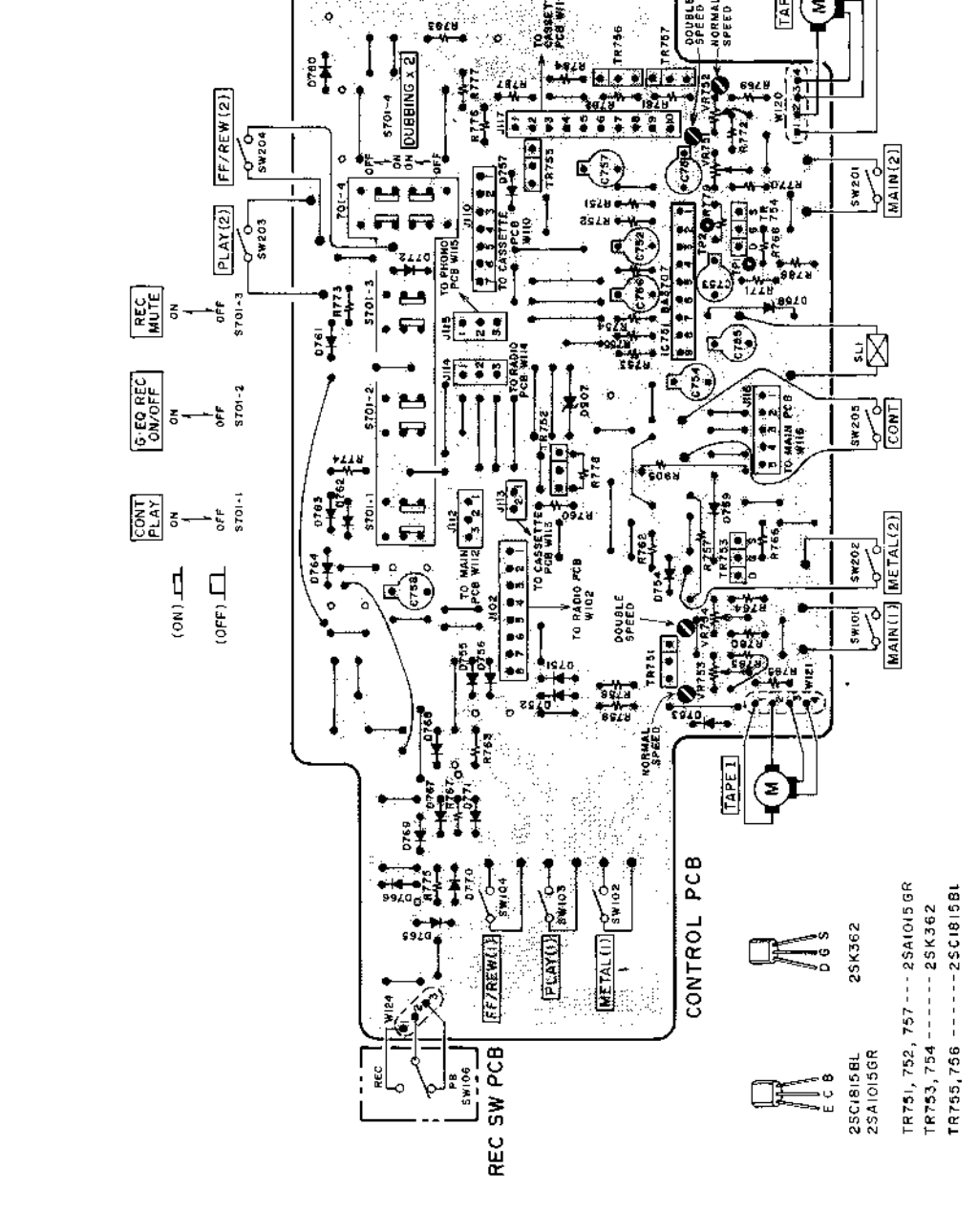
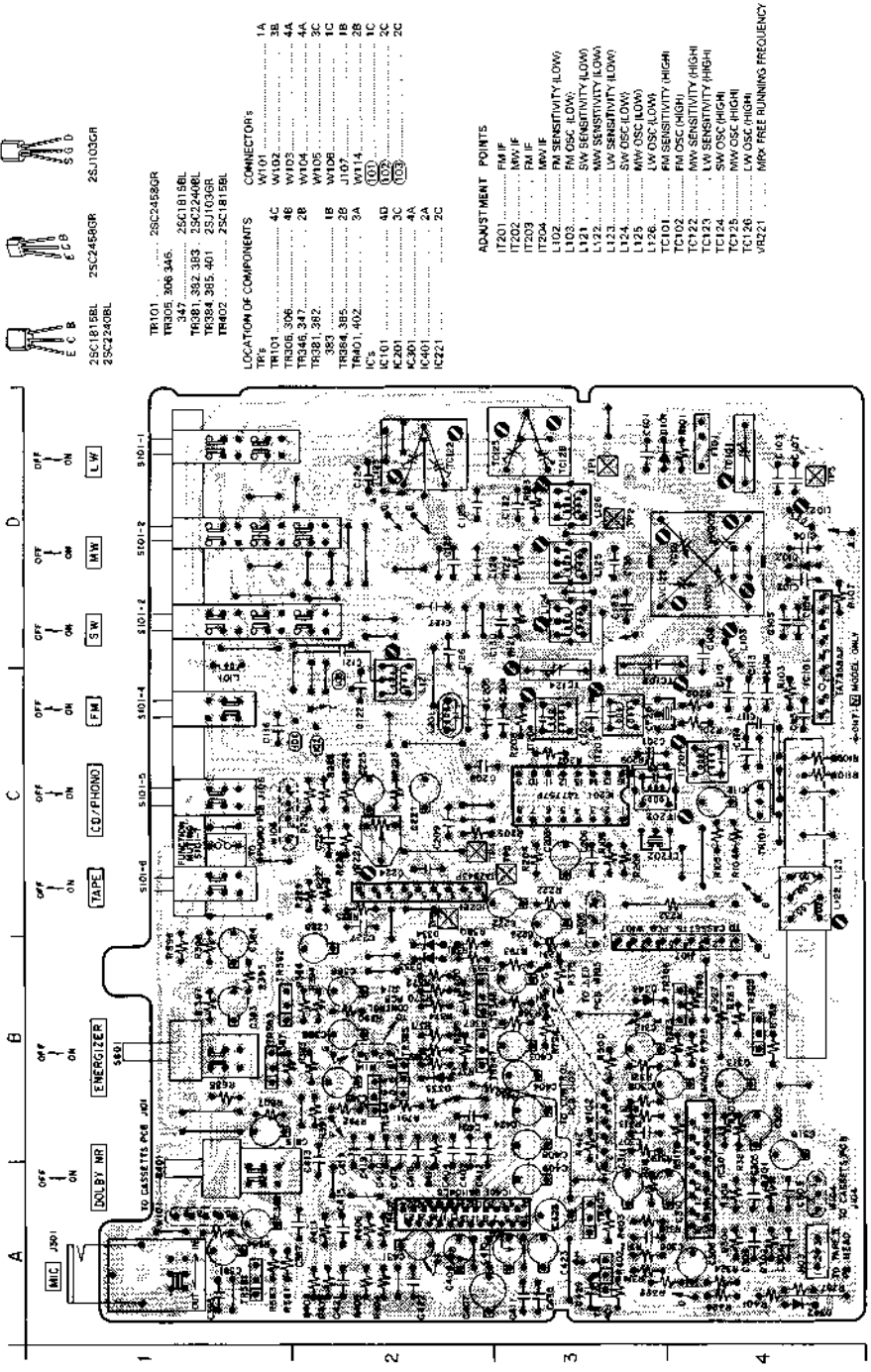
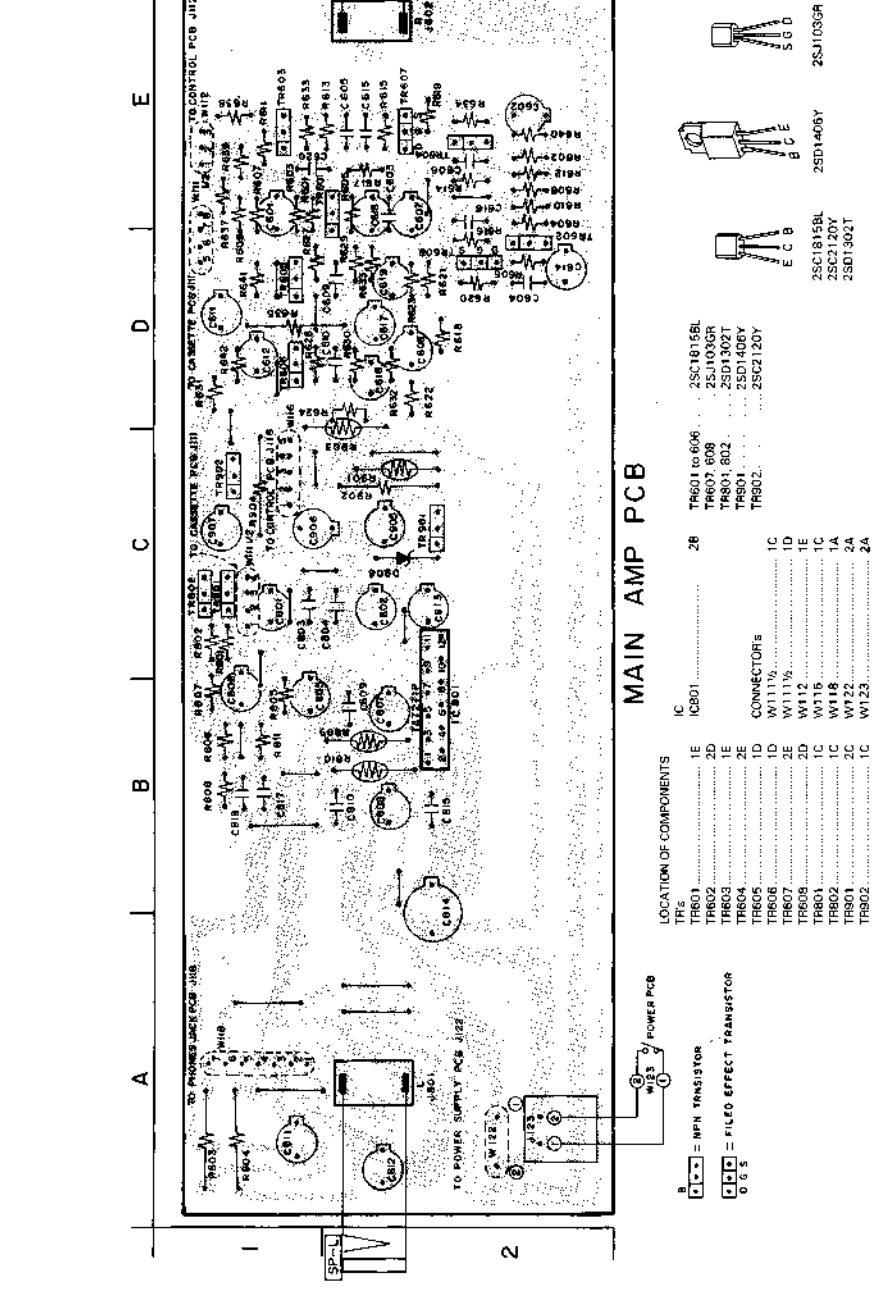


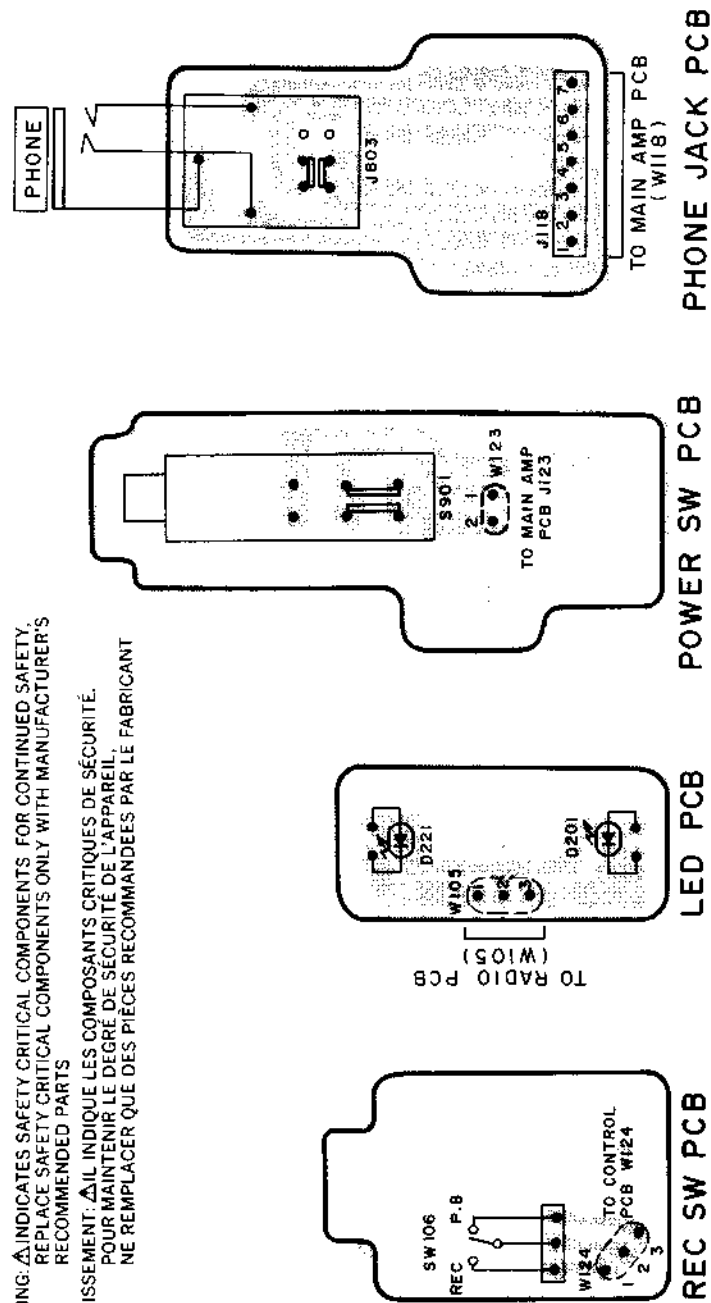
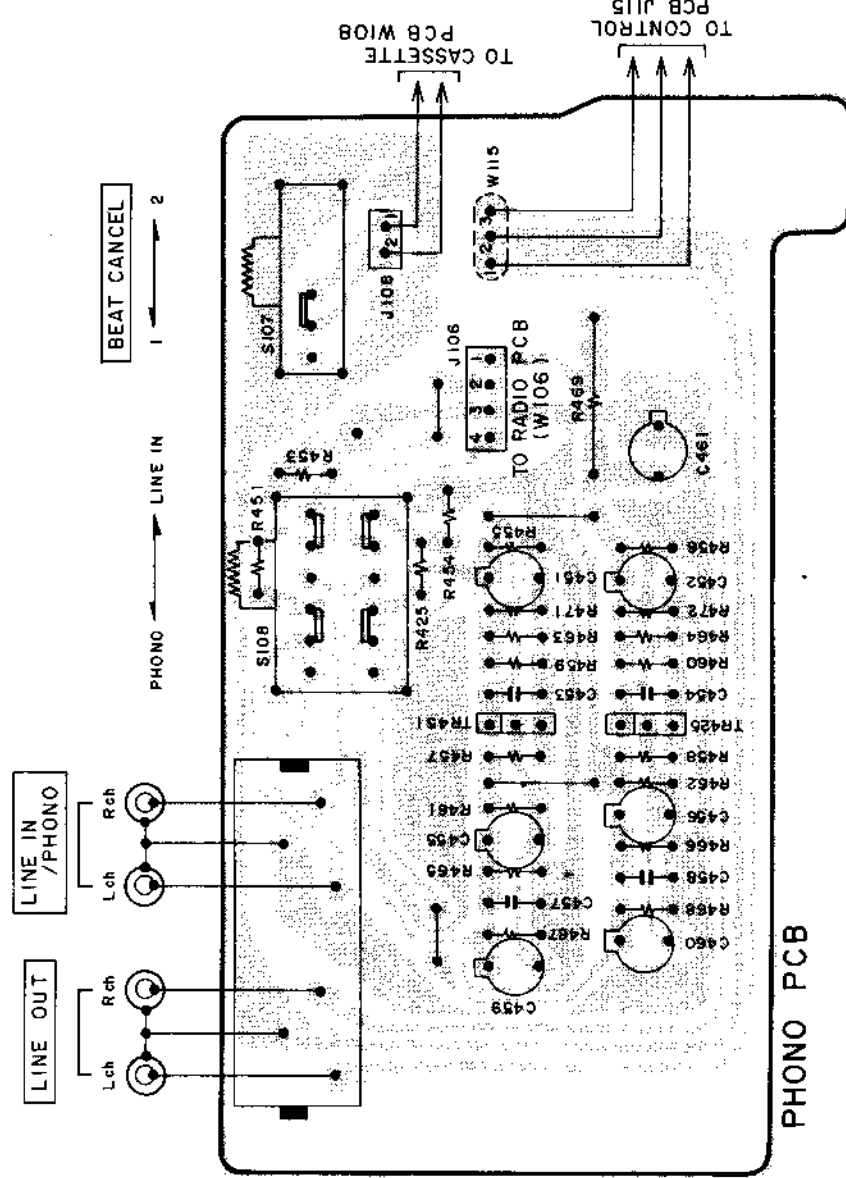
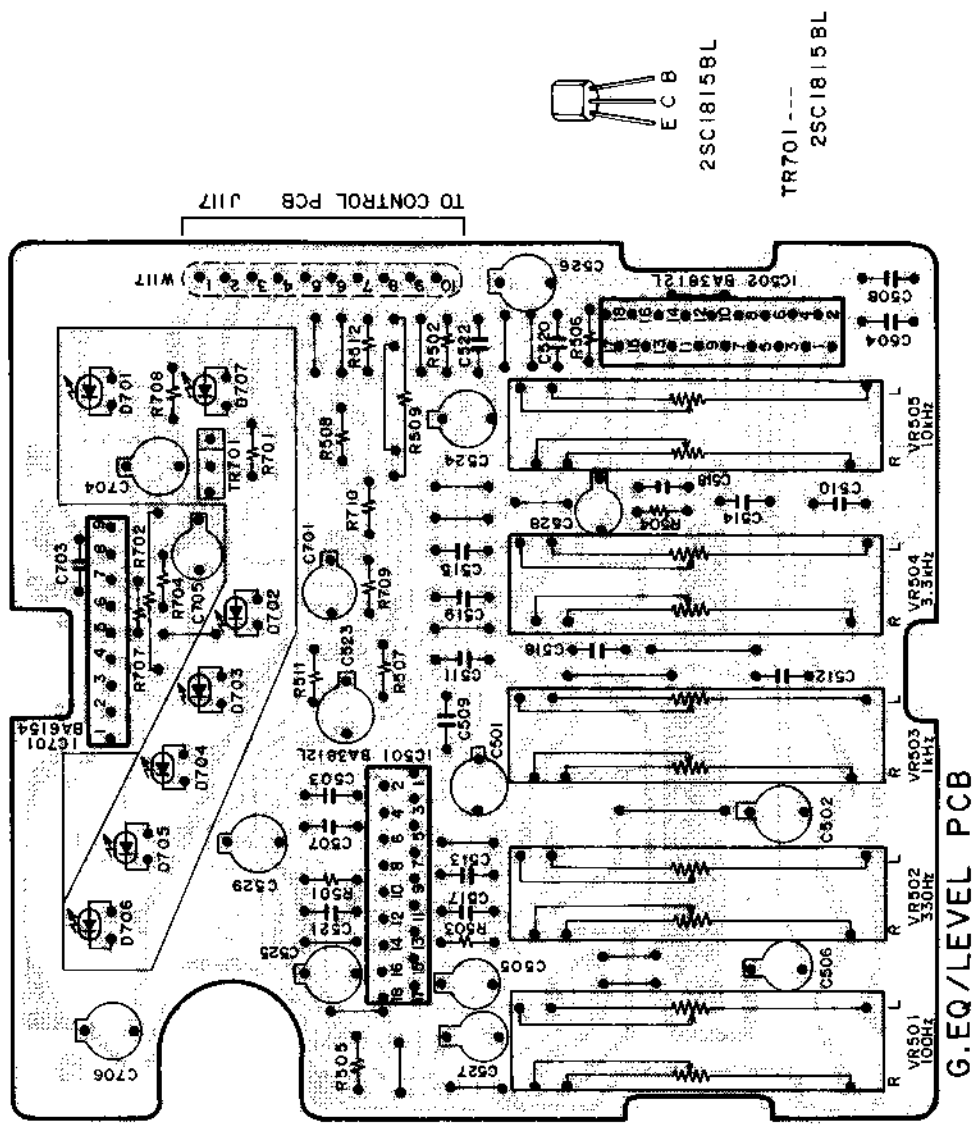
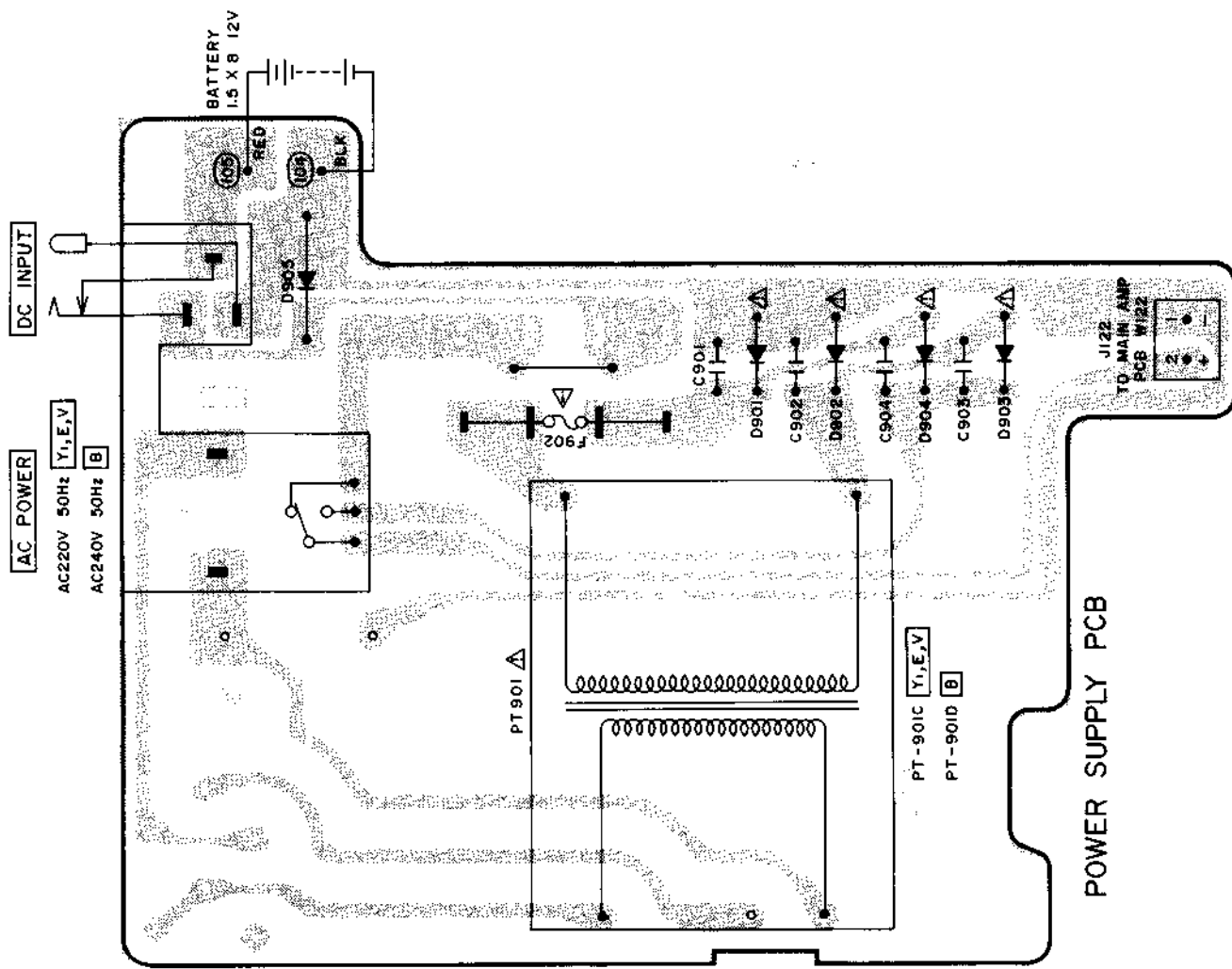
B (POWER SUPPLY) LINE
 PB MODE SIGNAL LINE
 FM, REC MODE SIGNAL LINE
 MW SIGNAL LINE

VOLTAGES ARE INDICATED AT FM TUNED MODE AND TAPE I: REC MODE

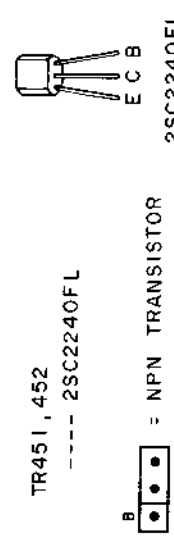
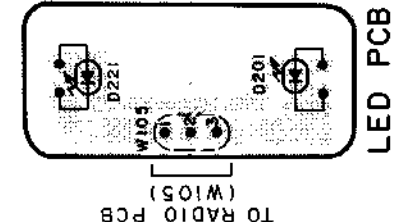
NOTES
 UNLESS OTHERWISE SPECIFIED
 ALL RESISTORS IN OHMS 1/8W(J)
 ALL CAPACITORS IN μ F 50 WV(J)
 (FS) = FAIL SAFE RESISTORS

PJ-W55 FL
SCHEMATIC DIAGRAM
 No. 860101B





WARNING: Δ INDICATES SAFETY CRITICAL COMPONENTS FOR CONTINUED SAFETY. REPLACE SAFETY CRITICAL COMPONENTS ONLY WITH MANUFACTURER'S RECOMMENDED PARTS.
 AVERTISSEMENT: Δ IL INDIQUE LES COMPOSANTS CRITIQUES DE SÉCURITÉ. POUR MAINTENIR LE DEGRÉ DE SÉCURITÉ DE L'APPAREIL, NE REMPLACER QUE DES PIÈCES RECOMMANDÉES PAR LE FABRICANT.



MODEL PJ-W55FL

25C1815BL

TR451, 452
 ---- 25C2240FL

25C2240FL

PHONO PCB

POWER SW PCB

LED PCB

REC SW PCB