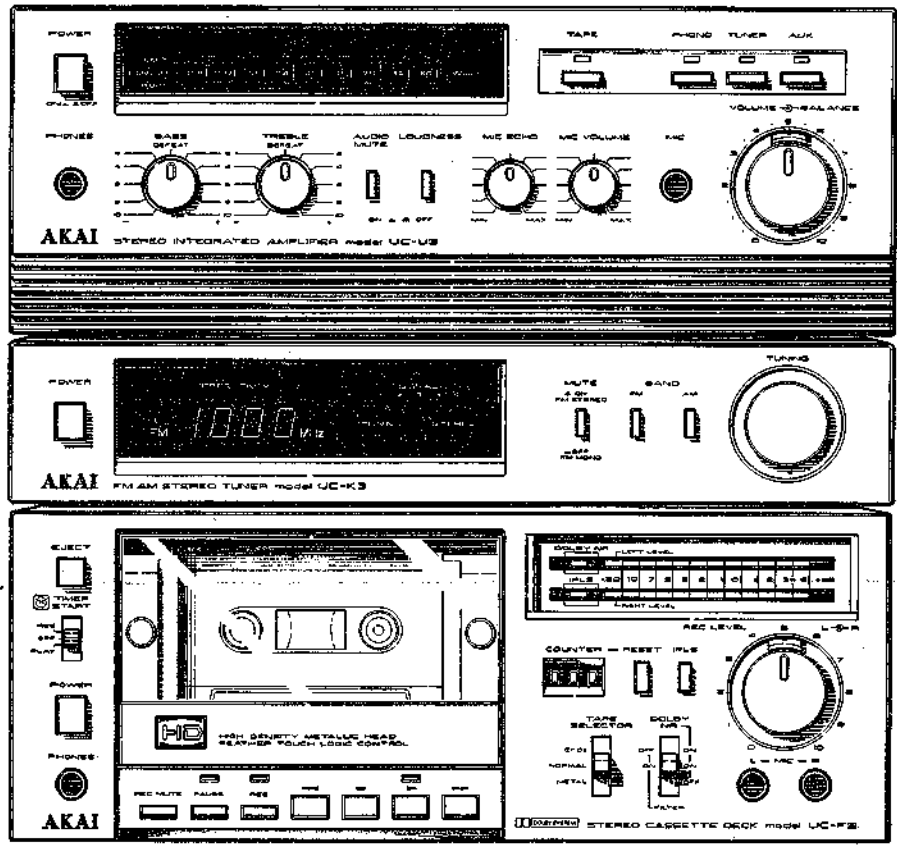


UC-K3/J/L
UC-U3E
UC-U3

AKAI SERVICE MANUAL



FM AM STEREO TUNER

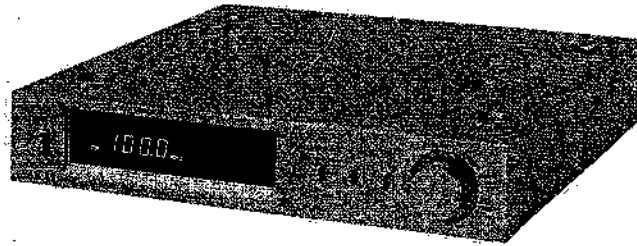
MODEL **UC-K3/J/L**

STEREO INTEGRATED AMPLIFIER

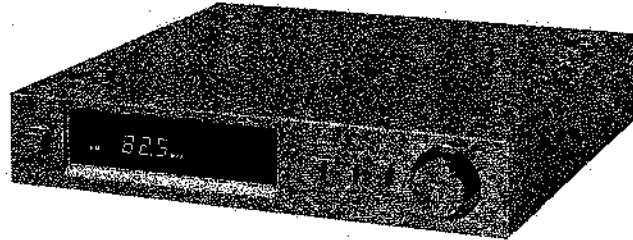
UC-U3E
UC-U3
MODEL **UC-U4**

STEREO CASSETTE DECK

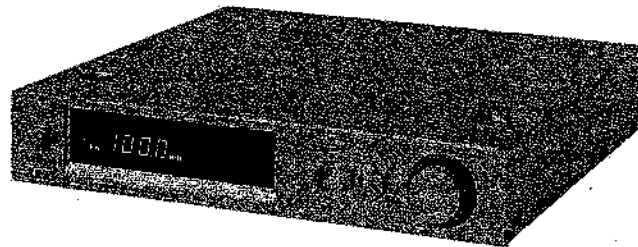
MODEL **UC-F3**



UC-K3



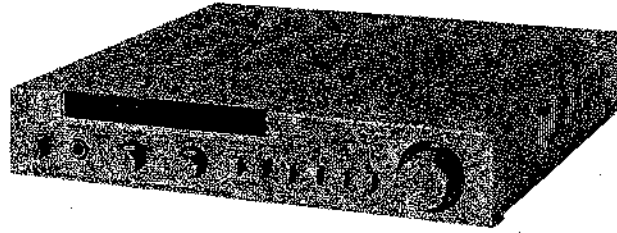
UC-K3J



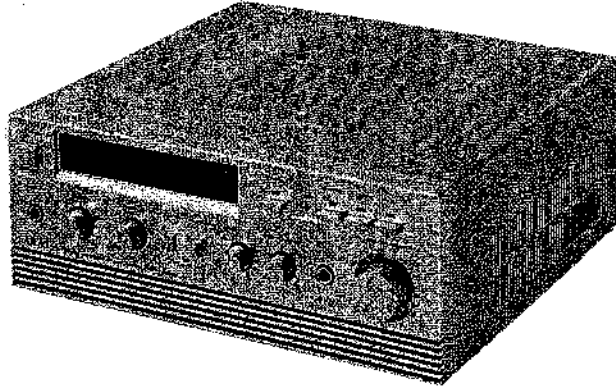
UC-K3L

FM AM STEREO TUNER
 MODEL **UC-K3/J/L**
 STEREO INTEGRATED AMPLIFIER
UC-U3E
UC-U3
 MODEL **UC-U4**
 STEREO CASSETTE DECK
 MODEL **UC-F3**

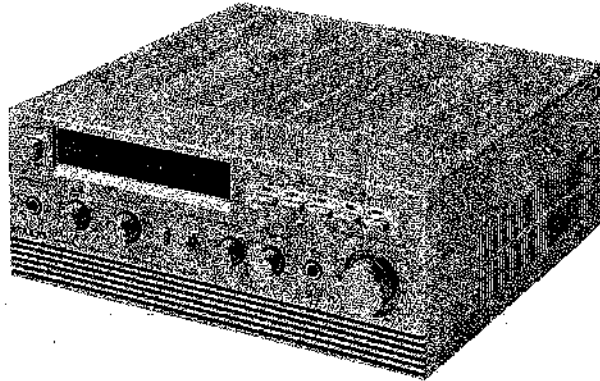
SECTION 1	MODEL UC-K3/J/L SERVICE MANUAL	1
SECTION 2	MODEL UC-U3E SERVICE MANUAL	20
SECTION 3	MODEL UC-U3 and UC-U4 SERVICE MANUAL	28
SECTION 4	MODEL UC-F3 SERVICE MANUAL	51
SECTION 5	PARTS LIST	71
SECTION 6	SCHEMATIC DIAGRAM	100



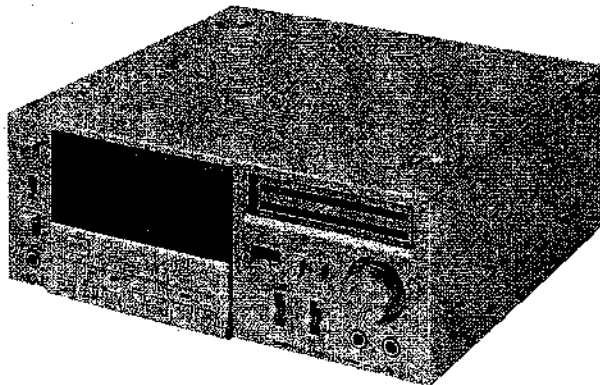
UC-U3E



UC-U3



UC-U4



UC-F3

SECTION 1

SERVICE MANUAL

MODEL UC-K3/J/L

TABLE OF CONTENTS

I. SPECIFICATIONS	2
II. DISMANTLING OF UNIT	3
III. CONTROLS	4
IV. PRINCIPAL PARTS LOCATION	5
V. VOLTAGE CONVERSION	6
VI. ADJUSTMENT	7
1. FM SECTION ADJUSTMENTS	10
2. AM (UC-K3L: MW) SECTION ADJUSTMENT	12
3. LW SECTION ADJUSTMENT	13
VII. TUNING CORD THREADING	14
VIII. CLASSIFICATION OF VARIOUS P.C BOARDS	15
1. P.C BOARD TITLES AND IDENTIFICATION NUMBERS	15
2. COMPOSITION OF VARIOUS P.C BOARDS	16

For basic adjustments, measuring methods, and operating principles, refer to GENERAL TECHNICAL MANUAL.

I. SPECIFICATIONS

FM TUNER SECTION

TUNING FREQUENCY RANGE	87.5 to 108.0 MHz 76 to 90 MHz (JPN)	
USABLE SENSITIVITY (75 ohms)	1.9 μ V	
CAPTURE RATIO	1.3 dB	
SELECTIVITY (400 kHz) (IHF)	65 dB	
IMAGE REJECTION	56 dB	60 dB (JPN)
IF REJECTION	90 dB	85 dB (JPN)
SPURIOUS REJECTION	85 dB	
AM SUPPRESSION	60 dB	
SUB CARRIER SUPPRESSION	85 dB	
S/N (MONO/STEREO)	73/65 dB	
T.H.D. (MONO/STEREO)	0.10/0.15%	0.08/0.12% (JPN)
STEREO SEPARATION (1 kHz)	45 dB	48 dB (JPN)
MUTING LEVEL	22 dB	

AM TUNER SECTION

	AM (MW for UC-K3L) LW (UC-K3L only)	
TUNING FREQUENCY RANGE	525 to 1605 kHz	135 to 350 kHz
USABLE SENSITIVITY		
(Bar Antenna)	100 μ V/m	200 μ V/m
(Ext. Antenna)	10 μ V	17 μ V
SELECTIVITY (IHF)	30 dB	30 dB
IMAGE REJECTION	48 dB	45 dB
IF REJECTION	33 dB	37 dB (JPN) 33 dB
S/N	50 dB	55 dB (JPN) 50 dB
T.H.D.	0.3%	0.3%

OUTPUT SECTION

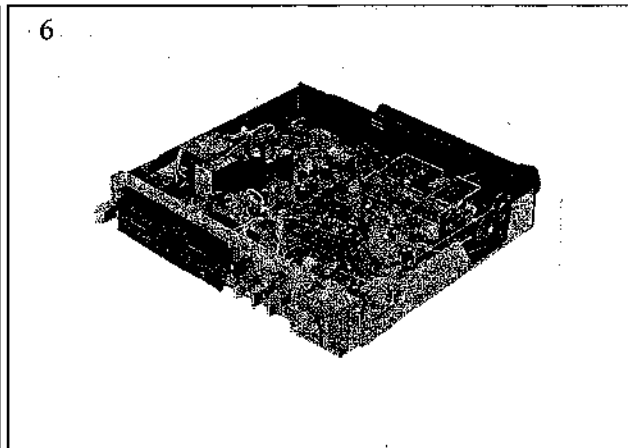
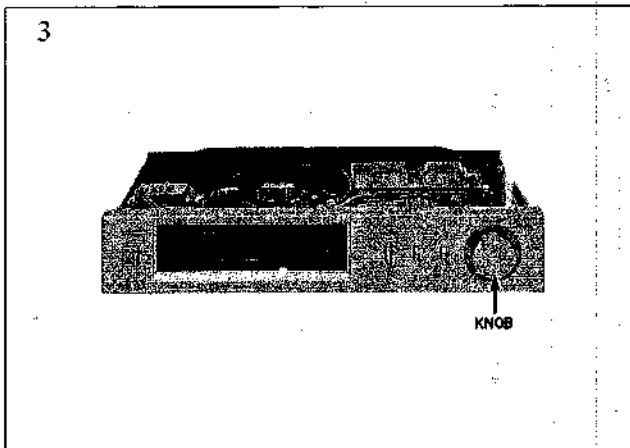
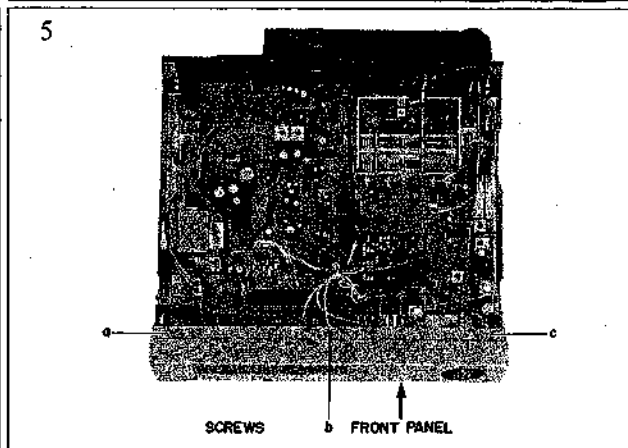
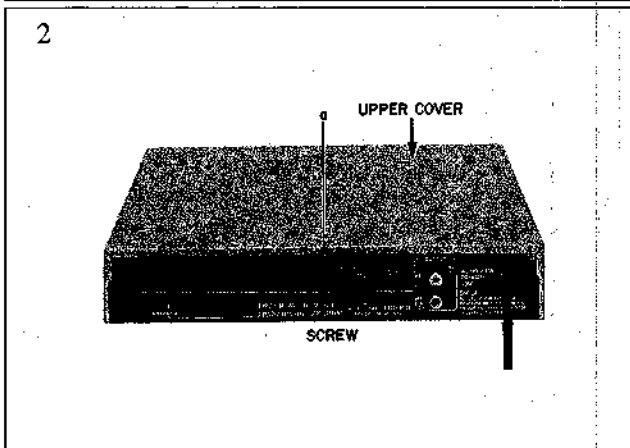
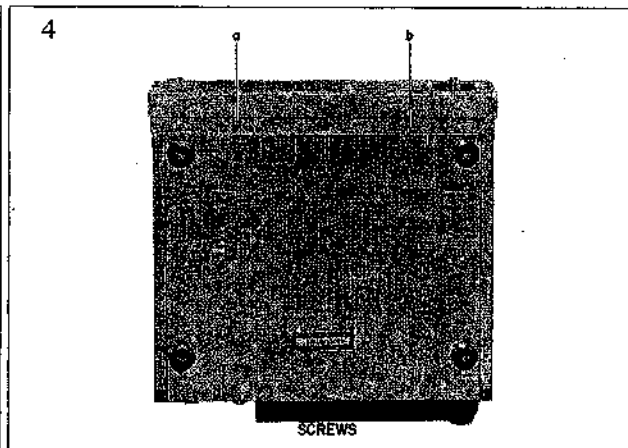
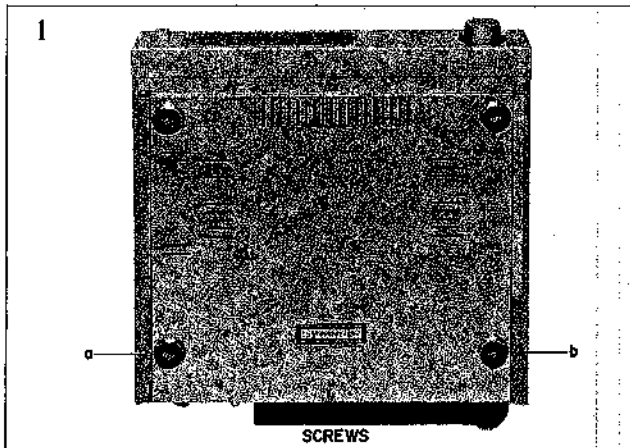
OUTPUT LEVEL	
FM (100% Mod.)	775 mV
AM (30% Mod.)	250 mV
CAL TONE	388 mV (Japan only)
POWER REQUIREMENTS	100V, 50/60 Hz for Japan 120V, 60 Hz for USA and Canada 220V, 50 Hz for Europe except UK 240V, 50 Hz for UK and Australia 110V/220V/240V, 50/60 Hz internally switchable for other countries.
POWER CONSUMPTION	10W (U/T, CSA, AAL, JPN)
DIMENSIONS	280 (W) x 56 (H) x 272 (D) mm (10.0 x 2.2 x 10.8 inches)
WEIGHT	2.95 kg (11.8 lbs)

*For improvement purposes, specifications and design are subject to change without notice.

II. DISMANTLING OF UNIT

UC-K3/J/L

In case of trouble, etc. necessitating dismantling, please dismantle in the order shown in the photographs. Reassemble in reverse order.



III. CONTROLS

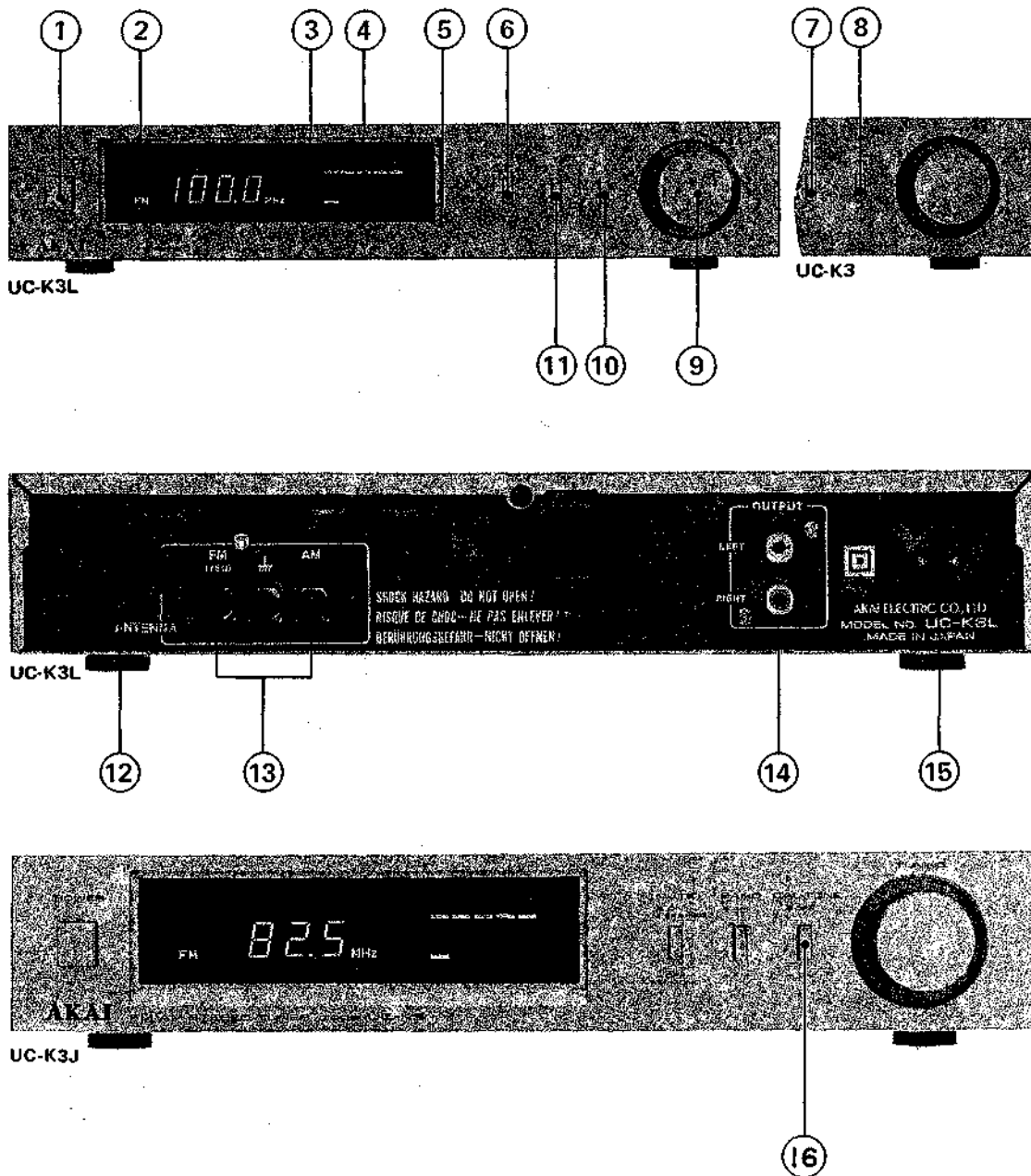


Fig. 1 Controls

- | | |
|-------------------------------|---|
| 1. POWER SWITCH | 10. MW/LW SELECTOR (UC-K3L Only) |
| 2. DIGITAL LED DISPLAY | 11. AM/FM SELECTOR (UC-K3L/K3J) |
| 3. FM TUNING INDICATOR | 12. AM FERRITE BAR ANTENNA |
| 4. SIGNAL STRENGTH INDICATORS | 13. FM/AM ANTENNA TERMINALS |
| 5. FM STEREO INDICATOR | 14. OUTPUT JACKS |
| 6. MUTE SWITCH | 15. AC INLET (Some modes are equipped with an AC cord instead.) |
| 7. FM SWITCH (UC-K3 Only) | 16. CAL TONE SWITCH |
| 8. AM SWITCH (UC-K3 Only) | |
| 9. TUNING KNOB | |

IV. PRINCIPAL PARTS LOCATION

UC-K3/J/L

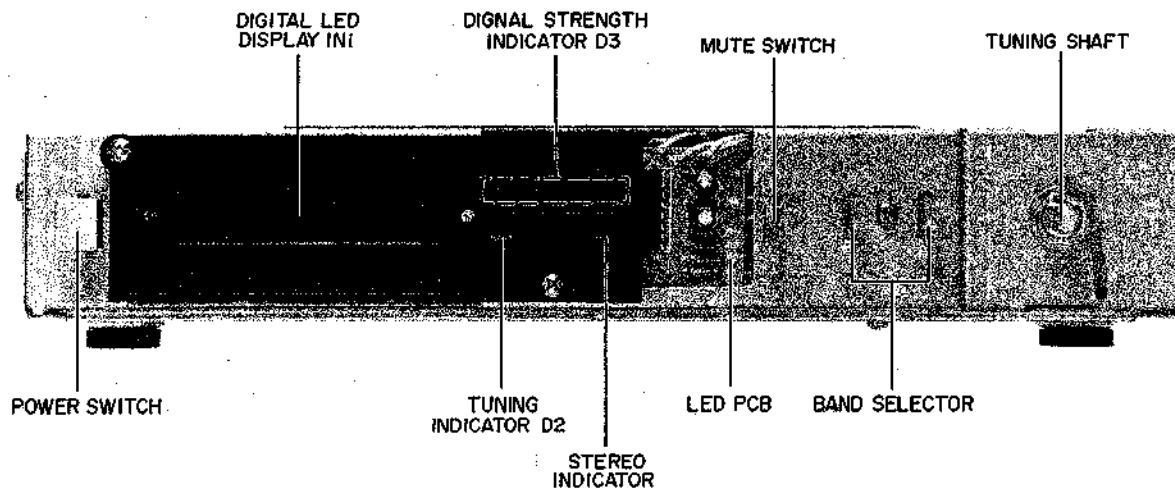


Fig. 2 Front View

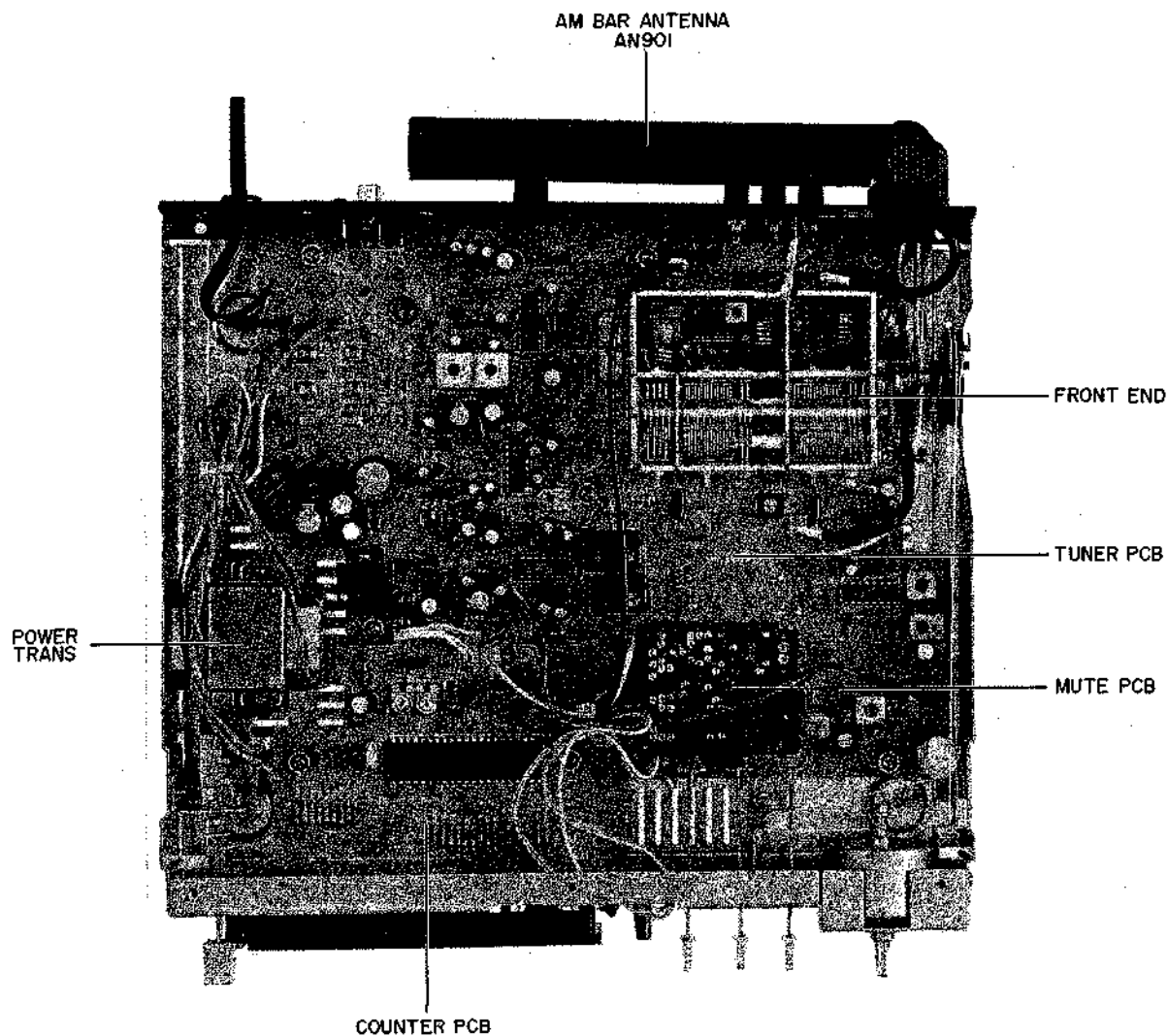


Fig. 3 Top View

V. VOLTAGE CONVERSION

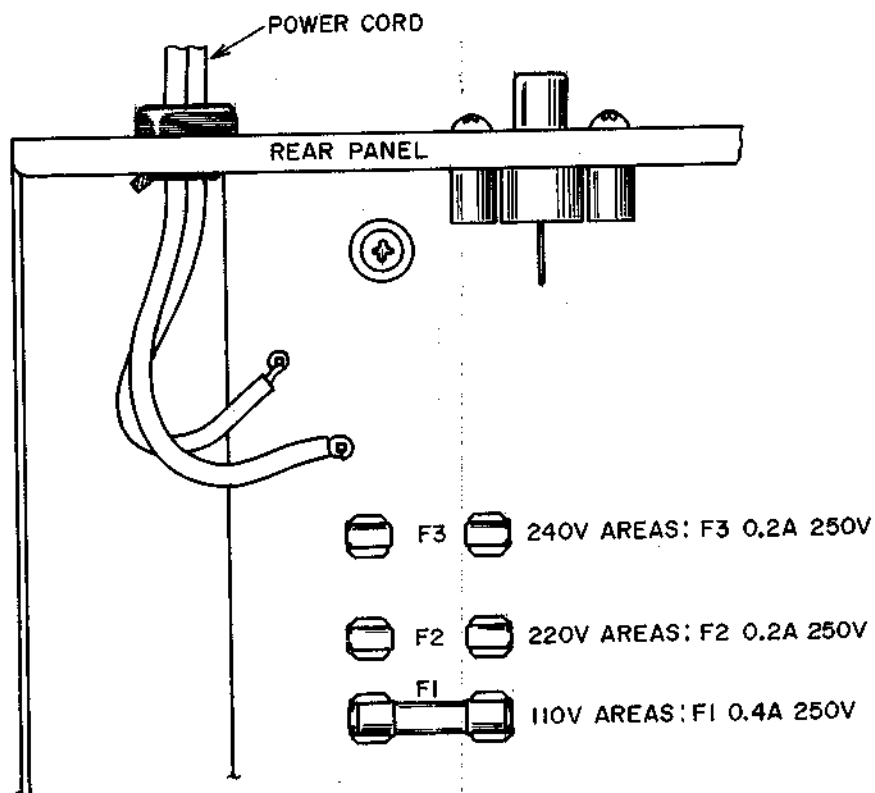


Fig. 4 Voltage Conversion (U/T Model Only)

Models for Japan, Canada, USA, Europe, UK and Australia are not equipped with this facility.

Each machine is preset at the factory according to destination but some machines can be set to 110V, 220V or 240V as required.

If voltage change is necessary, this can be accomplished as follows:

- 1) Disconnect the power cord.
- 2) Loosen the holding screws and remove the Upper Cover.
- 3) Remove the existing Line Voltage Fuse on the Tuner P.C Board and insert the required Line Voltage Fuse into the proper fuse holder. Follow markings explicitly.

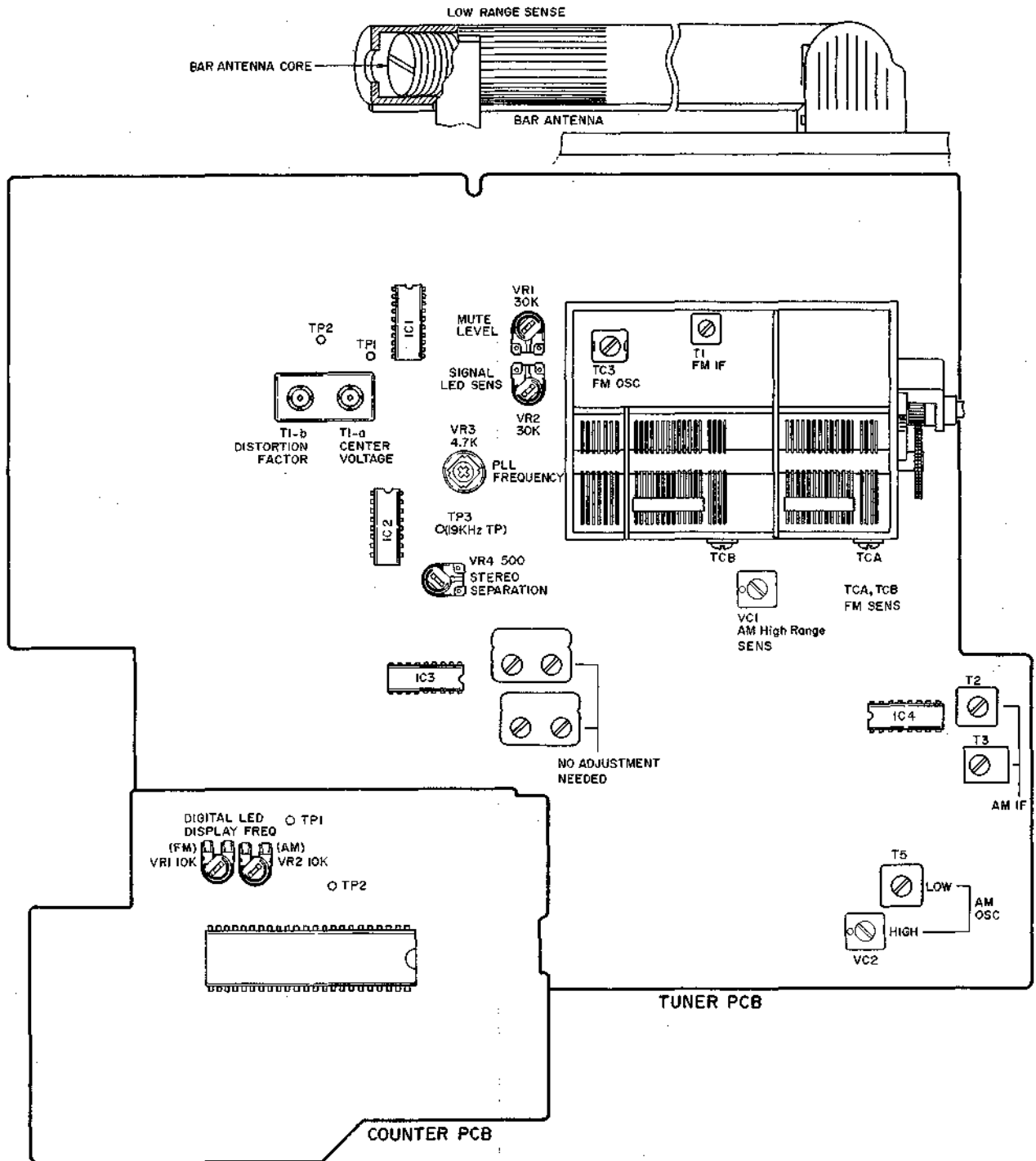


Fig. 5 Tuner P.C Board and Counter P.C Board (Model UC-K3/J)

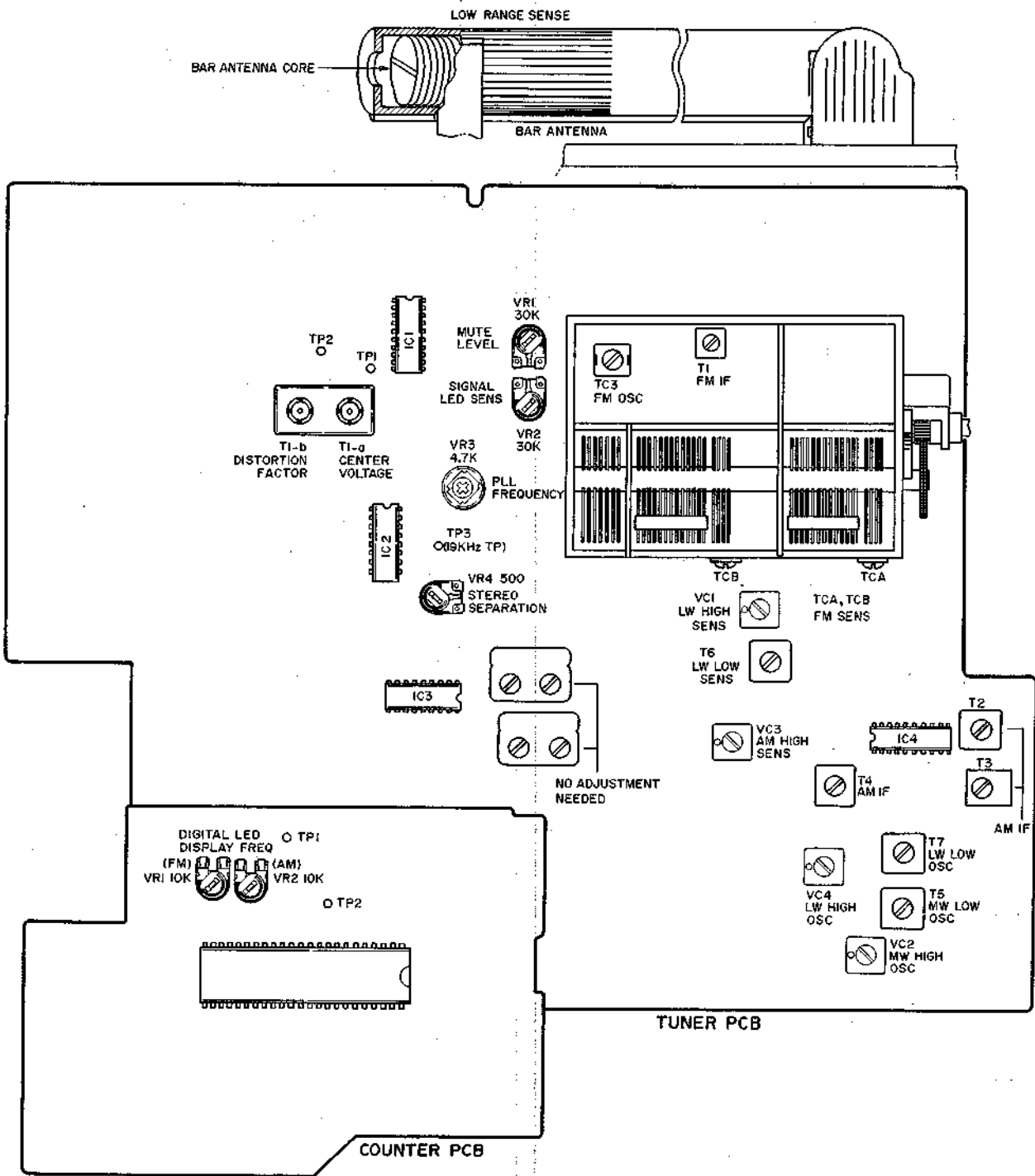


Fig. 6 Tuner P.C Board and Counter P.C Board (Model UC-K3L)

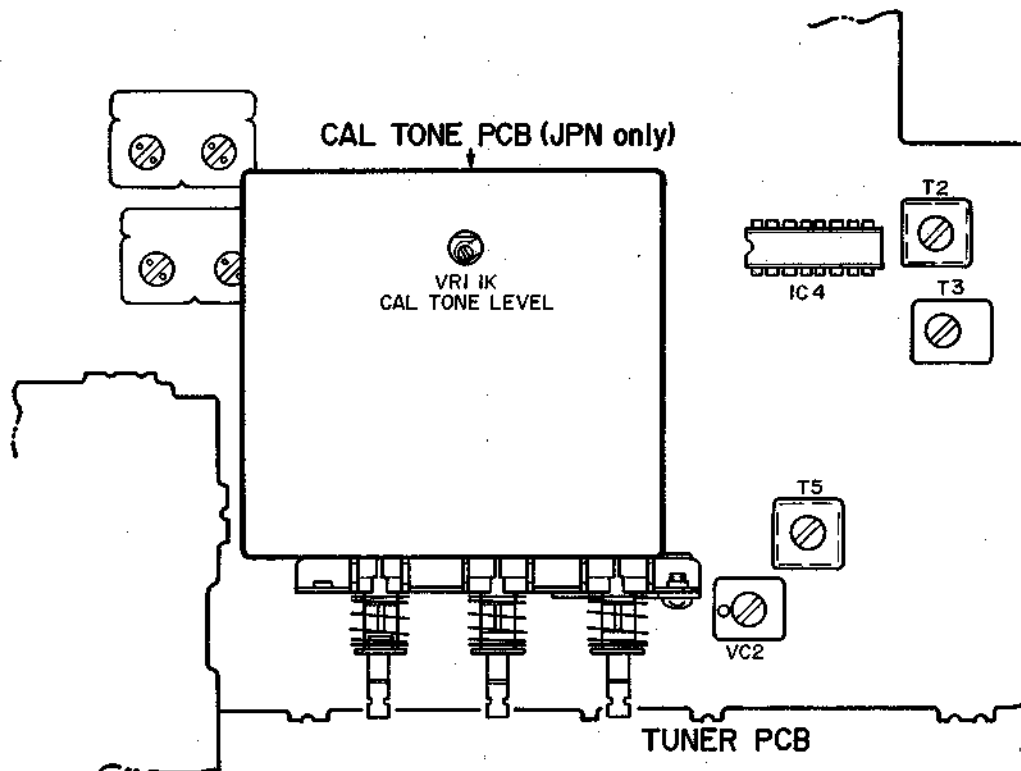


Fig. 7 CAL Tone Level Adjustment (JPN Model Only)

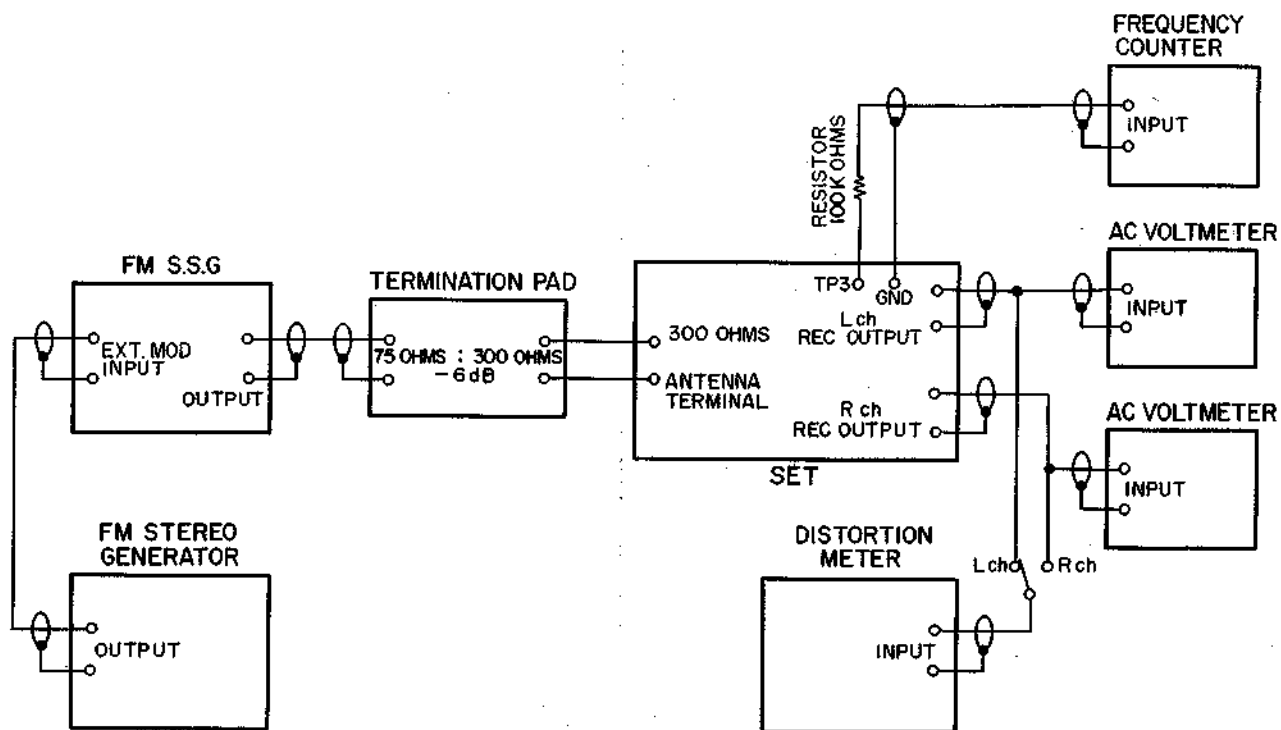


Fig. 8 Instrument Connections

1) FM Section Adjustments (Refer to Figs. 5 to 8)

Unless otherwise specified, use the adjustment points provided on the Tuner P.C Board (Figs. 5, 6)

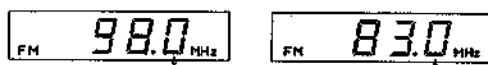
Step	Adjustment Item	Adjustment Point	Result	Remarks
1	Front-End IF Coil	T1 (BLK) (Front-End)	Maximum Noise Level	BAND switch to FM, and MODE to MONO. Turns only noise without interference from broadcasting.
2	Center Voltage	T1-a	Centered Tuning Meter Indication	Connect a Center Tuning Meter between TP1 and TP2. (See Note 1). Turns only noise without interference from broadcasting.
3	Distortion Factor	T1-b	Distortion Factor: Less than 0.1%	83 MHz (JPN), 98 MHz (OTHERS), 60 dB 1 kHz (mono 100%) input. Less than 0.1% in both channels.
4				Readjust in Steps 2 and 3.
5	Confirmation of Output Level		0 dBm \pm 3 dB	83 MHz (JPN), 98 MHz (OTHERS), 60 dB 1 kHz (mono 100%) input.
6	Signal LED Sensitivity	VR2 (30K)		83 MHz (JPN), 98 MHz (OTHERS), 40 dB 1 kHz (mono 100%) input. Adjust VR2 to a point where 5th LED of SIGNAL LED lights up. (See Note 2)
7	Digital LED Display Frequency	VR1 (10k Ω) Counter P.C Board		Apply a 83 MHz (JPN), 98 MHz (OTHERS) 60 dB 1 kHz (mono 100%) input. Short TP1 to GND on the Counter P.C Board. Adjust VR1 until 3rd numeral display becomes stable position. (See Note 3)
8	High Range Scale Indication	TC3 (Front-End)		Turn tuning knob fully clockwise. Display 91.0 MHz (JPN), 108.2 MHz (OTHERS) by adjusting TC3.
9	High Range Sensitivity	TCA, TCB (Front-End)	Distortion Factor: Less than 3%	MODE switch to FM MONO. 91.0 MHz (JPN), 108.2 MHz (OTHERS), less than 5 dB, 1 kHz (mono 100%) input.
10	Confirmation of Low Range Sensitivity		Distortion Factor Less than 3%	76 MHz (JPN), 88 MHz (OTHERS), less than 5 dB, 1 kHz (mono 100%) input. (See Notes 4 and 5)
11	Muting Level	VR1 (30K)	22 dB \pm 6 dB	MUTE switch to ON. 83 MHz (JPN), 98 MHz (OTHERS), 22 dB 1 kHz (mono 100%) input. Adjust VR1 until the output signal is reduced to zero. Vary the SSG output by \pm 6 dB and check muting operation.
12	PPL IC Free Running Frequency	VR3 (4.7K)	19 kHz \pm 50 Hz	Connect a Frequency Counter between TP3 and GND on the Tuner P.C Board. (See Note 6)
13	Stereo Separation (Left \rightarrow Right)	VR4 (500)	More than 40 dB	83 MHz (JPN), 98 MHz (OTHERS), 60 dB 1 kHz (stereo 100%) Lch input. Minimum output of Rch.
14	Stereo Separation (Right \rightarrow Left)	VR4 (500)	More than 40 dB	83 MHz (JPN), 98 MHz (OTHERS), 60 dB 1 kHz (stereo 100%) Rch input. Minimum output of Lch.
15	Confirmation of Stereo Distortion Factor		Distortion Factor: Less than 0.15%	83 MHz (JPN), 98 MHz (OTHERS), 60 dB 1 kHz (stereo 100%) input. If distortion exceeds 0.15%, first check according to Steps 2, 3, 12, 13 and 14, and then readjust according to Step 1.

Step	Adjustment Item	Adjustment Point	Result	Remarks
16	CAL Tone Level (JPN only)	VR1 (1K) (CAL Tone PCB) (Fig. 7)	388 mV output	CAL Tone Switch to ON.

NOTES: 1. For the Center Meter should be used the tuning meter and the like available as a part of the other models.

2. The 5th LED lights up at 40 dB but when the attenuator is decreased 2 dB it is extinguished.

3. (JPN Only)



The optimum point of adjustment is when the indicated figure stops flashing.

4. When the specified sensitivity of 5 dB cannot be obtained at the two frequency points, 76 MHz and 91.0 MHz (JPN), 88 MHz and 108.2 MHz (OTHERS), repeat the adjustment as described in Step 9.

5. When the sensitivity distortion factor still does not comply with the data specifications, adjust by turning the Front-End IF Coil core, but not more than 1/2 turn.

6. When connecting a Frequency Counter, connect from TP via a 100 kohms resistor.

2) AM (UC-K3L: MW) Section Adjustment (Refer to Figs. 5, 6, 9)

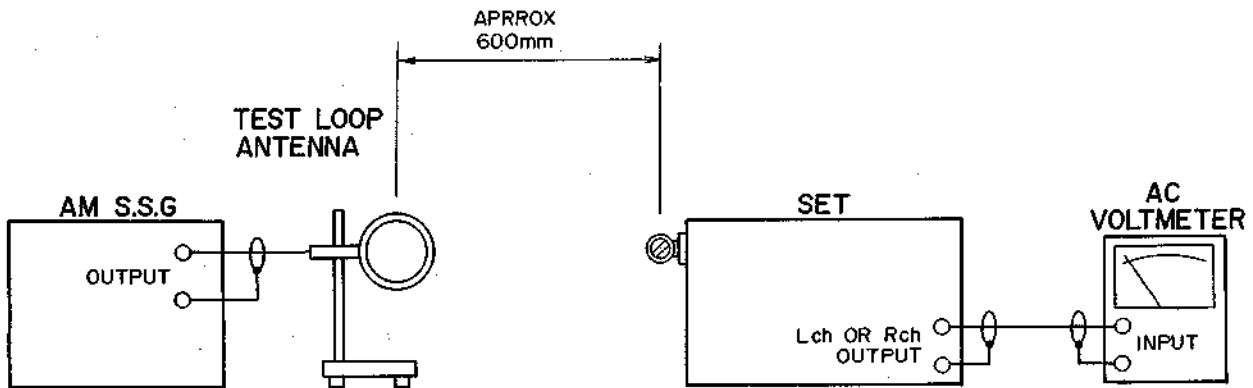


Fig. 9 Instrument Connections

Unless otherwise specified, use the adjustment points provided on the Tuner P.C Board (Fig. 6)

Step	Adjustment Item	Adjustment Point		Result	Remarks
		UC-K3	UC-K3L		
1	Digital LED Display Frequency	VR2 (10 k Ω) Counter PCB			Apply a 1,000 kHz, 50 dB input. Short TP1 to GND, and TP2 to GND on the Counter P.C Board. Adjust VR2 until 4th numeral display becomes stable position. (See Note 1)
2	AM IF Coil	T2 (BLK) T3 (BLK)	T2 (BLK) T3 (BLK) T4 (BLK)	Maximum Output	1,000 kHz, 50 dB, 400 Hz (30%) input.
3	Low Range Scale indication	T5 (RED)	T5 (RED)		Turn Tuning knob fully counterclockwise. Display 515 kHz by adjusting T5.
4	High Range Scale indication	VC2	VC2		Turn Tuning knob fully clockwise. Display 1,650 kHz by adjusting VC2.
5	Low Range Sensitivity	Bar Antenna Core	T6 Bar Antenna Core	Maximum Output Distortion Factor Less than 10%	600 kHz, 50 dB, 400 Hz (30%) input.
6	High Range Sensitivity	VC1	VC1 VC3	Maximum Output Distortion Factor Less than 10%	1,600 kHz, 50 dB, 400 Hz (30%) input.

3) LW Section Adjustment (UC-K3L Only: Refer to Figs. 6, 10)

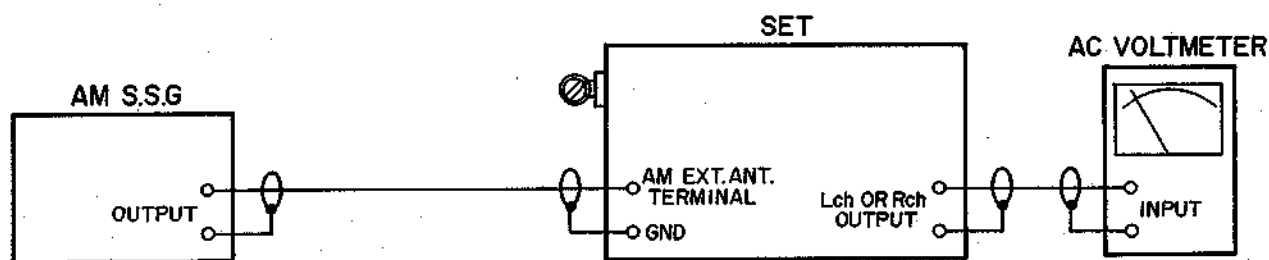
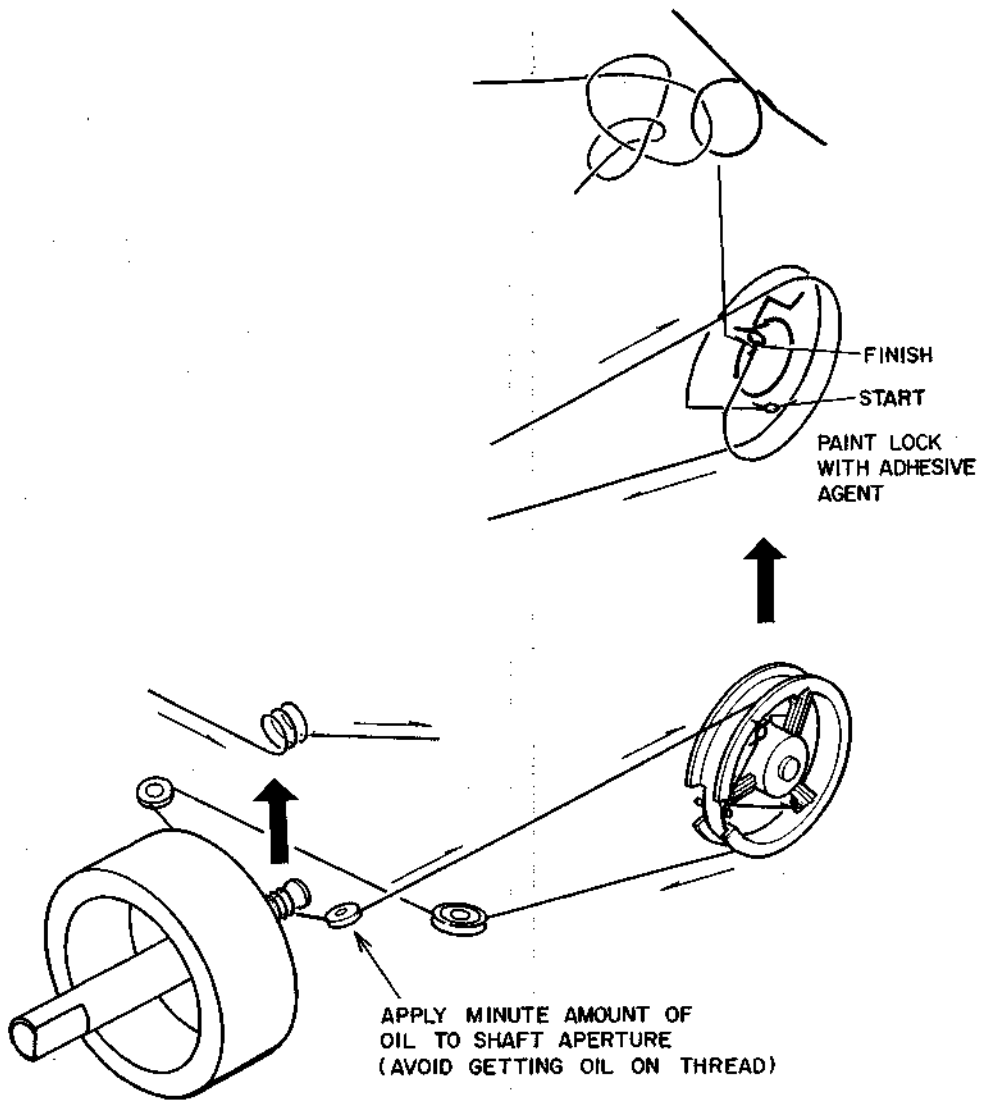


Fig. 10 Instrument Connections

Unless otherwise specified, use the adjustment points provided on the Tuner P.C Board (Fig. 6)

Step	Adjustment Item	Adjustment Point	Result	Remarks
1	High Range Scale indication	VC4		Turn tuning knob fully clockwise. Display 350 kHz by adjusting VC4.
2	Low Range Scale indication	T7		Turn tuning knob fully counterclockwise. Display 135 kHz by adjusting T7.
3	Low Range Sensitivity	T6	Maximum Output Distortion Factor Less than 10%	160 kHz, 50 dB, 400 Hz (30%) input.
4	High Range Sensitivity	VC1	Maximum Output Distortion Factor Less than 10%	300 kHz, 50 dB, 400 Hz (30%) input.

VII. TUNING CORD THREADING



VIII. CLASSIFICATION OF VARIOUS P.C BOARDS

UC-K3/J/L

1. P.C BOARD TITLES AND IDENTIFICATION NUMBERS

1) Model UC-K3

P.C Board Title	P.C Board Number	Remarks
Tuner P.C Board	A3014A3170	U/T
	A3014A3190	CSA, AAL
	A3014A3200	CEE, SAA
Counter P.C Board	A3014A3171	U/T
	A3014A3191	CSA, AAL
	A3014A3201	CEE, SAA
LED P.C Board	A3014A3173	U/T
	A3014A3193	CSA, AAL
	A3014A3203	CEE, SAA
Mute P.C Board	A3014A3172	U/T
	A3014A3192	CSA, AAL
	A3014A3202	CEE, SAA

2) Model UC-K3J

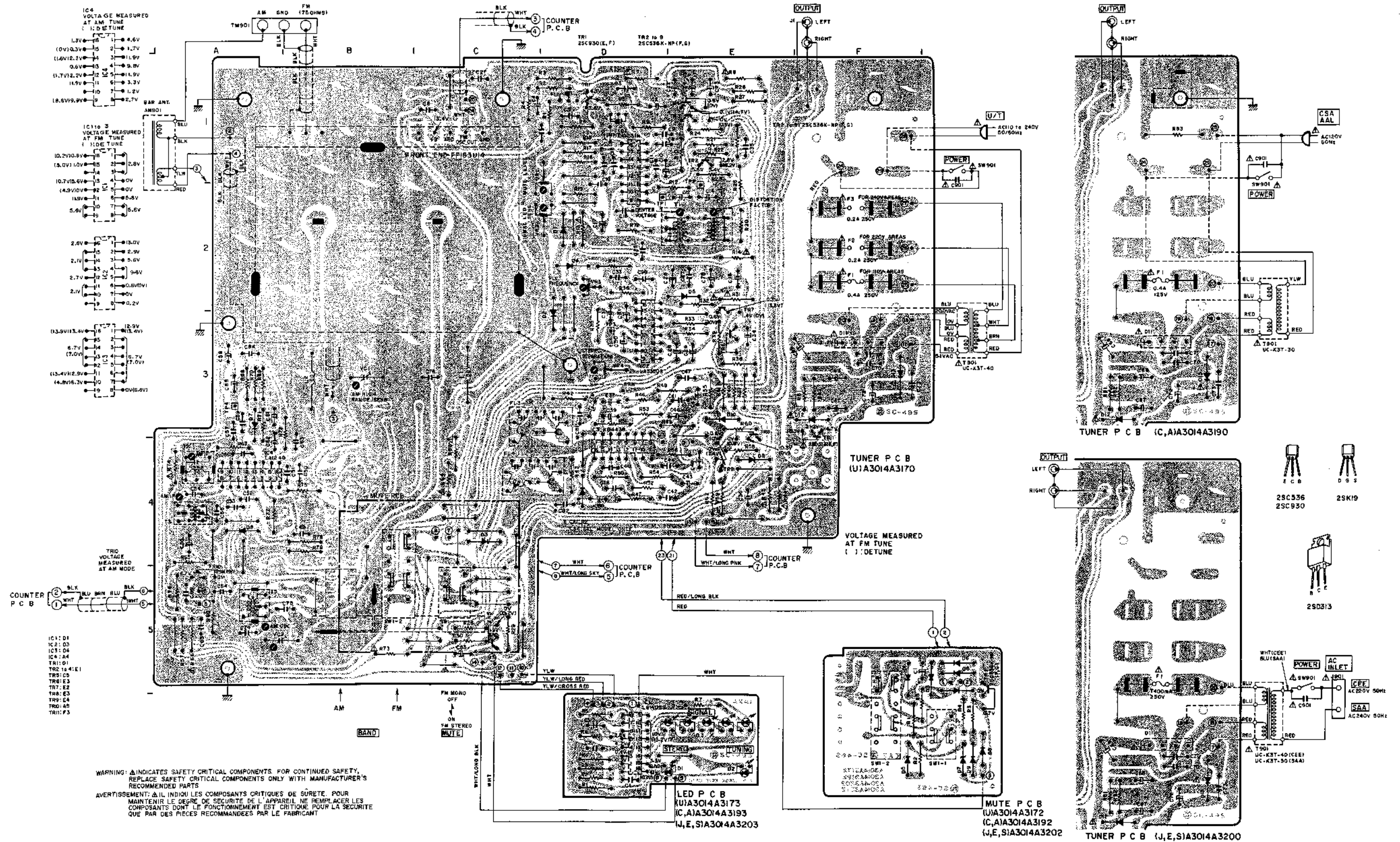
P.C Board Title	P.C Board Number
Tuner P.C Board	A3014A3200
Counter P.C Board	A3014A3201
LED P.C Board	A3014A3203
CAL Tone P.C Board	A3014D3180

3) Model UC-K3L

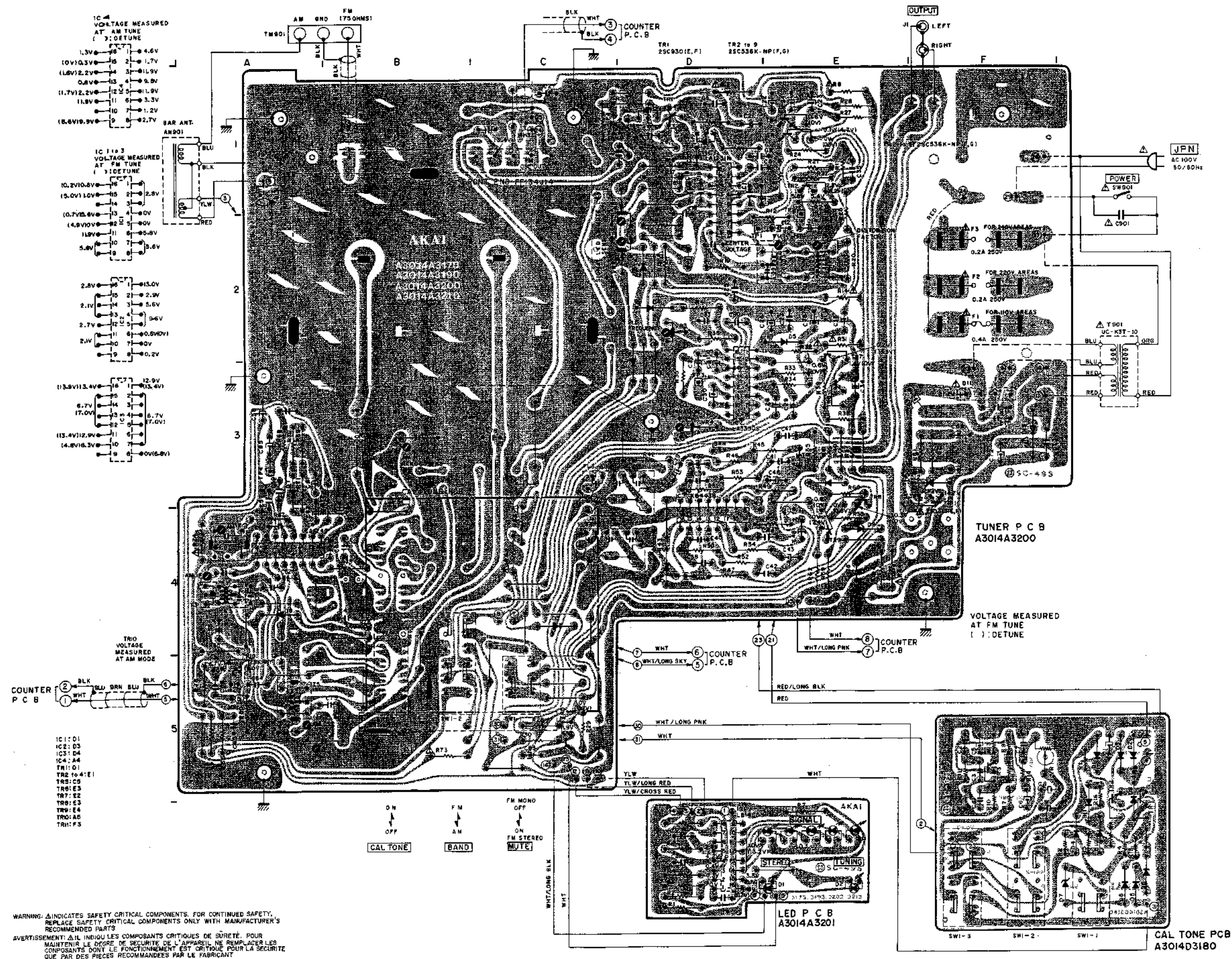
P.C Board Title	P.C Board Number
Tuner P.C Board	A3014A3210
Counter P.C Board	A3014A3211
LED P.C Board	A3014A3213
Mute P.C Board	A3014A3212

2. COMPOSITION OF VARIOUS P.C BOARDS

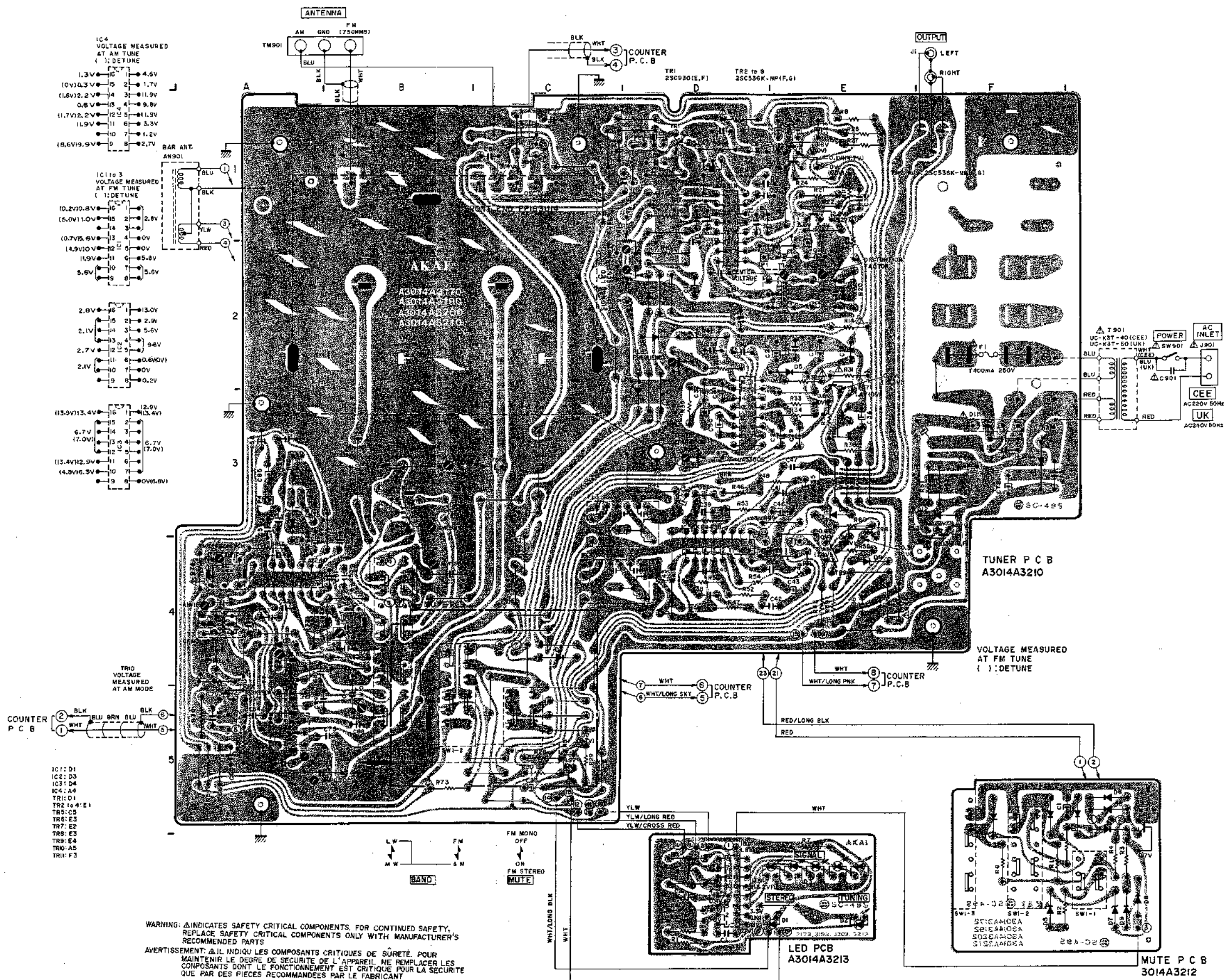
1) Model UC-K3 Tuner P.C Board A3014A3170 (U/T), A3014A3190 (CSA, AAL), A3014A3200 (CEE, SAA), LED P.C Board A3014A3173 (U/T), A3014A3193 (CSA, AAL), A3014A3203 (CEE, SAA) and Mute P.C Board A3014A3172 (U/T), A3014A3192 (CSA, AAL), A3014A3202 (CEE, SAA)



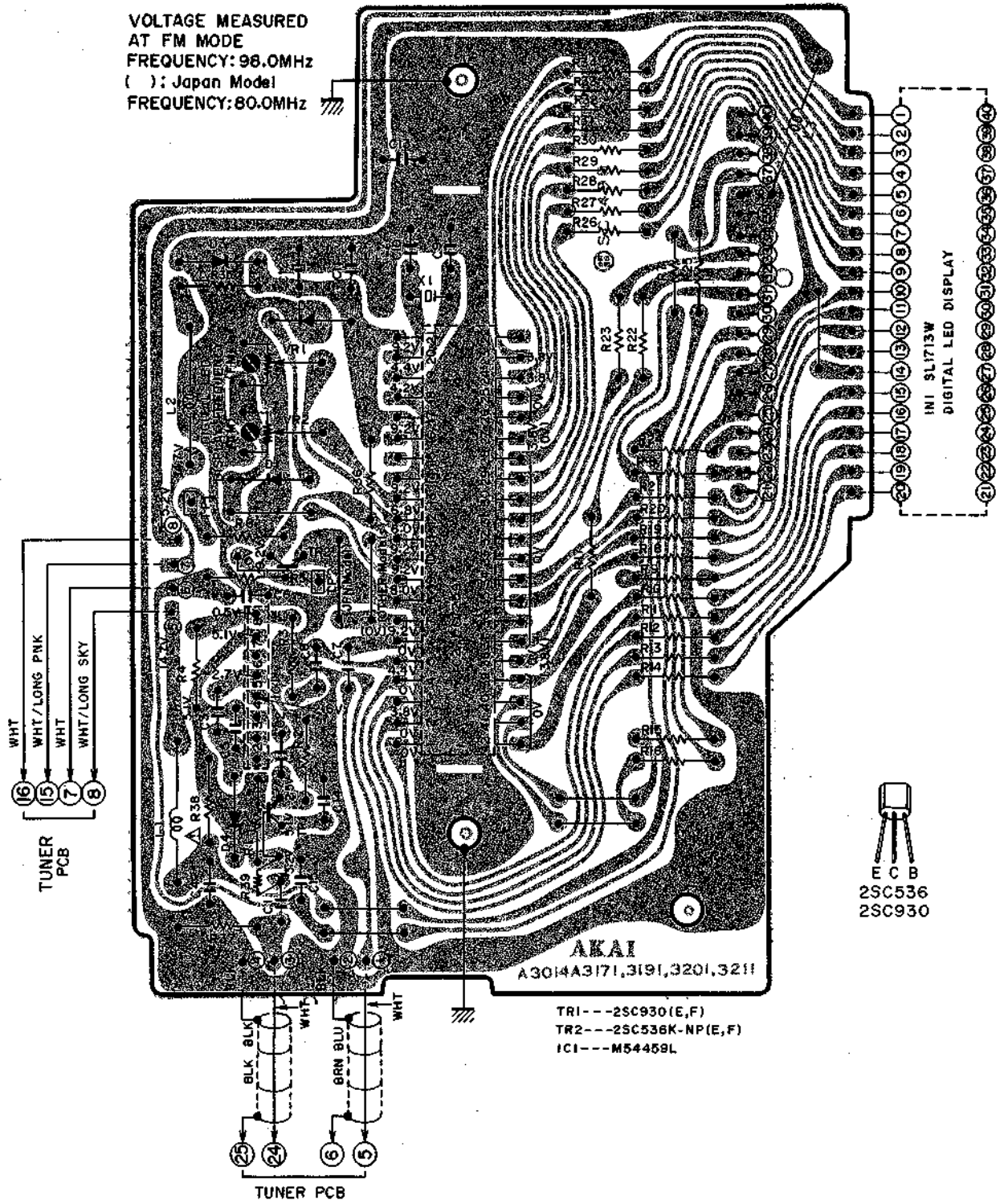
2) Model UC-K3J Tuner P.C Board A3014A3200, LED P.C Board A3014A3201 and CAL Tone P.C Board A3014D3180



3) Model UC-K3L Tuner P.C Board A3014A3210, LED P.C Board A3014A3213 and Mute P.C Board A3014A3212



4) Counter P.C Board A3014A3171 (U/T), A3014A3191 (CSA, AAL), A3014A3201 (CEE, SAA, JPN),
A3014A3211 (UC-K3L)



SECTION 2

SERVICE MANUAL

MODEL UC-U3E

TABLE OF CONTENTS

I. SPECIFICATIONS	21
II. DISMANTLING OF UNIT	22
III. CONTROLS	23
IV. PRINCIPAL PARTS LOCATION	24
V. VOLTAGE CONVERSION	25
VI. CLASSIFICATION OF VARIOUS P.C BOARDS	26
1. P.C BOARD TITLES AND IDENTIFICATION NUMBERS	26
2. COMPOSITION OF VARIOUS P.C BOARDS	27

For basic adjustments, measuring methods, and operating principles, refer to GENERAL TECHNICAL MANUAL.

I. SPECIFICATIONS

UC-U3E

POWER AMPLIFIER SECTION

RATED POWER OUTPUT (2 Channels Driven) 1,000 Hz	15W/0.5% at 8 ohms
POWER BANDWIDTH (IHF -3 dB, 8 ohms)	10 Hz to 35 kHz/0.5%
SIGNAL TO NOISE RATIO (IHF-A) PHONO AUX	75 dB 95 dB
RESIDUAL NOISE (8 ohms)	0.7 mV
CHANNEL SEPARATION (IHF, 1 kHz)	50 dB (Phono) 55 dB (Aux)
DAMPING FACTOR (1 kHz, 8 ohms)	30
OUTPUT SPEAKERS HEADPHONES	4 to 16 ohms 4 to 16 ohms

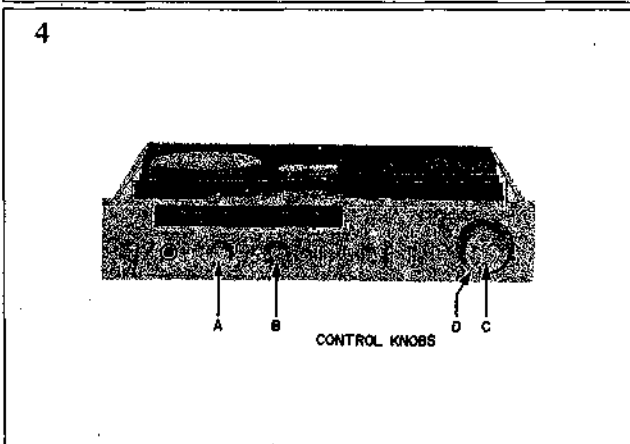
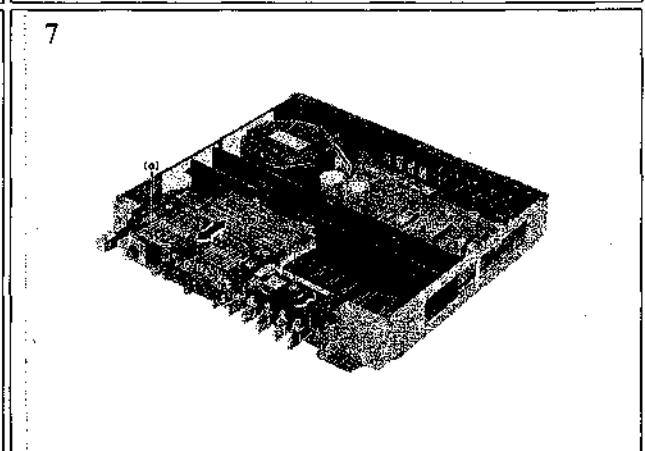
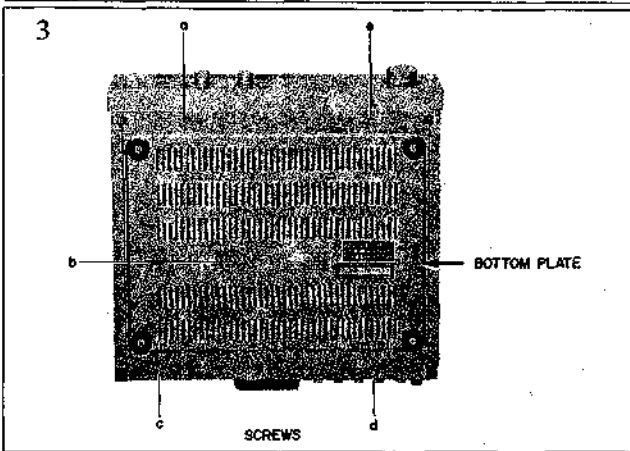
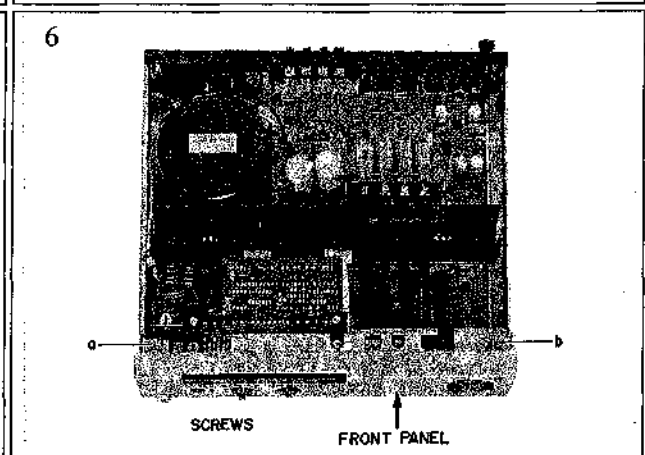
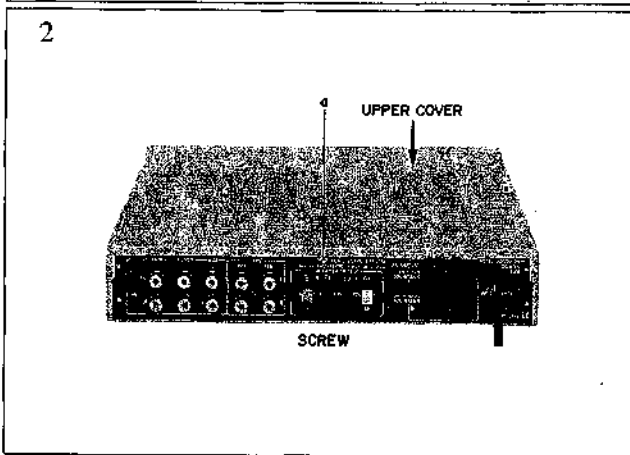
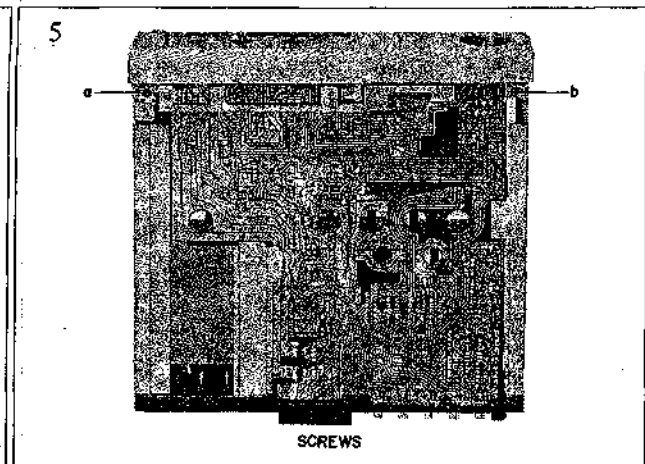
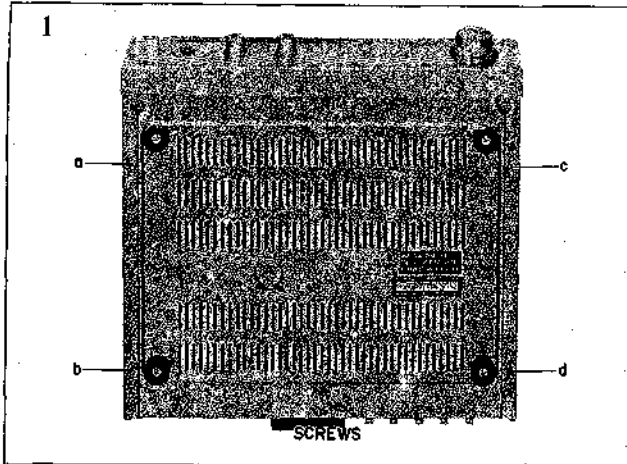
PREAMPLIFIER SECTION

INPUT SENSITIVITY/IMPEDANCE PHONO MM AUX TUNER TAPE	3 mV/47 kohms 150 mV/47 kohms 150 mV/47 kohms 150 mV/47 kohms
OUTPUT LEVEL/IMPEDANCE TAPE REC	150 mV/5 kohms
FREQUENCY RESPONSE PHONO (RIAA DEVIATION) TUNER, AUX, TAPE	± 1 dB (30 to 15 kHz) 10 Hz to 50 kHz ± 1 dB
TONE CONTROL BASS TREBLE	± 10 dB (100 Hz) ± 10 dB (10 kHz)
LOUDNESS CONTROL (Volume set at -30 dB position)	+ 8 dB (100 Hz) + 6 dB (10 kHz)
PHONO MAX INPUT LEVEL (1 kHz) MM	120 mV
POWER REQUIREMENTS	120V, 60 Hz for Canada 220V, 50 Hz for Europe except UK 240V, 50 Hz for UK and Australia 110-120V, 220-240V, 50/60 Hz internally switchable for other countries.
DIMENSIONS	280 (W) x 56 (H) x 270 (D) mm (11.0 x 2.2 x 10.6 inches)
WEIGHT	4 kg (8.8 lbs)

* For improvement purposes, specifications and design are subject to change without notice.

II. DISMANTLING OF UNIT

In case of trouble, etc. necessitating dismantling, please dismantle in the order shown in the photographs. Reassemble in reverse order.



1. Loosen screws (a), (b) and (c) and slide the LED to the back.
2. Attach the front panel.
3. Slide the LED forward so that it fits the holes in the front panel. Retighten the screws (a), (b) and (c).

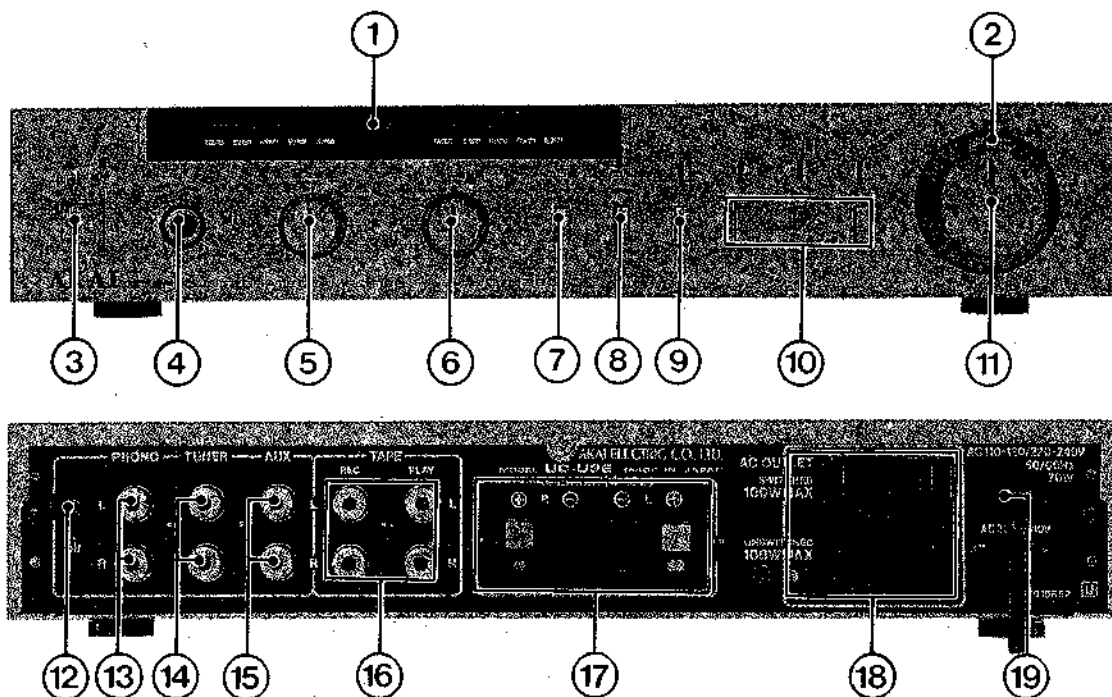


Fig. 1 Controls

- | | |
|--------------------------------------|---|
| 1. LEFT AND RIGHT LED BAR METERS | 11. VOLUME CONTROL |
| 2. STEREO BALANCE CONTROL | 12. GROUND TERMINAL |
| 3. POWER SWITCH | 13. PHONO JACKS |
| 4. HEADPHONE JACK (PHONES) | 14. TUNER JACKS |
| 5. BASS CONTROL | 15. AUX JACKS |
| 6. TREBLE CONTROL | 16. TAPE JACKS |
| 7. MODE SELECTOR | 17. SPEAKER TERMINALS |
| 8. LOUDNESS SWITCH | 18. AC OUTLETS (Some models are not equipped with this facility.) |
| 9. TAPE MONITOR SWITCH AND INDICATOR | 19. AC CORD |
| 10. INPUT SWITCHES AND INDICATORS | |

IV. PRINCIPAL PARTS LOCATION

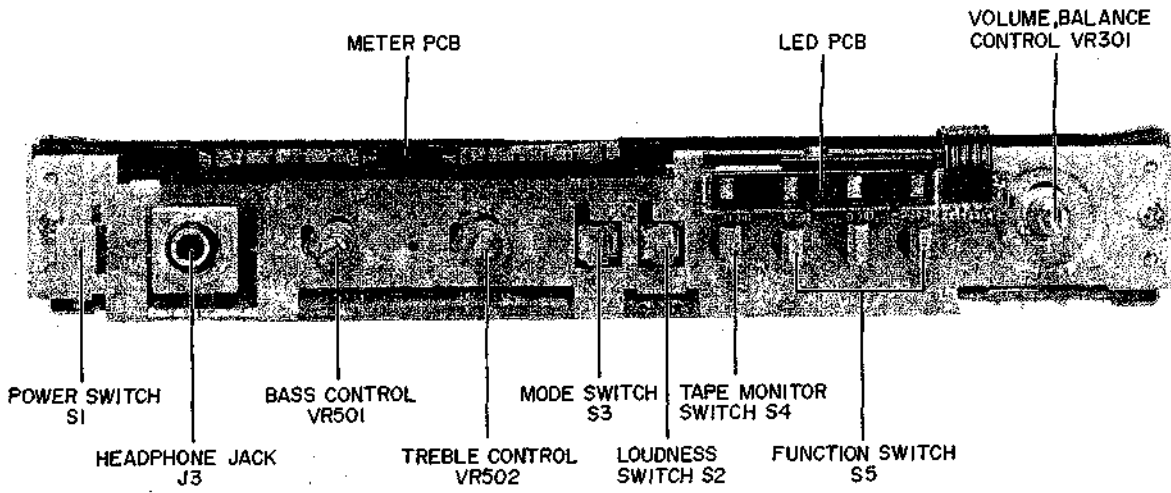


Fig. 2 Front View

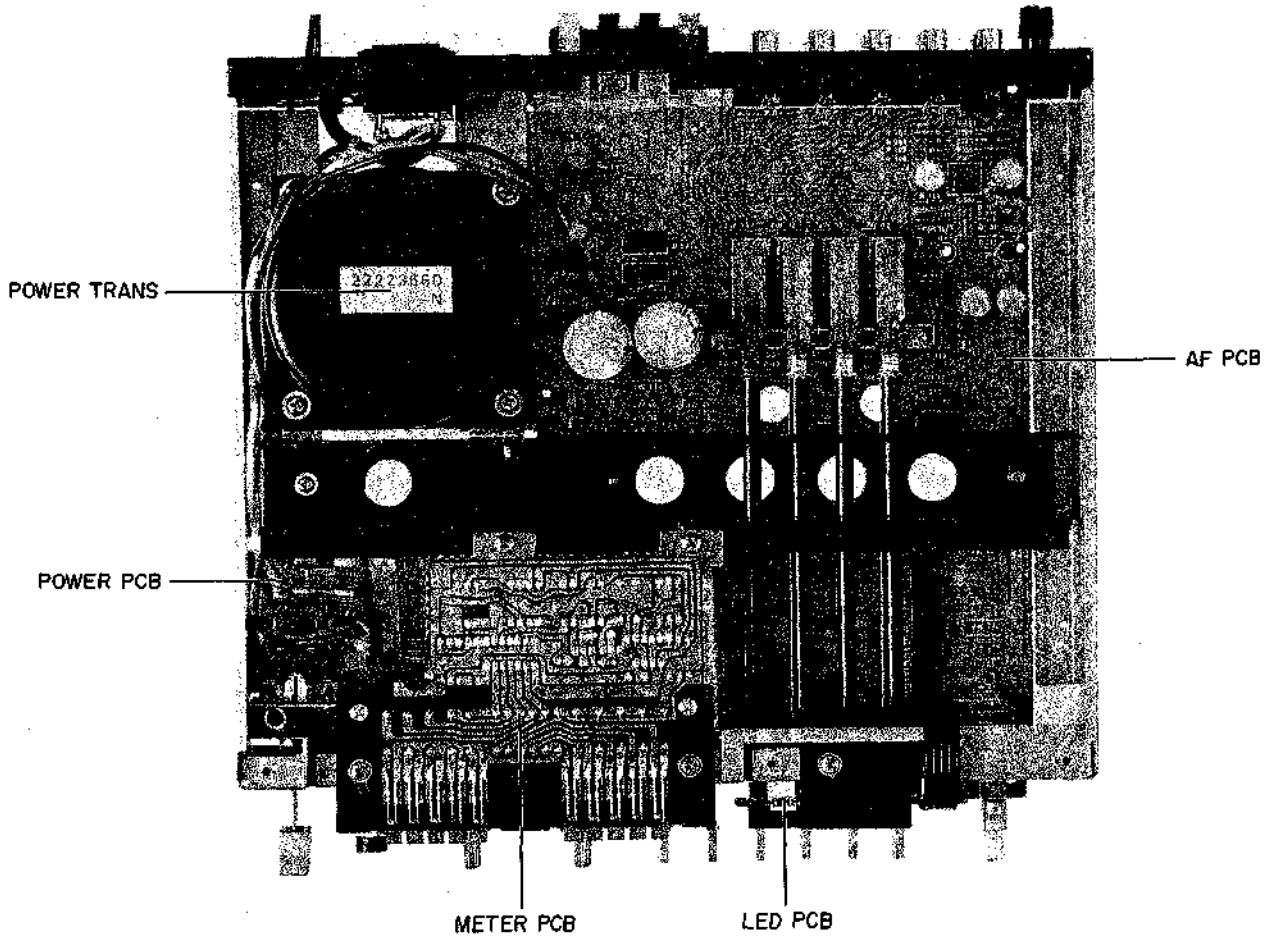


Fig. 3 Top View

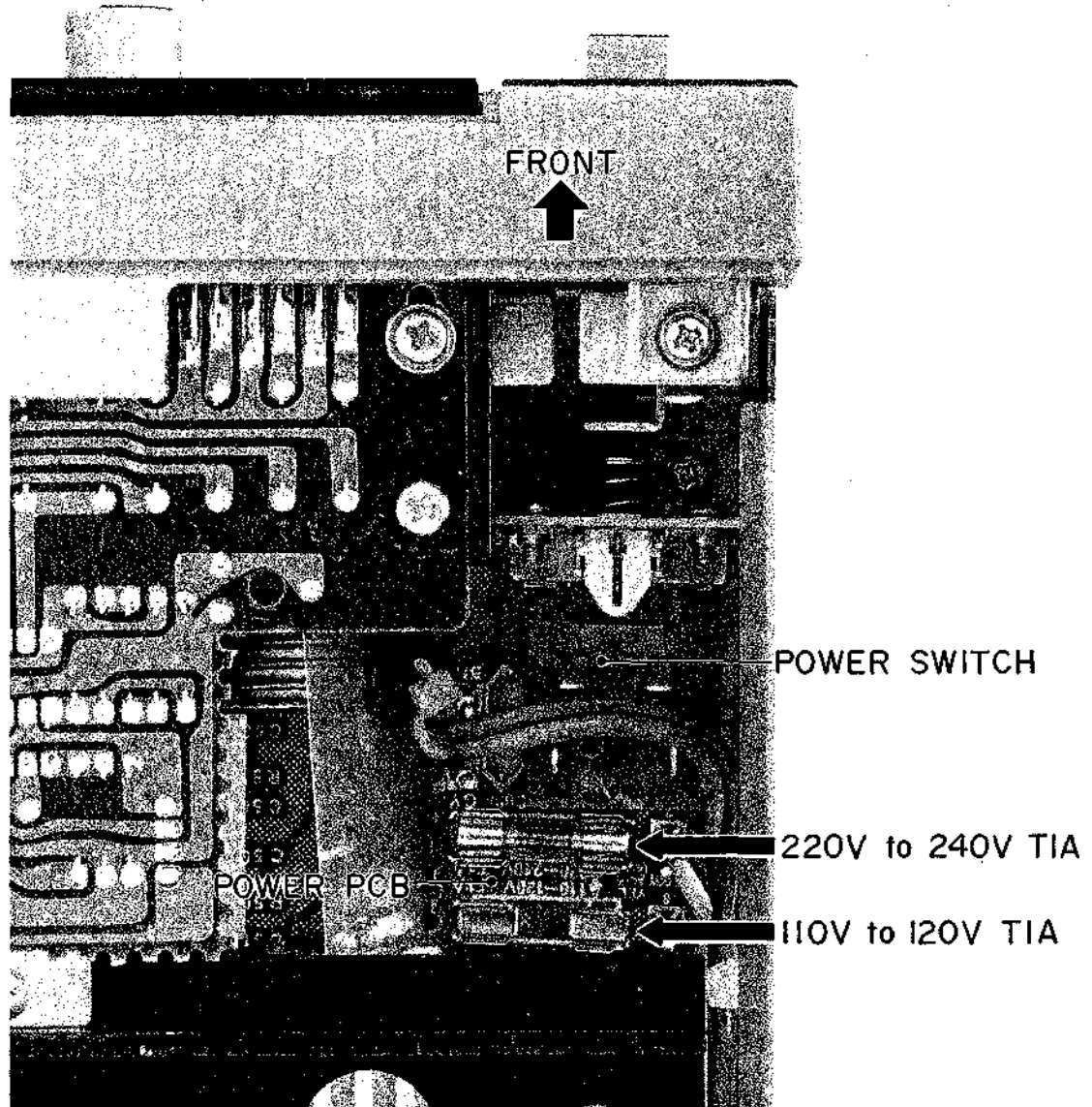


Fig. 4 Voltage Conversion (U/T Model Only)

Models for Canada, Europe, UK and Australia are not equipped with this facility.

Each machine is preset at the factory according to destination but some machines can be set to 110V, 220V or 240V as required.

If voltage change is necessary, this can be accomplished as follows:

- 1) Disconnect the power cord.
- 2) Loosen the holding screws and remove the Upper Cover.
- 3) Remove the existing Line Voltage Fuse on the Power P.C Board and insert the required Line Voltage Fuse into the proper fuse holder. Follow markings explicitly.

VI. CLASSIFICATION OF VARIOUS P.C BOARDS

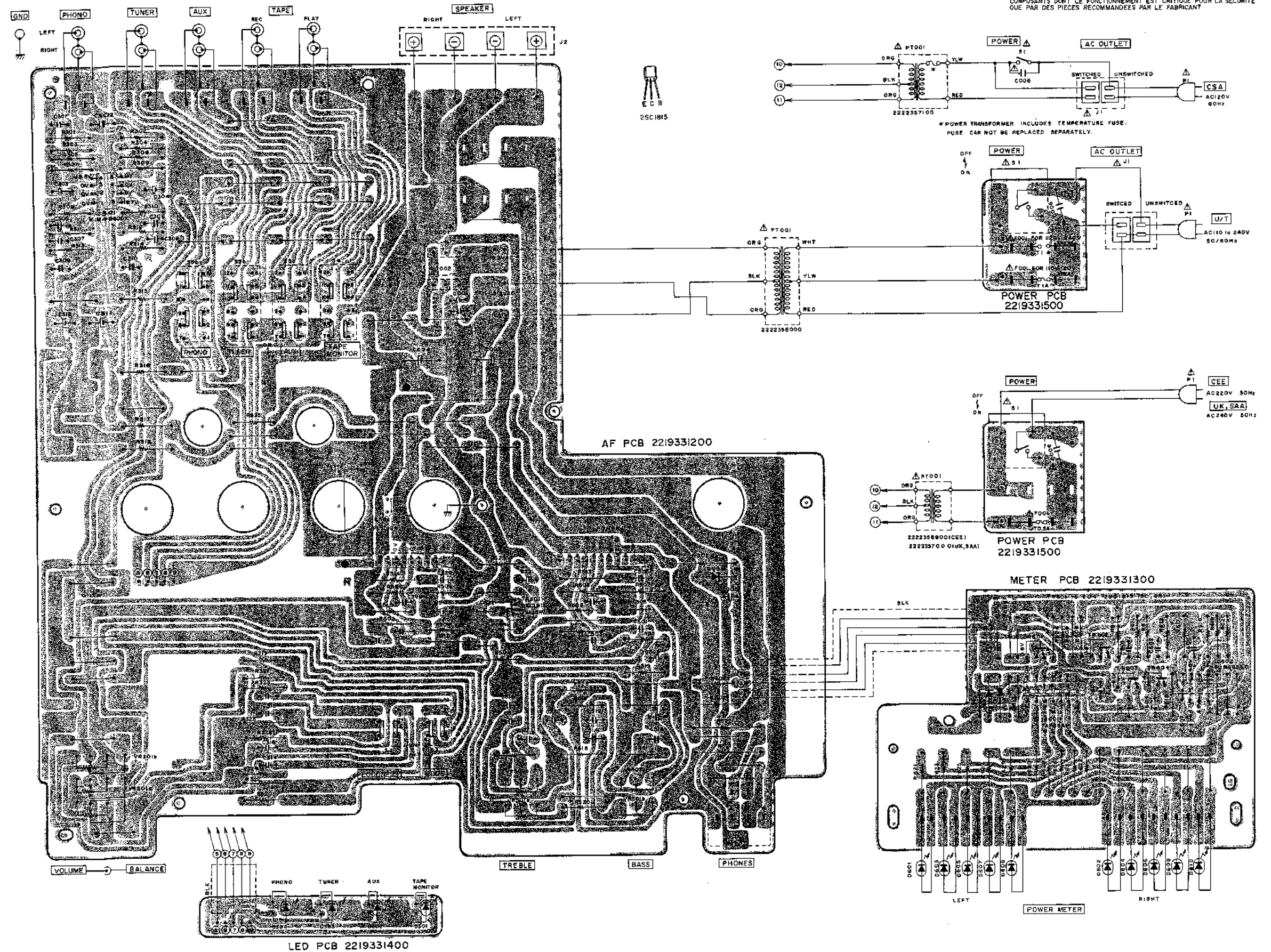
I. P.C BOARD TITLES AND IDENTIFICATION NUMBERS

P.C Board Title	P.C Board Number
AF P.C Board	2219331200
Meter P.C Board	2219331300
LED P.C Board	2219331400
Power P.C Board	2219331500

2. COMPOSITION OF VARIOUS P.C BOARDS

AF P.C Board 2219331200, Meter P.C Board 2219331300, LED P.C Board 2219331400 and Power P.C Board 2219331500

WARNING: Δ INDICATES SAFETY CRITICAL COMPONENTS. FOR CONTINUED SAFETY, REPLACE SAFETY CRITICAL COMPONENTS ONLY WITH MANUFACTURER'S RECOMMENDED PARTS.
AVERTISSEMENT: Δ IL INDIQUE LES COMPOSANTS CRITIQUES DE SÛRETÉ. POUR MAINTENIR LE DEGRÉ DE SÛRETÉ DE L'APPAREIL, NE REMPLACER LES COMPOSANTS DONT LE FONCTIONNEMENT EST CRITIQUE POUR LA SÛRETÉ QUE PAR DES PIÈCES RECOMMANDÉES PAR LE FABRICANT.



SECTION 3

SERVICE MANUAL

MODEL UC-U3, UC-U4

TABLE OF CONTENTS

I. SPECIFICATIONS 29
1. MODEL UC-U3 29
2. MODEL UC-U4 30
II. DISMANTLING OF UNIT 31
III. CONTROLS 32
1. MODEL UC-U3 32
2. MODEL UC-U4 33
IV. PRINCIPAL PARTS LOCATION 34
1. MODEL UC-U3 34
2. MODEL UC-U4 35
V. VOLTAGE CONVERSION MODEL UC-U3 36
VI. ADJUSTMENT MODEL UC-U3/UC-U4 37
VII. CLASSIFICATION OF VARIOUS P.C BOARDS 38
1. P.C BOARD TITLES AND IDENTIFICATION NUMBERS 38
2. MODEL UC-U3 COMPOSITION OF VARIOUS P.C BOARDS 39
3. MODEL UC-U4 COMPOSITION OF VARIOUS P.C BOARDS 45

For basic adjustments, measuring methods, and operating principles, refer to GENERAL TECHNICAL MANUAL.

I. SPECIFICATIONS

UC-U3/U4

1. MODEL UC-U3

RATED POWER OUTPUT (2 Channels Driven) 20 Hz to 20,000 Hz	33W/0.05% at 8 ohms
POWER BANDWIDTH (IHF -3 dB, 8 ohms)	5 Hz to 70 kHz/0.1%
RESIDUAL NOISE (IHF-A 8 ohms)	180 μ V
DAMPING FACTOR (1 kHz, 8 ohms)	50
FREQUENCY RESPONSE PHONO (RIAA DEVIATION) TUNER, AUX, TAPE	\pm 0.5 dB (20 Hz to 20 kHz) 6 Hz to 100 kHz +0 dB, -3 dB
PHONO MAXIMUM INPUT LEVEL (1 kHz)	200 mV
INPUT SENSITIVITY/IMPEDANCE PHONO TUNER AUX TAPE	3 mV/47 kohms 150 mV/100 kohms 150 mV/100 kohms 150 mV/100 kohms
OUTPUT LEVEL/IMPEDANCE TAPE (REC) PRE OUT	150 mV 1 V/600 ohms
SIGNAL TO NOISE RATIO (IHF-A) PHONO TUNER, AUX, TAPE	80 dB 100 dB
CHANNEL SEPARATION (1 kHz)	55 dB
TONE CONTROL BASS TREBLE	\pm 8 dB (100 Hz) \pm 8 dB (10 kHz)
LOUDNESS CONTROL (Volume set at -30 dB position)	+ 10 dB (100 Hz) + 6 dB (10 kHz)
MUTING	-20 dB
POWER REQUIREMENTS	100V, 50/60 Hz for Japan 120V, 60 Hz for USA 110V/220V/240V, 50/60 Hz internally switchable for other countries.
POWER CONSUMPTION	73W (JPN), 120W (U/T, AAL)
DIMENSIONS	280 (W) x 109 (H) x 280 (D) mm (11.0 x 4.3 x 11.0 inches)
WEIGHT	7.72 kg (17.0 lbs)

* For improvement purposes, specifications and design are subject to change without notice.

2. MODEL UC-U4

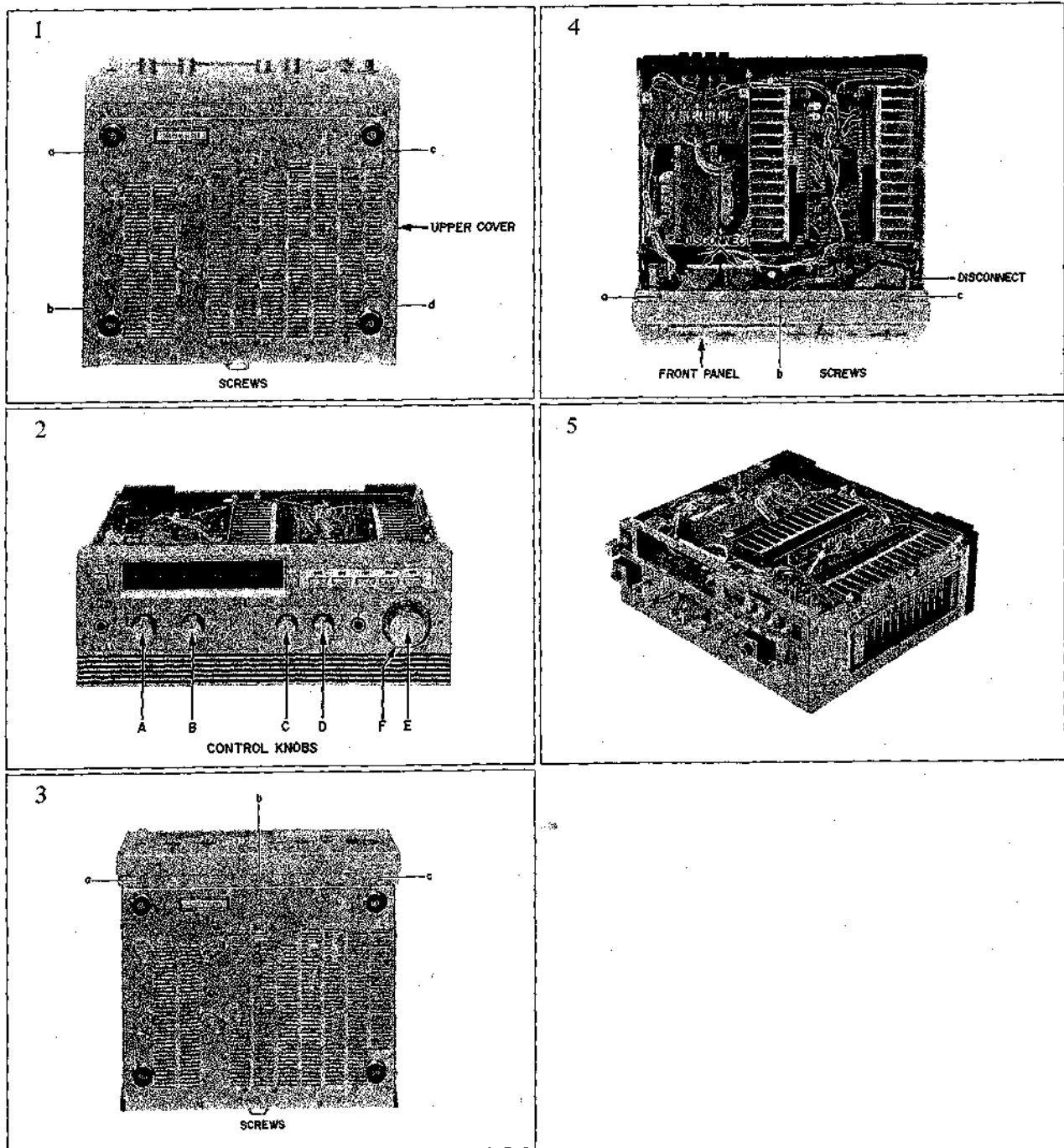
RATED POWER OUTPUT (2 Channels Driven) 20 Hz to 20,000 Hz	48W/0.05% at 8 ohms
POWER BANDWIDTH (IHF -3 dB, 8 ohms)	5 Hz to 70 kHz/0.1%
RESIDUAL NOISE (IHF-A 8 ohms)	180 μ V
DAMPING FACTOR (1 kHz, 8 ohms)	50
FREQUENCY RESPONSE PHONO (RIAA DEVIATION) TUNER, AUX, TAPE	± 0.5 dB (20 Hz to 20 kHz) 6 Hz to 100 kHz +0 dB, -3 dB
PHONO MAXIMUM INPUT LEVEL (1 kHz)	8 mV (MC), 200 mV (MM)
INPUT SENSITIVITY/IMPEDANCE PHONO (MC) PHONO (MM) TUNER AUX TAPE	120 μ V/100 ohms 3 mV/47 kohms 150 mV/100 kohms 150 mV/100 kohms 150 mV/100 kohms
OUTPUT LEVEL/IMPEDANCE TAPE (REC) PRE OUT	150 mV 1 V/600 ohms
SIGNAL TO NOISE RATIO (IHF-A) PHONO (MC) PHONO (MM) TUNER, AUX, TAPE	70 dB 80 dB 100 dB
CHANNEL SEPARATION (1 kHz)	55 dB
TONE CONTROL BASS TREBLE	± 8 dB (100 Hz) ± 8 dB (10 kHz)
LOUDNESS CONTROL (Volume set at -30 dB position)	+ 10 dB (100 Hz) + 6 dB (10 kHz)
MUTING	-20 dB
POWER REQUIREMENT	100V, 50/60 Hz for Japan 120V, 60 Hz for USA
POWER CONSUMPTION	113W (JPN), 200W (AAL)
DIMENSIONS	280 (W) \times 109 (H) \times 280 (D) mm (11.0 \times 4.3 \times 11.0 inches)
WEIGHT	7.72 kg (17.0 lbs)

* For improvement purposes, specifications and design are subject to change without notice.

II. DISMANTLING OF UNIT

UC-U3/U4

In case of trouble, etc. necessitating dismantling, please dismantle in the order shown in the photographs. Reassemble in reverse order.



III. CONTROLS

1. MODEL UC-U3

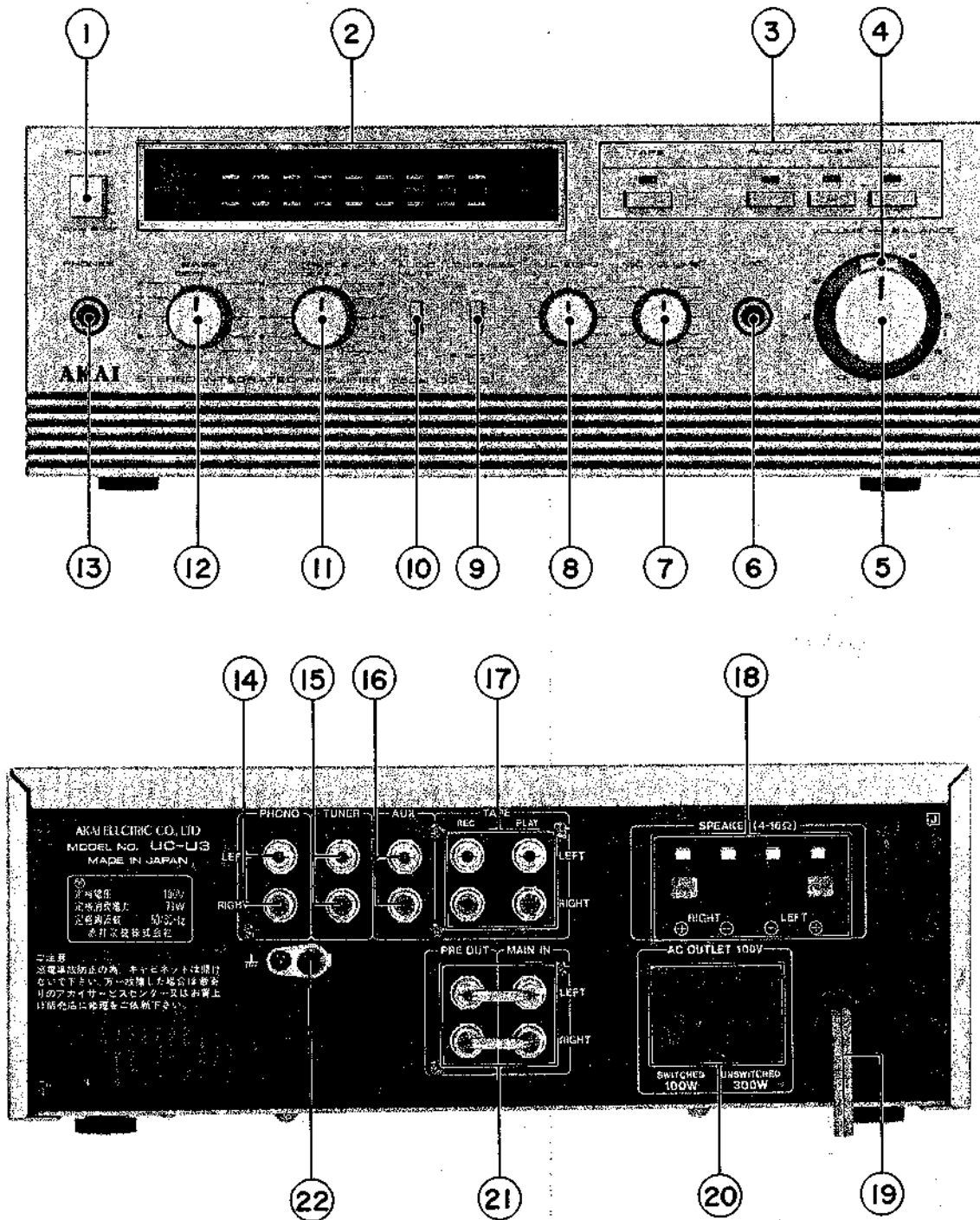


Fig. 1 Controls (UC-U3)

- | | |
|--|--|
| 1. POWER SWITCH | 12. BASS CONTROL |
| 2. LED BAR METER | 13. HEADPHONE JACK (PHONES) |
| 3. INPUT SELECTOR BUTTONS AND INDICATORS | 14. PHONO JACKS |
| 4. STEREO BALANCE CONTROL | 15. TUNER JACKS |
| 5. VOLUME CONTROL | 16. AUX JACKS |
| 6. MICROPHONE (MIC) JACK | 17. TAPE SYSTEM RECORDING (REC)/PLAY JACKS |
| 7. MICROPHONE (MIC) VOLUME CONTROL | 18. SPEAKER TERMINALS |
| 8. MICROPHONE (MIC) ECHO CONTROL | 19. AC CORD |
| 9. LOUDNESS SWITCH | 20. AC OUTLETS |
| 10. AUDIO MUTE SWITCH | 21. PRE OUT AND MAIN IN JACKS |
| 11. TREBLE CONTROL | 22. GROUND TERMINALS |

2. MODEL UC-U4

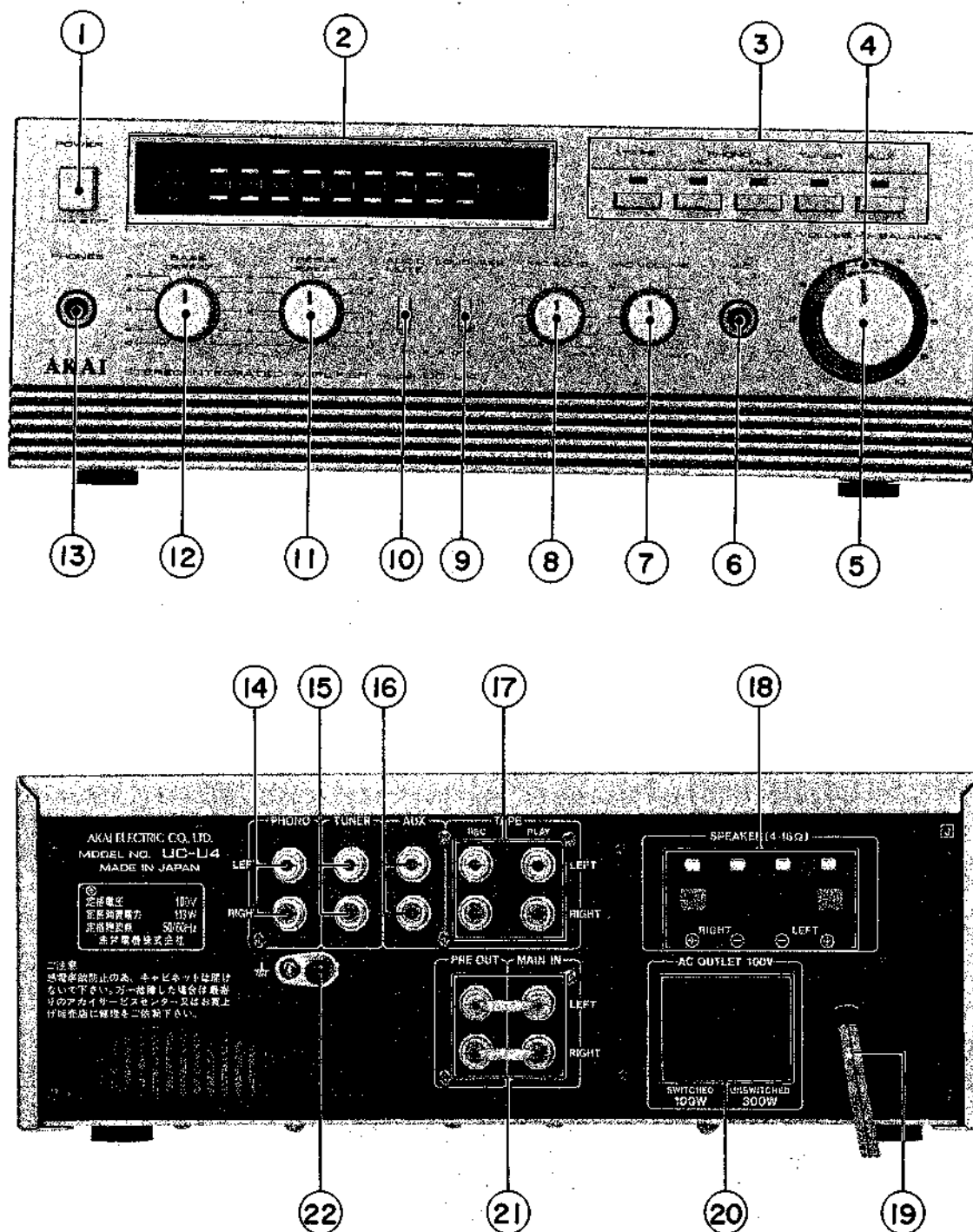


Fig. 2 Controls (UC-U4)

- | | |
|--|--|
| 1. POWER SWITCH | 12. BASS CONTROL |
| 2. LED BAR METER | 13. HEADPHONE JACK (PHONES) |
| 3. INPUT SELECTOR BUTTONS AND INDICATORS | 14. PHONO JACKS |
| 4. STEREO BALANCE CONTROL | 15. TUNER JACKS |
| 5. VOLUME CONTROL | 16. AUX JACKS |
| 6. MICROPHONE (MIC) JACK | 17. TAPE SYSTEM RECORDING (REC)/PLAY JACKS |
| 7. MICROPHONE (MIC) VOLUME CONTROL | 18. SPEAKER TERMINALS |
| 8. MICROPHONE (MIC) ECHO CONTROL | 19. AC CORD |
| 9. LOUDNESS SWITCH | 20. AC OUTLETS |
| 10. AUDIO MUTE SWITCH | 21. PRE OUT AND MAIN IN JACKS |
| 11. TREBLE CONTROL | 22. GROUND TERMINALS |

IV. PRINCIPAL PARTS LOCATION

I. MODEL UC-U3

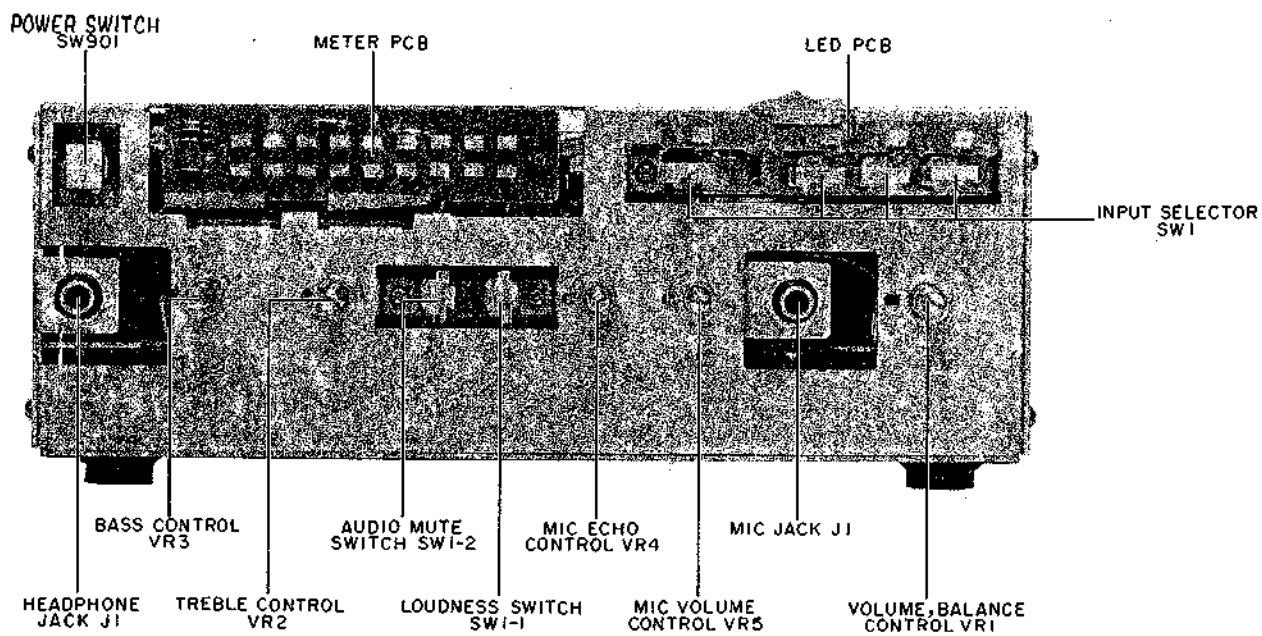


Fig. 3 Front View

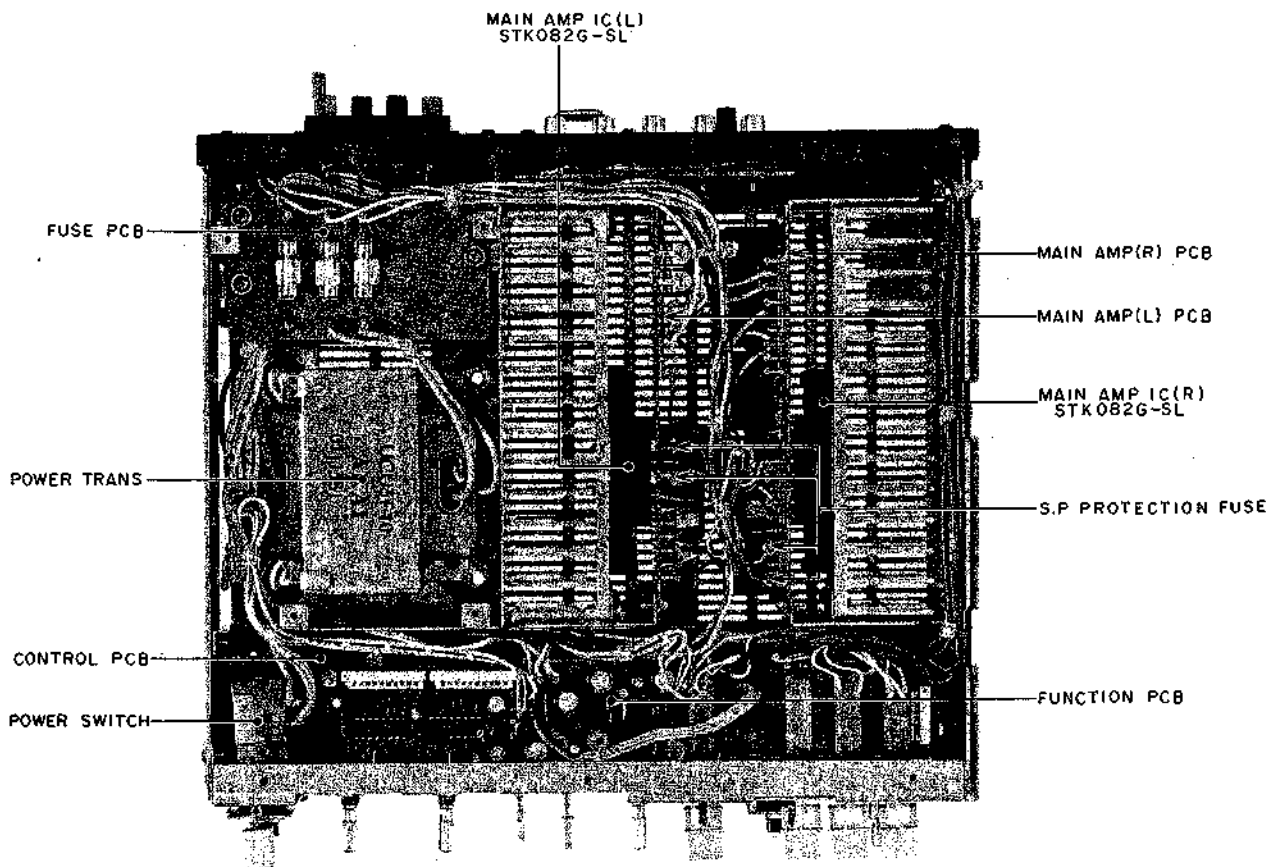


Fig. 4 Top View

2. MODEL UC-U4

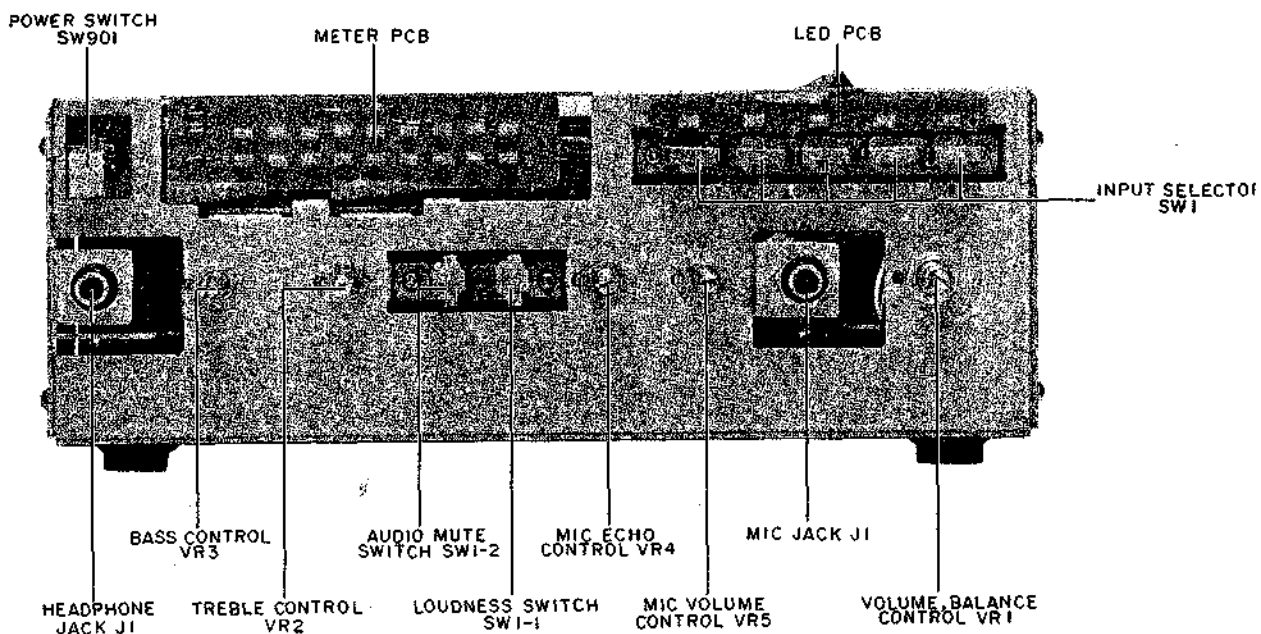


Fig. 5 Front View

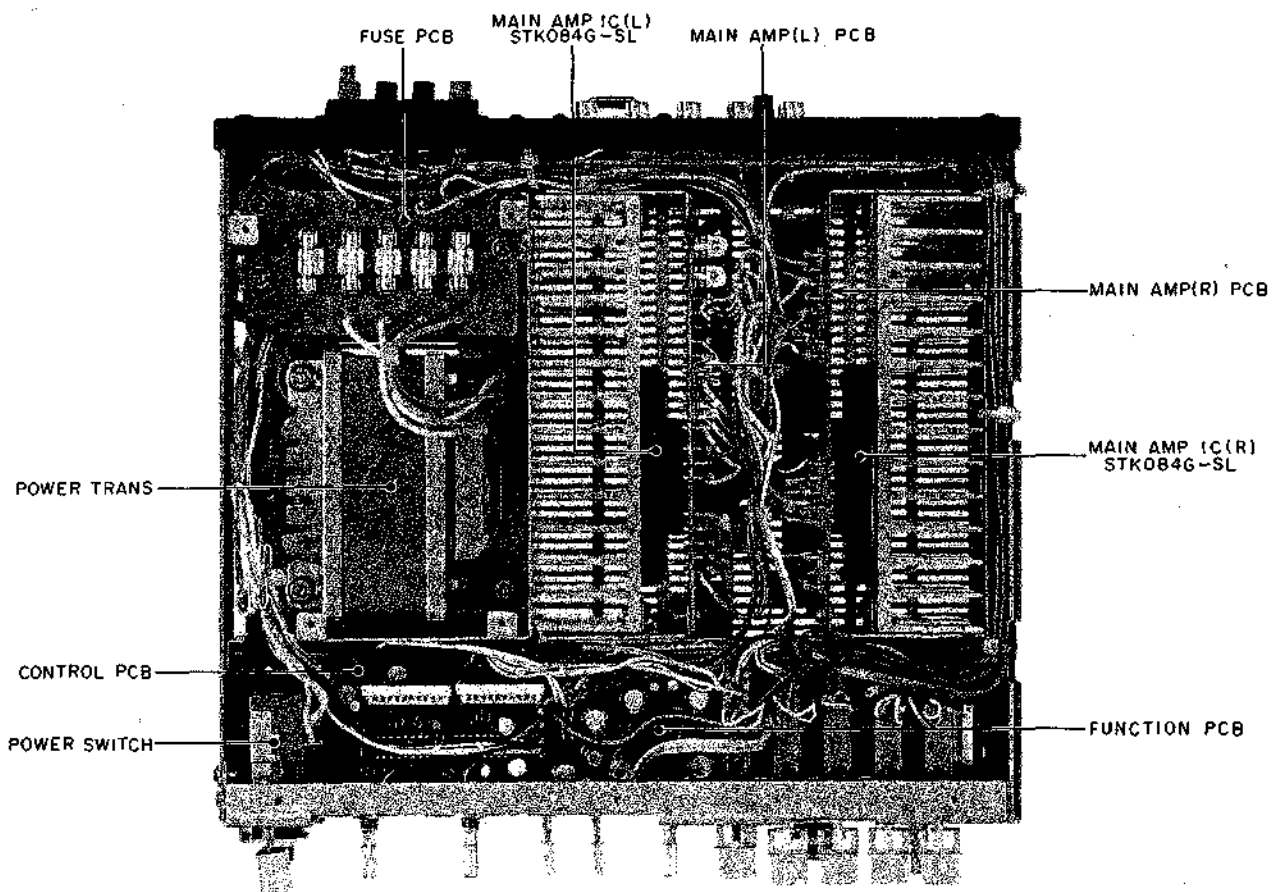


Fig. 6 Top View

V. VOLTAGE CONVERSION MODEL UC-U3

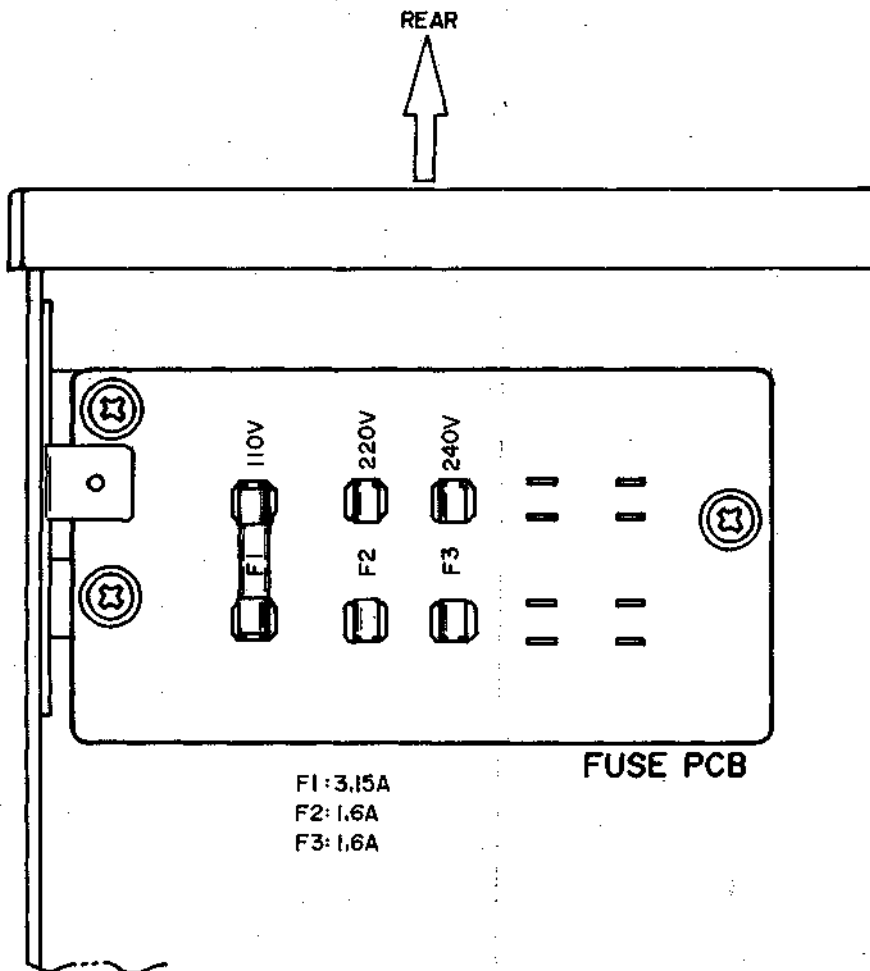


Fig. 7 Voltage Conversion (UC-U3 U/T Model Only)

Models for USA and Japan are not equipped with this facility.

Each machine is preset at the factory according to destination but some machines can be set to 110V, 220V or 240V as required.

If voltage change is necessary, this can be accomplished as follows:

- 1) Disconnect the power cord.
- 2) Loosen the holding screws and remove the Upper Cover.
- 3) Remove the existing Line Voltage Fuse on the Fuse P.C Board and insert the required Line Voltage Fuse into the proper fuse holder. Follow markings explicitly.

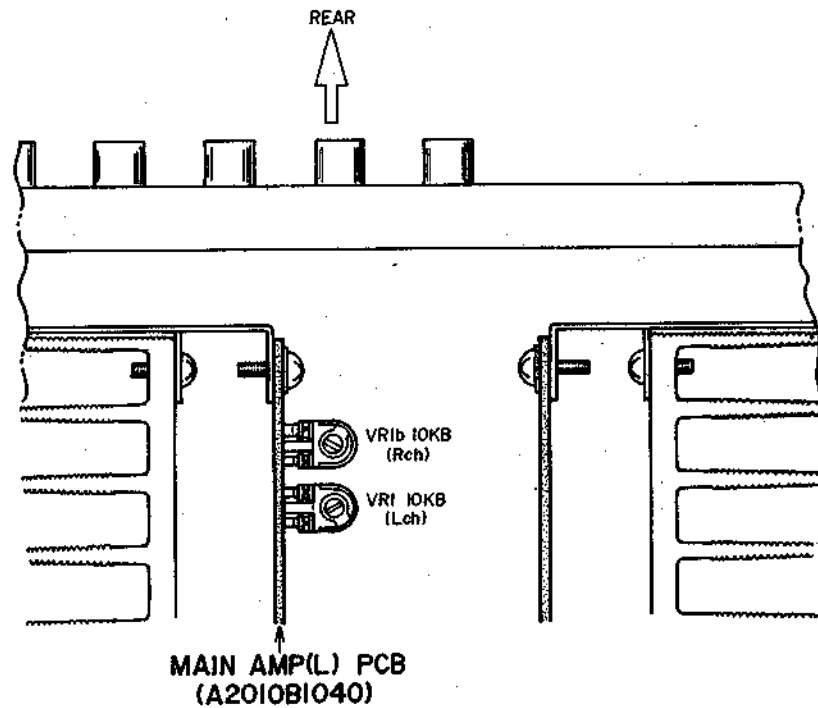


Fig. 8 LED Level Meter Adjustment

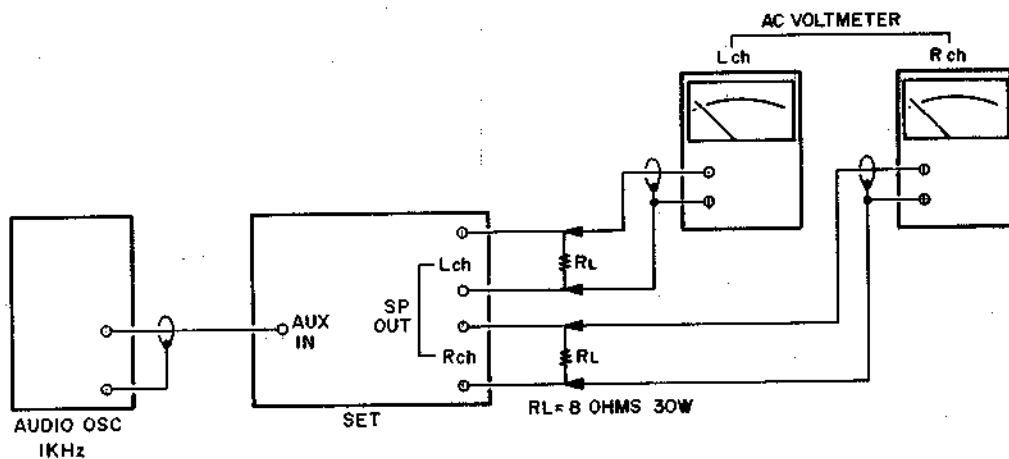


Fig. 9 Instrument Connections

LED LEVEL METER SENSITIVITY

ADJUSTMENT

Connect the load resistance RL (8 ohms) to the speaker terminals. Then apply a 1 kHz sine wave signal to the AUX terminals, and adjust the volume controls so that the output voltage read is 7.75V (UC-U3), 10.95V (UC-U4) at both ends of the load resistance RL. Next adjust the VR1 10 kB on the PRE AMP (L) PCB so that the LED LEVEL Meter's 7.5W (UC-U3), 15W (UC-U4) segments turn off first and then adjust the VR1 10 kB so that these segments fully light up.

VII. CLASSIFICATION OF VARIOUS P.C BOARDS

1. P.C BOARD TITLES AND IDENTIFICATION NUMBERS

1) Model UC-U3

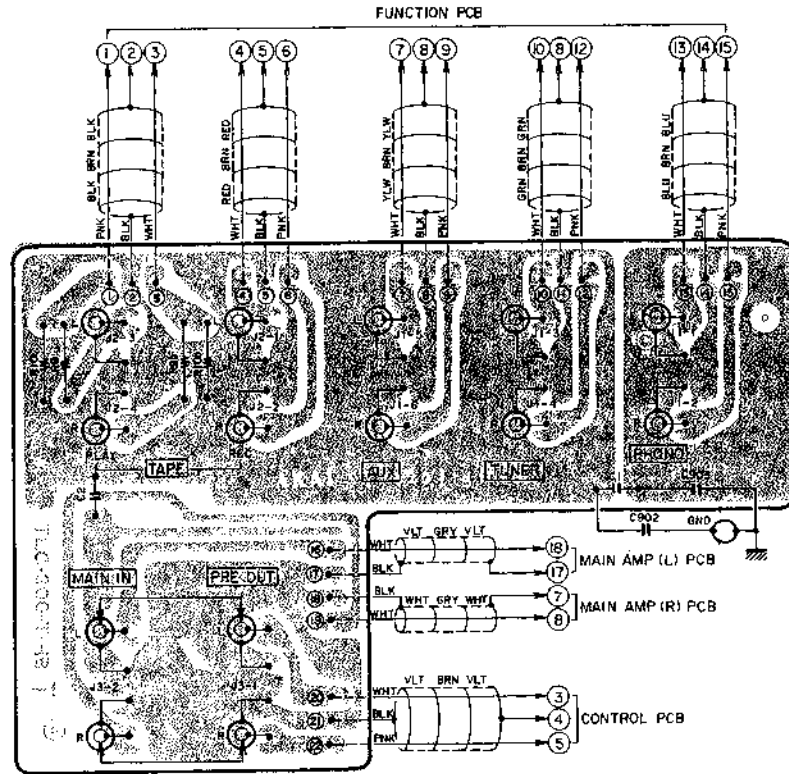
P.C Board Title	P.C Board Number
Input P. C Board	A2011B1010
Function P.C Board	A2010B1020
LED P.C Board	A2010B1021
Control P.C Board	A2010B1030
Main Amp (L) P.C Board	A2010B1040
IC (L) P.C Board	A2010B1041
Main Amp (R) P.C Board	A2010B1050
IC (R) P.C Board	A2010B1051
Headphone P.C Board	A2010D1060
Meter P.C Board	A2010C1070
Power Supply P.C Board	A2010C1080
Fuse P.C Board	A2010C1090

2) Model UC-U4

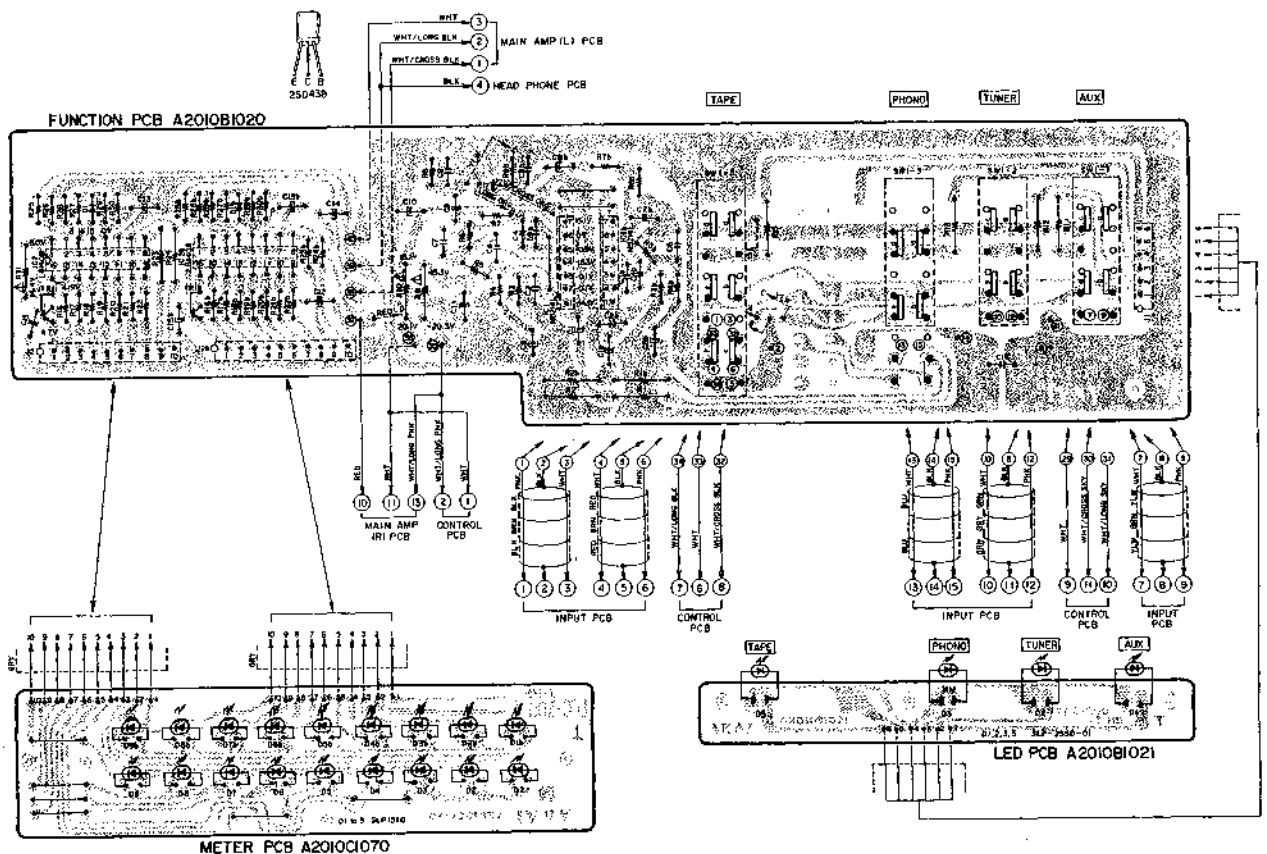
P.C Board Title	P.C Board Number
Input P. C Board	A2010B1010
Function P.C Board	A2010B1020
LED P.C Board	A2010B1021
Control P.C Board	A2010B1030
Main Amp (L) P.C Board	A2010B1040
IC (L) P.C Board	A2010B1041
Main Amp (R) P.C Board	A2010B1050
IC (R) P.C Board	A2010B1051
Headphone P.C Board	A2010D1060
Meter P.C Board	A2010C1070
Power Supply P.C Board	A2010C1080
Fuse P.C Board	A2010C1090

2. MODEL UC-U3 COMPOSITION OF VARIOUS P.C BOARDS

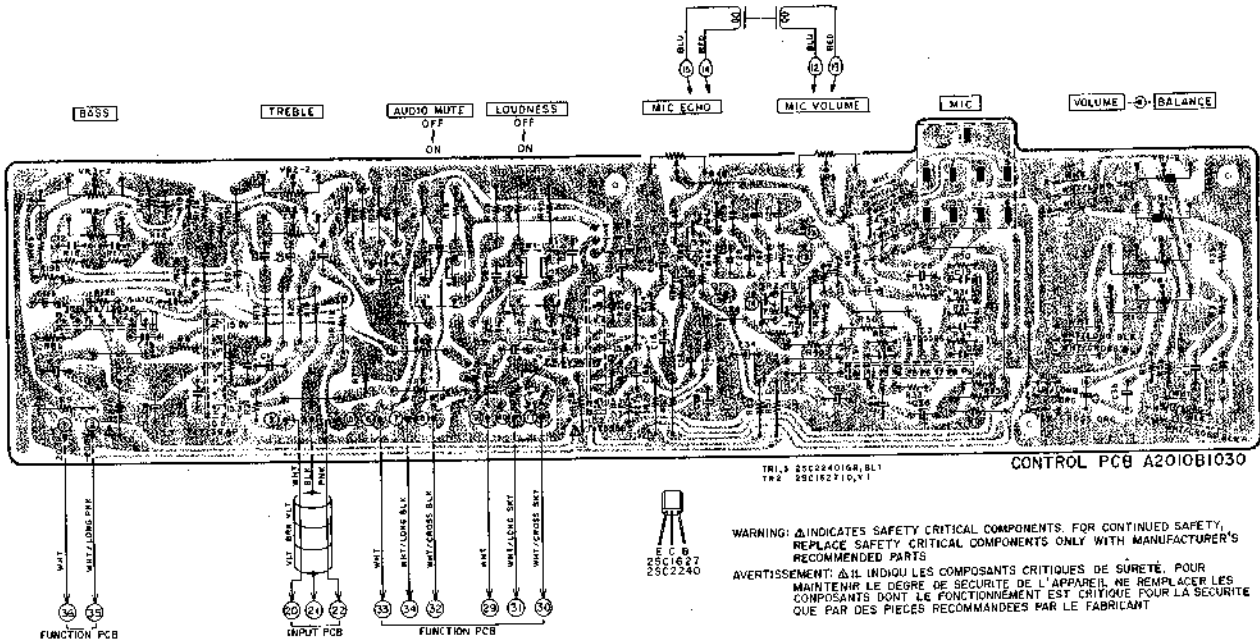
1) Input P.C Board A2011B1010



2) Function P.C Board A2010B1020, Meter P.C Board A2010C1070 and LED P.C Board A2010B1021



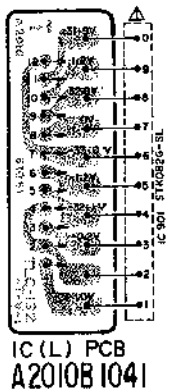
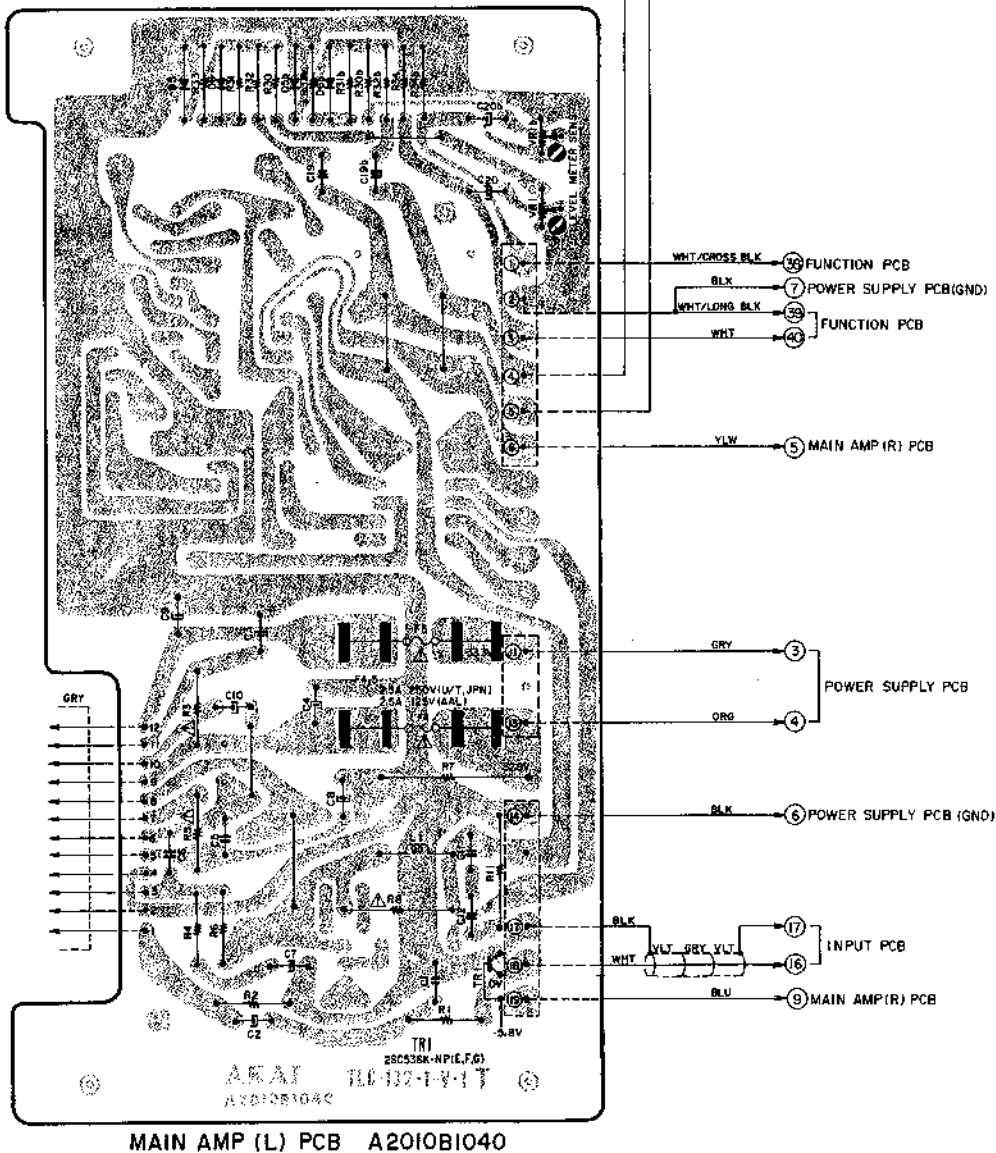
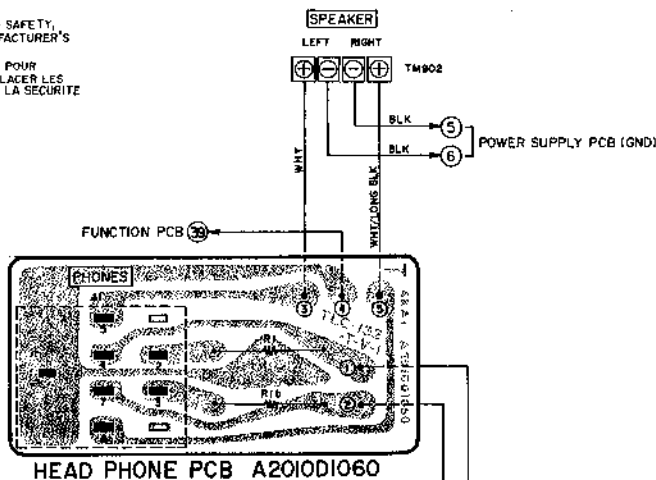
3) Control P.C Board A2010B1030



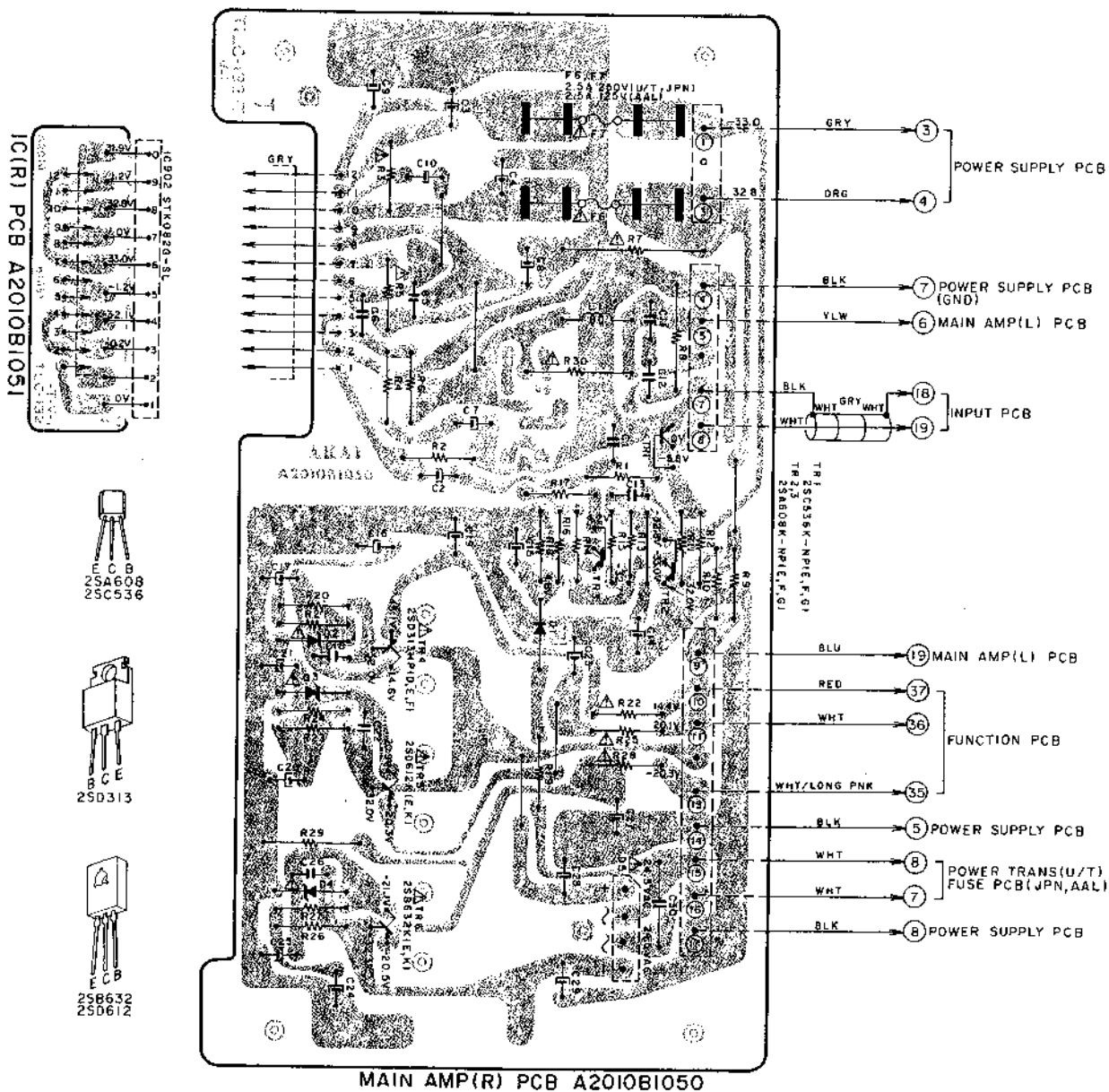
4) Main Amp (L) P.C Board A2010B1040, IC(L) P.C Board A2010B1041 and Headphone P.C Board A2010D1060

WARNING: Δ INDICATES SAFETY CRITICAL COMPONENTS. FOR CONTINUED SAFETY, REPLACE SAFETY CRITICAL COMPONENTS ONLY WITH MANUFACTURER'S RECOMMENDED PARTS.

AVERTISSEMENT: Δ IL INDICU LES COMPOSANTS CRITIQUES DE SURETE. POUR MAINTENIR LE DEGRE DE SECURITE DE L'APPAREIL NE REMPLACER LES COMPOSANTS DONT LE FONCTIONNEMENT EST CRITIQUE POUR LA SECURITE QUE PAR DES PIECES RECOMMANDEES PAR LE FABRICANT.



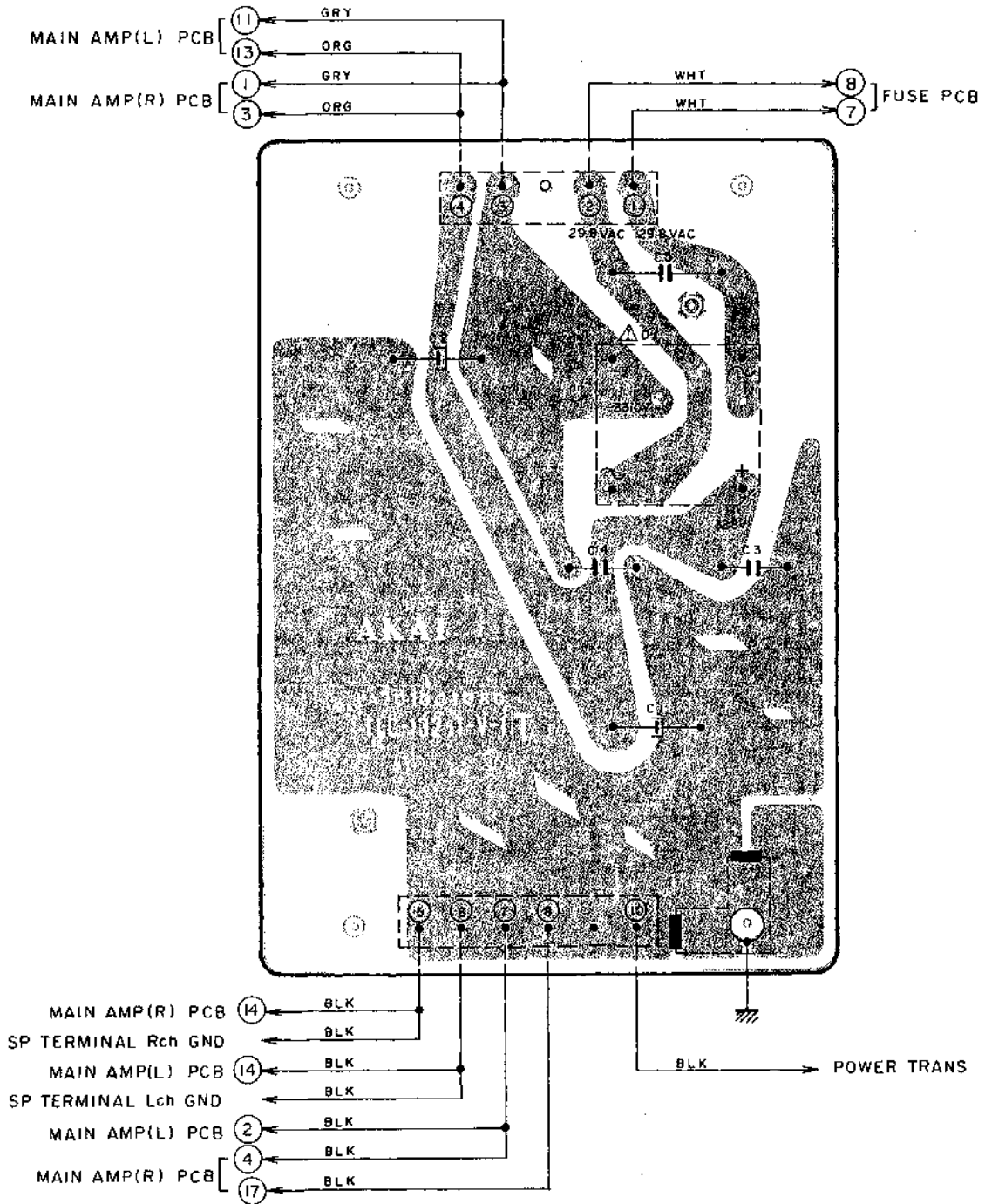
5) Main Amp (R) P.C Board A2010B1050 and IC (R) P.C Board A2010B1051



WARNING: Δ INDICATES SAFETY CRITICAL COMPONENTS. FOR CONTINUED SAFETY, REPLACE SAFETY CRITICAL COMPONENTS ONLY WITH MANUFACTURER'S RECOMMENDED PARTS.

AVERTISSEMENT: Δ IL INDIQUE LES COMPOSANTS CRITIQUES DE SÛRETÉ. POUR MAINTENIR LE DEGRÉ DE SÛRETÉ DE L'APPAREIL, NE REMPLACER LES COMPOSANTS DONT LE FONCTIONNEMENT EST CRITIQUE POUR LA SÛRETÉ QUE PAR DES PIÈCES RECOMMANDÉES PAR LE FABRICANT.

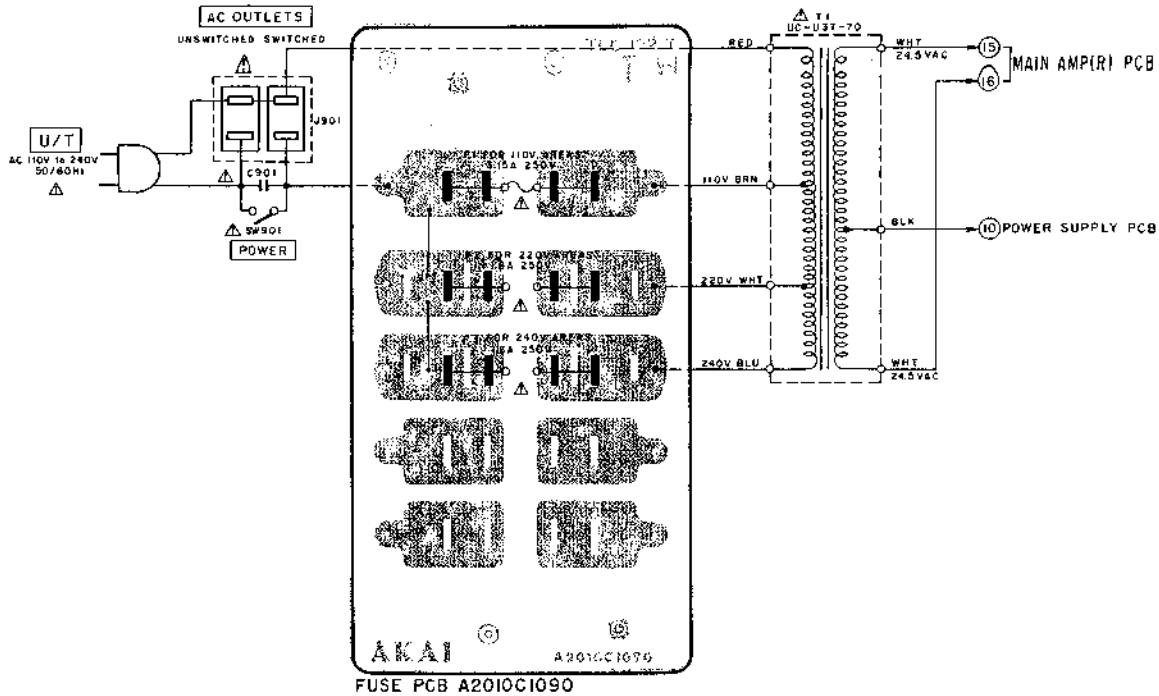
6) Power Supply P.C Board A2010C1080



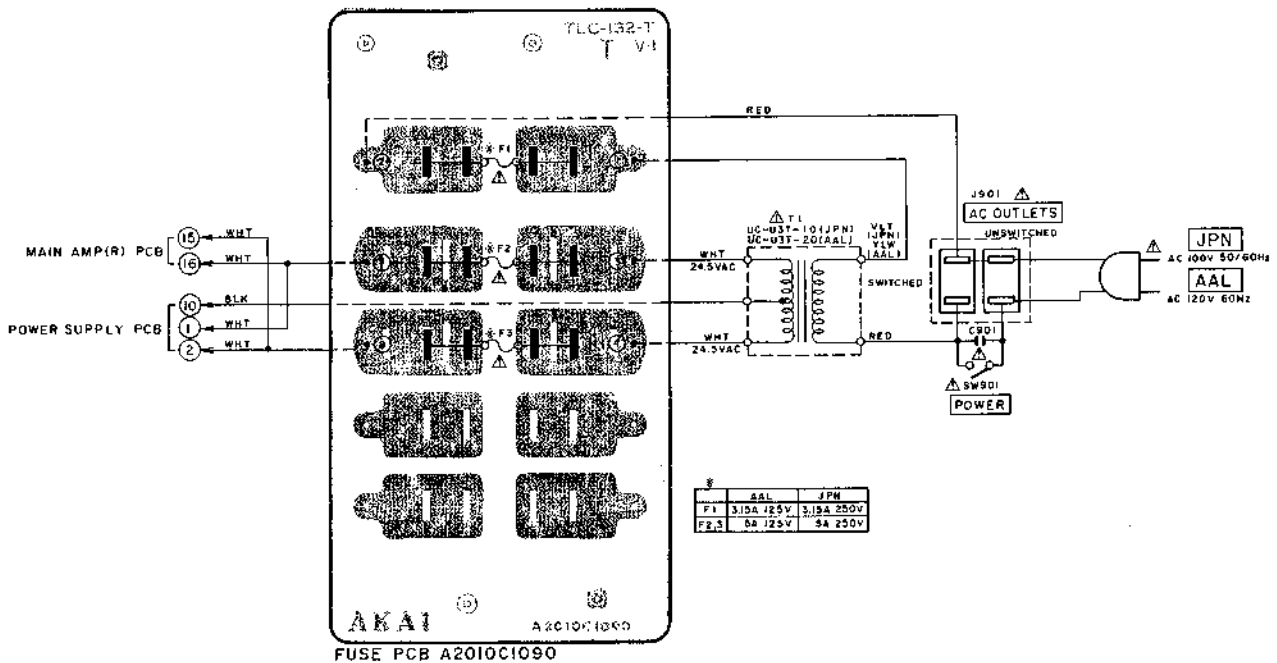
WARNING: Δ INDICATES SAFETY CRITICAL COMPONENTS. FOR CONTINUED SAFETY, REPLACE SAFETY CRITICAL COMPONENTS ONLY WITH MANUFACTURER'S RECOMMENDED PARTS

AVERTISSEMENT: Δ IL INDIQUE LES COMPOSANTS CRITIQUES DE SÛRETÉ. POUR MAINTENIR LE DEGRÉ DE SÛRETÉ DE L'APPAREIL, NE REMPLACER LES COMPOSANTS DONT LE FONCTIONNEMENT EST CRITIQUE POUR LA SÛRETÉ QUE PAR DES PIÈCES RECOMMANDÉES PAR LE FABRICANT

7) Fuse P.C Board A2010C1090 (U/T)



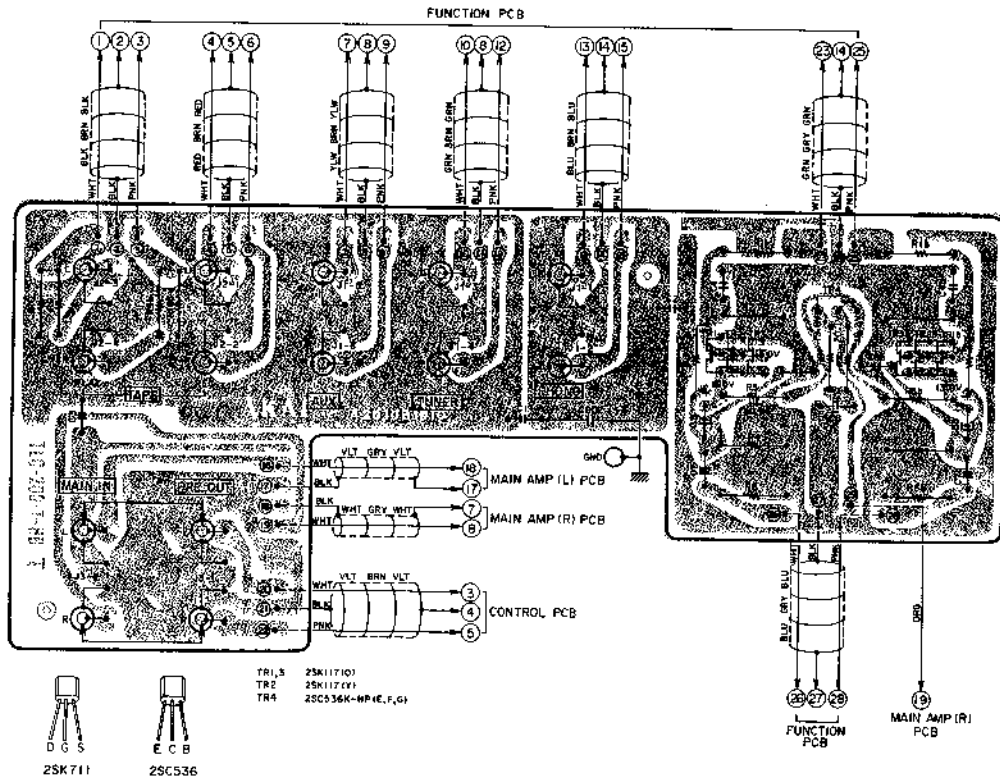
8) Fuse P.C Board A2010C1090 (JPN, AAL)



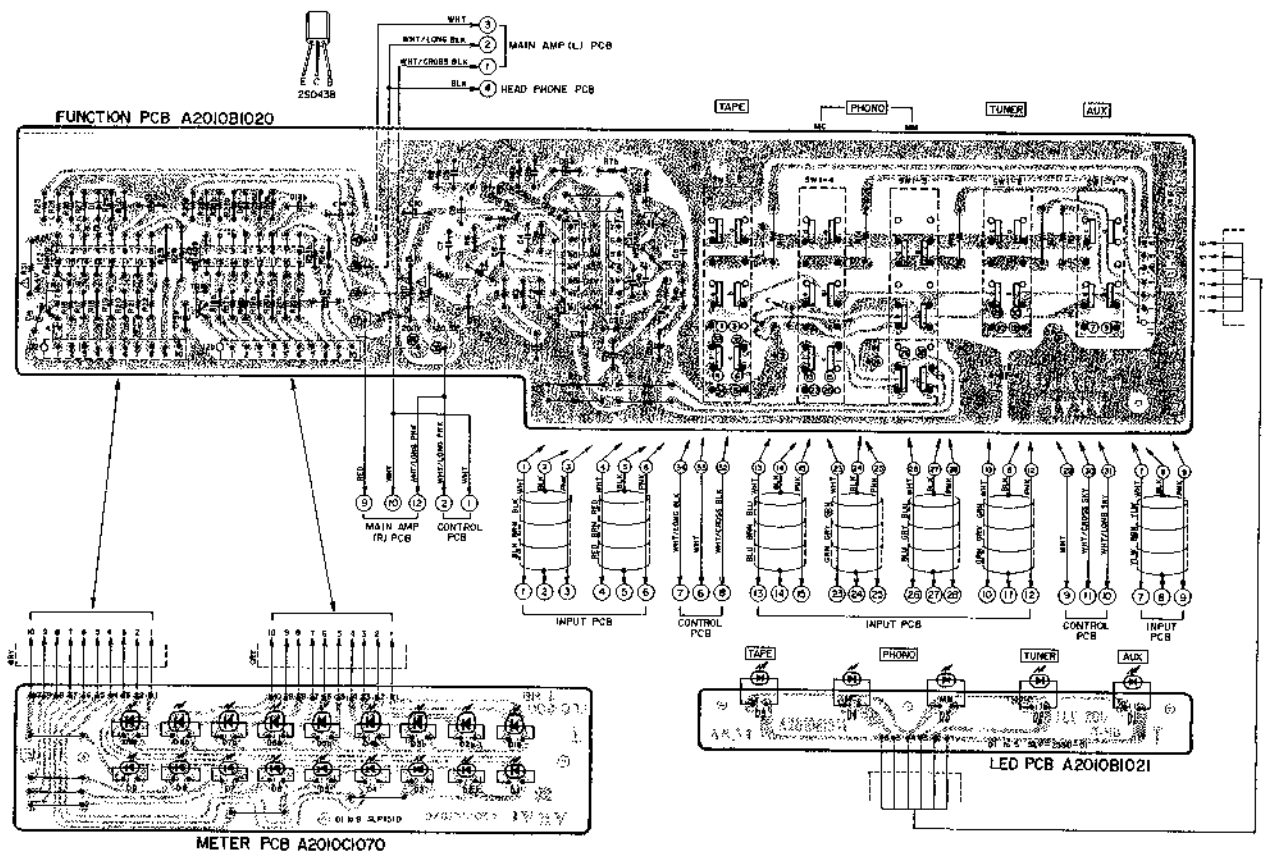
WARNING: ⚠ INDICATES SAFETY CRITICAL COMPONENTS. FOR CONTINUED SAFETY, REPLACE SAFETY CRITICAL COMPONENTS ONLY WITH MANUFACTURER'S RECOMMENDED PARTS.
 AVERTISSEMENT: ⚠ IL INDIQUE LES COMPOSANTS CRITIQUES DE SÛRETÉ. POUR MAINTENIR LE DEGRÉ DE SÛRETÉ DE L'APPAREIL, NE REMPLACER LES COMPOSANTS DONT LE FONCTIONNEMENT EST CRITIQUE POUR LA SÛRETÉ QUE PAR DES PIÈCES RECOMMANDÉES PAR LE FABRICANT.

3. MODEL UC-U4 COMPOSITION OF VARIOUS P.C BOARDS

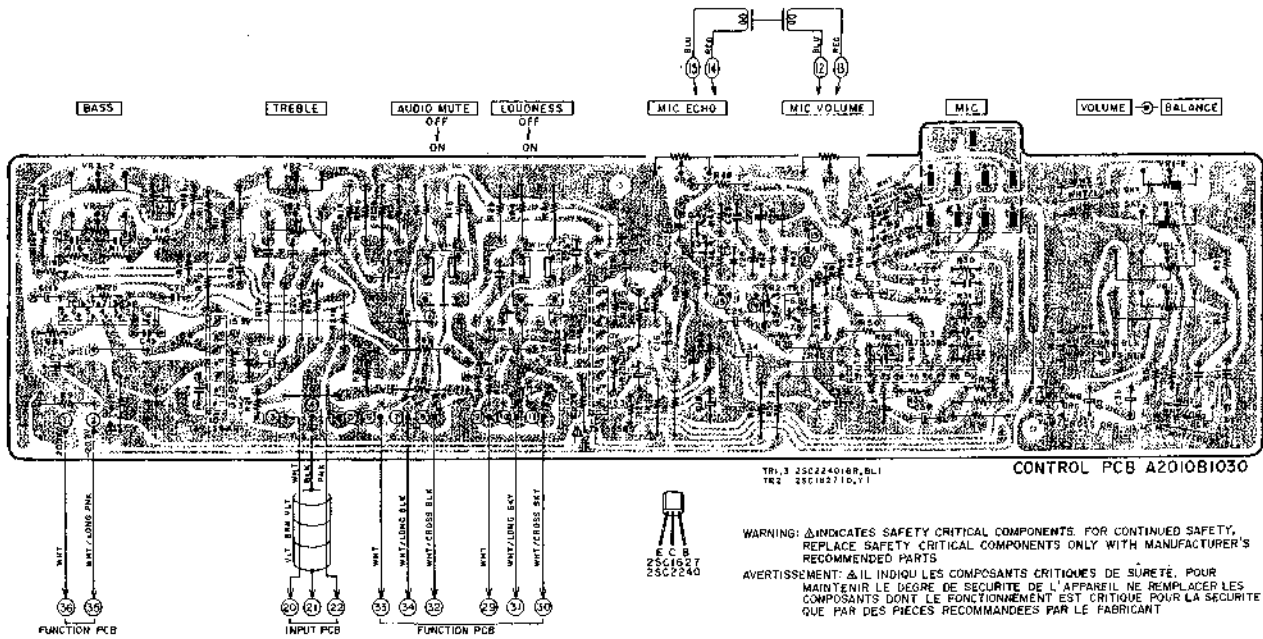
1) Input P.C Board A2010B1010



2) Function P.C Board A2010B1020, Meter P.C Board A2010C1070 and LED P.C Board A2010B1021

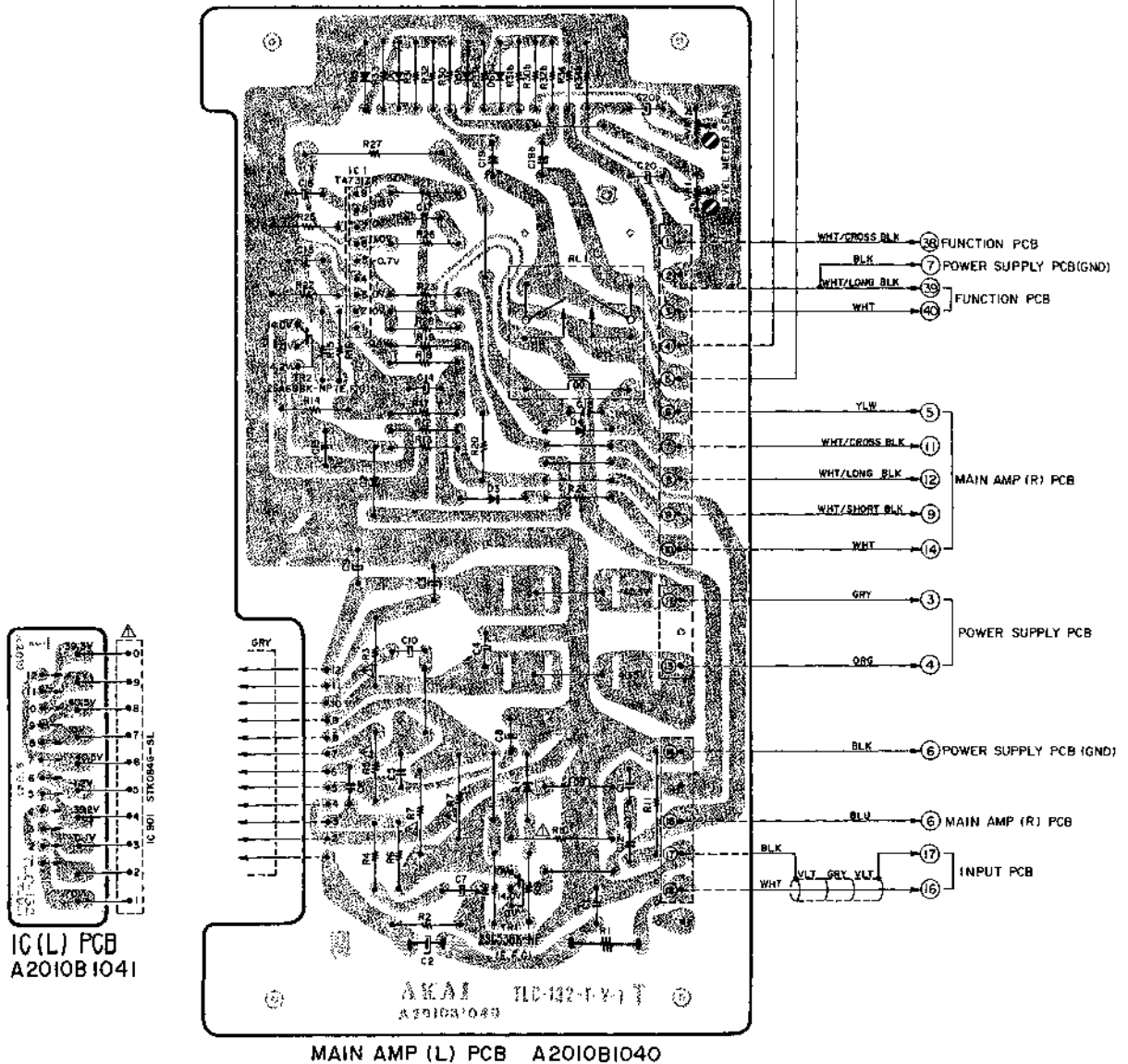
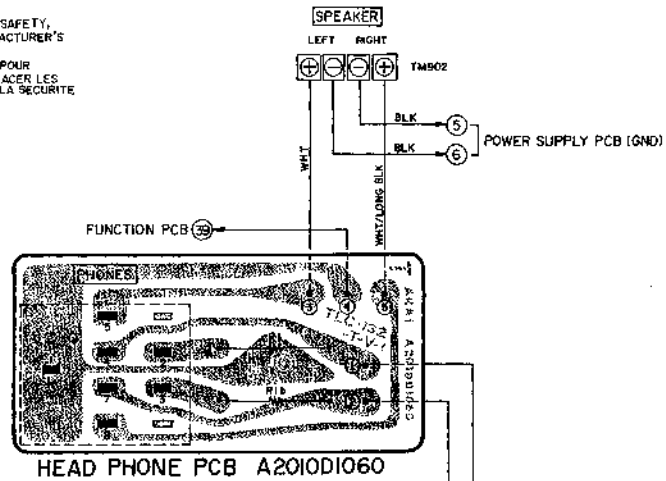


3) Control P.C Board A2010B1030

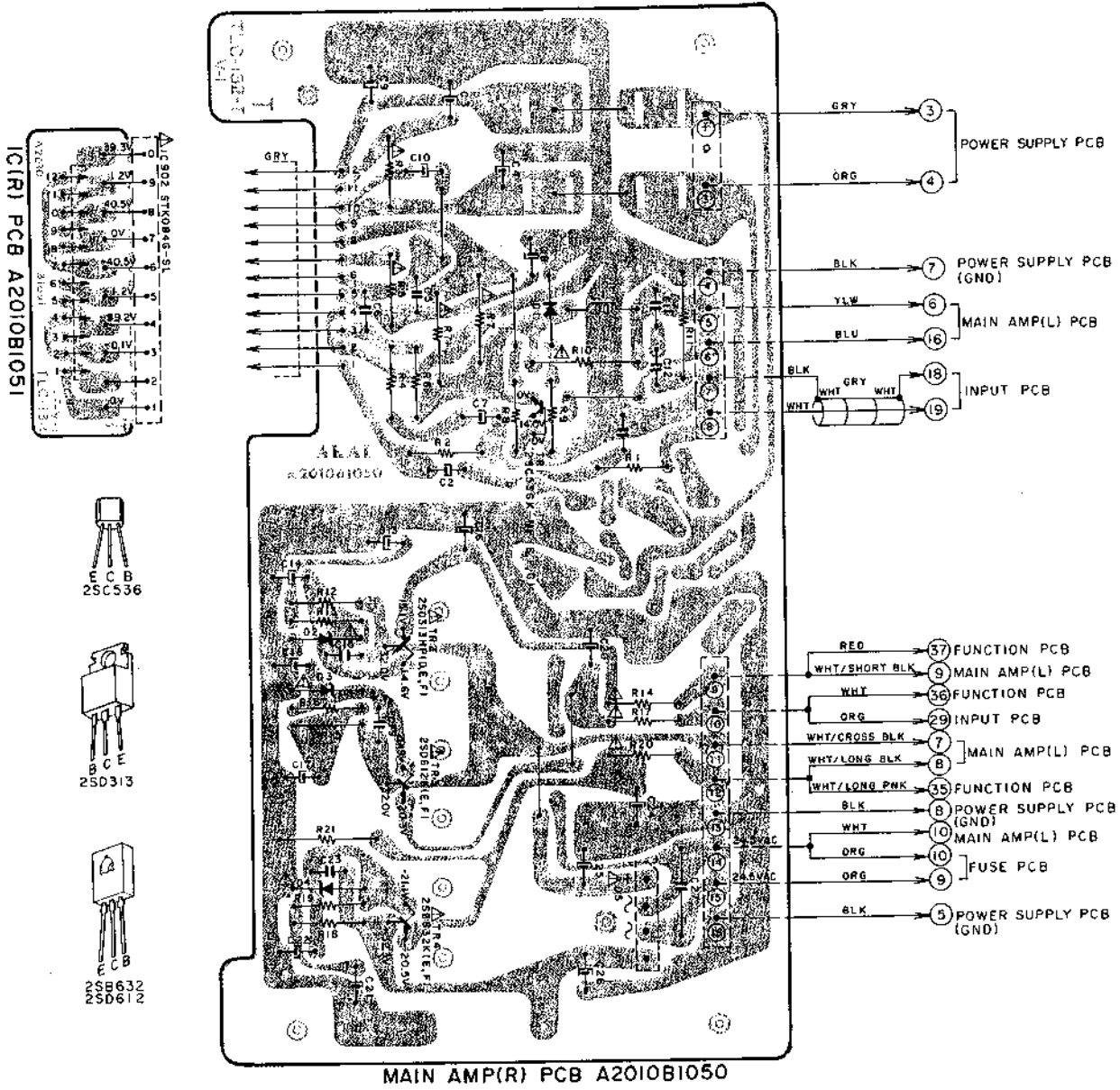


4) Main Amp (L) P.C Board A2010B1040, IC(L) P.C Board A2010B1041 and Headphone P.C Board A2010D1060

WARNING: Δ INDICATES SAFETY CRITICAL COMPONENTS. FOR CONTINUED SAFETY, REPLACE SAFETY CRITICAL COMPONENTS ONLY WITH MANUFACTURER'S RECOMMENDED PARTS.
 AVERTISSEMENT: Δ IL INDIQUE LES COMPOSANTS CRITIQUES DE SÛRETÉ. POUR MAINTENIR LE DEGRÉ DE SÛRETÉ DE L'APPAREIL, NE REMPLACER LES COMPOSANTS DONT LE FONCTIONNEMENT EST CRITIQUE POUR LA SÛRETÉ QUE PAR DES PIÈCES RECOMMANDÉES PAR LE FABRICANT.



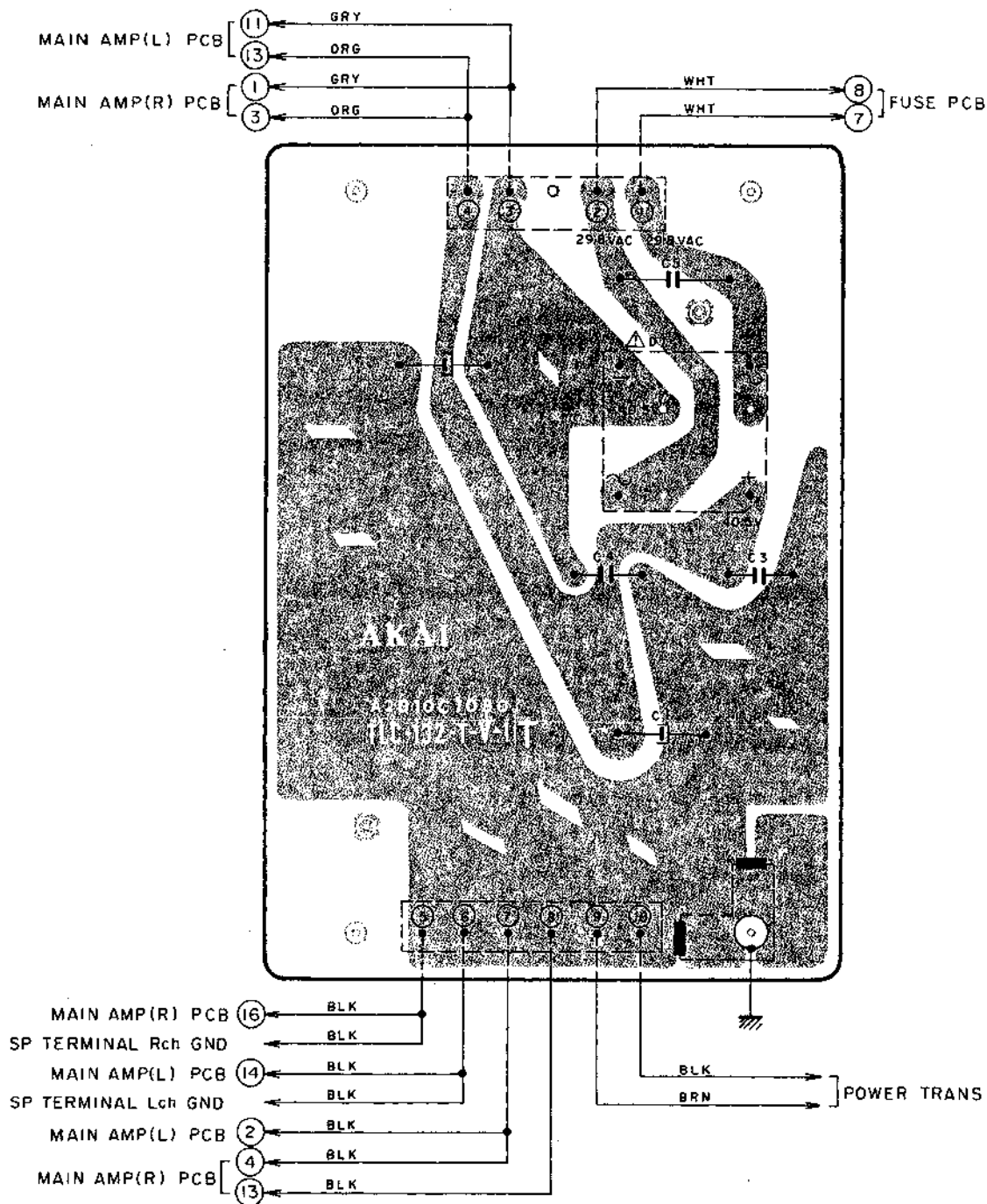
5) Main Amp (R) P.C Board A2010B1050 and IC (R) P.C Board A2010B1051



WARNING: ΔINDICATES SAFETY CRITICAL COMPONENTS. FOR CONTINUED SAFETY, REPLACE SAFETY CRITICAL COMPONENTS ONLY WITH MANUFACTURER'S RECOMMENDED PARTS

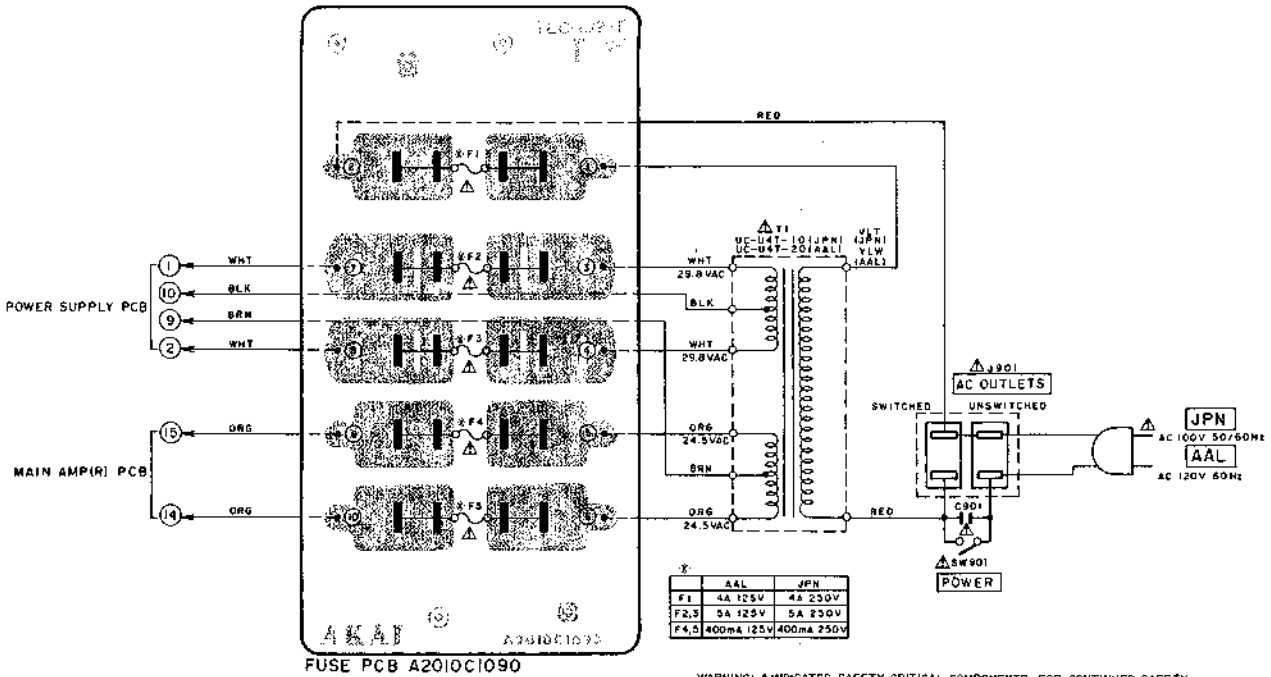
AVERTISSEMENT: ΔIL INDIQUE LES COMPOSANTS CRITIQUES DE SÛRETÉ. POUR MAINTENIR LE DEGRÉ DE SÛRETÉ DE L'APPAREIL, NE REMPLACER LES COMPOSANTS DONT LE FONCTIONNEMENT EST CRITIQUE POUR LA SÛRETÉ QUE PAR DES PIÈCES RECOMMANDÉES PAR LE FABRICANT

6) Power Supply P.C Board A2010C1080



WARNING: Δ INDICATES SAFETY CRITICAL COMPONENTS. FOR CONTINUED SAFETY, REPLACE SAFETY CRITICAL COMPONENTS ONLY WITH MANUFACTURER'S RECOMMENDED PARTS.
 AVERTISSEMENT: Δ IL INDIQUE LES COMPOSANTS CRITIQUES DE SURETÉ. POUR MAINTENIR LE DEGRÉ DE SECURITE DE L'APPAREIL, NE REMPLACER LES COMPOSANTS DON'T LE FONCTIONNEMENT EST CRITIQUE POUR LA SECURITE QUE PAR DES PIECES RECOMMANDEES PAR LE FABRICANT.

7) Fuse P.C Board A2010C1090 (AAL, JPN)



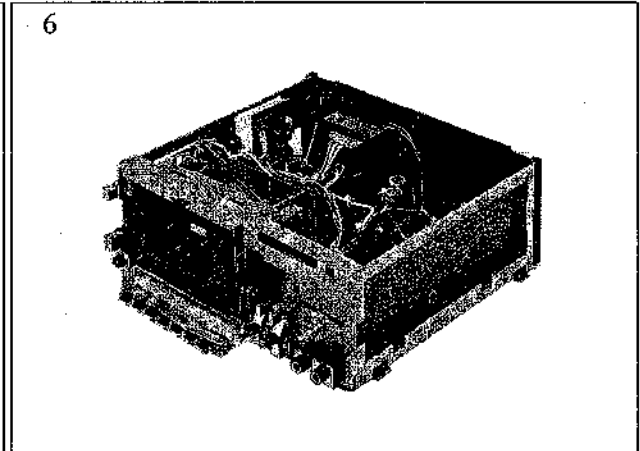
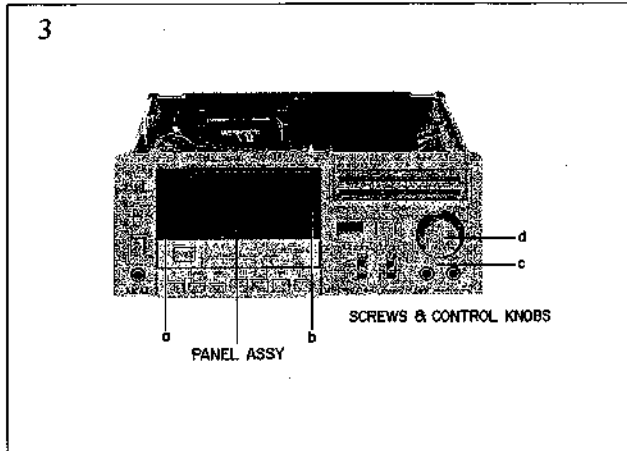
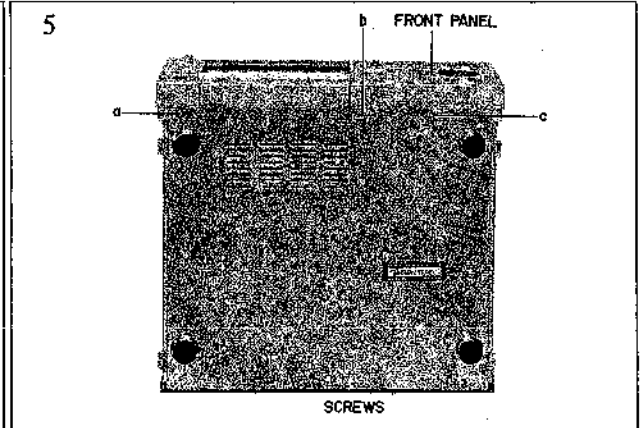
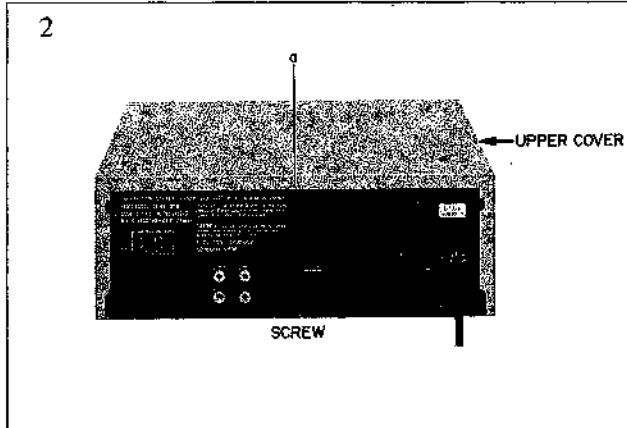
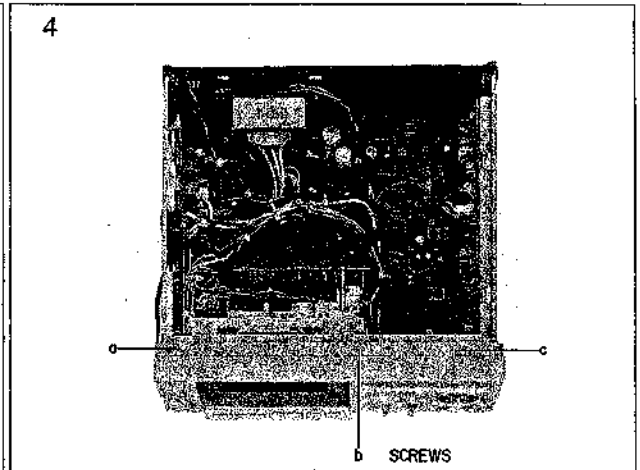
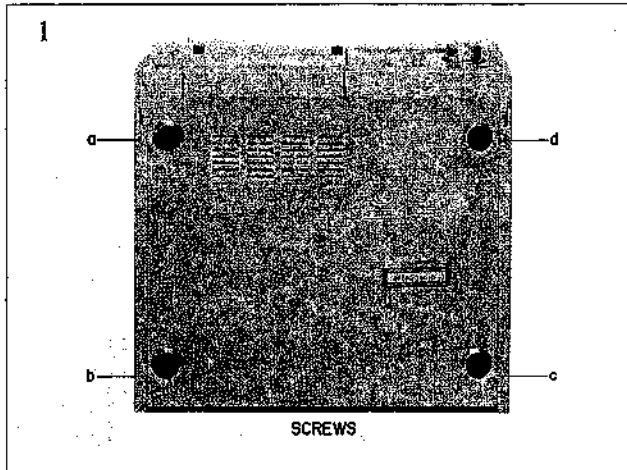
WARNING: Δ INDICATES SAFETY CRITICAL COMPONENTS. FOR CONTINUED SAFETY,
 REPLACE SAFETY CRITICAL COMPONENTS ONLY WITH MANUFACTURER'S
 RECOMMENDED PARTS

AVERTISSEMENT: Δ IL INDIQUE LES COMPOSANTS CRITIQUES DE SÛRETÉ. POUR
 MAINTENIR LE DEGRÉ DE SÛRETÉ DE L'APPAREIL NE REMPLACER LES
 COMPOSANTS DONT LE FONCTIONNEMENT EST CRITIQUE POUR LA SÛRETÉ
 QUE PAR DES PIÈCES RECOMMANDÉES PAR LE FABRICANT

II. DISMANTLING OF UNIT

UC-F3

In case of trouble, etc. necessitating dismantling, please dismantle in the order shown in the photographs. Reassemble in reverse order.



III. CONTROLS

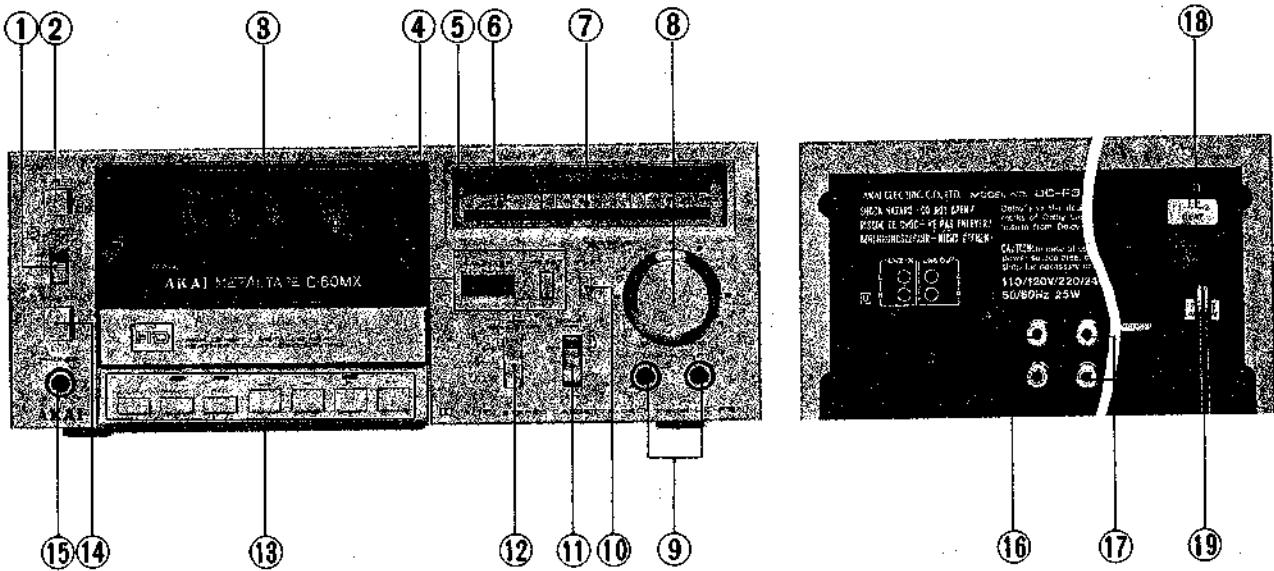


Fig. 1 Controls

- | | |
|--|--------------------------------|
| 1. TIMER START SELECTOR | 10. IPLS BUTTON |
| 2. EJECT BUTTON | 11. DOLBY NR AND FILTER SWITCH |
| 3. CASSETTE RECEPTACLE | 12. TAPE SELECTOR |
| 4. TAPE COUNTER AND RESET BUTTON | 13. OPERATING BUTTONS |
| 5. IPLS INDICATOR | 14. POWER SWITCH |
| 6. DOLBY NR INDICATOR | 15. HEADPHONE JACK |
| 7. LED BAR METER | 16. LINE IN JACKS |
| 8. LEFT → RIGHT RECORDING LEVEL CONTROLS | 17. LINE OUT JACKS |
| 9. MICROPHONE JACKS | 18. BEAT CUT SELECTOR |
| | 19. AC CORD |

IV. PRINCIPAL PARTS LOCATION

UC-F3

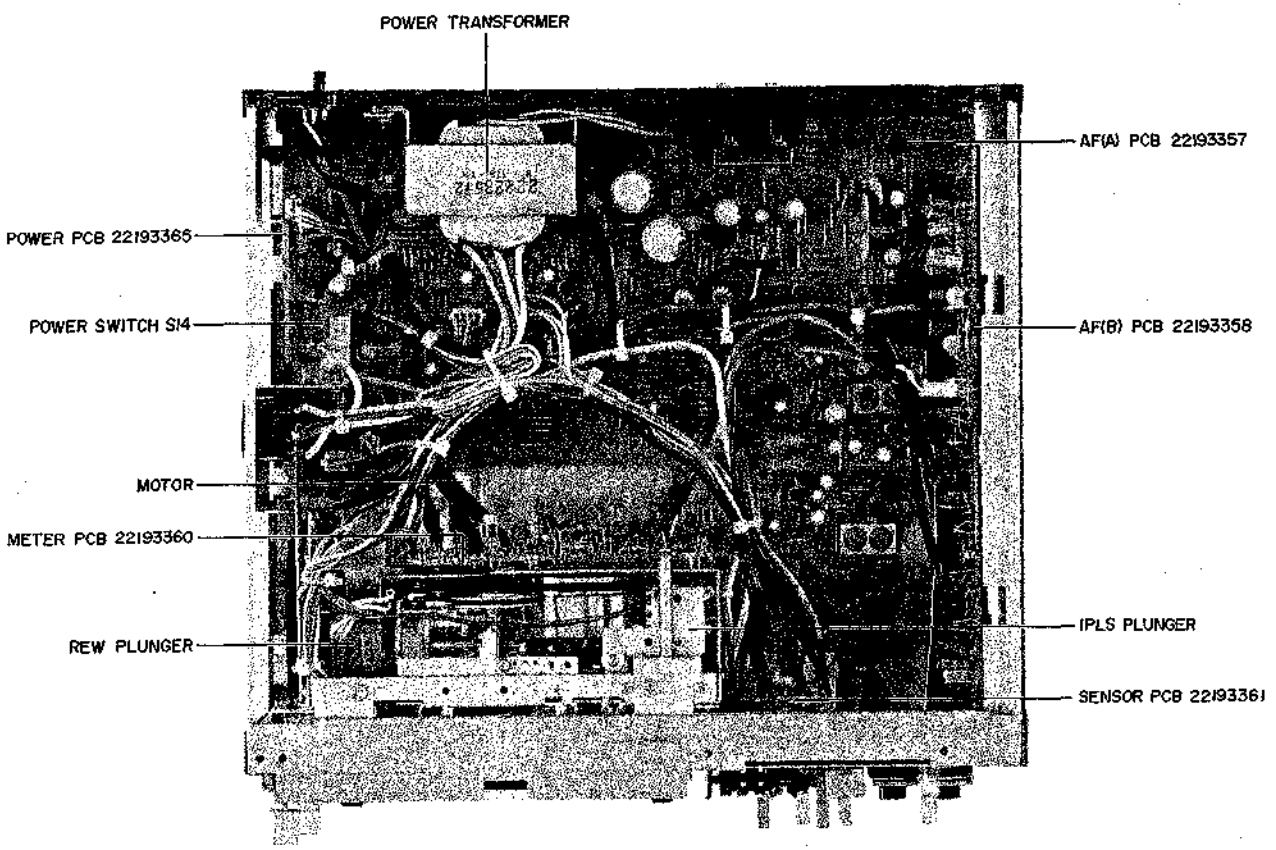


Fig. 2 Top View

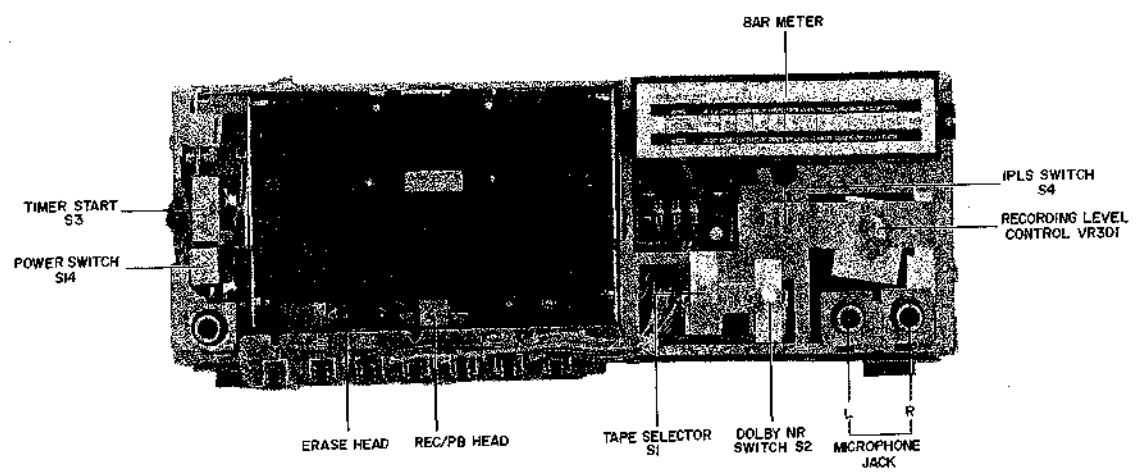


Fig. 3 Front View

V. VOLTAGE AND CYCLE CONVERSION

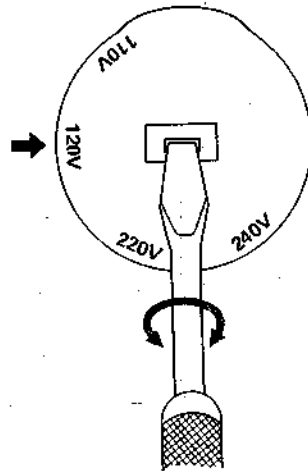


Fig. 4 Voltage Conversion (U/T Model)

1. VOLTAGE CONVERSION

Models for Canada, Europe, USA, UK, Australia and Japan are not equipped with this facility.

Each machine is preset at the factory according to destination, but some machines can be set to 110V, 120V, 220V or 240V as required.

If voltage change is necessary, this can be accomplished as follows:

- 1) Disconnect the power cord.
- 2) Loosen the holding screws and remove the Top panel.
- 3) Turn the Voltage selector until the arrow points to the correct voltage for your area. The Voltage selector is located on the left hand side when viewed from the front. Use a minus screwdriver.

2. CYCLE CONVERSION

With DC motor, cycle conversion is not necessary.

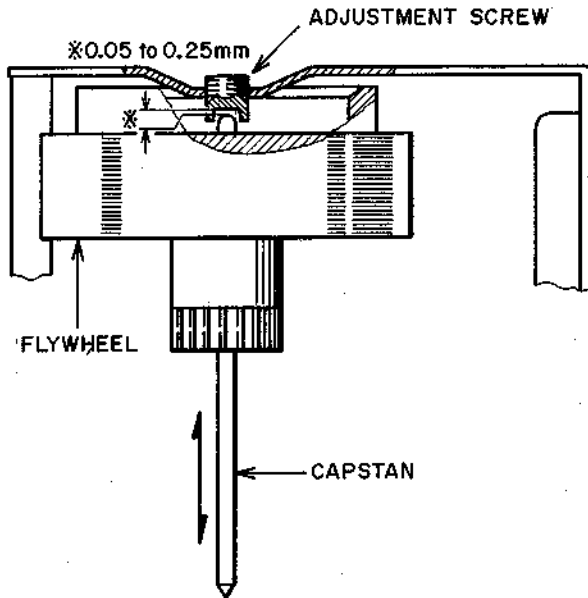


Fig. 5 Flywheel Loose Adjustment

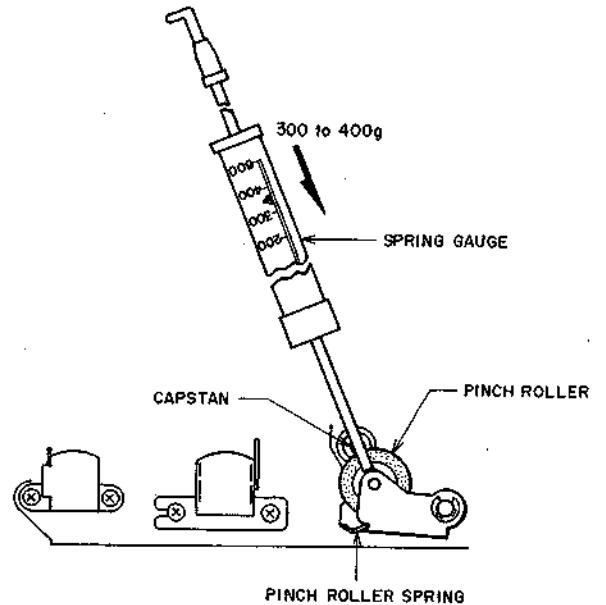


Fig. 6 Pinch Roller Pressure Measurement

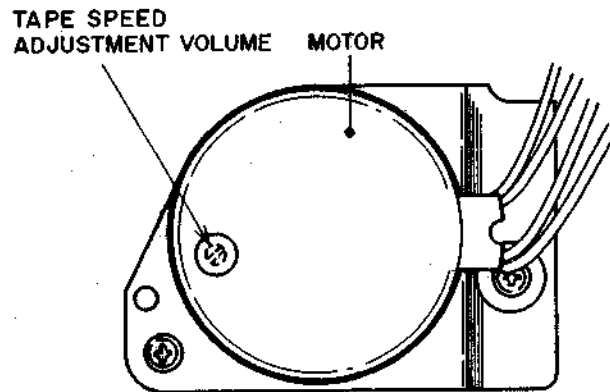


Fig. 7 Tape Speed Adjustment

1. FLYWHEEL LOOSE PLAY ADJUSTMENT (Refer to Fig. 5)

Adjust by turning flywheel loose play adjustment screw to obtain a 0.05 to 0.25 mm of loose play when the flywheel is moved as indicated by the arrow mark. Paint lock the adjustment screw after adjustment.

2. WINDING TORQUE MEASUREMENT IN EACH MODE

Insert cassette torque meter and measure in each mode.

For fast forward and rewind measure at the end of the tape when the tape has stopped running. The specified torque is:

- Playback : 40 to 70 g-cm
- Fast Forward, Rewind : 60 to 130 g-cm
- Back Tension : 1.5 to 5 g-cm

3. PINCH ROLLER PRESSURE MEASUREMENT (Refer to Fig. 6)

At Playback mode, push the pinch roller with a spring gauge until the pinch roller separates from the capstan by about 1 mm to 2 mm and then gently return. Take a reading of the spring gauge indication at the moment the pinch roller touches the capstan and begins to rotate.

Specified Pinch Roller Pressure : 250 to 350 grams
In case specified pressure cannot be attained, replace the pinch roller spring.

4. TAPE SPEED ADJUSTMENT (Refer to Fig. 7)

Connect the frequency counter to the line output terminals. Playback a 1,000 Hz pre-recorded test tape and adjust tape speed adjustment volume to obtain a tape speed of 1,000 Hz \pm 1%.

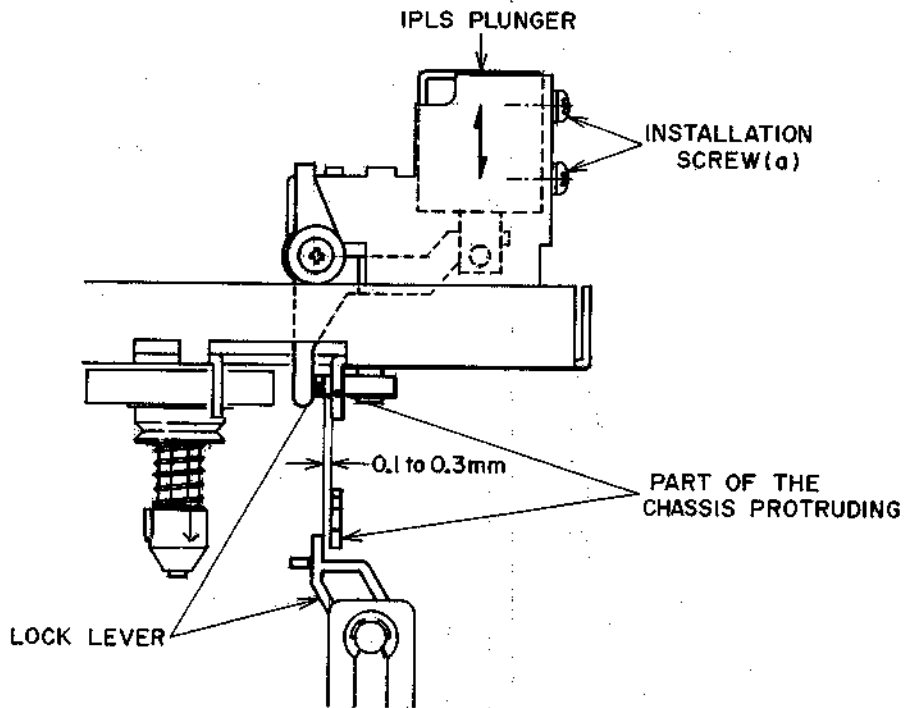


Fig. 8 IPLS Plunger Installation Position Adjustment

**5. IPLS (Instant Program Locating System)
PLUNGER INSTALLATION POSITION
ADJUSTMENT (Refer to Fig. 8)**

Put in F.F mode to active the IPLS plunger. Adjust the position of IPLS plunger with installation screw (a), so that the distance between the part of the chassis protruding and lock lever is 0.1 to 0.3mm. Paint lock the installation screw(a) after adjustment.

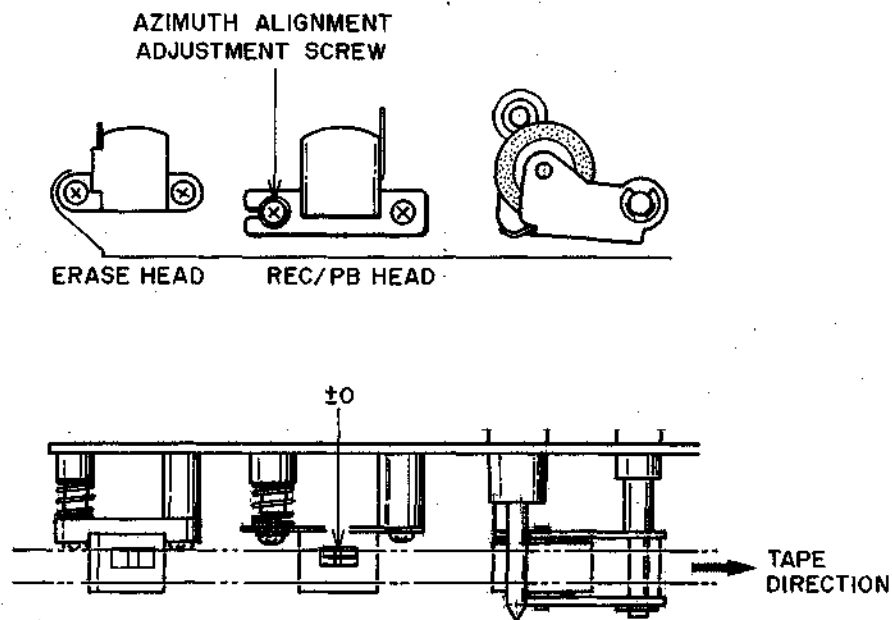


Fig. 9 Head Adjustment

- a) Playback a 10 kHz pre-recorded cassette azimuth alignment test tape and adjust screw shown in Fig. 9 to obtain maximum output on both channels.
- b) Invert cassette and confirm that the output level does not change from that obtained in Item a) above.
If the output level differs, adjust in the same way as in Item a) above until both sides of the test tape display equal output.

NOTES:

1. Be sure to clean the heads prior to head adjustment.
2. Be careful not to use a magnetized driver or other magnetized tools in the vicinity of the heads.
3. Be sure to demagnetize the heads with a Head Demagnetizer before and after head adjustment.

VIII. AMPLIFIER ADJUSTMENT

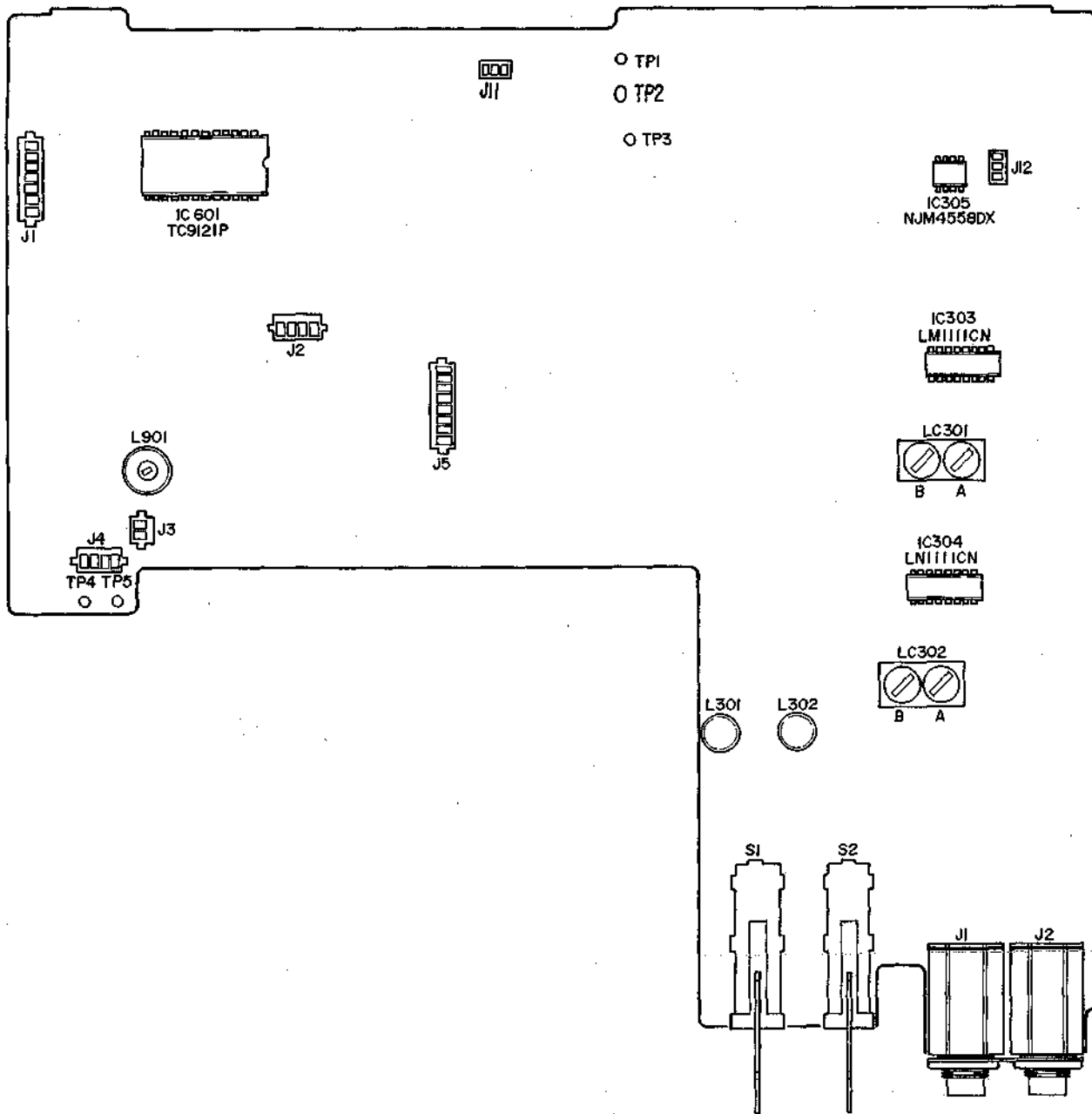


Fig. 10 AF (A) P.C Board (Parts Side View)

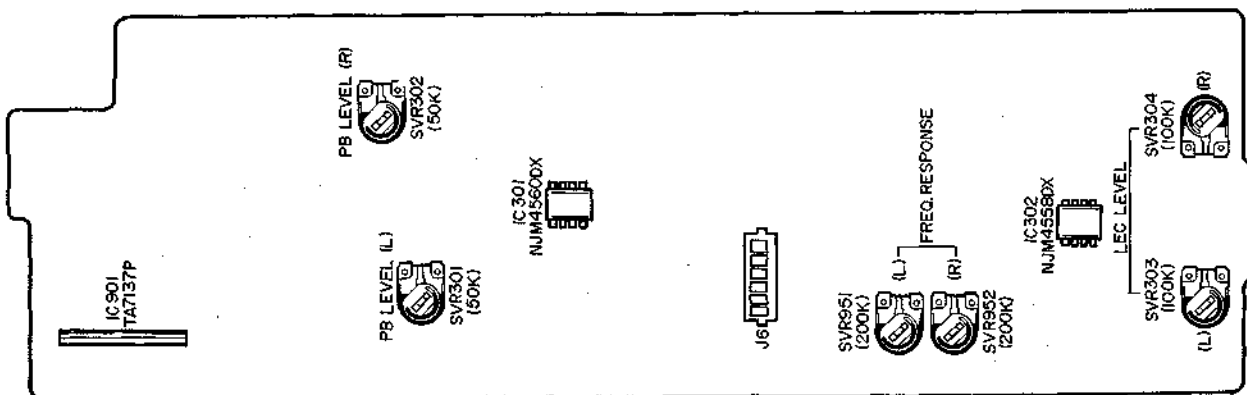


Fig. 11 AF (B) P.C Board (Parts Side View)

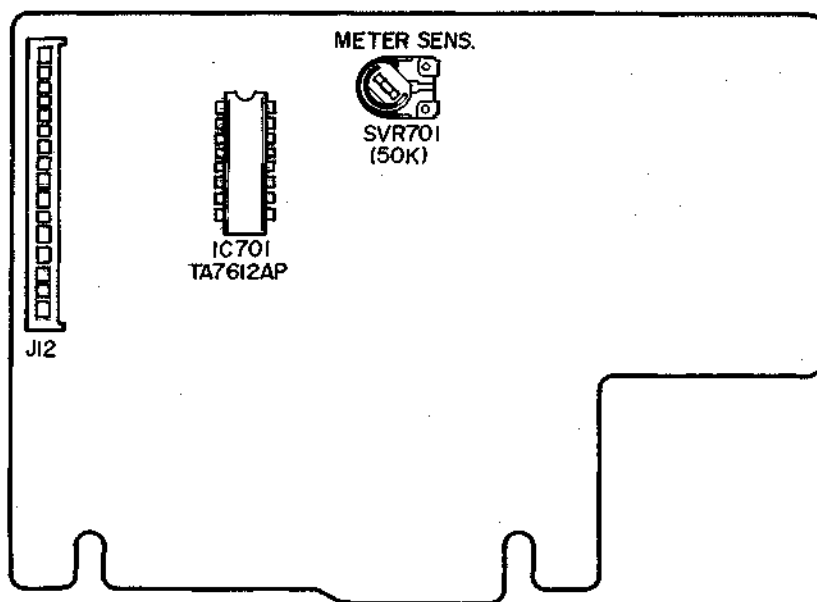


Fig. 12 Meter P.C Board (Parts Side View)

Step	Adjustment Item	Test Tape Supply Signal	Mode	Adjustment Point	Result	Remarks
1	Playback Level	333 Hz, 0 VU test tape	PB	SVR301 (50K) Left SVR302 (50K) Right	-6.6 ± 0.5 dBm (360 mV)	
2	Bar Meter Sensitivity	1,000 Hz -10 dBm (245 mV) from Oscillator	REC	SVR701 (50K)	0 VU indication	
3	Recording Level	CrO ₂ Blank Tape (TDK SA C-60) 1,000 Hz -10 dBm (245 mV) Recording	REC /PB	SVR303 (100K) Left SVR304 (100K) Right	-6.6 ± 0.5 dBm (360 mV)	Set tape selector to CrO ₂ Position
4	Frequency Response	CrO ₂ Blank Tape 1,000 Hz -30 dBm (24 mV) Recording	REC /PB	SVR951 (200K) Left SVR952 (200K) Right	1,000 Hz to 10,000 Hz flat	Set tape selector to CrO ₂ Position
5	Bias Filter	85 kHz from an oscillator	REC	LC301 (A) LC302 (A)	AC Voltmeter indicators to minimum.	NOTE 5
6	19 kHz Filter	19 kHz from an oscillator	REC	LC301 (B) LC301 (B)	AC Voltmeter indicators to minimum	NOTE 4, 5

NOTES: 1. Dolby NR Switch to OFF Position.

2. Except for Step 6, set MPX Filter Switch to OFF Position.

3. Because each of these adjustments is vital to perfect Dolby NR circuit operation, ensure that they are carried out with as few errors as possible.

4. Adjust the oscillator's frequency to give a frequency counter reading of 19.00 kHz.

5. Unless the core is moved unintentionally this adjustment is not necessary.

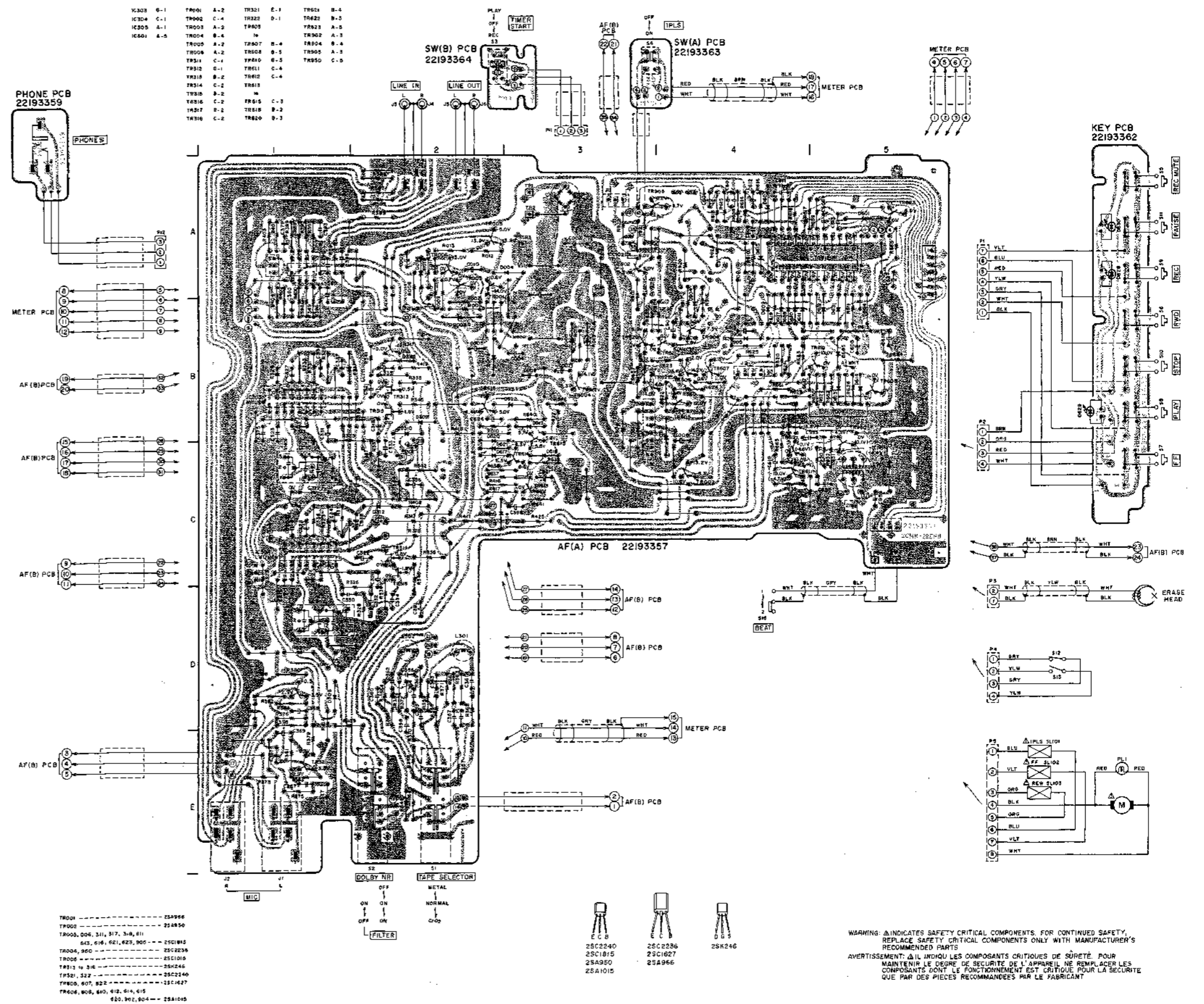
IX. CLASSIFICATION OF VARIOUS P.C BOARD

1. P.C BOARD TITLES AND IDENTIFICATION NUMBERS

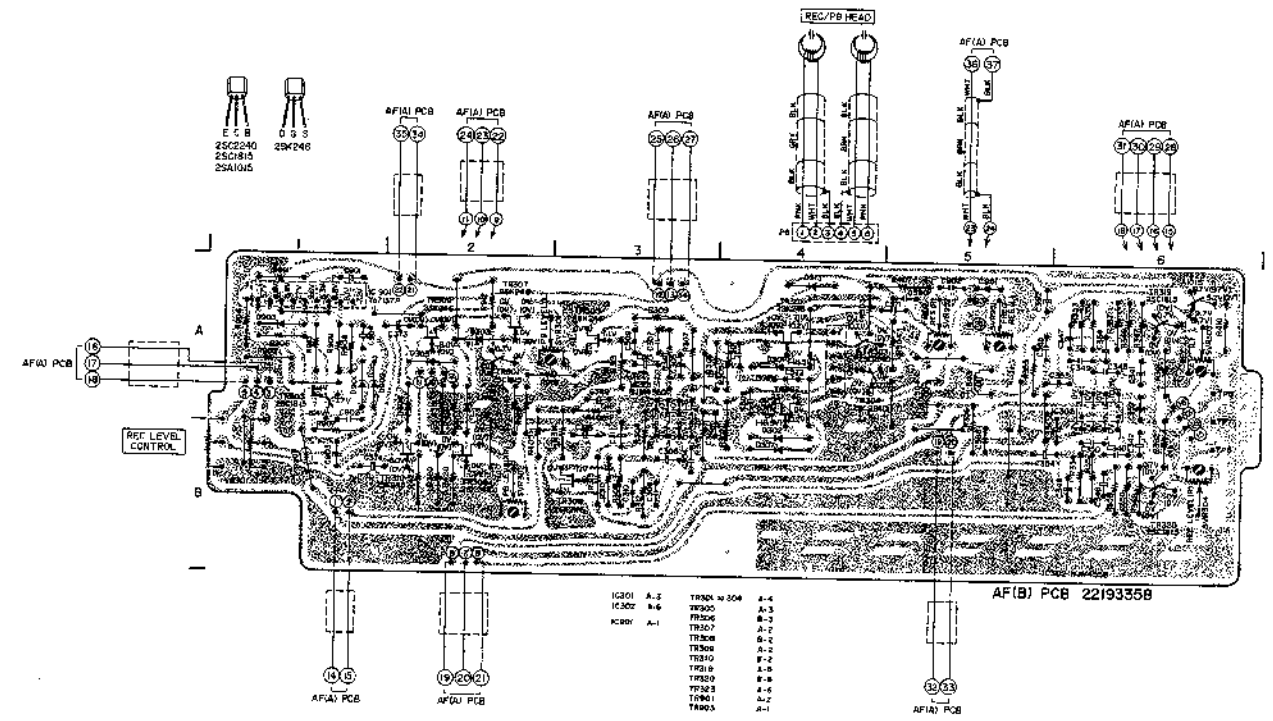
P.C Board Title	P.C Board Number
AF (A) P.C Board	22193357
AF (B) P.C Board	22193358
Phone P.C Board	22193359
Meter P.C Board	22193360
Sensor P.C Board	22193361
Key P.C Board	22193362
SW (A) P.C Board	22193363
SW (B) P.C Board	22193364
Power P.C Board	22193365

2. COMPOSITION OF VARIOUS P.C BOARDS

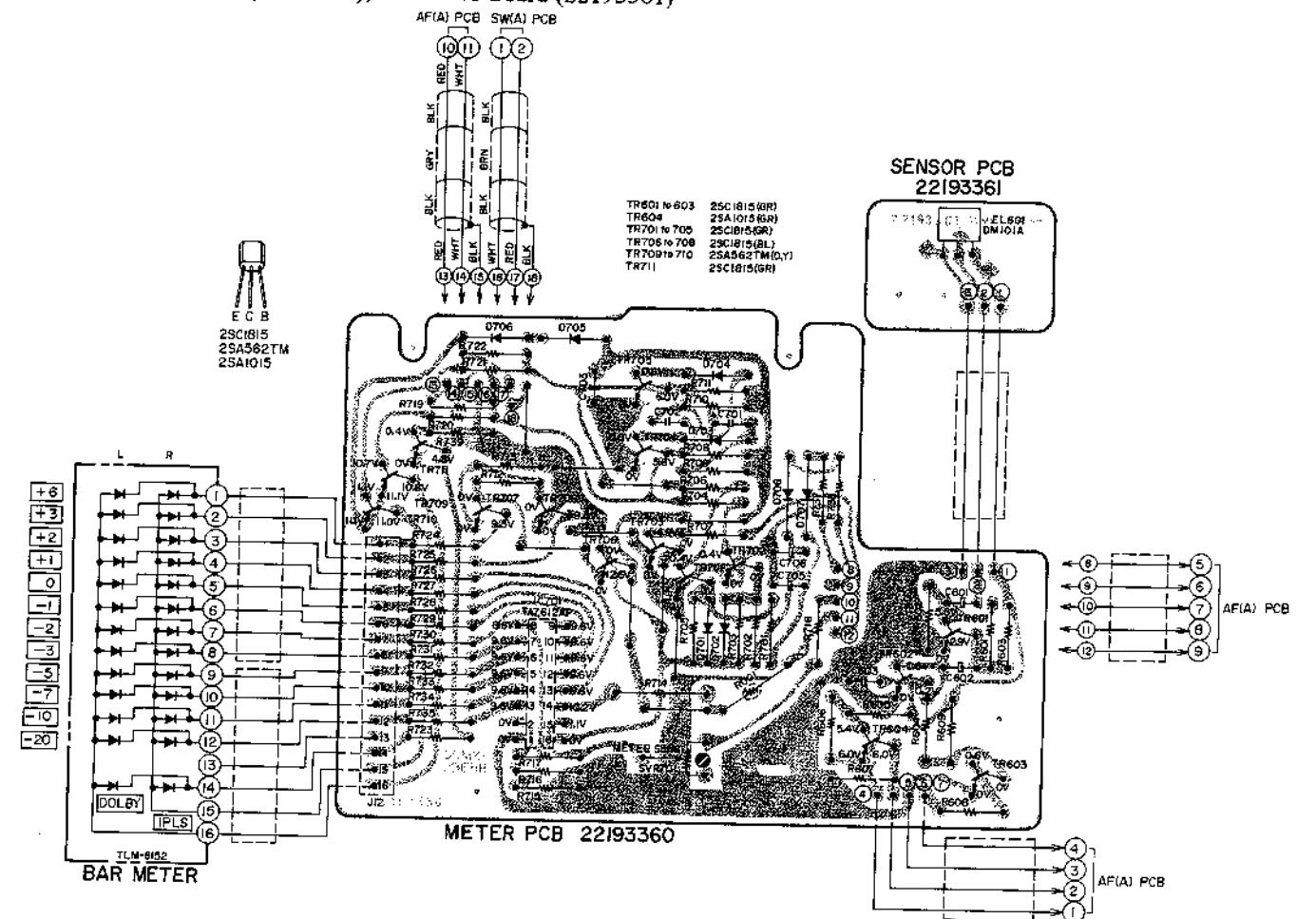
1) AF (A) P.C Board (22193357), Key P.C Board (22193362), SW (A) P.C Board (22193363), SW (B) P.C Board (22193364), PHONE P.C Board (22193359)



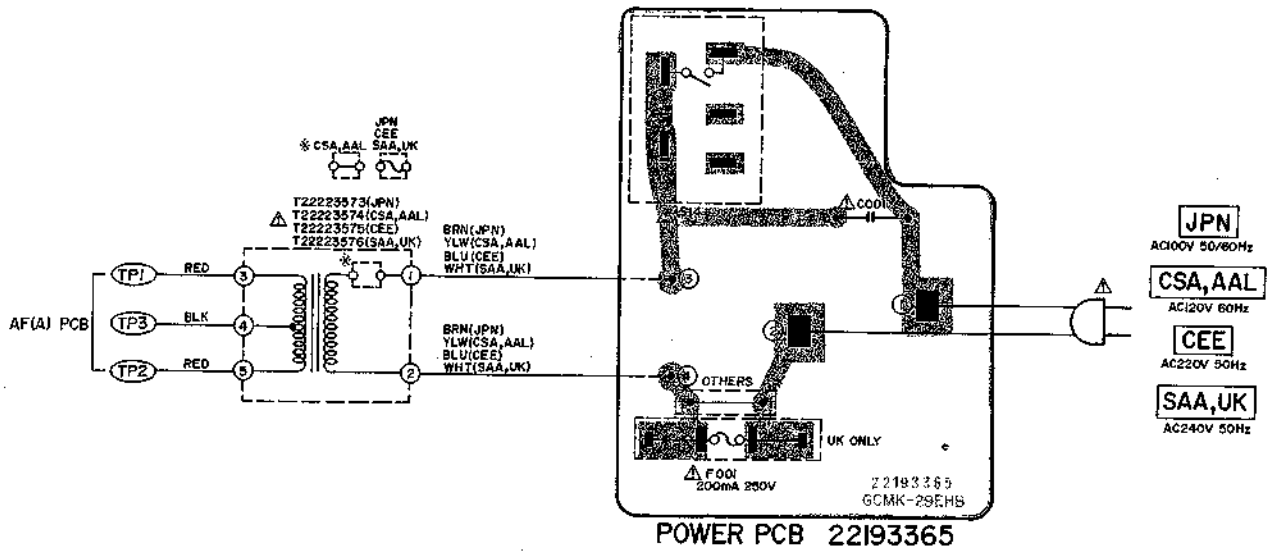
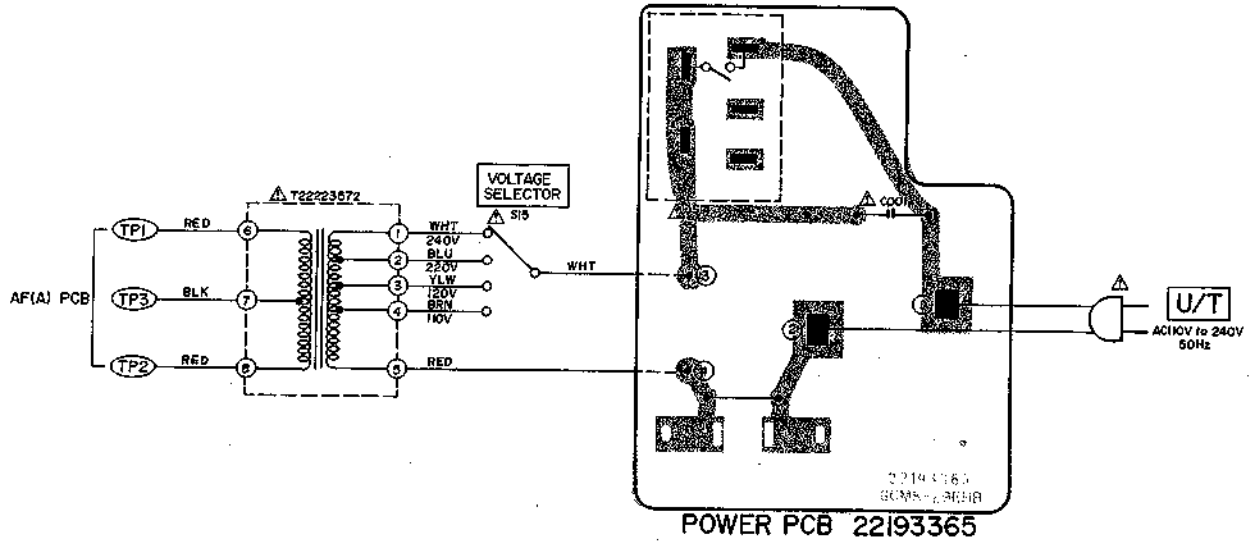
2) AF (B) P.C Board (22193358)



3) Meter P.C Board (22193360), Sensor P.C Board (22193361)



4) Power P.C Board (22193365)



WARNING: Δ INDICATES SAFETY CRITICAL COMPONENTS. FOR CONTINUED SAFETY, REPLACE SAFETY CRITICAL COMPONENTS ONLY WITH MANUFACTURER'S RECOMMENDED PARTS.

AVERTISSEMENT: Δ IL INDIQUE LES COMPOSANTS CRITIQUES DE SÛRETÉ. POUR MAINTENIR LE DEGRÉ DE SÛRETÉ DE L'APPAREIL, NE REMPLACER LES COMPOSANTS DONT LE FONCTIONNEMENT EST CRITIQUE POUR LA SÛRETÉ QUE PAR DES PIÈCES RECOMMANDÉES PAR LE FABRICANT.

-MEMO-

SECTION 5

PARTS LIST

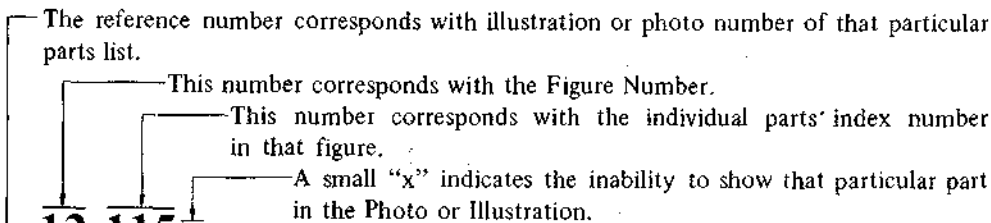
TABLE OF CONTENTS

I. MODEL UC K3E	73
1. RECOMMENDED SPARE PARTS	73
2. GROUP P.C. BOARD BLOCK	74
3. TUNER P.C. BOARD BLOCK	74
4. LED P.C. BOARD BLOCK	74
5. MUTE P.C. BOARD BLOCK (EXCEPT JPN MODEL)	74
6. COUNTER P.C. BOARD BLOCK	74
7. CAL TUNE P.C. BOARD BLOCK (JPN MODEL ONLY)	74
8. ASSEMBLY BLOCK	75
9. FINAL ASSEMBLY BLOCK	76
II. MODEL UC G3E	77
1. RECOMMENDED SPARE PARTS	77
2. AF P.C. BOARD BLOCK	77
3. METER P.C. BOARD BLOCK	77
4. ASSEMBLY BLOCK	78
5. FINAL ASSEMBLY BLOCK	79
III. MODEL UC U3	80
1. RECOMMENDED SPARE PARTS	80
2. MAIN AMP (R) P.C. BOARD BLOCK	81
3. MAIN AMP (L) P.C. BOARD BLOCK	81
4. CONTROL P.C. BOARD BLOCK	81
5. FUNCTION P.C. BOARD BLOCK	81
6. POWER SUPPLY P.C. BOARD BLOCK	81
7. ASSEMBLY BLOCK	82
8. FINAL ASSEMBLY BLOCK	84
IV. MODEL UC U4	85
1. RECOMMENDED SPARE PARTS	85
2. MAIN AMP (R) P.C. BOARD BLOCK	86
3. MAIN AMP (L) P.C. BOARD BLOCK	86
4. CONTROL P.C. BOARD BLOCK	86
5. FUNCTION P.C. BOARD BLOCK	86
6. INPUT P.C. BOARD BLOCK	86
7. POWER SUPPLY P.C. BOARD BLOCK	86
8. ASSEMBLY BLOCK	87
9. FINAL ASSEMBLY BLOCK	88
V. MODEL UC F3	89
1. RECOMMENDED SPARE PARTS	89
2. AF P.C. BOARD BLOCK	90
3. AF (B) P.C. BOARD BLOCK	90
4. METER P.C. BOARD BLOCK	90
5. KEY P.C. BOARD BLOCK	91
6. SW (A) P.C. BOARD BLOCK	91
7. SW (B) P.C. BOARD BLOCK	91
8. PHONE P.C. BOARD BLOCK	91
9. SENSOR P.C. BOARD BLOCK	91
10. POWER P.C. BOARD BLOCK	91
11. MECHA ASSEMBLY BLOCK	91
12. ASSEMBLY BLOCK	94
13. FINAL ASSEMBLY BLOCK	96

Resistor and Capacitor which is not listed in this parts list, please refer to COMMON LIST FOR SERVICE PARTS.

HOW TO USE THIS PARTS LIST

1. This parts list is compiled by various individual blocks based on assembly process.
2. When ordering parts, please describe parts number, serial number, and model number in detail.
3. How to read list.



Ref. No.	Parts No.	Description
FLYWHEEL BLOCK #13		
12-115x	800425	Flywheel Block Assy. Comp.
12-116	244506	Flywheel Only
12-117x	244754	Felt, Flywheel
12-118	251324	Main Metal Case
12-119	253080	Main Metal

4. The symbol numbers shown on the P.C. Board list can be matched with the Composite Views of components of the Schematic Diagram or Service Manual.
5. The indications of Resistors and Capacitors in the photos of P.C. Board are being eliminated.
6. The shape of the parts and parts name, etc. can be confirmed by comparing them with the parts shown on the Electrical Parts Table of P.C. Board.
7. Both the kind of part and installation position can be determined by the Parts Number. To determine where a parts number is listed, utilize Parts Index at end of Parts List.
It is necessary first of all to find the Parts Number. This can be accomplished by using the Reference Number listed at right of parts number in the Parts Index. (meaning of ref. no. outlined in Item 3 above).
8. Utilize separate "Price List for Parts" to determine unit price. The most simple method of finding parts Price is to utilize the reference number.

CAUTION:

1. When placing an order for parts, be sure to list the parts no. model no., and description. There are instances in which if any of this information is omitted, parts cannot be shipped or the wrong parts will be delivered.
2. Please be careful not to make a mistake in the parts no. If the parts no. is in error, a part different from the one ordered may be delivered.
3. Because parts number and parts unit supply in the Preliminary Service Manual (Basic Parts List) may be partially changed, please use this parts list for all future reference.

G. **△ INDICATES SAFETY CRITICAL COMPONENTS. FOR CONTINUED SAFETY, REPLACE SAFETY CRITICAL COMPONENTS ONLY WITH MANUFACTURER'S RECOMEMNDED PARTS.**

ASSEMENT: **△ IL INDIQU LES COMPOSANTS CRITIQUES DE SURETE. POUR MAINTENIR LE DEGRE DE SECURITE DE L'APPAREIL NE REMPLACER LES COMPOSANTS DONT LE FONCTIONNEMENT EST CRITIQUE POUR LA SECURITE QUE PAR DES PIECES RECOMMANDEES PAR LE FABRICANT.**

I. RECOMMENDED SPARE PARTS

Because, if the parts listed below are on hand, almost any repair can be accomplished, we suggest that you stock these Recommended Spare Parts Items.

REF. NO.	PARTS NO.	DESCRIPTION	NOTES
1-1	BT312344	△ TRANS POWER UC-K3T-10	(JPN)
1-2	BT312350	△ TRANS POWER UC-K3T-30	(CSA, AAL)
1-3	BT312391	△ TRANS POWER UC-K3T-40	(CEE)
1-4	BT312392	△ TRANS POWER UC-K3T-50	(UK, SAA)
1-5	BT312393	△ TRANS POWER UC-K3T-70	(U/T)
1-6	EC616342	C S-FIX H CTY122D33 1.5-16	
1-7	ED322247	D LED SLP-151D RED	
1-8	ED322184	D LED SLP-152D RED	
1-9	ED322215	D LED SLP-251D GRN	
1-10	ED200469	D SILICON H DS448 FA1 F10	
1-11	ED322238	D SILICON 1B4B41 100/1.0A	
1-12	ED224526	D SILICON 10D1 100/1.0A	
1-13	ED313284	D ZENER H WZ-036	
1-14	ED323216	D ZENER H 05Z15 U	
1-15	ED322774	D ZENER H 05Z5.1 U	
1-16	ED325080	D ZENER H 05Z9.1 L	
1-17	EE313160	ANT BAR UC-K3 LW	
1-18	EE312738	ANT BAR UC-K3 MW	
1-19	EE312528	FRONT END FF134J14	
		75-91MHz	(JPN)
1-20	EE312527	FRONT END FF136U14	
		87-108MHz	(U/T, CSA, CEE, UK, SAA)
1-21	EF300590	△ FUSE EAWK T 250V 0.40A	(F1) (CEE, UK, SAA)
1-22	EF308933	△ FUSE TSC A 250V 0.20A	(F2,3) (U/T)
1-23	EF309389	△ FUSE TSC A 250V 0.40A	(F1) (U/T)
1-24	EF308848	△ FUSE TSC 125V 0.40A	(F1) (CSA, AAL)
1-25	EI312443	IC KB4438	
1-26	EI322248	IC LA1231N	
1-27	EI293185	IC LA1240	
1-28	EI650597	IC LA3350S	
1-29	EI315491	IC LB1405S	
1-30	EI328850	IC LC7259	
1-31	EI328849	IC M54459L	
1-32	EI323231	OSC X'TAL 4MHz	
1-33	EJ301513	△ SOCKET INLETS-I6453 E 2P	(CEE, UK, SAA)
1-34	EM328848	IND LE SL-1713W CHARACTER	
1-35	ER307204	FILTER CE CFMA-008 0.468MHz	
1-36	ER307201	FILTER CE SFE10.7MM-Z 10.7MHz	
1-37	ER328855	FILTER LC LP 12A1251 AKAI	
1-38	ES315159	△ SW PUSH SDG1P 01-1 J	(JPN)
1-39	ES310839	△ SW PUSH SDG1P-E 01-1 E	(U/T, CEE, UK, SAA)
1-40	ES665875	△ SW PUSH SDG1P-J 01-1 UC	(CSA, ALL)
1-41	ES312415	SW PUSH SUF33 3 THROW	
1-42	ES312416	SW PUSH SUF33 3 THROW	
1-43	ES312427	SW PUSH SUF33 3 THROW	
1-44	ET323232	TR FET 2SK19 Y	
1-45	ET316171	TR 2SC536K-NP E,F	
1-46	ET316643	TR 2SC536K-NP F,G	
1-47	ET618873	TR 2SC930 E,F	
1-48	ET452531	TR 2SD313 E,F	
1-49	EV321635	R S-FIX H D8 3P 102	
1-50	EV322416	R S-FIX H D8 3P 303	
1-51	EV321682	R S-FIX H D8 3P 501	
1-52	EV427858	R S-FIX H SR19R 3P 0.15W 472	
1-53	EV315416	R S-FIX H D8 3P 103	

2. GROUP P.C BOARD BLOCK

REF. NO.	PARTS NO.	DESCRIPTION
2-1	BAA3014A030A	GROUP PC BLK UC-K3(U)
2-2	BAA3014A030B	GROUP PC BLK UC-K3(J)
2-3	BAA3014A030C	GROUP PC BLK UC-K3(C) (CSA, AAL)
2-4	BAA3014A030D	GROUP PC BLK UC-K3 (E) (CEE, SAA)
2-5	BAA3014A030E	GROUP PC BLK UC-K3L

Note: Ref. No. 2-1 to 2-5 Group PC BLK included the following P.C Board Blocks and supplied as a set.

3. Tuner PC BLK
4. LED PC BLK
5. Mute PC BLK (Except JPN Model)
6. Counter PC BLK
7. Cal Tone PC BLK (JPN Model Only)

3. TUNER P.C BOARD BLOCK

REF. NO.	PARTS NO.	DESCRIPTION
3-1	EE312527	FRONT END FF136U14 87-108MHz (U/T, CSA, AAL, CEE, UK, SAA)
3-2	EE312528	FRONT END FF134J14 75-91MHz (JPN)
3-IC1	EI322248	IC LA1231N
3-IC2	EI650597	IC LA3350S
3-IC3	EI312443	IC KB4438
3-IC4	EI293185	IC LA1240
3-TR1	ET618873	TR 2SC930 E, F
3-TR2 to 9	ET316643	TR 2SC536K-NP F,G
3-TR10	ET323232	TR FET 2SK19 Y
3-TR11	ET452531	△ TR 2SD313 E, F
3-D1 to 8	ED200469	D SILICON H DS448 FA1 F10
3-D9	ED313284	D ZENER H WZ-036
3-D10	ED200469	D SILICON H DS448 FA1 F10
3-D11	ED322238	△ D SILICON 1B4B41 100/1.0A
3-D12	ED323216	△ D ZENER H 05Z15 U
3-D13	ED224526	△ D SILICON 10D1 100/1.0A
3-J1	EJ202214	PIN J T-5753 P 2P
3-SW1	ES312415	SW PUSH SUF33 3 THROW (U/T, CSA, AAL, CEE, SAA)
3-SW1	ES312416	SW PUSH SUF33 3 THROW (JPN)
3-SW1	ES312427	SW PUSH SUF33 3 THROW(L)
3-VR1,2	EV322416	R S-FIX H D8 3P 303
3-VR3	EV427858	R S-FIX H SR19R 3P 0.15W 472
3-VR4	EV321682	R S-FIX H D8 3P 501
3-L1, 2	EO328137	COIL FIX 2 NI-0036 2.2μH
3-L3	EO304650	COIL FIX 1 FL05H 33μH K (L)
3-T1	EO328854	COIL DET2 Q228CEL-1098R
3-T2	ER293398	COIL IFT RMC-42246BCH 468KHz
3-T3	ER307204	FILTER CE CFMA-008 0.468MHz
3-T4	ER293398	COIL IFT RMC-42246BCH 468KHz (L)
3-T5	EO307186	COIL OSC 2 RWR-43208N 160μH
3-T6	EO322240	COIL VARI 2 RZN-43914N (L)
3-T7	EO201252	COIL OSC2 RNR-44498N 600μH (L)
3-FL1,2	ER307201	FILTER CE SFE10.7MM-Z 10.7MHz
3-FL3,4	ER328855	FILTER LC LP 12A1251 AKAI
3-VC1,2	EC616342	C S-FIX H CTY122D33 1.5-16
3-VC3,4	EC616342	C S-FIX H CTY 122D33 1.5-16 (L)
3-R7,8	ER324337	△ R CB H SNP FS RDS 1/4W 560J
3-R13,14	ER324337	△ R CB H SNP FS RDS 1/4W 560J
3-R31,32	ER324337	△ R CB H SNP FS RDS 1/4W 560J
3-R44,45	ER324337	△ R CB H SNP FS RDS 1/4W 560J
3-R63,64	ER324480	△ R CB H SNP FS RDS 1/4W 470J
3-R65,66	ER324337	△ R CB H SNP FS RDS 1/4W 560J
3-R73,74	ER324337	△ R CB H SNP FS RDS 1/4W 560J
3-C33	EC328862	C STY V F05 CQF09 152J 50DC
3-C39	EC323073	C STY V F05 CQF09 202J 50DC (U/T, JPN, CEE, UK, SAA)
3-C39	EC322983	C STY V F05 CQF09 302J 50DC (CSA, AAL)
3-C40	EC323073	C STY V F05 CQF09 202J 50DC (U/T, JPN, CEE, UK, SAA)
3-C40	EC322983	C STY V F05 CQF09 302J 50DC (JPN)

REF. NO.	PARTS NO.	DESCRIPTION
3-C42,43	EC324109	C STY V SNP CQFS 181J 50DC
3-C70,71	EC320548	C CE V F 103Z 250AC
3-C73	EC320548	C CE V F 103Z 250AC
3-C75	EC314996	C STY V SNP CQFS 391J 50DC
3-C99	EC201253	C STY V F05 CQF09 161J 50DC (L)

4. LED P.C BOARD BLOCK

REF. NO.	PARTS NO.	DESCRIPTION
4-IC1	EI315491	IC LB1405S
4-D1	ED322247	D LED SLP-151D RED
4-D2	ED322215	D LED SLP-251D GRN
4-D3	ED322184	D LED SLP-152D RED

5. MUTE P.C BOARD BLOCK

(Except JPN Model)

REF. NO.	PARTS NO.	DESCRIPTION
5-TR1	ET316643	TR 2SC536K-NP F,G
5-D1 to 6	ED200469	D SILICON H DS448 FA1 F10
5-D7	ED325080	D ZENER H 05Z9.1 L
5-D8,9	ED200469	D SILICON H DS448 FA1 F10
5-D10	ED200469	D SILICON H DS448 FA1 F10 (L)

6. COUNTER P.C BOARD BLOCK

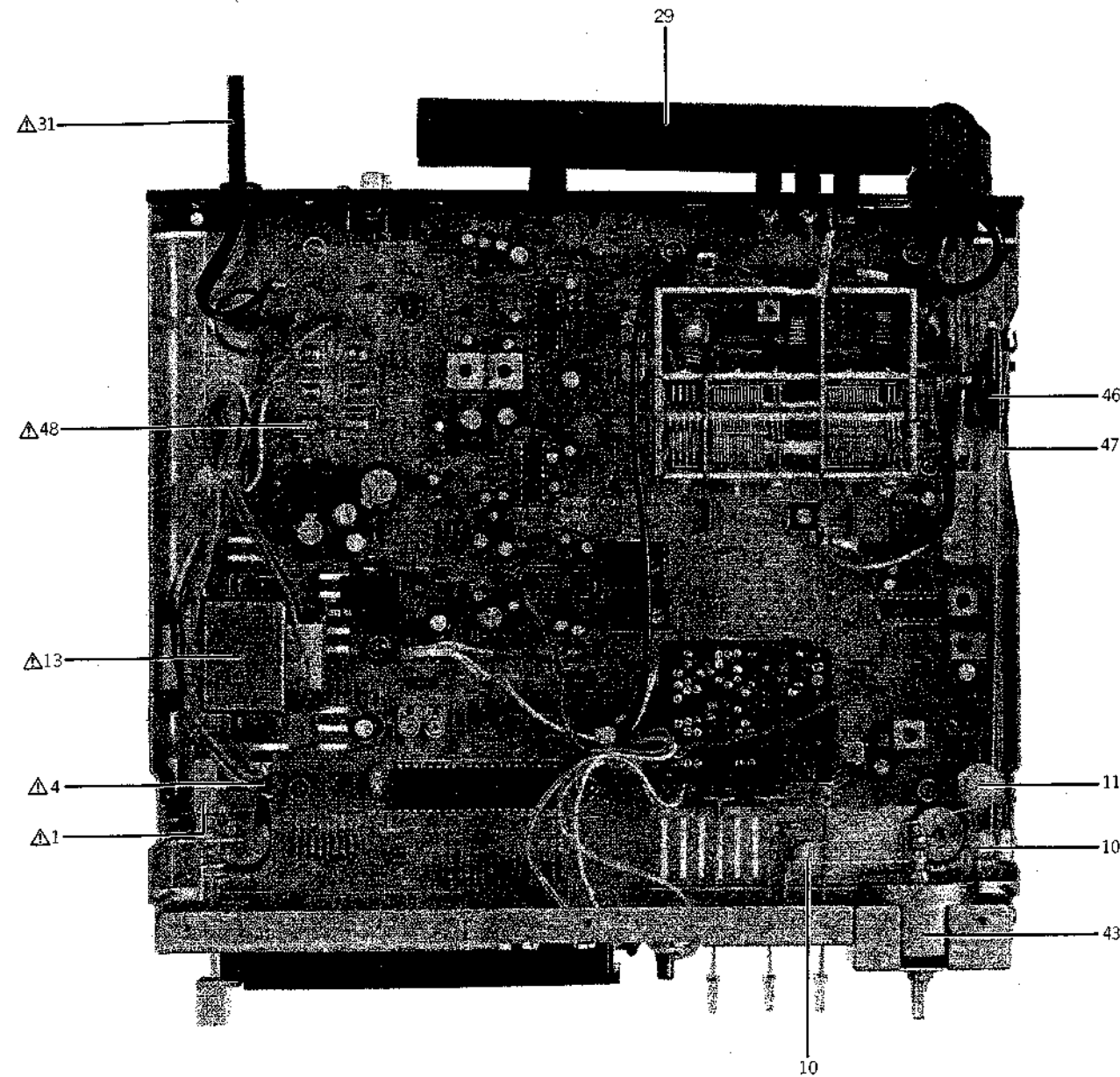
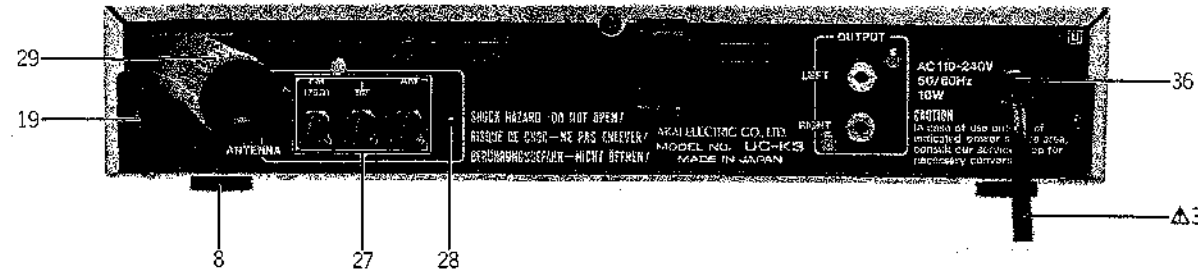
REF. NO.	PARTS NO.	DESCRIPTION
6-IC1	EI328849	IC M54459L
6-IC2	EI328850	IC LC7259
6-TR1	ET618873	TR 2SC930 E, F
6-TR2	ET316171	TR 2SC536K-NP E,F
6-D1,2	ED200469	D SILICON H DS448 FA1 F10
6-D3	ED325080	D ZENER H 05Z9.1 L
6-D4	ED322774	D ZENER H 05Z5.1 U
6-VR1,2	EV315416	R S-FIX H D8 3P 103
6-L1 to 3	EO328137	COIL FIX 2 NI-0036 2.2μH
6-IN1	EM328848	IND LE SL-1713W CHARACTER
6-X1	EI323231	OSC X'TAL 4MHz
6-R35	ER324185	△ R CB H SNP FS RDS 1/4W 221J
6-R38	ER324186	△ R CB H SNP FS RDS 1/4W 681J

7. CAL TONE P.C BOARD BLOCK

(JPN Model Only)

REF. NO.	PARTS NO.	DESCRIPTION
7-TR1 to 3	ET316643	TR 2SC536K-NP F,G
7-D1 to 6	ED200469	D SILICON H DS448 FA1 F10
7-D7	ED325080	D ZENER H 05Z9.1 L
7-D8 to 11	ED200469	D SILICON H DS448 FA1 F10
7-VR1	EV321635	R S-FIX H D8 3P 102

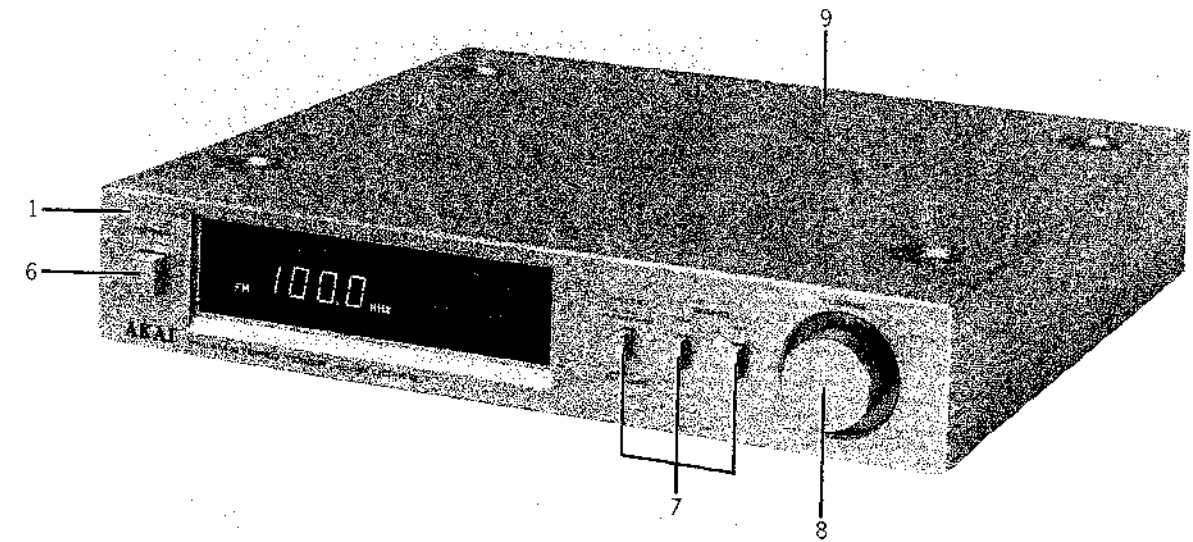
8. ASSEMBLY BLOCK



ASSEMBLY BLOCK

REF. NO.	PARTS NO.	DESCRIPTION
POWER SW BLOCK		
8-1	ES310839	△ SW PUSH SDG1P-E 01-1 E (U/T, CEE, SAA)
8-2x	ES315159	△ SW PUSH SDG1P 01-1 J (JPN)
8-3x	ES665875	△ SW PUSH SDG1P-J 01-1 UC (CSA, AAL)
8-4	EC320548	△ C CEE V F 103Z 250AC (U/T, JPN)
8-5x	EC314688	△ C CEE V FZ 103P 125AC (CSA, AAL)
8-6x	EC327382	△ C MP V 472M 250AC (CEE, SAA)
ASSEMBLY BLOCK		
8-7x	SP320894	COVER BOTTOM
8-8	SA324129	FOOT
8-9x	ZS265814	PAN30X05STL CMT PW080
8-10	MR308836	PULLEY
8-11	MZ307170	PULLEY
8-12x	ZS609120	T2PAN30X06STL CMT
8-13	BT312393	△ TRANS POWER UC-K3T-70 (U/T)
8-14x	BT312344	△ TRANS POWER UC-K3T-10 (JPN)
8-15x	BT312350	△ TRANS POWER UC-K3T-30 (CSA, AAL)
8-16x	BT312391	△ TRANS POWER UC-K3T-40 (CEE)
8-17x	BT312392	△ TRANS POWER UC-K3T-50 (UK, SAA)
8-18x	ZS321298	BID30X08 STL CMT
8-19	SP320042A	PANEL REAR UC-K3 (U)
8-20x	SP320042F	PANEL REAR UC-K3 (J)
8-21x	SP320042B	PANEL REAR UC-K3 (C)
8-22x	SP320042C	PANEL REAR UC-K3 (A)
8-23x	SP320042D	PANEL REAR UC-K3 (E)
8-24x	SP320042E	PANEL REAR UC-K3 (B, S)
8-25x	SP320042G	PANEL REAR UC-K3L(E)
8-26x	SP320042H	PANEL REAR UC-K3L (B, S)
8-27	EI312691	TERMINAL SCREW T5785 P 3P
8-28	ZW231030	RV NYL30X045 BL
8-29	EE312738	ANT BAR UC-K3 MW
8-30x	EE313160	ANT BAR UC-K3L LW
8-31	EW306428	△ AC CORD 2 CORES KP-205A, VFF UCJ (U/T)
8-32x	EW306427	△ AC CORD 2 CORES KP-211, VFF J (JPN)
8-33x	EW305691	△ AC CORD 2 CORES KP-8, SPT-1 UC (CSA, AAL)
8-34x	EW315767	△ AC CORD 2 CORES KP-419C/ KS-15 E (CEE)
8-35x	EW322401	△ AC CORD 2 CORES KP-560/S-15 S (UK, SAA)
8-36	SZ631945	STRAIN RELIEF SR-4N-4
8-37x	ZS308673	T2PAN30X20STL NI3 GUIDE
8-38x	EI301513	△ SOCKET INLET S-16453 E 2P (CEE, UK, SAA)
8-39x	ZS319460	T2BR30X06STL BZN PROJECTION
8-40x	ZS609120	T2PAN30X06STL CMT
8-41x	ZW281463	RV NYL30X065 BL (U/T, JPN, CSA, AAL)
8-42x	SZ313800	RUBBER PLATE
8-43	BF313161	FLYWHEEL ASSY
8-44x	ZW436026	PW92X150X050 STL CMT
8-45x	ZWS54624	E JACK NUT SPCC NI3
8-46	MI313200	DIAL WHEEL ASSY
8-47	TA307160	DIAL STRING TK-1064 D0.5
8-48	EF309389	△ FUSE TSC A 250V 0.40A (U/T) (F1)
8-49x	EF308933	△ FUSE TSC A 250V 0.20A (U/T) (F2,3)
8-50x	EF308848	△ FUSE TSC 125V 0.40A (CSA, AAL) (F1)
8-51x	EF300590	△ FUSE EAWK T 250V 0.40A (CEE, UK, SAA) (F1)
8-52x	ZW305013	RV POP32 (AAL)

9. FINAL ASSEMBLY BLOCK



FINAL ASSEMBLY BLOCK

REF. NO.	PARTS NO.	DESCRIPTION
9-1	BDB320249A	PANEL FRONT UC-K3 PART (U/T, CSA, AAL, CEE, SAA)
9-2x	SPB320249C	PANEL FRONT UC-K3 (CAL TONE) PART (JPN)
9-3x	BDB320249E	PANEL FRONT UC-K3L PART
9-4x	ZS406416	T2CTS30X08STL CMT
9-5x	ZS498273	T2BR30X08STL CMT PW080
9-6	SB324039	BUTTON (B)
9-7	SK313564A	KNOB PUSH (D)
9-8	SK320300A	KNOB TUNING
9-9	SPB602047	COVER UPPER (B) PART
9-10x	ZS609120	T2PAN30X06STL CMT
9-11x	ZS319460	T2BR 30X06STL BZN PROJECTION

1. RECOMMENDED SPARE PARTS

Because, if the parts listed below are on hand, almost any repair can be accomplished, we suggest that you stock these Recommended Spare Parts Items:

REF. NO.	PARTS NO.	DESCRIPTION	NOTES
1-1	BT702197	△ TRANS POWER	(U/T)
1-2	BT702203	△ TRANS POWER	(CSA)
1-3	BT702206	△ TRANS POWER	(CEE)
1-4	BT702209	△ TRANS POWER	(UK, SAA)
1-5	ED702188	D LED LN05202P	
1-6	ED322247	D LED SLP-151D RED	
1-7	ED322215	D LED SLP-251D GRN	
1-8	ED702196	D SILICON BZ090	
1-9	ED702193	D SILICON S2VC10F-X	
1-10	ED702194	D SILICON S2VC10R-X	
1-11	ED702195	D SILICON 1S1555V-TP3	
1-12	EF709931	△ FUSE 0.5A (T)	(CEE, UK, SAA)
1-13	EF702200	△ FUSE 1S-T	(U/T)
1-14	EI307644	IC NJM4556D	
1-15	EI702186	IC NJM4560DX	
1-16	EI702187	IC TA7654P	
1-17	EI702184	IC UPC1188H	
1-18	EJ702198	△ SOCKET OUTLET 2PAS	(U/T, CSA, UK)
1-19	ES702199	△ SW PUSH	(U/T, CEE, UK, SAA)
1-20	ES702204	△ SW PUSH	(CSA)
1-21	ES702173	SW PUSH	
1-22	ES702174	SW PUSH	
1-23	ET308976	TR 2SC1815 BL, GR	
1-24	EV702179	VR16B-200K-X	
1-25	EV702176	VR16C-10K-D	
1-26	EV702177	VR16C-10K-D	

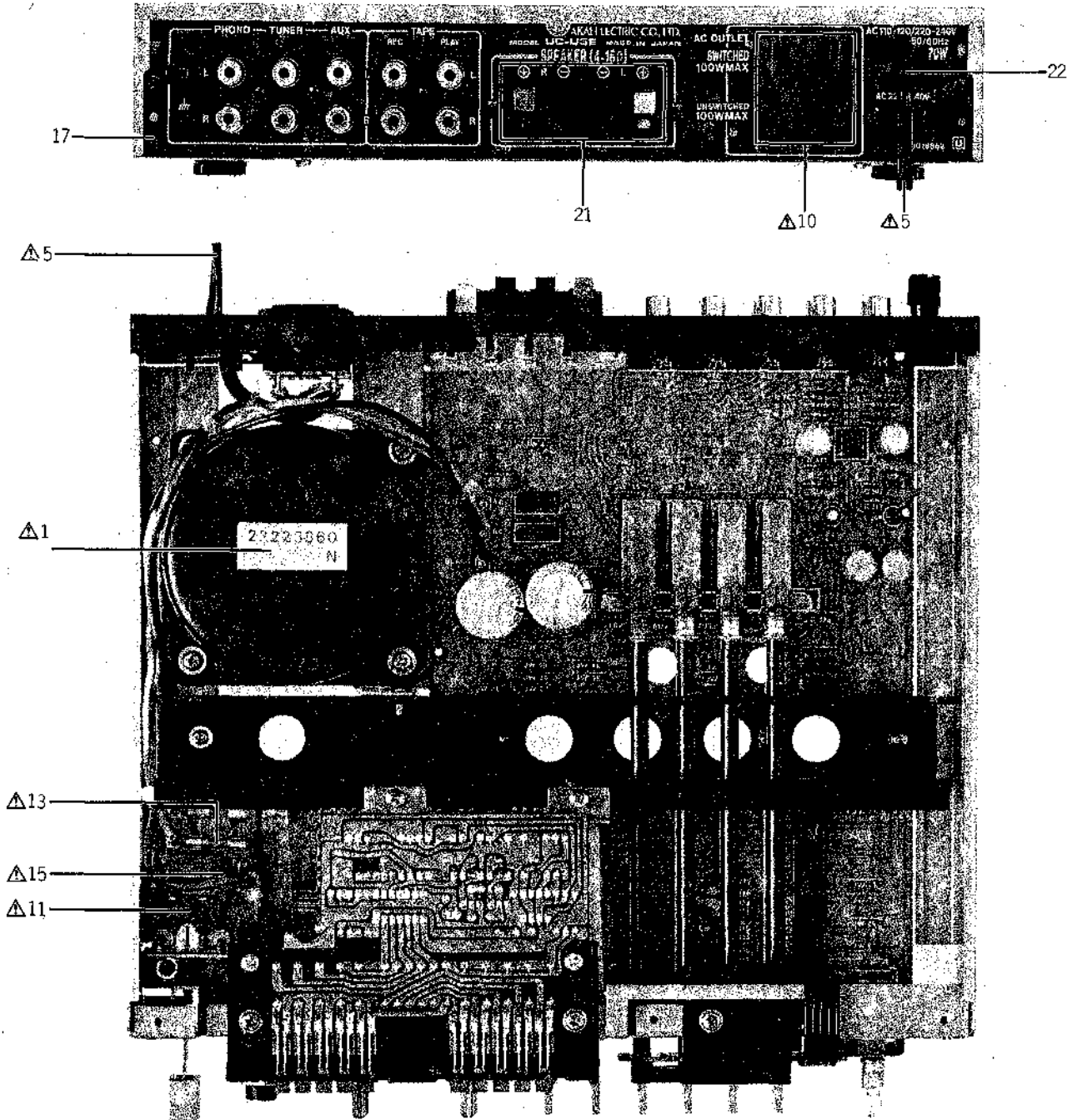
2. AF P.C BOARD BLOCK

REF. NO.	PARTS NO.	DESCRIPTION
2-1	BA702230	AF PC ASSY
2-IC301	EI702186	IC NJM4560DX
2-IC501,502	EI702184	IC UPC1188H
2-TR501	ET308976	TR 2SC1815 BL, GR
2-D001	ED702193	D SILICON S2VC10F-X
2-D002	ED702194	D SILICON S2VC10R-X
2-D003	ED702196	D SILICON BZ090
2-D301	ED322247	D LED SLP-151D RED
2-D302 to 304	ED322215	D LED SLP-251D GRN
2-S4	ES702174	SW PUSH
2-S5	ES702173	SW PUSH
2-VR301	EV702179	VR16B-200K-X
2-VR501	EV702176	VR16C-10K-D
2-VR502	EV702177	VR16C-10K-D
2-J2	EJ702181	TERMINAL 4P
2-J3	EJ702175	JACK 6.5ST
2-J4	EJ702182	JACK US4P
2-J5	EJ702183	JACK US6P
2-R001	ER624756	△ R OMF H FS 2W 331J
2-R521,522	ER658091	△ R OMF H FS 2W 121J
2-R317,318	ER309419	△ R OMF H FS 1W 102J
2-R513,514	ER658124	△ R OMF H FS 1W 100J
2-C003,004	EC303622	C EC V UTA 472 25.0DC
2-C303,304	EC702189	C CE 471-A10MC
2-C309,310	EC702190	C CE 3R3-A25MN
2-C513,514	EC702190	C CE 3R3-A25MN
2-C301,302	EC702192	C MY R47J 50DC
2-C501,502	EC702192	C MY R47J 50DC
2-C511,512	EC702192	C MY R47J 50DC
2-C517,518	EC702192	C MY R47J 50DC

3. METER P.C BOARD BLOCK

REF. NO.	PARTS NO.	DESCRIPTION
3-1	BA702229	METER PC ASSY
3-IC601	EI702187	IC TA7654P
3-IC602	EI307644	IC NJM4556D
3-TR601 to 604	ET308976	TR 2SC1815 BL, GR
3-D601	ED702188	D LED LN05202P
3-D606	ED702188	D LED LN05202P
3-D611,612	ED702195	D SILICON 1S1555V-TP3

4. ASSEMBLY BLOCK

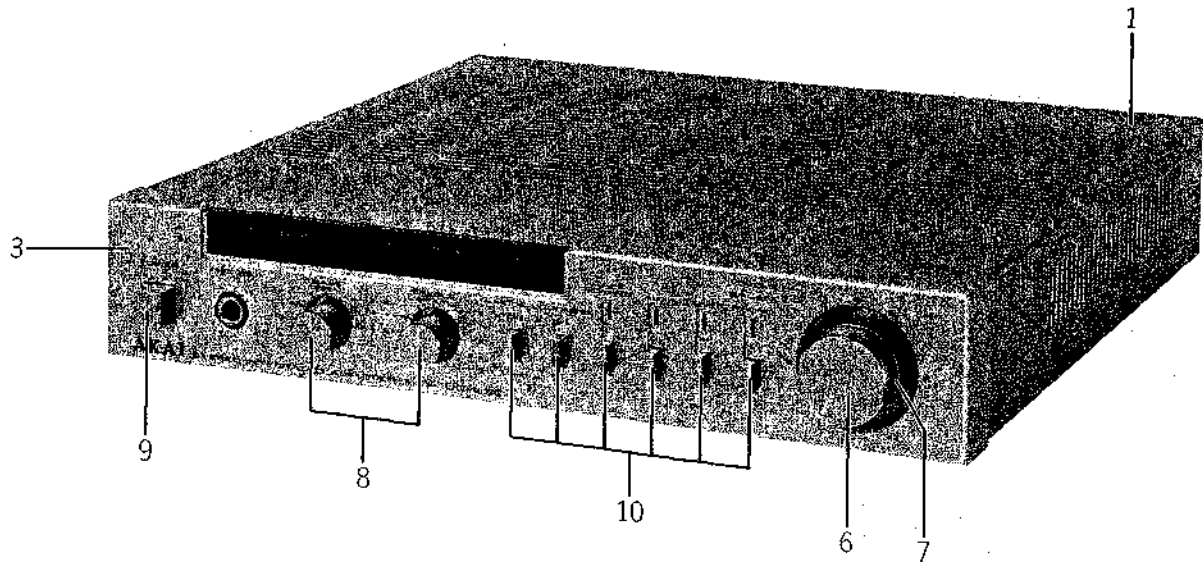


ASSEMBLY BLOCK

REF. NO.	PARTS NO.	DESCRIPTION	REF. NO.	PARTS NO.	DESCRIPTION
4-1	BT702197	△ TRANS POWER (U/T)	4-12x	ES702204	△ SW PUSH (CSA)
4-2x	BT702203	△ TRANS POWER (CSA)	4-13	EF702200	△ FUSE 1S-T (U/T)
4-3x	BT702206	△ TRANS POWER (CEE)	4-14x	EF709931	△ FUSE 0.5A (T) (CEE, UK, SAA)
4-4x	BT702209	△ TRANS POWER (UK, SAA)	4-15	EC702201	△ C CE 103-P400X (U/T, CEE, UK, SAA)
4-5	EW711955	△ AC CORD U/L 2.5M (U/T)	4-16x	EC702205	△ C CE 103-P125XS (CSA)
4-6x	EW702207	△ AC CORD EP (CSA)	4-17	SP702215	PANEL REAR (U/T)
4-7x	EW702208	△ AC CORD E2 (CEE)	4-18x	SP702217	PANEL REAR (CSA)
4-8x	EW702211	△ AC CORD 24/02x2000-0 (UK)	4-19x	SP702219	PANEL REAR (CEE)
4-9x	EW702210	△ AC CORD A2 (SAA)	4-20x	SP702218	PANEL REAR (UK, SAA)
4-10	EJ702198	△ SOCKET OUTLET 2PAS (U/T, CSA, UK)	4-21	EJ702216	TERMINAL S1P
4-11	ES702199	△ SW PUSH (U/T, CEE, UK, SAA)	4-22	EZ702228	CORD CLAMP ASSY

When ordering parts, please quote Parts Number, Description and Model Number.

5. FINAL ASSEMBLY BLOCK



FINAL ASSEMBLY BLOCK

REF. NO.	PARTS NO.	DESCRIPTION
5-1	BC702212	CABINET
5-2x	ZS702231	T2BID30X08 STL N13
5-3	BD702227	PANEL FRONT ASSY
5-4x	SP702214	BOTTOM PLATE
5-5x	SA324129	FOOT
5-6	SK324127	DOUBLE KNOB (UPPER)
5-7	SK705087	VOL. KNOB (LOWER) UC-U2
5-8	SK320467A	KNOB VR (B)
5-9	SB324039	BUTTON (B)
5-10	SK313564A	KNOB PUSH (D)

III. MODEL UC-U3

1. RECOMMENDED SPARE PARTS

Because, if the parts listed below are on hand, almost any repair can be accomplished, we suggest that you stock these

Recommended Spare Parts Items.

REF. NO.	PARTS NO.	DESCRIPTION	NOTES
1-1	BT328769	△ TRANS POWER UC-U3T-70	(U/T)
1-2	BT308119	△ TRANS POWER UC-U3T-10	(JPN)
1-3	BT308135	△ TRANS POWER UC-U3T-20	(AAL)
1-4	BZA2010A030A	REVERB UNIT BLK UC-U4	
1-5	ED322247	D LED SLP-151D RED	
1-6	ED322773	D LED SLP-255D-01 GRN	
1-7	ED200213	D SILICON DBA40C-K15 200/2.6A	
1-8	ED200469	D SILICON H DS448 FA1 F10	
1-9	ED214457	D SILICON H 1S2472	
1-10	ED200468	D SILICON V DS448 VB3	
1-11	ED324912	D SILICON 1D4B41 200/1.0A	
1-12	ED330218	D ZENER H HZ15L 2	
1-13	ED330219	D ZENER H HZ20L 2	
1-14	EF325683	△ FUSE GGS A 125V 5A	(AAL)
1-15	EF311839	△ FUSE TSC A 250V 1.6A	(U/T)
1-16	EF306951	△ FUSE TSC A 250V 2.5A	(U/T, JPN)
1-17	EF326639	△ FUSE TSC A 250V 3.15A	(U/T, JPN)
1-18	EF326613	△ FUSE TSC A 250V 5A	(JPN)
1-19	EF306956	△ FUSE TSC 125V 2.5A	(AAL)
1-20	EF323080	△ FUSE TSC 125V 3.15A	(AAL)
1-21	EI329612	IC LB1409	
1-22	EI201446	IC MS214L	
1-23	EI308138	IC STK-082G-SL	
1-24	EI322588	IC TA7136AP	
1-25	EI200938	IC TA7555S8S	
1-26	EJ330544	PHONE J 3P HLI0315-010 6.3 2T	
1-27	EJ329265	PHONE J 3P HLI0315-040 6.3 2C	
1-28	EJ323143	PIN J T5717-C P 4P	
1-29	EJ323144	PIN J T5718-C P 6P	
1-30	EJ322582	TERMINAL PUSH S-Q2370 S 4P	
1-31	ES315159	△ SW PUSH SDG1P 01-1 J	(JPN)
1-32	ES310839	△ SW PUSH SDG1P-E 01-1 E	(U/T)
1-33	ES665875	△ SW PUSH SDG1P-J 01-1 UC	(AAL)
1-34	ES318595	SW PUSH SUF23 2 THROW	
1-35	ES322407	SW PUSH SUF43 4 THROW	
1-36	ET322778	TR 2SA608K-NP E, F, G	
1-37	ET322598	TR 2SB632K E, F	
1-38	ET293253	TR 2SC1627 O, Y	
1-39	ET307195	TR 2SC2240 GR, BL	
1-40	ET322775	TR 2SC536K-NP E, F, G	
1-41	ET323366	TR 2SD313HP D, E, F	
1-42	ET219857	TR 2SD438 E, F	
1-43	ET310148	TR 2SD612K E, F	
1-44	EV475470	R S-FIX V V8K1-1 3P 103	
1-45	EV322984	VR ROTARY 16P10×1C B503	
1-46	EV325629	VR ROTARY 16P20×1Q C104	
1-47	EV325630	VR ROTARY 16P20×1R C104	
1-48	EV307993	VR ROTARY 16P22×0B 1Z254 3BM254	
1-49	EZ225145	△ SOCKET OUTLET S-16468 UC 2×2P	

2. MAIN AMP (R) P.C BOARD BLOCK

REF. NO.	PARTS NO.	DESCRIPTION
2-1	BAA2011A070A	MAIN AMP (R) PC BLK UC-U3 (J) (U/T,JPN)
2-2	BAA2011A070B	MAIN AMP (R) PC BLK UC-U3 (A) (AAL)
2-TR1	ET322775	TR 2SC536K-NP E,F,G
2-TR2,3	ET322778	TR 2SA608K-NP E,F,G
2-TR4	ET323366	△ TR 2SD313HP D,E,F
2-TR5	ET310148	△ TR 2SD612K E,F
2-TR6	ET322598	△ TR 2SB632K E,F
2-D1	ED214457	D SILICON H 1S2472
2-D2	ED330218	△ D ZENER H HZ15L 2
2-D3,4	ED330219	△ D ZENER H HZ20L 2
2-D5	ED324912	△ D SILICON 1D4B41 200/1.0A
2-L1	EO650823	COIL FIX 2 2.2 μH
2-R3	ER322591	△ R CB H SNP FS RDS 1/4W 101J
2-R5	ER322591	△ R CB H SNP FS RDS 1/4W 101J
2-R7	ER322361	△ R OMF H SNP FS 2W 102J
2-R22	ER322332	△ R CB H SNP FS RDS 1/4W 8R2J
2-R25	ER322332	△ R CB H SNP FS RDS 1/4W 8R2J
2-R28	ER302241	△ R CB H SNP FS RDS 1/4W 4R7J
2-R29	ER321153	△ R OMF H SNP FS 1W 102J
2-R30	ER308875	△ R CB H SNP FS RDS 1/2W 100J
2-C30	EC326583	C MMY V CUT CF921 473K 400DC

3. MAIN AMP (L) P.C BOARD BLOCK

REF. NO.	PARTS NO.	DESCRIPTION
3-1	BAA2011A120A	MAIN AMP (L) PC BLK UC-U3 (J) (U/T,JPN)
3-2	BAA2011A120B	MAIN AMP (L) PC BLK UC-U3 (A) (AAL)
3-TR1	ET322775	TR 2SC536K-NP E,F,G
3-D5,6	ED200469	D SILICON DS448 FA1 F10
3-VR1	EV475470	R S-FIX V V8K1-1 3P 103
3-L1	EO650823	COIL FIX 2 2.2 μH
3-R3	ER322591	△ R CB H SNP FS RDS 1/4W 101J
3-R5	ER322591	△ R CB H SNP FS RDS 1/4W 101J
3-R7	ER322361	△ R OMF H SNP FS 2W 102J
3-R8	ER308875	△ R CB H SNP FS RDS 1/2W 100J
3-C19	EC313534	C EC V F05 NP 04D 100M 16.0DC

4. CONTROL P.C BOARD BLOCK

REF. NO.	PARTS NO.	DESCRIPTION
4-1	BAA2010A040A	CONTROL PC BLK UC-U4
4-IC1	EI322588	IC TA7136AP
4-IC2	EI200938	IC TA75558S
4-IC3	EI200938	IC TA75558S
4-TR1	ET307195	TR 2SC2240 GR,BL
4-TR2	ET293253	TR 2SC1627 O,Y
4-TR3	ET307195	TR 2SC2240 GR,BL
4-J1	EJ330544	PHONE J 3P HLJ0315-010 6.3 2T
4-SW1	ES318595	SW PUSH SUF23 2 THROW
4-VR1	EV307993	VR ROTARY 16P22x0B 1Z254 3BM254
4-VR2	EV325629	VR ROTARY 16P20x1Q C104
4-VR3	EV325630	VR ROTARY 16P20x1R C104
4-VR4,5	EV322984	VR ROTARY 16P10x1C B503
4-R9,10	ER322331	△ R CB H SNP FS RDS 1/4W 821J
4-R28,29	ER323074	△ R CB H SNP FS RDS 1/4W 102J
4-R51	ER323074	△ R CB H SNP FS RDS 1/4W 102J
4-R53	ER323074	△ R CB H SNP FS RDS 1/4W 102J

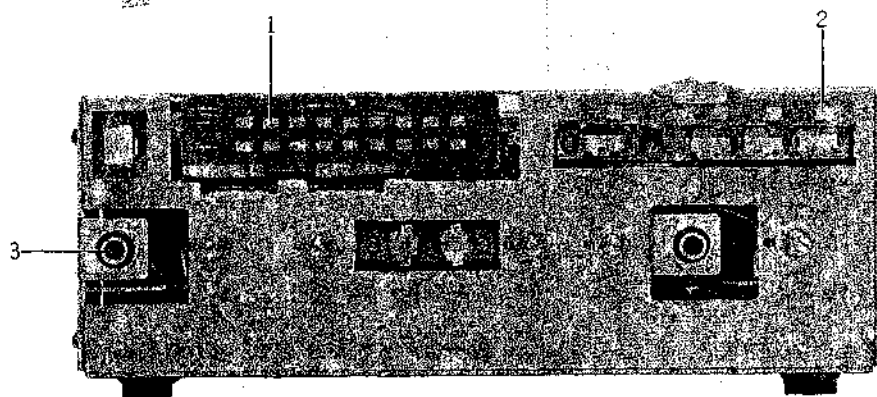
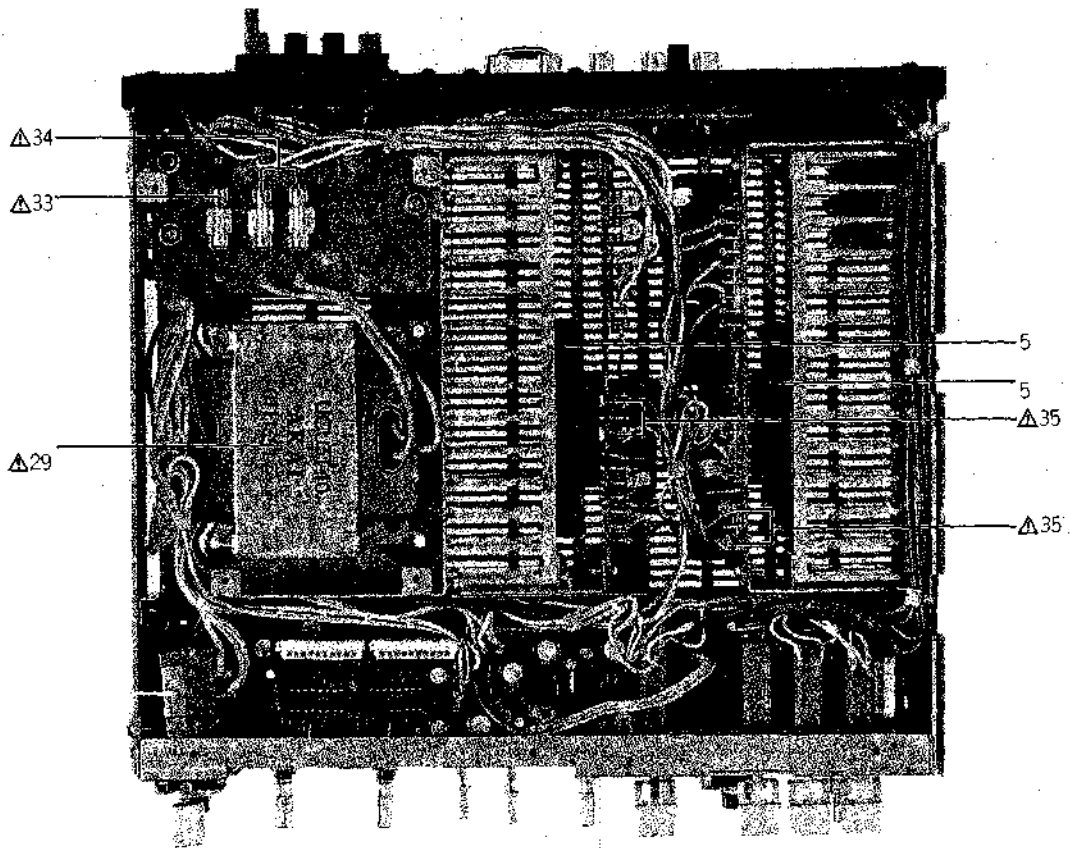
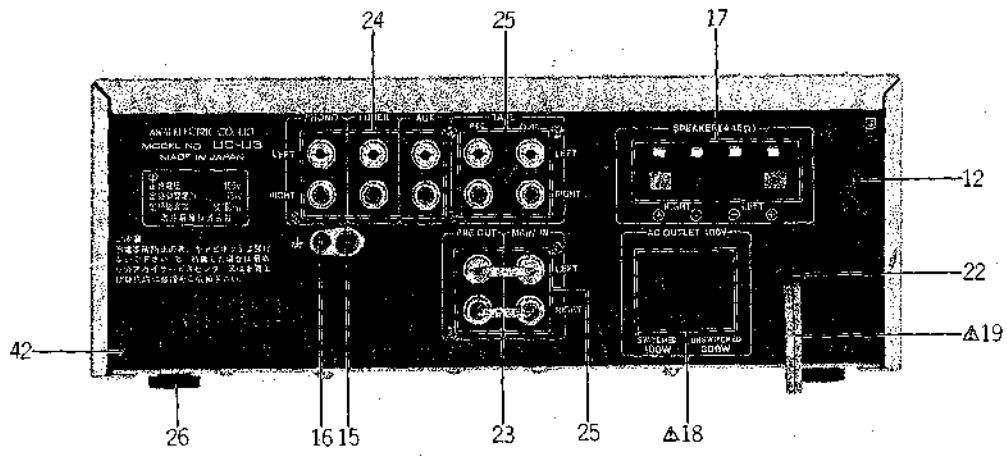
5. FUNCTION P.C BOARD BLOCK

REF. NO.	PARTS NO.	DESCRIPTION
5-1	BAA2011A030A	FUNCTION PC BLK UC-U3
5-IC1	EI201446	IC M5214L
5-IC2	EI329612	IC LB1409
5-TR1	ET219857	TR 2SD438 E,F
5-D1	ED200468	D SILICON V DS448 VB3
5-SW1	ES322407	SW PUSH SUF43 4 THROW
5-R4	ER314664	R MF V 1/4W 1000F
5-R5	ER322362	R MF V 1/4W 4642F
5-R6	ER322363	R MF V 1/4W 3741F
5-R9,10	ER322331	△ R CB H SNP FS RDS 1/4W 821J
5-R31	ER316802	△ R CB H SNP FS RDS 1/4W 471J
5-C6	EC322364	C PP V SNP PS 6972J 50DC
5-C7	EC322377	C PP V SNP PS 2002J 50DC

6. POWER SUPPLY P.C BOARD BLOCK

REF. NO.	PARTS NO.	DESCRIPTION
6-1	BAA2011A040A	POWER PC BLK UC-U3
6-D1	ED200213	△ D SILICON DBA40C-K15 200/2.6A
6-C1	EC322358	C EC V SNP NM 103 35DC
6-C2	EC322358	C EC V SNP NM 103 35DC
6-C3	EC320548	C CE V F 103Z 250AC
6-C4	EC320548	C CE V F 103Z 250AC
6-C5	EC326583	C MMY V CUT CF921 473K 400DC

7. ASSEMBLY BLOCK

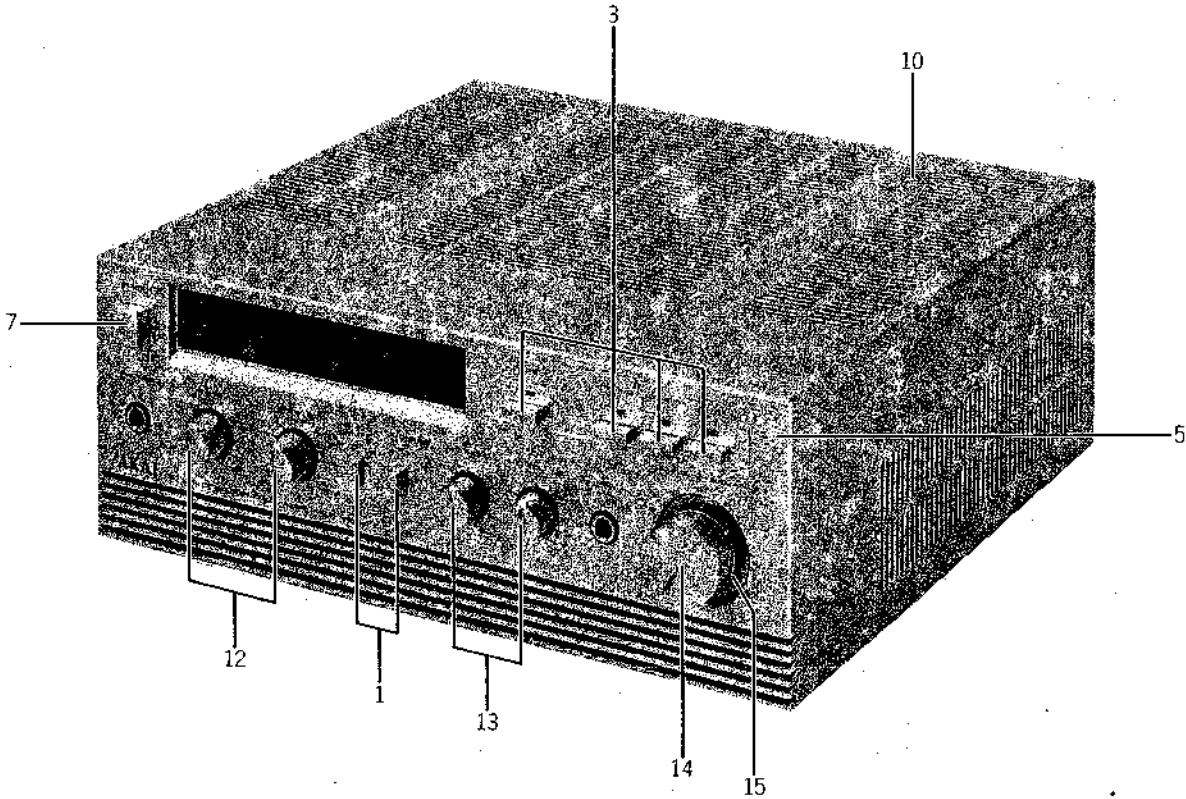


ASSEMBLY BLOCK

REF. NO.	PARTS NO.	DESCRIPTION	REF. NO.	PARTS NO.	DESCRIPTION
	METER PC BLOCK				
7-1	ED322247	D LED SLP-151D RED (D1to9)	7-40x	EF311839	△ FUSE TSC A 250V 1.6A (U/T)(F2,3)
	LED PC BLOCK		7-41x	EF306951	△ FUSE TSC A 250V 2.5A (U/T)(F4to7)
7-2	ED322773	D LED SLP-255D-01 GRN (D1to5)	7-42	ZS319460	T2BR30x06STL BZN PROJECTION
	PHONE J PC BLOCK		7-43x	ZS325495	T2BR30x06STL CMT
7-3	EJ329265	PHONE J 3P HLJ0315-040 6.3 2C	7-44x	ZW305013	RV POP32
7-4x	ER308028	R OMF H SNP FS 1W 181J (R1)			
	HEAT SINK BLOCK				
7-5	EI308138	IC STK-082G-SL			
	POWER SW BLOCK				
7-6	ES315159	△ SW PUSH SDG1P 01-1 J (JPN)			
7-7x	ES665875	△ SW PUSH SDG1P-J 01-1 UC (AAL)			
7-8x	ES310839	△ SW PUSH SDG1P-E 01-1 E (U/T)			
7-9x	EC320548	△ C CE V F 103Z 250AC (U/T, JPN)			
7-10x	EC314688	△ C CE V FZ 103P 125AC (AAL)			
	REVERB UNIT BLOCK				
7-11x	BZA2010A030A	REVERB UNIT BLK UC-U4			
	REAR PANEL BLOCK				
7-12	SP320568G	PANEL REAR UC-U3 (J)			
7-13x	SP320568D	PANEL REAR UC-U3 (A)			
7-14x	SP320568E	PANEL REAR UC-U3 (U)			
7-15	EJ329610	TERMINAL W/SCREW UB-0067 L 1P			
7-16	ZS447761	T2BR30x06STL BNI			
7-17	EJ322582	TERMINAL PUSH S-Q2370 S 4P			
7-18	EZ225145	△ SOCKET OUTLET S-16468 UC 2x2P			
7-19	EW306427	△ AC CORD 2 CORES KP-211, VFF J (JPN)			
7-20x	EW305691	△ AC CORD 2 CORES KP-8, SPT-1 UC (AAL)			
7-21x	EW306428	△ AC CORD 2 CORES KP-205A, VFF UCJ (U/T)			
7-22	SZ631945	STRAIN RELIEF SR-4N-4			
7-23	EJ326185	PLUG SHORT PIN UZ-0036			
	INPUT PC BLOCK				
7-24	EJ323144	PIN J T5718-C P 6P			
7-25	EJ323143	PIN J T5717-C P 4P			
	ASSEMBLY BLOCK				
7-26	SA324129	FOOT			
7-27x	ZW550642	PW31x080x050STL CMT			
7-28x	ZS417216	PAN30x04STL CMT			
7-29	BT308119	△ TRANS POWER UCU3T-10 (JPN)			
7-30x	BT308135	△ TRANS POWER UCU3T-20 (AAL)			
7-31x	BT328769	△ TRANS POWER UC-U3T-70 (U/T)			
7-32x	ZS300519	ST PAN40x08STL CMT			
7-33	EF326639	△ FUSE TSC A 250V 3.15A (JPN)(F1)			
7-34	EF326613	△ FUSE TSC A 250V 5A (JPN)(F2,3)			
7-35	EF306951	△ FUSE TSC A 250V 2.5A (JPN)(F4to7)			
7-36x	EF323080	△ FUSE TSC 125V 3.15A (AAL) (F1)			
7-37x	EF325683	△ FUSE GGS A 125V 5A (AAL) (F2,3)			
7-38x	EF306956	△ FUSE TSC 125V 2.5A (AAL)(F4to7)			
7-39x	EF326639	△ FUSE TSC A 250V 3.15A (U/T)(F1)			

When ordering parts, please quote Parts Number, Description and Model Number.

8. FINAL ASSEMBLY BLOCK



FINAL ASSEMBLY BLOCK

REF. NO.	PARTS NO.	DESCRIPTION
FRONT CHASSIS BLOCK		
8-1	SK313564A	KNOB PUSH (D)
8-2x	TA200757	JOINT
8-3	SK320566A	KNOB PUSH
8-4x	TA320567	LEVER JOINT
FRONT PANEL BLOCK		
8-5	BDB320480B	PANEL FRONT UC-U3 PART
8-6x	SE320481B	ESCUTCHEON FILTER (B)
FINAL ASSEMBLY BLOCK		
8-7	SB324039	BUTTON (B)
8-8x	ZS406416	T2CTS30x08STL CMT
8-9x	ZS447840	T2BR30x08STL CMT
8-10	SPB320569A	COVER UPPER PART
8-11x	ZS609120	T2PAN30x06STL CMT
8-12	SK320646A	KNOB VR (A)
8-13	SK320467A	KNOB VR (B)
8-14	SKB324210	DOUBLE KNOB (UPPER) PART
		UC-F5
8-15	SK320649A	KNOB VR LOWER

When ordering parts, please quote Parts Number, Description and Model Number.

IV. MODEL UC-U4

UC-U4

1. RECOMMENDED SPARE PARTS

Because, if the parts listed below are on hand, almost any repair can be accomplished, we suggest that you stock these Recommended Spare Parts Items.

REF. NO.	PARTS NO.	DESCRIPTION	NOTES
1-1	BT308117	△TRANS POWER UC-U4T-10	(JPN)
1-2	BT308118	△TRANS POWER UC-U4T-20	(AAL)
1-3	BZA2010A030A	REVERB UNIT BLK UC-U4	
1-4	ED322247	D LED SLP-151D RED	
1-5	ED322773	D LED SLP-255D-01 GRN	
1-6	ED200749	D SILICON DBA60-K15 400/6.0A	
1-7	ED200469	D SILICON H DS448 FA1 F10	
1-8	ED214457	D SILICON H 1S2472	
1-9	ED200468	D SILICON V DS448 VB3	
1-10	ED324912	D SILICON 1D4B41 200/1.0A	
1-11	ED330218	D ZENER H HZ15L 2	
1-12	ED330219	D ZENER H HZ20L 2	
1-13	EF325683	△FUSE GGS A 125V 5A	(AAL)
1-14	EF309389	△FUSE TSC A 250V 0.40A	(JPN)
1-15	EF306952	△FUSE TSC A 250V 4A	(JPN)
1-16	EF326613	△FUSE TSC A250V 5A	(JPN)
1-17	EF308848	△FUSE TSC 125V 0.40A	(AAL)
1-18	EF306957	△FUSE TSC 125V 4A	(AAL)
1-19	EI329612	IC LB1409	
1-20	EI201446	IC M5214L	
1-21	EI308137	IC STK-084G-SL	
1-22	EI322588	IC TA7136AP	
1-23	EI323564	IC TA7317P	
1-24	EI200938	IC TA75558S	
1-25	EJ330544	PHONE J 3P HLJ0315-010 6.3 2T	
1-26	EJ329265	PHONE J 3P HLJ0315-040 6.3 2C	
1-27	EJ323143	PIN J T5717-C P 4P	
1-28	EJ323144	PIN J T5718-C P 6P	
1-29	EJ322582	TERMINAL PUSH S-Q2370 S 4P	
1-30	EO650823	COIL FIX 2 2.2μH	
1-31	EP307992	RELAY SIG G4D-212P-200 2NO 24V	
1-32	ER329616	R CT P F09 PLATE 3W R47K	
1-33	ES315159	△SW PUSH SDGIP 01-1 J	(JPN)
1-34	ES679566	△SW PUSH SDG1P001 02 UC	(AAL)
1-35	ES318595	SW PUSH SUF23 2 THROW	
1-36	ES318596	SW PUSH SUF53 5 THROW	
1-37	ET327162	TR FET 2SK117 O	
1-38	ET322353	TR FET 2SK117 Y	
1-39	ET322778	TR 2SA608K-NP E,F,G	
1-40	ET322598	TR 2SB632K E,F	
1-41	ET293253	TR 2SC1627 O,Y	
1-42	ET307195	TR 2SC2240 GR, BL	
1-43	ET322775	TR 2SC536K-NP E, F, G	
1-44	ET323366	TR 2SD313HP D, E, F	
1-45	ET219857	TR 2SD438 E, F	
1-46	ET310148	TR 2SD612K E, F	
1-47	EV475470	R S-FIX V V8K1-1 3P 103	
1-48	EV322984	VR ROTARY 16P10×1C B503	
1-49	EV325629	VR ROTARY 16P20×1Q C104	
1-50	EV325630	VR ROTARY 16P20×1R C104	
1-51	EV307993	VR ROTARY 16P22×0B IZ254 3BM254	
1-52	EZ225145	△SOCKET OUTLET S-I6468 UC 2×2P	

2. MAIN AMP (R) P.C BOARD BLOCK

REF. NO.	PARTS NO.	DESCRIPTION
2-1	BAA2010A100A	MAIN AMP (R) PC BLK UC-U4
2-TR1	ET322775	TR 2SC536K-NP E,F,G
2-TR2	ET323366	△ TR 2SD313HP D,E,F
2-TR3	ET310148	△ TR 2SD612K E,F
2-TR4	ET322598	△ TR 2SB632K E,F
2-D1	ED200469	D SILICON H DS448 FA1 F10
2-D2	ED330218	△ D ZENER H HZ15L 2
2-D3,4	ED330219	△ D ZENER H HZ20L 2
2-D5	ED324912	△ D SILICON 1D4B41 200/1.0A
2-L1	EO650823	COIL FIX 2 2.2μH
2-R3	ER322591	△ R CB H SNP FS RDS 1/4W 101J
2-R5	ER322591	△ R CB H SNP FS RDS 1/4W 101J
2-R7	ER329616	△ R CT P F09 PLATE 3W R47K
2-R10	ER308875	△ R CB H SNP FS RDS 1/2W 100J
2-R14	ER302241	△ R CB H SNP FS RDS 1/4W 4R7J
2-R17	ER322332	△ R CB H SNP FS RDS 1/4W 8R2J
2-R20	ER322332	△ R CB H SNP FS RDS 1/4W 8R2J
2-R21	ER321153	△ R OMF H SNP FS 1W 102J
2-C27	EC326583	C MMY V CUT CF921 473K 400DC

3. MAIN AMP (L) P.C BOARD BLOCK

REF. NO.	PARTS NO.	DESCRIPTION
3-1	BAA2010A150A	MAIN AMP (L) PC BLK UC-U4
3-IC1	EI323564	IC TA7317P
3-TR1	ET322775	TR 2SC536K-NP E,F,G
3-TR2	ET322778	TR 2SA608K-NP E,F,G
3-D1,2	ED200469	D SILICON H DS448 FA1 F10
3-D3	ED214457	D SILICON H 1S2472
3-D4	ED200469	D SILICON H DS448 FA1 F10
3-D5,6	ED200469	D SILICON H DS448 FA1 F10
3-VR1	EV475470	R S-FIX V V8K1-1 3P 103
3-RL1	EP307992	RELAY SIG G4D-212P-200 2NO 24V
3-L1	EO650823	COIL FIX 2 2.2μH
3-R3	ER322591	△ R CB H SNP FS RDS 1/4W 101J
3-R5	ER322591	△ R CB H SNP FS RDS 1/4W 101J
3-R7	ER329616	△ R CT P F09 PLATE 3W R47K
3-R10	ER308875	△ R CB H SNP FS RDS 1/2W 100J
3-R27	ER329070	△ R OMF H SNP FS 2W 181J

4. CONTROL P.C BOARD BLOCK

REF. NO.	PARTS NO.	DESCRIPTION
4-1	BAA2010A040A	CONTROL PC BLK UC-U4
4-IC1	EI322588	IC TA7136AP
4-IC2	EI200938	IC TA75558S
4-IC3	EI200938	IC TA75558S
4-TR1	ET307195	TR 2SC2240 GR,BL
4-TR2	ET293253	TR 2SC1627 O,Y
4-TR3	ET307195	TR 2SC2240 GR,BL
4-J1	EJ330544	PHONE J 3P HLJ0315-010 6.3 2T
4-SW1	ES318595	SW PUSH SUF23 2 THROW
4-VR1	EV307993	VR ROTARY 16P22x0B 1Z254 3BM254
4-VR2	EV325629	VR ROTARY 16P20x1Q C104
4-VR3	EV325630	VR ROTARY 16P20x1R C104
4-VR4,5	EV322984	VR ROTARY 16P10x1C B503
4-R9,10	ER322331	△ R CB H SNP FS RDS 1/4W 821J
4-R28,29	ER323074	△ R CB H SNP FS RDS 1/4W 102J
4-R51	ER323074	△ R CB H SNP FS RDS 1/4W 102J
4-R53	ER323074	△ R CB H SNP FS RDS 1/4W 102J

5. FUNCTION P.C BOARD BLOCK

REF. NO.	PARTS NO.	DESCRIPTION
5-1	BAA2010A050A	FUNCTION PC BLK UC-U4
5-IC1	EI201446	IC M5214L
5-IC2	EI329612	IC LB1409
5-TR1	ET219857	TR 2SD438 E,F
5-D1	ED200468	D SILICON V DS448 VB3
5-SW1	ES318596	SW PUSH SUF53 5 THROW
5-R4	ER314664	R MF V 1/4W 1000F
5-R5	ER322362	R MF V 1/4W 4642F
5-R6	ER322363	R MF V 1/4W 3741F
5-R9,10	ER322331	△ R CB H SNP FS RDS 1/4W 821J
5-R31	ER316802	△ R CB H SNP FS RDS 1/4W 471J
5-C6	EC322364	C PP V SNP PS 6972J 50DC
5-C7	EC322377	C PP V SNP PS 2002J 50DC

6. INPUT P.C BOARD BLOCK

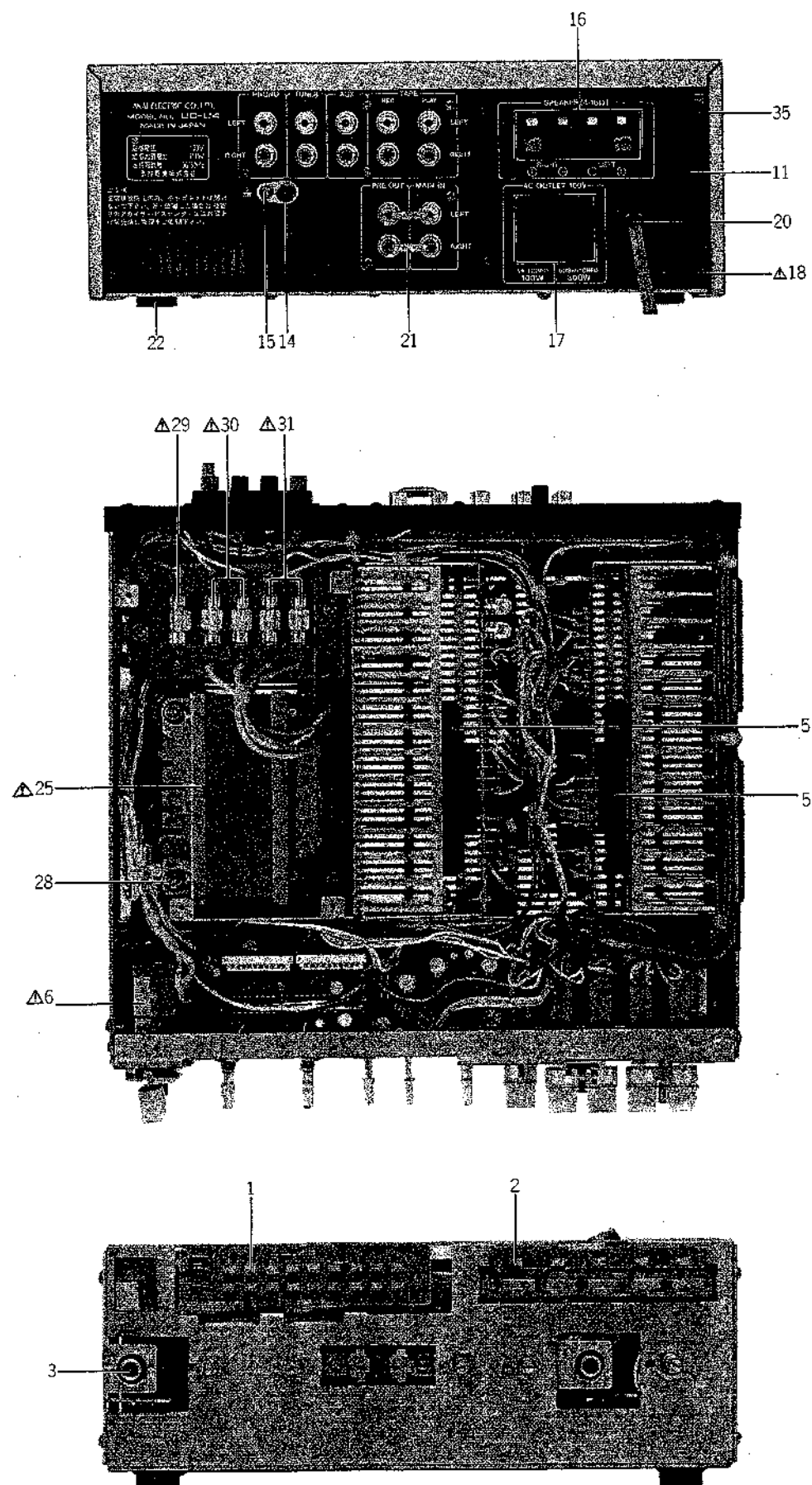
REF. NO.	PARTS NO.	DESCRIPTION
6-TR1	ET327162	TR FET 2SK117O
6-TR2	ET322353	TR FET 2SK117 Y
6-TR3	ET327162	TR FET 2SK117O
6-TR4	ET322775	TR 2SC536K-NP E,F,G
6-J1	EJ323144	PIN J T5718-C P6P
6-J2,3	EJ323143	PIN J T5717-CP4P
6-C7	EC324379	C EC V F05 NP LR 2R2M 50DC

7. POWER SUPPLY P.C BOARD BLOCK

REF. NO.	PARTS NO.	DESCRIPTION
7-1	BAA2010A070A	POWER PC BLK UC-U4
7-D1	ED200749	△ D SILICON DBA60-K15 400/6.0A
7-C1	EC200811	C EC V SNP NM 103 50DC
7-C2	EC200811	C EC V SNP NM 103 50DC
7-C3,4	EC320548	C CE V F 103Z 250AC
7-C5	EC326583	C MMY V CUT CF921 473K 400DC

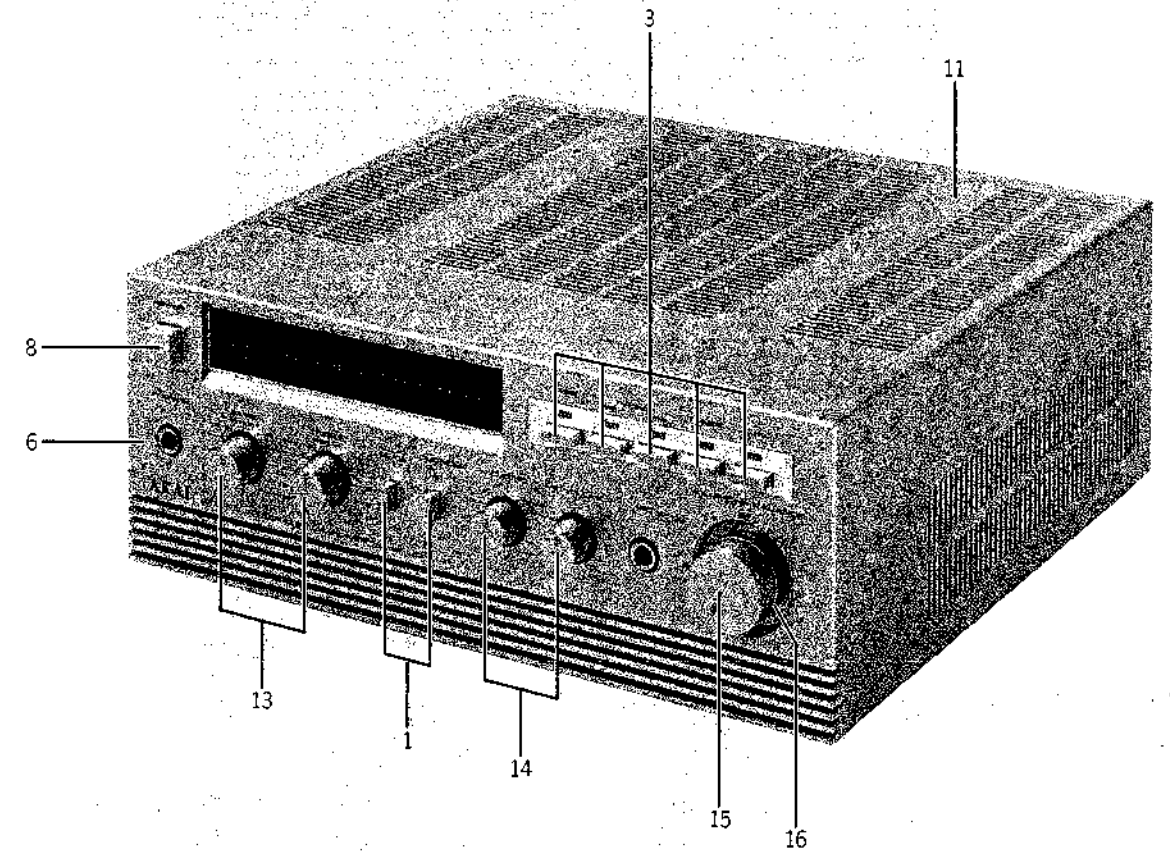
8. ASSEMBLY BLOCK

ASSEMBLY BLOCK



REF. NO.	PARTS NO.	DESCRIPTION
METER PC BLOCK		
8-1	ED322247	D LED SLP-151D RED (D1to9)
LED PC BLOCK		
8-2	ED322773	D LED SLP-255D-01 GRN (D1to5)
PHONE J PC BLOCK		
8-3	EJ329265	PHONE J 3P HLJ0315-040 6.3 2C
8-4x	ER308028	R OMF H SNP FS 1W 181J (R1)
HEAT SINK BLOCK		
8-5	EI308137	IC STK-084G-SL
POWER SW BLOCK		
8-6	ES315159	△ SW PUSH SDG1P 01-1 J (JPN)
8-7x	ES679566	△ SW PUSH SDG1P001 02 UC (AAL)
8-8x	EC320548	△ C CE V F 103Z 250AC (JPN)
8-9x	EC314688	△ C CE V FZ 103P 125AC (AAL)
REVERB UNIT BLOCK		
8-10x	BZA2010A030A	REVERB UNIT BLK UC-U4
REAR PANEL BLOCK		
8-11	SP320568F	PANEL REAR UC-U4 (J)
8-12x	SP320568B	PANEL REAR UC-U4 (A)
8-13x	ZS522865	T2BR30x12STL BN1
8-14	EJ329610	TERMINAL W/SCREW UB-0067 L 1P
8-15	ZS447761	T2BR30x06STL BNI
8-16	EJ322582	TERMINAL PUSH S-Q2370 S 4P
8-17	EZ225145	△ SOCKET OUTLET S-16468 UC 2x2P
8-18	EW306427	△ AC CORD 2 CORES KP-211, VFF J (JPN)
8-19x	EW305691	△ AC CORD 2 CORES KP-8, SPT-1 UC (AAL)
8-20	SZ631945	STRAIN RELIEF SR-4N-4
8-21	EJ326185	PLUG SHORT PIN UZ-0036
ASSEMBLY BLOCK		
8-22	SA324129	FOOT
8-23x	ZW550642	PW31x080x050STL CMT
8-24x	ZS417216	PAN30x04STL CMT
8-25	BT308117	△ TRANS POWER UCU4T-10 (JPN)
8-26x	BT308118	△ TRANS POWER UCU4T-20 (AAL)
8-27x	ZS435273	BID40x10STL CMT
8-28	ZW413267	N FRANGE 40STL CMT
8-29	EF306952	△ FUSE TSC A 250V 4A (JPN)(F1)
8-30	EF326613	△ FUSE TSC A 250V 5A (JPN)(F2,3)
8-31	EF309389	△ FUSE TSC A 250V 0.40A (JPN)(F4,5)
8-32x	EF306957	△ FUSE TSC 125V 4A (AAL)(F1)
8-33x	EF325683	△ FUSE GGS A 125V 5A (AAL)(F2,3)
8-34x	EF308848	△ FUSE TSC 125V 0.40A (AAL)(F4,5)
8-35	ZS319460	T2BR30x06STL BZN PROJECTION
8-36x	ZS325495	T2BR30x06STL CMT
8-37x	ZW305013	RV POP32 (AAL)

9. FINAL ASSEMBLY BLOCK



FINAL ASSEMBLY BLOCK

REF. NO.	PARTS NO.	DESCRIPTION
FRONT CHASSIS BLOCK		
9-1	SK313564A	KNOB PUSH (D)
9-2x	TA200757	JOINT
9-3	SK320566A	KNOB PUSH
9-4x	TA200757	JOINT
9-5x	TA320567	LEVER JOINT
FRONT PANEL BLOCK		
9-6	BDB320480A	PANEL FRONT UC-U4 PART
9-7x	SE320481A	ESCUTCHEON FILTER (A)
FINAL ASSEMBLY BLOCK		
9-8	SB324039	BUTTON (B)
9-9x	ZS406416	T2CTS30x08STL CMT
9-10x	ZS447840	T2BR30x08STL CMT
9-11	SPB320569A	COVER UPPER PART
9-12x	ZS609120	T2PAN30x06STL CMT
9-13	SK320646A	KNOB VR (A)
9-14	SK320467A	KNOB VR (B)
9-15	SKB324210	DOUBLE KNOB (UPPER) PART
		UC-F5
9-16	SK320649A	KNOB VR LOWER

When ordering parts, please quote Parts Number, Description and Model Number.

1. RECOMMENDED SPARE PARTS

Because, if the parts listed below are on hand, almost any repair can be accomplished, we suggest that you stock these Recommended Spare Parts Items.

REF. NO.	PARTS NO.	DESCRIPTION	NOTES	REF. NO.	PARTS NO.	DESCRIPTION	NOTES
1-1	BH702453	HEAD BRACKET ASSY		1-61	EV703279	R S-FIX 503	
1-2	BM702452	MOTOR		1-62	EV702352	VR ROTARY 16 A503-W	
1-3	BR702285	SUPPLY REEL TABLE ASSY		1-63	EZ742142	SENSOR DM101A	
1-4	BR702287	TAKE UP REEL TABLE ASSY		1-64	HE702302	HEAD E	
1-5	BT702249	△ TRANS POWER	(U/T)	1-65	HR702301	HEAD R/P	
1-6	BT702250	△ TRANS POWER	(JPN)	1-66	MB702269	BELT	
1-7	BT702251	△ TRANS POWER	(CSA, AAL)	1-67	MB702319	BELT CAPSTAN	
1-8	BT702252	△ TRANS POWER	(CEE)	1-68	MB702331	BELT COUNTER	
1-9	BT702253	△ TRANS POWER	(UK, SAA)	1-69	MB702320	BELT FWD	
1-10	BZ702294	PULLEY ASSY		1-70	MC702267	COUNTER	
1-11	ED702704	D GERMA MPX-B		1-71	MI702316	FLYWHEEL	
1-12	ED322247	D LED SLP-151D RED		1-72	MI702288	IDLER	
1-13	ED322215	D LED SLP-251D GRN		1-73	ML702305	ROLLER ASSY	
1-14	ED702247	D LED SLP-451D YLW		1-74	MV702279	MAIN CASE	
1-15	ED742019	D SILICON S5277B					
1-16	ED740049	D SILICON W02					
1-17	ED702236	D SILICON 1S1553V					
1-18	ED741904	D SILICON 1S1555V					
1-19	ED702195	D SILICON 1S1555V-TP3					
1-20	ED327098	D ZENER H WZ-061					
1-21	ED702244	D ZENER WZ105					
1-22	EF702260	△ FUSE 0.20A (T)	(UK)				
1-23	EI702237	IC LM1111CN					
1-24	EI307644	IC NJM4556D					
1-25	EI702239	IC NJM4558DX					
1-26	EI702186	IC NJM4560DX					
1-27	EI701058	IC TA7137P					
1-28	EI701059	IC TA7612AP					
1-29	EI702245	IC TC9121P					
1-30	EL702329	PL CORD 12.0V 60MA					
1-31	EP702334	SOLENOID					
1-32	EP702312	SOLENOID (A)					
1-33	ER702238	FILTER LC					
1-34	ER200972	R FUSE ERD2FC 1/4W 33R0G					
1-35	ER318647	R FUSE ERD2FC 1/4W 4R7J					
1-36	ER702368	R FUSE 1/4W 2R2J					
1-37	ER701106	R FUSE 1/4W 330J					
1-38	ER702369	R FUSE 1/4W 820J					
1-39	ES702254	△ SW PUSH	(U/T, JPN)				
1-40	ES702256	△ SW PUSH	(CEE, SAA)				
1-41	ES702258	△ SW PUSH	(CSA, AAL)				
1-42	ES702259	△ SW PUSH	(UK)				
1-43	ES702311	SW LEAF					
1-44	ES702185	SW LEVER					
1-45	ES702232	SW PUSH					
1-46	ES702248	SW PUSH					
1-47	ES702233	SW SLIDE					
1-48	ES702255	SW SLIDE					
1-49	ET308867	TR 2SA1015 O, Y GR					
1-50	ET741903	TR 2SA1015-GR					
1-51	ET328861	TR 2SA562TM O, Y					
1-52	ET702243	TR 2SA950 O					
1-53	ET306720	TR 2SA966 O, Y					
1-54	ET293253	TR 2SC1627 O, Y					
1-55	ET308980	TR 2SC1815 GR					
1-56	ET306719	TR 2SC2236 O, Y					
1-57	ET319636	TR 2SC2240 BL					
1-58	ET702234	TR 2SK246 GR					
1-59	EV741979	R S-FIX 104					
1-60	EV741908	R S-FIX 204					

2. AF P.C BOARD BLOCK

REF. NO.	PARTS NO.	DESCRIPTION
2-1	BA702454	AF PC ASSY (U/T,JPN,UK,SA)
2-2	BA702455	AF PC ASSY (CSA,CEE)
AF (A) P.C BOARD BLOCK		
2-IC303,304	EI702237	IC LM1111CN
2-IC305	EI307644	IC NJM4556D
2-IC601	EI702245	IC TC9121P
2-TR001	ET306720	TR 2SA966 O,Y
2-TR002	ET702243	TR 2SA950 O
2-TR003	ET308980	TR 2SC1815 GR
2-TR004	ET306719	TR 2SC2236 O,Y
2-TR005	ET741903	TR 2SA1015-GR
2-TR006	ET308980	TR 2SC1815 GR
2-TR311,312	ET308980	TR 2SC1815 GR
2-TR313to316	ET702234	TR 2SK246 GR
2-TR317,318	ET308980	TR 2SC1815 GR
2-TR321,322	ET319636	TR 2SC2240 BL
2-TR605	ET293253	TR 2SC1627 O,Y
2-TR606	ET308867	TR 2SA1015 O,Y GR
2-TR607	ET293253	TR 2SC1627 O,Y
2-TR608	ET308867	TR 2SA1015 O,Y GR
2-TR610	ET741903	TR 2SA1015-GR
2-TR611	ET308980	TR 2SC1815 GR
2-TR612	ET741903	TR 2SA1015-GR
2-TR613	ET308980	TR 2SC1815 GR
2-TR614,615	ET741903	TR 2SA1015-GR
2-TR616	ET308980	TR 2SC1815 GR
2-TR620	ET308867	TR 2SA1015 O,Y GR
2-TR621	ET308980	TR 2SC1815 GR
2-TR622	ET293253	TR 2SC1627 O,Y
2-TR623	ET308980	TR 2SC1815 GR
2-TR902	ET308867	TR 2SA1015 O,Y GR
2-TR904	ET308867	TR 2SA1015 O,Y GR
2-TR905	ET308980	TR 2SC1815 GR
2-TR950	ET306719	TR 2SC2236 O,Y
2-D001	ED740049	D SILICON W02
2-D002,003	ED702244	D ZENER WZ105
2-D004	ED741904	D SILICON 1S 1555V
2-D005	ED702244	D ZENER WZ105
2-D006	ED702195	D SILICON 1S1555V-TP3
2-D008	ED742019	D SILICON S5277B
2-D308to312	ED702195	D SILICON 1S1555V-TP3
2-D314	ED702195	D SILICON 1S1555V-TP3
2-D601	ED327098	D ZENER H WZ-061
2-D603	ED327098	D ZENER H WZ-061
2-D604	ED742019	D SILICON S5277B
2-D605	ED702195	D SILICON 1S1555V-TP3
2-D606	ED742019	D SILICON S5277B
2-D607to614	ED702195	D SILICON 1S1555V-TP3
2-D615	ED327098	D ZENER H WZ-061
2-D617to621	ED702195	D SILICON 1S1555V-TP3
2-D622	ED327098	D ZENER H WZ-061
2-D631	ED702195	D SILICON 1S1555V-TP3
2-D904to906	ED702195	D SILICON 1S1555V-TP3
2-J1,2	EJ702133	J 6.5
2-J3to6	EJ702182	JACK US4P
2-S1,2	ES702185	SW LEVER
2-LC301,302	ER702238	FILTER LC
2-L301,302	EO702240	COIL CHOKE AF 4.70μH
2-L901	EO702242	COIL OSC
2-R002	ER702368	△ R FUSE 1/4W 2R2J
2-R003	ER701107	△ R OMF 1W 151J
2-R004	ER330408	△ R OMF H 2W 121K
2-R005	ER366030	△ R OMF H 1W 100J
2-R015	ER702368	△ R FUSE 1/4W 2R2J
2-R017	ER702369	△ R FUSE 1/4W 820J
2-R317,318	ER478811	R OMF H 2W 820J
2-R950	ER318647	△ R FUSE ERD2FC 1/4W 4R7J
2-C002,003	EC324662	C EC V CUT SM 222M 25DC
2-C950	EC702367	C STY 123J 100DC
2-C956	EC702370	C STY 122J 100DC

3. AF (B) P.C BOARD BLOCK

REF. NO.	PARTS NO.	DESCRIPTION
3-IC301	EI702186	IC NJM4560DX
3-IC302	EI702239	IC NJM4558DX
3-IC901	EI701058	IC TA7137P
3-TR301,302	ET702234	TR 2SK246 GR
3-TR303,304	ET319636	TR 2SC2240 BL
3-TR305to310	ET702234	TR 2SK246 GR
3-TR319,320	ET308980	TR 2SC1815 GR
3-TR323	ET741903	TR 2SA1015-GR
3-TR901	ET308980	TR 2SC1815 GR
3-TR903	ET308980	TR 2SC1815 GR
3-D301,302	ED702236	D SILICON 1S1553V
3-D303to306	ED702195	D SILICON 1S1555V-TP3
3-D307	ED702236	D SILICON 1S1553V
3-D313	ED702195	D SILICON 1S1555V-TP3
3-D901,902	ED702195	D SILICON 1S1555V-TP3
3-D903	ED327098	D ZENER H WZ-061
3-VR301	EV702352	VR ROTARY 16 A503-W
3-SVR301,302	EV703279	R S-FIX 503
3-SVR303,304	EV741979	R S-FIX 104
3-SVR951,952	EV741908	R S-FIX 204
3-L303,304	EO702241	COIL CHOKE AF 47.00μH
3-R903	ER200972	△ R FUSE ERD2FC 1/4W 33R0G

4. METER P.C BOARD BLOCK

REF. NO.	PARTS NO.	DESCRIPTION
4-IC701	EI701059	IC TA7612AF
4-TR601to603	ET308980	TR 2SC1815 GR
4-TR604	ET308867	TR 2SA1015 O,Y GR
4-TR701to705	ET308980	TR 2SC1815 GR
4-TR706to708	ET330225	TR 2SC1815 BL
4-TR709,710	ET328861	TR 2SA562TM O,Y
4-TR711	ET308980	TR 2SC1815 GR
4-D701to706	ED702195	D SILICON 1S1555V-TP3
4-D707,708	ED702704	D GERMA MPX-B
4-SVR701	EV703279	R S-FIX 503
4-R001	ER701106	△ R FUSE 1/4W 330J
4-R714	ER558213	R OMF H 1W 181J

5. KEY P.C BOARD BLOCK

REF. NO.	PARTS NO.	DESCRIPTION
5-D628	ED322247	D LED SLP-151D RED
5-D629	ED322215	D LED SLP-251D GRN
5-D630	ED702247	D LED SLP-451D YLW
5-S5to11	ES702248	SW PUSH

6. SW (A) P.C BOARD BLOCK

REF. NO.	PARTS NO.	DESCRIPTION
6-S4	ES702232	SW PUSH

7. SW (B) P.C BOARD BLOCK

REF. NO.	PARTS NO.	DESCRIPTION
7-S3	ES702233	SW SLIDE

8. PHONE P.C BOARD BLOCK

REF. NO.	PARTS NO.	DESCRIPTION
8-J7	EJ702159	J 6.5-ST

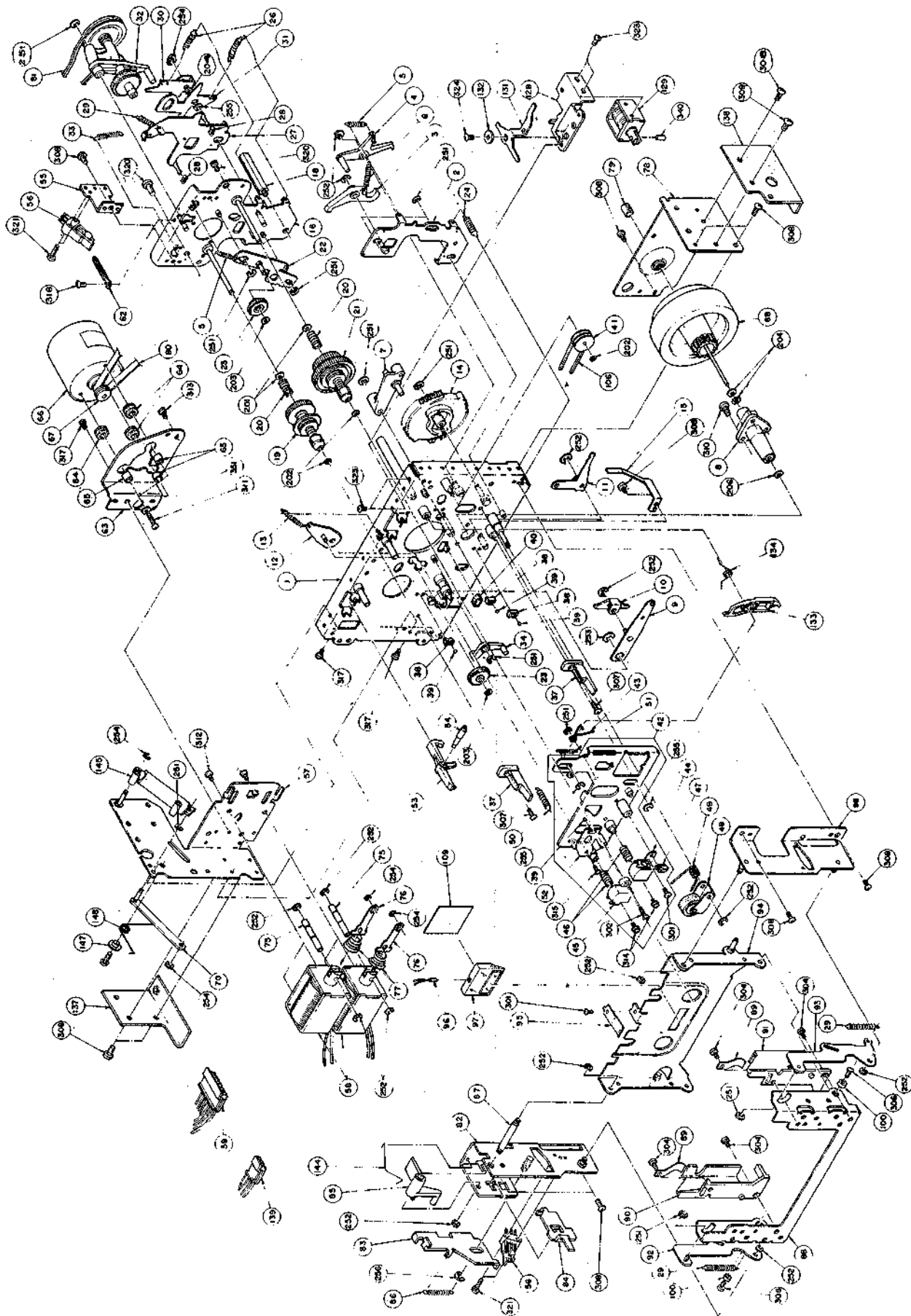
9. SENSOR P.C BOARD BLOCK

REF. NO.	PARTS NO.	DESCRIPTION
9-EL601	EZ742142	SENSOR DM101A

10. POWER P.C BOARD BLOCK

REF. NO.	PARTS NO.	DESCRIPTION
10-S14	ES702254	△ SW PUSH (U/T,JPN)
10-S14	ES702258	△ SW PUSH (CSA,AAL)
10-S14	ES702256	△ SW PUSH (CEE,SAA)
10-S14	ES702259	△ SW PUSH (UK)
10-C001	EC702201	△ C CE 103-P400X (U/T,CEE,UK,SAA)
10-C001	EC702422	△ C CE X 103Z 250DC (JPN)
10-C001	EC702205	△ C CE 103-P125XS (CSA,AAL)
10-F001	EF702260	△ FUSE 0.20A (T) (UK)

11. MECHA ASSEMBLY BLOCK

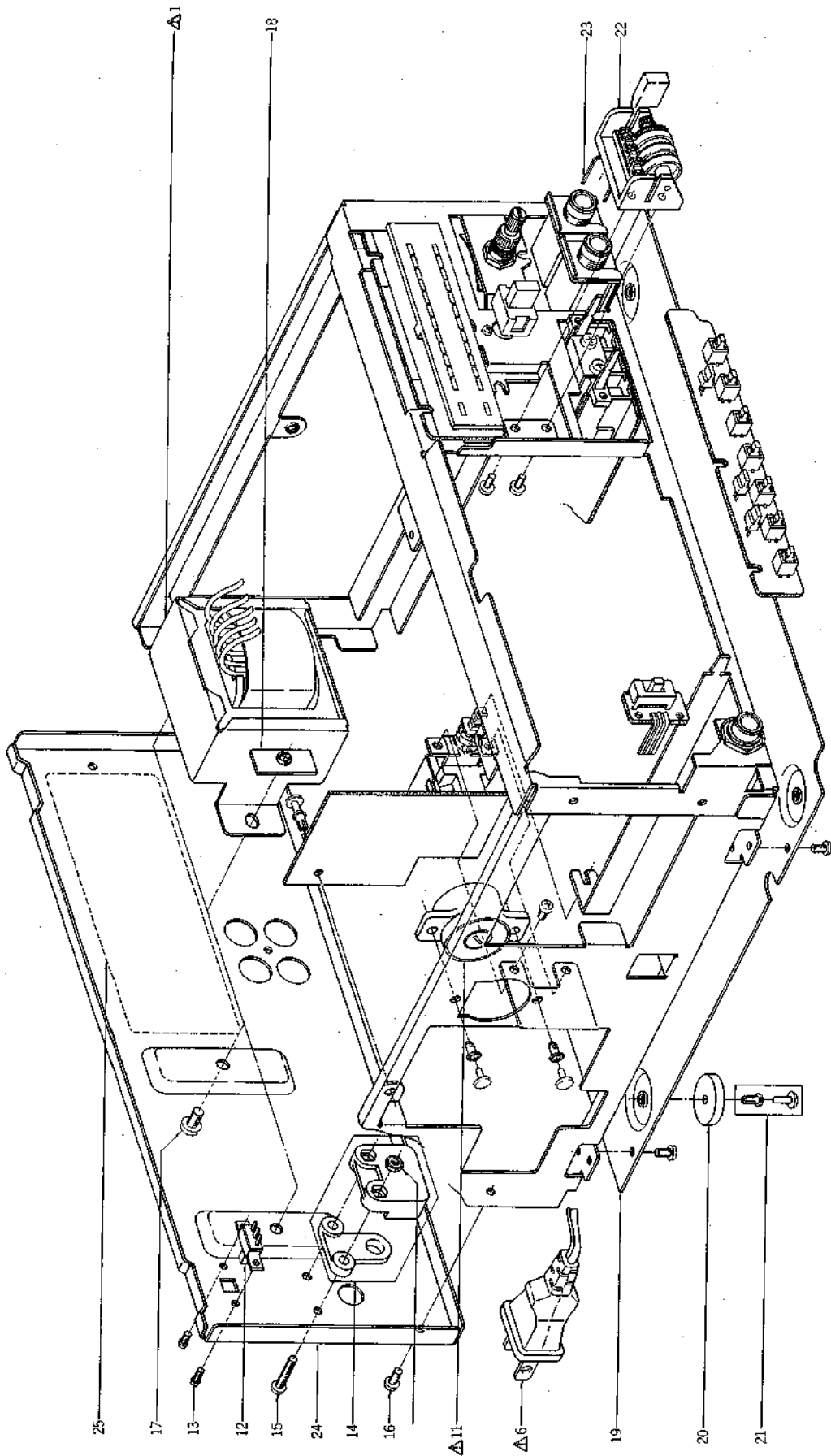


MECHA ASSEMBLY BLOCK

REF. NO.	PARTS NO.	DESCRIPTION	REF. NO.	PARTS NO.	DESCRIPTION
11-4	ML702276	LEVER STOPPER	11-256	ZW270101	RING E300SUP CMT
11-5	ZG702277	SP PULL	11-301	ZS460440	PAN20x04STL CMT
11-6	ZG702278	SP PULL	11-302	ZS608106	PAN20x06STL CMT
11-8	MV702279	MAIN CASE	11-304	ZS608477	PAN30x04STL BNI
11-13	ZG702280	SP PULL	11-314	ZS608106	PAN20x06STL CMT
11-14	MZ702282	GEAR			
11-15	ZG702283	SP PLATE			
11-16	TC702284	CHASSIS SUB ASSY			
11-19	BR702285	SUPPLY REEL TABLE ASSY			
11-20	ZG702286	SP PUSH			
11-21	BR702287	TAKE UP REEL TABLE ASSY			
11-23	MI702288	IDLER			
11-24	ZG702289	SP PULL			
11-26	ZG702290	SP PULL			
11-28	MZ702291	CUSHION BRAKE			
11-29	ZG702293	SP PULL			
11-32	BZ702294	PULLEY ASSY			
11-33	ZG702295	SP PULL			
11-37	TC702296	HOLDER CASSETTE			
11-38	TC702297	HOLDER BALL			
11-39	MV357208	STEEL BALL D2			
11-40	MB702298	RUBBER BUSH			
11-41	MR702299	PULLEY W			
11-42	BH702453	HEAD BRACKET ASSY			
11-43	ZG702300	SP TORSION			
11-44	HR702301	HEAD R/P			
11-45	HE702302	HEAD E			
11-46	ZG702304	SP PUSH			
11-48	ML702305	ROLLER ASSY			
11-49	ZG702306	SP TORSION			
11-50	ZG702307	SP PULL			
11-51	ZG702308	SP PULL			
11-52	ZG702309	SP PLATE			
11-53	ML702310	LEVER REC SAFETY			
11-56	ES702311	SW LEAF			
11-58	EP702312	△ SOLENOID (A)			
11-64	MB702313	CUSHION			
11-65	MH702315	COLLAR MOTOR			
11-66	MB702452	△ MOTOR (INCLUDED 67)			
11-68	MI702316	FLYWHEEL			
11-77	ZG702317	SP PUSH			
11-79	ZS702318	HOLD SCREW			
11-80	MB702319	BELT CAPSTAN			
11-81	MB702320	BELT FWD			
11-85	ML702321	LEVER EJECT			
11-86	ZG702322	SP PULL			
11-89	ZG702323	SP PLATE			
11-90	TC702324	CASSETTE POCKET (L)			
11-91	TC702326	CASSETTE POCKET (R)			
11-94	BZ702327	LID HOUSING ASSY			
11-95	ZG702328	SP PLATE			
11-96	EL702329	PL CORD 12.0V 60MA			
11-97	TC702330	LAMP WINDOW			
11-106	MB702331	BELT COUNTER			
11-109	TC702332	SEAL LAMP			
11-116	ZW702333	SPACER HEAD			
11-129	EP702334	△ SOLENOID			
11-132	ZW702335	COLLAR UP LEVER			
11-134	ZG702337	SP TORSION			
11-144	ZG702338	SP TORSION			
11-145	TC702339	AIR DAMPER ASSY			
11-147	ZW702340	COLLAR DAMPER			
11-148	ZG702341	SP TORSION			
11-201	ZW313827	PW36x070x025PSL			
11-202	ZW364342	PW17x032x025PSL			
11-203	ZW305546	PW21x040x025PSL			
11-204	ZW329448	PW26x045x013PSL			
11-206	ZS200615	PW26x060x030NYL			
11-251	ZW410051	RING E 250SUP CMT			
11-252	ZW329299	RING E 200SUP CMT			
11-253	ZW270123	RING E400SUP CMT			
11-254	ZW356657	RING E 150SUP CMT			
11-255	ZW270101	RING E300SUP CMT			

When ordering parts, please quote Parts Number, Description and Model Number.

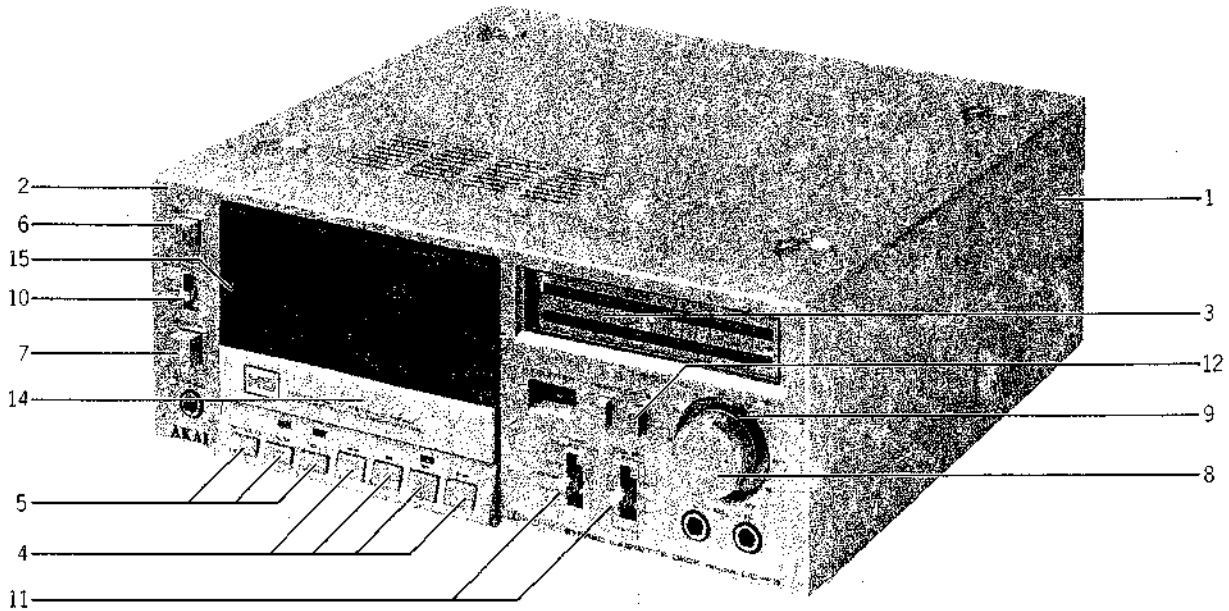
12. ASSEMBLY BLOCK



ASSEMBLY BLOCK

REF. NO.	PARTS NO.	DESCRIPTION
12-1	BT702249	△ TRANS POWER (U/T)
12-2x	BT702250	△ TRANS POWER (JPN)
12-3x	BT702251	△ TRANS POWER (CSA, AAL)
12-4x	BT702252	△ TRANS POWER (CEE)
12-5x	BT702253	△ TRANS POWER (UK,SAA)
12-6	EW702207	△ AC CORD EP (U/T,CSA,AAL)
12-7x	EW704798	△ POWER CORD. AT-K02J (JPN)
12-8x	EW702208	△ AC CORD E2 (CEE)
12-9x	EW702211	△ AC CORD 24/02x2000-0 (UK)
12-10x	EW702210	△ AC CORD A2 (SAA)
12-11	ES741998	△ SW SLIDE AC3750 (U/T)
12-12	ES702255	SW SLIDE
12-13	ZS390971	BID20x04STL BNI
12-14	EZ702228	CORD CLAMP ASSY
12-15	EZ553173	BID30x15STL BNI
12-16	ZW273835	N30BRS NI3 1
12-17	ZS537006	BID40x08STL BNI
12-18	ZW413188	N40STL CMT 1
12-19	SP702264	COVER BOTTOM
12-20	SA324129	FOOT
12-21	ZS702265	RV SPECIAL
12-22	MC702267	COUNTER
12-23	MB702269	BELT
12-24	SP702266	PANEL REAR
12-25	SM702343	LABEL MAIN (U/T)
12-26x	SM702344	LABEL MAIN (JPN)
12-27x	SM702346	LABEL MAIN (CSA,AAL)
12-28x	SM702348	LABEL MAIN (CEE)
12-29x	SM702345	LABEL MAIN (UK,SAA)

13. FINAL ASSEMBLY BLOCK



FINAL ASSEMBLY BLOCK

REF. NO.	PARTS NO.	DESCRIPTION
13-1	SP702263	COVER UPPER
13-2	BD702456	PANEL FRONT ASSY
13-3	BD702457	PLATE LED ASSY
13-4	SK-702261	KNOB PUSH
13-5	SK702262	KNOB PUSH
13-6	SB316316	BUTTON (B)
13-7	SB324039	BUTTON (B)
13-8	SK702271	KNOB VR-L
13-9	SK702272	KNOB VR-R
13-10	SK702273	KNOB SLIDE
13-11	SK702274	KNOB LEVER
13-12	SK702458	BUTTON PUSH ASSY
13-13x	SZ702275	COVER CASSETTE
13-14	BD702459	PANEL ASSY
13-15	ZS702342	SPECIAL SCREW

When ordering parts, please quote Parts Number, Description and Model Number.

INDEX

1. MODEL UC-K3/J/L

Parts No.	Ref.No. & Symbol No.	Parts No.	Ref.No. & Symbol No.	Parts No.	Ref.No. & Symbol No.	Parts No.	Ref.No. & Symbol No.	Parts No.	Ref.No. & Symbol No.
BAA3014A030A	2-1	ED200469	5-D1 to 6	EI328849	6-IC1	ES312416	3-SW1	SPB602047	9-9
BAA3014A030B	2-2	ED200469	5-D8,9	EI328850	6-IC2	ES312427	3-SW1	SP320042A	8-19
BAA3014A030C	2-3	ED200469	5-D10	EI650597	3-IC2	ES315159	8-2x	SP320042B	8-21x
BAA3014A030D	2-4	ED200469	6-D1,2	EJ202214	3-J1	ES665875	8-3x	SP320042C	8-22x
BAA3014A030E	2-5	ED200469	7-D1 to 6	EJ301513	8-38x	ET316171	6-TR2	SP320042D	8-23x
BDB320249A	9-1	ED200469	7-D8 to 11	EJ312691	8-27	ET316643	3-TR2 to 9	SP320042E	8-24x
BDB320249E	9-3x	ED224526	3-D13	EM328848	6-IN1	ET316643	5-TR1	SP320042F	8-20x
BF313161	8-43	ED313284	3-D9	EO201252	3-T7	ET316643	7-TR1 to 3	SP320042G	8-25x
BT312344	8-14x	ED322184	4-D3	EO304650	3-L3	ET323232	3-TR10	SP320042H	8-26x
BT312350	8-15x	ED322215	4-D2	EO307186	3-T5	ET452531	3-TR11	SP320894	8-7x
BT312391	8-16x	ED322238	3-D11	EO322240	3-T6	ET618873	3-TR1	SZ313800	8-42x
BT312392	8-17x	ED322247	4-D1	EO328137	3-L1,2	ET618873	6-TR1	SZ631945	8-36
BT312393	8-13	ED322774	6-D4	EO328137	6-L1 to 3	EV315416	6-VR1,2	TA307160	8-47
EC201253	3-C99	ED323216	3-D12	EO328854	3-T1	EV321635	7-VR1	ZS265814	8-9x
EC314688	8-5x	ED325080	5-D7	ER293398	3-T2	EV321682	3-VR4	ZS308673	8-37x
EC314996	3-C75	ED325080	6-D3	ER293398	3-T4	EV322416	3-VR1,2	ZS319460	8-39x
EC320548	3-C73	ED325080	7-D7	ER307201	3-FL1,2	EV427858	3-VR3	ZS319460	9-11x
EC320548	3-C70,71	EE312527	3-1	ER307204	3-T3	EW305691	8-33x	ZS321298	8-18x
EC320548	8-4	EE312528	3-2	ER324185	6-R35	EW306427	8-32x	ZS406416	9-4x
EC322983	3-C40	EE312738	8-29	ER324186	6-R38	EW306428	8-31	ZS498273	9-5x
EC322983	3-C39	EE313160	8-30x	ER324337	3-R13,14	EW315767	8-34x	ZS609120	8-40x
EC323073	3-C40	EF300590	8-51x	ER324337	3-R31,32	EW322401	8-35x	ZS609120	8-12x
EC323073	3-C39	EF308848	8-50x	ER324337	3-R65,66	MI313200	8-46	ZS609120	9-10x
EC324109	3-C42,43	EF308933	8-49x	ER324337	3-R44,45	MR308836	8-10	ZW231030	8-28
EC327382	8-6x	EF309389	8-48	ER324337	3-R73,74	MZ307170	8-11	ZW281463	8-41x
EC328862	3-C33	EI293185	3-IC4	ER324337	3-R7,8	SA324129	8-8	ZW305013	8-52x
EC616342	3-VC3,4	EI312443	3-IC3	ER324480	3-R63,64	SB324039	9-6	ZW436026	8-44x
EC616342	3-VC1,2	EI315491	4-IC1	ER328855	3-FL3,4	SK313564A	9-7	ZW554624	8-45x
ED200469	3-D1 to 8	EI322248	3-IC1	ES310839	8-1	SK320300A	9-8		
ED200469	3-D10	EI323231	6-x1	ES312415	3-SW1	SPB320249C	9-2x		

2. MODEL UC-U3E

Parts No.	Ref.No. & Symbol No.	Parts No.	Ref.No. & Symbol No.	Parts No.	Ref.No. & Symbol No.	Parts No.	Ref.No. & Symbol No.	Parts No.	Ref.No. & Symbol No.
BA702229	3-1	ED702188	3-D601	ER658091	2-R521,522	EV702179	2-VR301	SK320467A	5-8
BA702230	2-1	ED702188	3-D606	ER658124	2-R513,514	EW702207	4-6x	SK324127	5-6
BC702212	5-1	ED702193	2-D001	ES702173	2-S5	EW702208	4-7x	SK705087	5-7
BD702227	5-3	ED702194	2-D002	ES702174	2-S4	EW702210	4-9x	SP702214	5-4x
BT702197	4-1	ED702195	3-D611,612	ES702199	4-11	EW702211	4-8x	SP702215	4-17
BT702203	4-2x	ED702196	2-D003	ES702204	4-12x	EW711955	4-5	SP702217	4-18x
BT702206	4-3x	EF702200	4-13	ET308976	2-TR501	EZ702228	4-22	SP702218	4-20x
BT702209	4-4x	EF709931	4-14x	ET308976	3-TR60to604	SA324129	5-5x	SP702219	4-19x
EC303622	2-C003,004	EI307644	3-IC602	EV702176	2-VR501	SB324039	5-9	ZS702231	5-2x
EC702189	2-C303,304	EI702184	2-C501,502	EV702177	2-VR502	SK313564A	5-10		
EC702190	2-C309,310	EI702186	2-IC301						
EC702190	2-C513,514	EI702187	3-IC601						
EC702192	2-C301,302	EJ702175	2-J3						
EC702192	2-C511,512	EJ702181	2-J2						
EC702192	2-C501,502	EJ702182	2-J4						
EC702192	2-C517,518	EJ702183	2-J5						
EC702201	4-15	EJ702198	4-10						
EC702205	4-16x	EJ702216	4-21						
ED322215	2-D302 to 304	ER309419	2-R317,318						
ED322247	2-D301	ER624756	2-R001						

3. MODEL UC-U3

Parts No.	Ref. No. & Symbol No.	Parts No.	Ref. No. & Symbol No.	Parts No.	Ref. No. & Symbol No.	Parts No.	Ref. No. & Symbol No.	Parts No.	Ref. No. & Symbol No.
BAA2010A040A	4-1	ED330218	2-D2	ER314664	5-R4	ET322775	3-TR1	ZS325495	7-43x
BAA2011A030A	5-1	ED330219	2-D3,4	ER316802	5-R31	ET322778	2-TR2,3	ZS406416	8-8x
BAA2011A040A	6-1	EF306951	7-35	ER321153	2-R29	ET323366	2-TR4	ZS417216	7-28x
BAA2011A070A	2-1	EF306951	7-41x	ER322331	4-R9,10	EV307993	4-VR1	ZS447761	7-16
BAA2011A070B	2-2	EF306956	7-38x	ER322331	5-R9,10	EV322984	4-VR4,5	ZS447840	8-9x
BAA2011A120A	3-1	EF311839	7-40x	ER322332	2-R22	EV325629	4-VR2	ZS609120	8-11x
BAA2011A120B	3-2	EF323080	7-36x	ER322332	2-R25	EV325630	4-VR3	ZW305013	7-44x
BDB320480B	8-5	EF325683	7-37x	ER322361	2-R7	EV475470	3-VR1	ZW550642	7-27x
BT308119	7-29	EF326613	7-34	ER322361	3-R7	EW305691	7-20x		
BT308135	7-30x	EF326639	7-33	ER322362	5-R5	EW306427	7-19		
BT328769	7-31x	EF326639	7-39x	ER322363	5-R6	EW306428	7-21x		
BZA2010A030A	7-11x	EI200938	4-IC2	ER322591	2-R3	EZ225145	7-18		
EC313534	3-C19	EI200938	4-IC3	ER322591	2-R5	SA324129	7-26		
EC314688	7-10x	EI201446	5-IC1	ER322591	3-R3	SB324039	8-7		
EC320548	6-C3	EI308138	7-5	ER322591	3-R5	SE320481B	8-6x		
EC320548	6-C4	EI322588	4-IC1	ER323074	4R28,29	SKB324210	8-14		
EC320548	7-9x	EI329612	5-IC2	ER323074	4-R53	SK133564A	8-1		
EC322358	6-C1	EJ322582	7-17	ER323074	4-R51	SK320467A	8-13		
EC322358	6-C2	EJ323143	7-25	ES310839	7-8x	SK320566A	8-3		
EC322364	5-C6	EJ323144	7-24	ES315159	7-6	SK320646A	8-12		
EC322377	5-C7	EJ326185	7-23	ES318595	4-SW1	SK320649A	8-15		
EC326583	2-C30	EJ329265	7-3	ES322407	5-SW1	SPB320569A	8-10		
EC326583	6-C5	EJ329610	7-15	ES665875	7-7x	SP320568D	7-13x		
ED200213	6-D1	EJ330544	4-J1	ET219857	5-TR1	SP320568E	7-14x		
ED200468	5-D1	EO650823	2-L1	ET293253	4-TR2	SP320568G	7-12		
ED200469	3-D5,6	EO650823	3-L1	ET307195	4-TR1	SZ631945	7-22		
ED214457	2-D1	ER302241	2-R28	ET307195	4-TR3	TA200757	8-2x		
ED322247	7-1	ER308028	7-4x	ET310148	2-TR3	TA320567	8-4x		
ED322773	7-2	ER308875	2-R30	ET322598	2-TR6	ZS300519	7-32x		
ED324912	2-D5	ER308875	3-R8	ET322775	2-TR1	ZS319460	7-42		

4. MODEL UC-U4

Parts No.	Ref. No. & Symbol No.	Parts No.	Ref. No. & Symbol No.	Parts No.	Ref. No. & Symbol No.	Parts No.	Ref. No. & Symbol No.	Parts No.	Ref. No. & Symbol No.
BAA2010A040A	4-1	ED330219	2-D3,4	ER321153	2-R21	ET322775	6-TR4	ZS325495	8-36x
BAA2010A050A	5-1	EF306952	8-29	ER322331	4-R9,10	ET322778	3-TR2	ZS406416	9-9x
BAA2010A070A	7-1	EF306957	8-32x	ER322331	5-R9,10	ET323366	2-TR2	ZS417216	8-24x
BAA2010A100A	2-1	EF308848	8-34x	ER322332	2-R17	ET327162	6-TR1	ZS435273	8-27x
BAA2010A150A	3-1	EF309389	8-31	ER322332	2-R20	ET327162	6-TR3	ZS447761	8-15
BDB320480A	9-6	EF325683	8-33x	ER322362	5-R5	EV307993	4-VR1	ZS447840	9-10x
BT308117	8-25	EF326613	8-30	ER322363	5-R6	EV322984	4-VR4,5	ZS522865	8-13x
BT308118	8-26x	EI200938	4-IC2	ER322591	2-R3	EV325629	4-VR2	ZS609120	9-12x
BZA2010A030A	8-10x	EI200938	4-IC3	ER322591	2-R5	EV325630	4-VR3	ZW305013	8-37x
EC200811	7-C1	EI201446	5-IC1	ER322591	3-R3	EV475470	3-VR1	ZW413267	8-28
EC200811	7-C2	EI308137	8-5	ER322591	3-R5	EW305691	8-19x	ZW550642	8-23x
EC314688	8-9x	EI322588	4-IC1	ER323074	4R28,29	EW306427	8-18		
EC320548	7-C3,4	EI323564	3-IC1	ER323074	4-R51	EZ225145	8-17		
EC320548	8-8x	EI329612	5-IC2	ER323074	4-R53	SA324129	8-22		
EC322364	5-C6	EJ322582	8-16	ER329070	3-R27	SB324039	9-8		
EC322377	5-C7	EJ323143	6-12,3	ER329616	2-R7	SE320481A	9-7x		
EC324379	6-C7	EJ323144	6-J1	ER329616	3-R7	SKB324210	9-15		
EC326583	2-C27	EJ326185	8-21	ES315159	8-6	SK313564A	9-1		
EC326583	7-C5	EJ329265	8-3	ES318595	4-SW1	SK320467A	9-14		
ED200468	5-D1	EJ329610	8-14	ES318596	5-SW1	SK320566A	9-3		
ED200469	2-D1	EJ330544	4-J1	ES679566	8-7x	SK320646A	9-13		
ED200469	3-D1,2	EO650823	2-L1	ET219857	5-TR1	SK320649A	9-16		
ED200469	3-D4	EO650823	3-L1	ET293253	4-TR2	SPB320569A	9-11		
ED200469	3-D5,6	EP307992	3-RL1	ET307195	4-TR1	SP320568B	8-12x		
ED200749	7-D1	ER302241	2-R14	ET307195	4-TR3	SP320568F	8-11		
ED214457	3-D3	ER308028	8-4x	ET310148	2-TR3	SZ631945	8-20		
ED322247	8-1	ER308875	2-R10	ET322353	6-TR2	TA200757	9-2x		
ED322773	8-2	ER308875	3-R10	ET322598	2-TR4	TA200757	9-4x		
ED324912	2-D5	ER314664	5-R4	ET322775	2-TR1	TA320567	9-5x		
ED330218	2-D2	ER316802	5-R31	ET322775	3-TR1	ZS319460	8-35		

5. UC-F3

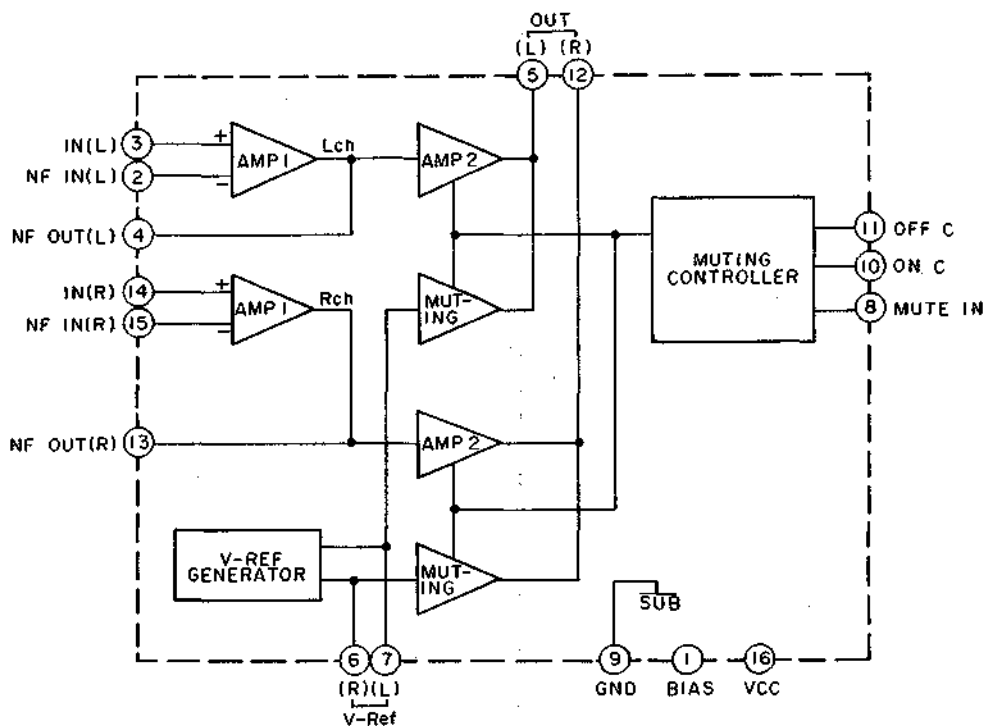
Parts No.	Ref. No. & Symbol No.	Parts No.	Ref. No. & Symbol No.	Parts No.	Ref. No. & Symbol No.	Parts No.	Ref. No. & Symbol No.	Parts No.	Ref. No. & Symbol No.
BA702454	2-1	ED742019	2-D604	ET308867	2-TR620	MB702313	11-64	ZG702290	11-26
BA702455	2-2	ED742019	2-D606	ET308867	2-TR902	MB702319	11-80	ZG702293	11-29
BD702456	13-2	EF702260	10-F001	ET308867	2-TR904	MB702320	11-81	ZG702295	11-33
BD702457	13-3	EI307644	2-IC305	ET308867	4-TR604	MB702331	11-106	ZG702300	11-43
BD702459	13-14	EI701058	3-IC901	ET308980	2-TR003	MC702267	12-22	ZG702304	11-46
BH702453	11-42	EI701059	4-IC701	ET308980	2-TR006	MH702315	11-65	ZG702306	11-49
BM702452	11-66	EI702186	3-IC301	ET308980	2-TR311,312	MI702288	11-23	ZG702307	11-50
BR702285	11-19	EI702237	2-IC303,304	ET308980	2-TR317,318	MI702316	11-68	ZG702308	11-51
BR702287	11-21	EI702239	3-IC302	ET308980	2-TR611	ML702276	11-4	ZG702309	11-52
BT702249	12-1	EI702245	2-IC601	ET308980	2-TR613	ML702305	11-48	ZG702317	11-77
BT702250	12-2x	EJ702133	2-J1,2	ET308980	2-TR616	ML702310	11-53	ZG702322	11-86
BT702251	12-3x	EJ702159	8-J7	ET308980	2-TR621	ML702321	11-85	ZG702323	11-89
BT702252	12-4x	EJ702182	2-J3to6	ET308980	2-TR623	MR702299	11-41	ZG702328	11-95
BT702253	12-5x	EL702329	11-96	ET308980	2-TR905	MV357208	11-39	ZG702337	11-134
BZ702294	11-32	EO702240	2-L301,302	ET308980	3-TR319,320	MV702279	11-8	ZG702338	11-144
BZ702327	11-94	EO702241	3-L303,304	ET308980	3-TR901	MZ702282	11-14	ZG702341	11-148
EC324662	2-C002,003	EO702242	2-L901	ET308980	3-TR903	MZ702291	11-28	ZS200615	11-206
EC702201	10-C001	EP702312	11-58	ET308980	4-TR701to705	SA324129	12-20	ZS390971	12-13
EC702205	10-C001	EP702334	11-129	ET308980	4-TR711	SB316316	13-6	ZS460440	11-301
EC702367	2-C950	ER200972	3-R903	ET308980	4-TR601to603	SB324039	13-7	ZS537006	12-17
EC702370	2-C956	ER318647	2-R950	ET319636	2-TR321,322	SK702261	13-4	ZS608106	11-302
EC702422	10-C001	ER330408	2-R004	ET319636	3-TR303,304	SK702262	13-5	ZS608106	11-314
ED322215	5-D629	ER366030	2-R005	ET328861	4-TR709,710	SK702271	13-8	ZS608477	11-304
ED322247	5-D628	ER478811	2-R317,318	ET330225	4-TR706to708	SK702272	13-9	ZS702265	12-21
ED327098	2-D601	ER558213	4-R714	ET702234	2-TR313to316	SK702273	13-10	ZS702318	11-79
ED327098	2-D603	ER701106	4-R001	ET702234	3-TR301,302	SK702274	13-11	ZS702342	13-15
ED327098	2-D615	ER701107	2-R003	ET702234	3-TR305to310	SK702458	13-12	ZW270101	11-255
ED327098	2-D622	ER702238	2-LC301,302	ET702243	2-TR002	SM702343	12-25	ZW270101	11-256
ED327098	3-D903	ER702368	2-R002	ET741903	2-TR005	SM702344	12-26x	ZW270123	11-253
ED702195	2-D006	ER702368	2-R015	ET741903	2-TR610	SM702345	12-29x	ZW273835	12-16
ED702195	2-D308to312	ER702369	2-R017	ET741903	2-TR612	SM702346	12-27x	ZW305546	11-203
ED702195	2-D314	ES702185	2-S1,2	ET741903	2-TR614,615	SM702348	12-28x	ZW313827	11-201
ED702195	2-D605	ES702232	6-S4	ET741903	3-TR323	SP702263	13-1	ZW329299	11-252
ED702195	2-D607to614	ES702233	7-S3	EV702352	3-VR301	SP702264	12-19	ZW329448	11-204
ED702195	2-D617to621	ES702248	5-S5to11	EV703279	3-SVR301,302	SP702266	12-24	ZW356657	11-254
ED702195	2-D631	ES702254	10-S14	EV703279	4-SVR701	SZ702275	13-13x	ZW364342	11-202
ED702195	2-D904to906	ES702255	12-12	EV741908	3-SVR951,952	TC702284	11-16	ZW410051	11-251
ED702195	3-D303to306	ES702256	10-S14	EV741979	3-SVR303,304	TC702296	11-37	ZW413188	12-18
ED702195	3-D313	ES702258	10-S14	EW702207	12-6	TC702297	11-38	ZW702333	11-116
ED702195	3-D901,902	ES702259	10-S14	EW702208	12-8x	TC702324	11-90	ZW702335	11-132
ED702195	4-D701to706	ES702311	11-56	EW702210	12-10x	TC702326	11-91	ZW702340	11-147
ED702236	3-D301,302	ES741998	12-11	EW702211	12-9x	TC702330	11-97		
ED702236	3-D307	ET293253	2-TR605	EW704798	12-7x	TC702332	11-109		
ED702244	2-D002,003	ET293253	2-TR607	EZ553173	12-15	TC702339	11-145		
ED702244	2-D005	ET293253	2-TR622	EZ702228	12-14	ZG702277	11-5		
ED702247	5-D630	ET306719	2-TR004	EZ742142	9-EL601	ZG702278	11-6		
ED702704	4-D707,708	ET306719	2-TR950	HE702302	11-45	ZG702280	11-13		
ED740049	2-D001	ET306720	2-TR001	HR702301	11-44	ZG702283	11-15		
ED741904	2-D004	ET308867	2-TR606	MB702269	12-23	ZG702286	11-20		
ED742019	2-D008	ET308867	2-TR608	MB702298	11-40	ZG702289	11-24		

SECTION 6

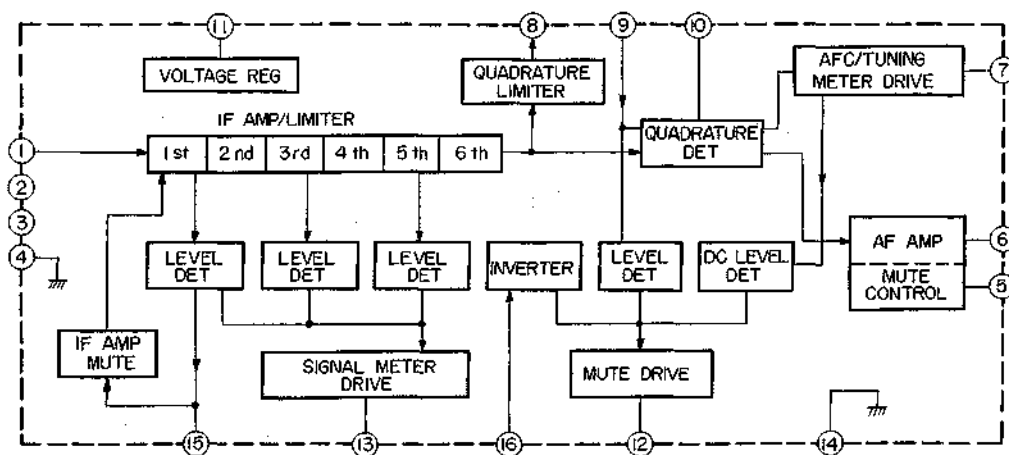
SCHEMATIC DIAGRAM

1. SCHEMATIC DIAGRAM OF ICs
2. UC-K3 NO. 1621040A SCHEMATIC DIAGRAM
3. UC-K3J NO. 1621042A SCHEMATIC DIAGRAM
4. UC-K3L NO. 1621041A SCHEMATIC DIAGRAM
5. UC-U3E NO. 1621038A SCHEMATIC DIAGRAM
6. UC-U3 NO. 1621037A SCHEMATIC DIAGRAM
7. UC-U4 NO. 1621039A SCHEMATIC DIAGRAM
8. UC-F3 NO. 1621036A SCHEMATIC DIAGRAM

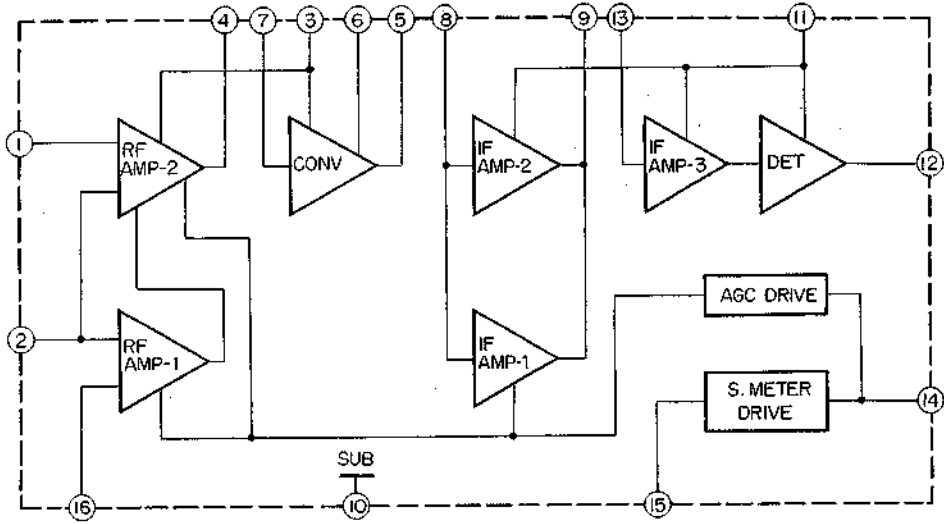
KB4438



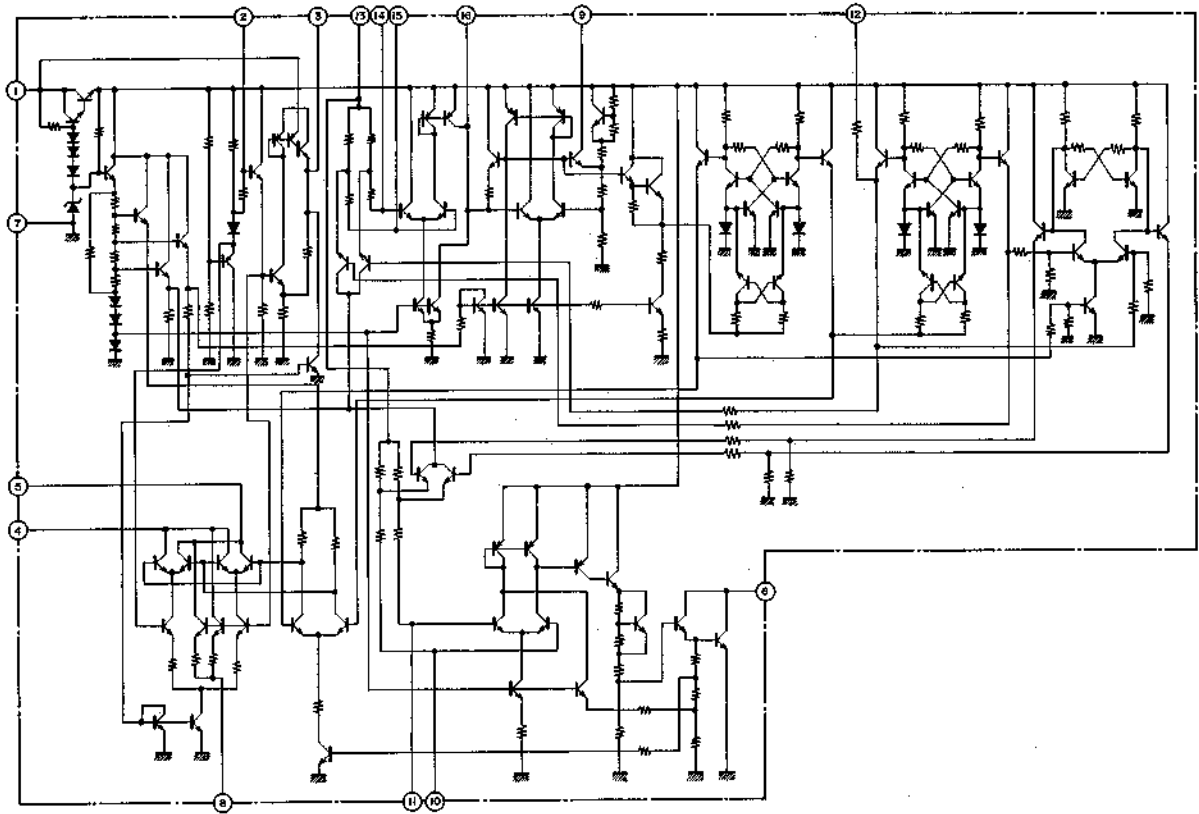
LA1231N



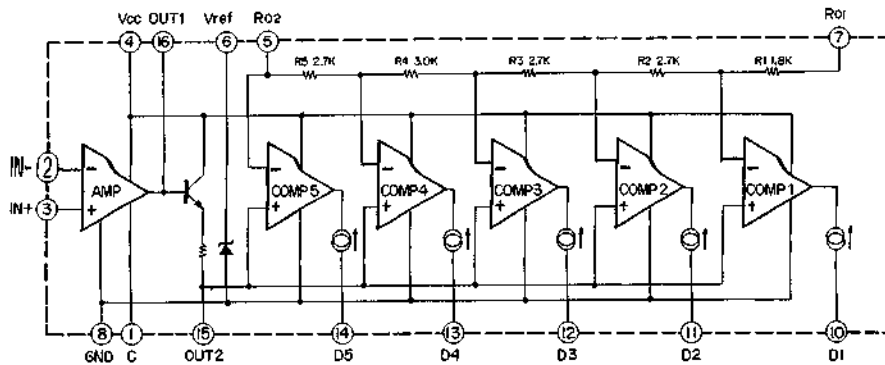
LA1240



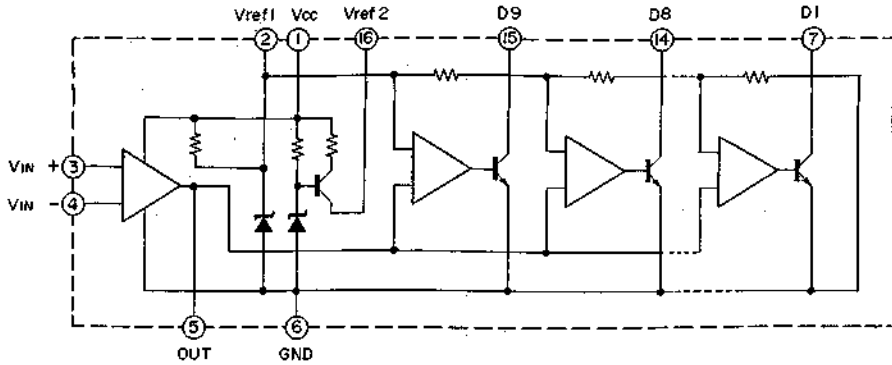
LA3350S



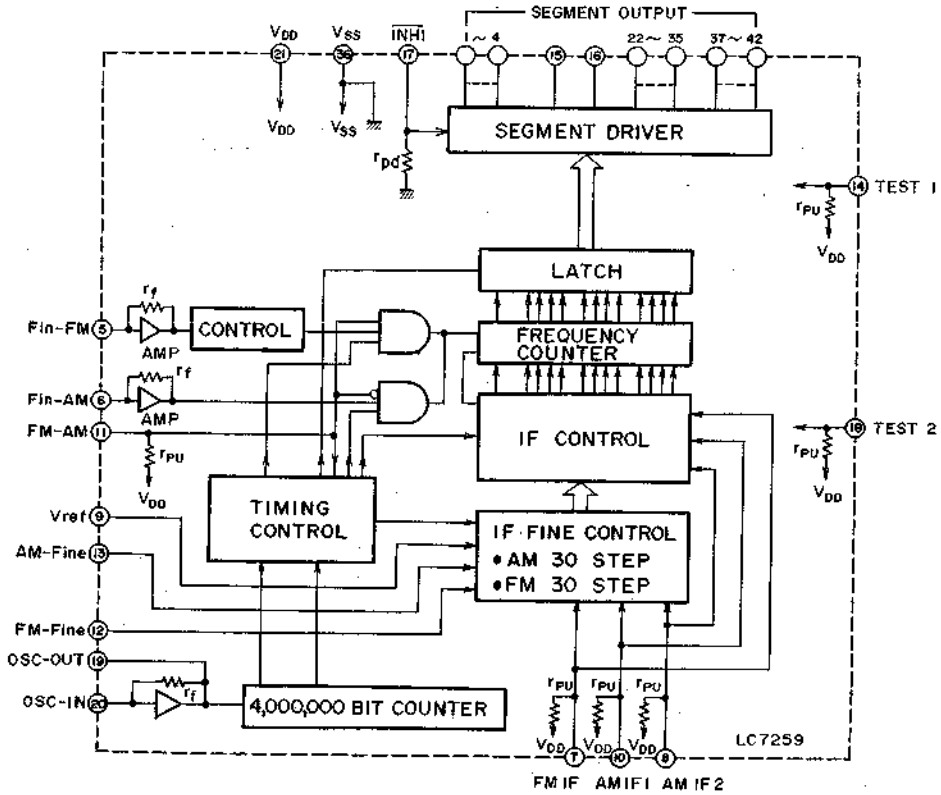
LB1405S



LB1409

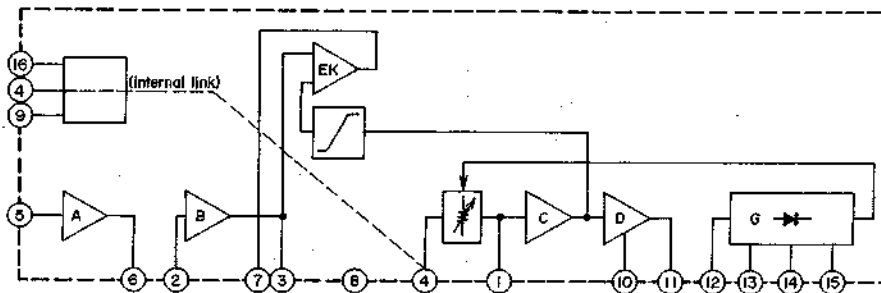


LC7259

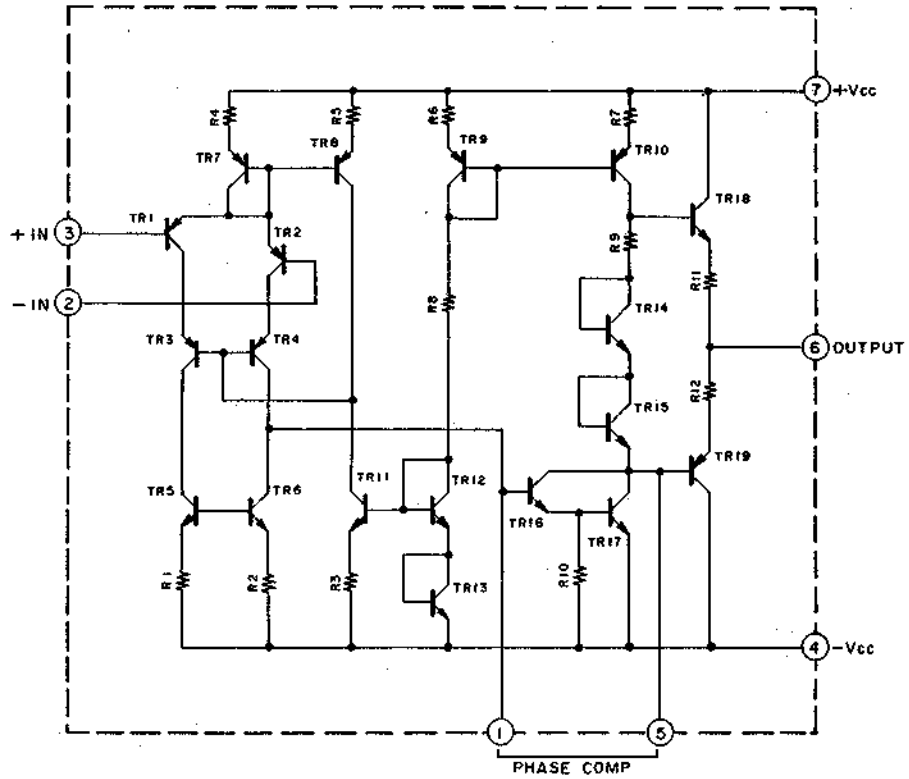


NOTE: rPU is a special-type resistor whose resistance will become the rated value at "H" level, and high at "L" level.

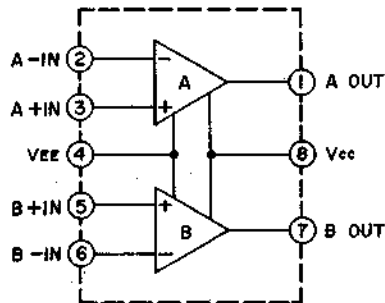
LM1111B



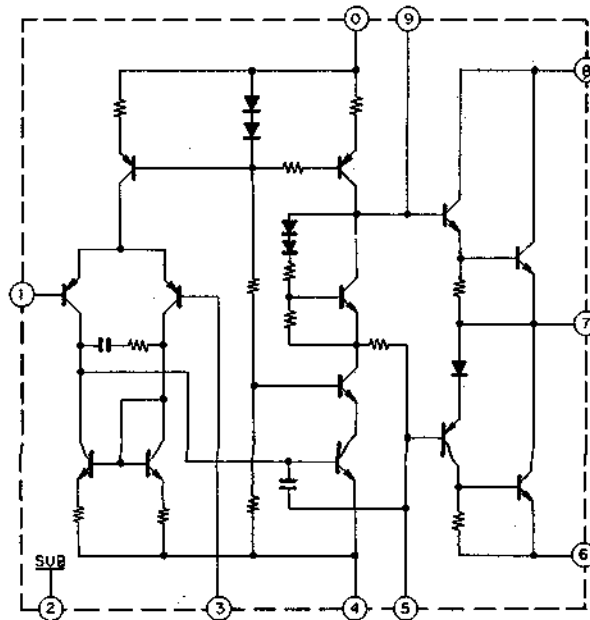
M5214L



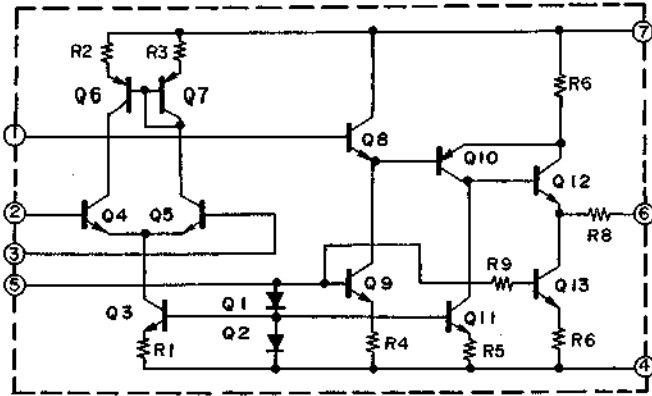
NJM4556D
 NJM4558DX
 NJM4560DX



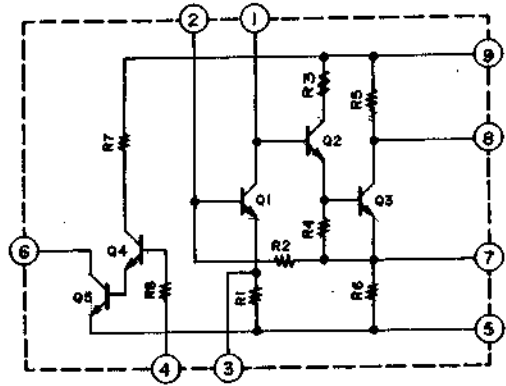
STK082G-SL
 STK084G-SL



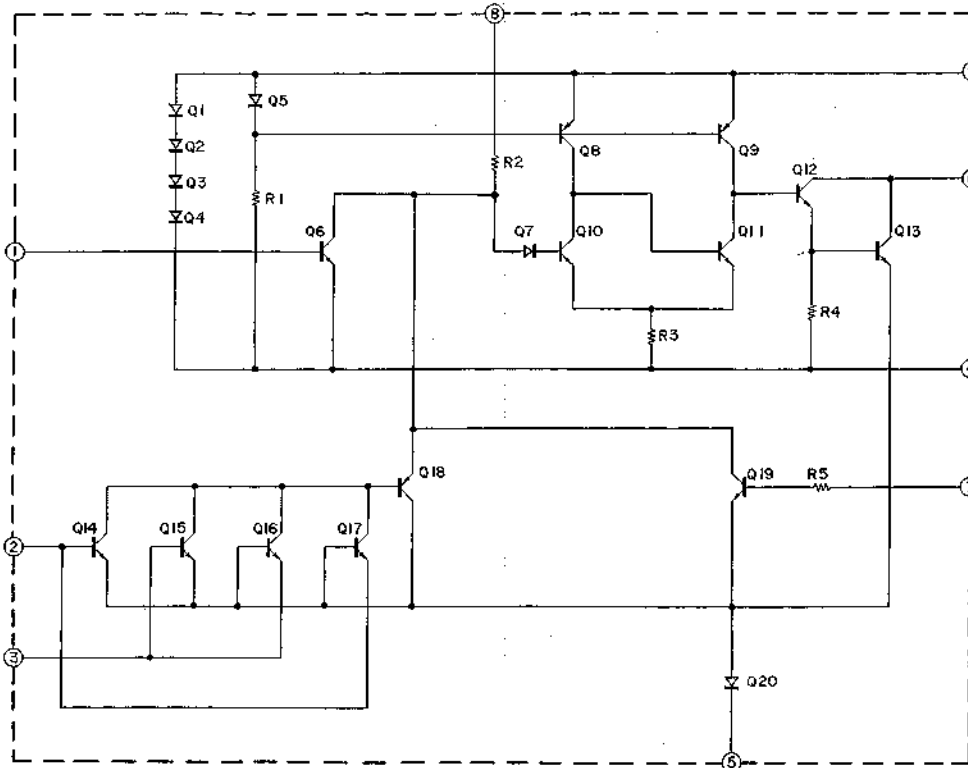
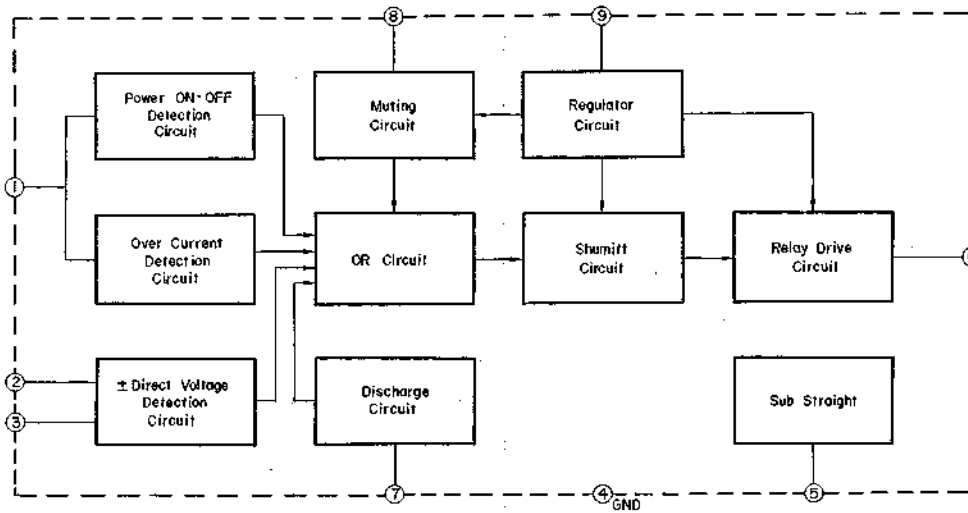
TA7136AP



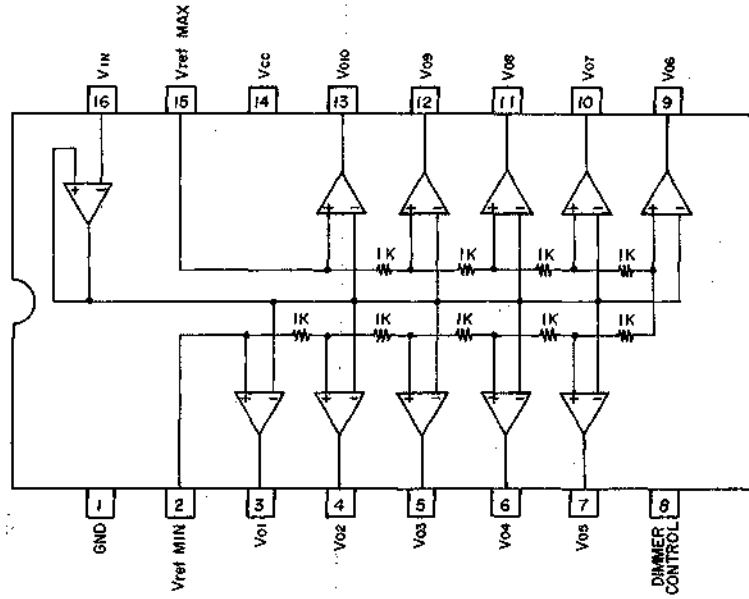
TA7317P



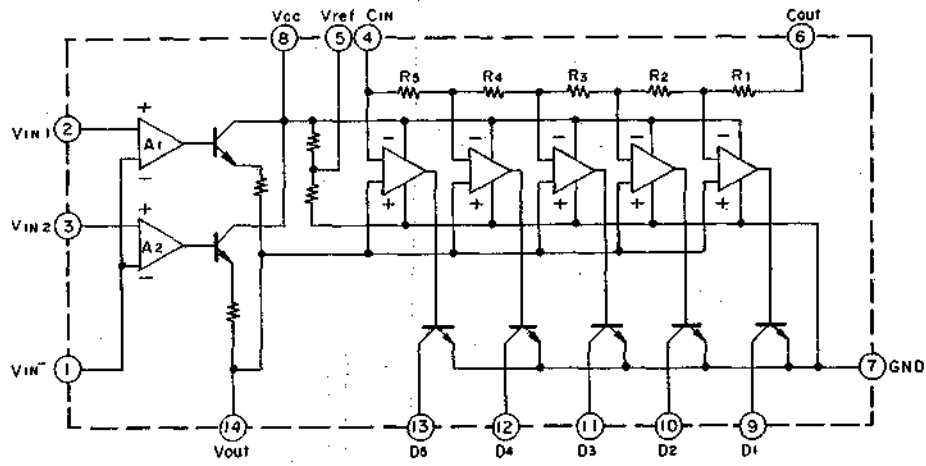
TA7137P



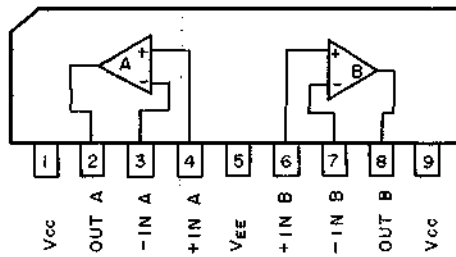
TA7612AP



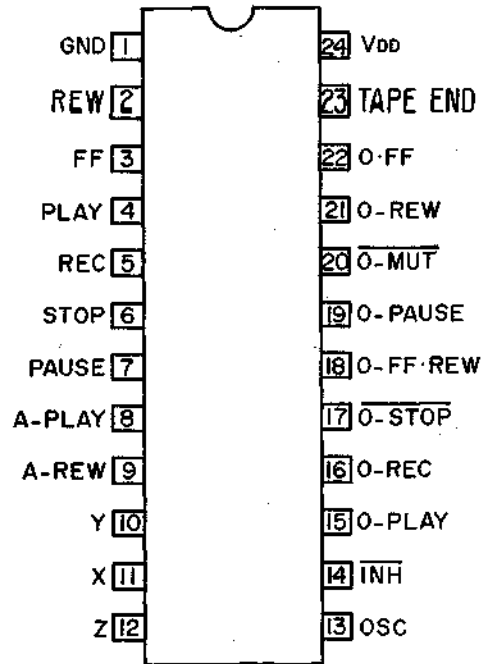
TA7654P



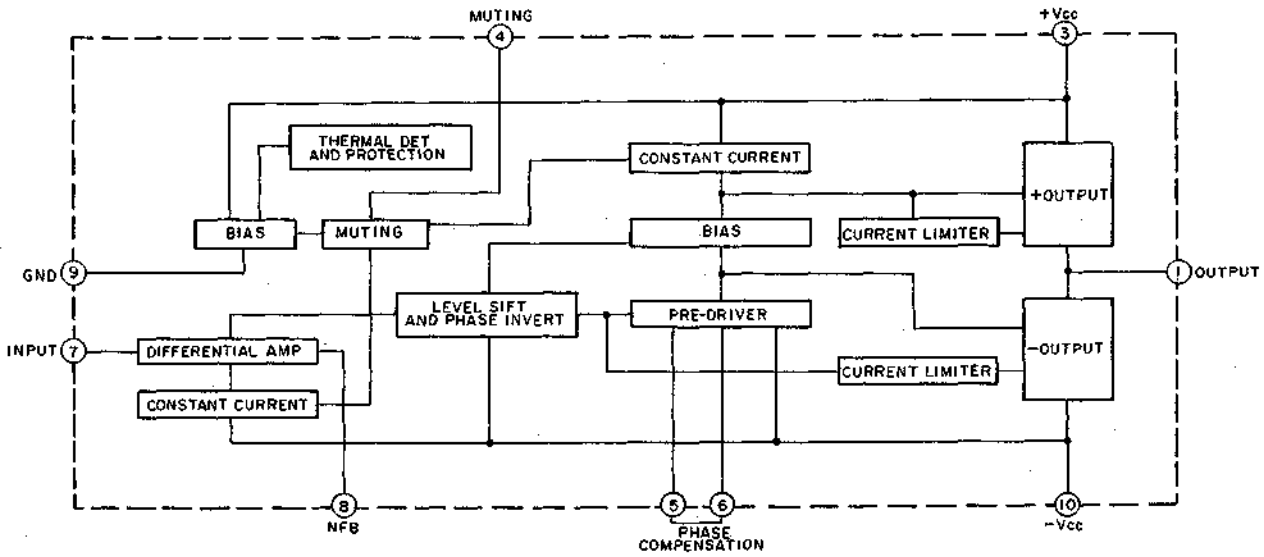
TA75558S

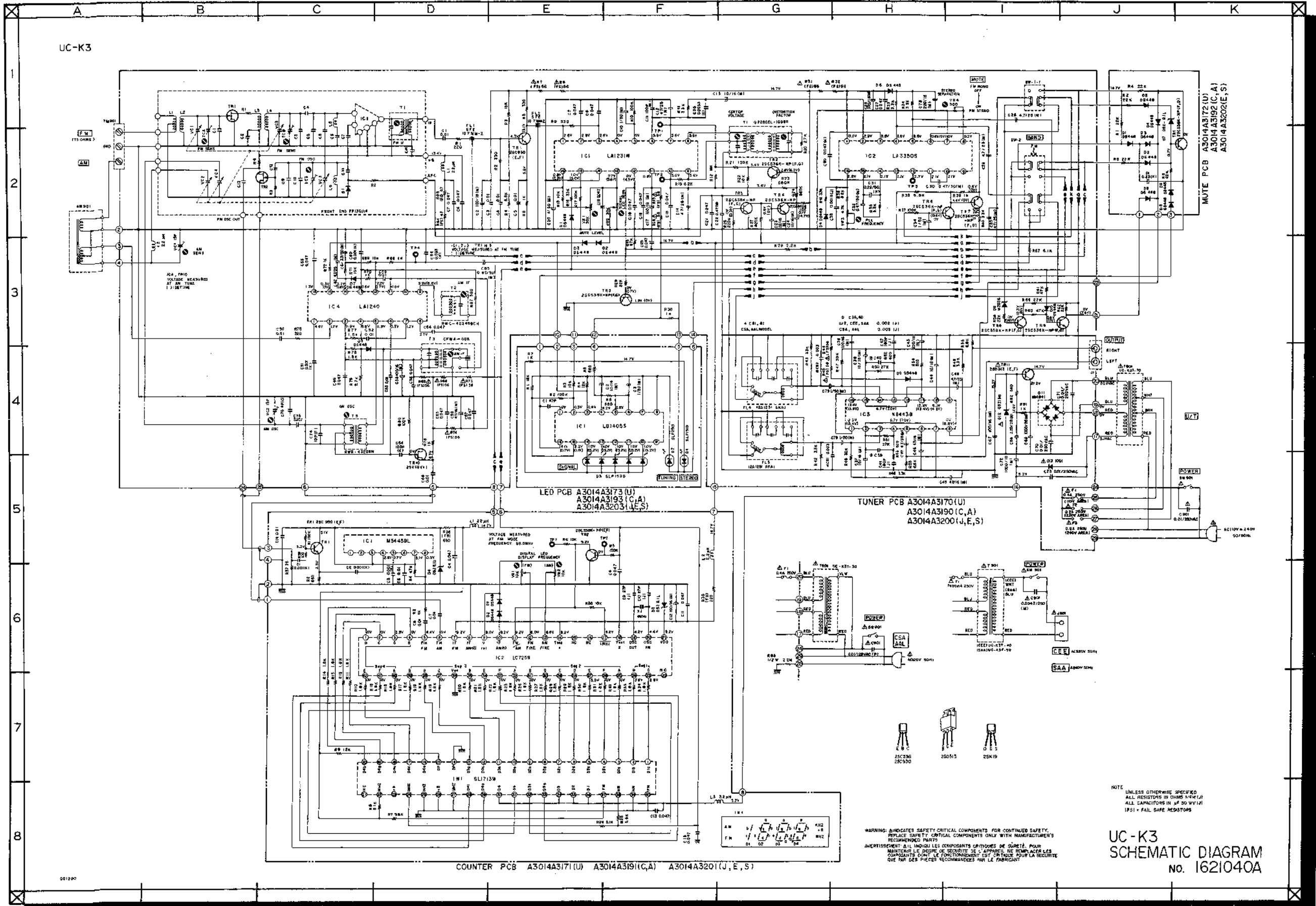


TC9121P



μPC1188H

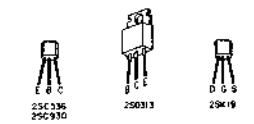
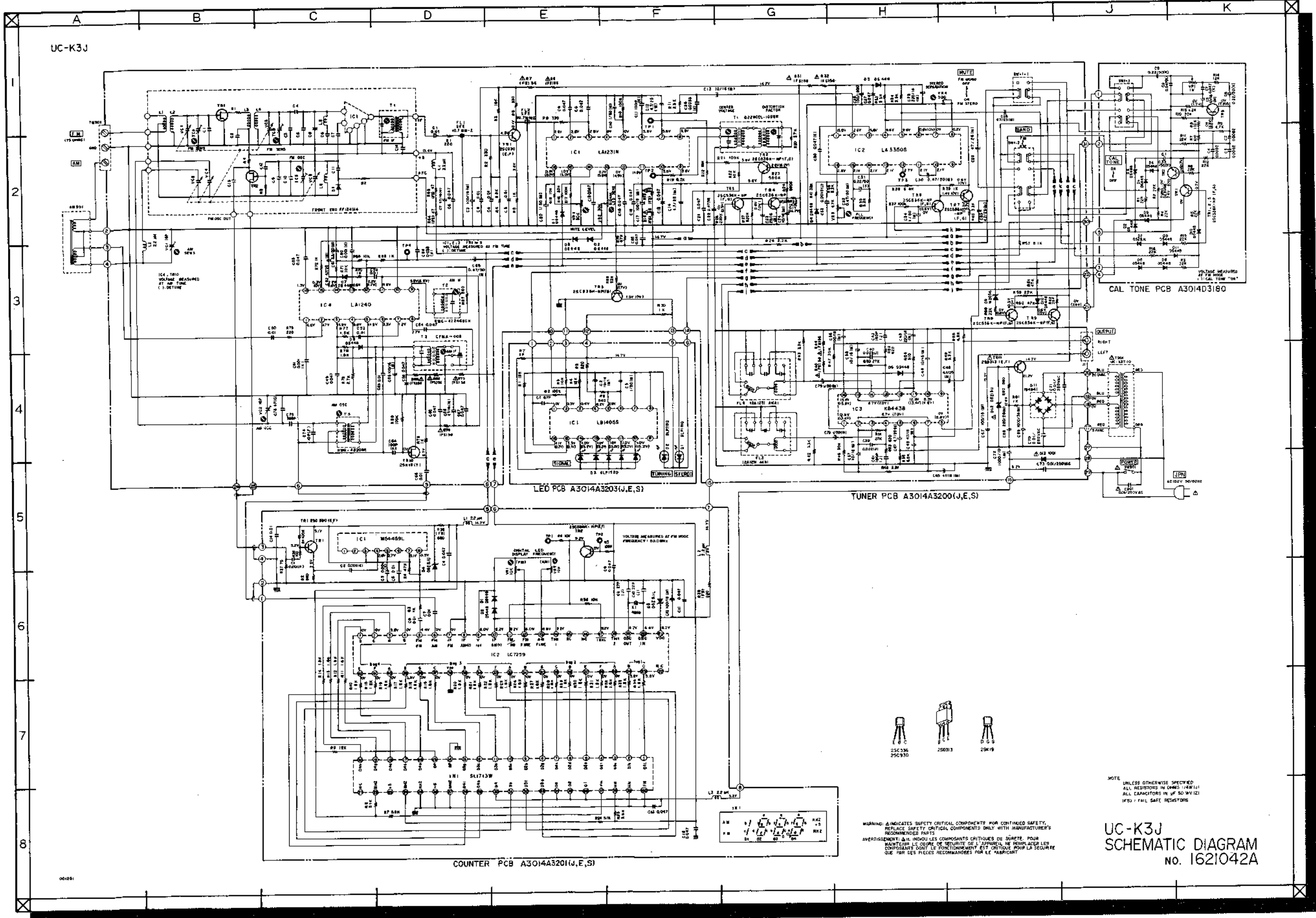




WARNING: INDICATES SAFETY CRITICAL COMPONENTS FOR CONTINUED SAFETY. REPLACE SAFETY CRITICAL COMPONENTS ONLY WITH MANUFACTURER'S RECOMMENDED PARTS.
 AVERTISSEMENT: AIL INDIQUE LES COMPOSANTS CRITIQUES DE SURETE POUR MAINTENIR LE DEGRE DE SECURITE DE L'APPAREIL. NE REMPLACEZ LES COMPOSANTS QU'AVEC LE FONCTIONNEMENT EST CRITIQUE POUR LA SECURITE QUE PAR DES PIECES RECOMMANDEES PAR LE FABRICANT.

NOTE: UNLESS OTHERWISE SPECIFIED, ALL RESISTORS BY OHMS 1/4W/1% ALL CAPACITORS IN UF 50V/1% 1F01 = FAIL SAFE RESISTORS

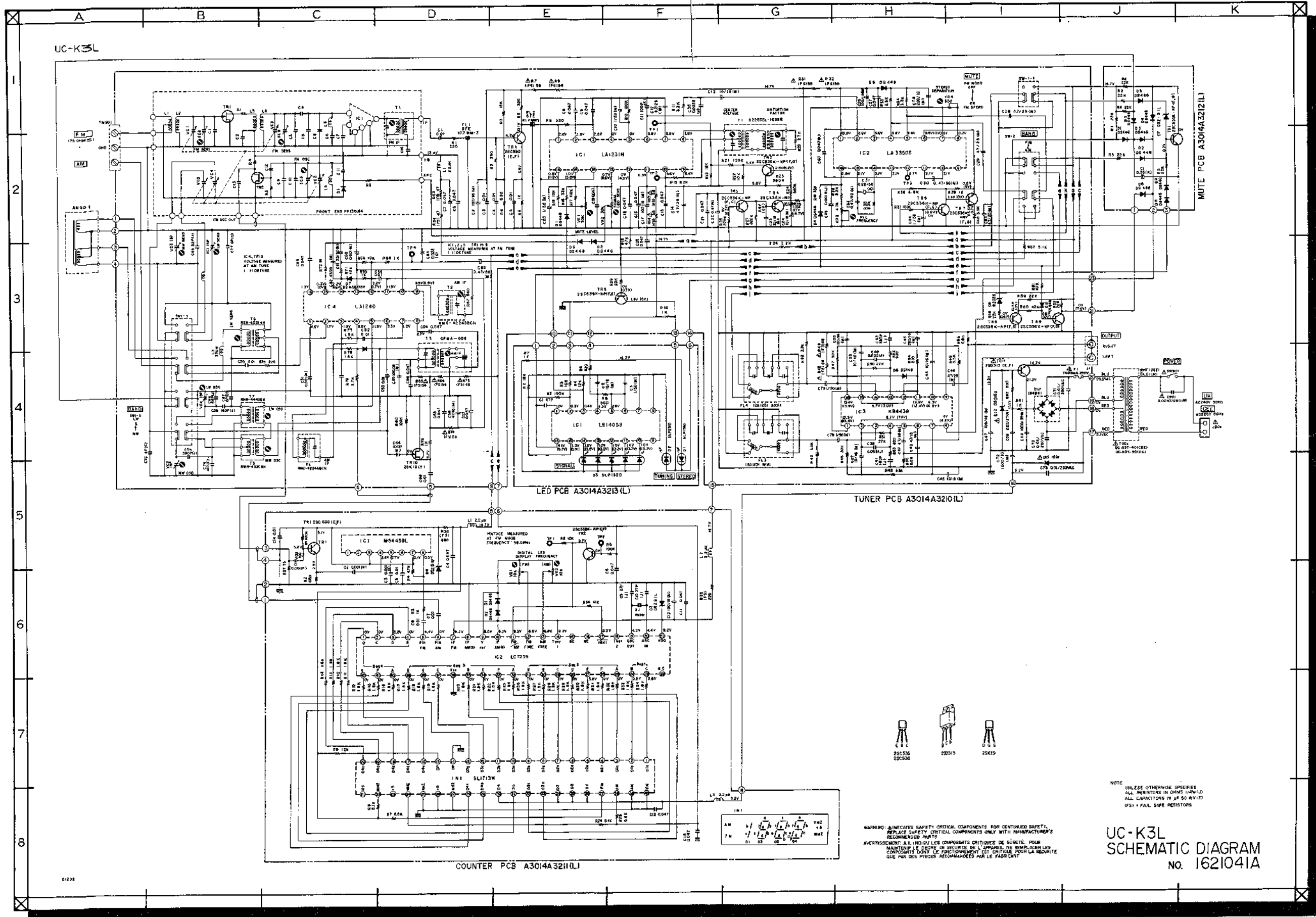
UC-K3
 SCHEMATIC DIAGRAM
 NO. 1621040A



WARNING: INDICATES SAFETY CRITICAL COMPONENTS FOR CONTINUED SAFETY. REPLACE SAFETY CRITICAL COMPONENTS ONLY WITH MANUFACTURER'S RECOMMENDED PARTS.
 AVERTISSEMENT: IL INDIQUE LES COMPOSANTS CRITIQUES DE SÛRETÉ. POUR MAINTENIR LE NIVEAU DE SÛRETÉ DE L'APPAREIL, NE REMPLACEZ LES COMPOSANTS QU'AVEC LES RECOMMANDATIONS DU FABRICANT.

NOTE: UNLESS OTHERWISE SPECIFIED, ALL RESISTORS IN OHMS (1/4W/1%) ALL CAPACITORS IN μ F 50 WV 10% (F50) - FAIL SAFE RESISTORS

UC-K3J
 SCHEMATIC DIAGRAM
 No. 1621042A



UC-K3L

AM

FM

LED PCB A3014A3213(L)

TUNER PCB A3014A3210(L)

COUNTER PCB A3014A3211(L)

MUTE PCB A3014A3212(L)

NOTE

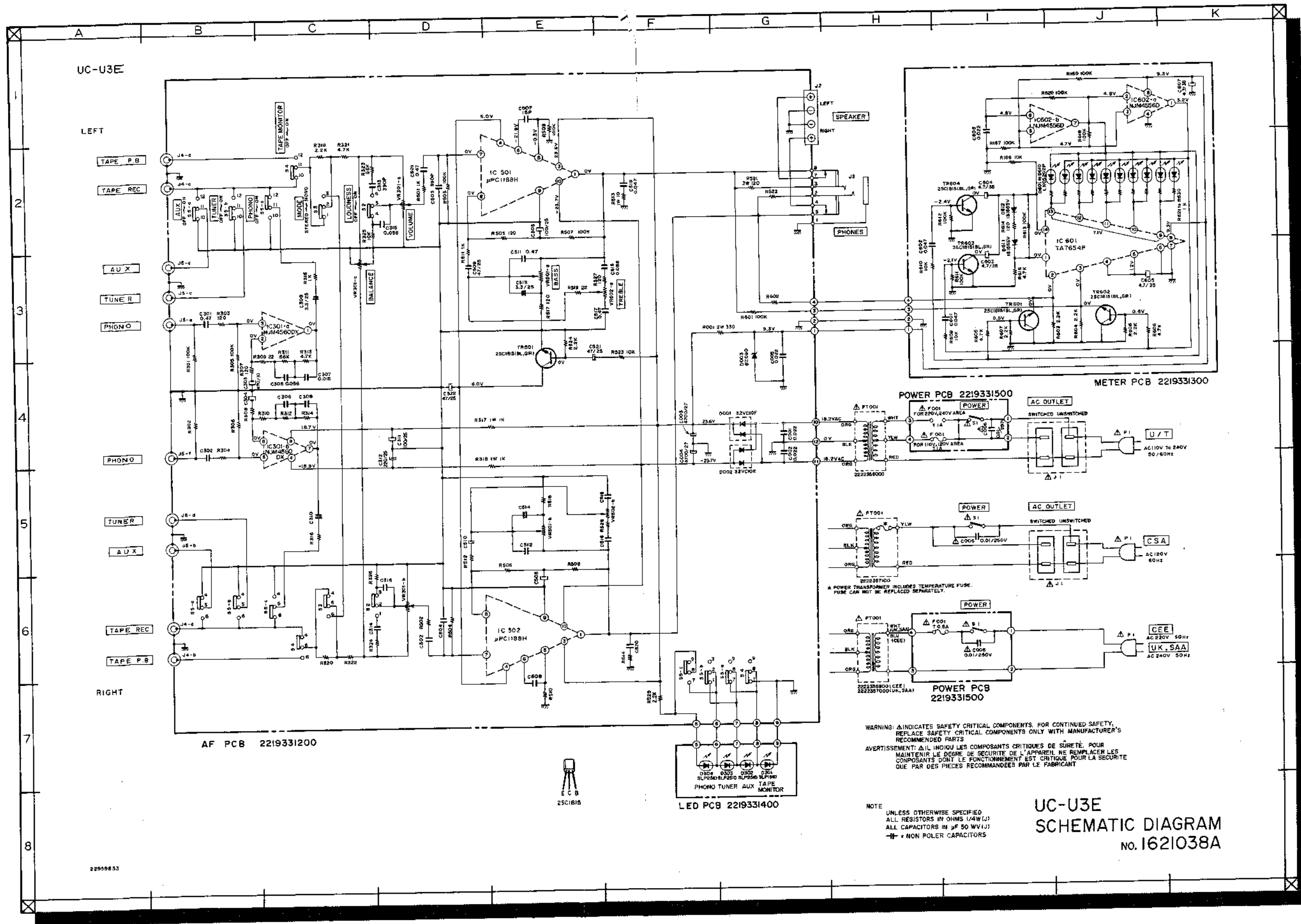
UNLESS OTHERWISE SPECIFIED
ALL RESISTORS IN OHMS (1/4W)
ALL CAPACITORS IN UF (50 MV)
F51 = FAIL SAFE RESISTORS

WARNING: Δ INDICATES SAFETY CRITICAL COMPONENTS FOR CONTINUED SAFETY.
REPLACE SAFETY CRITICAL COMPONENTS ONLY WITH MANUFACTURER'S
RECOMMENDED PARTS

AVERTISSEMENT: Δ IL INDIQUE LES COMPOSANTS CRITIQUES DE SÛRETÉ. POUR
MAINTENIR LE NIVEAU DE SÛRETÉ DE L'APPAREIL, NE REMPLACEZ QUE LES
COMPOSANTS DONT LE FONCTIONNEMENT EST CRITIQUE POUR LA SÛRETÉ
QUE PAR DES PIÈCES RECOMMANDÉES PAR LE FABRICANT

UC-K3L
SCHEMATIC DIAGRAM
NO. 1621041A

07208



UC-U3E

LEFT

RIGHT

AF PCB 2219331200

METER PCB 2219331300

POWER PCB 2219331500

POWER PCB 2219331500

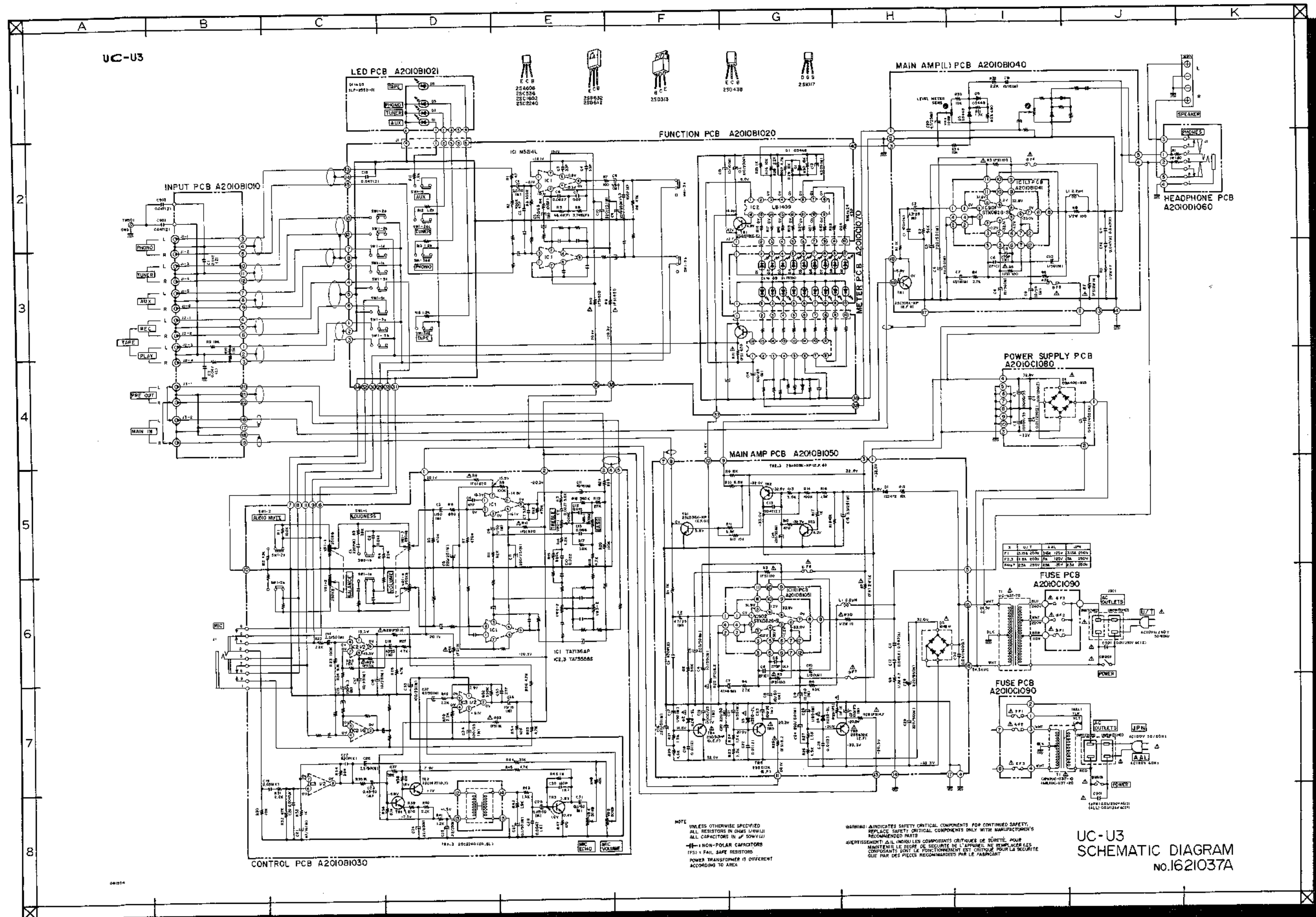
LED PCB 2219331400

WARNING: Δ INDICATES SAFETY CRITICAL COMPONENTS. FOR CONTINUED SAFETY, REPLACE SAFETY CRITICAL COMPONENTS ONLY WITH MANUFACTURER'S RECOMMENDED PARTS.
 AVERTISSEMENT: Δ IL INDIQUÉ LES COMPOSANTS CRITIQUES DE SÛRETÉ. POUR MAINTENIR LE DEGRÉ DE SÛRETÉ DE L'APPAREIL, NE REMPLACER LES COMPOSANTS DONT LE FONCTIONNEMENT EST CRITIQUE POUR LA SÛRETÉ QUE PAR DES PIÈCES RECOMMANDÉES PAR LE FABRICANT.

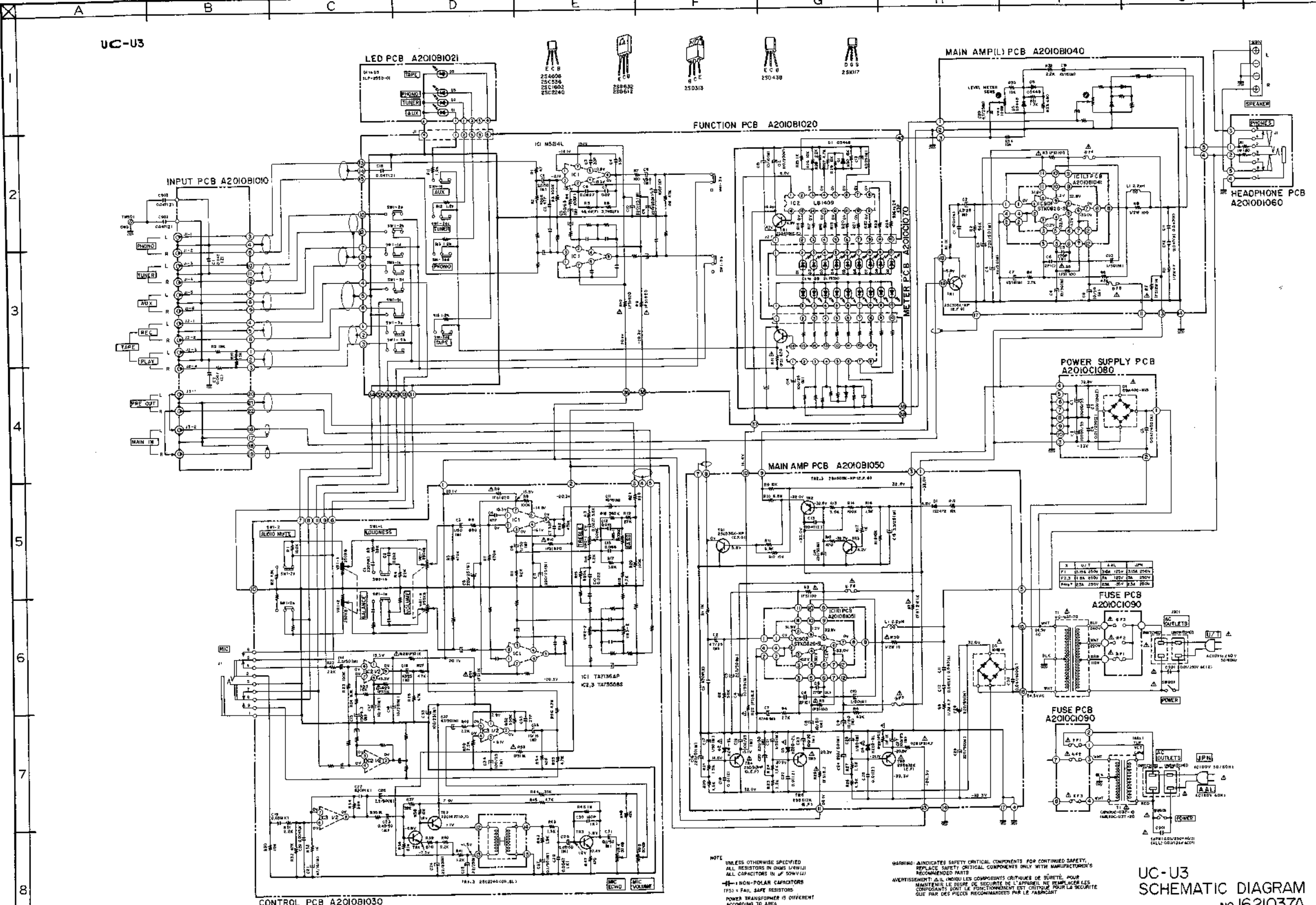
NOTE
 UNLESS OTHERWISE SPECIFIED
 ALL RESISTORS IN OHMS (Ω) (W) (J)
 ALL CAPACITORS IN μF (50 WV(J))
 — = NON POLAR CAPACITORS

UC-U3E
 SCHEMATIC DIAGRAM
 No. 1621038A

22959853



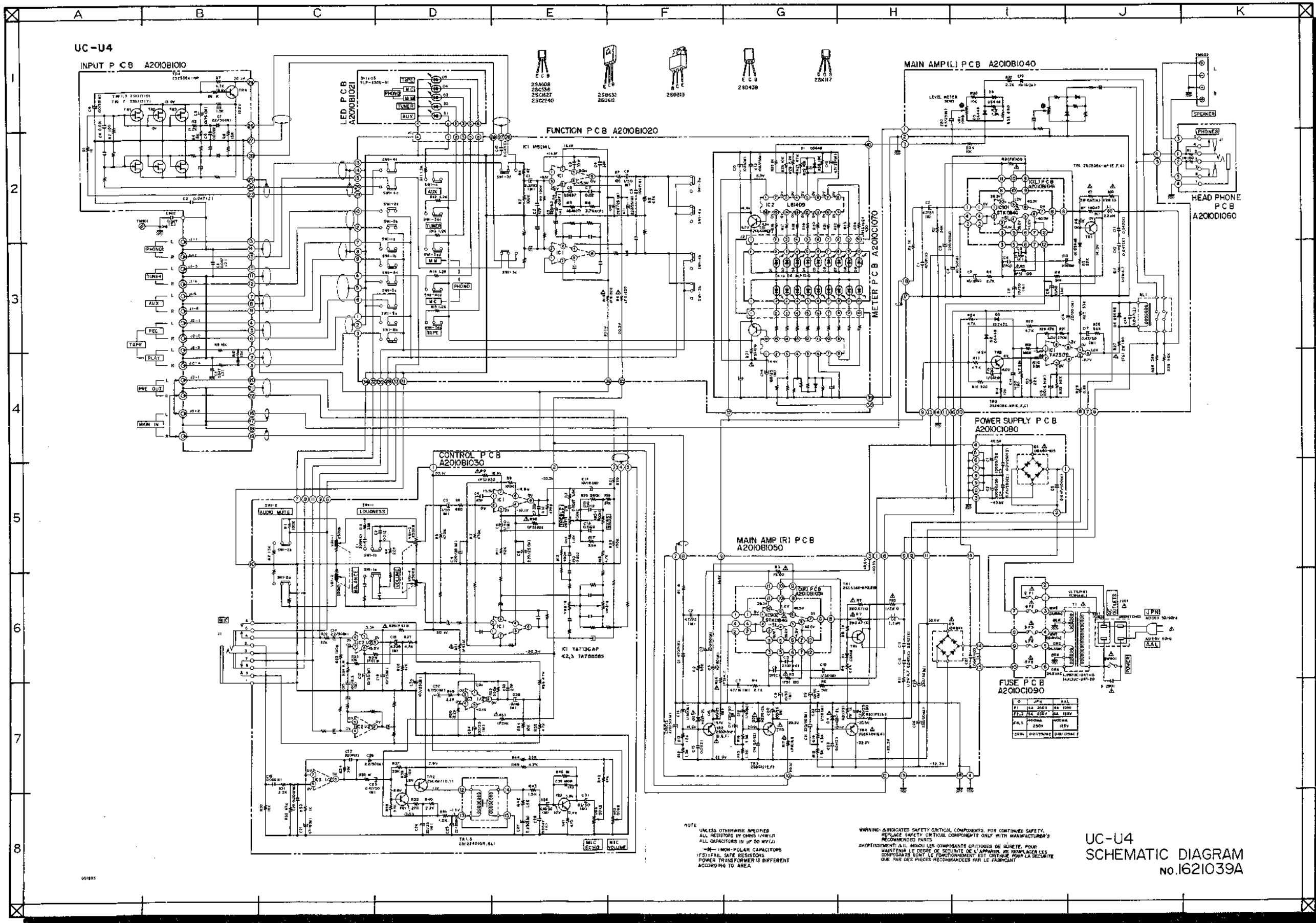
UC-U3



NOTE
UNLESS OTHERWISE SPECIFIED
ALL RESISTORS IN OHMS (R/W/L)
ALL CAPACITORS IN μF (S/M/V/L)
—= NON-POLAR CAPACITORS
□= FAIL-SAFE RESISTORS
POWER TRANSFORMER IS DIFFERENT
ACCORDING TO AREA

WARNING: INDICATES SAFETY CRITICAL COMPONENTS FOR CONTINUED SAFETY.
REPLACE SAFETY CRITICAL COMPONENTS ONLY WITH MANUFACTURER'S
RECOMMENDED PARTS.
AVERTISSEMENT: IL INDIQUE LES COMPOSANTS CRITIQUES DE SÉCURITÉ. POUR
MAINTENIR LE DEGRÉ DE SÉCURITÉ DE L'APPAREIL, NE REMPLACEZ LES
COMPOSANTS QU'AVEC LE TYPE/TYPEMENT QUI EST CRITIQUE POUR LA SÉCURITÉ
QUE PAR DES PIÈCES RECOMMANDÉES PAR LE FABRICANT.

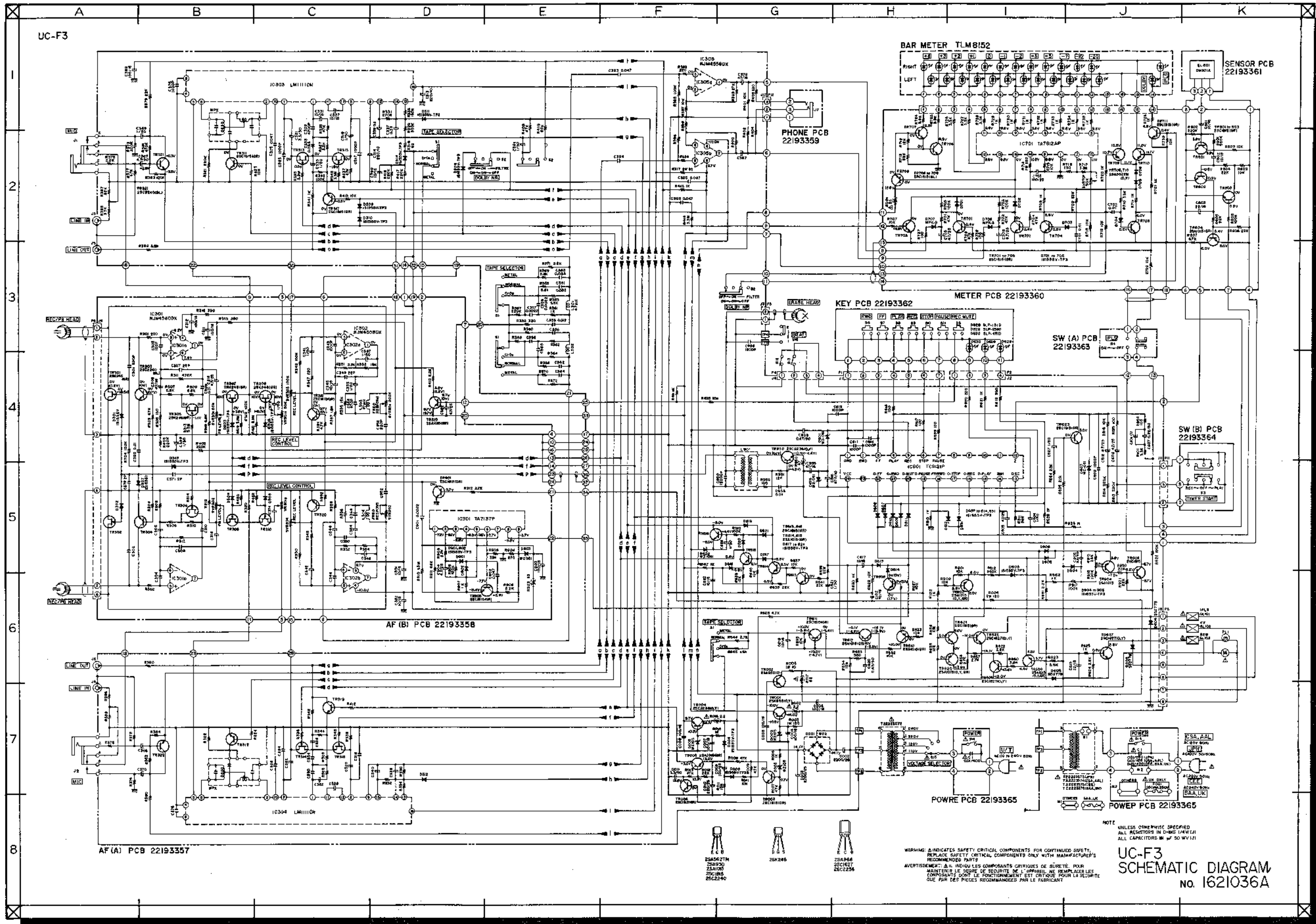
UC-U3
SCHEMATIC DIAGRAM
No.1621037A



NOTE
 UNLESS OTHERWISE SPECIFIED
 ALL RESISTORS IN OHMS UNLESS
 ALL CAPACITORS IN UF 50 MV/UF
 -M=NON-POLAR CAPACITORS
 (F)SILICONE RESISTORS
 POWER TRANSFORMERS DIFFERENT
 ACCORDING TO AREA

WARNING: INDICATED SAFETY CRITICAL COMPONENTS. FOR CONTINUED SAFETY,
 REPLACE SAFETY CRITICAL COMPONENTS ONLY WITH MANUFACTURER'S
 RECOMMENDED PARTS
 AVERTISSEMENT: A.L. INDIQUÉ LES COMPOSANTS CRITIQUES DE SÛRETÉ. POUR
 MAINTENIR LE DEGRÉ DE SÛRETÉ DE L'APPAREIL, NE REMPLACEZ LES
 COMPOSANTS QU'AVEC LE FONCTIONNEMENT EST IDENTIFIÉ PAR LA SÛRETÉ
 QUE PAR DES PIÈCES RECOMMANDÉES PAR LE FABRICANT

UC-U4
 SCHEMATIC DIAGRAM
 No.1621039A



UC-F3
SCHEMATIC DIAGRAM
No. 1621036A