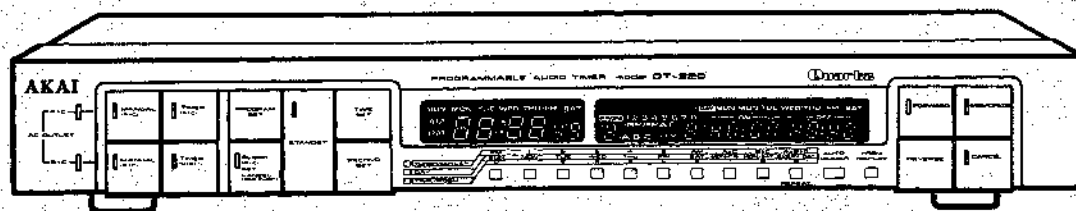
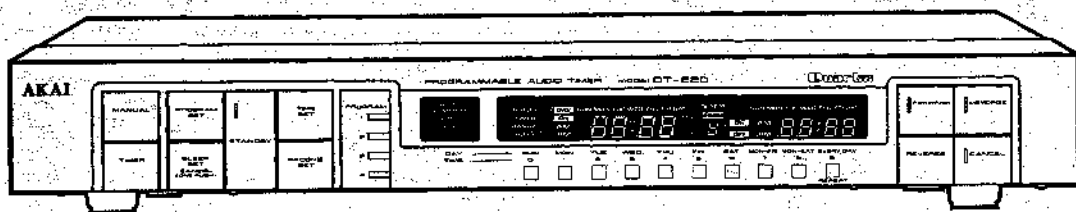
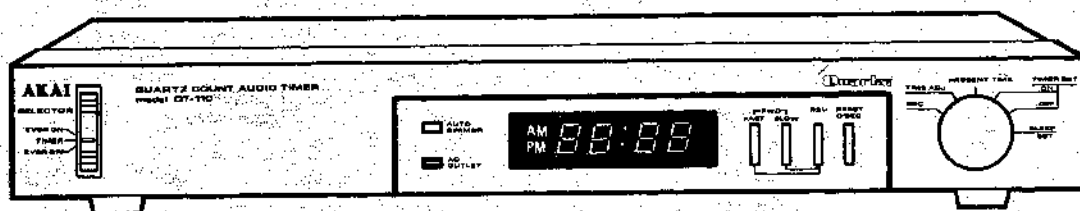


AKAI SERVICE MANUAL



AUDIO TIMER

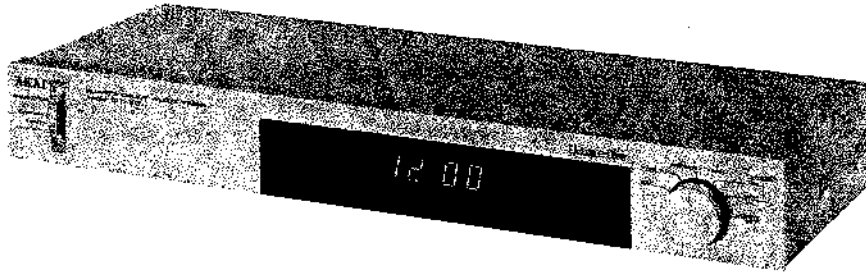
MODEL **DT-110**

PROGRAMMABLE AUDIO TIMER

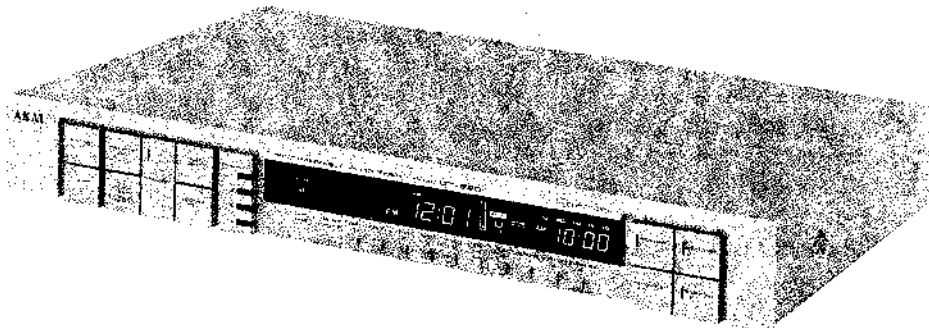
MODEL **DT-220**

MODEL **DT-320**

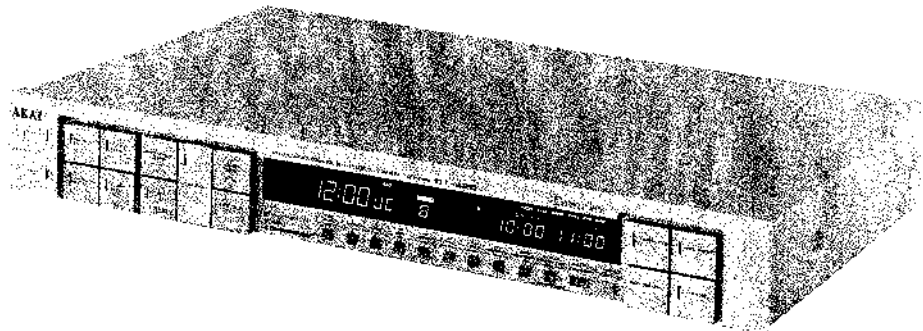
DT-110
DT-220
DT-320



DT-110



DT-220



DT-320

AUDIO TIMER

MODEL **DT-110**

PROGRAMMABLE AUDIO TIMER

DT-220

MODEL **DT-320**

THIS MANUAL IS APPLICABLE TO BOTH SILVER
AND PEARL SHADOW PANEL MODELS

| | | |
|-----------|-------------------------|----|
| SECTION 1 | SERVICE MANUAL | 3 |
| SECTION 2 | PARTS LIST | 19 |
| SECTION 3 | SCHEMATIC DIAGRAM | 28 |

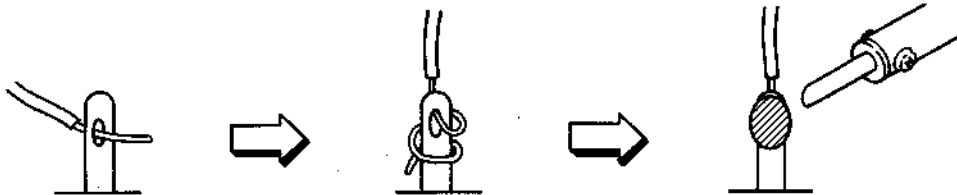
SAFETY INSTRUCTIONS

SAFETY CHECK AFTER SERVICING

Confirm the specified insulation resistance between power cord plug prongs and externally exposed parts of the set is greater than 10 Mohms, but for equipment with external antenna terminals (tuner, receiver, etc.) and is intended for **C** or **A**, specified insulation resistance should be more than 2.2 Mohms (ground terminals, microphone jacks, headphone jacks, line-in-out jacks etc.)

PRECAUTIONS DURING SERVICING

1. Parts identified by the **Δ** symbol parts are critical for safety.
Replace only with parts number specified.
2. In addition to safety, other parts and assemblies are specified for conformance with such regulations as those applying to spurious radiation. These must also be replaced only with specified replacements.
Examples: RF converters, tuner units, antenna selector switches, RF cables, noise blocking capacitors, noise blocking filters, etc.
3. Use specified internal wiring. Note especially:
 - 1) Wires covered with PVC tubing
 - 2) Double insulated wires
 - 3) High voltage leads
4. Use specified insulating materials for hazardous live parts. Note especially:
 - 1) Insulation Tape
 - 2) PVC tubing
 - 3) Spacers (Insulating Barriers)
 - 4) Insulation sheets for transistors
5. When replacing AC primary side components (transformers, power cords, noise blocking capacitors, etc.), wrap ends of wires securely about the terminals before soldering.



6. Observe that wires do not contact heat producing parts (heatsinks, oxide metal film resistors, fusible resistors, etc.).
7. Check that replaced wires do not contact sharp edged or pointed parts.
8. Also check areas surrounding repaired locations.
9. Use care that foreign objects (screws, solder droplets, etc.) do not remain inside the set.

SECTION 1

SERVICE MANUAL

TABLE OF CONTENTS

| | |
|----------------------------------------------------|-----------|
| I. SPECIFICATIONS | 4 |
| 1. Model DT-110 | 4 |
| 2. Model DT-220 | 4 |
| 3. Model DT-320 | 5 |
| II. CONTROLS | 6 |
| 1. Model DT-110 | 6 |
| 2. Model DT-220 | 7 |
| 3. Model DT-320 | 8 |
| III. CLOCK FREQUENCY ADJUSTMENT | 9 |
| 1. Model DT-110 | 9 |
| 2. Model DT-220 | 9 |
| 3. Model DT-320 | 10 |
| IV. COMPOSITION OF VARIOUS P.C BOARDS | 11 |
| 1. Model DT-110 | 11 |
| 2. Model DT-220 | 12 |
| 3. Model DT-320 | 14 |

I. SPECIFICATIONS

1. Model DT-110

| | |
|--------------------------|----------------------------------------------------------------------------------------------------------|
| TIMER ACCURACY | ±15 seconds within one month |
| TIMER BASE | Quartz oscillator |
| TIMER OPERATION ACCURACY | Less than 0.2 seconds |
| TIMER DISPLAY | 24 Hour Display AM/PM 12 Hour Display for Canada only |
| TIMER SYSTEM | Daily type (turns on and off once) |
| TIMER SET PERIOD | 1 minute to 23 hours and 59 minutes |
| SLEEP TIME PERIOD | 1 minute to 1 hour and 59 minutes |
| AC OUTLETS | SWITCHED × 2 Total 1200W maximum (for JPN) Total 600W maximum (for other countries) |
| POWER REQUIREMENTS | 100V, 50/60 Hz for JPN 120V, 60 Hz for Canada 110V/120V/220V/240V, 50 Hz/60 Hz for other countries |
| POWER CONSUMPTION | U, C Model 9W |
| DIMENSIONS | 440 (W) × 57 (H) × 112 (D) mm (17.3 × 2.2 × 4.4 inches) |
| WEIGHT | 1.2 kg (2.6 lbs) |

2. Model DT-220

| | | | | | | | | | |
|---------------------------------------|-----------------------------------------------------------------------------------------------------------------------------------------------------------------------------------------------------------------------------------------------------------------------------------------------------------------------------------------------------------------------------------------------------------------|--|-------------------------------|--|------------------------------------------------------|---------------------|------------------|-----------------|--|
| TIME ACCURACY | Within ±15 sec./month (approx. 20°C) | | | | | | | | |
| TIME BASE | Quartz Oscillator | | | | | | | | |
| TIMER OPERATION ACCURACY | Within +0.02 sec. | | | | | | | | |
| TIMER DISPLAY | <table border="0" style="width: 100%;"> <tr> <td style="width: 50%;"></td> <td>24 Hour notation (for Europe)</td> </tr> <tr> <td style="width: 50%;"></td> <td>24/12 Hour selectable notation (for other countries)</td> </tr> <tr> <td style="text-align: center;">ACTUAL TIME DISPLAY</td> <td>24 Hour notation</td> </tr> <tr> <td style="text-align: center;">PROGRAM DISPLAY</td> <td></td> </tr> </table> | | 24 Hour notation (for Europe) | | 24/12 Hour selectable notation (for other countries) | ACTUAL TIME DISPLAY | 24 Hour notation | PROGRAM DISPLAY | |
| | 24 Hour notation (for Europe) | | | | | | | | |
| | 24/12 Hour selectable notation (for other countries) | | | | | | | | |
| ACTUAL TIME DISPLAY | 24 Hour notation | | | | | | | | |
| PROGRAM DISPLAY | | | | | | | | | |
| TIMER SYSTEM | Weekly Type (Up to 4 programs) | | | | | | | | |
| TIME SET PERIOD | 1 min. to 24 hours | | | | | | | | |
| SLEEP TIME SET PERIOD | 1 min. to 99 min. | | | | | | | | |
| DISPLAY | FL Display | | | | | | | | |
| AC OUTLET | SWITCHED × 5 Total 200W max (for Europe except UK) SWITCHED × 2 Total 3 Amps max (for UK) Total 600W max (for other countries) | | | | | | | | |
| MEMORY BACK UP TIME FOR POWER FAILURE | More than 3 min. (The Battery use 006P, DC 9V) | | | | | | | | |
| POWER REQUIREMENT | 100V, 50/60 Hz for JPN 120V, 60 Hz for USA and Canada 220V, 50 Hz for Europe 240V, 50 Hz for UK 110V – 120V/220V – 24V, 50/60 Hz for other countries | | | | | | | | |
| POWER CONSUMPTION | U Model 15W | | | | | | | | |
| DIMENSIONS | 440 (W) × 63 (H) × 250 (D) mm (17.3 × 2.5 × 9.8 inches) | | | | | | | | |
| WEIGHT | 3 kg (8.8 lbs) | | | | | | | | |

3. Model DT-320

| | |
|---------------------------------------|-------------------------------------------------------------------------------------------------------------------------------------------------------|
| TIME ACCURACY | Within ± 15 sec./month (approx. 20°C) |
| TIME BASE | Quartz Oscillator |
| TIMER OPERATION ACCURACY | Within +0.02 sec. |
| TIMER DISPLAY | |
| ACTUAL TIME DISPLAY | 24 Hour notation (for Europe except UK) 24/12 Hour selectable notation (for other countries) |
| PROGRAM DISPLAY | 24 Hour notation |
| TIMER SYSTEM | Weekly Type (Up to 8 programs) |
| TIME SET PERIOD | 1 min. to 24 hours |
| SLEEP TIME SET PERIOD | 1 min. to 99 min. |
| DISPLAY | FL Display |
| AC OUTLET (SWITCHED) | A x1, B x1 and C x3 total 600W max. (for Europe except UK) A x2, B x2 and C x2 total 600W max. (for other countries) |
| MEMORY BACK UP TIME FOR POWER FAILURE | More than 30 min. (to change: more than 45 hours with the DT-320 turned on.) |
| POWER REQUIREMENT | 100V, 50/60 Hz for JPN 120V, 60 Hz for USA and Canada 220V, 50 Hz for Europe except UK 110V – 120V/220V – 240V, 50/60 Hz for other countries |
| POWER CONSUMPTION | U, C Model 15W |
| DIMENSIONS | 440 (W) x 63 (H) x 250 (D) mm (17.3 x 2.5 x 9.8 inches) |
| WEIGHT | 4 kg (8.8 lbs) |

II. CONTROLS

1. Model DT-110

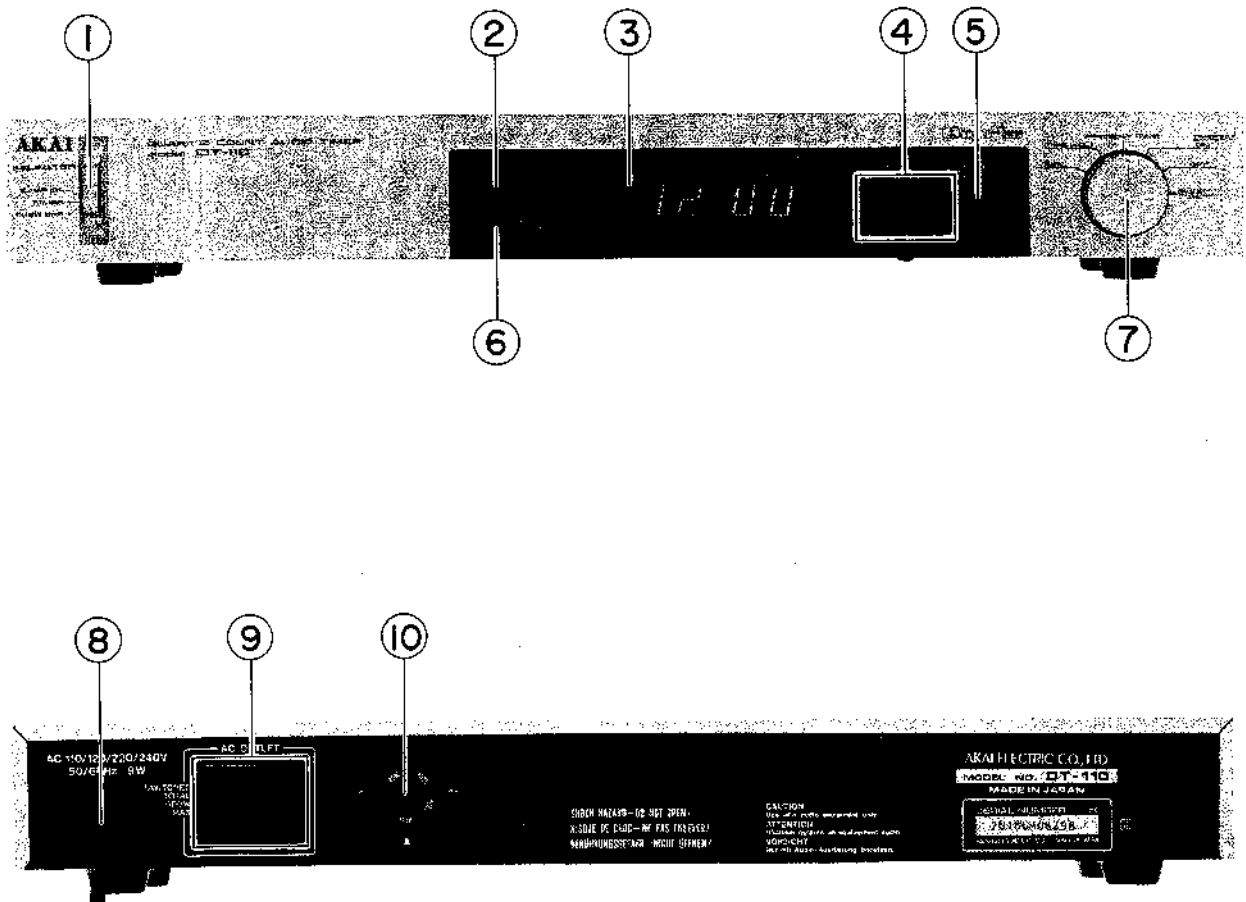


Fig. 1 Controls

1. AC OUTLET SELECTOR
2. AUTO DIMMER SENSOR
3. DIGITAL DISPLAY
4. TIME SETTING BUTTONS
5. RESET O'SEC BUTTON
6. AC OUTLET INDICATOR
7. DISPLAY SELECTOR
8. POWER CORD
9. AC OUTLETS
10. VOLTAGE SELECTOR (Not on some models)

2. Model DT-220

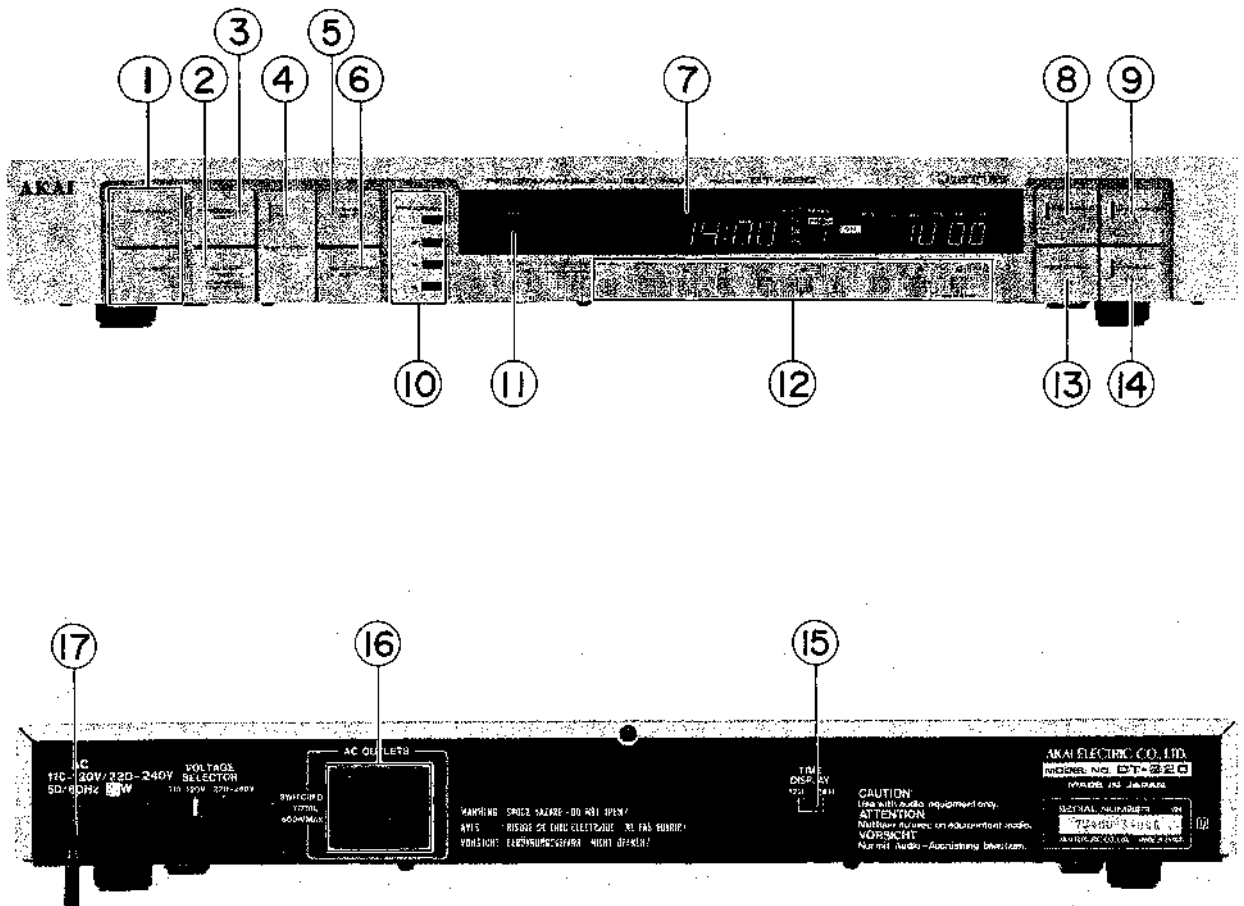


Fig. 2 Controls

- | | |
|-------------------------------|------------------------------|
| 1. AC OUTLET CONTROL KEY | 10. PROGRAM SELECT KEY (1~4) |
| 2. SLEEP SET/CANCEL KEY | 11. AUTO DIMMER SENSOR |
| 3. PROGRAM SET KEY | 12. PROGRAMING KEY |
| 4. STANDBY KEY and INDICATOR | 13. CANCEL KEY and INDICATOR |
| 5. TIME SET KEY | 14. REVERSE KEY |
| 6. SECOND SET KEY | 15. TIME DISPLAY SELECTOR |
| 7. FL DIGITAL DISPLAY | 16. AC OUTLET (Switched) |
| 8. FORWARD KEY and INDICATOR | 17. POWER CORD |
| 9. MEMORIZE KEY and INDICATOR | |

3. Model DT-320

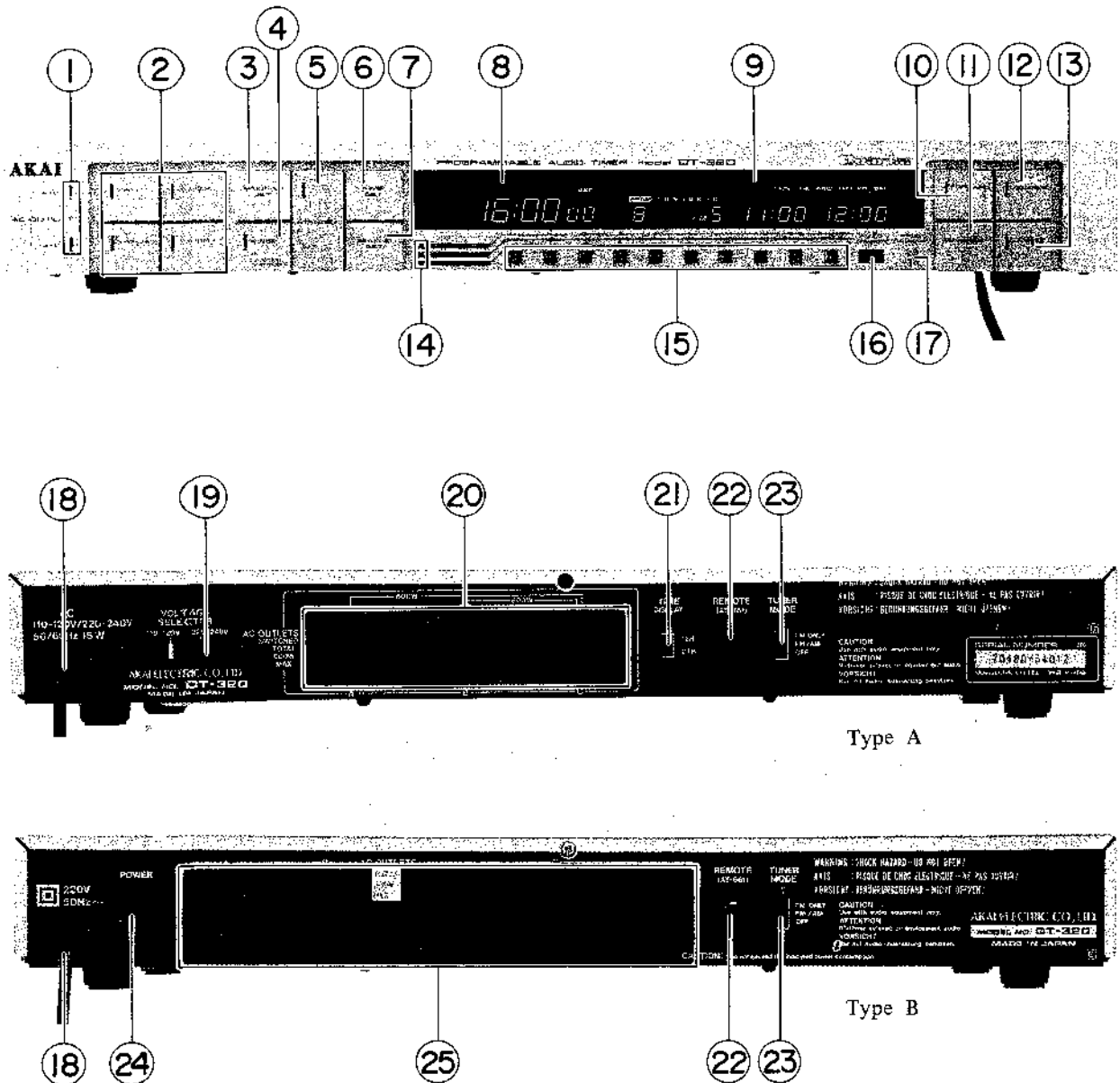


Fig. 3 Controls

1. AC OUTLET INDICATORS
2. AC OUTLET CONTROL BUTTONS with INDICATORS
3. PROGRAM SET BUTTON
4. SLEEP SET/CANCEL BUTTON with INDICATOR
5. STANDBY BUTTON with INDICATOR
6. TIME SET BUTTON
7. SECOND SET BUTTON
8. ACTUAL TIME DISPLAY
9. PROGRAM DISPLAY
10. FORWARD BUTTON with INDICATOR
11. REVERSE BUTTON
12. MEMORIZE BUTTON with INDICATOR
13. CANCEL BUTTON with INDICATOR
14. PROGRAMMING MODE INDICATORS

15. PROGRAMMING BUTTONS
16. AUTO DIMMER SENSOR
17. PROGRAM DISPLAY BUTTON

Type A Rear Panel

18. POWER CORD
19. VOLTAGE SELECTOR (not on some models)
20. A, B, and C AC OUTLETS (SWITCHED)
21. TIME DISPLAY SELECTOR
(Some models do not have this facility.)
22. REMOTE JACK
23. TUNER MODE SELECTOR

Type B Rear Panel

24. POWER SWITCH
25. A, B and C AC OUTLETS

III. CLOCK FREQUENCY ADJUSTMENT

1. Model DT-110

Connect an Frequency Counter of \oplus probe to TP1 and \ominus probe to TP2. Then adjust TC1 so that Frequency Counter reads 60 Hz.

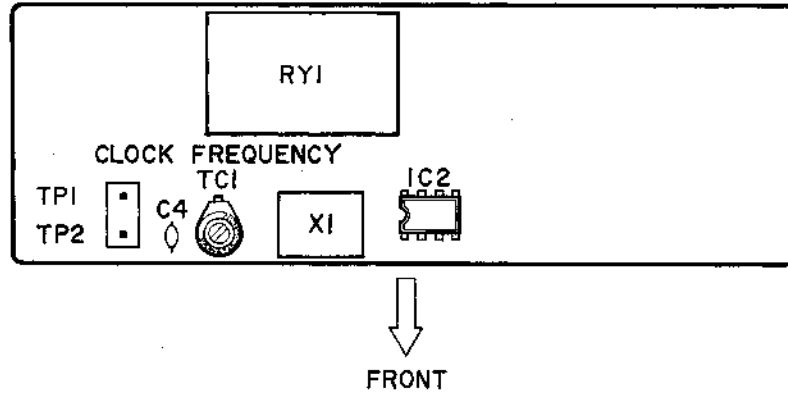


Fig. 4 PCB (1)

2. Model DT-220

Connect an Frequency Counter to TP and GND then adjust C9 so that Frequency Counter reads 349.42 kHz.

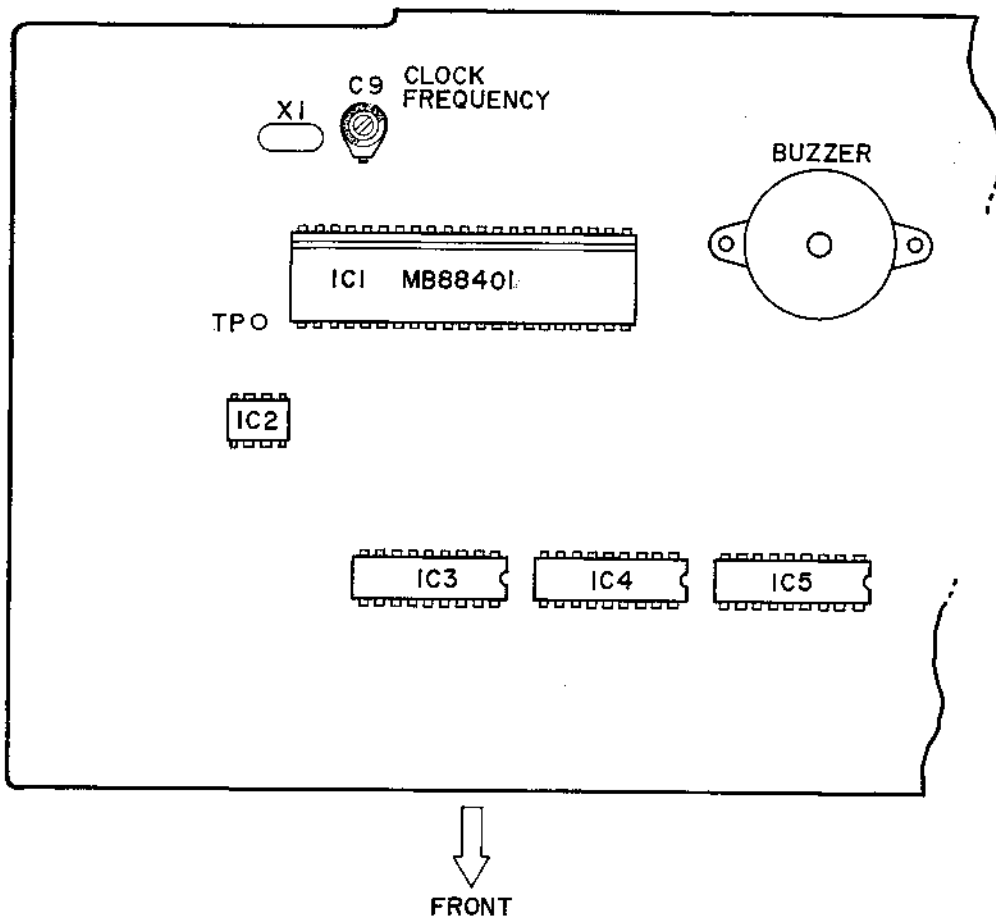


Fig. 5 Main PCB

3. Model DT-320

Connect an Frequency Counter to TP and GND
then adjust C11 so that Frequency Counter reads
2.096520 MHz.

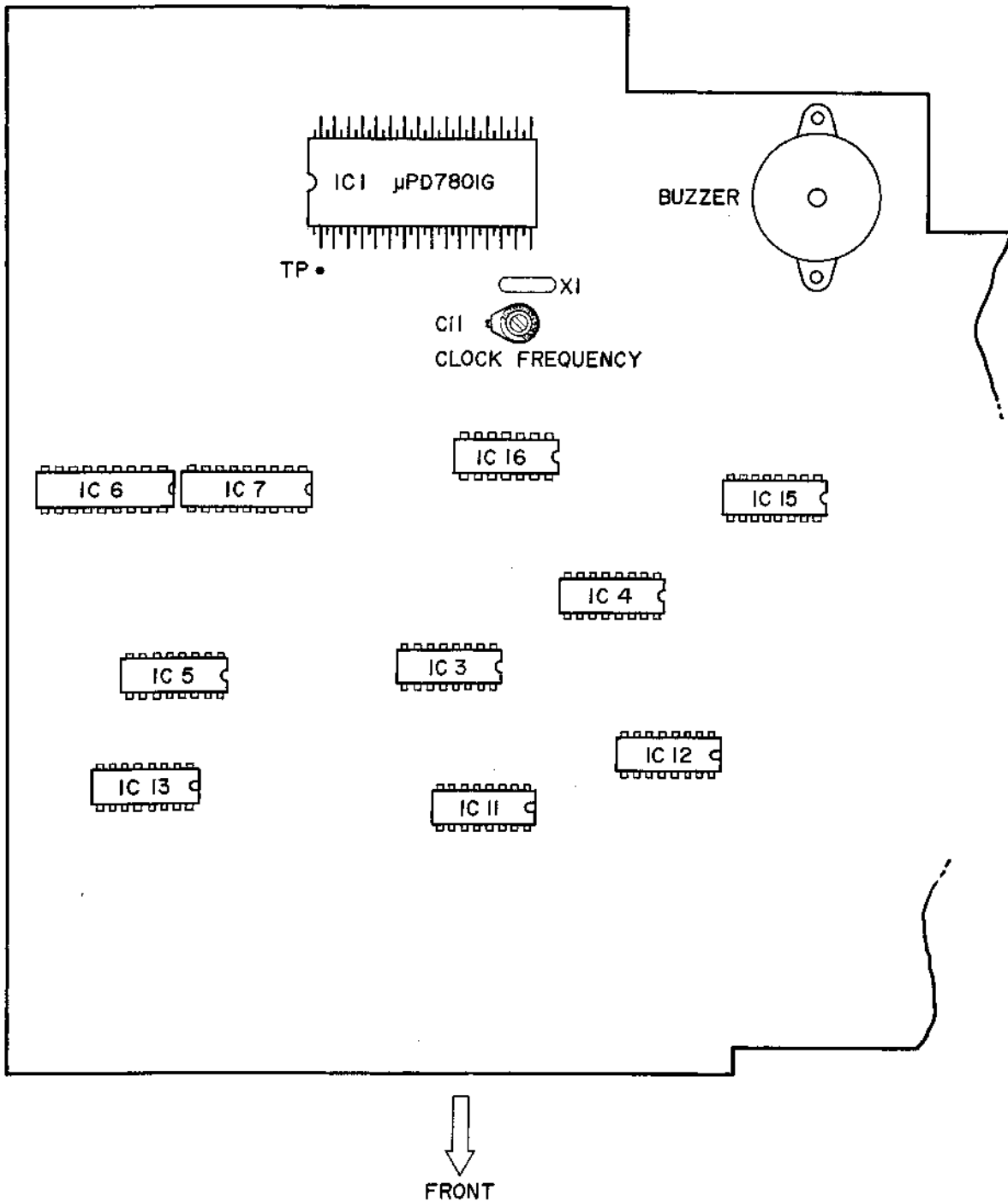
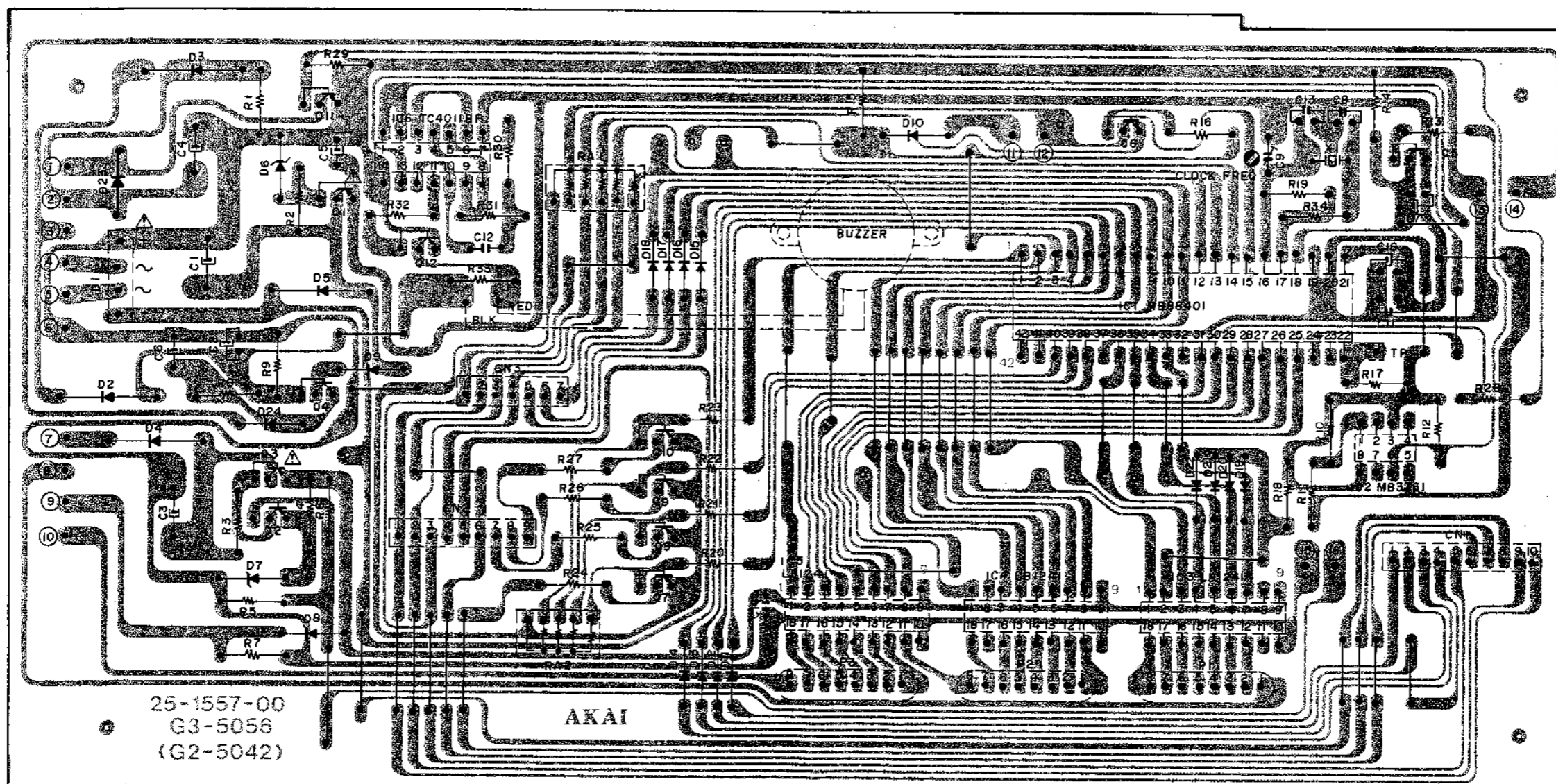
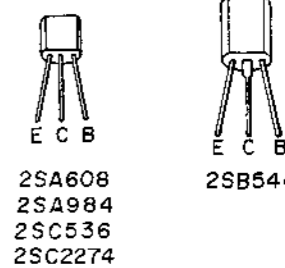
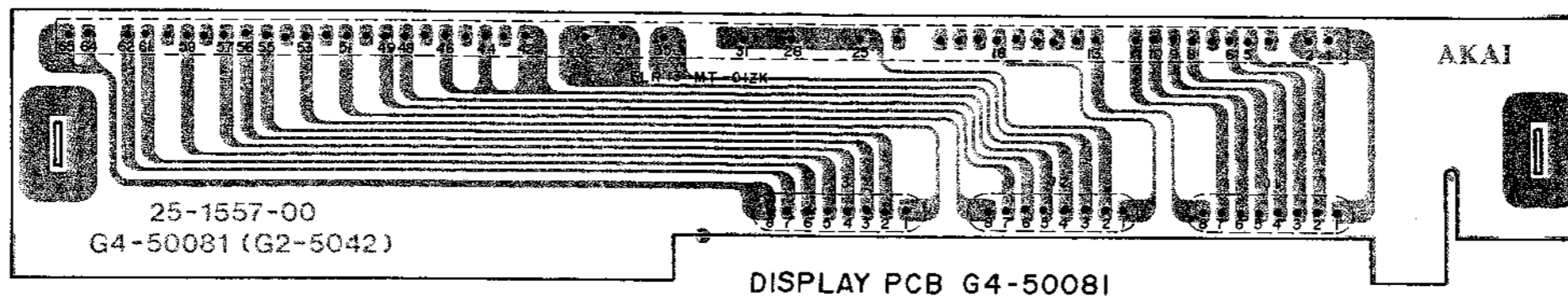


Fig. 6 Main PCB

2. MODEL DT-220

1) MAIN PCB G3-5056, DISPLAY PCB G4-50081

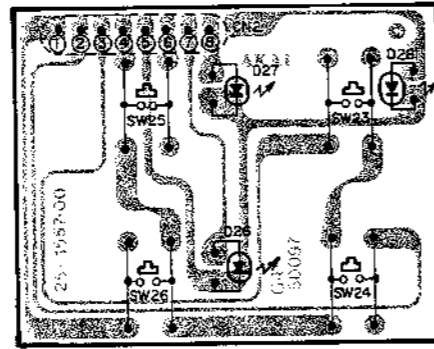


- Q1-- 2SB544
- Q2, 7 to 10, 12-- 2SA608
- Q3, 11-- 2SA984
- Q4 -- 2SC2274
- Q5, 6-- 2SC536

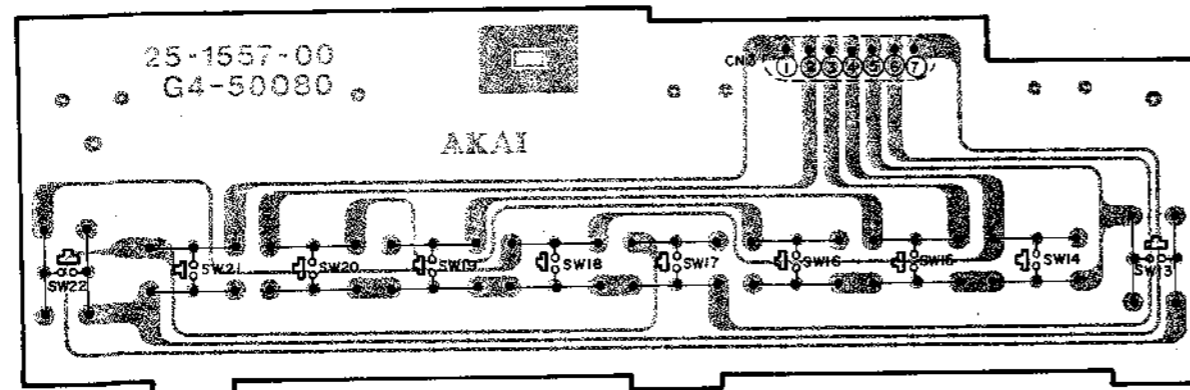
MAIN PCB G3-5056

WARNING: Δ INDICATES SAFETY CRITICAL COMPONENTS FOR CONTINUED SAFETY
 REPLACE SAFETY CRITICAL COMPONENTS ONLY WITH MANUFACTURER
 RECOMMENDED PARTS
 AVERTISSEMENT: Δ IL INDIQUE LES COMPOSANTS CRITIQUES DE SÉCURITÉ
 POUR MAINTENIR LE DEGRÉ DE SÉCURITÉ DE L'APPAREIL
 NE REMPLACER QUE DES PIÈCES RECOMMANDÉES PAR LE FABRICANT

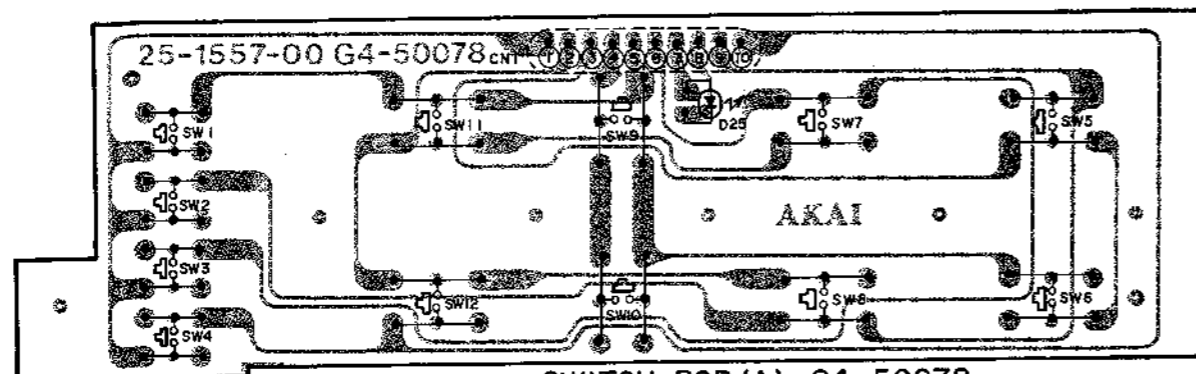
2) SWITCH PCB (A) G4-50078, SWITCH PCB (B) G4-50097, SWITCH PCB (C) G4-50080



SWITCH PCB (B) G4-50097

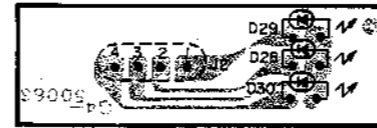


SWITCH PCB (C) G4-50080

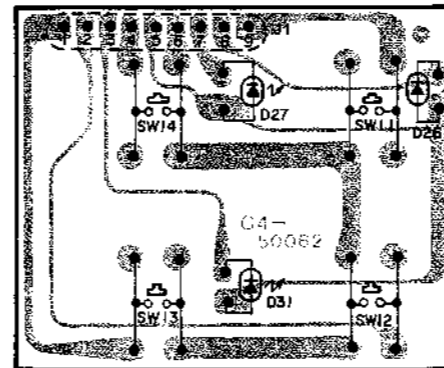


SWITCH PCB (A) G4-50078

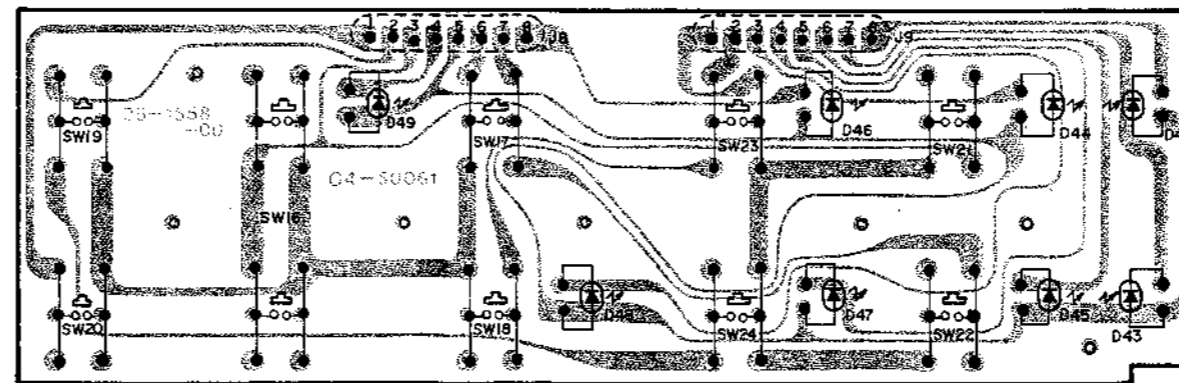
3) SWITCH PCB (A) G4-50061, SWITCH PCB (B) G4-50062, LED PCB G4-50063



LED PCB G4-50063



SWITCH PCB (B) G4-50062



SWITCH PCB (A) G4-50061

MEMO

MEMO

SECTION 2

PARTS LIST

TABLE OF CONTENTS

| | | |
|------|----------------------------|----|
| I. | MODEL DT-110 | |
| 1. | MAIN P.C BOARD BLOCK | 21 |
| 2. | ASSEMBLY BLOCK | 21 |
| 3. | FINAL ASSEMBLY BLOCK | 21 |
| II. | MODEL DT-220 | |
| 1. | MAIN P.C BOARD BLOCK | 22 |
| 2. | SWITCH (A) P.C BOARD BLOCK | 22 |
| 3. | SWITCH (B) P.C BOARD BLOCK | 22 |
| 4. | SWITCH (C) P.C BOARD BLOCK | 22 |
| 5. | ASSEMBLY BLOCK | 22 |
| 6. | FINAL ASSEMBLY BLOCK | 23 |
| III. | MODEL DT-320 | |
| 1. | MAIN P.C BOARD BLOCK | 24 |
| 2. | SWITCH (A) P.C BOARD BLOCK | 24 |
| 3. | SWITCH (B) P.C BOARD BLOCK | 24 |
| 4. | SWITCH (C) P.C BOARD BLOCK | 24 |
| 5. | LED P.C BOARD BLOCK | 24 |
| 6. | ASSEMBLY BLOCK | 25 |
| 7. | FINAL ASSEMBLY BLOCK | 25 |
| | INDEX | |
| 1. | MODEL DT-110 | 26 |
| 2. | MODEL DT-220 | 26 |
| 3. | MODEL DT-320 | 27 |

Resistor and Capacitor which is not listed in this parts list, please refer to COMMON LIST FOR SERVICE PARTS.

ATTENTION

When placing an order for parts, be sure to list the parts no., model no., and description. There are instances in which if any of this information is omitted, parts cannot be shipped or the wrong parts will be delivered. Please be careful not to make a mistake in the parts no. If the parts no. is in error, a part different from the one ordered may be delivered. Because parts number and parts unit supply in the Preliminary Parts List may be partially changed, please use this parts list for all future reference.

HOW TO USE THIS PARTS LIST

1. This Parts List shows the parts that are considered necessary for repairs. Other parts, such as resistors and capacitors, are shown in the "Common List for Service Parts". Select and order such parts from the "Common List for Service Parts".
2. The Recommended Spare Parts shows those parts in the Parts List which are considered particularly important for service.
3. Parts not shown in the Parts List and "Common List for Service Parts" will not be supplied in principle.
4. How to read list
 - a) Mechanism Block
 - b) P.C Board Block

2. HEAD BASE BLOCK

| REF. NO. | PARTS NO. | DESCRIPTION |
|----------|---------------|-------------------------|
| 2-1x | BH-T2023A320A | HEAD BASE BLOCK GX-F66R |
| 2-2 | HP-H2206A010A | HEAD R/P PR4-8FU C |
| 2-3 | ZS-477876 | PAN20x03STL CMT |
| 2-4 | ZS-536488 | BID20x08STL CMT |
| 2-5 | ZG-402895 | CS ANGLE ADJUST SPRING |

SP (Service Parts) Classification

A small "x" indicates the inability to show that particular part in the Photo or Illustration.

This number corresponds with the individual parts index number in that figure.

This number corresponds with the Figure Number

6. SYS. CON. P.C BOARD BLOCK

| REF. NO. | PARTS NO. | DESCRIPTION |
|-----------|---------------|---------------------------------|
| 6-1 | BA-T2034A070A | PC SYS CON BLK GX-F44R |
| 6-1C1 | EI-324536 | IC HD14049BP |
| 6-1C2 | EI-336801 | IC MB8841-564M |
| 6-1C3 | EI-331661 | IC SN7405N |
| 6-1C4 | EI-336725 | IC M54527P |
| 6-TR1to4 | ET-200985 | TR 2SC2603 F,G |
| 6-TR5to28 | ET-554657 | TR 2SA733A P,Q |
| 6-D1 | ED-318292 | D SILICON H 1S2473T-77 T26 |
| 6-D2to4 | ED-308952 | D GERMA V 1K34A-LR F07 |
| 6-D5to10 | ED-318292 | D SILICON H 1S2473T-77 T26 |
| 6-X1 | EI-318384 | OSC X'TAL NC-18C 3.579545MHZ |

SP (Service Parts) Classification

This reference numbers corresponds with symbol numbers of Schematic Diagrams.

5. Both the kind of part and installation position can be determined by the Parts Number. To determine where a parts number is listed, utilize Parts Index at end of Parts List. It is necessary first of all to find the Parts Number. This can be accomplished by using the Reference Number listed at right of parts number in the Parts Index.

WARNING

X INDICATES SAFETY CRITICAL COMPONENTS. FOR CONTINUED SAFETY, REPLACE SAFETY CRITICAL COMPONENTS ONLY WITH MANUFACTURER'S RECOMMENDED PARTS.

AVERTISSEMENT

X TU INDIQUE LES COMPOSANTS CRITIQUES DE SURETE POUR MAINTENIR LE DEGRE DE SECURITE DE L'APPAREIL. NE REMPLACER LES COMPOSANTS DONT LE FONCTIONNEMENT EST CRITIQUE POUR LA SECURITE QUE PAR DES PIECES RECOMMANDEES PAR LE FABRICANT.

I. MODEL DT-110

1. MAIN P.C BOARD BLOCK

| REF. NO. | PARTS NO. | DESCRIPTION |
|----------|-----------|---------------------------|
| 1-IC2 | EI-708670 | IC MN6093 |
| 1-TR2 | ET-308867 | TR 2SA1015 O,Y,GR |
| 1-D1,2 | ED-306724 | D SILICON S5277B 100/1.0A |
| 1-D3 | ED-708669 | D SILICON 1S2076A |
| 1-ZD1 | ED-706952 | D ZENER UZ-15B |
| 1-ZD2 | ED-314698 | D ZENER H UZ-6.2B |
| 1-TC1 | EC-706953 | C S-FIX |
| 1-X1 | EI-706958 | X'TAL HC-18/U |
| 1-RY1 | EP-708679 | Δ RELAY AR321173 (U,J) |
| 1-RY1 | EP-708681 | Δ RELAY AR32117 (C) |
| 1-RY1 | EP-708677 | Δ RELAY AR32118 (E,B,S) |
| 1-IC1 | EI-706955 | IC MN6076 |
| 1-TR1 | ET-706954 | TR 2SC1383NC |
| 1-D4 | ED-322772 | D LED SLP-155D-01 RED |
| 1-D5,6 | ED-708669 | D SILICON 1S2076A |
| 1-CDS | ET-706957 | PHOTO SENSOR MKY-76C |
| 1-S2 | ES-706960 | SW ROTARY SR26N 126-15 |
| 1-S3to6 | ES-708673 | SW TACT KHC-10901 |
| 1-FLT1 | EM-337179 | IND FL 5LT-04Z CHARACTER |
| 1-S1 | ES-708672 | SW SLIDE SSP04301S |
| 1-F1 | EF-708678 | Δ FUSE T-2.5A (E) |
| 1-F1 | EF-708683 | Δ FUSE T-3.15A (B) |

Symbol For Destination

U : Universal Area
 C : Canada
 J : Japan
 E : Europe
 B : UK
 S : Australia

2. ASSEMBLY BLOCK

| REF. NO. | PARTS NO. | DESCRIPTION |
|----------|-----------|-----------------------------------------------|
| 2-1 | BT-706965 | Δ TRANS POWER (U/T) (U) |
| 2-2 | BT-706964 | Δ TRANS POWER (J) |
| 2-3 | BT-708674 | Δ TRANS POWER CAT-35202CS (C) |
| 2-4 | BT-708675 | Δ TRANS POWER CAT-35202CE (E) |
| 2-5 | BT-708676 | Δ TRANS POWER CAT-35202SA (B,S) |
| 2-6 | EW-306428 | Δ AC CORD 2 CORES KP-205A, VFF J ((U)) |
| 2-7 | EW-306427 | Δ AC CORD 2 CORES KP-211, VFF J (J) |
| 2-8 | EW-305691 | Δ AC CORD 2 CORES KP-8, SPT-1 UC |
| 2-9 | EW-313882 | Δ AC CORD 2 CORES KP-419C, LTCE-2 F E (E) |
| 2-10 | EW-313884 | Δ AC CORD 2 CORES GTBS-2 F 24/0.20x2 B (B) |
| 2-11 | EW-201515 | Δ AC CORD 2 CORES KP-560, LTSA-2 F S (S) |
| 2-12 | EZ-706966 | CORD STOPPER (U,J,C) |
| 2-13 | EZ-706949 | CORD STOPPER (E,B,S) |
| 2-14 | EJ-343977 | Δ SOCKET OUTLET S2-724B-52 UJ 2x2P (U,J) |
| 2-15 | EJ-343979 | Δ SOCKET OUTLET S2-724B-02 C 2x2P (C) |
| 2-16 | EJ-343981 | Δ SOCKET OUTLET S2-792T-100 E 2P (E) |
| 2-17 | EJ-343982 | Δ SOCKET OUTLET CM-18 B 3P (B) |
| 2-18 | EJ-343983 | Δ SOCKET OUTLET CAT-100 S 3P (S) |
| 2-19 | ES-706968 | Δ SW SELECTOR (U) (SW7) |
| 2-20 | ES-708680 | Δ SW SELECTOR SDS3P (E) (SW8) |

Symbol For Destination

U : Universal Area
 C : Canada
 J : Japan
 E : Europe
 B : UK
 S : Australia

3. FINAL ASSEMBLY BLOCK

| REF. NO. | PARTS NO. | DESCRIPTION |
|----------|-----------|----------------------------|
| 3-1 | BD-710055 | PANEL FRONT BLK DT-110 |
| 3-2 | BD-710056 | PANEL FRONT-P BLK DT-110-P |
| 3-3 | BC-710048 | CABINET |
| 3-4 | BC-710049 | CABINET-P |
| 3-5 | SK-710050 | KNOB SLIDE |
| 3-6 | SK-710051 | KNOB SLIDE-P |
| 3-7 | SK-710052 | KNOB PUSH |
| 3-8 | SK-706974 | KNOB MODE |
| 3-9 | SK-710057 | KNOB MODE-P |
| 3-10 | SA-710053 | FOOT |
| 3-11 | ZS-416687 | BID40x08STL CMT |

Color Variation

NON : Silver
 P : Pearl Shadow

II. MODEL DT-220

1. MAIN P.C BOARD BLOCK

| REF. NO. | PARTS NO. | DESCRIPTION |
|----------|-----------|-----------------------------|
| 1-1 | BA-708833 | PC MAIN BLK DT-220 |
| 1-1C1 | EI-708834 | IC MB88401-160M |
| 1-1C2 | EI-708793 | IC MB3761 |
| 1-1C3to5 | EI-708835 | IC LB1241 |
| 1-1C6 | EI-304657 | IC TC4011BP |
| 1-Q1 | ET-299531 | Δ TR 2SB544MP E,F |
| 1-Q2 | ET-322778 | TR 2SA608K-NP E,F,G |
| 1-Q3 | ET-324134 | Δ TR 2SA984K E,F |
| 1-Q4 | ET-309353 | TR 2SC2274 E,F |
| 1-Q5,6 | ET-370607 | TR 2SC536NP F |
| 1-Q7to10 | ET-322778 | TR 2SA608K-NP E,F,G |
| 1-Q11 | ET-324134 | TR 2SA984K E,F |
| 1-Q12 | ET-322778 | TR 2SA608K-NP E,F,G |
| 1-D1 | ED-324912 | Δ D SILICON 1D4B41 200/1.0A |
| 1-D2to5 | ED-705986 | D SILICON ERB12-04 |
| 1-D6 | ED-700265 | D ZENER RD6.2EB2 |
| 1-D7 | ED-703903 | D ZENER RD15E B2 |
| 1-D8 | ED-708858 | D ZENER RD8.2EB2 |
| 1-D9to24 | ED-327057 | D SILICON H DS442X |
| 1-X1 | EI-708841 | OSC X'TAL 194304MHZ |
| 1-C3 | EC-325109 | C EC V CUT SM 102M 50DC |
| 1-C4 | EC-316188 | C EC V CUT SM 102 25DC |
| 1-C9 | EC-708837 | C S-FIX 1ZW 10x53N |
| 1-R19 | ER-708845 | R SD 105J |
| 1-RA1 | ER-708842 | R COMP 473x5 |
| 1-RA2 | ER-708843 | R COMP 103x4 |
| 1-2 | EZ-708808 | BUZZER |

2. SWITCH (A) P.C BOARD BLOCK

| REF. NO. | PARTS NO. | DESCRIPTION |
|-----------|-----------|-------------------|
| 2-D25 | ED-708771 | D LED GL-4PG2 GRN |
| 2-SW1to8 | ES-708769 | SW TACT |
| 2-SW9to12 | ES-708828 | SW TACT |

3. SWITCH (B) P.C BOARD BLOCK

| REF. NO. | PARTS NO. | DESCRIPTION |
|------------|-----------|--------------------|
| 3-D26 | ED-708770 | D LED GL-4PR92 RED |
| 3-D27,28 | ED-708771 | D LED GL-4PG2 GRN |
| 3-SW23to26 | ES-708769 | SW TACT |

4. SWITCH (C) P.C BOARD BLOCK

| REF. NO. | PARTS NO. | DESCRIPTION |
|-----------|-----------|-------------|
| 4-D13to22 | ES-708769 | SW TACT |

5. ASSEMBLY BLOCK

| REF. NO. | PARTS NO. | DESCRIPTION |
|--------------------------------|-----------|----------------------------------------------|
| DISPLAY P.C BOARD BLOCK | | |
| 5-1 | BA-708832 | PC IND FLD BLK DT-220 |
| ASSEMBLY BLOCK | | |
| 5-2 | BT-708818 | Δ TRANS POWER DT-220(J) |
| 5-3 | BT-708897 | Δ TRANS POWER DT-220(U) |
| 5-4 | BT-708899 | Δ TRANS POWER DT-220(E) |
| 5-5 | BT-708901 | Δ TRANS POWER DT-220(B) |
| 5-6 | EP-708819 | Δ RELAY |
| 5-7 | EF-708879 | Δ FUSE 250V T2.5A (E) |
| 5-8 | EF-708904 | Δ FUSE 250V T3.15A (B) |
| 5-9 | BZ-708821 | CDS BLK DT-220 |
| 5-10 | EZ-708839 | BATTERY SNAP 2P |
| 5-11 | SP-708820 | PANEL REAR DT-220(J) |
| 5-12 | SP-708896 | PANEL REAR DT-220(U) |
| 5-13 | SP-708900 | PANEL REAR DT-220(E) |
| 5-14 | SP-708902 | PANEL REAR DT-220(B) |
| 5-15 | EW-306427 | Δ AC CORD 2 CORES KP-211, VFF J (J) |
| 5-16 | EW-306428 | Δ AC CORD 2 CORES KP-205A, VFF J (U) |
| 5-17 | EW-313882 | Δ AC CORD 2 CORES KP-419C, LTCE-2FE (E) |
| 5-18 | EW-313884 | Δ AC CORD 2 CORES GTBS-2F 24/0.20x2 B (B) |
| 5-19 | EZ-708784 | STRAIN RELIEF |
| 5-20 | EJ-708764 | Δ SOCKET AC (J,U) |
| 5-21 | EJ-708876 | Δ SOCKET AC (E) |
| 5-22 | EJ-708903 | Δ SOCKET AC (B) |
| 5-23 | ES-708765 | SW SLIDE (SW27) |
| 5-24 | ES-708870 | SW SLIDE (VS1) |
| 5-25 | ES-708910 | Δ SW POWER (SW1) |
| 5-26 | EC-708844 | Δ C CE 103 125AC (J) |
| 5-27 | EC-708871 | Δ C CE 103 250AC (U) |
| 5-28 | EC-708880 | Δ C CE 103 250AC (E,B) |
| 5-29 | SA-708782 | FOOT MF |
| 5-30 | SZ-708831 | BATTERY COVER |

Symbol For Destination

U : Universal Area
J : Japan
E : Europe
B : UK

6. FINAL ASSEMBLY BLOCK

| REF. NO. | PARTS NO. | DESCRIPTION |
|----------|-----------|--------------------------|
| 6-1 | BD-708812 | PANEL FRONT BLK DT-220 |
| 6-2 | BD-708905 | PANEL FRONT BLK DT-220-P |
| 6-3 | SK-708814 | KNOB MANUAL |
| 6-4 | SK-708907 | KNOB MANUAL-P |
| 6-5 | SK-708815 | KNOB TIMER |
| 6-6 | SK-708908 | KNOB TIMER-P |
| 6-7 | SK-708754 | KNOB PROGRAM SET |
| 6-8 | SK-708890 | KNOB PROGRAM SET-P |
| 6-9 | SK-708813 | KNOB SLEEP SET |
| 6-10 | SK-708906 | KNOB SLEEP SET-P |
| 6-11 | SK-708758 | KNOB STANDBY |
| 6-12 | SK-708894 | KNOB STANDBY-P |
| 6-13 | SK-708755 | KNOB TIMER SET |
| 6-14 | SK-708891 | KNOB TIMER SET-P |
| 6-15 | SK-708756 | KNOB SECOND SET |
| 6-16 | SK-708892 | KNOB SECOND SET-P |
| 6-17 | SK-708751 | KNOB FOWARD |
| 6-18 | SK-708887 | KNOB FOWARD-P |
| 6-19 | SK-708757 | KNOB REVERSE |
| 6-20 | SK-708893 | KNOB REVERSE-P |
| 6-21 | SK-708752 | KNOB MEMORIZE |
| 6-22 | SK-708888 | KNOB MEMORIZE-P |
| 6-23 | SK-708753 | KNOB CANCEL |
| 6-24 | SK-708889 | KNOB CANCEL-P |
| 6-25 | SK-708817 | KNOB PGM |
| 6-26 | SK-708909 | KNOB PGH-P |
| 6-27 | SK-708759 | KNOB PRGM/DISPLAY |
| 6-28 | SK-708896 | KNOB PRGM/DISPLAY-P |
| 6-29 | SZ-708766 | STOPPER KNOB |
| 6-30 | ZG-708823 | SP KNOB (A) |
| 6-31 | ZG-708768 | SP KNOB (B) |
| 6-32 | SZ-708824 | STOPPER PGM KNOB |
| 6-33 | ZG-708825 | SP PGM KNOB |
| 6-34 | SP-708742 | CASE DT-320 |
| 6-35 | SP-708895 | CASE DT-320-P |
| 6-36 | ZS-316650 | PAN40x08STL NI3 |
| 6-37 | ZS-201778 | PAN40x08STL BNI |
| 6-38 | ZS-609208 | T2PAN30x08STL BNI |

Color Variation

NON : Silver
P : Pearl Shadow

III. MODEL DT-320

1. MAIN P.C BOARD BLOCK

| REF. NO. | PARTS NO. | DESCRIPTION |
|------------|-----------|------------------------------------|
| 1-1 | BA-708787 | PC MAIN BLK DT-320 |
| 1-IC1 | EI-708788 | IC μ PD7801G |
| 1-IC2 | EI-708790 | IC TC4515BP |
| 1-IC3to5 | EI-708789 | IC TC40H174BP |
| 1-IC6to9 | EI-336794 | IC LB1240 |
| 1-IC10to13 | EI-708791 | IC M54519P |
| 1-IC14 | EI-304657 | IC TC4011BP |
| 1-IC15 | EI-330391 | IC TC4050BP |
| 1-IC16 | EI-708792 | IC TC4584BP |
| 1-IC17 | EI-708793 | IC MB3761 |
| 1-Q1 | ET-708795 | Δ TR 2SC2078 D,E |
| 1-Q2 | ET-356984 | TR 2SA564 R |
| 1-Q3 | ET-708796 | TR 2SC828A E |
| 1-Q4 | ET-324134 | Δ TR 2SA984K E,F |
| 1-Q5 | ET-705981 | TR 2SC945 P |
| 1-Q6 | ET-300044 | TR 2SC2001 L |
| 1-Q7 | ET-332349 | TR 2SD826 E,F,G |
| 1-Q8 | ET-356984 | TR 2SA564 R |
| 1-Q9 | ET-319241 | TR 2SC1815 Y |
| 1-Q10 | ET-356984 | TR 2SA564 R |
| 1-Q11 | ET-319241 | TR 2SC1815 Y |
| 1-Q12,13 | ET-708796 | TR 2SC828A E |
| 1-Q14 | ET-356984 | TR 2SA564 R |
| 1-D1 | ED-324912 | Δ D SILICON 1D4B41 200/1.0A |
| 1-D2 | ED-705986 | D SILICON ERB12-04 |
| 1-D3 | ED-708797 | D ZENER RD6.2EB1 |
| 1-D4 | ED-705986 | D SILICON ERB12-04 |
| 1-D5 | ED-708798 | D ZENER RD9.1EB1 |
| 1-D6 | ED-700265 | D ZENER RD6.2EB2 |
| 1-D7 | ED-708799 | D SILICON ERA-81-004 |
| 1-D8 | ED-708800 | D ZENER RDJ5.1B3 |
| 1-D9to25 | ED-327057 | D SILICON H DS442X |
| 1-L1 | BT-708801 | TRANS |
| 1-X1 | EI-708802 | OSC X'TAL 4.19430MHZ |
| 1-R17 | ER-333013 | R OMF H SNP FS 2W 3R9J |
| 1-RA1 | ER-708806 | R COMP 473x5 |
| 1-RA3 | ER-708806 | R COMP 473x5 |
| 1-RA4 | ER-708807 | R COMP 473x4 |
| 1-C1 | EC-322804 | C EC V CUT SM 472M 16.0DC |
| 1-C4 | EC-316231 | C EC V CUT SM 222M 35.0DC |
| 1-C5 | EC-323847 | C EC V CUT SM 102M 35.0DC |
| 1-C11 | EC-708804 | C S-FIX 200 |
| 1-C14 | EC-708803 | C TT 2R2M 16DC |
| 1-2 | EZ-708808 | BUZZER |

2. SWITCH (A) P.C BOARD BLOCK

| REF. NO. | PARTS NO. | DESCRIPTION |
|------------|-----------|--------------------|
| 2-D42,43 | ED-708770 | D LED GL-4PR92 RED |
| 2-D44to49 | ED-708771 | D LED GL-4PG2 GRN |
| 2-SW16to24 | ES-708769 | SW TACT |

3. SWITCH (B) P.C BOARD BLOCK

| REF. NO. | PARTS NO. | DESCRIPTION |
|------------|-----------|--------------------|
| 3-D26,27 | ED-708771 | D LED GL-4PG2 GRN |
| 3-D31 | ED-708770 | D LED GL-4PR92 RED |
| 3-SW11to14 | ES-708769 | SW TACT |

4. SWITCH (C) P.C BOARD BLOCK

| REF. NO. | PARTS NO. | DESCRIPTION |
|-----------|-----------|-------------------|
| 4-D32to41 | ED-708779 | D LED GL-5PG5 GRN |
| 4-SW1to10 | ES-708769 | SW TACT |
| 4-SW15 | ES-708769 | SW TACT |

5. LED P.C BOARD BLOCK

| REF. NO. | PARTS NO. | DESCRIPTION |
|-----------|-----------|---------------|
| 5-D28to30 | ED-701084 | D LED GL-9HY2 |

6. ASSEMBLY BLOCK

| REF. NO. | PARTS NO. | DESCRIPTION |
|--------------------------------|-----------|-------------------------------------------|
| DISPLAY P.C BOARD BLOCK | | |
| 6-1 | BA-708780 | PC IND FLD BLK DT-320 |
| ASSEMBLY BLOCK | | |
| 6-2 | BT-708760 | Δ TRANS POWER DT-320(J) |
| 6-3 | BT-708868 | Δ TRANS POWER DT-320(U) |
| 6-4 | BT-708872 | Δ TRANS POWER DT-320(E) |
| 6-5 | EP-708762 | Δ RELAY G4W-22125-A (J,U) |
| 6-6 | EP-708874 | Δ RELAY (E) |
| 6-7 | AX-708781 | BATTERY |
| 6-8 | ED-708777 | CDS |
| 6-9 | SP-708763 | PANEL REAR DT-320(J) |
| 6-10 | SP-708869 | PANEL REAR DT-320(U) |
| 6-11 | SP-708875 | PANEL REAR DT-320(E) |
| 6-12 | EW-306427 | AC CORD 2 CORES KP-211,VFF J (J) |
| 6-13 | EW-306428 | AC CORD 2 CORES KP-205A,VFF J(U) |
| 6-14 | EW-313882 | AC CORD 2 CORES KP-419C, LTCE-2F E (E) |
| 6-15 | EZ-708784 | STRAIN RELIEF |
| 6-16 | EJ-708764 | Δ SOCKET AC (J,U) |
| 6-17 | EJ-708876 | Δ SOCKET AC (E) |
| 6-18 | ES-708765 | SW SLIDE (J,U)(SW25) |
| 6-19 | ES-708870 | SW SLIDE (VS1) |
| 6-20 | ES-708878 | Δ SW POWER (SW1)(E) |
| 6-21 | ES-708786 | SW SLIDE (TUNER MODE)(SW26) |
| 6-22 | EJ-708785 | DIN J |
| 6-23 | EF-708879 | Δ FUSE 250V T2.5A (E) |
| 6-24 | EC-708844 | Δ C CE 103 125AC (J) |
| 6-25 | EC-708871 | Δ C CE 103 250AC (U) |
| 6-26 | EC-708880 | Δ C CE 103 250AC (E) |
| 6-27 | SA-708782 | FOOT MF |

Symbol for Destination

U : Universal Area
J : Japan
E : Europe

7. FINAL ASSEMBLY BLOCK

| REF. NO. | PARTS NO. | DESCRIPTION |
|----------|-----------|--------------------------|
| 7-1 | BD-708743 | PANEL FRONT BLK DT-320 |
| 7-2 | BD-708881 | PANEL FRONT BLK DT-320-P |
| 7-3 | SK-708744 | KNOB MANUAL (A+C) |
| 7-4 | SK-708882 | KNOB MANUAL (A+C)-P |
| 7-5 | SK-708745 | KNOB MANUAL (B+C) |
| 7-6 | SK-708883 | KNOB MANUAL (B+C)-P |
| 7-7 | SK-708746 | KNOB TIMER (A+C) |
| 7-8 | SK-708884 | KNOB TIMER (A+C)-P |
| 7-9 | SK-708747 | KNOB TIMER (B+C) |
| 7-10 | SK-708885 | KNOB TIMER (B+C)-P |
| 7-11 | SK-708754 | KNOB PROGRAM SET |
| 7-12 | SK-708890 | KNOB PROGRAM SET-P |
| 7-13 | SK-708749 | KNOB SLEEP (B+C) |
| 7-14 | SK-708886 | KNOB SLEEP (B+C)-P |
| 7-15 | SK-708758 | KNOB STANDBY |
| 7-16 | SK-708894 | KNOB STANDBY-P |
| 7-17 | SK-708755 | KNOB TIMER SET |
| 7-18 | SK-708891 | KNOB TIMER SET-P |
| 7-19 | SK-708756 | KNOB SECOND SET |
| 7-20 | SK-708892 | KNOB SECOND SET-P |
| 7-21 | SK-708751 | KNOB FOWARD |
| 7-22 | SK-708887 | KNOB FOWARD-P |
| 7-23 | SK-708757 | KNOB REVERSE |
| 7-24 | SK-708893 | KNOB REVERSE-P |
| 7-25 | SK-708752 | KNOB MEMORIZE |
| 7-26 | SK-708888 | KNOB MEMORIZE-P |
| 7-27 | SK-708753 | KNOB CANCEL |
| 7-28 | SK-708889 | KNOB CANCEL-P |
| 7-29 | SK-708759 | KNOB PRGM/DISPLAY |
| 7-30 | SK-708896 | KNOB PRGM/DISPLAY-P |
| 7-31 | SK-708778 | KNOB TIME/PRGM |
| 7-32 | SZ-708776 | CDS WINDOW |
| 7-33 | SZ-708766 | STOPPER KNOB |
| 7-34 | ZG-708767 | SP KNOB (A) |
| 7-35 | ZG-708768 | SP KNOB (B) |
| 7-36 | SP-708742 | CASE DT-320 |
| 7-37 | SP-708895 | CASE DT-320-P |
| 7-38 | ZS-316650 | PAN40x08STL NI3 |
| 7-39 | ZS-201778 | PAN40x08STL BNI |
| 7-40 | ZS-609208 | T2PAN30x08STL BNI |
| 7-41 | EW-708810 | CORD DIN |

Color Variation

NON : Silver
P : Pearl Shadow

INDEX

1. MODEL DT-110

| PARTS NO. | REF. NO. | PARTS NO. | REF. NO. | PARTS NO. | REF. NO. | PARTS NO. | REF. NO. |
|-----------|----------|-----------|----------|-----------|----------|-----------|----------|
| BC-710048 | 3-3 | EI-708670 | 1-IC2 | EW-306427 | 2-7 | | |
| BC-710049 | 3-4 | EJ-343977 | 2-14 | EW-306428 | 2-6 | | |
| BD-710055 | 3-1 | EJ-343979 | 2-15 | EW-313882 | 2-9 | | |
| BD-710056 | 3-2 | EJ-343981 | 2-16 | EW-313884 | 2-10 | | |
| BT-706964 | 2-2 | EJ-343982 | 2-17 | EZ-706949 | 2-13 | | |
| BT-706965 | 2-1 | EJ-343983 | 2-18 | EZ-706966 | 2-12 | | |
| BT-708674 | 2-3 | EM-337179 | 1-FLT1 | SA-710053 | 3-10 | | |
| BT-708675 | 2-4 | EP-708677 | 1-RY1 | SK-706974 | 3-8 | | |
| BT-708676 | 2-5 | EP-708679 | 1-RY1 | SK-710050 | 3-5 | | |
| EC-706953 | 1-TC1 | EP-708681 | 1-RY1 | SK-710051 | 3-6 | | |
| ED-306724 | 1-D1,2 | ES-706960 | 1-S2 | SK-710052 | 3-7 | | |
| ED-314698 | 1-ZD2 | ES-706968 | 2-19 | SK-710057 | 3-9 | | |
| ED-322772 | 1-D4 | ES-708672 | 1-S1 | ZS-416687 | 3-11 | | |
| ED-706952 | 1-ZD1 | ES-708673 | 1-S3to6 | | | | |
| ED-708669 | 1-D3 | ES-708680 | 2-20 | | | | |
| ED-708669 | 1-D5,6 | ET-308867 | 1-TR2 | | | | |
| EF-708678 | 1-F1 | ET-706954 | 1-TR1 | | | | |
| EF-708683 | 1-F1 | ET-706957 | 1-CDS | | | | |
| EI-706955 | 1-IC1 | EW-201515 | 2-11 | | | | |
| EI-706958 | 1-X1 | EW-305691 | 2-8 | | | | |

2. MODEL DT-220

| PARTS NO. | REF. NO. | PARTS NO. | REF. NO. | PARTS NO. | REF. NO. | PARTS NO. | REF. NO. |
|-----------|----------|-----------|------------|-----------|----------|-----------|----------|
| BA-708832 | 5-1 | EI-708841 | 1-X1 | SA-708782 | 5-29 | SP-708898 | 5-12 |
| BA-708833 | 1-1 | EJ-708764 | 5-20 | SK-708751 | 6-17 | SP-708900 | 5-13 |
| BD-708812 | 6-1 | EJ-708876 | 5-21 | SK-708752 | 6-21 | SP-708902 | 5-14 |
| BD-708905 | 6-2 | EJ-708903 | 5-22 | SK-708753 | 6-23 | SZ-708766 | 6-29 |
| BT-708818 | 5-2 | EP-708819 | 5-6 | SK-708754 | 6-7 | SZ-708824 | 6-32 |
| BT-708897 | 5-3 | ER-708842 | 1-RA1 | SK-708755 | 6-13 | SZ-708831 | 5-30 |
| BT-708899 | 5-4 | ER-708843 | 1-RA2 | SK-708756 | 6-15 | ZG-708768 | 6-31 |
| BT-708901 | 5-5 | ER-708845 | 1-R19 | SK-708757 | 6-19 | ZG-708823 | 6-30 |
| BZ-708821 | 5-9 | ES-708765 | 5-23 | SK-708758 | 6-11 | ZG-708825 | 6-33 |
| EC-316188 | 1-C4 | ES-708769 | 2-SW1to8 | SK-708759 | 6-27 | ZS-201778 | 6-37 |
| EC-325109 | 1-C3 | ES-708769 | 3-SW23to26 | SK-708813 | 6-9 | ZS-316650 | 6-36 |
| EC-708837 | 1-C9 | ES-708769 | 4-D13to22 | SK-708814 | 6-3 | ZS-609208 | 6-38 |
| EC-708844 | 5-26 | ES-708828 | 2-SW9to12 | SK-708815 | 6-5 | | |
| EC-708871 | 5-27 | ES-708870 | 5-24 | SK-708817 | 6-25 | | |
| EC-708880 | 5-28 | ES-708910 | 5-25 | SK-708887 | 6-18 | | |
| ED-324912 | 1-D1 | ET-299531 | 1-Q1 | SK-708888 | 6-22 | | |
| ED-327057 | 1-D9to24 | ET-309353 | 1-Q4 | SK-708889 | 6-24 | | |
| ED-700265 | 1-D6 | ET-322778 | 1-Q2 | SK-708890 | 6-8 | | |
| ED-703903 | 1-D7 | ET-322778 | 1-Q7to10 | SK-708891 | 6-14 | | |
| ED-705986 | 1-D2to5 | ET-322778 | 1-Q12 | SK-708892 | 6-16 | | |
| ED-708770 | 3-D26 | ET-324134 | 1-Q3 | SK-708893 | 6-20 | | |
| ED-708771 | 2-D25 | ET-324134 | 1-Q11 | SK-708894 | 6-12 | | |
| ED-708771 | 3-D27,28 | ET-370607 | 1-Q5,6 | SK-708896 | 6-28 | | |
| ED-708858 | 1-D8 | EW-306427 | 5-15 | SK-708906 | 6-10 | | |
| EF-708879 | 5-7 | EW-306428 | 5-16 | SK-708907 | 6-4 | | |
| EF-708904 | 5-8 | EW-313882 | 5-17 | SK-708908 | 6-6 | | |
| EI-304657 | 1-IC6 | EW-313884 | 5-18 | SK-708909 | 6-26 | | |
| EI-708793 | 1-IC2 | EZ-708784 | 5-19 | SP-708742 | 6-34 | | |
| EI-708834 | 1-IC1 | EZ-708808 | 1-2 | SP-708820 | 5-11 | | |
| EI-708835 | 1-IC3to5 | EZ-708839 | 5-10 | SP-708895 | 6-35 | | |

INDEX

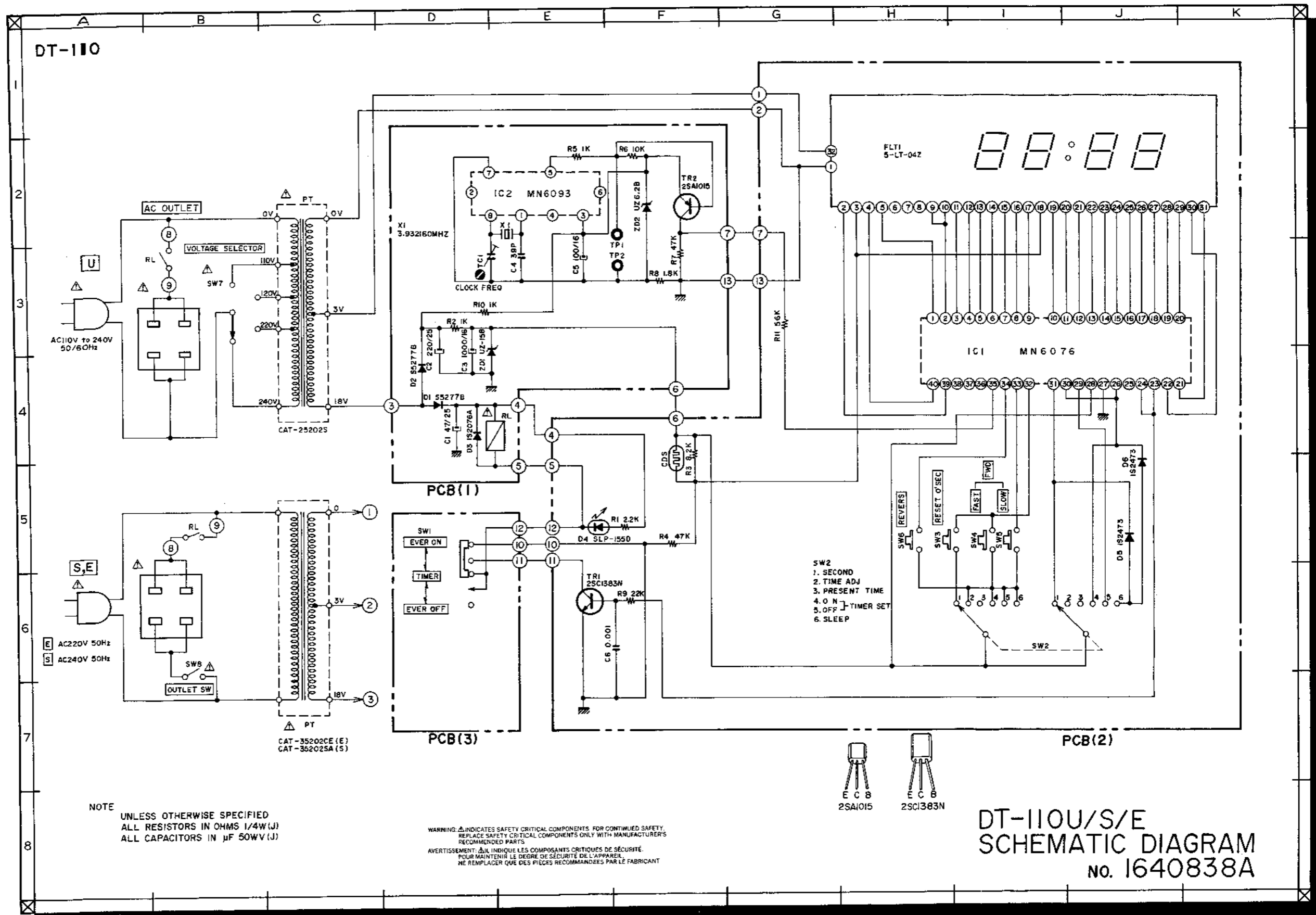
3. MODEL DT-320

| PARTS NO. | REF. NO. | PARTS NO. | REF. NO. | PARTS NO. | REF. NO. | PARTS NO. | REF. NO. |
|-----------|-----------|-----------|------------|-----------|----------|-----------|----------|
| AX-708781 | 6-7 | EI-708791 | 1-IC10to13 | SA-708782 | 6-27 | ZS-316650 | 7-38 |
| BA-708780 | 6-1 | EI-708792 | 1-IC16 | SK-708744 | 7-3 | ZS-609208 | 7-40 |
| BA-708787 | 1-1 | EI-708793 | 1-IC17 | SK-708745 | 7-5 | | |
| BD-708743 | 7-1 | EI-708802 | 1-X1 | SK-708746 | 7-7 | | |
| BD-708881 | 7-2 | EJ-708764 | 6-16 | SK-708747 | 7-9 | | |
| BT-708760 | 6-2 | EJ-708785 | 6-22 | SK-708749 | 7-13 | | |
| BT-708801 | 1-L1 | EJ-708876 | 6-17 | SK-708751 | 7-21 | | |
| BT-708868 | 6-3 | EP-708762 | 6-5 | SK-708752 | 7-25 | | |
| BT-708872 | 6-4 | EP-708874 | 6-6 | SK-708753 | 7-27 | | |
| EC-316231 | 1-C4 | ER-333013 | 1-R17 | SK-708754 | 7-11 | | |
| EC-322804 | 1-C1 | ER-708806 | 1-RA1 | SK-708755 | 7-17 | | |
| EC-323847 | 1-C5 | ER-708806 | 1-RA3 | SK-708756 | 7-19 | | |
| EC-708803 | 1-C14 | ER-708807 | 1-RA4 | SK-708757 | 7-23 | | |
| EC-708804 | 1-C11 | ES-708765 | 6-18 | SK-708758 | 7-15 | | |
| EC-708844 | 6-24 | ES-708769 | 2-SW16to24 | SK-708759 | 7-29 | | |
| EC-708871 | 6-25 | ES-708769 | 3-SW11to14 | SK-708778 | 7-31 | | |
| EC-708880 | 6-26 | ES-708769 | 4-SW1to10 | SK-708882 | 7-4 | | |
| ED-324912 | 1-D1 | ES-708769 | 4-SW15 | SK-708883 | 7-6 | | |
| ED-327057 | 1-D9to25 | ES-708786 | 6-21 | SK-708884 | 7-8 | | |
| ED-700265 | 1-D6 | ES-708870 | 6-19 | SK-708885 | 7-10 | | |
| ED-701084 | 5-D28to30 | ES-708878 | 6-20 | SK-708886 | 7-14 | | |
| ED-705986 | 1-D2 | ET-300044 | 1-Q6 | SK-708887 | 7-22 | | |
| ED-705986 | 1-D4 | ET-319241 | 1-Q9 | SK-708888 | 7-26 | | |
| ED-708770 | 2-D42,43 | ET-319241 | 1-Q11 | SK-708889 | 7-28 | | |
| ED-708770 | 3-D31 | ET-324134 | 1-Q4 | SK-708890 | 7-12 | | |
| ED-708771 | 2-D44to49 | ET-332349 | 1-Q7 | SK-708891 | 7-18 | | |
| ED-708771 | 3-D26,27 | ET-356984 | 1-Q2 | SK-708892 | 7-20 | | |
| ED-708777 | 6-8 | ET-356984 | 1-Q8 | SK-708893 | 7-24 | | |
| ED-708779 | 4-D32to41 | ET-356984 | 1-Q10 | SK-708894 | 7-16 | | |
| ED-708797 | 1-D3 | ET-356984 | 1-Q14 | SK-708896 | 7-30 | | |
| ED-708798 | 1-D5 | ET-705981 | 1-Q5 | SP-708742 | 7-36 | | |
| ED-708799 | 1-D7 | ET-708795 | 1-Q1 | SP-708763 | 6-9 | | |
| ED-708800 | 1-D8 | ET-708796 | 1-Q3 | SP-708869 | 6-10 | | |
| EF-708879 | 6-23 | ET-708796 | 1-Q12,13 | SP-708875 | 6-11 | | |
| EI-304657 | 1-IC14 | EW-306427 | 6-12 | SP-708895 | 7-37 | | |
| EI-330391 | 1-IC15 | EW-306428 | 6-13 | SZ-708766 | 7-33 | | |
| EI-336794 | 1-IC6to9 | EW-313882 | 6-14 | SZ-708776 | 7-32 | | |
| EI-708788 | 1-IC1 | EW-708810 | 7-41 | ZG-708767 | 7-34 | | |
| EI-708789 | 1-IC3to5 | EZ-708784 | 6-15 | ZG-708768 | 7-35 | | |
| EI-708790 | 1-IC2 | EZ-708808 | 1-2 | ZS-201778 | 7-39 | | |

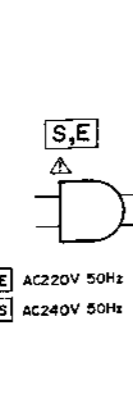
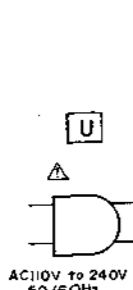
SECTION 3

SCHEMATIC DIAGRAM

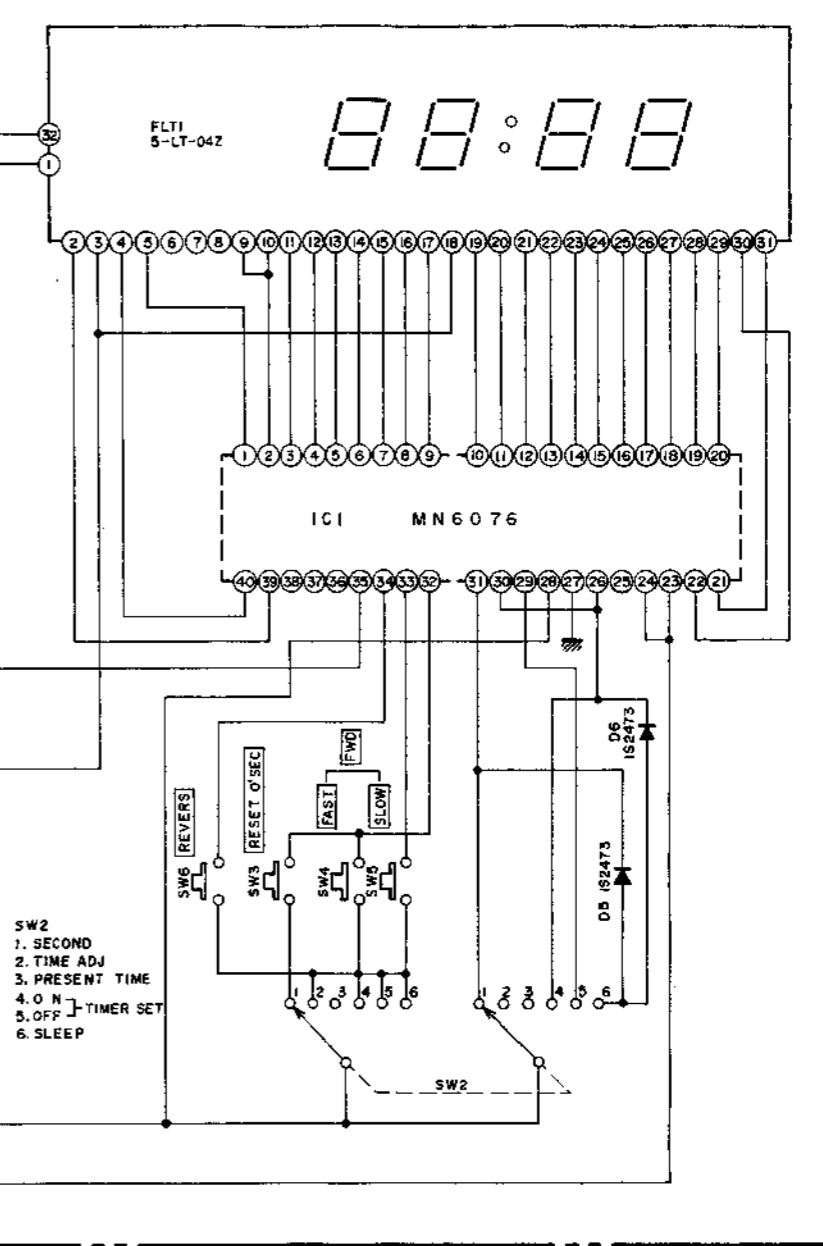
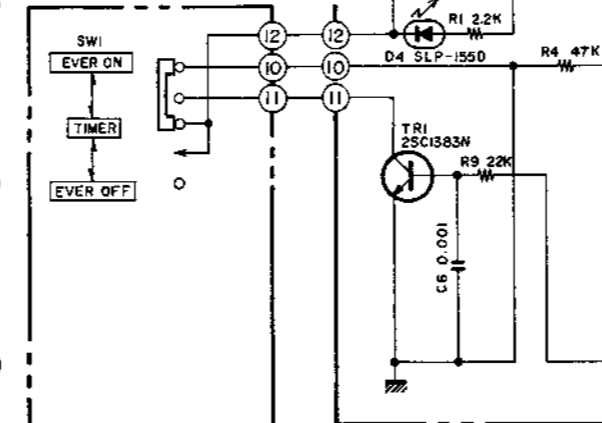
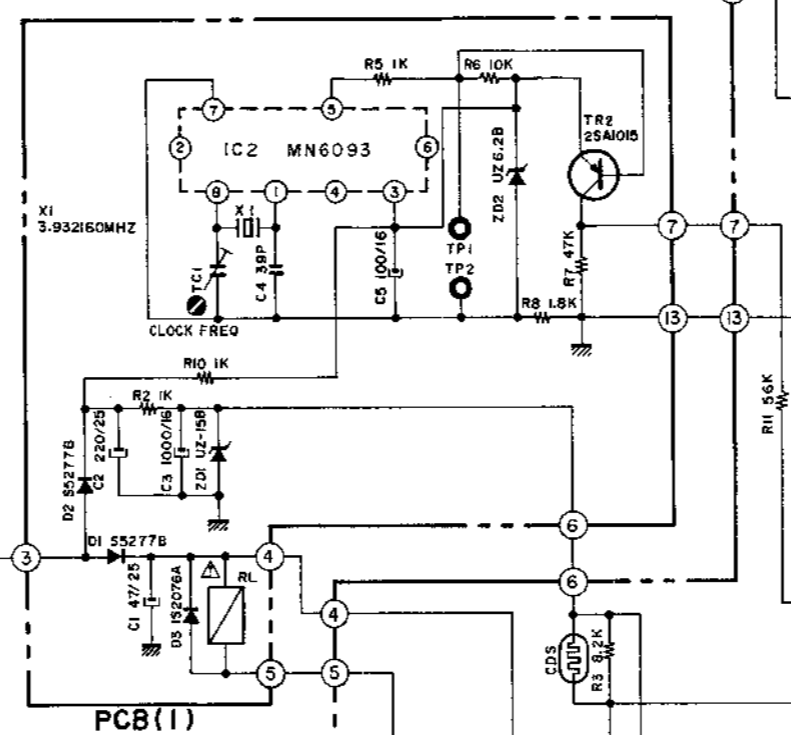
1. DT-110U/S/E NO. 1640838A SCHEMATIC DIAGRAM 29
2. DT-110J/C NO. 1641430A SCHEMATIC DIAGRAM 30
3. DT-220 NO. 1641432A SCHEMATIC DIAGRAM 31
4. DT-320 NO. 1641434A SCHEMATIC DIAGRAM 32



DT-110

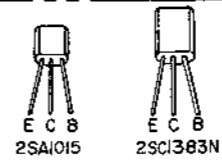


AC220V 50Hz
AC240V 50Hz

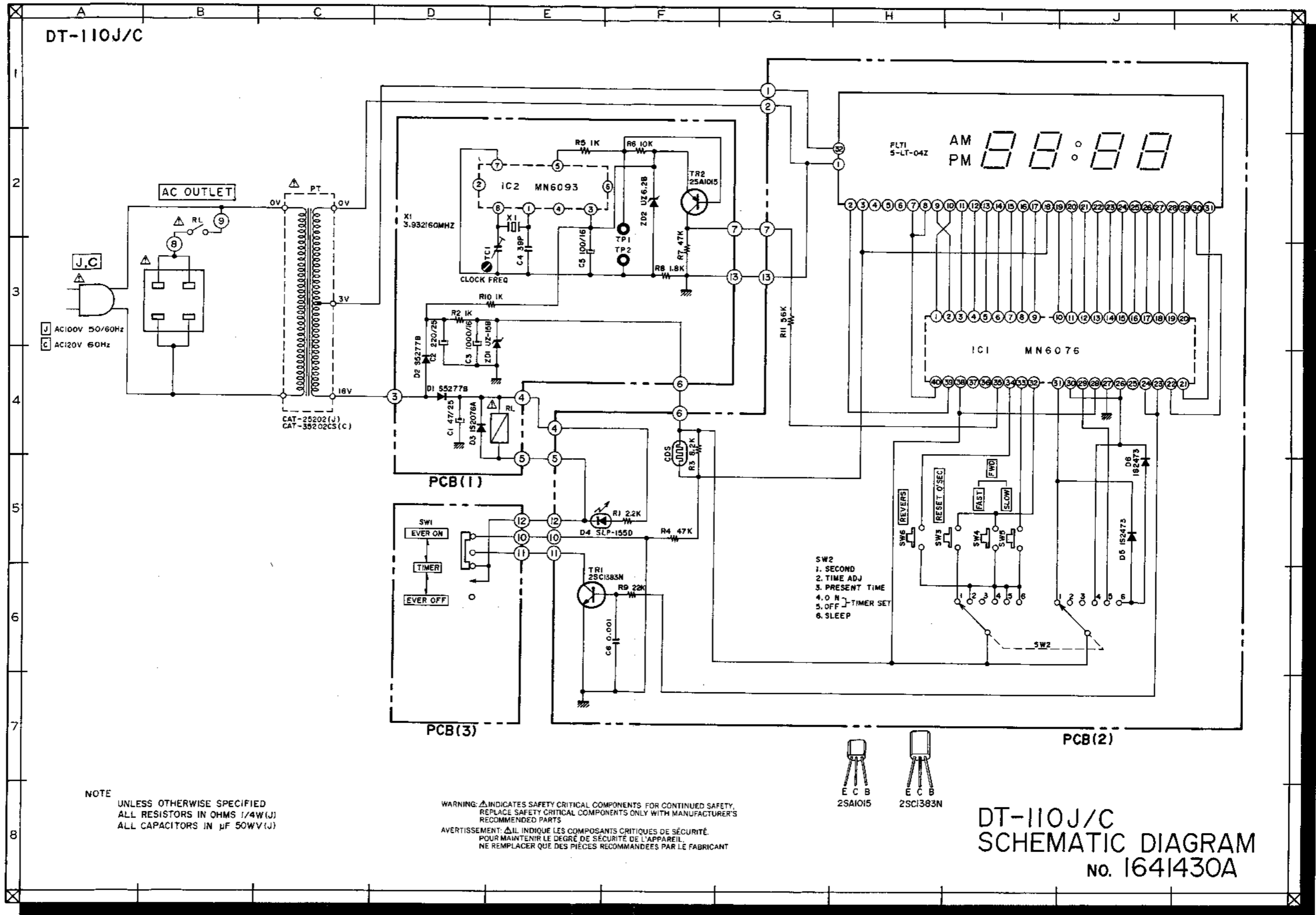


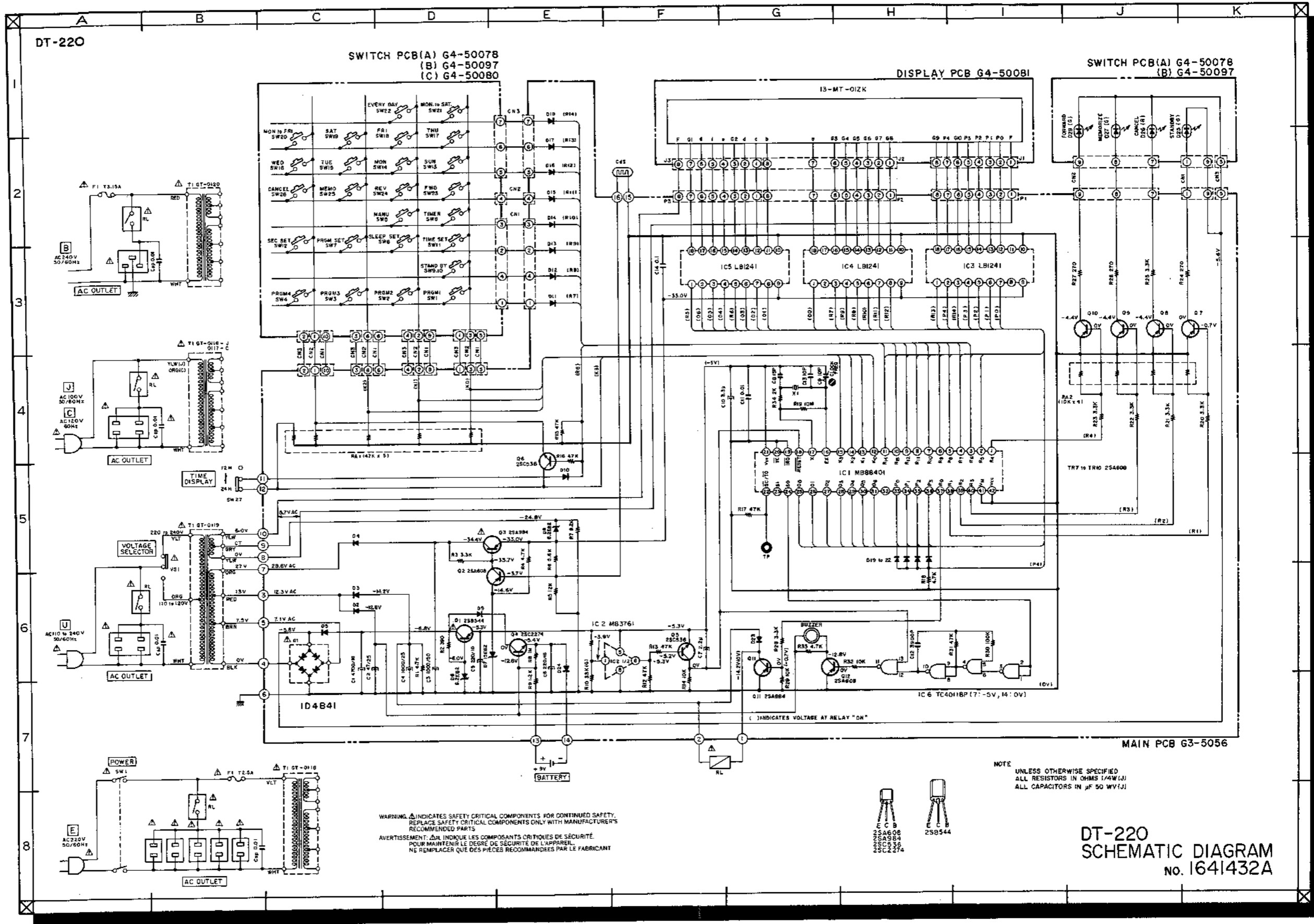
NOTE
UNLESS OTHERWISE SPECIFIED
ALL RESISTORS IN OHMS 1/4W(J)
ALL CAPACITORS IN μF 50WV(J)

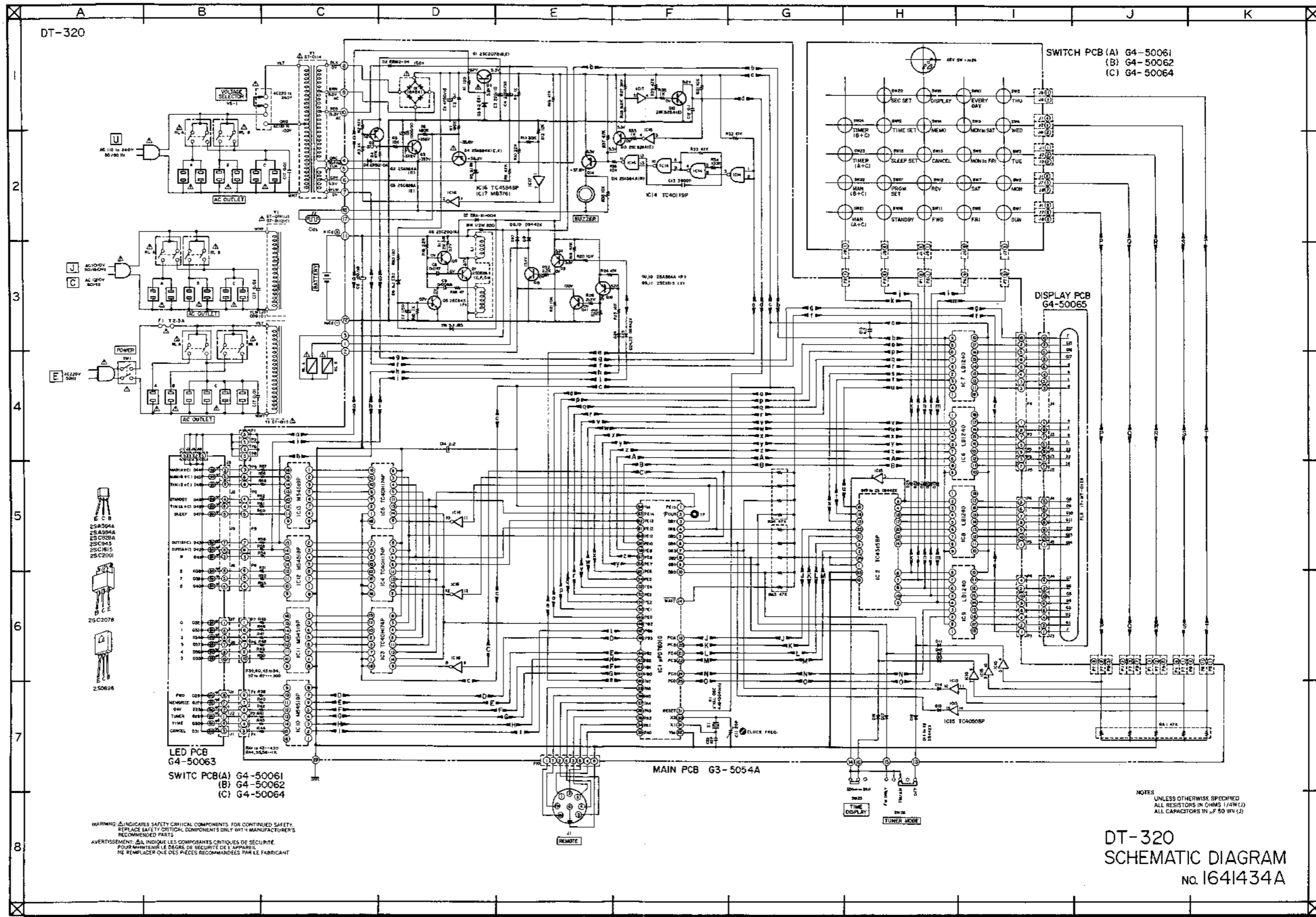
WARNING: Δ INDICATES SAFETY CRITICAL COMPONENTS. FOR CONTINUED SAFETY, REPLACE SAFETY CRITICAL COMPONENTS ONLY WITH MANUFACTURER'S RECOMMENDED PARTS.
AVERTISSEMENT: Δ, INDIQUE LES COMPOSANTS CRITIQUES DE SÉCURITÉ. POUR MAINTENIR LE DEGRÉ DE SÉCURITÉ DE L'APPAREIL, NE REMPLACER QUE DES PIÈCES RECOMMANDÉES PAR LE FABRICANT.

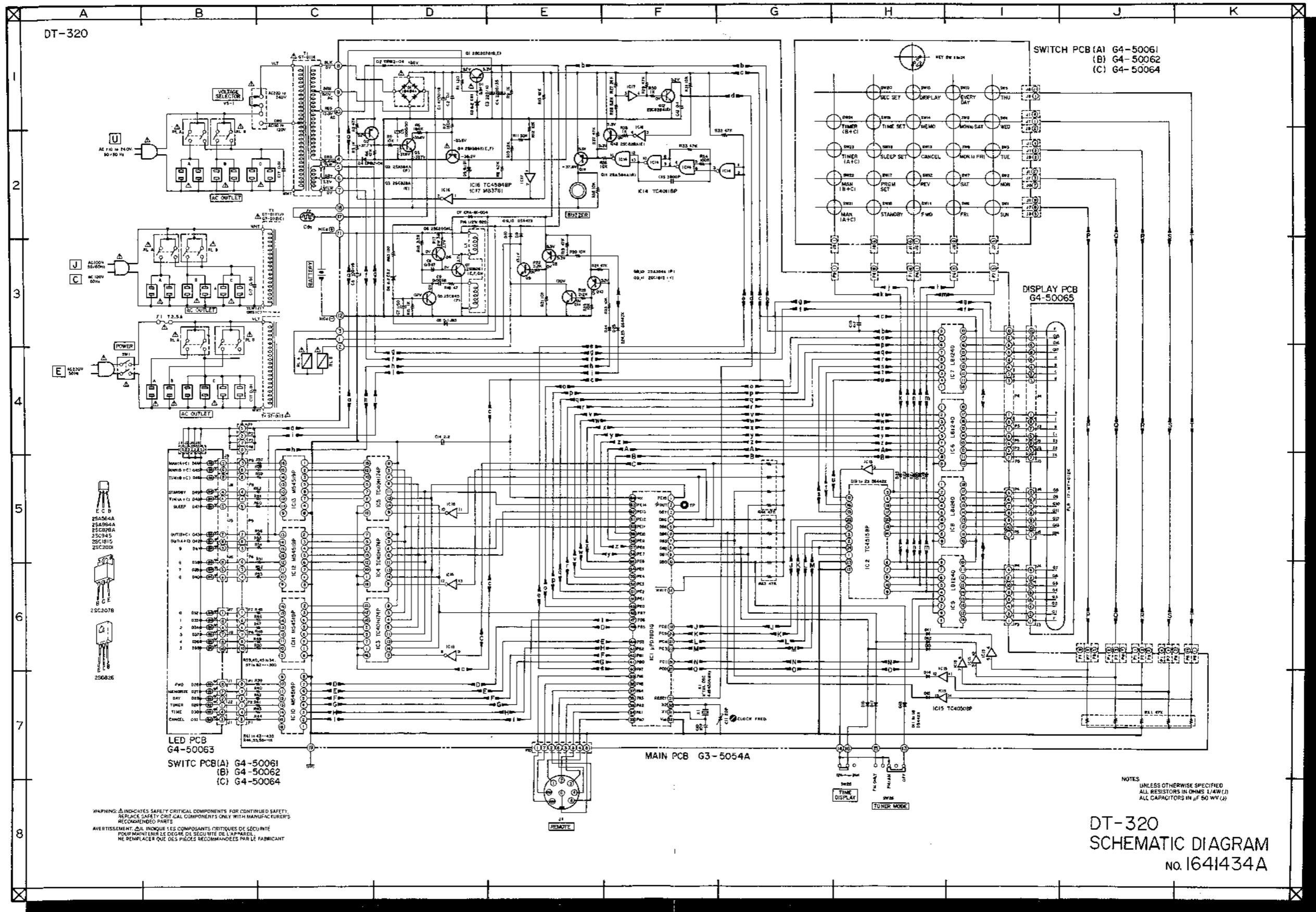


DT-110U/S/E
SCHEMATIC DIAGRAM
No. 1640838A









WARNING: ⚠ INDICATES SAFETY CRITICAL COMPONENTS. FOR CONTINUED SAFETY, REPLACE SAFETY CRITICAL COMPONENTS ONLY WITH MANUFACTURER'S RECOMMENDED PARTS.
 AVERTISSEMENT: ⚠ INDIQUE LES COMPOSANTS CRITIQUES DE SÉCURITÉ. POUR MAINTENIR LE DEGRÉ DE SÉCURITÉ DE L'APPAREIL, NE REMPLACER QUE DES PIÈCES RECOMMANDÉES PAR LE FABRICANT.

NOTES
 UNLESS OTHERWISE SPECIFIED
 ALL RESISTORS IN OHMS 1/4W (J)
 ALL CAPACITORS IN µF 50 WV (J)

DT-320
 SCHEMATIC DIAGRAM
 No. 1641434A