

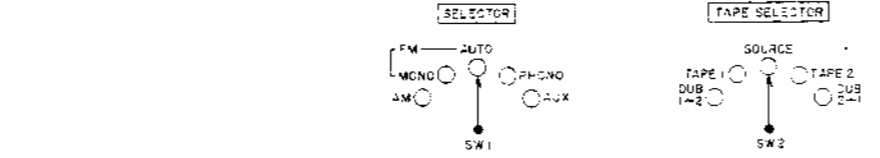
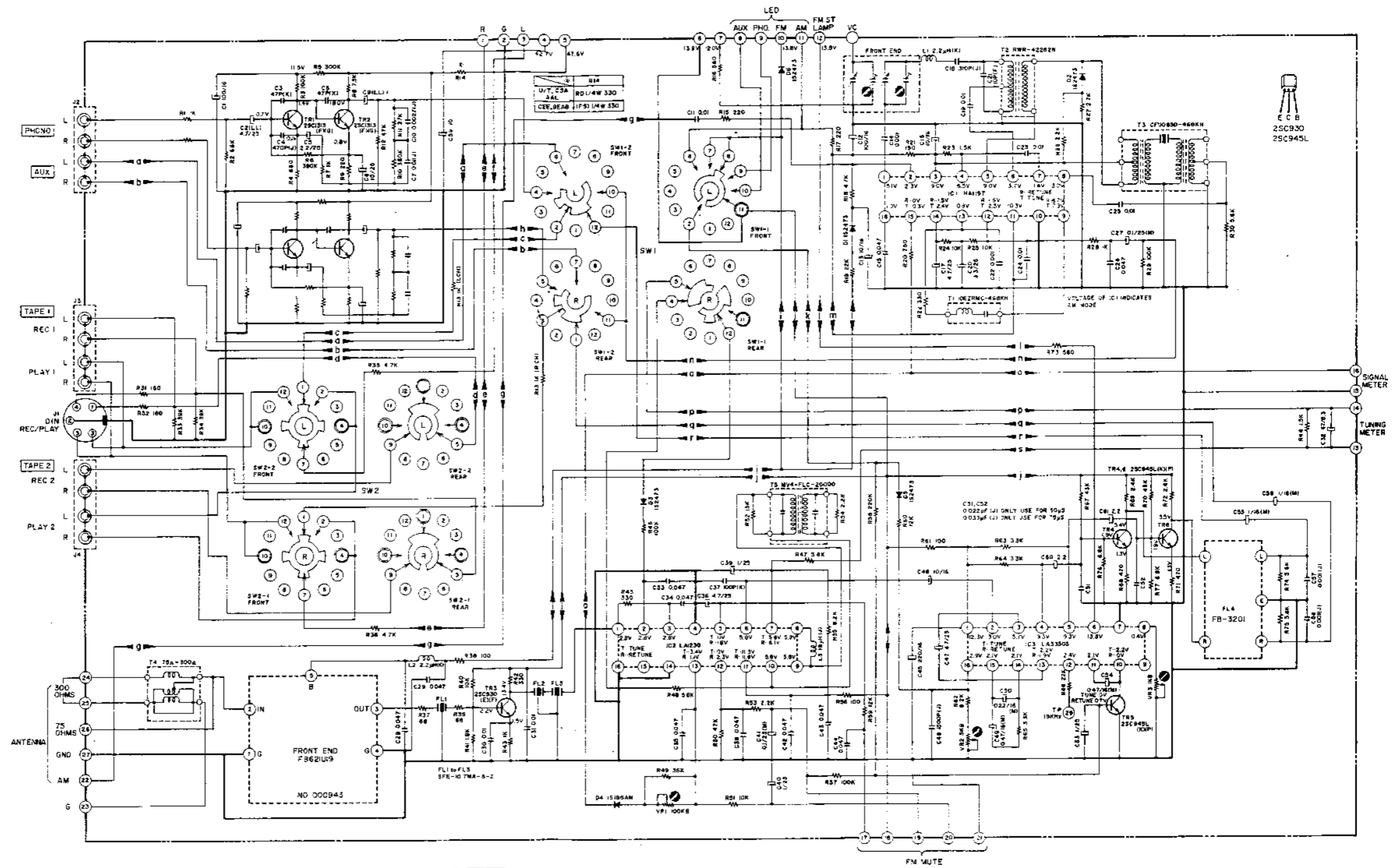
AKAI

AA1200

MODEL

SERVICE MANUAL

AA-1175,1200

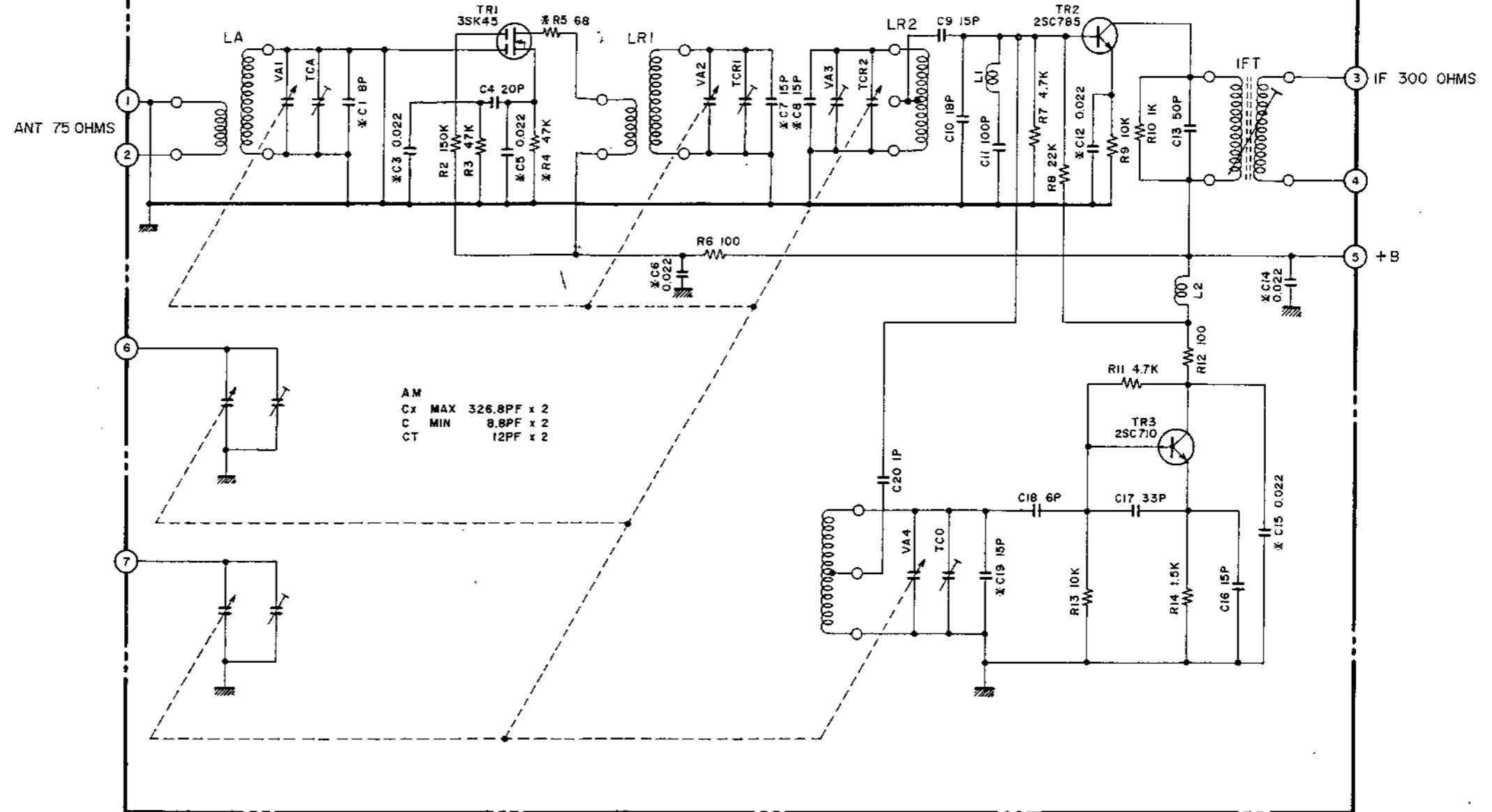


NOTE
 UNLESS OTHERWISE SPECIFIED
 ALL RESISTORS IN OHMS (1/4W (1))
 ALL CAPACITORS IN UF (50WV (1))
 (LL) INDICATES LOW LEAKAGE CAPACITORS

AA-1175,1200
 MULTIFUNCTION
 SCHEMATIC DIAGRAM
 NO.4-3 1560618A

100942C

AA-1175,1200

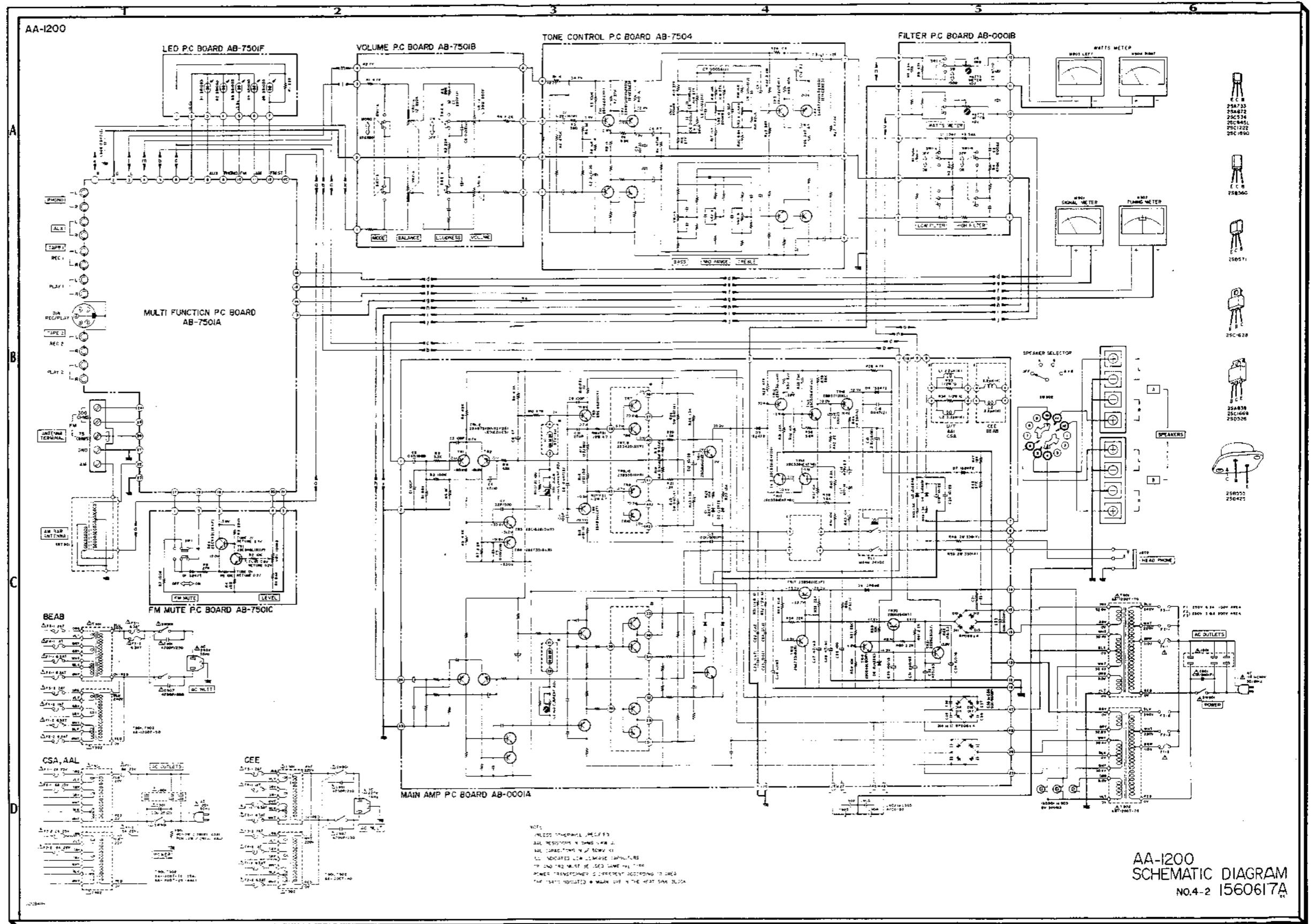


AM
 Cx MAX 326.8PF x 2
 C MIN 8.8PF x 2
 CT 12PF x 2

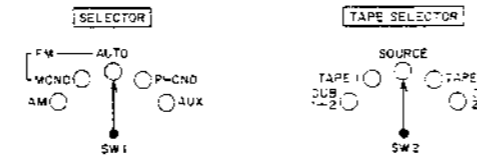
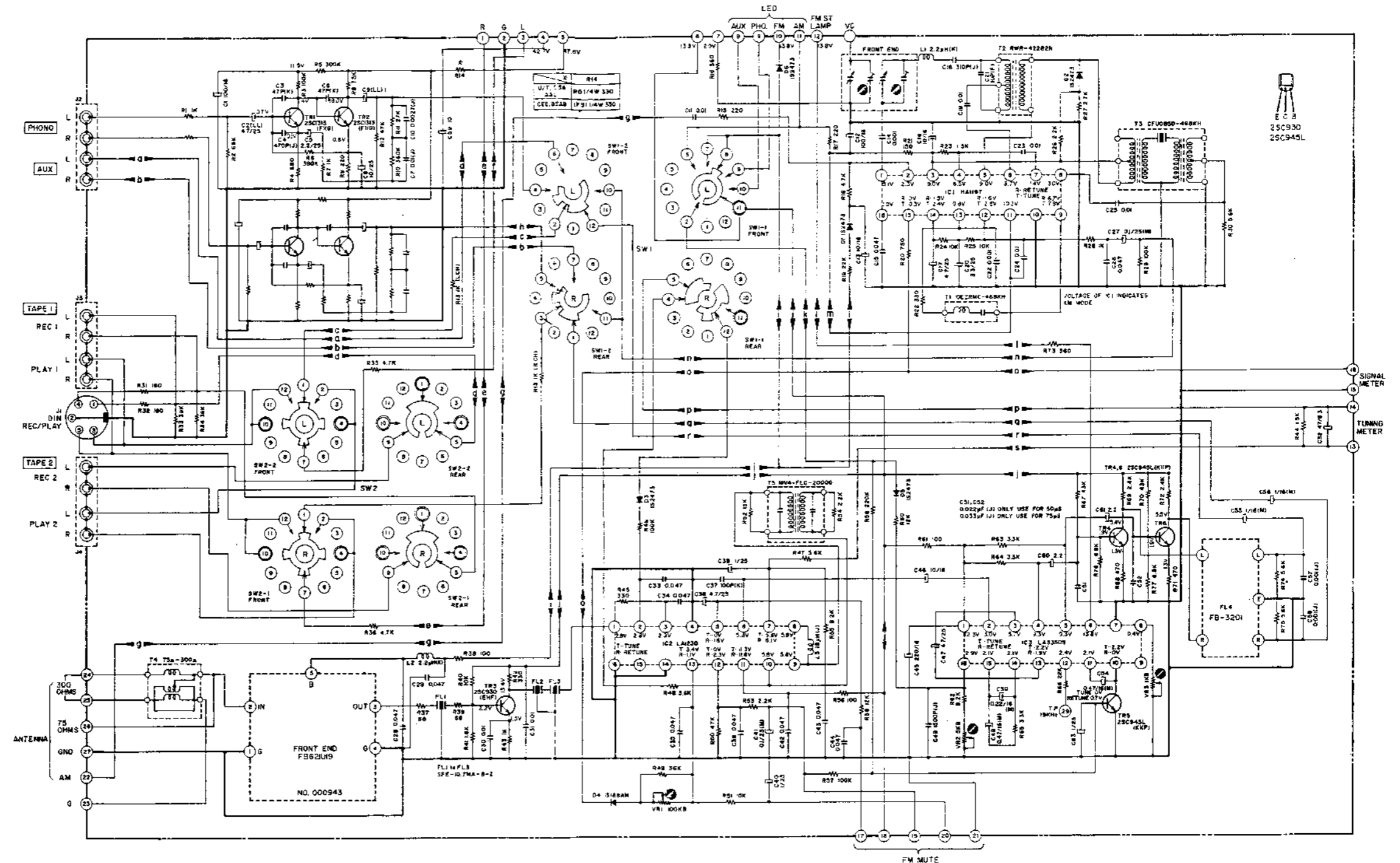
NOTE
 1. UNLESS OTHERWISE SPECIFIED
 ALL RESISTORS IN OHMS
 ALL CAPACITORS IN μ F
 2. * MARK: FACTORY ADJUSTED

AA-1175,1200
 FRONT END
 SCHEMATIC DIAGRAM
 NO. 4-4 1560619A

000943



AA-1175, I200

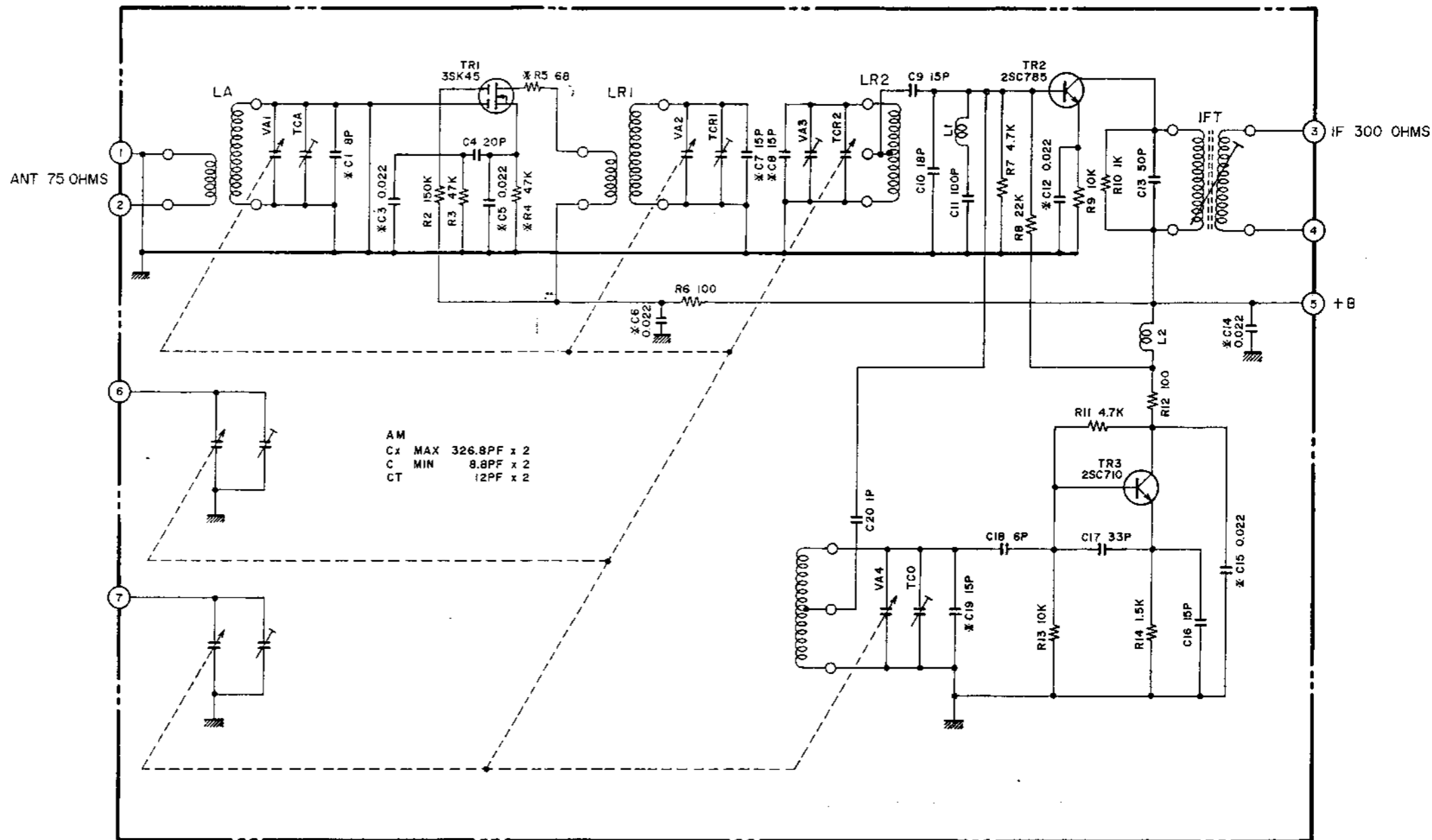


NOTE
UNLESS OTHERWISE SPECIFIED
ALL RESISTORS IN OHMS UNLESS INDICATED OTHERWISE
ALL CAPACITORS IN P.F. UNLESS INDICATED OTHERWISE
ILLI INDICATES LOW LEAKAGE CAPACITORS

AA-1175, I200
MULTIFUNCTION
SCHEMATIC DIAGRAM
NO. 4-3 1560618A

000942C

AA-1175,1200



NOTE
 1. UNLESS OTHERWISE SPECIFIED
 ALL RESISTORS IN OHMS
 ALL CAPACITORS IN μ F
 2. * MARK: FACTORY ADJUSTED

AA-1175,1200
 FRONT END
 SCHEMATIC DIAGRAM
 NO. 4-4 1560619A

000943