

**MANUEL DE MAINTENANCE**

**OX8620**

# GENERAL SYNOPTIC (CI 2080) OX 8620 / OX 8627 AND ITS PERIPHERALS

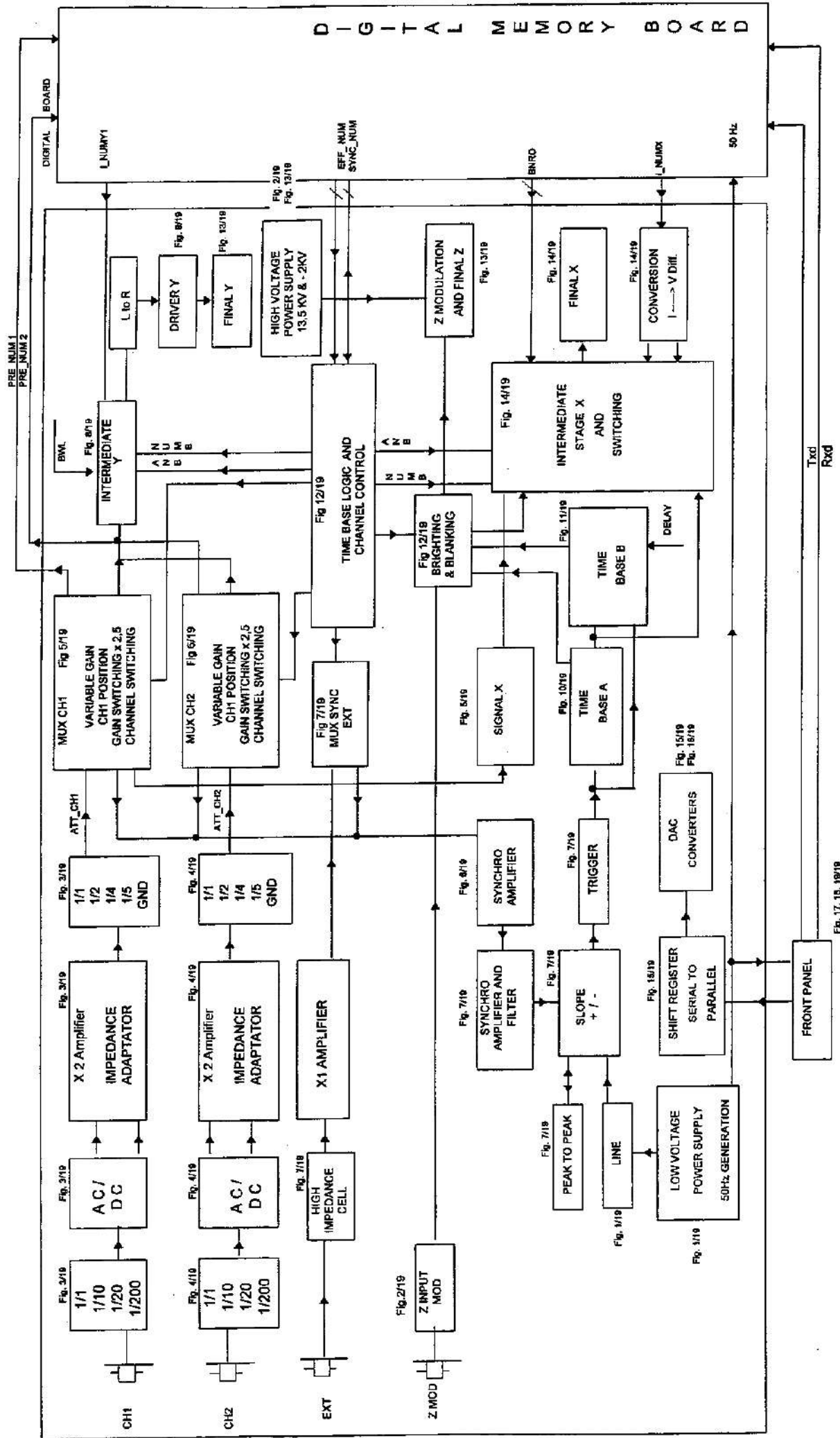
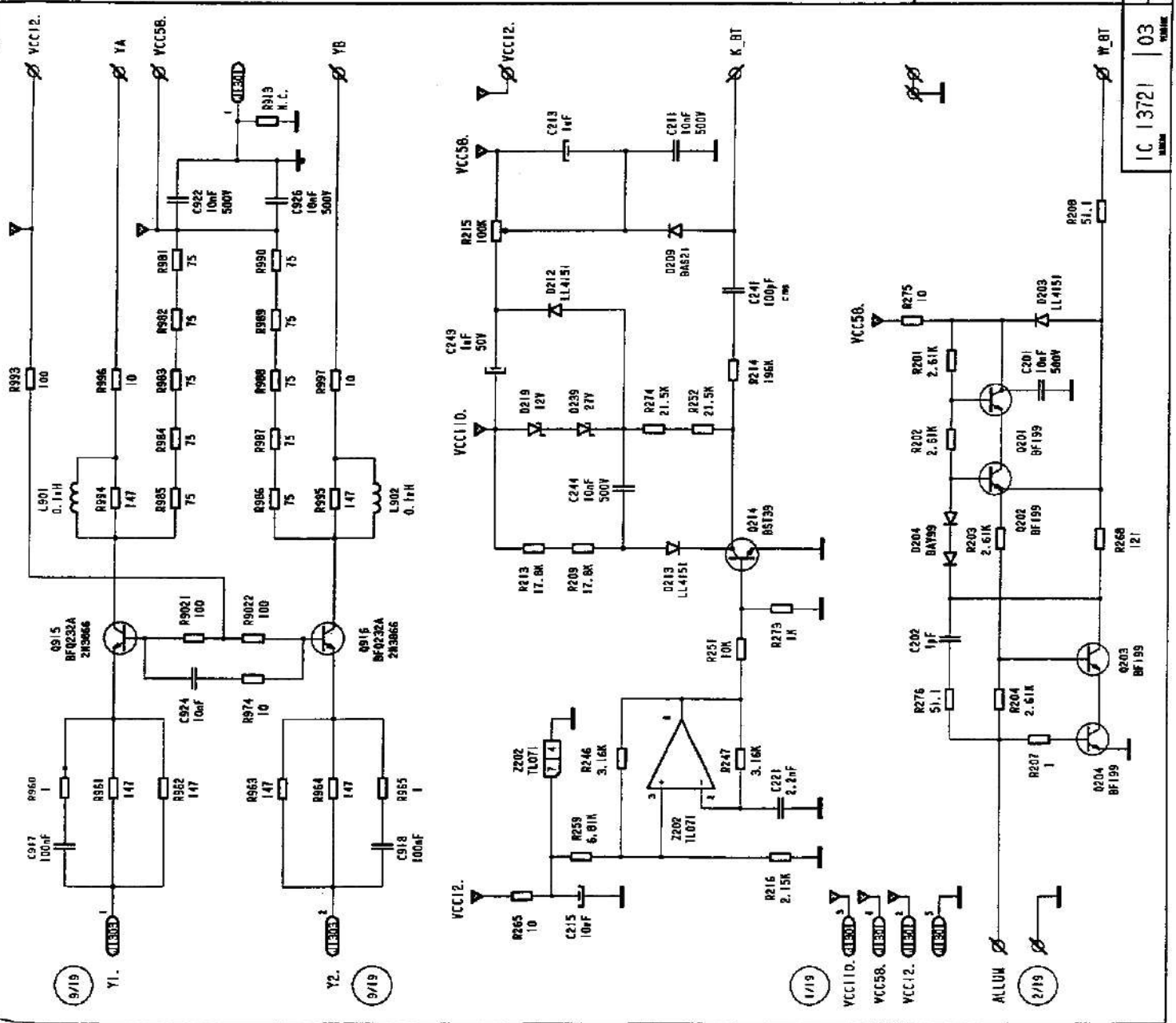
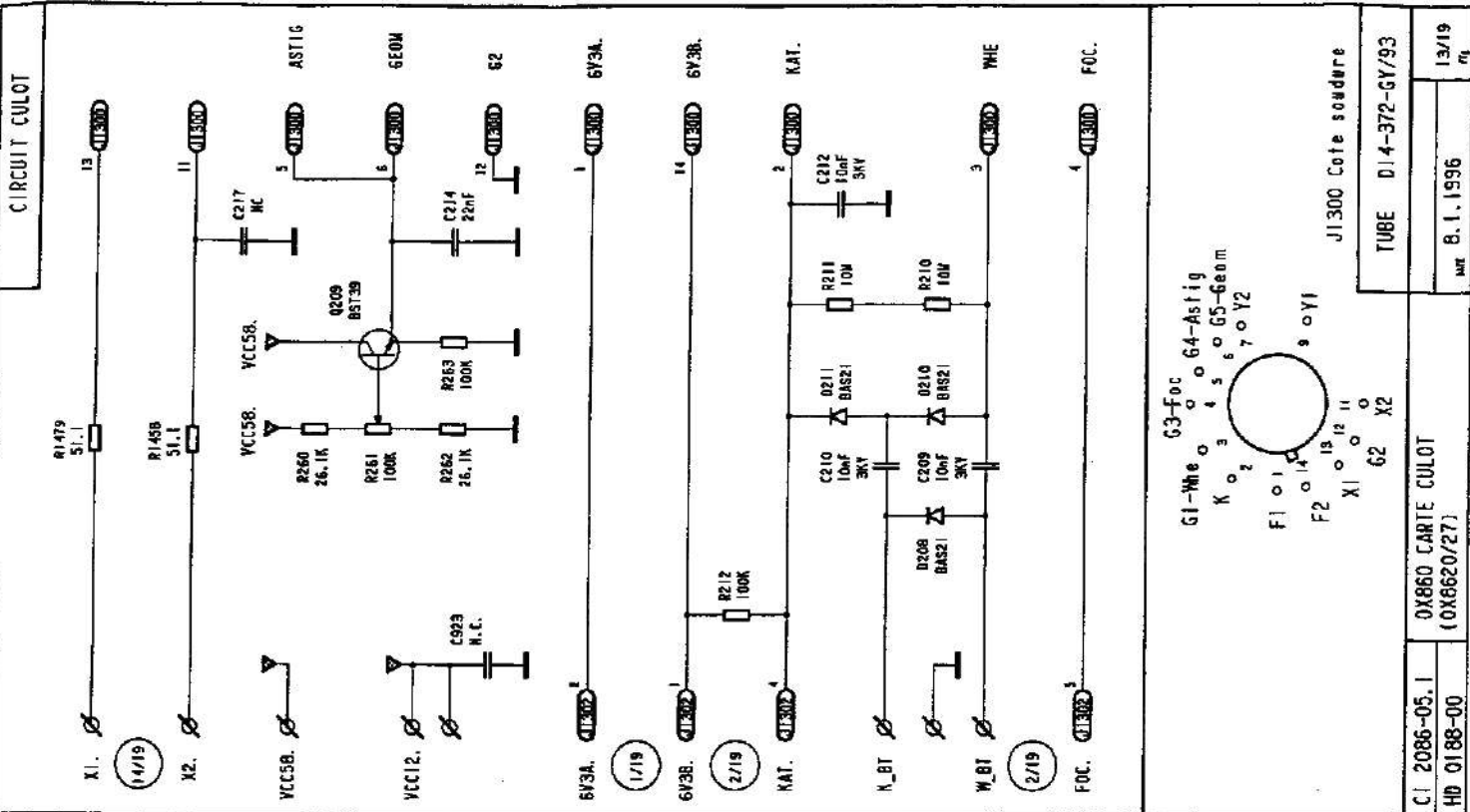


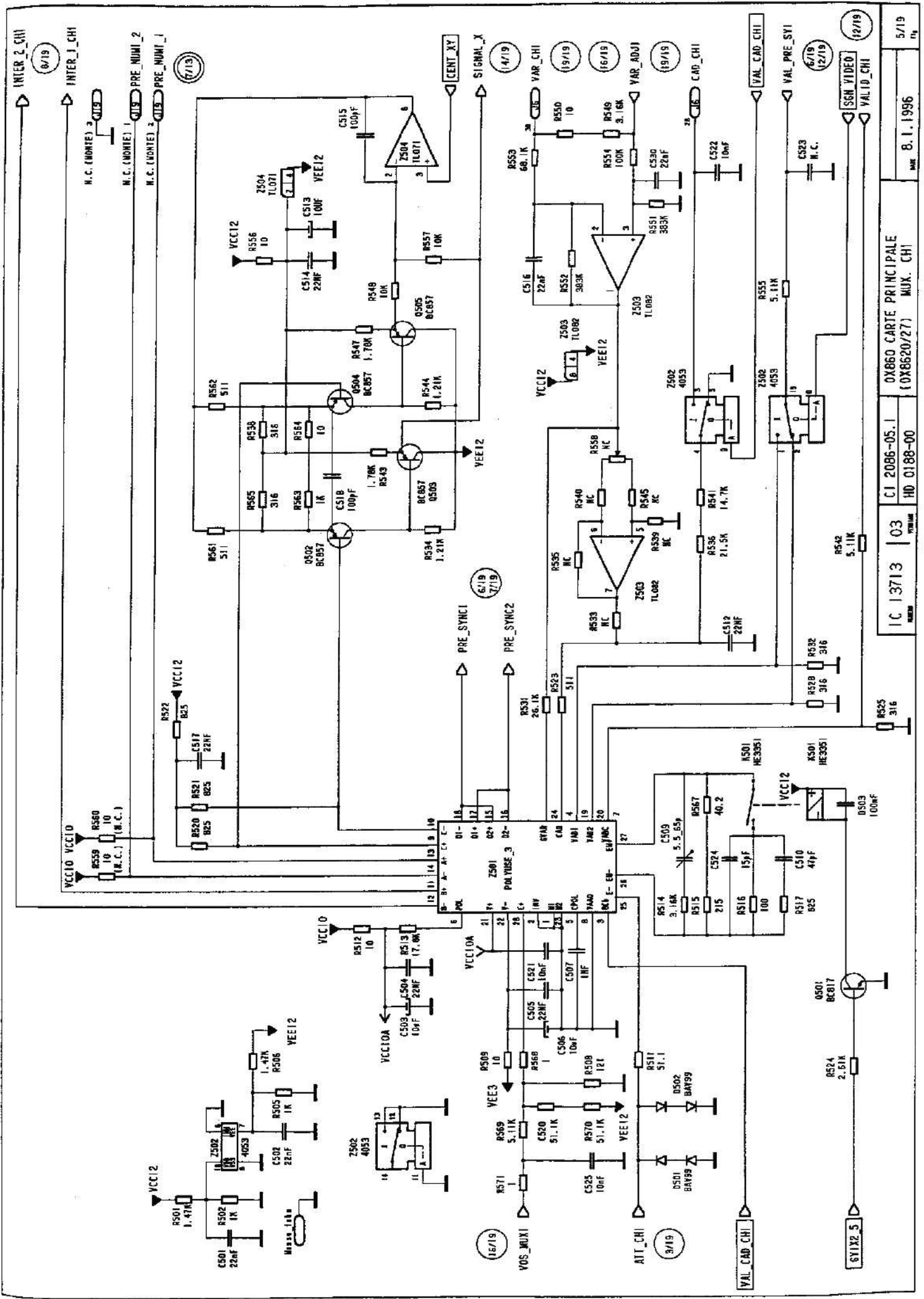
Fig. 17, 18, 19/18



CIRCUIT CULOT







IC 13713 | 03 | CI 2086-05.1 | 0X860 CARTE PRINCIPALE  
 HD 0188-00 | 10X8620/27 | MIX. CHI  
 DATE 8.1.1996  
 5/19