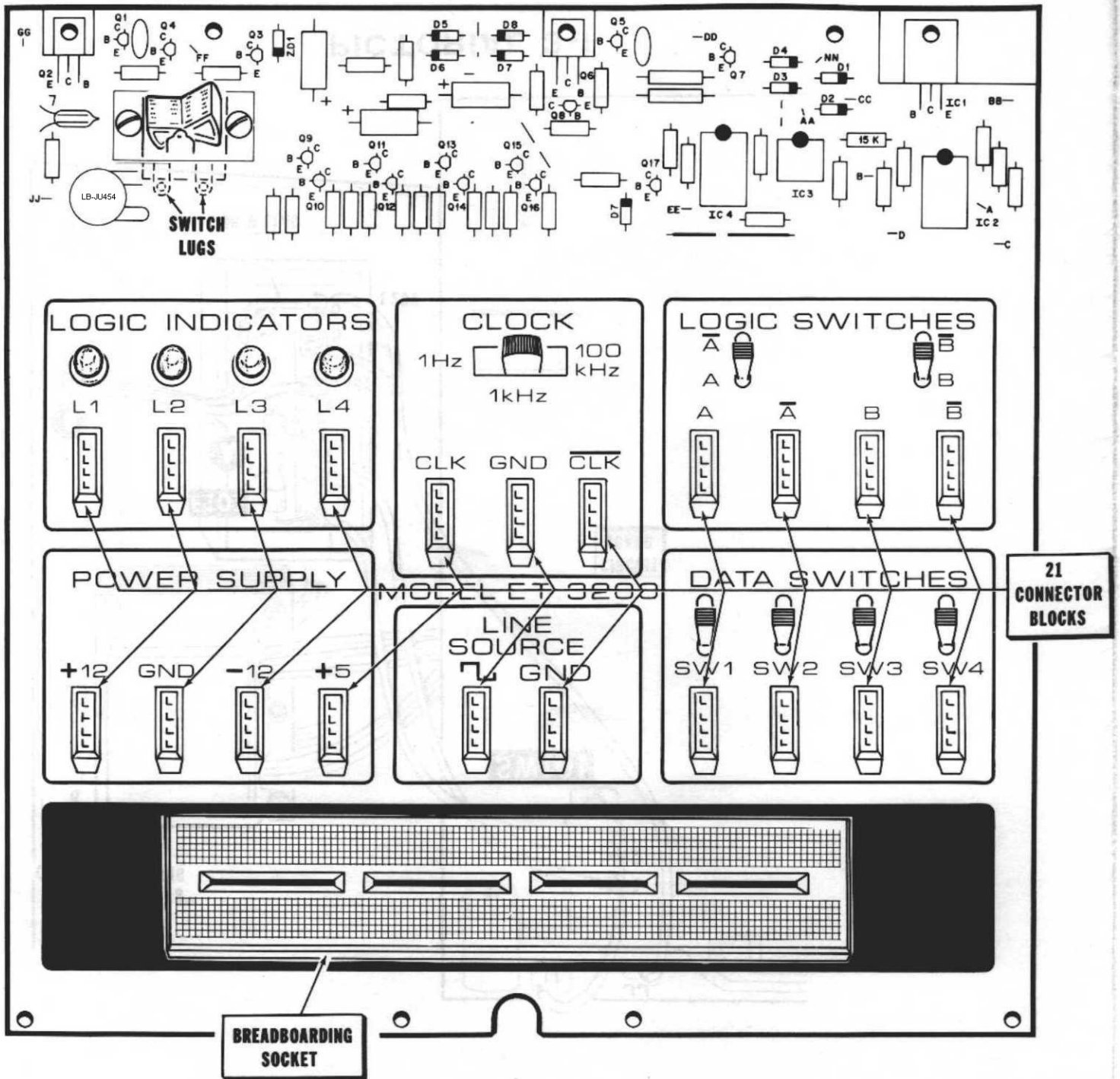
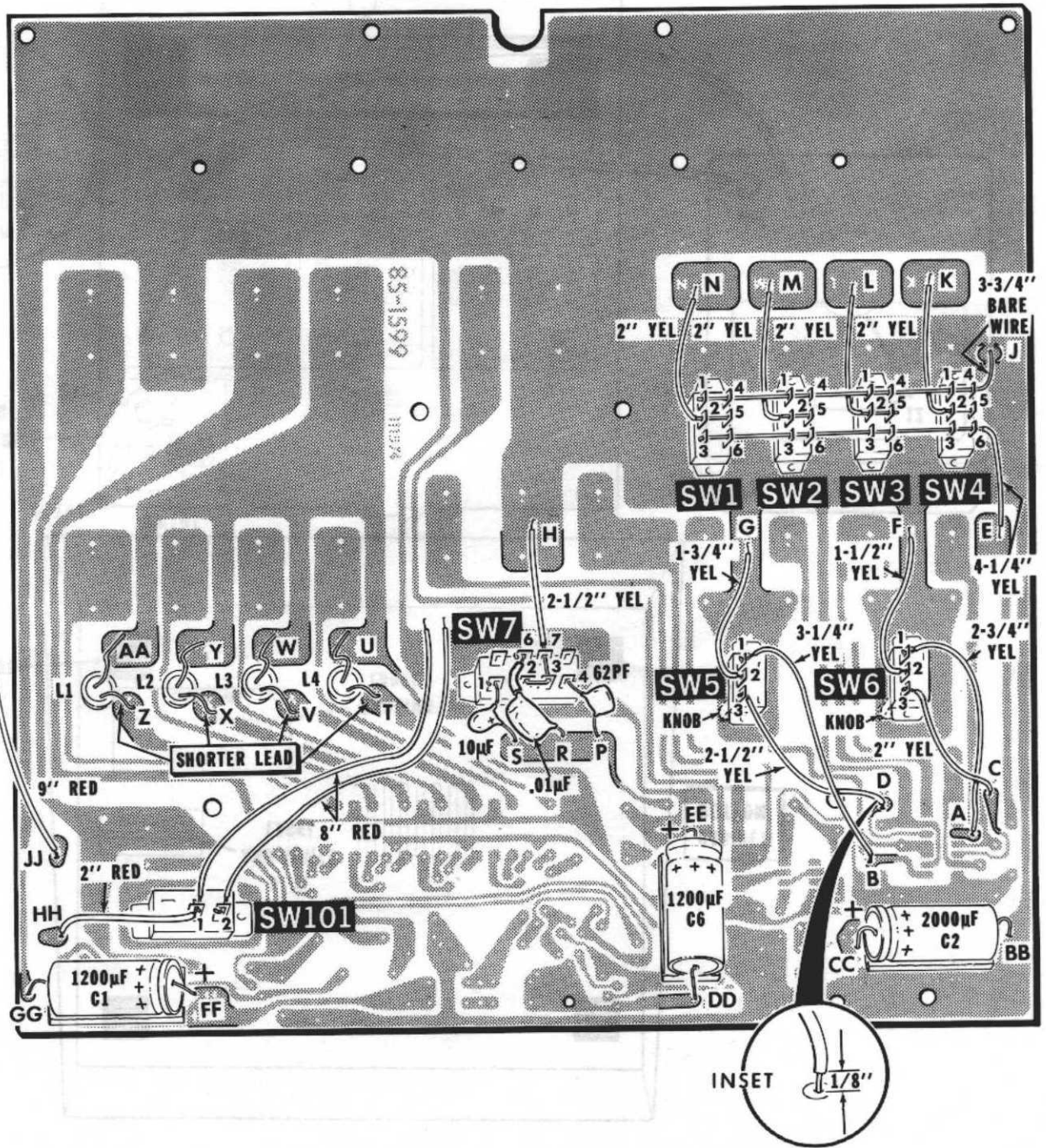


ILLUSTRATI



PICTORIAL 2-1

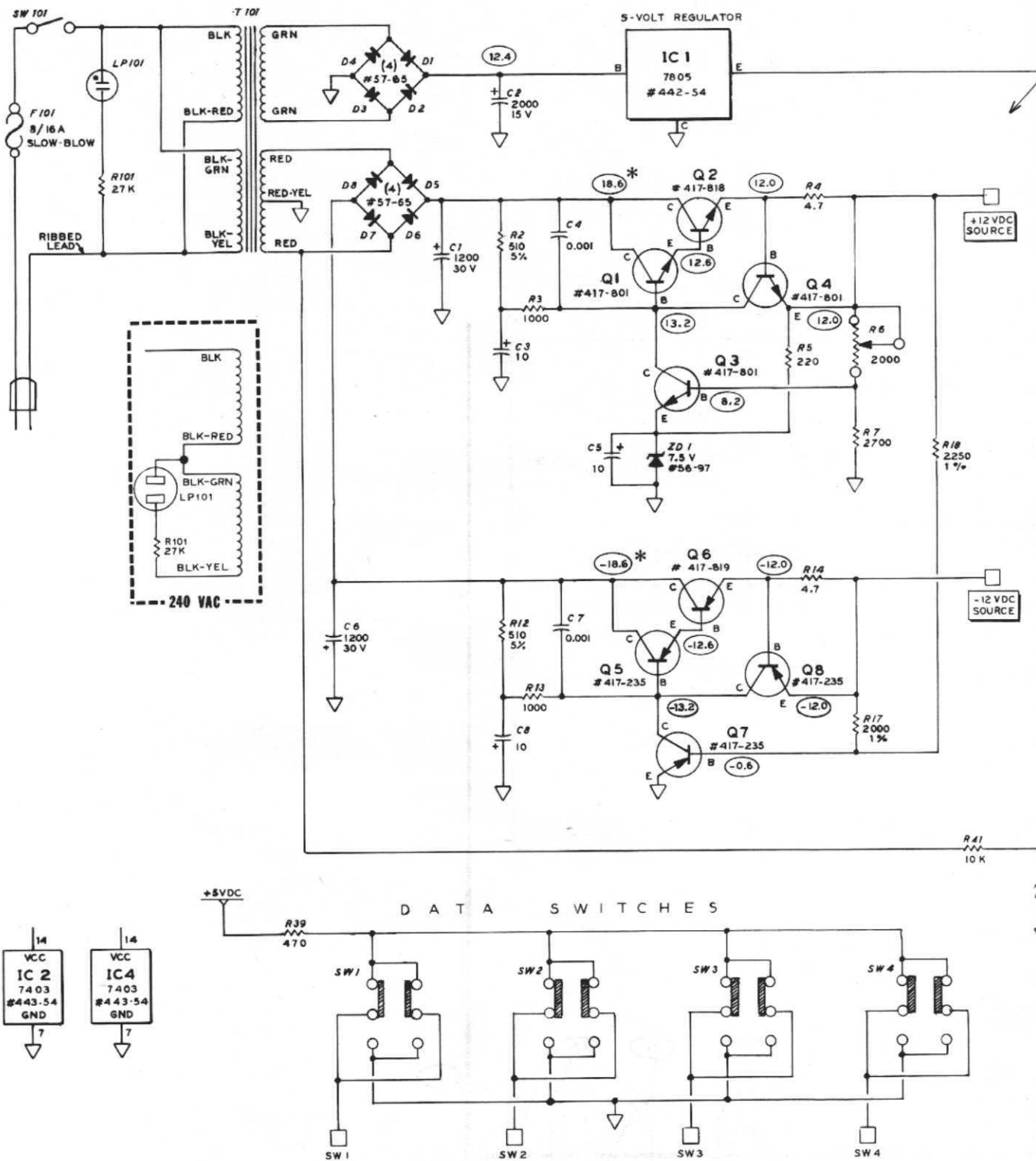
INATION BOOKLET



PICTORIAL 2-2

MODEL ET-3200

Copyright © 1976
Heath Company
All Rights Reserved

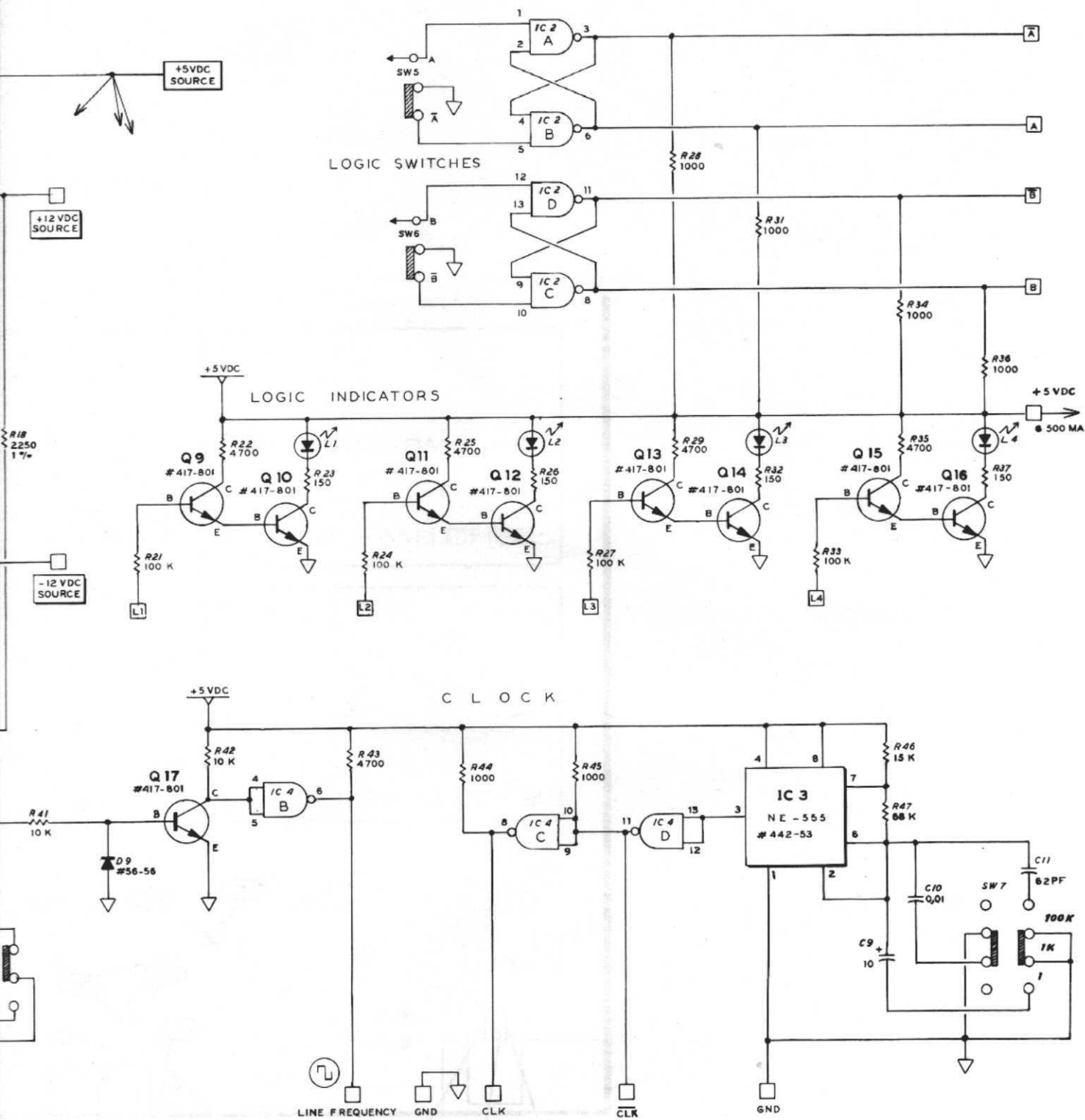


SCHEMATIC OF THE HEATHKIT®

DIGITAL DESIGN EXPERIMENTER

MODEL ET-3200

1. ALL RESISTOR VALUES ARE IN OHMS: K=1000
2. ALL RESISTORS ARE 1/2 WATT, 10% UNLESS INDICATED.
3. ALL CAPACITOR VALUES ARE IN μF UNLESS INDICATED.






NOTES:

IN OHMS: K=1000.

TT, 10% UNLESS OTHERWISE

E IN μ F UNLESS OTHERWISE

- 4.  THIS SYMBOL INDICATES CIRCUIT GROUND.
- 5.  THIS SYMBOL INDICATES A DC VOLTAGE MEASURED WITH A HIGH IMPEDANCE VOLTMETER FROM THE POINT INDICATED TO CIRCUIT GROUND.
- 6. * THESE VOLTAGES WILL VARY WITH THE LOAD.

Copyright © 1975
Heath Company
All rights reserved