

JVC

SUPPLEMENTARY SERVICE MANUAL

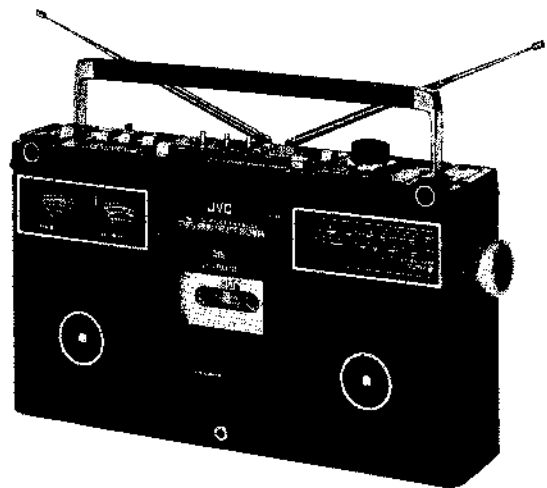
MODEL

9475LS/LSB

FM/LW/MW/SW 4-BAND
STEREO RADIO
CASSETTE RECORDER

Notice:

The component parts of cassette mechanism
have been changed in the midway of production.



List of Cassette Mechanism

| Ref. No. | Parts No. | Parts Name | Description | Q'ty |
|----------|---------------|------------------------|----------------------|------|
| 1 | VKGC09688ZS-A | Chassis Ass'y | | 1 |
| 2 | VKGE96292S-A | Stud | | 1 |
| 3 | V31049-003 | Push Button | Stop | 1 |
| 4 | VKGE13743S-B | Stop Lever | | 1 |
| 5 | VKGE13761S-A | Spring | | 1 |
| 6 | V31049-001 | Push Button | FF, Play, Rewind | 3 |
| 7 | VKGE95506S-B | FF Lever | | 1 |
| 8 | VKGE14449S-A | Spring | | 2 |
| 9 | VKGE14762S-A | Play Lever | | 1 |
| 10 | VKGE95507S-B | Rewind Lever | | 1 |
| 11 | V31049-002 | Push Button | Record | 1 |
| 12 | VKGE14761S-A | Record Lever | | 1 |
| 13 | VKGE14770S-A | Spring | | 1 |
| 14 | VKGE09410ZS-A | Record Spring Ass'y | | 1 |
| 15 | V44865-00A | Button | Pause, Eject Changed | 2 |
| 16 | VKGE07942ZS-D | Pause Lever Ass'y | | 1 |
| 17 | VKGE07940ZS-F | Pause Chassis Ass'y | | 1 |
| 18 | VKGE96720S-A | Lock Plate | Changed | 1 |
| 19 | VKGE95483S-A | Coil Spring | | 1 |
| 20 | VKGE95326S-A | Pause Pin | | 1 |
| 21 | VKGE95329S-A | Spring | | 1 |
| 22 | VKGE09412ZS-B | Eject Bracket Ass'y | | 1 |
| 23 | VKGE13758S-A | Eject Spring | | 1 |
| 24 | | | Deleted | 1 |
| 25 | VKGE14309S-A | Eject Pin | | 1 |
| 26 | VKGE08771ZS-A | Button Stopper Ass'y | | 1 |
| 27 | VKGE13446S-A | Spring | | 1 |
| 28 | VKGE08766ZS-A | Lock Plate Ass'y | | 1 |
| 29 | VKGE14760S-A | Coil Spring | | 1 |
| 30 | VKGD08424ZS-B | Head Panel Ass'y | | 1 |
| 31 | V03078-043 | R/P Head | Changed | 1 |
| 32 | VKGE3354S-B | Spring | | 1 |
| 33 | V03078-044 | Erase Head | Changed | 1 |
| 34 | VKGE09413ZS-A | Pinch Roller Arm Ass'y | Changed | 1 |
| 35 | VKGE13755S-B | Pinch Arm Spring | | 1 |
| 36 | VKGE08421ZS-A | Head Lever Ass'y | | 1 |
| 37 | 54004S-A | Steel Ball (A) | φ2 | 4 |
| 38 | 54012S-A | Steel Ball (B) | φ2.5 | 2 |
| 39 | VKGE13710S-B | Plate Spring | | 2 |
| 40 | VKGE14770S-A | Spring | | 1 |
| 41 | VKGE14771S-A | Coil Spring | | 1 |
| 42 | VKGE96596S-A | Pause Arm | | 1 |
| 43 | VKGE95418S-A | Pause Spring | | 1 |
| 44 | VKGE17977S-A | Oil Stopper | | 1 |
| 45 | VKGE14763S-A | R. Q. Lever | | 1 |
| 46 | VKGE97189S-A | Spring | | 1 |
| 47 | VKGE14426S-B | Detection Cam | | 1 |
| 48 | VKGE09419ZS-A | Takeup Disk Ass'y | | 1 |
| 49 | VPBE11144S-C | Reel Cap (B) | | 2 |
| 50 | VKGE09420ZS-A | Supply Disk Ass'y | | 1 |
| 51 | VKGE14074S-A | Back Tension Spring | | 1 |
| 52 | VKGE07365ZS-C | Flywheel Ass'y | Changed | 1 |
| 53 | VKGE14343S-A | Thrust Spring | | 1 |
| 54 | VKGE96362S-A | Capstan Belt | | 1 |
| 55 | VKGE09408ZS-A | Flywheel Bracket Ass'y | | 1 |
| 56 | VKGD08335ZS-C | Idler Lever Ass'y | Changed | 1 |
| 57 | VKGE13754S-C | Idler Spring | | 1 |
| 58 | VKGE95412S-A | Idler Spring (B) | | 1 |

Exploded View of Cassette Mechanism

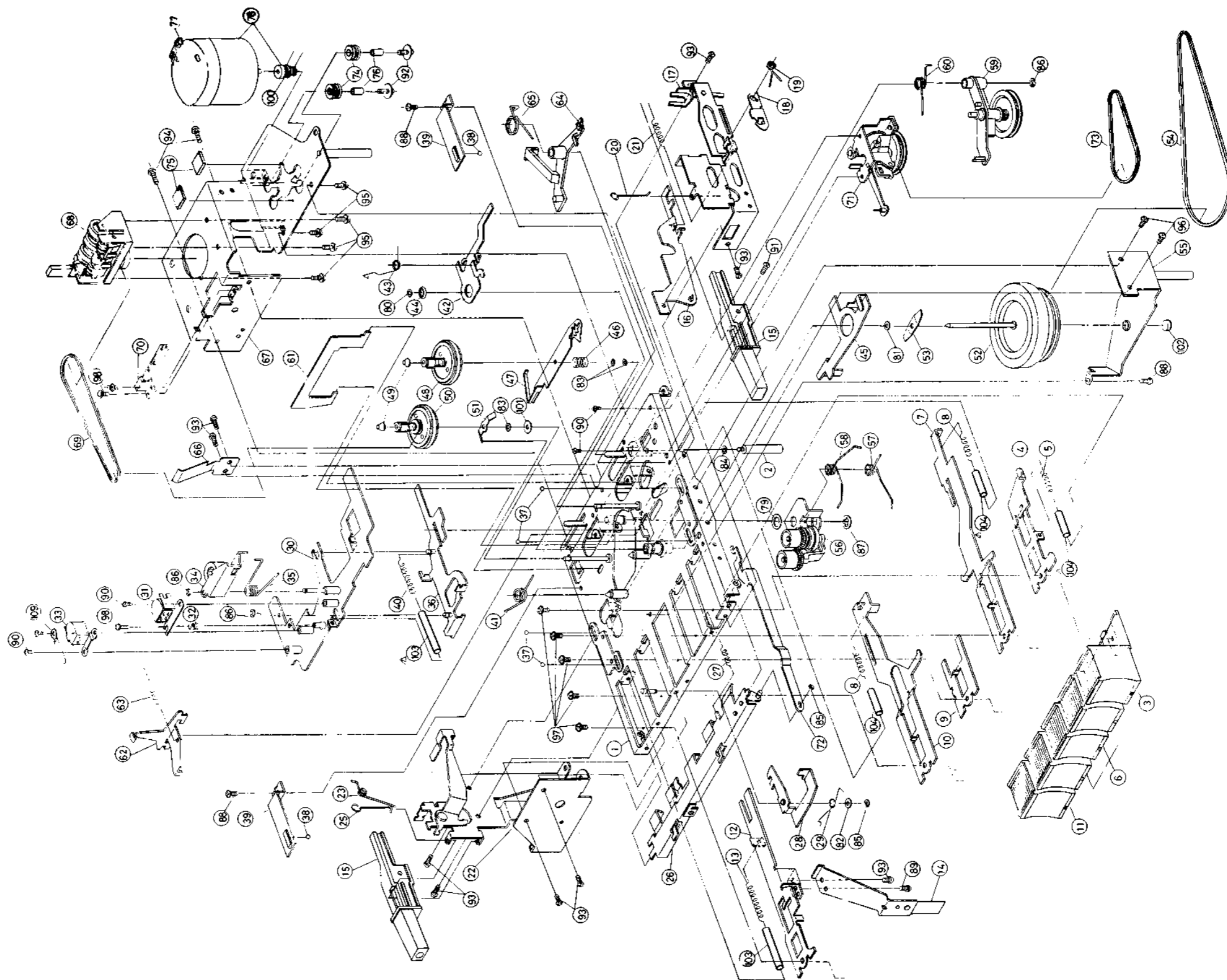


Fig. 1

Wiring Connection

Note: As the electronic governor circuit has been built in the motor housing, the wiring to the motor has been changed.

New

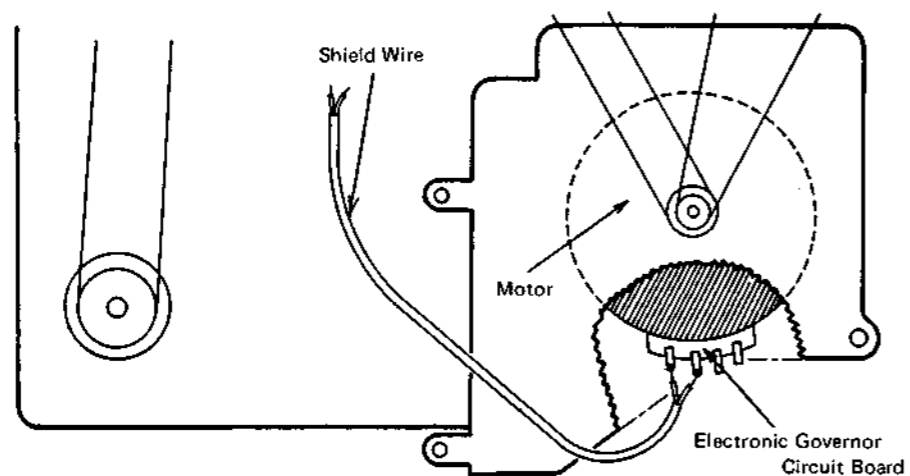


Fig. 2

Former

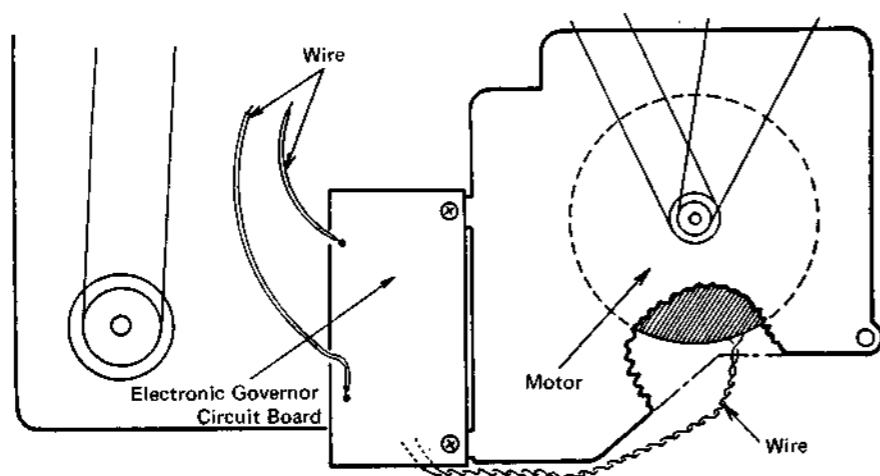


Fig. 3

New

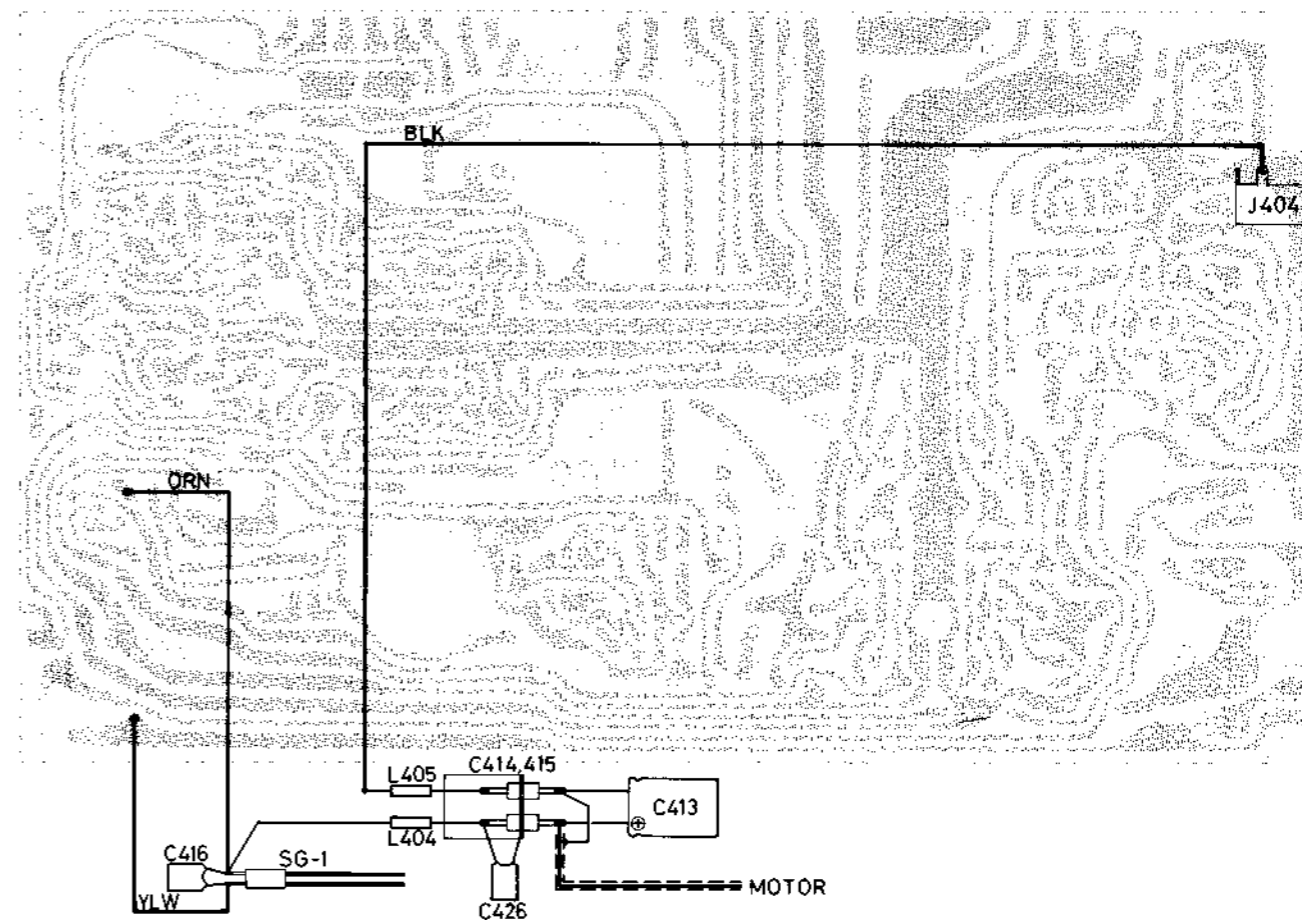


Fig. 4

Former

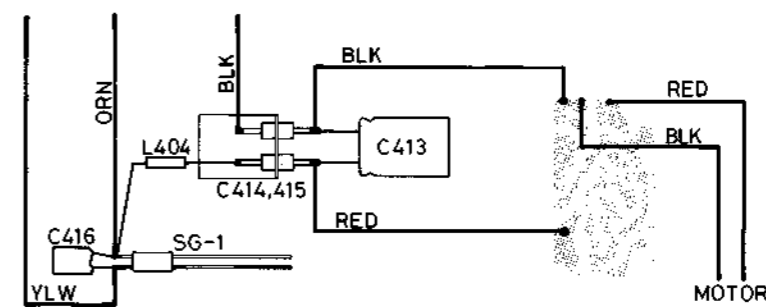


Fig. 5

| Ref. No. | Parts No. | Parts Name | Description | Q'ty |
|----------|----------------|---------------------|--|------|
| 59 | VKGE010476ZS-A | Takeup Idler Ass'y | Changed | 1 |
| 60 | VKGE13753S-B | Takeup Arm Spring | | 1 |
| 61 | VKGE14891S-A | Brake | | 1 |
| 62 | VKGE13751S-A | Record Safety Lever | | 1 |
| 63 | VKGE13757S-A | Spring | | 1 |
| 64 | VKGE14145S-C | Switch Lever | | 1 |
| 65 | VKGE96126S-A | Switch Lever Spring | | 1 |
| 66 | VKGE96335S-A | Pack Spring | | 1 |
| 67 | VKGE09411ZS-A | M. C. Bracket Ass'y | | 1 |
| 68 | V31093-001 | Tape Counter | Changed | 1 |
| 69 | VKGE97029S-A | Counter Belt | Changed | 1 |
| 70 | VKGE010335ZS-A | Leaf Switch Ass'y | Changed | 1 |
| 71 | VKGD08937ZS-C | Shut-off Ass'y | Changed | 1 |
| 72 | VKGE14107S-D | Link | | 1 |
| 73 | VKGE96744S-A | Belt | Shut-off Changed | 1 |
| 74 | VKGE10637S-A | Motor Cushion | | 2 |
| 75 | VKGE10640S-A | Cushion | | 2 |
| 76 | VKGE10542S-B | Collar | | 2 |
| 77 | MHI-5F9CLN | Motor | Changed | 1 |
| 78 | V44864-00A | Motor Ass'y | Motor with Pulley Changed | 1 |
| 79 | Q03093-504 | Washer | $\phi 5.2 \times \phi 10 \times t0.5$ | 1 |
| 80 | Q03093-609 | " | $\phi 2.2 \times \phi 6 \times t0.2$ | 1 |
| 81 | Q03093-430 | " | $\phi 3.2 \times \phi 6 \times t0.2$ | 1 |
| 82 | 22138S-A | " | $\phi 2.3 \times \phi 6 \times t0.4$ | 1 |
| 83 | VKGE3111S-A | " | $\phi 1.6 \times \phi 4 \times t0.2$ | 3 |
| 84 | WLS2600 | Lock Washer | | 1 |
| 85 | REE1500 | E-Ring | | 2 |
| 86 | REE2000 | " | | 3 |
| 87 | REE4000 | " | | 1 |
| 88 | LPSP2604Z | Ass'y Screw | | 3 |
| 89 | LPSP2605Z | " | | 1 |
| 90 | LPSP2004Z | " | | 5 |
| 91 | SPSP2606Z | Screw | | 1 |
| 92 | NPSP2609Z | Ass'y Screw | | 2 |
| 93 | SPSD2605Z | TH. TAP. Screw | | 9 |
| 94 | SPSD3006Z | " | | 2 |
| 95 | LPSP3005ZS | Ass'y Screw | | 5 |
| 96 | LPSP3006ZS | " | | 2 |
| 97 | SWSP2605Z | Washer Screw | | 5 |
| 98 | SWSP2006Z | " | | 3 |
| 99 | | | Deleted | |
| 100 | VKGE14894S-B | Motor Pulley | | 1 |
| 101 | VKGE9974S-A | Washer | $\phi 2 \times \phi 7 \times t0.8$ | 1 |
| 102 | VKGE14112S-A | Thrust Screw | | 1 |
| 103 | _____ | Tube | $\phi 4 \times \phi 5 \times \text{L}23$ | 2 |
| 104 | _____ | " | $\phi 4 \times \phi 5 \times \text{L}12$ | 3 |
| 105 | | | Deleted | |
| 106 | | | " | |
| 107 | | | " | |
| 108 | | | " | |
| 109 | V42603-003 | Wire Clamp | Added | 1 |