

JVC

4VN880

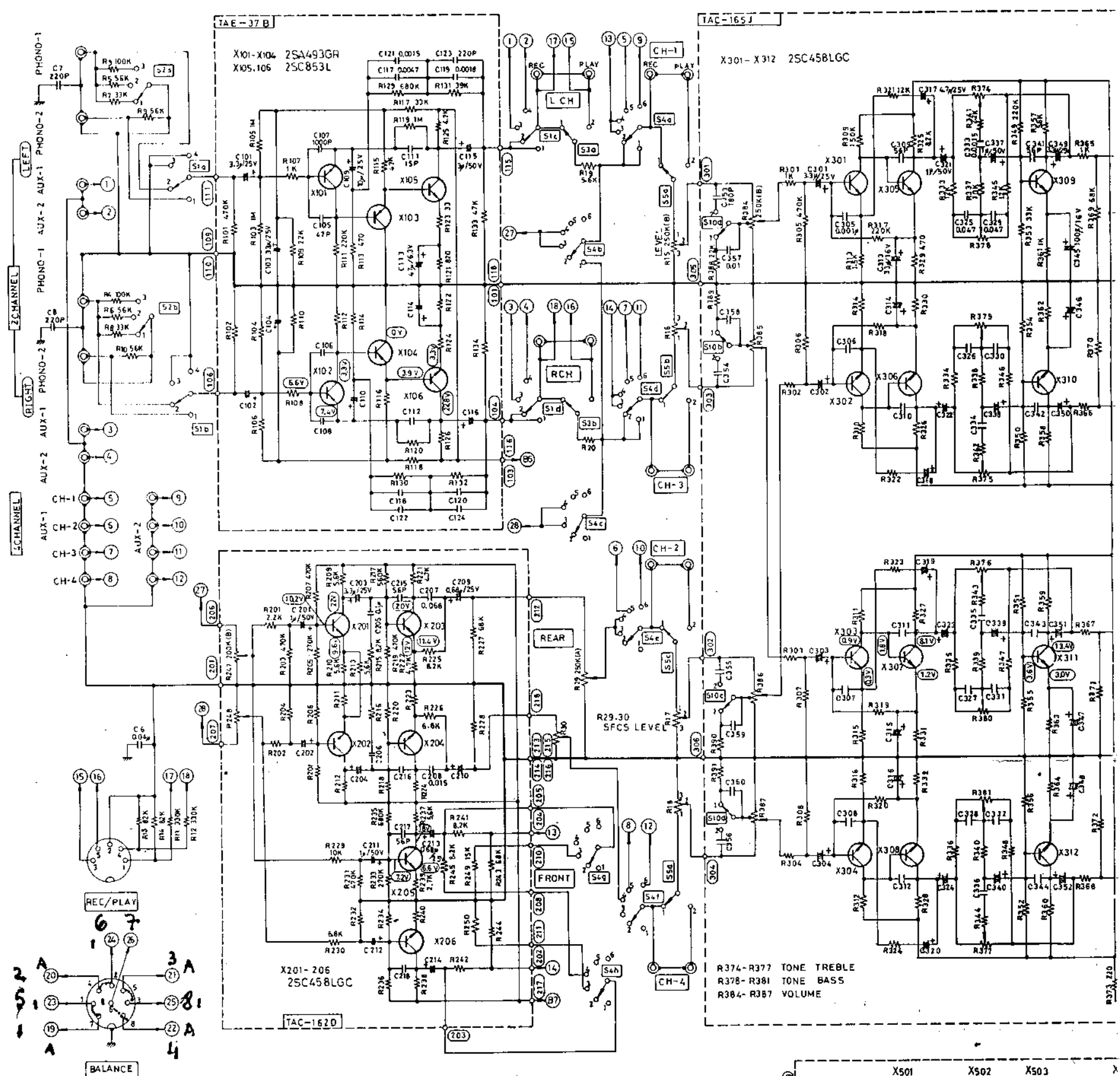
---

MODEL

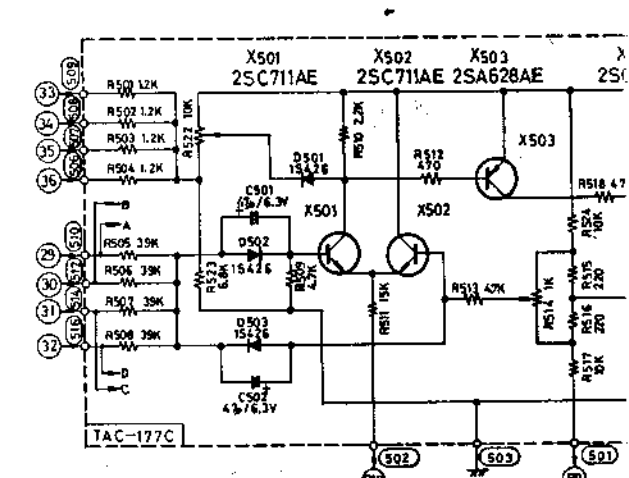
---

SERVICE MANUAL

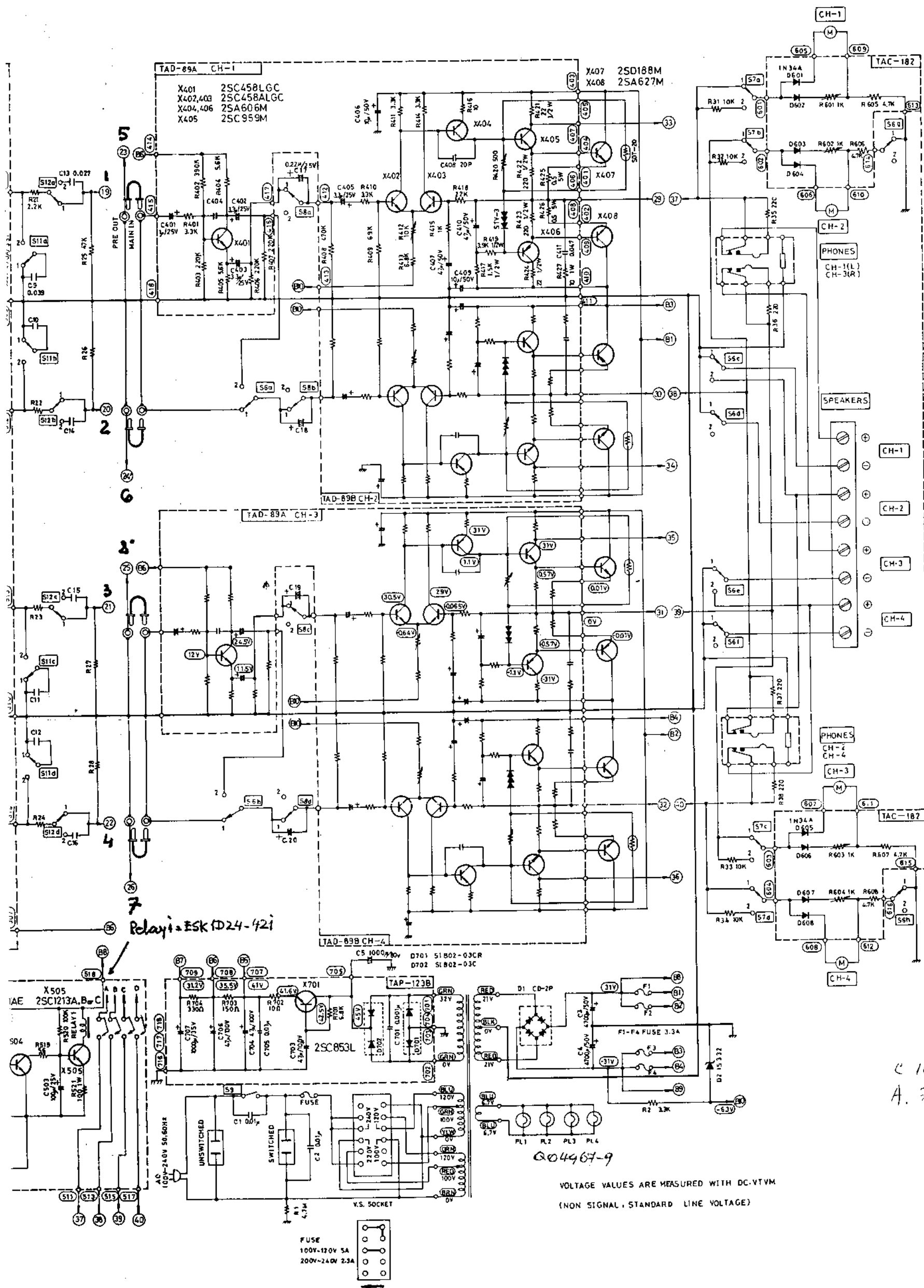
---



- S1a-d SOURCE  
1. PHONO-2 2. PHONO-1 3. AUX-1 4. AUX-2
- S2a-b LOAD SELECT  
1. 300KΩ 2. 50KΩ 3. 100KΩ
- S3a-b 2CH TAPE MONITOR  
1. NORMAL 2. MONITOR
- S4a-h FUNCTION  
1. 2CH L-R 2. 2CH STEREO 3. SFC5-1 4. SFC5-2 5. 4CH AUX-1 6. 4CH AUX-2
- S5a-d 4CH TAPE MONITOR  
1. NORMAL 2. MONITOR
- S6a-h B.T.L SWITCH  
1. NORMAL (4SP) 2. B.T.L (2SP)
- S7a-d METER SENSITIVITY  
1. HIGH 2. LOW
- S8a-d SUB SONIC FILTER  
1. OFF 2. ON
- S9 POWER SWITCH
- S10a-d LOUDNESS  
1. OFF 2. ON
- S11a-d H.C.F  
1. OFF 2. ON
- S12a-d L.C.F  
1. OFF 2. ON



*JVC* Schematic Diagram



f Model 4VN-880

Subject to change without notice.